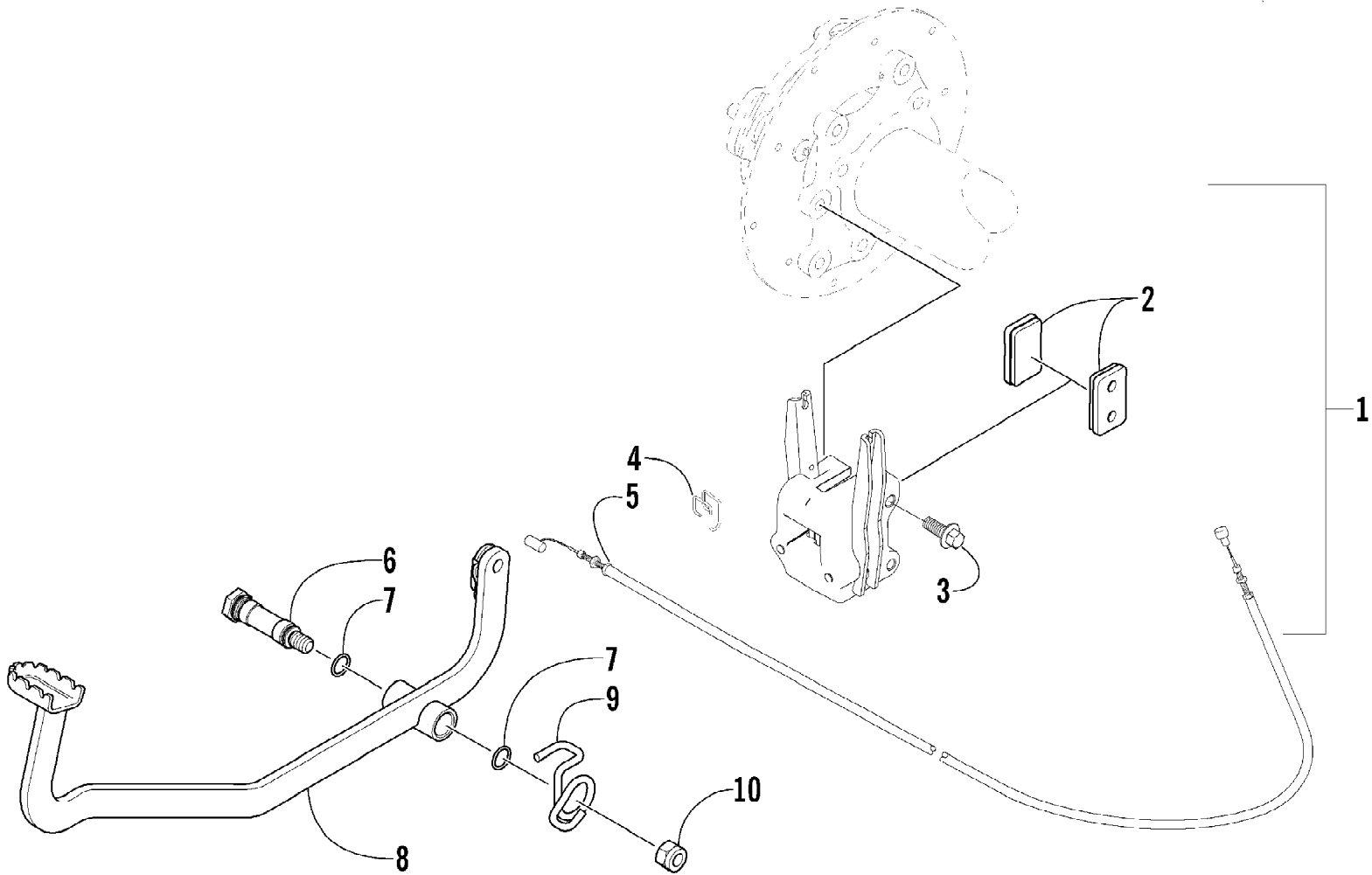


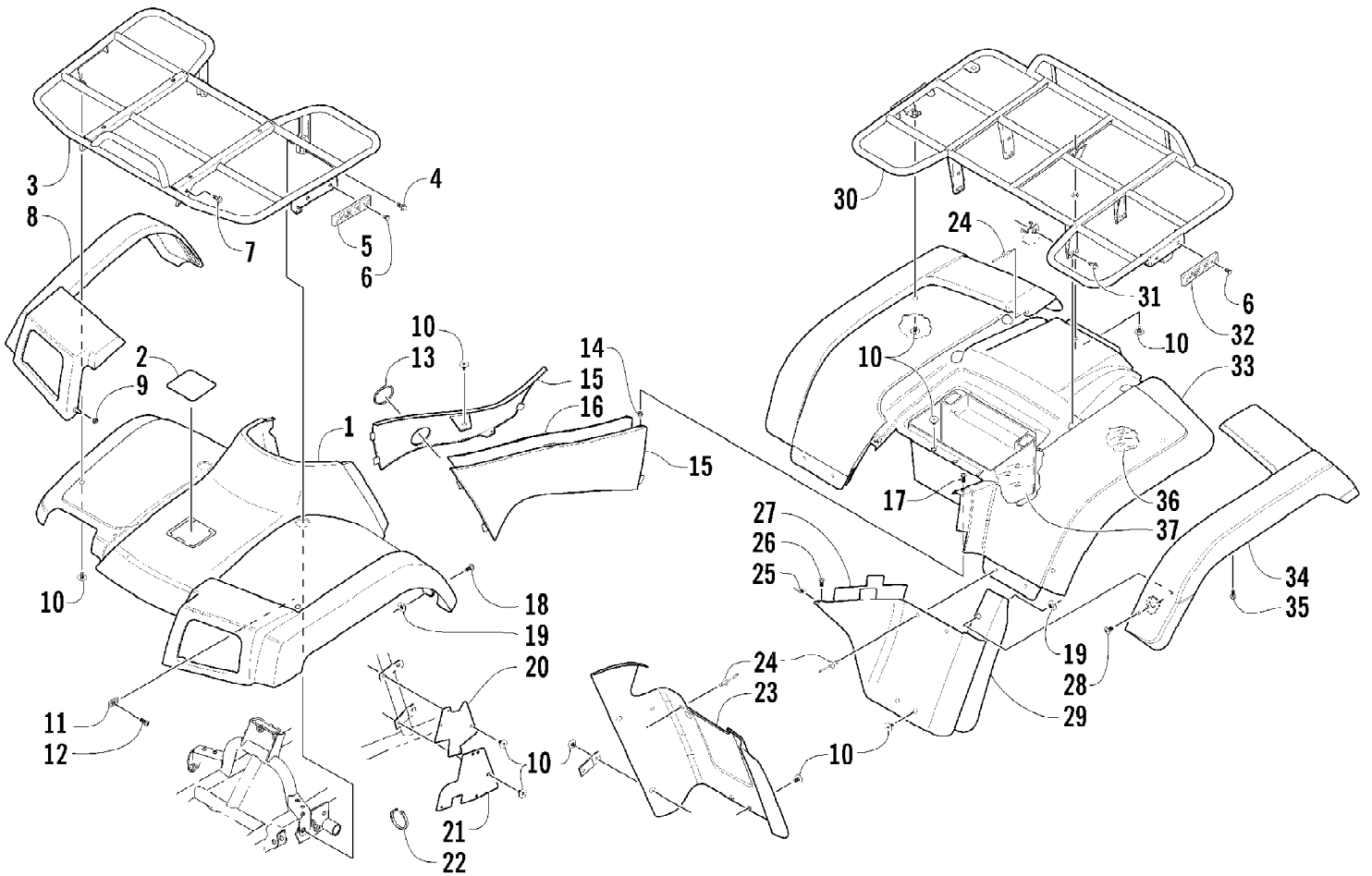
2003 ATV 400 4X4 AUTOMATIC TRANSMISSION (RED) (A2003ATH4BUSR) Page 2 of 91
 AIR INTAKE ASSEMBLY

Ref #	Part Number	Qty	S/P/F	Description
1	0423-379	1		Clamp
2	0470-456	1		Boot, Air Intake
3	0423-018	2		Clamp
4	0470-446	1	/P	Housing, Air Intake
5	0623-101	1		Clip, Retaining
6	0470-343	1		Gasket
7	0470-383	1	/P	Snorkel
8	0470-307	4		Clamp
9	0423-037	4		Spring
10	0623-121	4		Screw, Machine
11	0123-010	4	/P	Nut, Expansion
12	0410-045	1		Hose, Crankcase Vent
13	0470-391	1	/P	Filter, Air
14	0412-141	1		Shield, Heat
15	0470-442	1	/P	Valve, Drain
16	1673-272	1	/P	Cap, Drain Tube
17	0423-047	1		Clamp, Hose
18	0423-045	2		Clamp, Hose
19	0470-351	2		Support, Air Intake Flange

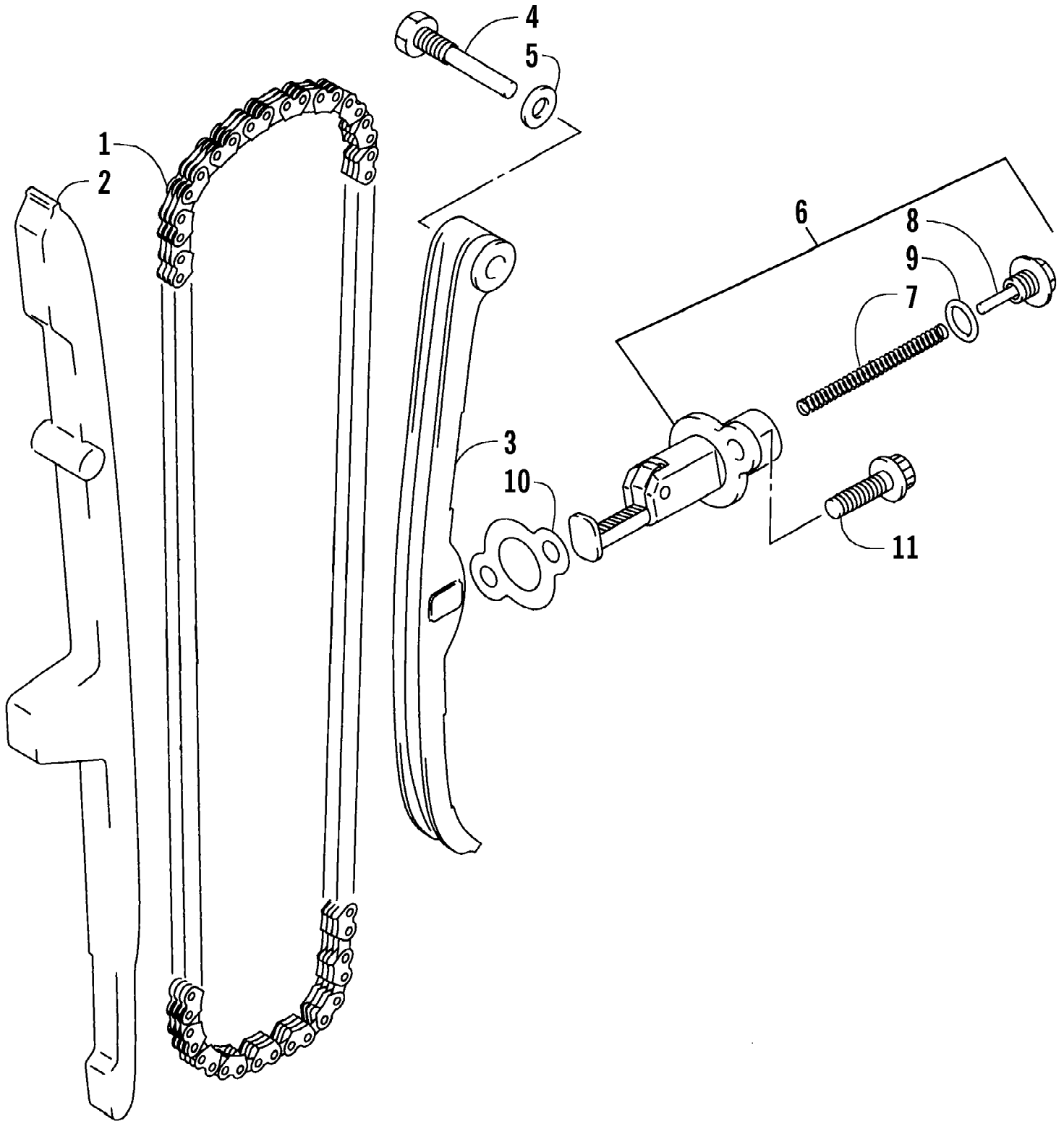


2003 ATV 400 4X4 AUTOMATIC TRANSMISSION (RED) (A2003ATH4BUSR) Page 4 of 91
AUXILIARY BRAKE ASSEMBLY

Ref #	Part Number	Qty	S/P/F	Description
1	0502-372	1	/P	Auxiliary Brake Assembly (inc. 2)
2	0402-958	2	/P	Pad, Brake
3	8408-820	2	/P	Screw, Cap
4	0402-379	1		Wire Form, Cable
5	0487-006	1		Cable, Brake - Rear
6	0402-872	1		Axle, Brake Lever
7	0423-096	2		O-Ring
8	0502-252	1		Lever, Brake
9	0502-395	1	/P	Spring, Brake Lever
10	8422-002	1		Nut

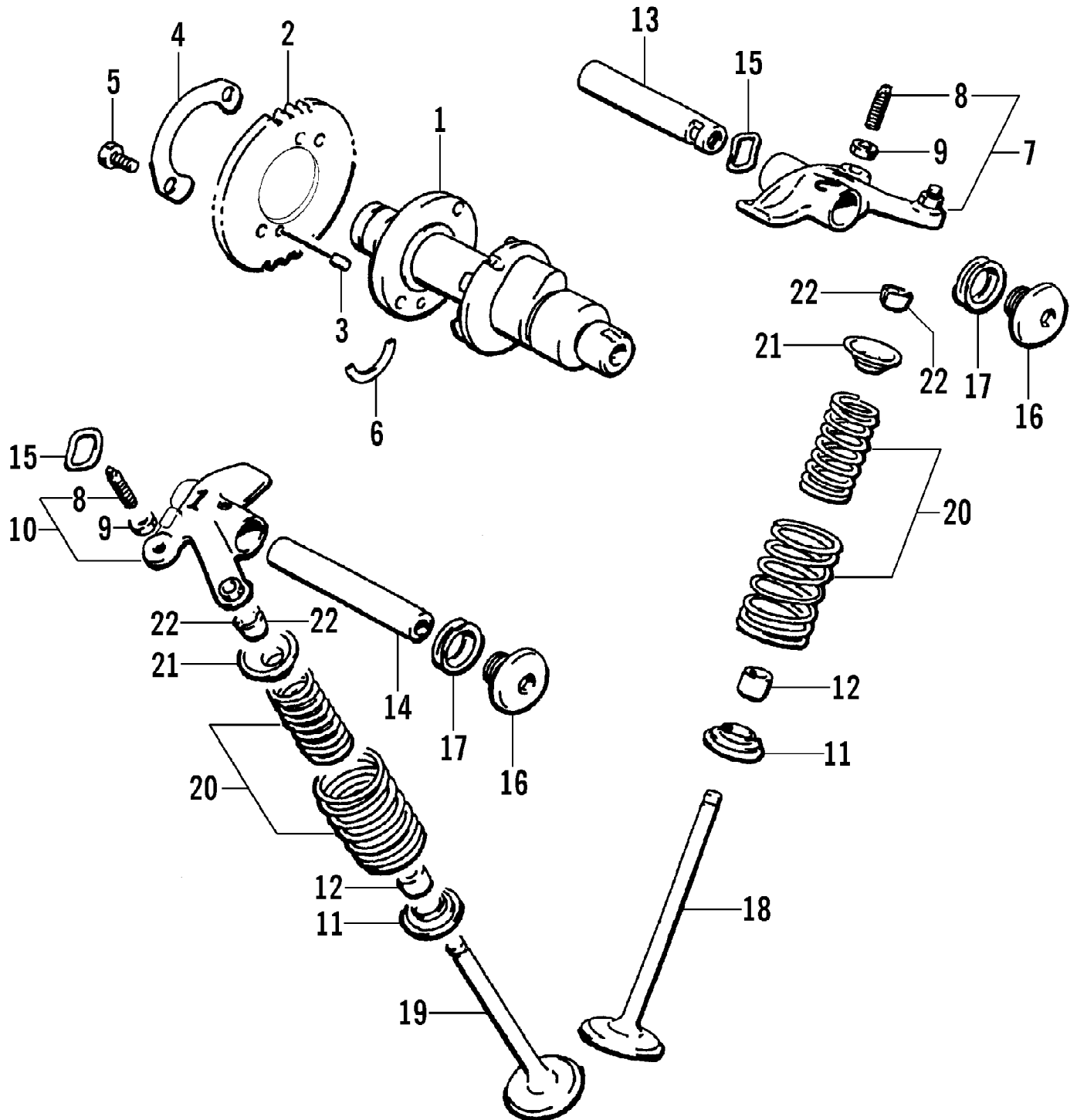


Ref #	Part Number	Qty	S/P/F	Description
1	0506-616	1		Panel, Fender - Front (inc. 2)
1	0506-584	1		Panel, Fender - Front (inc. 2) (Green)
2	1406-142	1	/P	Cover, Access
2	1406-141	1	/P	Cover, Access (Green)
3	0506-547	1		Rack - Front
4	8408-816	2		Screw, Cap
5	0606-526	2		Reflector, Front - Amber
6	0623-269	8		Clip, Retaining
7	0423-360	2		Screw, Cap
8	0506-550	1		Flare - Front - Right
8	0506-551	1		Flare - Front - Left
9	0423-357	2		Nut, Stamped
10	0423-101	AR		Screw, Body
11	0423-031	2		Nut, Speed
12	8477-616	2		Screw, Machine
13	0470-404	1		Grommet, Fuel Shut-Off Valve
14	0123-010	2	/P	Nut, Expansion
15	0506-548	1		Panel, Side - Right
15	0506-243	1		Panel, Side - Left
15	0506-549	1		Panel, Side - Right (Green)
15	0506-673	1		Panel, Side - Left (Green)
16	0412-142	1		Shield, Heat
17	0423-068	2		Screw, Machine
18	0423-356	2		Screw, Shoulder
19	0423-077	4	/P	T-Nut w/Teeth
20	1406-063	1		Panel, Fender - Inner - Right
20	1406-064	1		Panel, Fender - Inner - Left
21	1406-006	2		Panel, Fender - Inner
22	0123-788	AR	/P	Cable Tie - 7.5 in.
23	0406-941	1	/P	Panel, Kick - Right
23	0506-626	1		Panel, Kick - Left
24	0423-046	AR		Rivet, Plastic
25	0423-060	2		Clip, Tinerman
26	0623-309	2		Screw, Self-Tapping
27	0412-140	1		Shield, Heat
28	0423-355	2		Screw, Shoulder
29	0506-750	1	S	Fender Extension - Rear - Right
29	0406-085	1		Fender Extension - Rear - Left
30	0506-821	1	/P	Rack - Rear
31	8409-020	4	/P	Screw, Cap
32	0606-029	2		Reflector, Rear - Red
33	0506-620	1	S	Panel, Fender - Rear
33	0506-621	1		Panel, Fender - Rear (Green)
34	0506-552	1		Flare, Rear - Right
34	0506-553	1		Flare, Rear - Left
35	0423-342	12	/P	Screw, Self-Tapping
36	0412-124	1		Shield, Heat
37	0412-147	1		Shield, Heat



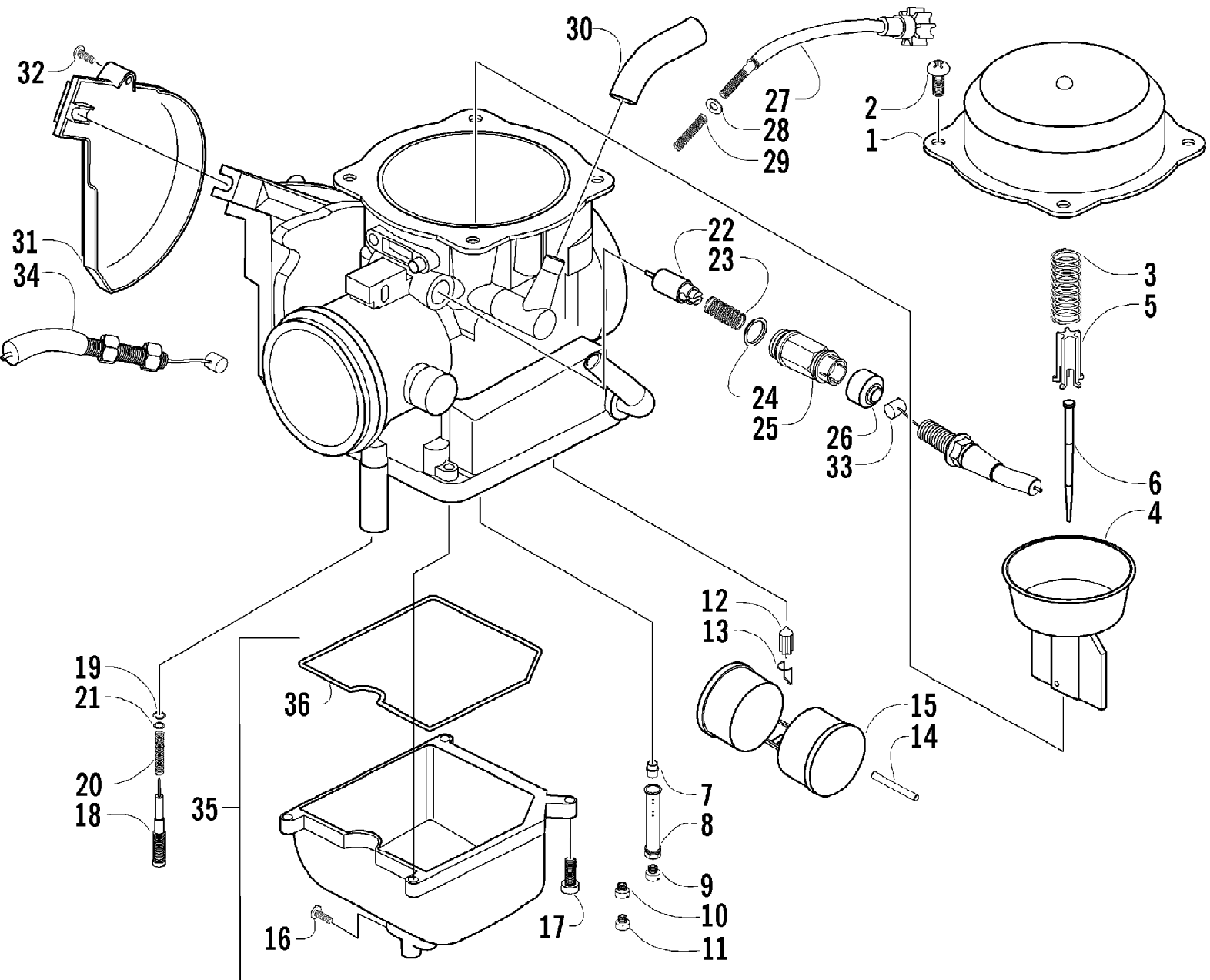
2003 ATV 400 4X4 AUTOMATIC TRANSMISSION (RED) (A2003ATH4BUSR) Page 8 of 91
CAM CHAIN ASSEMBLY

Ref #	Part Number	Qty	S/P/F	Description
1	3402-281	1		Chain, Cam
2	3402-612	1		Guide, Cam Chain
3	3402-613	1		Tensioner, Cam Chain
4	3423-074	1		Bolt
5	3003-188	1	S/P	Washer
6	3402-614	1		Adjuster, Tensioner - Assembly (inc. 7-9)
7	3423-484	1		Spring
8	3423-285	1		Plug
9	3423-286	1		O-Ring
10	3402-287	1		Gasket, Adjuster
11	3004-576	2	S	Bolt



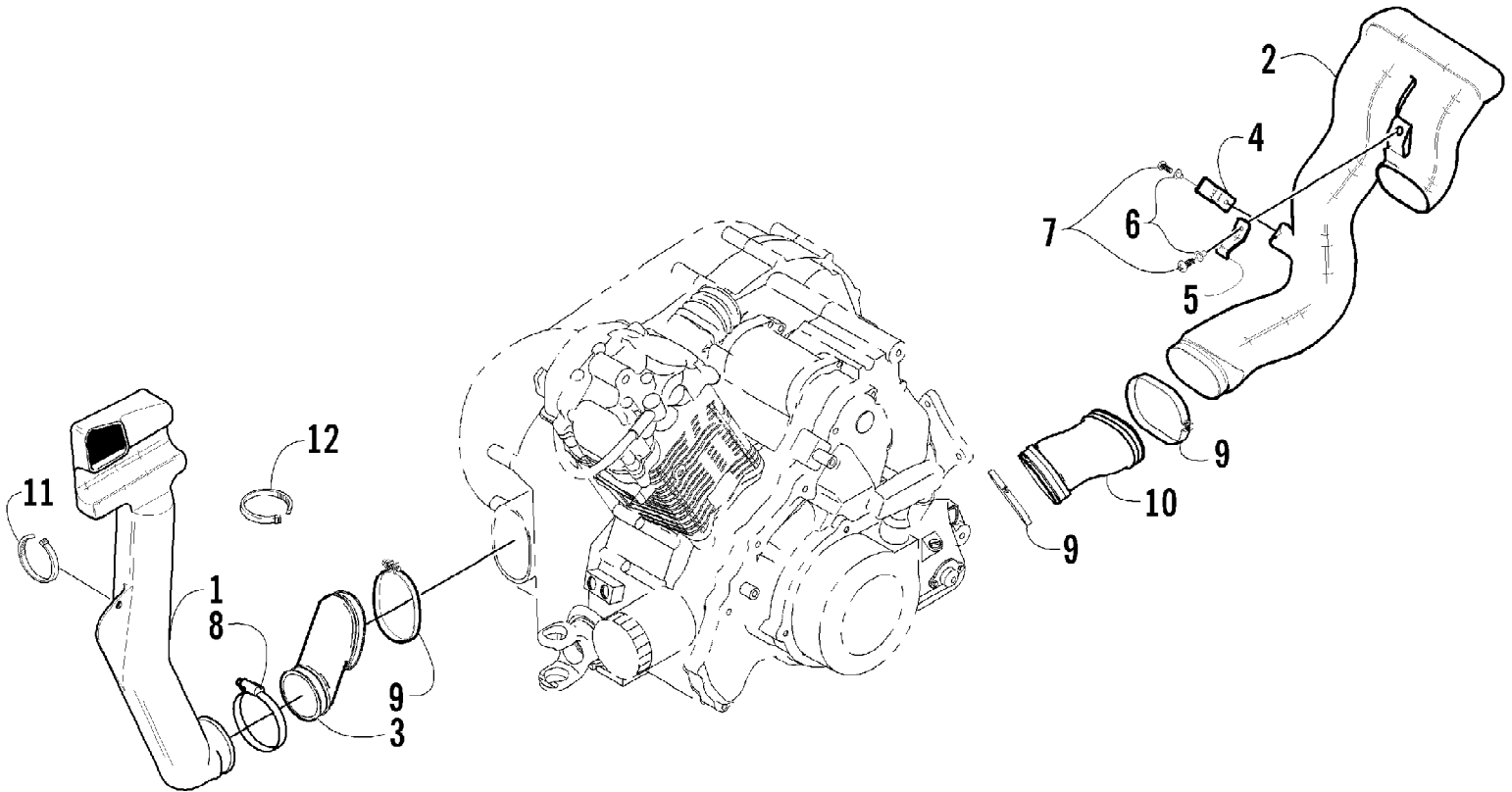
2003 ATV 400 4X4 AUTOMATIC TRANSMISSION (RED) (A2003ATH4BUSR) Page 10 of 91
CAMSHAFT/VALVE ASSEMBLY

Ref #	Part Number	Qty	S/P/F	Description
1	3402-609	1	S	Camshaft
2	3402-611	1		Sprocket
3	3423-047	1		Pin
4	3423-073	1		Washer
5	3423-013	2	S	Bolt
6	3423-071	1	/P	C-Ring
7	3402-532	1	S	Arm, Valve Rocker - Intake (inc. two No. 8-9)
8	3423-075	4		Screw
9	3423-076	4		Nut
10	3402-139	1		Arm, Valve Rocker - Exhaust (inc. two No. 8-9)
11	3402-148	4		Seat, Spring
12	3402-078	4		Seal, Oil
13	3402-140	1		Shaft, Rocker Arm
14	3402-141	1		Shaft, Rocker Arm
15	3423-031	2		Washer
16	3402-040	2	/P	Plug, Shaft
17	3402-012	2		Gasket
18	3402-142	2	S	Valve, Intake
19	3402-143	2		Valve, Exhaust
20	3402-144	4		Spring, Valve - Set
21	3402-146	4	S	Retainer, Spring
22	3402-147	8		Cotter, Valve



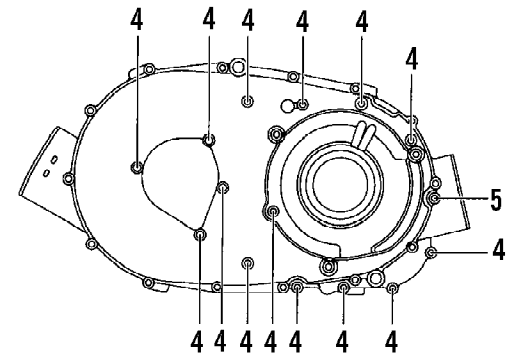
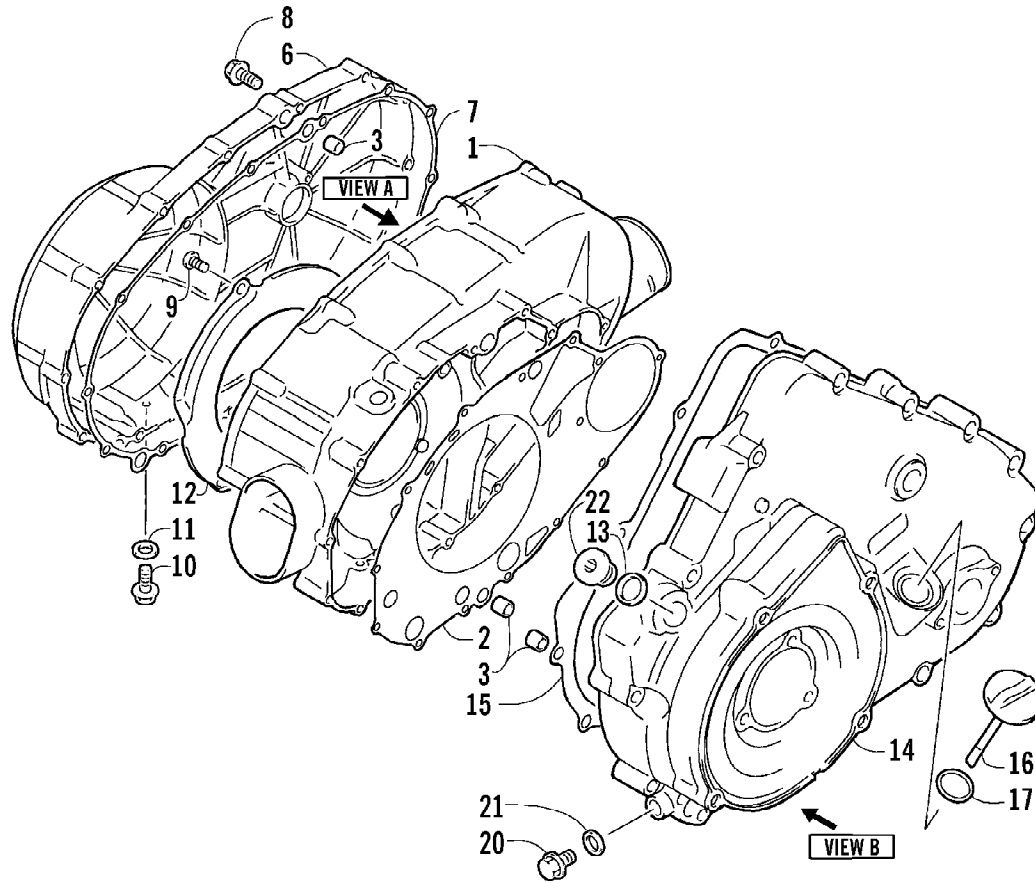
2003 ATV 400 4X4 AUTOMATIC TRANSMISSION (RED) (A2003ATH4BUSR) Page 12 of 91
CARBURETOR

Ref #	Part Number	Qty	S/P/F	Description
	0470-454	1		Complete Assembly
1	5507-001	1		Cover, Top
2	5507-002	3	/P	Screw, Top Cover
3	5507-052	1		Spring
4	5507-053	1		Piston, Vacuum
5	5507-054	1		Spring, Seat
6	5507-080	1		Jet Needle
7	5507-056	1		Needle Jet
8	5507-047	1	/P	Holder, Needle Jet
9	5507-009	1	/P	Main Jet - 150
9	5507-041	1	F	Main Jet - 147
9	5507-042	1	/P/F	Main Jet - 145
9	5507-043	1	F	Main Jet - 142
9	5507-044	1	F	Main Jet - 140
10	5507-010	1	S	Slow Jet
11	5507-090	1		Starter Jet - 60
12	5507-038	1		Valve, Float - Set (inc. 13)
13	0	1	F	Clip
14	0	1	F	Pin, Float
15	5507-039	1		Float Set (inc. 14)
16	5507-050	1	/P	Screw, Drain
17	5507-089	4	S	Screw
18	5507-040	1		Screw, Pilot Air - Set (inc. 19-21)
19	0	1	F	O-Ring
20	0	1	F	Spring
21	0	1	F	Washer
22	5507-022	1		Valve, Starter
23	5507-023	1		Spring
24	5507-024	1		O-Ring
25	5507-025	1		Cap
26	5507-026	1		Cap, Rubber
27	5507-027	1		Screw, Idle Adjust
28	5507-028	1		Washer
29	5507-029	1		Spring
30	5507-083	1	/P	Tube, Vinyl
31	5507-036	1		Cover
32	5507-037	1	/P	Screw
33	0487-016	1		Cable, Choke
34	0487-021	1	S	Cable, Throttle
35	5507-064	1		Chamber, Float - Assembly (inc. 16 and 36)
36	5507-068	1		O-Ring, Float Chamber

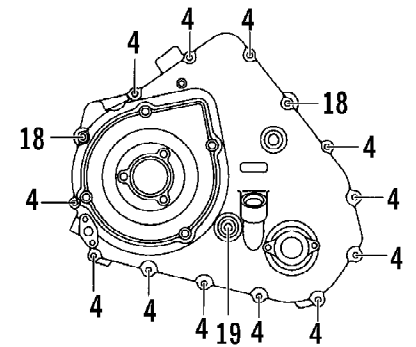


2003 ATV 400 4X4 AUTOMATIC TRANSMISSION (RED) (A2003ATH4BUSR) Page 14 of 91
CASE/BELT COOLING ASSEMBLY

Ref #	Part Number	Qty	S/P/F	Description
1	0413-042	1		Duct, Belt Cooling - Front
2	0413-051	1		Duct, Belt Cooling - Rear
3	0413-048	1		Boot, Belt Cooling - Front
4	0423-365	1		Clip, Mounting
5	0423-364	1		Clip, Mounting
6	0123-010	2	/P	Nut, Expansion
7	0623-121	2		Screw, Machine
8	0423-380	1	/P	Clamp, Boot
9	3402-449	3	/P	Clamp, Duct
10	0413-050	1		Boot, Belt Cooling - Rear
11	0123-788	1	/P	Cable Tie - 7.5 in.
12	0123-903	1		Cable Tie - 11.5 in. REAR AXLE ASSEMBLY REAR AXLE ASSEMBLY 0737-576



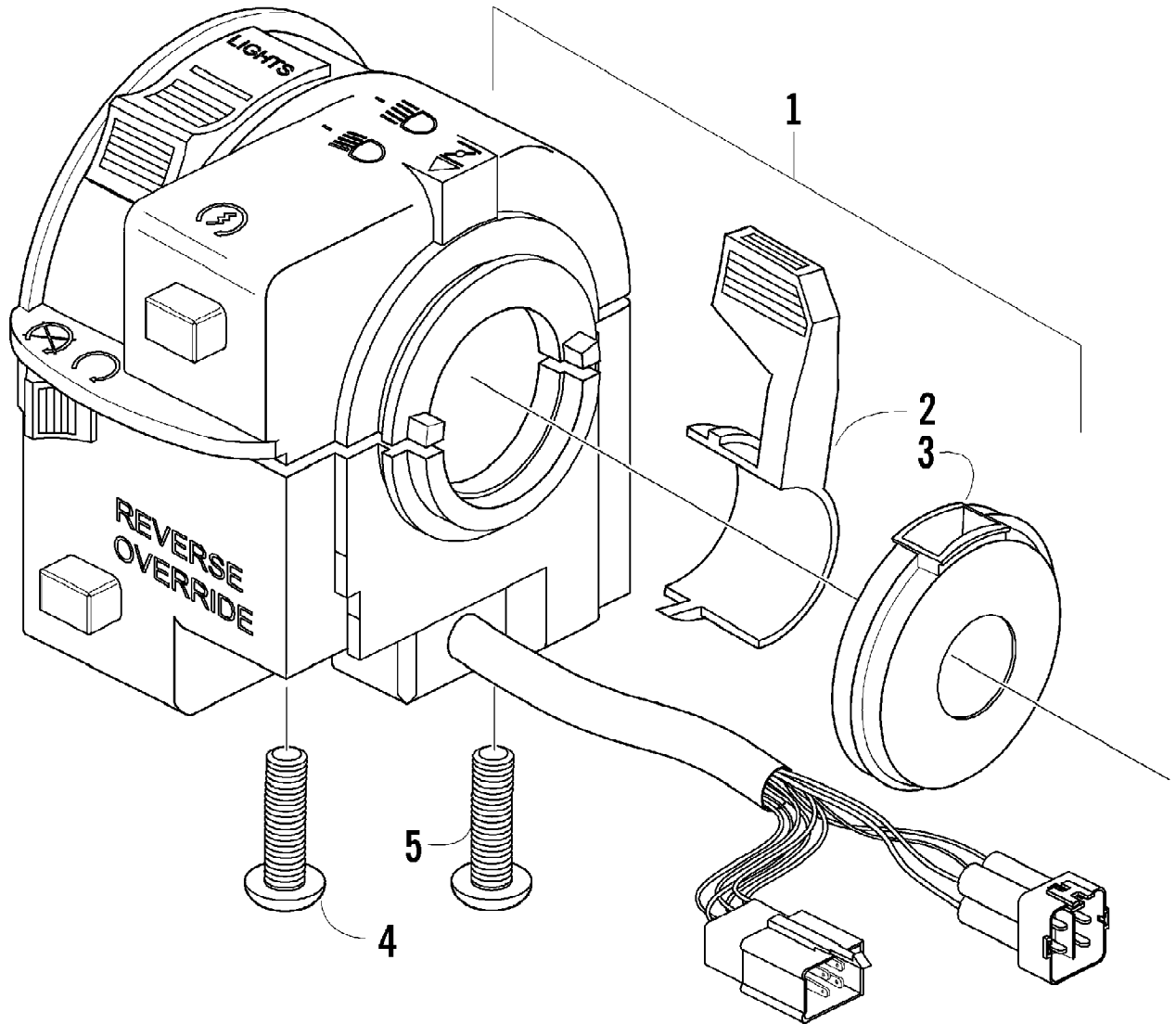
VIEW A



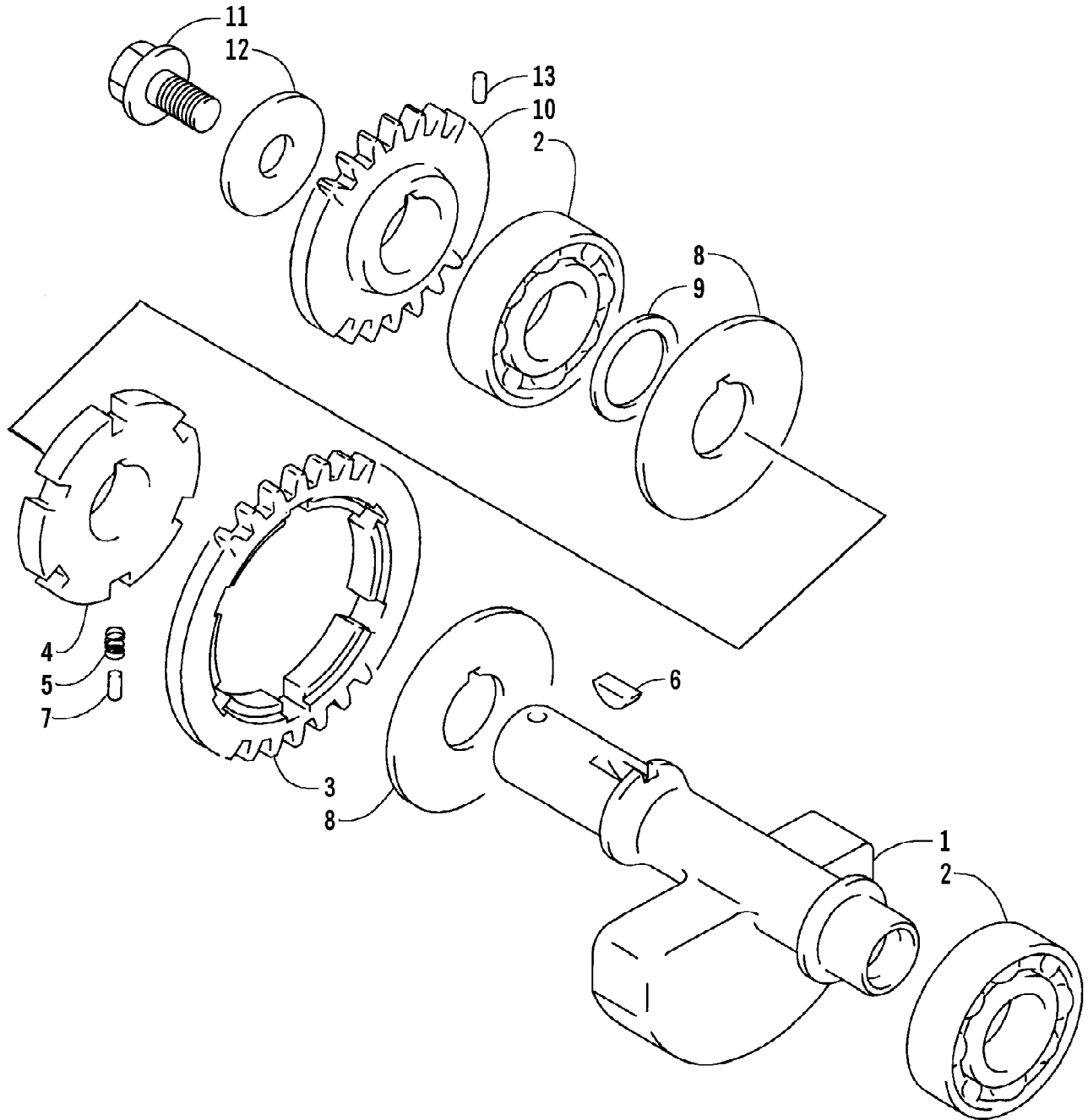
VIEW B

2003 ATV 400 4X4 AUTOMATIC TRANSMISSION (RED) (A2003ATH4BUSR) Page 16 of 91
CLUTCH/V-BELT/MAGNETO COVER ASSEMBLY

Ref #	Part Number	Qty	S/P/F	Description
1	3402-583	1		Cover, Clutch
2	3402-589	1		Gasket
3	3423-088	6		Pin, Dowel
4	3423-098	26	S	Bolt
5	3423-392	1		Bolt
6	3402-586	1		Cover, V-Belt
7	3402-591	1		Gasket, V-Belt Cover
8	0693-327	14	S	Bolt
9	3004-552	3	S	Screw
10	3004-705	1	S	Plug, Drain
11	3402-444	1		Gasket, Drain Plug
12	3402-445	1		Plate, Air Intake
13	3402-013	1	/P	Gasket
14	3402 -585	1		Cover, Magneto
15	3402-590	1		Gasket, Magneto Cover
16	3402-593	1		Stick, Oil Level
17	3423-055	1		O-Ring, Oil Level Stick
18	3423-307	2	S	Bolt
19	3423-430	1		Bolt
20	3004-630	1	S	Plug, Oil Gallery
21	3402-444	1		Gasket
22	3402-341	1		Plug

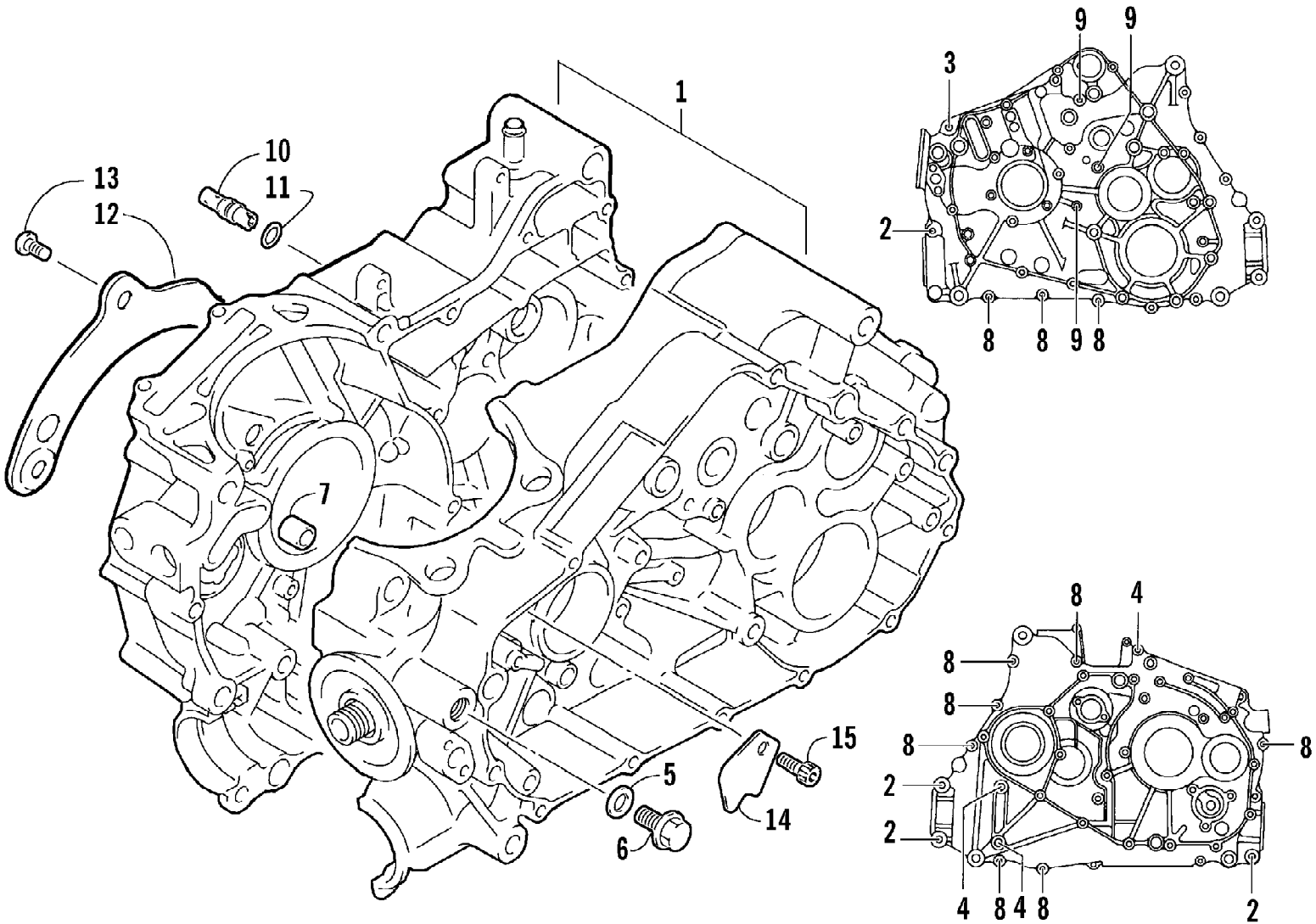


Ref #	Part Number	Qty	S/P/F	Description
1	0409-022	1		Switch, Control - Assembly (inc. 2-5)
2	0409-025	1		Lever, Choke
3	0409-026	1		Cover, Choke Lever
4	0409-027	1		Screw, Cap
5	0409-028	1		Screw



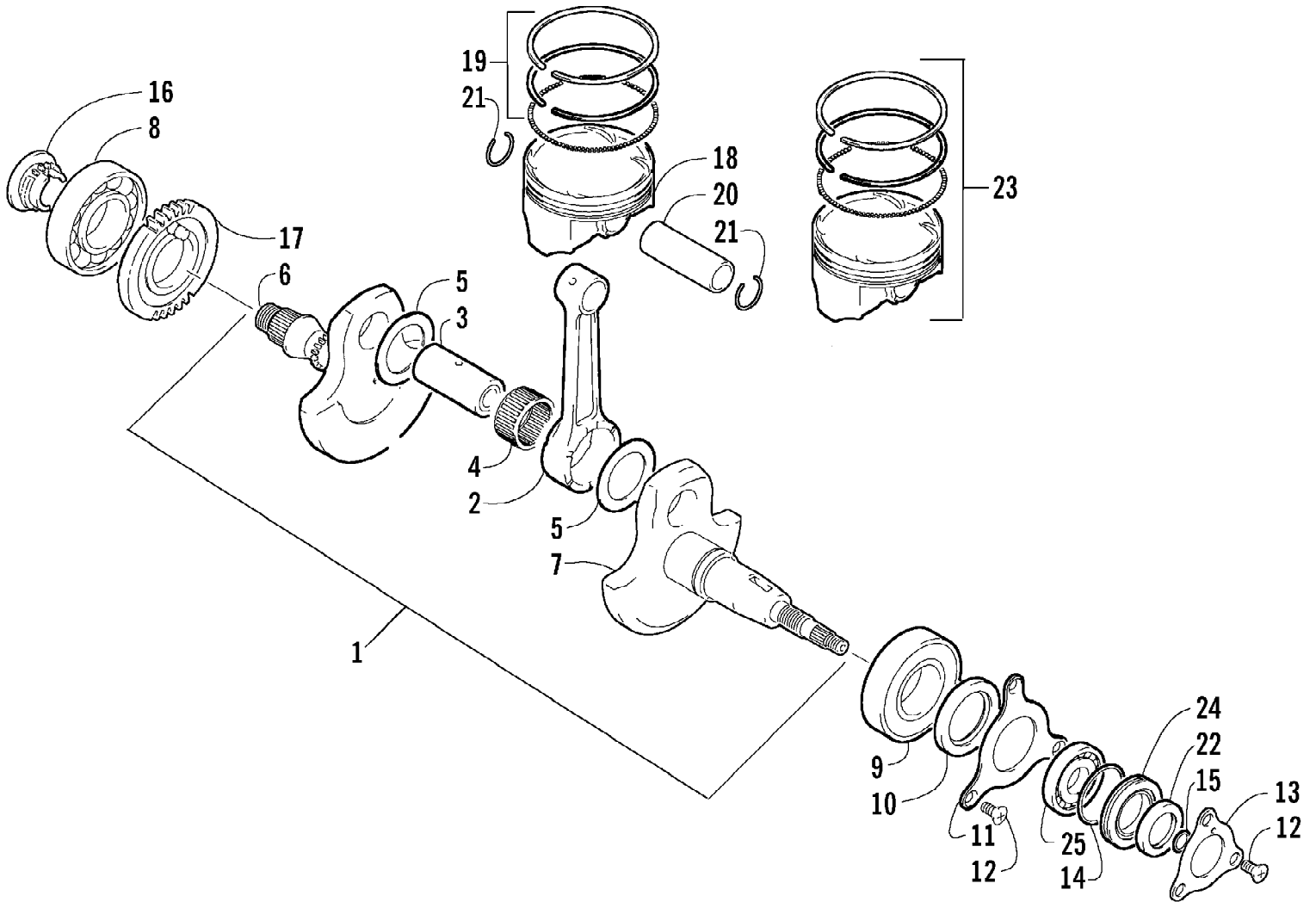
2003 ATV 400 4X4 AUTOMATIC TRANSMISSION (RED) (A2003ATH4BUSR) Page 20 of 91
CRANK BALANCER ASSEMBLY

Ref #	Part Number	Qty	S/P/F	Description
1	3402-605	1		Balancer, Crank
2	3402-553	2	/P	Bearing
3	3402-607	1		Gear, Driven - No. 1
4	3402-608	1		Gear, Driven - No. 2
5	3402-090	2		Spring, Driven Gear
6	3004-540	1	/P	Key
7	3423-106	3	/P	Pin, Driven Gear
8	3423-441	2		Washer, Driven Gear
9	3423-446	1		Washer, Driven Gear No. 2
10	3402-617	1		Gear, Oil Pump Drive
11	3423-400	1		Bolt, Drive Gear
12	3423-401	1		Washer, Drive Gear
13	3423-110	1		Pin, Drive Gear



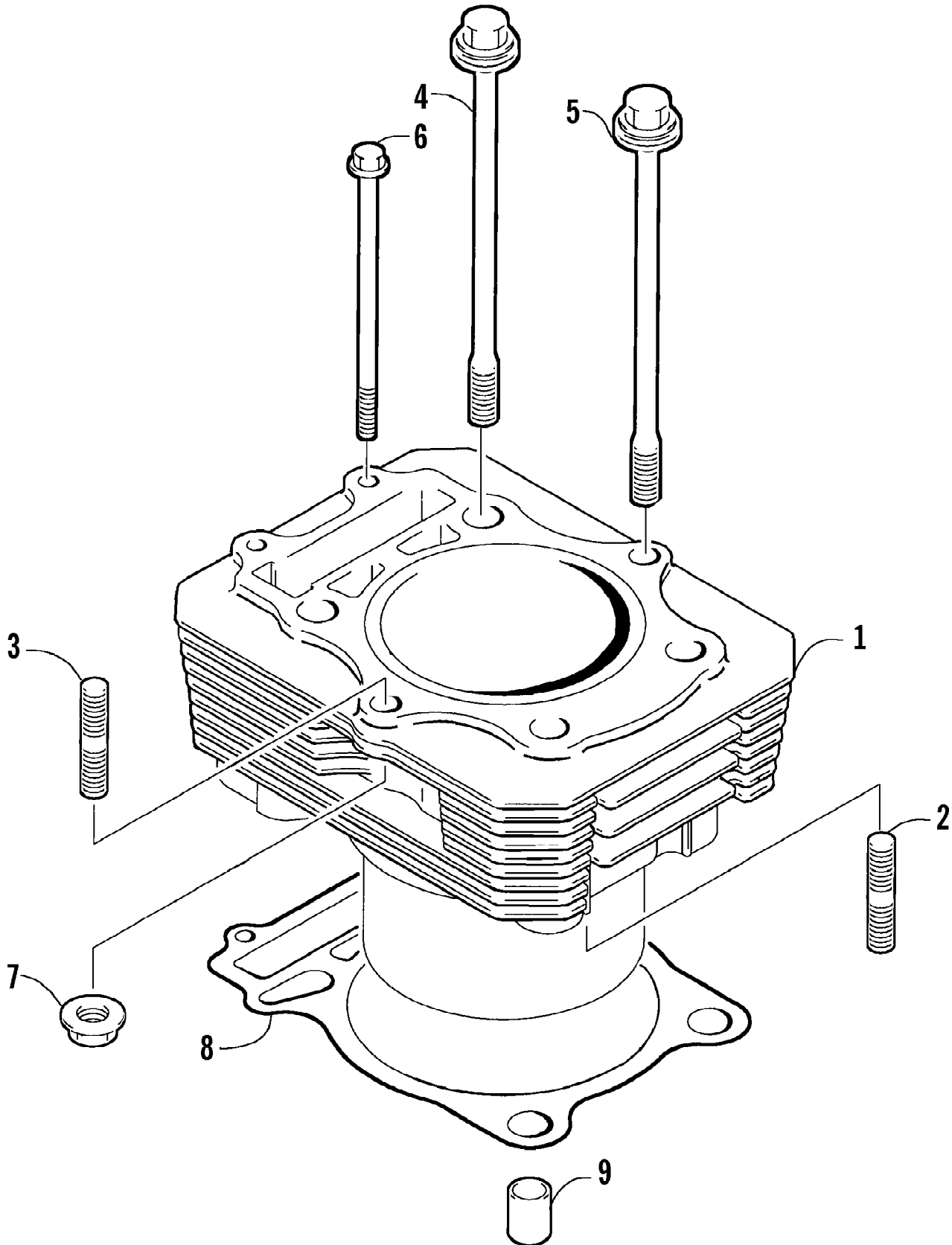
2003 ATV 400 4X4 AUTOMATIC TRANSMISSION (RED) (A2003ATH4BUSR) Page 22 of 91
CRANKCASE ASSEMBLY

Ref #	Part Number	Qty	S/P/F	Description
1	3402-580	1		Crankcase Assembly (inc. 2-9)
2	3004-880	4		Bolt
3	3005-332	1		Bolt
4	3005-310	3	S	Bolt
5	3402-012	1		Gasket, Oil Pressure Plug
6	3402-214	1		Plug, Oil Pressure
7	3423-088	2		Pin, Dowel
8	3423-091	10	S	Bolt
9	3423-097	3		Bolt
10	3402-691	1		Jet, Oil Gallery
11	3423-051	1		O-Ring, Oil Gallery Jet
12	3402-581	1		Plate, Oil Guide - Right
13	3004-552	1	S	Screw, Oil Guide Plate - Right
14	3402-582	1		Plate, Oil Guide - Left
15	3423-121	1	S	Bolt, Oil Guide Plate - Left



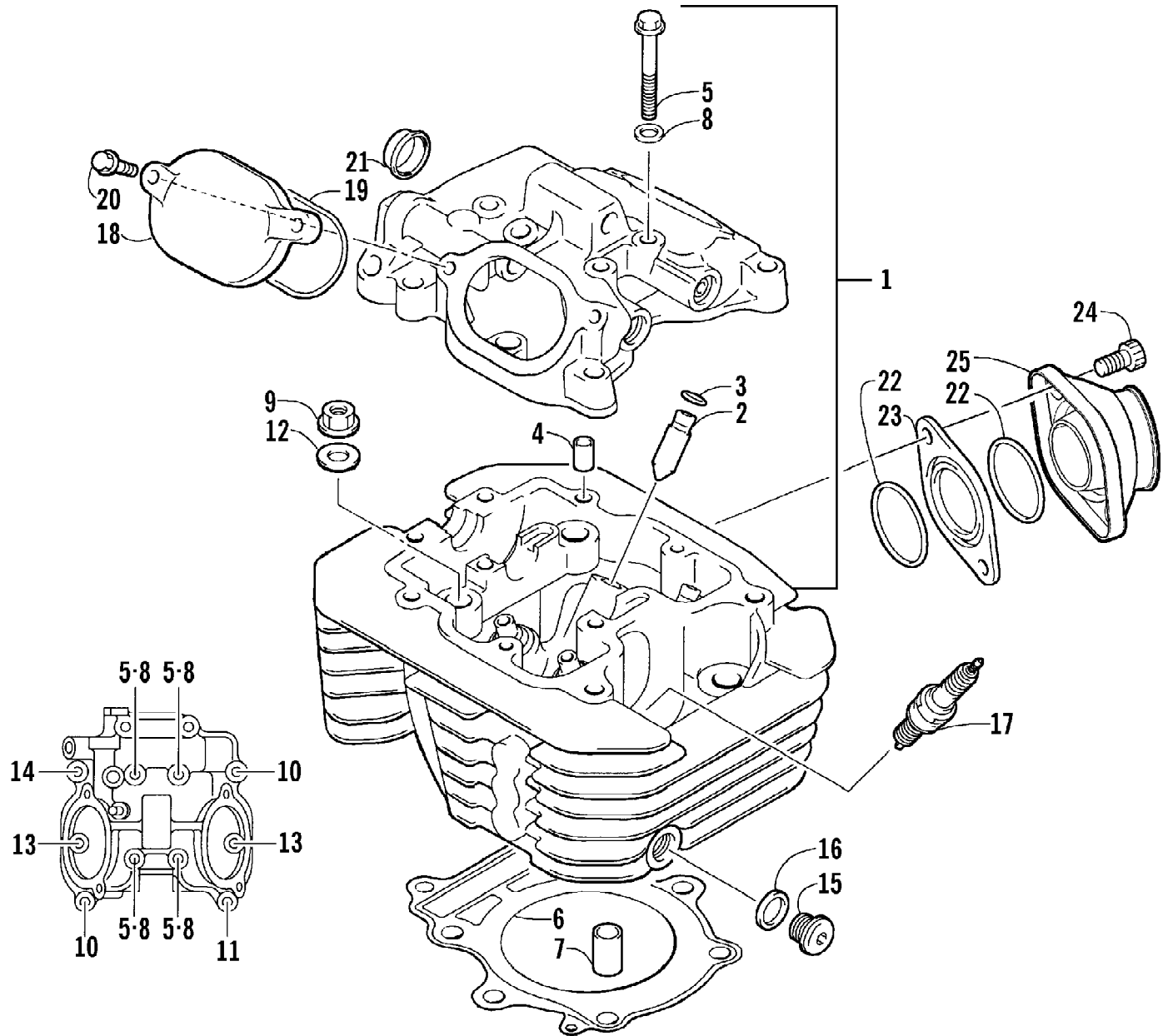
2003 ATV 400 4X4 AUTOMATIC TRANSMISSION (RED) (A2003ATH4BUSR) Page 24 of 91
CRANKSHAFT ASSEMBLY

Ref #	Part Number	Qty	S/P/F	Description
1	3402-598	1	S	Crankshaft Assembly (inc. 2-7)
2	3402-597	1		Rod, Connecting
3	3402-599	1		Pin, Crank
4	3402-571	1		Bearing
5	3423-440	2		Washer
6	3402-600	1	S	Crankshaft - Right
7	3402-601	1		Crankshaft - Left
8	3402-180	1	S	Bearing - Right
9	3402-566	1		Bearing - Middle
10	3402-573	1		Seal, Crankshaft Oil
11	3402-602	1		Retainer, Crankshaft Oil Seal - Middle
12	3423-018	6		Screw, Retainer
13	3402-188	1	/P	Retainer, Crankshaft Oil Seal - Left
14	3423-063	1		O-Ring
15	3423-053	1	/P	O-Ring
16	3402-610	1		Sprocket, Cam Chain Drive
17	3402-606	1	S	Gear, Crank Balancer Drive
18	3402-594	1		Piston
19	3402-595	1		Ring, Piston - Set
20	3402-596	1		Pin, Piston
21	3003-439	2	/P	Circlip
22	3402-070	1		Seal, Oil
23	3436-015	1	F	Piston Set (Oversized 0.50 mm)
24	3402-119	1	S	Spacer
25	3402-051	1		Bearing



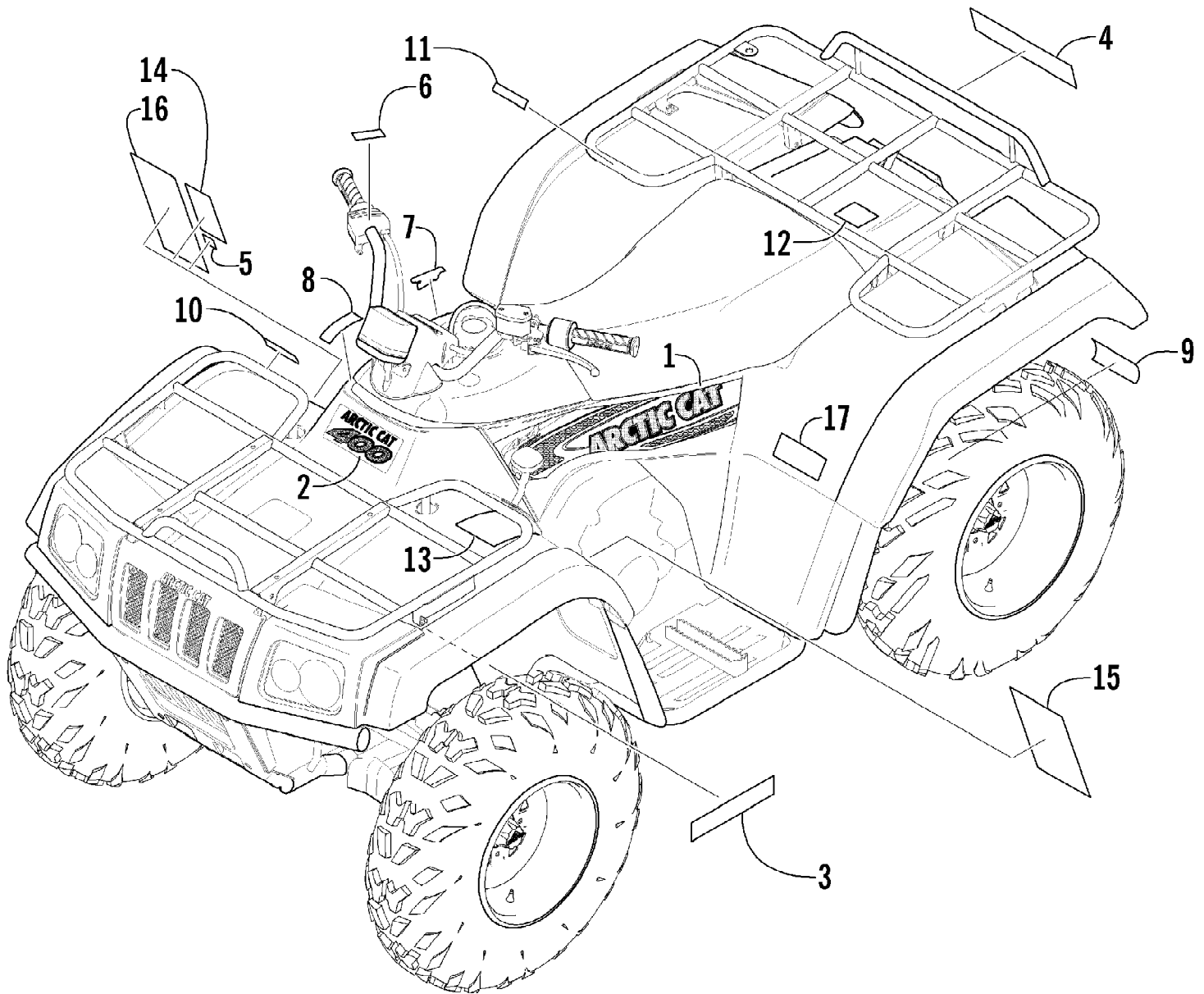
2003 ATV 400 4X4 AUTOMATIC TRANSMISSION (RED) (A2003ATH4BUSR) Page 26 of 91
CYLINDER ASSEMBLY

Ref #	Part Number	Qty	S/P/F	Description
1	3402-578	1	S	Cylinder
2	3423-384	2	S	Bolt, Stud
3	3004-778	2	S	Bolt, Stud
4	3423-431	2		Bolt
5	3423-432	2		Bolt
6	3423-427	2		Bolt
7	3004-488	2	S/P	Nut
8	3402-579	1		Gasket, Cylinder
9	3423-088	2		Pin, Dowel

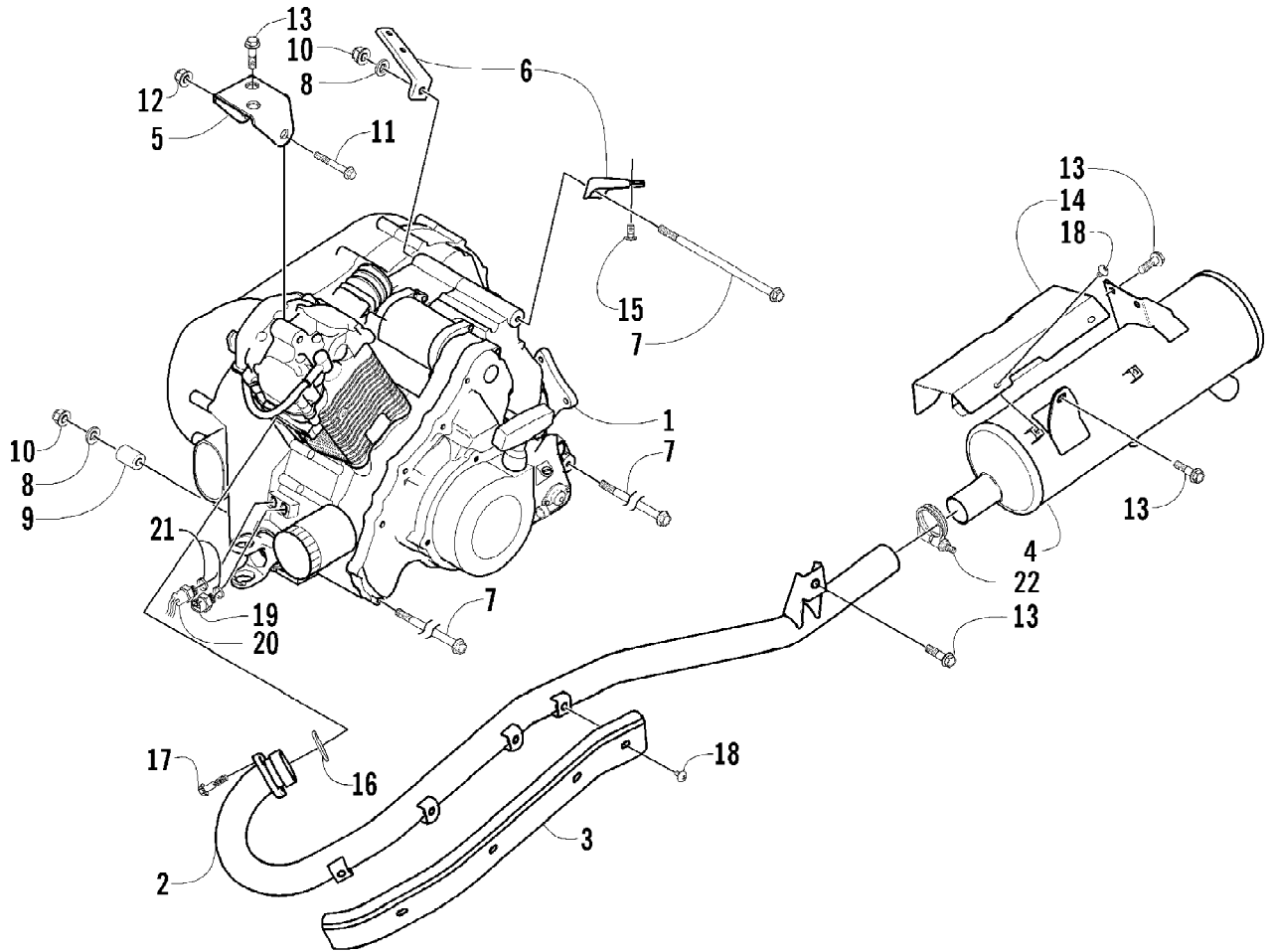


2003 ATV 400 4X4 AUTOMATIC TRANSMISSION (RED) (A2003ATH4BUSR) Page 28 of 91
CYLINDER HEAD ASSEMBLY

Ref #	Part Number	Qty	S/P/F	Description
1	3402-576	1	S	Head, Cylinder - Assembly (inc. 2-5)
2	3402-099	2		Guide, Valve
3	3423-068	4		Ring, Valve Guide
4	3423-043	2	/P	Pin, Dowel
5	3423-006	4		Bolt
6	3402-577	1		Gasket, Cylinder Head
7	3423-449	2		Pin, Dowel
8	3003-290	4	/P	Gasket
9	3004-326	2	S/P	Nut, Cylinder Head
10	3423-007	2	S	Bolt, Head Cover
11	3423-429	1		Bolt, Head Cover
12	3423-439	4	S	Washer, Cylinder Head Nut
13	3004-376	2	S/P	Bolt, Head Cover
14	3008-376	1	S	Bolt, Head Cover
15	3423-453	1		Plug, Oil Gallery
16	3402-011	1		Gasket, Oil Gallery Plug
17	0217-708	1		Spark Plug (NGK CR7E)
18	3402-100	2		Cap, Inspection
19	3402-101	2		O-Ring
20	3004-341	4	S/P	Bolt, Inspection Cap
21	3402-035	1		Plug, Head
22	3423-353	2	/P	O-Ring
23	3402-616	1		Insulator, Intake Manifold
24	3004-893	2		Screw
25	0570-067	1	S	Manifold, Intake
	3402-048	1	F	Plug, Frost

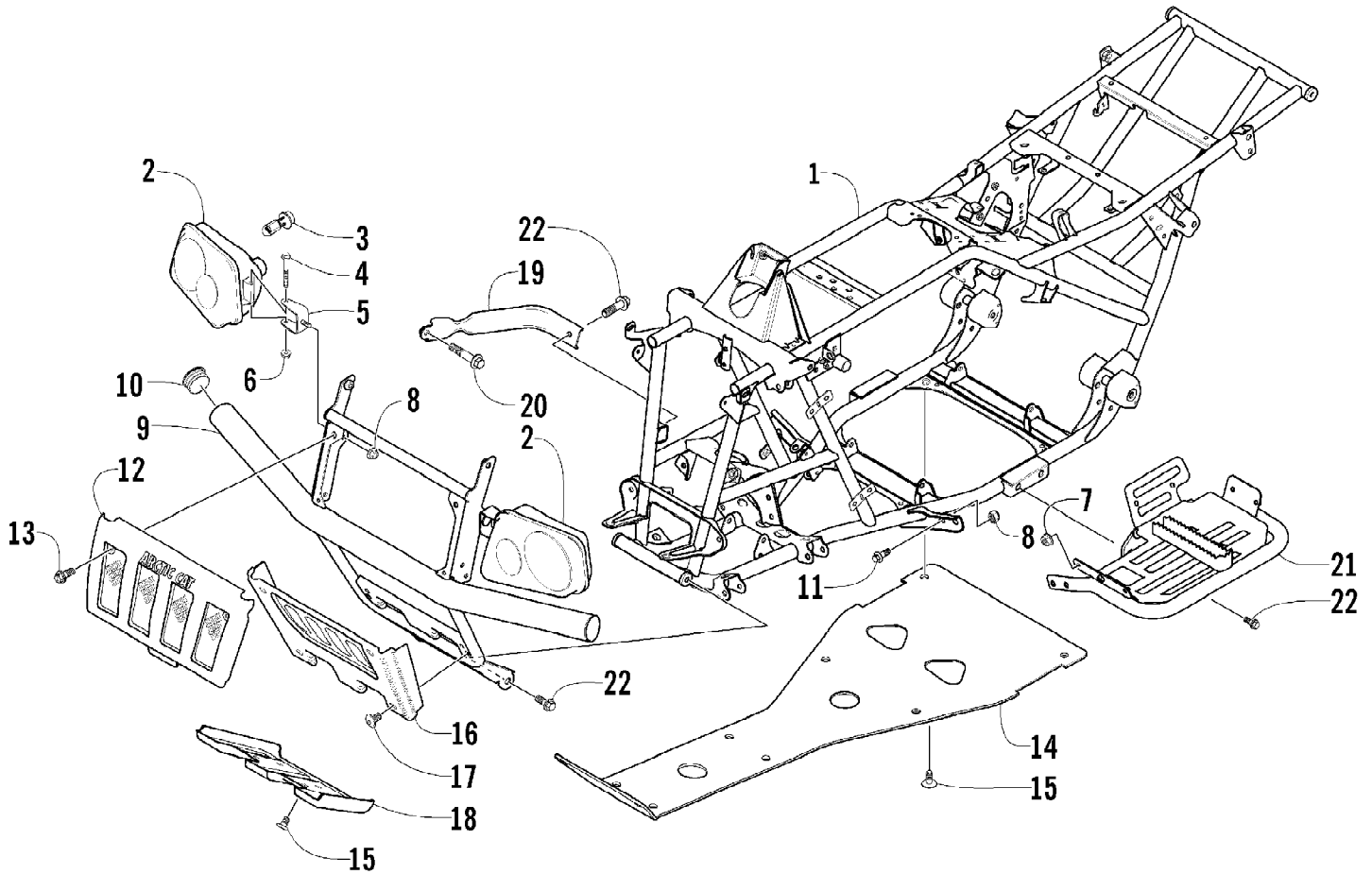


Ref #	Part Number	Qty	S/P/F	Description
1	0411-523	1		Decal, Side - Right
1	0411-524	1		Decal, Side - Left
1	0411-521	1		Decal, Side - Right (Green)
1	0411-522	1		Decal, Side - Left (Green)
2	0411-530	1		Decal, Front
2	0411-529	1	/P	Decal, Front (Green)
3	0411-504	1		Decal, CA Emissions
4	0411-501	1		Decal, "Arctic Cat"
5	0411-011	1		Decal, Caution - Electrical
6	0411-324	1		Decal, Instruction - Start In Gear
7	0411-507	1		Decal, "Duramatic"
8	0411-426	1		Decal, Warning - Clutch Cover
9	0411-267	1		Decal, Warning - Towing
10	0411-006	1		Decal, Warning - Front Rack Load
11	0411-007	1		Decal, Warning - Rear Rack Load
12	0411-435	1		Decal, Warning - Passenger
13	0411-401	1		Decal, Warning - Age
14	0411-008	1	/P	Decal, Warning - Reverse/Pre-Ride
15	0411-218	1		Decal, Warning - General
16	0411-045	1		Decal, Warning - Turn
17	0411-430	1		Decal, Warning - Tire Pressure



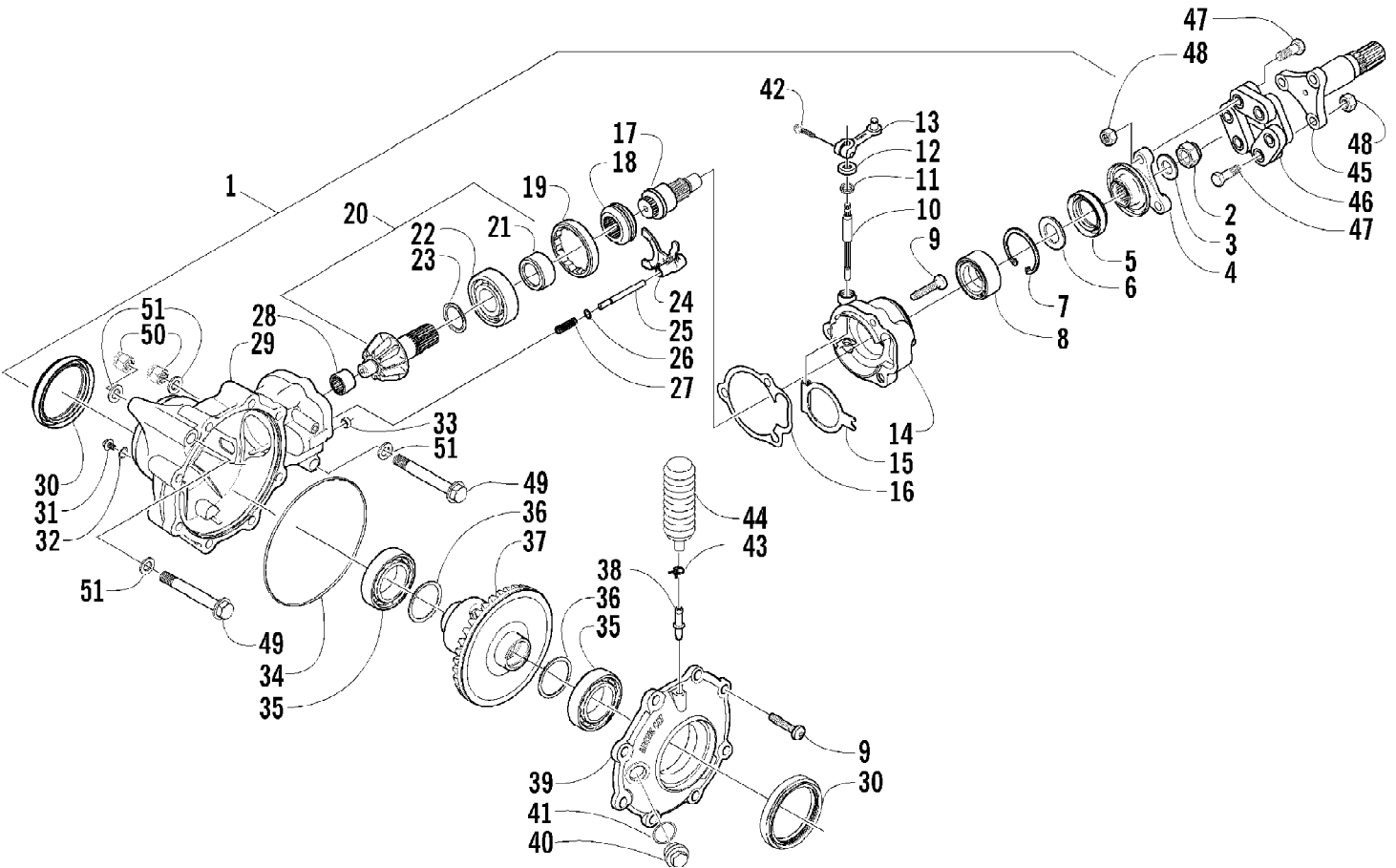
2003 ATV 400 4X4 AUTOMATIC TRANSMISSION (RED) (A2003ATH4BUSR) Page 32 of 91
ENGINE AND EXHAUST

Ref #	Part Number	Qty	S/P/F	Description
1	0462-017	1	/P	Engine
2	0512-040	1		Pipe, Exhaust
3	0412-112	1		Cover, Exhaust
4	0412-182	1		Muffler
5	0506-631	1		Bracket, Engine - Upper
6	0506-983	1	/P	Bracket, Engine - Right
6	0506-984	1	/P	Bracket, Engine - Left
7	3423-009	3	/P	Screw, Cap
8	0423-050	4		Washer
9	0423-042	2	S	Spacer
10	8428-002	3		Nut, Lock
11	8408-860	1		Screw, Cap
12	8424-802	1		Nut
13	8408-816	6		Screw, Cap
14	1406-023	1		Cover, Muffler
15	8408-616	4		Screw, Cap
16	0412-007	1	/P	Seal, Exhaust
17	8408-820	2	/P	Screw, Cap
18	8477-610	9		Screw, Machine
19	3430-033	1		Switch, Cooling Fan
20	3530-037	1	/P	Switch, Oil Light
21	3402-556	2	/P	Gasket, Switch
22	0423-150	1		Clamp, Exhaust



2003 ATV 400 4X4 AUTOMATIC TRANSMISSION (RED) (A2003ATH4BUSR) Page 34 of 91
FRAME AND RELATED PARTS

Ref #	Part Number	Qty	S/P/F	Description
1	0506-816	1		Frame, Main
2	0409-032	2		Headlight Assembly - Right (inc. 3-6)
2	0409-031	2		Headlight Assembly - Left (inc. 3-6)
3	0409-045	4		Bulb, Headlight
4	8410-860	2		Screw, Cap
5	0406-945	2		Bracket, Headlight Mounting
6	0423-375	2		Nut, Lock
7	8424-602	2	/P	Nut
8	8424-802	6		Nut
9	0506-544	1		Bumper
10	0406-130	2		Cap, Bumper
11	8408-816	4		Screw, Cap
12	0406-832	1		Grille, Upper
13	0423-361	2		Screw, Machine
14	0406-864	1		Panel, Belly
15	0423-101	AR		Screw, Shoulder
16	0406-833	1	S	Grille, Lower
17	0423-362	4		Screw, Machine
18	0406-834	1		Plate, Skid
19	0506-653	2	S	Channel, Bumper Mounting
20	8408-812	2		Screw, Cap
21	0506-534	1		Footrest - Right
21	0506-728	1		Footrest - Left
22	8409-020	8	/P	Screw, Cap

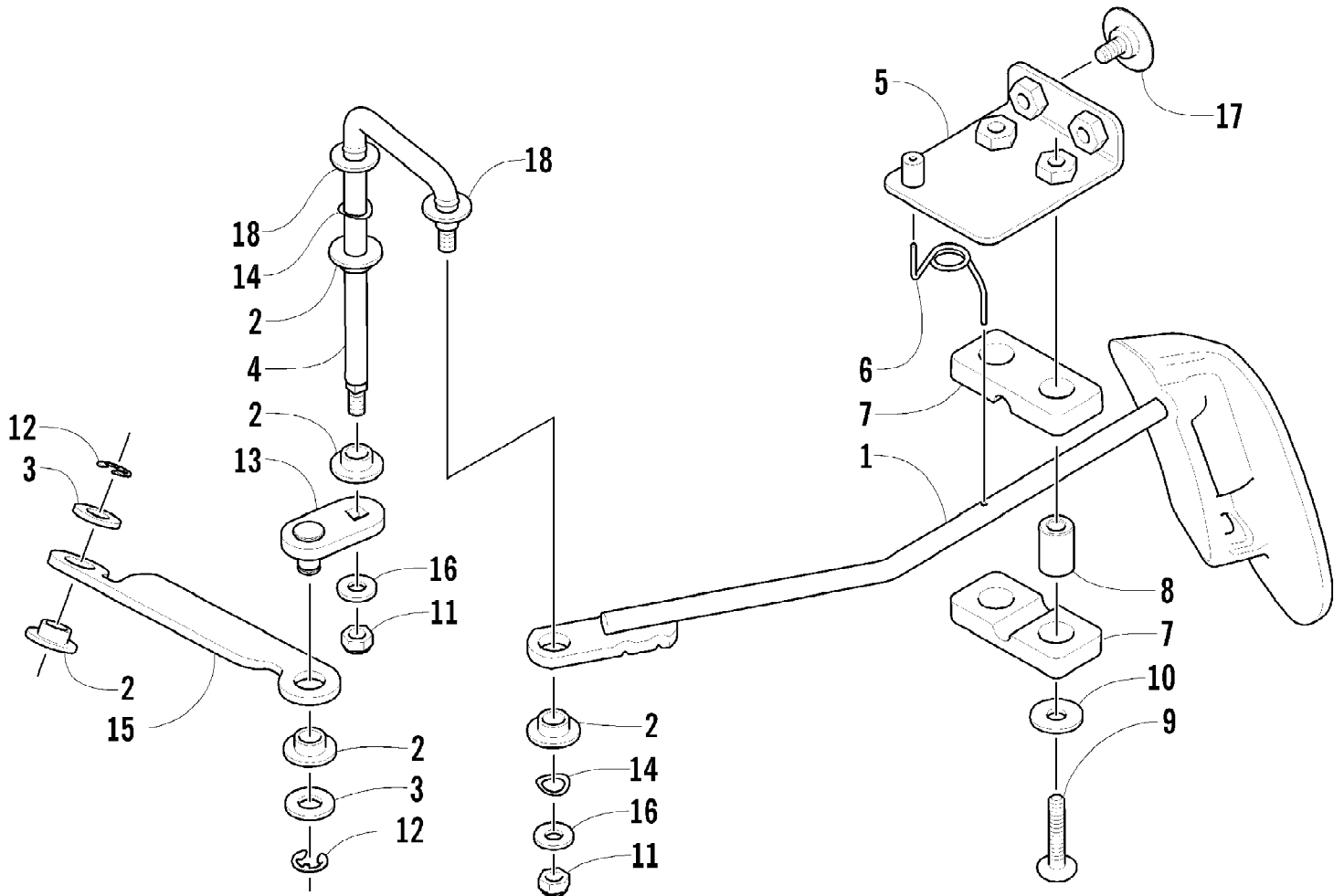


2003 ATV 400 4X4 AUTOMATIC TRANSMISSION (RED) (A2003ATH4BUSR) Page 36 of 91
FRONT DRIVE GEARCASE ASSEMBLY

Ref #	Part Number	Qty	S/P/F	Description
1	0502-119	1		Gearcase, Front Drive - Assembly (inc. 2-42)
2	0423-135	1		Nut
3	0423-134	1		Washer
4	0402-422	1		Flange, Drive
5	0402-395	1		Seal
6	0402-346	1		Spacer, Drive
7	0402-332	1		Ring, Retaining
8	0402-003	1		Bearing
9	0423-118	11		Screw, Self-Tapping
10	0402-412	1		Shaft, Selector
11	0402-416	1		Seal
12	0402-398	1		Plate, Selector Shaft
13	0502-092	1		Arm, Selector
14	0502-122	1		Housing, Selector
15	0402-414	1		Plate, Spring - Selector
16	0402-947	1		Gasket, Flange
17	0402-410	1		Shaft, Thrust
18	0402-413	1		Coupler, Drive
19	0402-357	1		Collar, Lock
20	0502-123	1		Gear, Pinion - Assembly - 10T (inc. 21-23)
21	0402-336	1		Collar, Retaining
22	0402-327	1		Bearing
23	0402-424	AR		Shim
23	0402-425	AR		Shim
23	0402-426	AR		Shim
23	0402-427	AR		Shim
23	0402-428	AR		Shim
24	0402-420	1		Fork, Selector
25	0402-417	1		Shaft, Shuttle
26	0423-147	1		O-Ring
27	0402-418	1		Spring, Return
28	0402-328	1		Bearing
29	0502-120	1		Housing, Gearcase
30	0402-394	2	S	Seal
31	0402-450	1	S	Plug, Magnetic (inc. 32)
32	0423-153	1		O-Ring
33	0402-411	1		Pin, Dowel
34	0423-149	1		O-Ring
35	0402-393	2		Bearing
36	0402-405	AR		Shim
36	0402-406	AR		Shim
36	0402-407	AR		Shim
36	0402-408	AR		Shim
36	0402-409	AR		Shim
37	0502-124	1		Gear, Ring - 36T
38	0402-871	1		Fitting
39	0502-121	1		Cover, Gearcase
40	0402-333	1	/P	Plug, Fill (inc. 41)
41	0423-154	1		O-Ring
42	8410-620	1		Screw, Cap
43	0423-315	1		Clamp, Fitting
44	0402-147	1	S	Bladder, Case
45	0502-321	1		Shaft, Propeller

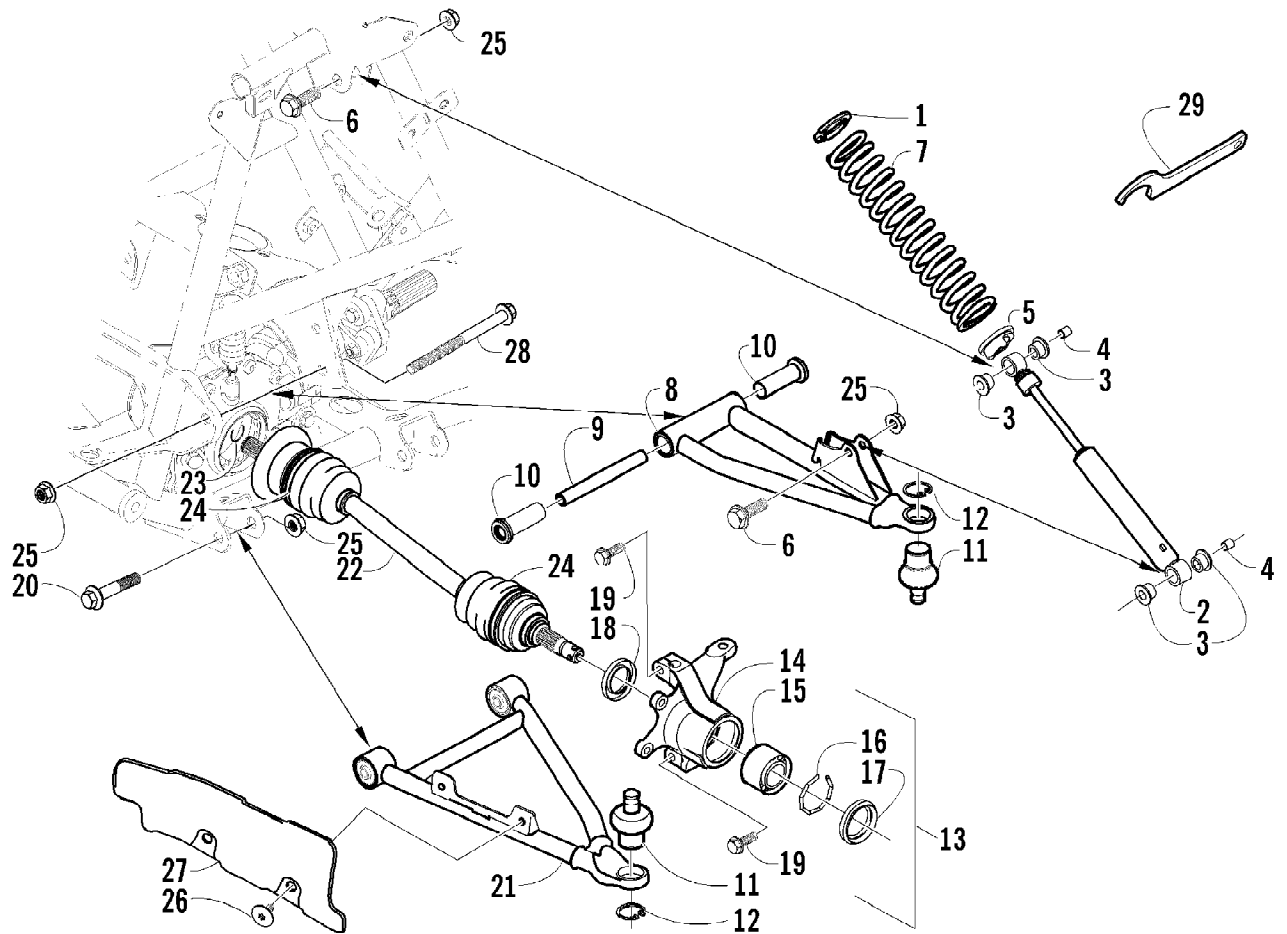
2003 ATV 400 4X4 AUTOMATIC TRANSMISSION (RED) (A2003ATH4BUSR) Page 37 of 91
FRONT DRIVE GEARCASE ASSEMBLY

Ref #	Part Number	Qty	S/P/F	Description
46	3435-007	1		Coupler, Propeller Shaft
47	3423-182	6	S	Screw, Cap
48	3004-491	6	S/P	Nut
49	0423-404	2		Screw, Cap
50	8428-002	2		Nut, Lock
51	8050-282	4	/P	Washer



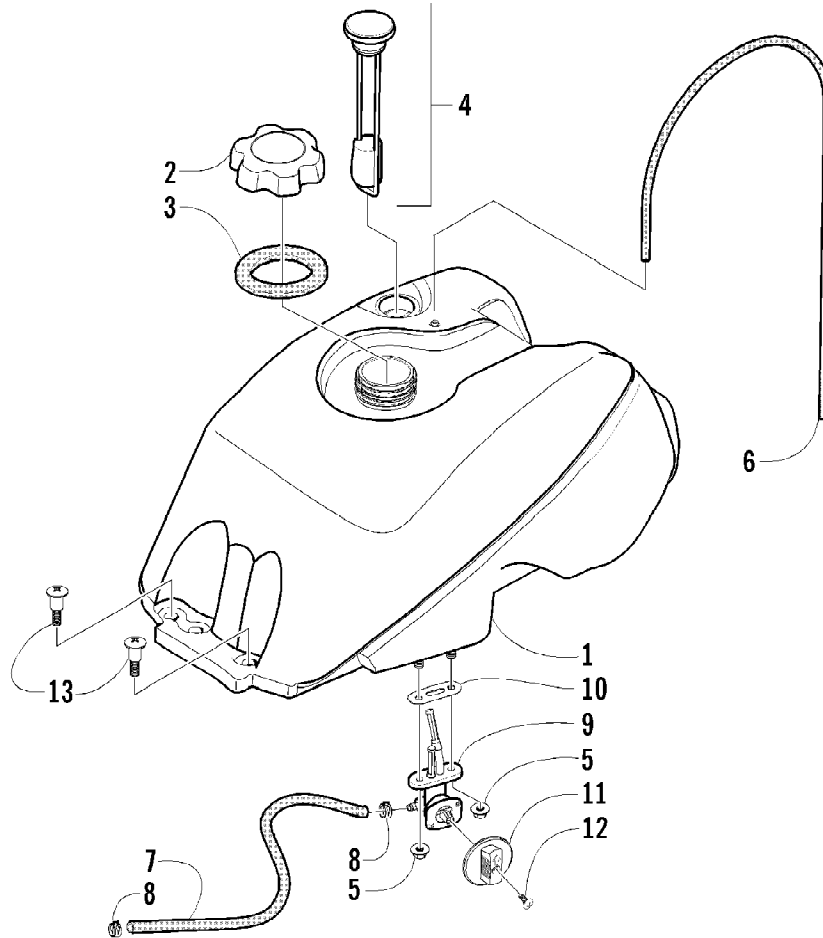
2003 ATV 400 4X4 AUTOMATIC TRANSMISSION (RED) (A2003ATH4BUSR) Page 39 of 91
FRONT DRIVE SHIFT LINKAGE ASSEMBLY

Ref #	Part Number	Qty	S/P/F	Description
1	0502-291	1		Shifter
2	0423-091	5		Bushing
3	8050-247	2	/P	Washer
4	0402-821	1		Arm, Shifter
5	0502-234	1		Plate, Mounting
6	0402-828	1		Spring, Torsion
7	0406-363	2		Bushing
8	0402-256	2		Collar
9	8476-630	2		Screw, Machine
10	8050-222	2	/P	Washer
11	0624-250	2		Nut, Lock
12	0124-057	2	/P	E-Ring
13	0502-295	1		Arm, Selector
14	0423-368	2		Washer, Wave
15	0502-396	1	/P	Cross-Link
16	0423-348	2		Washer
17	0423-101	2		Screw, Body
18	0123-053	2	/P	Washer



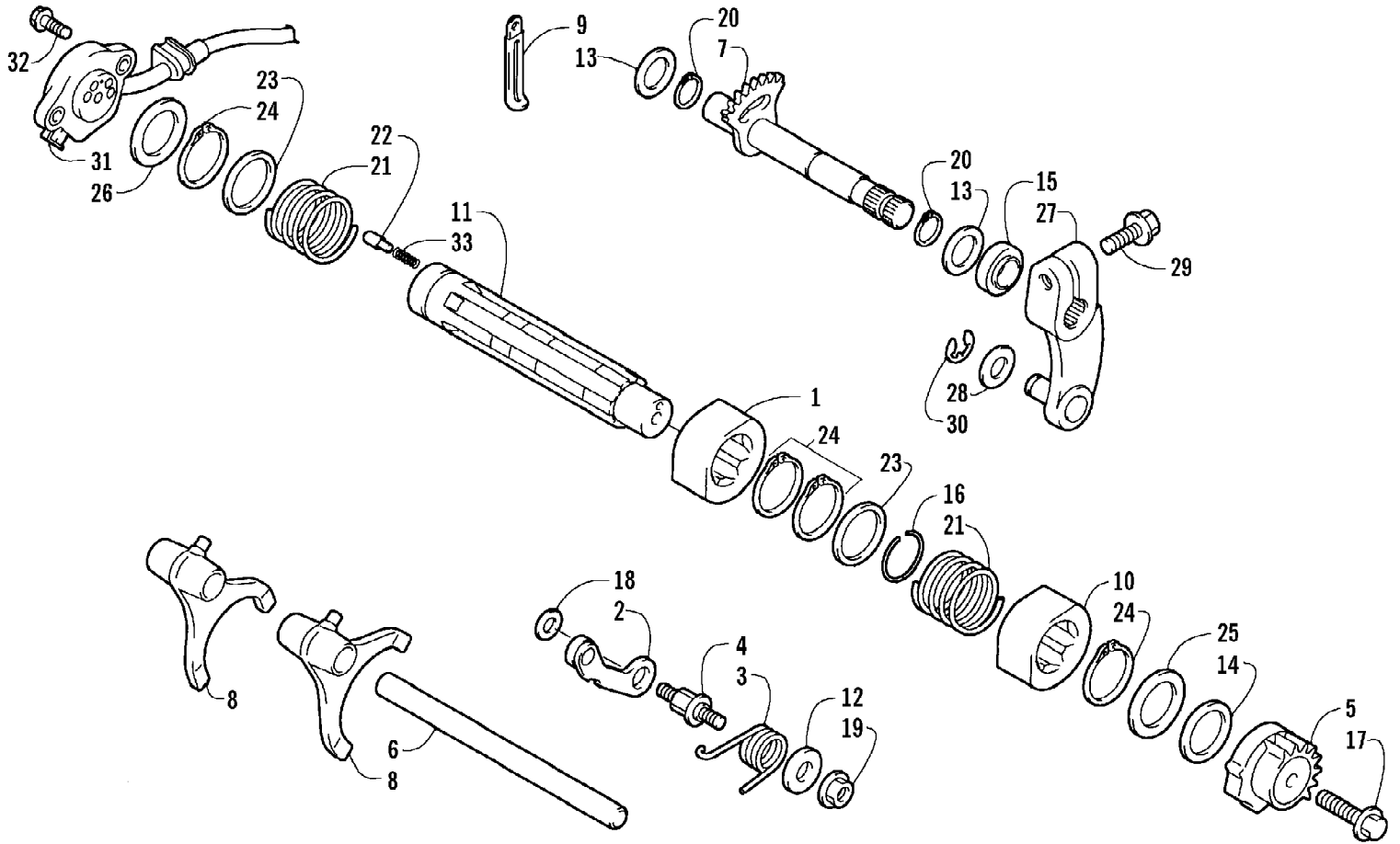
2003 ATV 400 4X4 AUTOMATIC TRANSMISSION (RED) (A2003ATH4BUSR) Page 41 of 91
FRONT SUSPENSION ASSEMBLY

Ref #	Part Number	Qty	S/P/F	Description
1	1603-889	2	/P	Retainer, Spring
2	0403-101	2		Shock Absorber - Front (inc. 3-4)
3	0604-310	8		Bushing, Shock Absorber
4	0403-028	4		Sleeve, Shock
5	0403-102	2		Cam, Spring Adjuster
6	8409-040	4		Screw, Cap
7	0403-103	2		Spring, Shock Absorber
8	0503-120	1	S	A-Arm, Upper Right - Assembly (inc. 9-12)
8	0503-121	1	S	A-Arm, Upper Left - Assembly (inc. 9-12)
9	0403-080	2		Collar
10	0403-081	4	S	Bushing
11	0405-115	4	/P	Ball Joint - Front
12	0423-009	4	/P	Clip, Ball Joint
13	0505-026	1	S/P	Knuckle - Assembly - Right (inc. 14-18)
13	0505-027	1	S/P	Knuckle - Assembly - Left (inc. 14-18)
14	0505-062	1	S	Knuckle, Steering - Right
14	0505-063	1	S	Knuckle, Steering - Left
15	0402-275	2	/P	Bearing, Wheel Hub - Front
16	0423-034	2		Clip, Bearing
17	0402-089	2		Seal, Wheel Bearing - Front
18	0402-069	2		Seal, Wheel Bearing - Rear
19	8409-030	4		Screw, Cap
20	8409-060	4		Screw, Cap
21	0503-118	1	S	A-Arm, Lower Right (inc. 11-12)
21	0503-119	1	S	A-Arm, Lower Left (inc. 11-12)
22	0402-987	2	S	Axle, Drive - Front (inc. 23-24)
23	0441-400	2	S	Clip, Retaining
24	0436-276	4	S	Repair Kit, Boot - Front Axle
25	8428-002	10		Nut, Lock
26	0423-101	4		Screw, Body
27	0406-944	1		Guard, Boot - Axle - Right
27	0406-927	1		Guard, Boot - Axle - Left
28	0423-334	2		Screw, Cap
29	0441-587	1		Wrench, Spanner



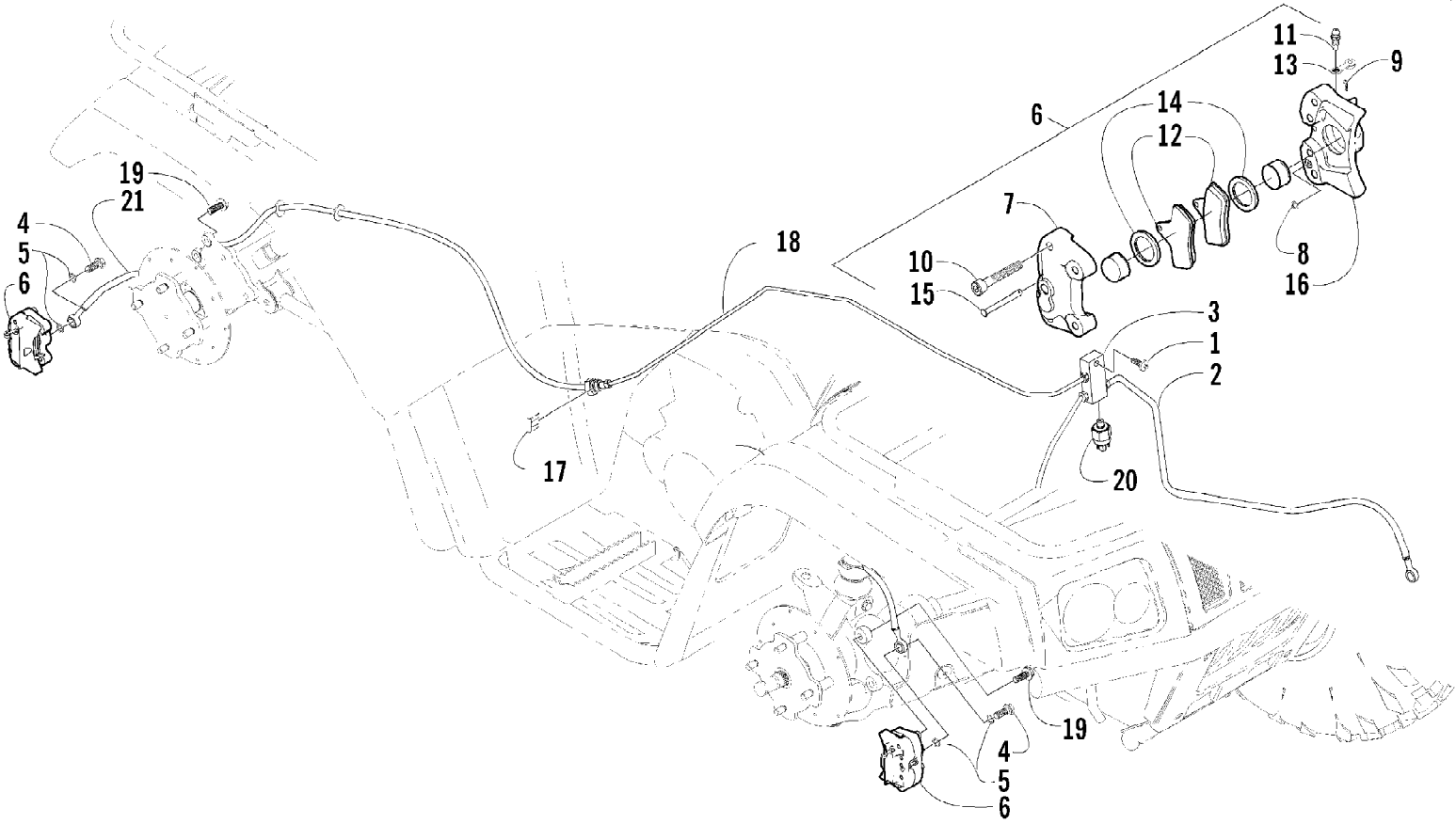
2003 ATV 400 4X4 AUTOMATIC TRANSMISSION (RED) (A2003ATH4BUSR) Page 43 of 91
GAS TANK ASSEMBLY

Ref #	Part Number	Qty	S/P/F	Description
1	0570-066	1	/P	Tank, Gas - Assembly (inc. 2-10)
2	0470-438	1	/P	Cap, Gas Tank (inc. 3)
3	0109-733	1	/P	Gasket, Tank Cap
4	0470-444	1	S	Gauge, Fuel w/Gasket (Press-Fit)
5	0423-398	2		Nut, Lock
6	0470-416	1	/P	Hose, Vent
7	0610-007	AR	/P	Hose, Gasline - 25 ft
8	0423-152	2		Clamp, Hose
9	0470-445	1	/P	Valve, Fuel Shut-Off (inc. 10)
10	0470-364	1		Gasket, Fuel Shut-Off Valve
11	0470-408	1		Knob, Fuel Shut-Off Valve
12	0423-146	1		Screw, Fuel Shut-Off Valve Knob
13	0423-130	2		Screw, Shoulder



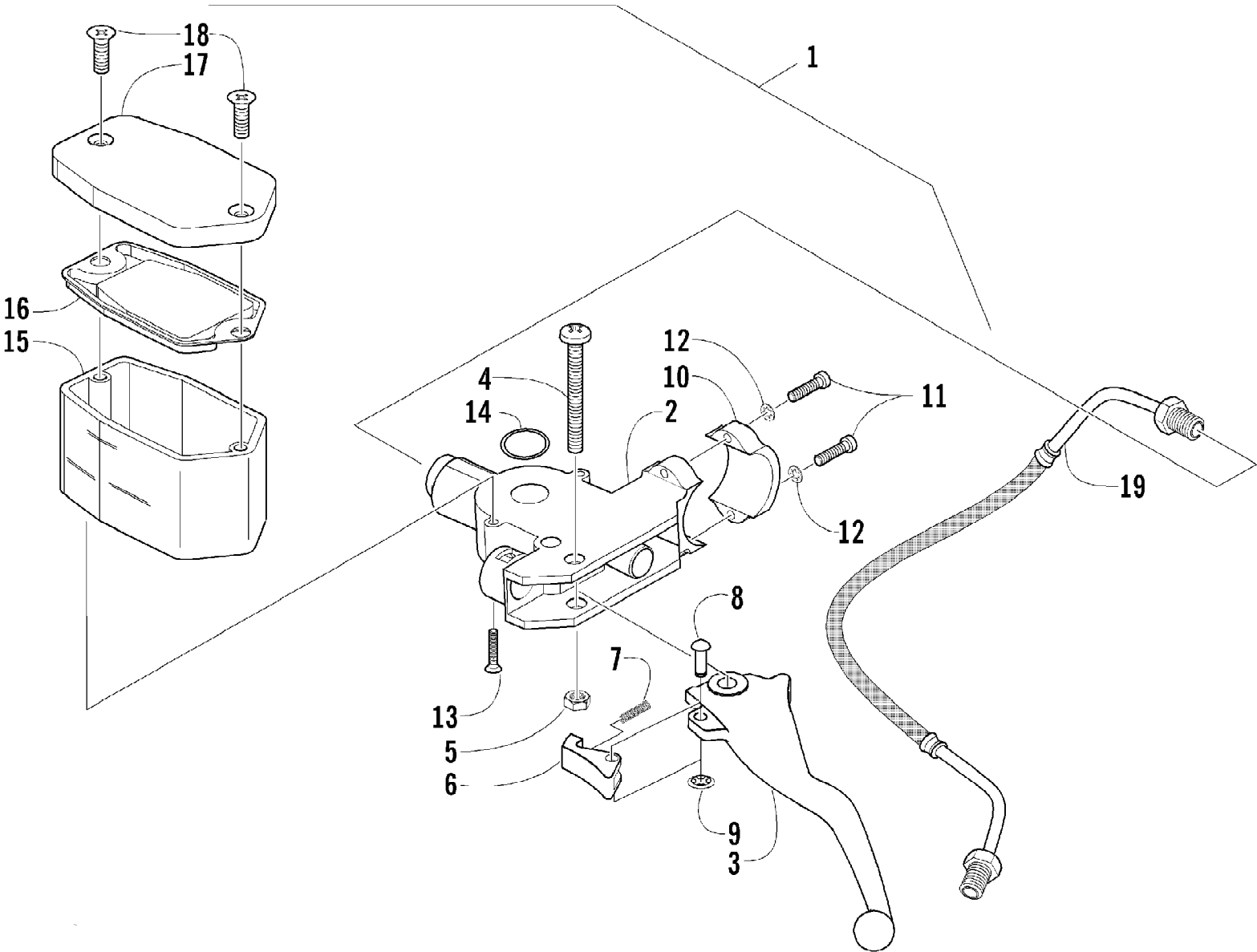
2003 ATV 400 4X4 AUTOMATIC TRANSMISSION (RED) (A2003ATH4BUSR) Page 45 of 91
GEAR SHIFTING ASSEMBLY

Ref #	Part Number	Qty	S/P/F	Description
1	3402-640	1		Cam, Reverse
2	3446-043	1		Stopper, Cam
3	3446-283	1		Spring, Cam Stopper
4	3446-048	1		Support, Cam Stopper
5	3402-642	1		Plate, Gear Shift Cam
6	3402-643	1		Shaft, Shift Fork
7	3402-644	1		Shaft, Sub-Gear Shift
8	3446-073	2		Fork, Shift
9	3002-964	1	/P	Clamp, Wire
10	3402-670	1		Cam, Gear Shift
11	3446-281	1		Shaft, Gear Shift
12	3423-438	1		Washer, Cam Stopper Spring
13	1691-043	2		Washer, Sub-Gear Shift Shaft
14	3423-446	1		Washer, Gear Shift Cam Plate
15	3402-076	1		Seal, Sub-Gear Shift Shaft
16	3423-416	1		C-Ring, Cam
17	3004-376	1	S/P	Bolt, Gear Shift Cam Plate
18	3423-141	1		Washer, Cam Stopper
19	3004-488	1	S/P	Nut, Cam Stopper Spring
20	3423-358	2	S	Circlip, Sub-Gear Shift Shaft
21	3446-280	2		Spring, Cam
22	3423-044	2		Contact
23	3402-382	2		Washer, Cam Spring
24	3423-191	4	/P	Circlip, Cam Spring
25	3402-195	1		Washer, Shift Shaft
26	3423-421	1	/P	Washer, Shift Shaft
27	3402-434	1	/P	Arm, Select
28	3423-204	1	/P	Washer, Select Arm
29	3004-341	1	S/P	Bolt, Select Arm
30	3423-153	1		E-Ring
31	3402-686	1		Base, Gear Shift - Assembly
32	3423-418	2		Bolt
33	3402-087	2		Spring



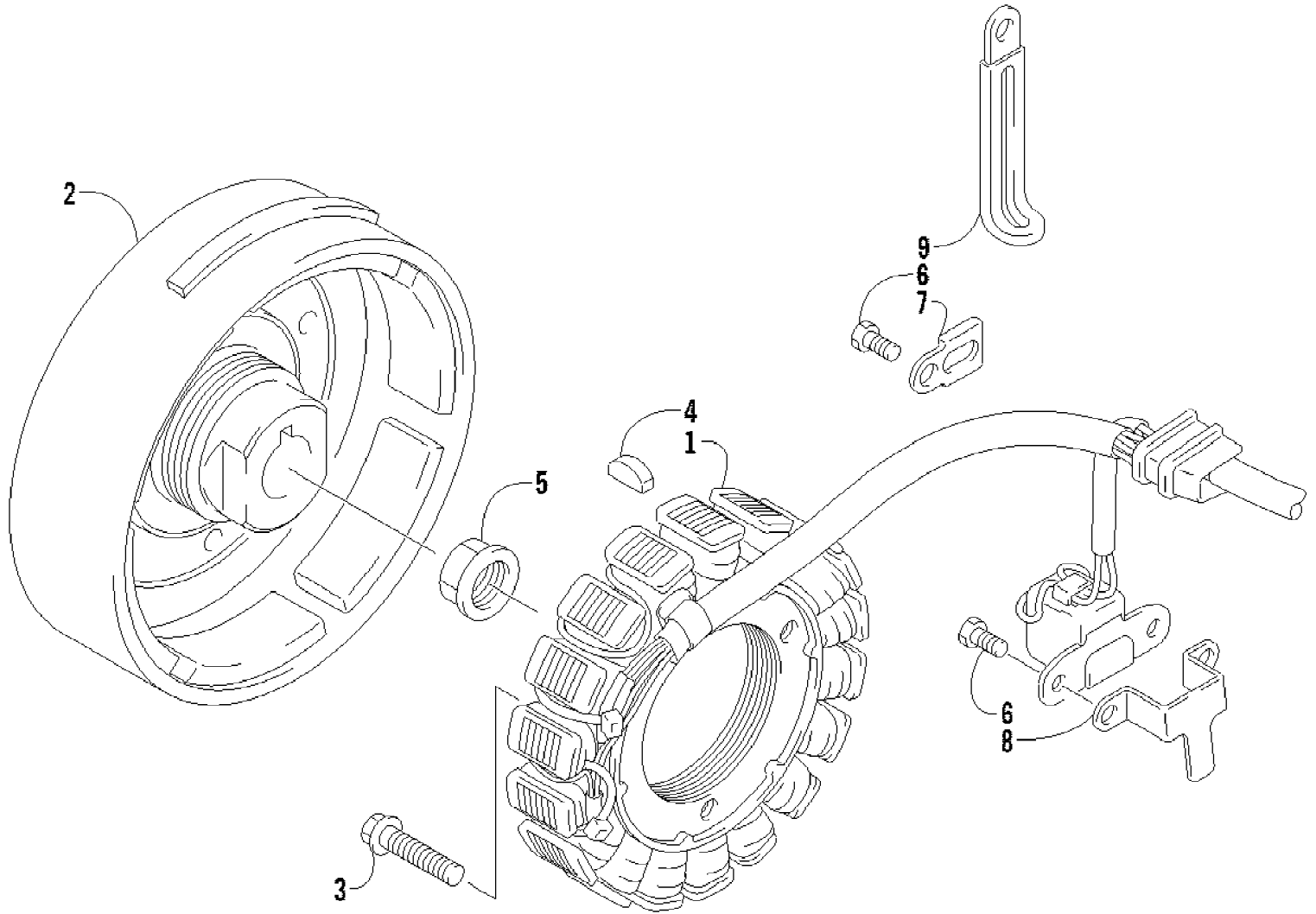
2003 ATV 400 4X4 AUTOMATIC TRANSMISSION (RED) (A2003ATH4BUSR) Page 47 of 91
HYDRAULIC BRAKE ASSEMBLY

Ref #	Part Number	Qty	S/P/F	Description
1	8476-625	1		Screw, Cap
2	0402-986	2		Hose, Brake - Front
3	1402-086	1		Block, Junction
4	0423-413	3		Bolt, Banjo Fitting
5	0423-178	6		Washer, Crush
6	0502-335	1	S	Caliper, Brake - Right Front (inc. 7-16)
6	0502-336	2	S	Caliper, Brake - Left Front and Right Rear (inc. 7-16)
7	0	3	F	Housing, Caliper
8	0402-490	3		O-Ring
9	0402-496	3	S	Pin, Cotter
10	0402-492	12		Screw, Cap
11	0402-493	3		Cap, Bleed Valve
12	0402-882	6	/P	Pad, Brake
13	0402-491	3	S	Valve, Bleed
14	0402-980	6		O-Ring, Brake Caliper
15	0402-495	3		Pin, Brake Caliper
16	0	3	F	Housing, Caliper
17	0402-597	1	/P	Clip, Brake Line
18	0402-932	1		Tube, Brake Line - Rear
19	8408-825	6		Screw, Cap
20	0402-306	1	/P	Switch, Brake Pressure
21	0402-990	1		Hose, Brake - Rear



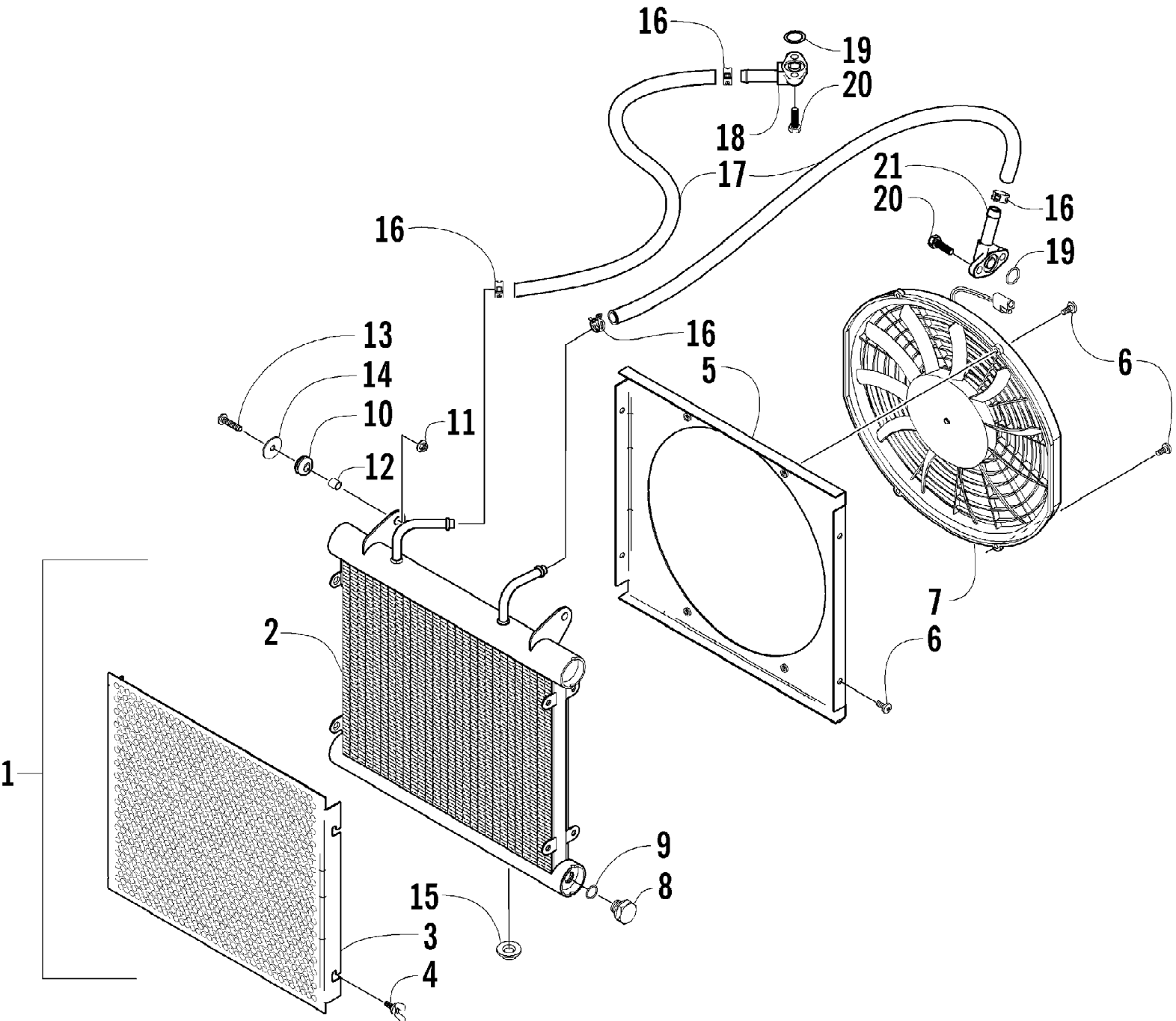
2003 ATV 400 4X4 AUTOMATIC TRANSMISSION (RED) (A2003ATH4BUSR) Page 49 of 91
HYDRAULIC HAND BRAKE ASSEMBLY

Ref #	Part Number	Qty	S/P/F	Description
	0502-429	1		Master Cylinder Rebuild Kit
1	0502-387	1	/P	Brake Assembly (inc. 2-18)
2	0	1	F	Master Cylinder
3	0402-818	1	/P	Lever, Brake
4	0623-430	1	/P	Screw, Machine
5	0623-056	1		Nut, Lock
6	1402-034	1	/P	Lock, Brake Lever
7	0402-245	1		Spring, Brake Lever Lock
8	0402-246	1		Pin, Brake Lever Lock
9	0423-090	1		Nut, Push
10	0602-907	1		Clamp, Master Cylinder
11	0623-613	2	/P	Screw, Machine
12	8052-212	2		Washer, Lock - Internal Tooth
13	0623-432	2		Screw, Machine
14	0602-587	1		O-Ring
15	0602-740	1		Reservoir
16	0602-741	1		Gasket, Cover
17	0602-742	1		Cover, Reservoir
18	0623-506	2		Screw, Machine
19	0402-962	1		Brakeline, Hydraulic



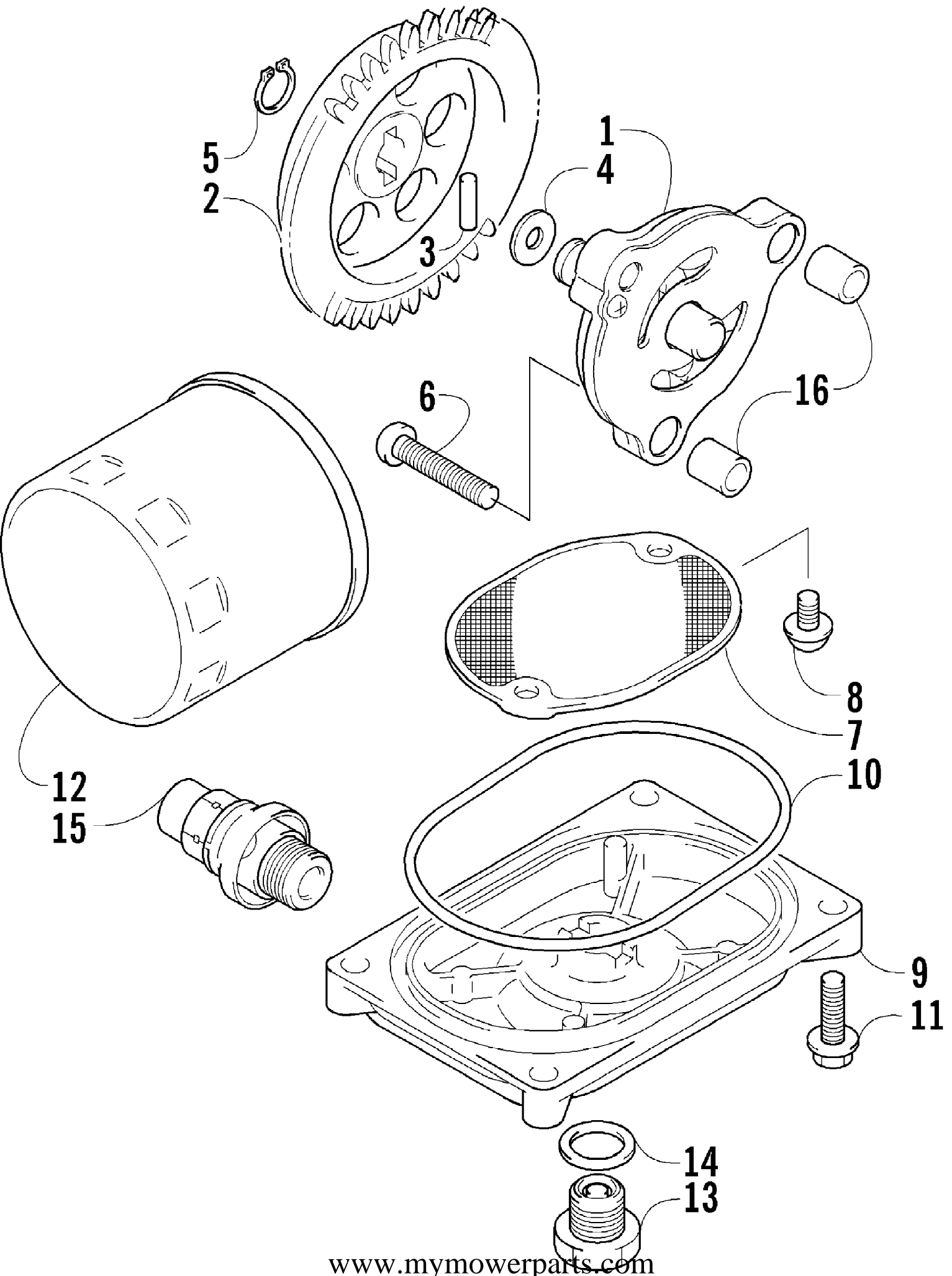
2003 ATV 400 4X4 AUTOMATIC TRANSMISSION (RED) (A2003ATH4BUSR) Page 51 of 91
MAGNETO ASSEMBLY

Ref #	Part Number	Qty	S/P/F	Description
1	3430-053	1		Stator Assembly
2	3430-054	1	S	Rotor/Flywheel
3	3004-756	3	S	Bolt
4	0691-785	1		Key
5	3423-086	1		Nut
6	3423-005	3	/P	Bolt
7	3430-005	1		Clamp
8	3430-006	1		Clamp
9	3002-964	1	/P	Clamp, Wire



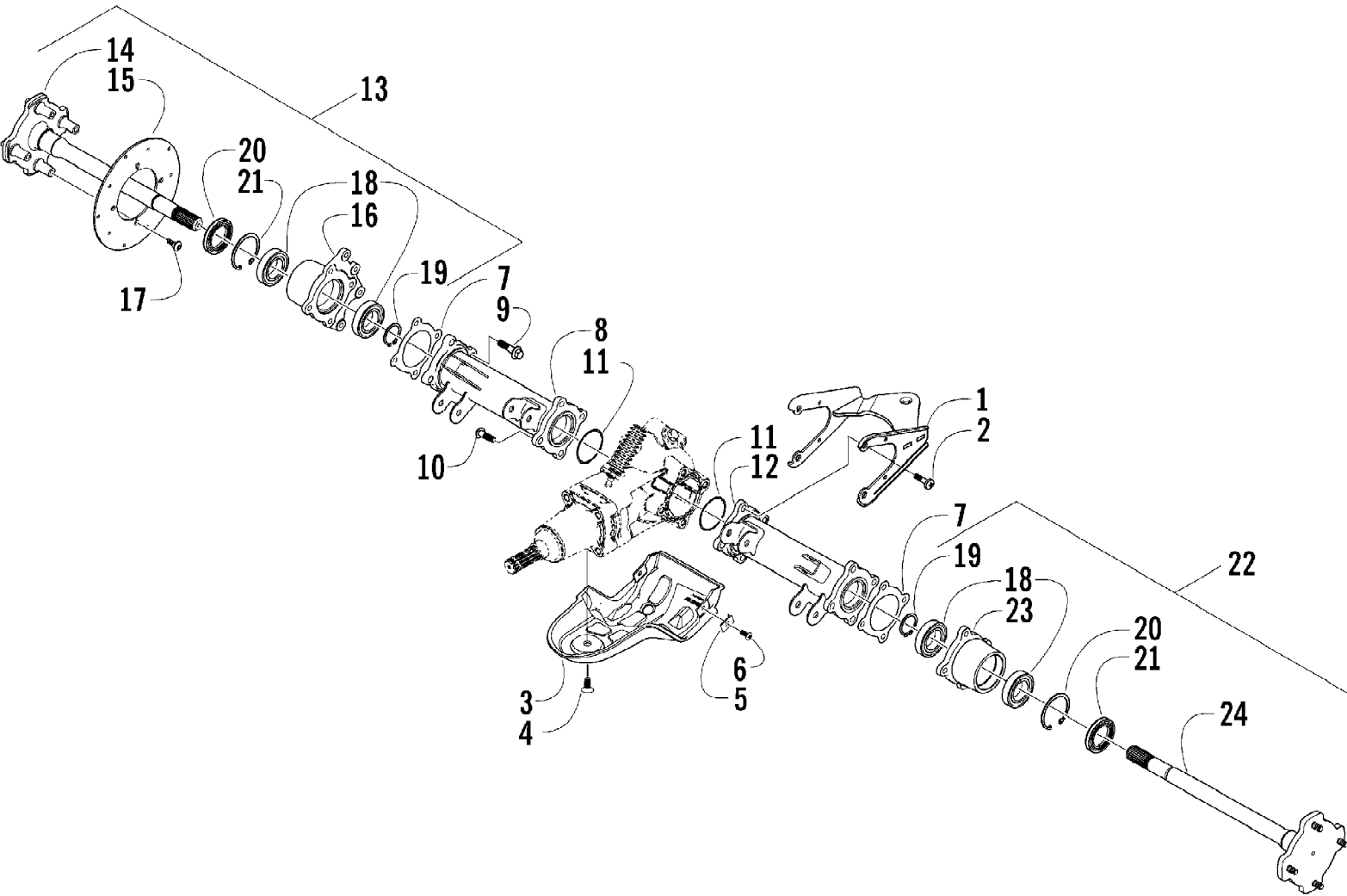
2003 ATV 400 4X4 AUTOMATIC TRANSMISSION (RED) (A2003ATH4BUSR) Page 53 of 91
OIL COOLER ASSEMBLY

Ref #	Part Number	Qty	S/P/F	Description
1	0413-052	1		Cooler, Oil - Assembly (inc. 2-9)
2	0413-053	1		Cooler, Oil
3	0413-007	1		Screen, Oil Cooler
4	0413-009	1		Screw, Thumb
5	0413-064	1		Shroud, Fan
6	8475-512	8		Screw, Machine
7	0413-044	1	S	Fan, Cooling
8	0413-058	1		Plug, Drain
9	0413-059	1		O-Ring
10	0423-030	2		Grommet
11	0623-038	2		Nut w/Washer
12	0423-036	2		Collar
13	8476-625	2		Screw, Machine
14	0623-184	2		Washer
15	0423-028	2		Bushing, Stem
16	0423-098	4	/P	Clamp, Hose
17	0410-044	2		Hose, Oil
18	0410-013	1		Fitting, Oil
19	0423-089	2		O-Ring
20	8471-616	4		Screw, Machine
21	0410-012	1		Fitting, Oil - Angled



2003 ATV 400 4X4 AUTOMATIC TRANSMISSION (RED) (A2003ATH4BUSR) Page 55 of 91
 OIL FILTER/PUMP ASSEMBLY

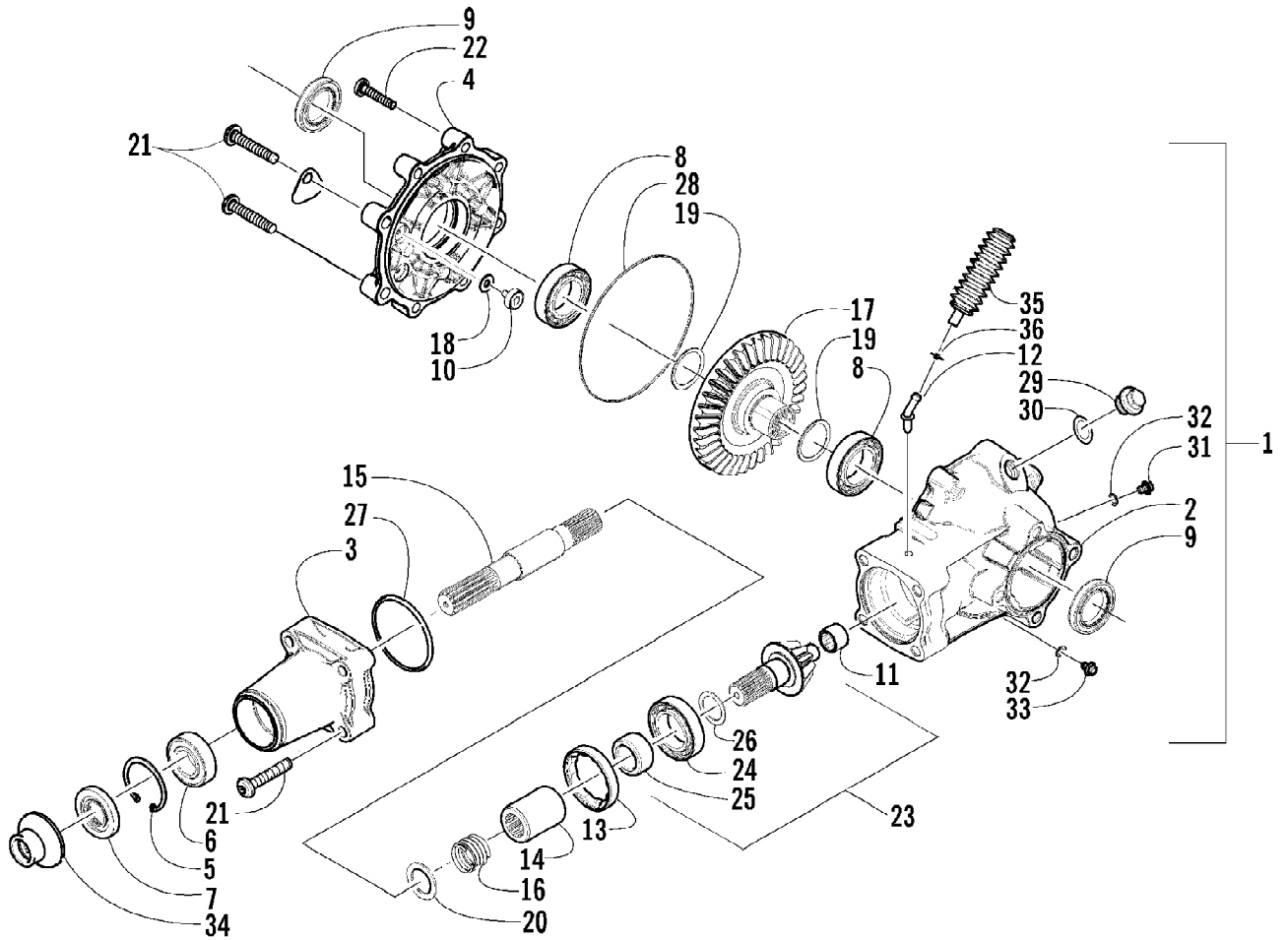
Ref #	Part Number	Qty	S/P/F	Description
1	3402-619	1		Pump, Oil
2	3402-618	1		Gear, Driven
3	3423-046	1		Pin
4	3423-443	1		Washer
5	3423-184	1	S	Circlip
6	3423-113	3	S/P	Screw
7	3402-156	1		Strainer, Oil
8	0693-389	2	S	Screw
9	3402-157	1		Cap, Oil Strainer
10	3423-077	1		O-Ring
11	3004-756	4	S	Screw, Cap
12	0436-146	1	S	Filter, Oil
13	3402-036	1	S	Plug, Drain
14	3402-012	1		Gasket, Drain Plug
15	3402-154	1		Valve, Assembly - Oil Relief
16	3005-206	2	/P	Pin, Oil Pump



2003 ATV 400 4X4 AUTOMATIC TRANSMISSION (RED) (A2003ATH4BUSR) Page 57 of 91
REAR AXLE ASSEMBLY

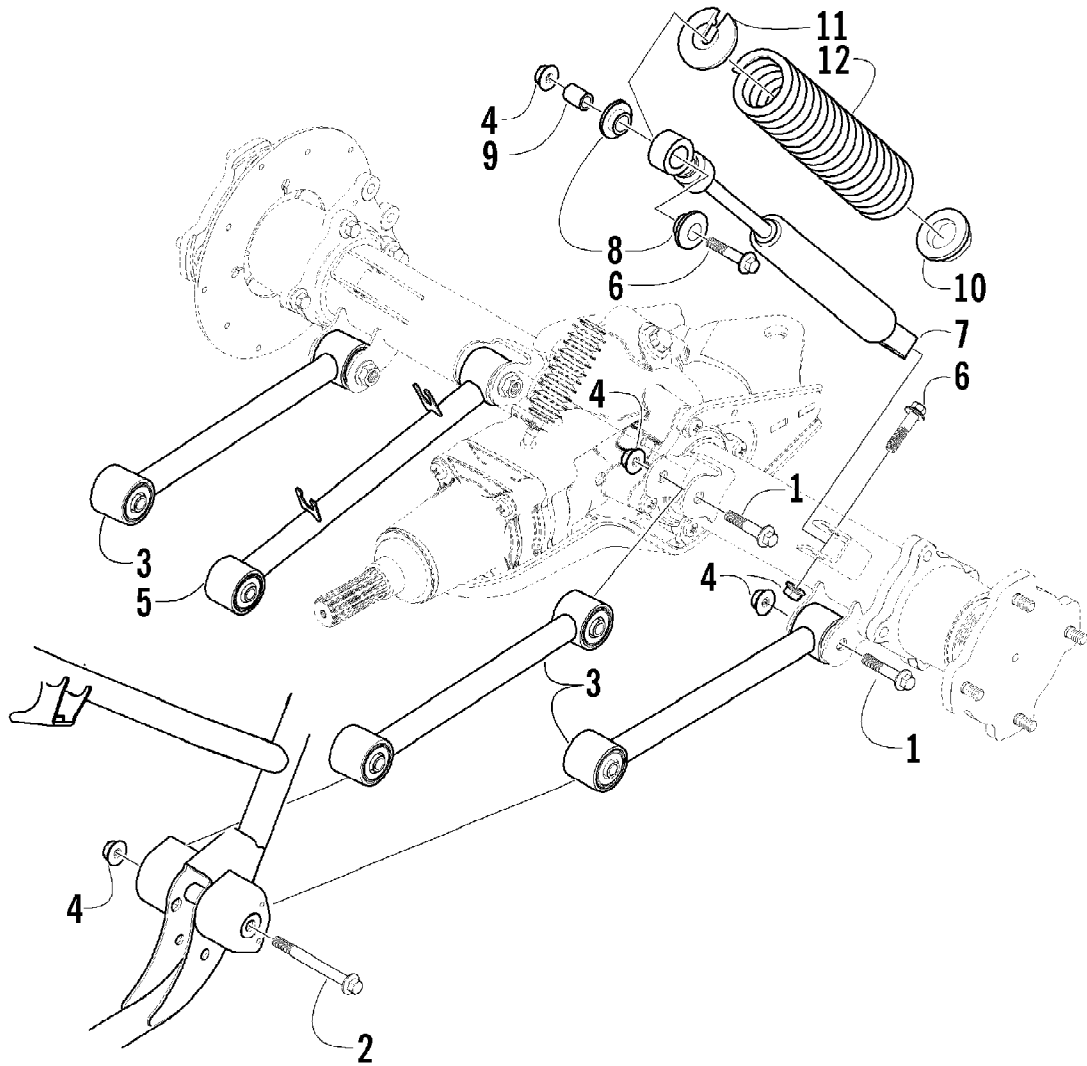
Ref #	Part Number	Qty	S/P/F	Description
1	0506-675	1		Hitch, Trailer
2	0423-116	4		Screw, Self-Tapping
3	0406-415	1		Panel, Gearcase
4	0423-101	1		Screw, Body
5	0423-031	2		Nut, Speed
6	8477-616	2		Screw, Machine
7	0402-374	2		Gasket, Axle Housing
8	0502-090	1		Housing, Axle - Right
9	8409-025	8		Screw, Cap
10	0423-117	4		Screw, Self-Tapping
11	0423-119	2		O-Ring
12	0502-091	1		Housing, Axle - Left
13	0502-365	1		Retainer, Axle - Assembly - Right (inc. 14-17, two No. 18, and one No. 19-21)
14	0502-366	1		Axle Assembly - Right
15	0402-874	1	S	Disc, Brake
16	0502-096	1	S	Housing, Bearing - Right
17	0423-029	4		Screw, Shoulder
18	0402-339	4		Bearing
19	0402-351	2		Ring, Retaining
20	0402-347	2		Ring, Retaining
21	0402-348	2		Seal
22	0502-367	1	/P	Retainer, Axle - Assembly - Left (inc. two No. 18, one No. 19-21, and 23-24)
23	0502-097	1	S	Housing, Bearing - Left
24	0502-368	1	S	Axle Assembly - Left

2003 ATV 400 4X4 AUTOMATIC TRANSMISSION (RED) (A2003ATH4BUSR) Page 58 of 91
REAR DRIVE GEARCASE ASSEMBLY



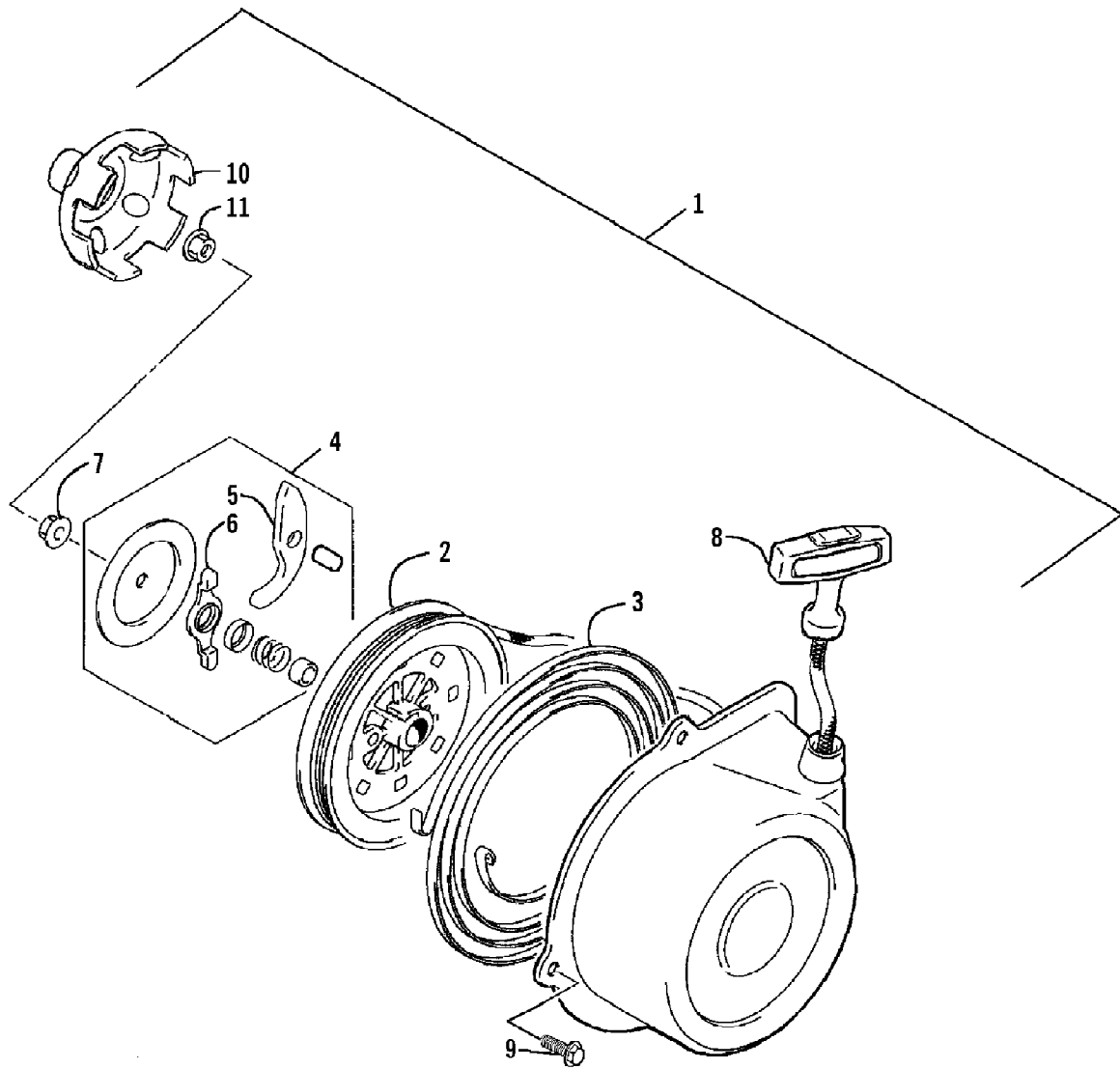
2003 ATV 400 4X4 AUTOMATIC TRANSMISSION (RED) (A2003ATH4BUSR) Page 59 of 91
REAR DRIVE GEARCASE ASSEMBLY

Ref #	Part Number	Qty	S/P/F	Description
	0502-292	1		Complete Assembly
1	0502-292	1		Gearcase, Rear Drive - Assembly (inc. 2-33)
2	0502-088	1		Housing, Gearcase
3	0502-239	1		Housing, Pinion
4	0502-089	1		Cover, Gearcase
5	0402-321	1		Ring, Retaining
6	0402-322	1		Bearing
7	0402-323	1		Seal
8	0402-324	2		Bearing
9	0402-325	2		Seal
10	0402-326	1		Button, Thrust
11	0402-328	1		Bearing, Needle
12	0402-330	1		Fitting
13	0402-331	1		Collar, Lock
14	0402-335	1		Collar, Shaft
15	0402-851	1		Shaft, Thrust
16	0402-338	1		Spring, Compression
17	0402-381	1		Gear, Ring - 36T
18	0402-429	AR		Shim
18	0402-430	AR		Shim
18	0402-431	AR		Shim
18	0402-432	AR		Shim
18	0402-433	AR		Shim
19	0402-434	AR		Shim
19	0402-435	AR		Shim
19	0402-436	AR		Shim
19	0402-437	AR		Shim
19	0402-438	AR		Shim
20	0423-111	1		Washer
21	0423-115	6		Screw, Self-Tapping
22	0423-118	6		Screw, Self-Tapping
23	0502-123	1		Gear, Pinion - Assembly - 10T (inc. 24-26)
24	0402-327	1		Bearing
25	0402-336	1		Collar, Retaining
26	0402-424	AR		Shim
26	0402-425	AR		Shim
26	0402-426	AR		Shim
26	0402-427	AR		Shim
26	0402-428	AR		Shim
27	0423-148	1		O-Ring
28	0423-149	1		O-Ring
29	0402-333	1	/P	Plug, Fill (inc. 30)
30	0423-154	1		O-Ring
31	0402-334	1		Plug, Drain (inc. one No. 32)
32	0423-153	2		O-Ring
33	0402-450	1	S	Plug, Drain - Magnetic (inc. one No. 32)
34	0402-352	1		Boot, Rear Drive
35	0402-147	1	S	Bladder, Gearcase
36	0423-315	1		Clamp, Hose



2003 ATV 400 4X4 AUTOMATIC TRANSMISSION (RED) (A2003ATH4BUSR) Page 61 of 91
REAR SUSPENSION ASSEMBLY

Ref #	Part Number	Qty	S/P/F	Description
1	8409-060	4		Screw, Cap
2	0423-335	2		Screw, Cap
3	0504-218	3		Arm, Swing
4	8428-002	10		Nut, Lock
5	0504-246	1		Arm, Swing
6	8409-040	4		Screw, Cap
7	0404-056	2		Shock Absorber - Rear (inc. 8-9)
8	0604-310	8		Bushing, Shock Absorber
9	0403-028	4		Sleeve, Shock Absorber
10	0403-102	2		Cam, Spring Adjuster
11	1603-889	2	/P	Retainer, Spring - Upper
12	0404-058	2		Spring, Shock Absorber



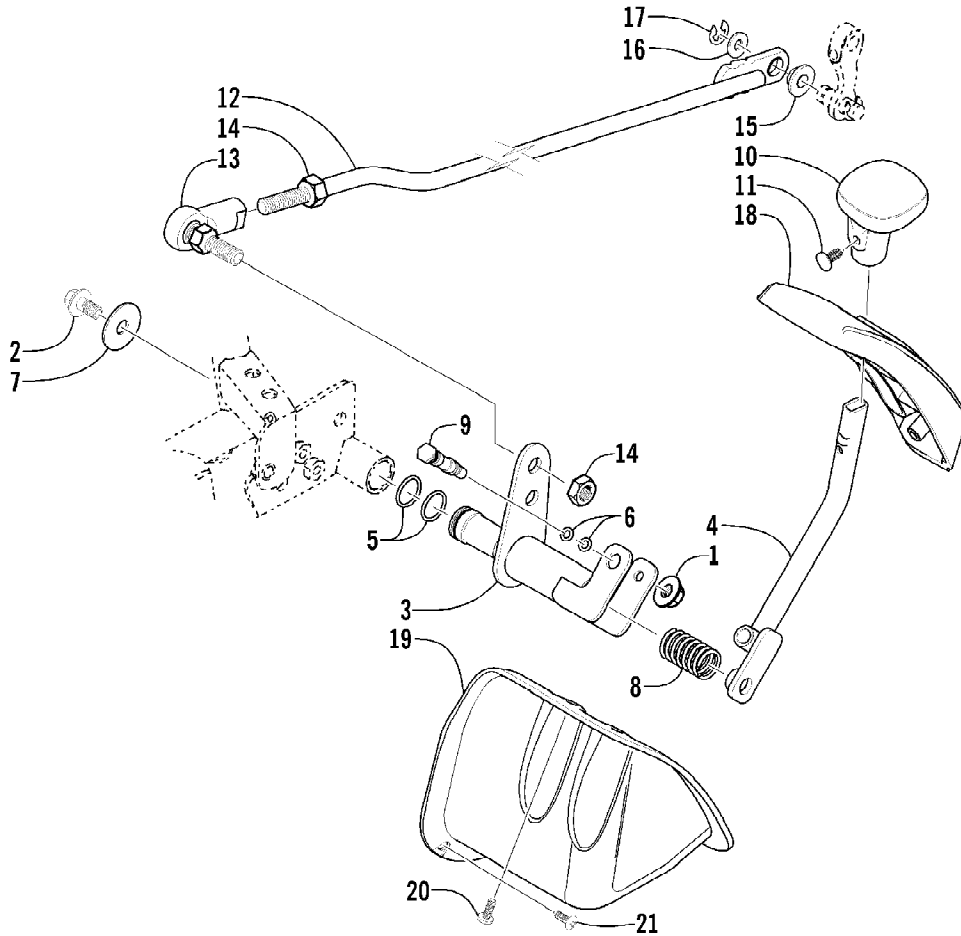
2003 ATV 400 4X4 AUTOMATIC TRANSMISSION (RED) (A2003ATH4BUSR) Page 63 of 91
RECOIL STARTER ASSEMBLY

Ref #	Part Number	Qty	S/P/F	Description
1	3445-003	1		Starter, Recoil - Assembly (inc. 2-8)
2	3445-004	1		Reel
3	3445-007	1		Spring, Sprial
4	3445-016	1		Ratchet - Assembly (inc. 5-6)
5	3445-005	1		Ratchet
6	3445-006	1		Guide, Ratchet
7	3004-488	1	S/P	Nut
8	3445-011	1		Rope Assembly
9	3423-428	4		Screw, Cap
10	3445-027	1	S	Cup, Starter
11	3004-491	1	S/P	Nut

No
Diagram
Available

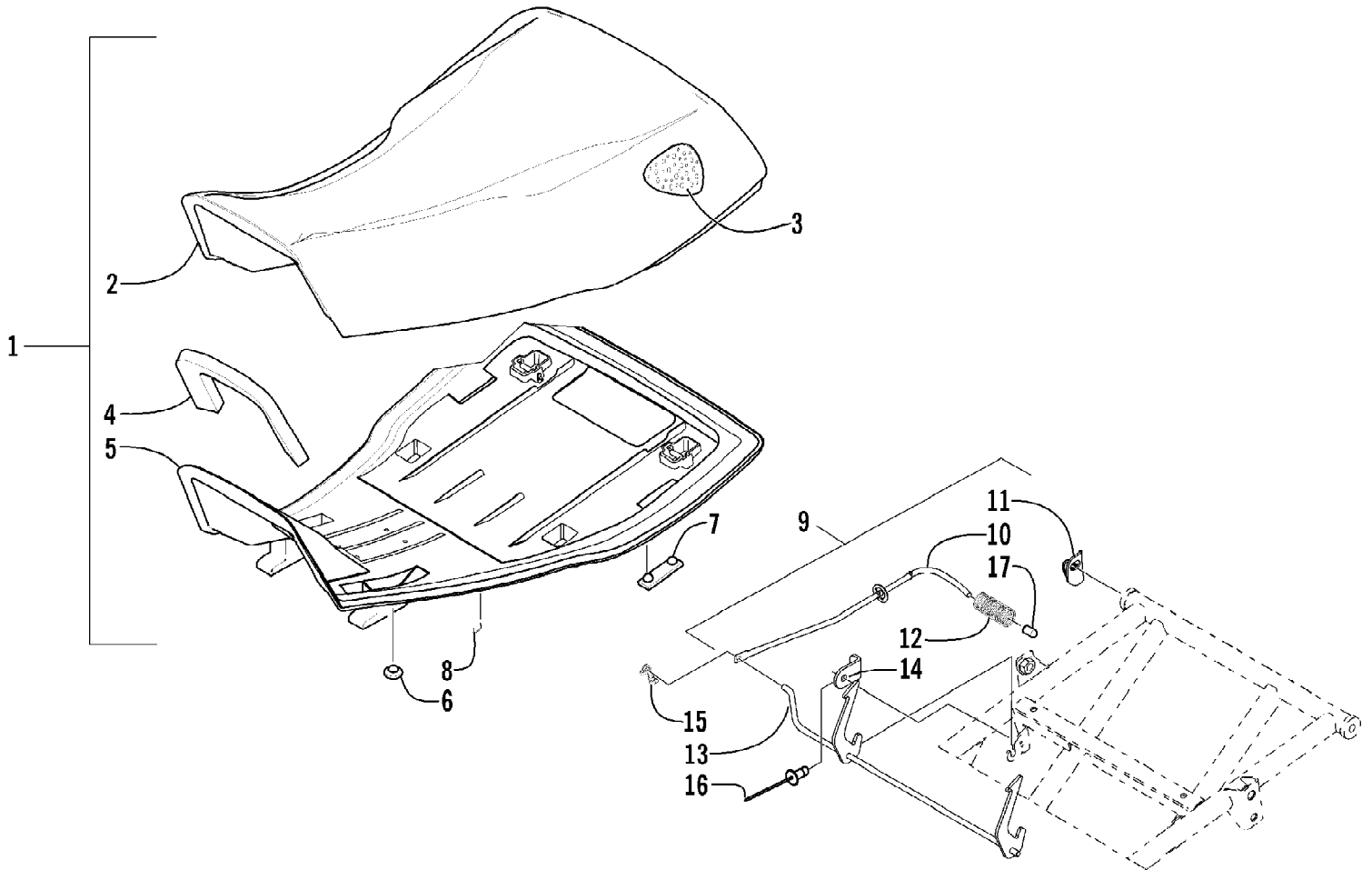
Parts List
Only

Ref #	Part Number	Qty	S/P/F	Description
	0436-337	1		Bag, Rack, Front, Black
	0436-336	1		Bag, Rack, Rear, Black
	0436-185	1		Bag, Tank, Black
	0436-183	1	/P	Battery, Heavy Duty
	0436-432	1	S	Brush Guard/Bumper, Deluxe (4x4)
	0436-330	1		Bumper (Rear)
	0436-139	1		Cargo Trailer - Deluxe
	0436-381	1		Cover, Black and Green
	0436-125	1		Cover, Gray Universal
	0436-087	1	/P	Electrical Plug
	0436-199	1		Gun Scabbard w/Mount
	0436-352	1		Hand/Thumb Warmers
	0436-103	1		Hourmeter
	2256-690	1		Illustrated Parts Manual
	0436-122	1	S	Lunch Pack, Black
	2256-593	1		Operator's Manual
	0652-024	1		Paint, Metal - Black
	0436-176	1		Prefilter, Air Filter
	0436-351	1		Rack Basket (Front)
	0436-350	1		Rack Basket (Rear)
	0436-349	1		Rack Extension, 4 in. (Front)
	0436-225	1		Rack Extension, 4 in. (Rear)
	0436-226	1		Rack Extension, 8 in. (Rear)
	0436-201	1		Rack Pouch, Standard Rack, Black
	0436-014	1	/P	Safety Flag
	0436-386	1		Snowplow Attachment Kit
	0436-228	1		Snowplow Blade, 50 in. -
	0436-287	1		Snowplow Blade, 50 in. -
	0436-296	1		Snowplow Blade, 60 in. -
	0436-360	1		Snowplow Blade, 60 in. - One-Way
	0436-356	1	S	Snowplow, Push Frame
	0436-233	1		Snowplow Remote Angle Adjust
	0436-385	1		Snowplow, Hand Lift Lever Kit
	0436-026	1		Tire Chains, Size B (24 in. and 25 in.)
	0436-027	1		Tire Chains, Size C (26 in. Tires)
	0402-154	1		Tire, Titan AT471 (25x8-12, Deep Lug)
	0402-155	1		Tire, Titan AT471 (25x10-12, Deep Lug)
	0402-926	1		Tire, Dunlop KT (25x11-12)
	0402-890	1		Tire, Dunlop KT (25x8-12)
	0402-227	1		Tire, Titan AT495 (26x10.5-12)
	1402-028	1		Tire, Titan AT589 (25x8-12, Mud & Snow)
	0402-563	1		Tire, Titan AT589 (25x10-12,
	0436-297	1		Tool Holder - Double (Pair)
	0436-263	1	/P	Tool Holder - Single (Pair)
	0436-068	1		Winch Accessories Kit
	0436-329	1	S	Winch Kit, 2500 lb
	0436-361	1		Winch Mounting Kit
	0436-303	1		Windshield, Clear
	0436-301	1		Windshield, Clear w/Accent
	0436-302	1		Windshield, Smoke w/Accent



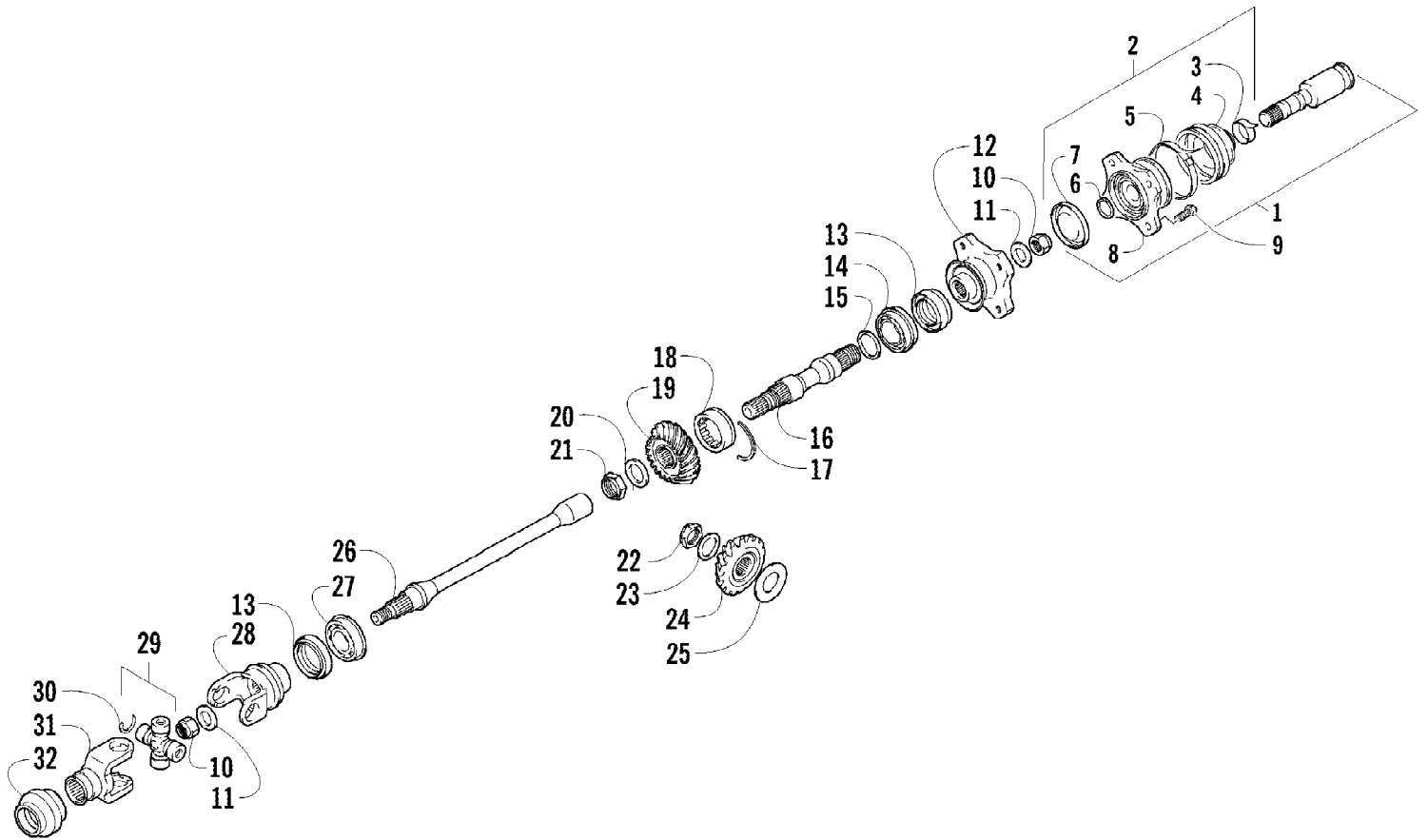
2003 ATV 400 4X4 AUTOMATIC TRANSMISSION (RED) (A2003ATH4BUSR) Page 67 of 91
REVERSE SHIFT LEVER ASSEMBLY

Ref #	Part Number	Qty	S/P/F	Description
1	8424-602	1	/P	Nut
2	8408-812	1		Screw, Cap
3	0502-187	1		Axle, Reverse Shift Lever
4	0502-185	1		Lever, Reverse Shift
5	0423-299	2	/P	O-Ring
6	0423-182	2	/P	O-Ring
7	0423-087	1		Washer
8	0502-410	1	S	Spring
9	0402-675	1		Axle, Pivot
10	0402-843	1	/P	Handle, Reverse Shift Lever
11	0423-345	1		Clip, Push
12	0502-311	1	S	Linkage, Shift
13	0402-844	1		End, Rod
14	0623-294	2		Nut
15	0423-091	1		Bushing
16	3423-204	1	/P	Washer
17	0423-169	1	/P	E-Ring
18	0402-685	1		Plate, Shift
19	0406-943	1		Shield, Linkage
20	0423-371	3		Screw, Machine
21	0623-309	1		Screw, Self-Tapping



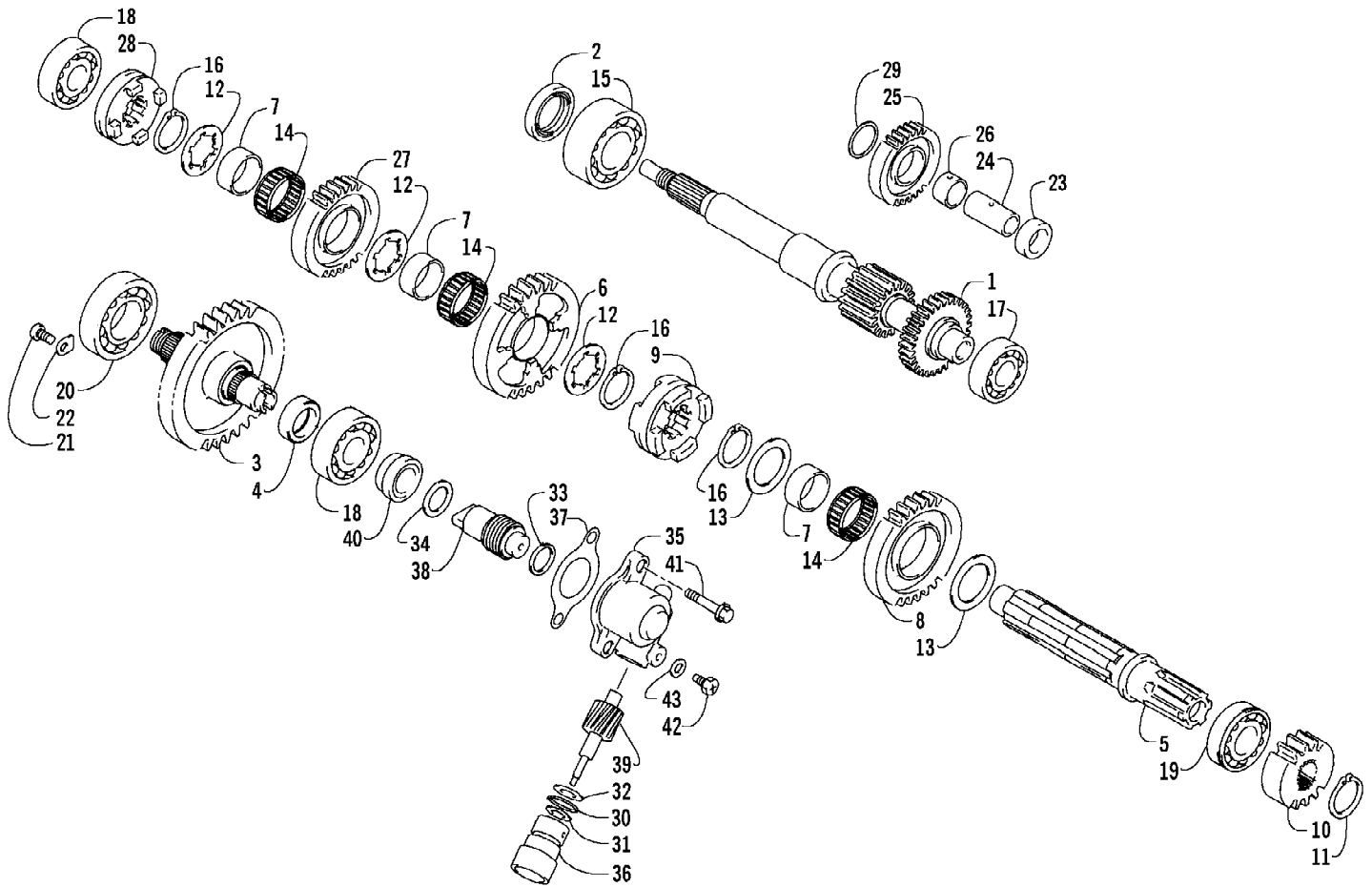
2003 ATV 400 4X4 AUTOMATIC TRANSMISSION (RED) (A2003ATH4BUSR) Page 69 of 91
SEAT ASSEMBLY

Ref #	Part Number	Qty	S/P/F	Description
1	0506-558	1		Seat Assembly (inc. 2-8)
2	0506-556	1		Cover, Seat
3	0506-555	1		Foam, Seat
4	1406-060	1		Foam, Sound
5	0406-878	1		Base, Seat Assembly (inc. 6-7)
6	0406-877	2	/P	Bumper, Seat - Front
7	0406-879	2		Bumper, Seat - Rear
8	0624-100	AR		Staple
9	0506-702	1	/P	Rod, Seat Release - Assembly (inc. 10-12)
10	0506-701	1	S	Rod, Seat Release
11	1406-004	1		Bracket, Seat Release
12	1406-005	1		Spring, Seat Release
13	0506-796	1		Latch, Seat
14	1406-087	1		Plate, Retainer
15	0423-358	1		Clip, Retainer
16	8060-284	1		Rivet
17	0623-404	1		Cap, Protector



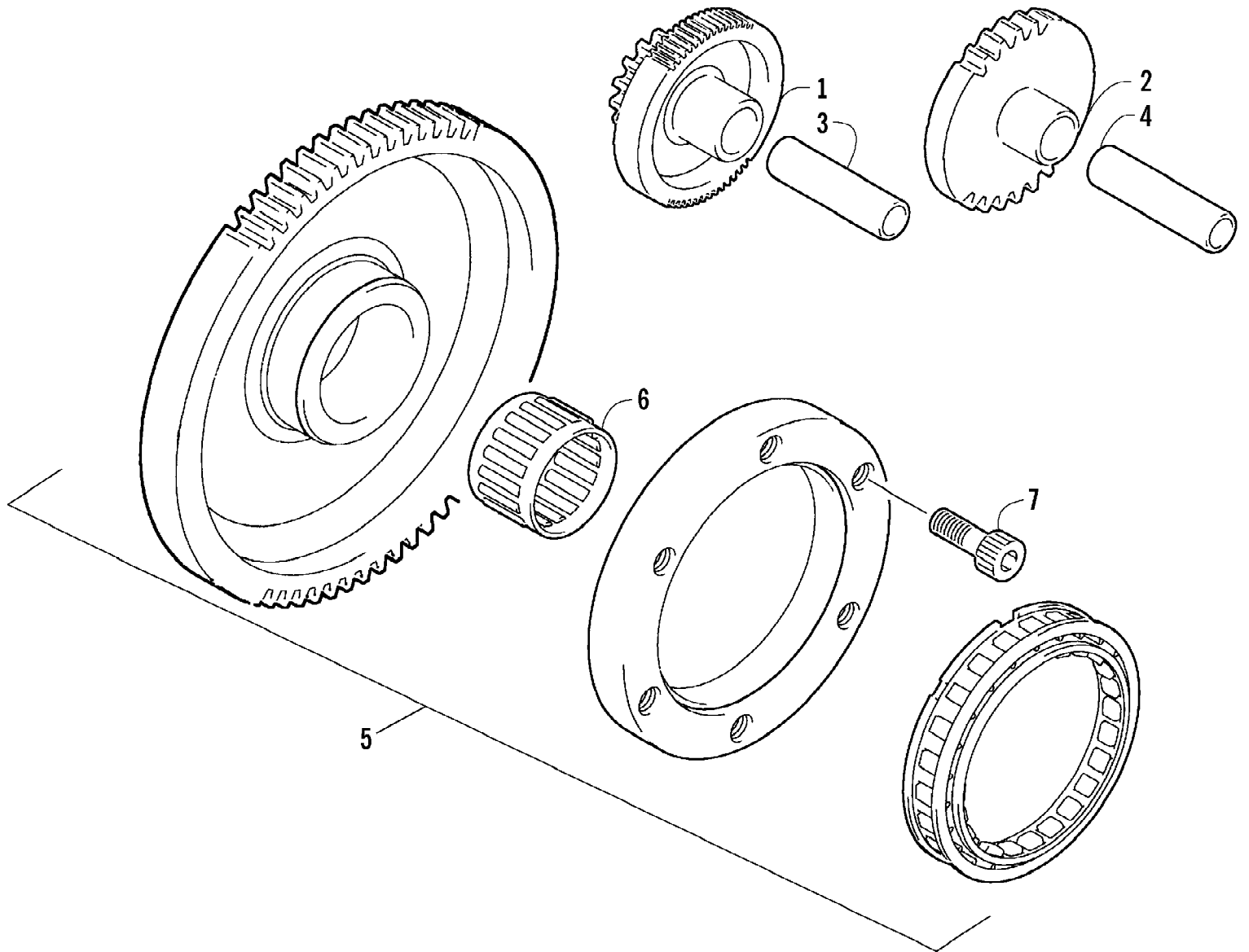
2003 ATV 400 4X4 AUTOMATIC TRANSMISSION (RED) (A2003ATH4BUSR) Page 71 of 91
SECONDARY DRIVE ASSEMBLY

Ref #	Part Number	Qty	S/P/F	Description
1	3435-010	1		Joint, Rear Output - Assembly (inc. 2-8)
2	3435-066	1		Boot, Joint - Set (inc. 3-7)
3	3423-212	1		Band
4	3435-067	1		Boot
5	3423-211	1		Band
6	3423-210	1		Ring, Snap
7	3423-356	1		Seal, Plate
8	0	1	F	Flange, Output
9	8408-820	4	/P	Screw, Cap
10	3423-025	2		Nut
11	3423-028	2		Washer
12	3402-514	1	/P	Flange, Output Joint - Rear
13	3402-072	2		Seal, Oil
14	3402-067	1	S	Bearing
15	3402-017	AR		Shim, 25 x 34 x 0.60 mm
15	3402-018	AR		Shim, 25 x 34 x 0.65 mm
15	3402-019	AR		Shim, 25 x 34 x 0.70 mm
15	3402-020	AR		Shim, 25 x 34 x 0.75 mm
15	3402-021	AR	S	Shim, 25 x 34 x 0.80 mm
15	3402-022	AR		Shim, 25 x 34 x 0.85 mm
15	3402-023	AR		Shim, 25 x 34 x 0.90 mm
15	3402-024	AR		Shim, 25 x 34 x 0.95 mm
20	3423-137	1		Washer
15	3402-025	AR	S	Shim, 25 x 34 x 1.00 mm
15	3402-028	AR		Shim, 25 x 34 x 1.05 mm
15	3402-029	AR		Shim, 25 x 34 x 1.10 mm
15	3402-030	AR		Shim, 25 x 34 x 1.15 mm
15	3402-031	AR		Shim, 25 x 34 x 1.20 mm
16	3402-639	1		Shaft, Secondary Driven - Rear
17	3423-072	1		C-Ring, Driven Bearing
18	3402-515	1	/P	Bearing, Driven Gear
19	3402-638	1		Gear, Secondary Driven
21	3423-136	1		Nut
22	3423-023	1		Nut
23	3005-372	1		Washer
24	3402-637	1		Gear, Secondary Drive
25	3446-035	1		Shim, Secondary Drive Gear - Set
26	3402-559	1		Shaft, Secondary Driven - Front
27	3402-558	1		Bearing
28	3402-560	1		Yoke, Drive Output - Front
29	3402-562	1		Joint, Universal - Set (inc. 30)
30	3423-479	4		Circlip
31	3402-549	1	S	Yoke, Propeller Shaft
32	3402-518	2	S	Boot, Propeller Shaft



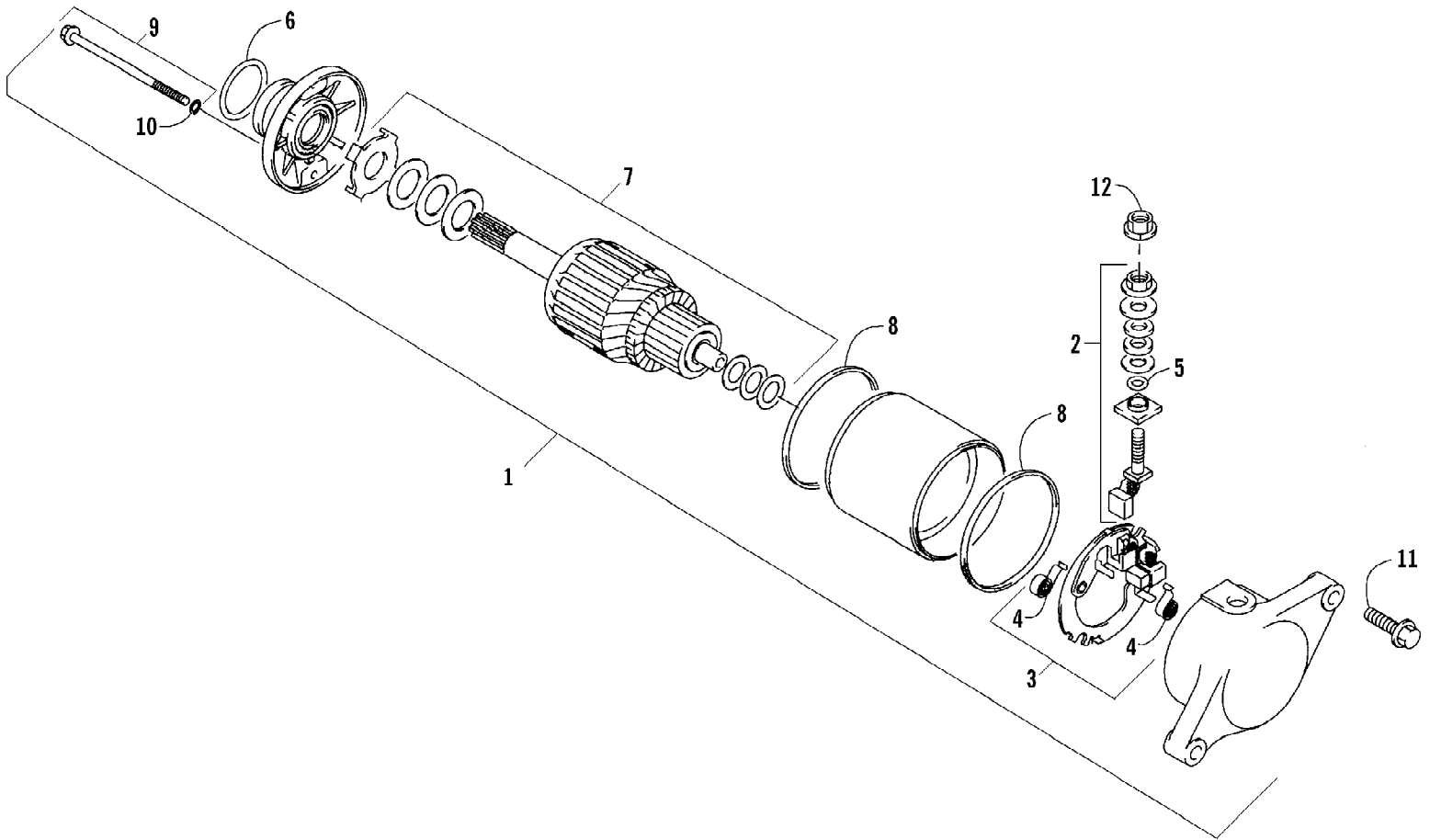
2003 ATV 400 4X4 AUTOMATIC TRANSMISSION (RED) (A2003ATH4BUSR) Page 73 of 91
SECONDARY TRANSMISSION ASSEMBLY

Ref #	Part Number	Qty	S/P/F	Description
1	3402-665	1		Driveshaft
2	3402-500	1	S	Seal, Driveshaft
3	3402-666	1		Shaft, Output
4	3423-494	1		Spacer, Output Shaft
5	3402-667	1		Countershaft
6	3402-668	1	/P	Gear, Driven - Low
7	3402-494	3		Bushing
8	3402-495	1		Gear, Driven - High
9	3402-496	1		Dog, Sliding
10	3402-669	1		Gear, Drive - No. 2
11	3423-191	1	/P	Circlip
12	3423-263	3		Washer
13	3423-448	2		Washer
14	3402-498	3		Bearing
15	3402-499	1		Bearing, Driveshaft
16	3423-066	3	/P	Circlip
17	3003-261	1	/P	Bearing, Driveshaft - Left
18	3402-045	2	/P	Bearing, Shaft
19	3004-209	1	/P	Bearing, Shaft
20	3402-180	1	S	Bearing, Output Shaft
21	3423-435	2		Screw, Bearing Retainer
22	3446-031	2	/P	Retainer, Bearing
23	3423-442	1		Spacer, Reverse Idle Gear
24	3402-634	1		Shaft, Reverse Idle
25	3402-503	1		Gear, Reverse Idle
26	3446-103	1		Bushing, Reverse Idle Gear
27	3402-635	1		Gear, Reverse Driven
28	3402-636	1		Dog, Reverse Driven Gear
29	3402-195	2		Washer, Reverse Idle Gear
30	3423-056	1		O-Ring
31	3402-077	1		Seal, Driven Gear
32	3423-144	1		Washer, Driven Gear
33	3423-336	1		Washer
34	3423-502	1	/P	Washer
35	3446-057	1		Housing, Speedometer Gear
36	3446-058	1		Sleeve
37	3446-244	1	/P	Gasket, Housing
38	3446-284	1		Gear, Drive
39	3446-285	1		Gear, Driven
40	3446-114	1	/P	Spacer, Driven Gear
41	3423-346	2	S	Bolt, Housing
42	3423-143	1	S	Screw, Driven Gear
43	3402-009	1	/P	Washer, Driven Gear



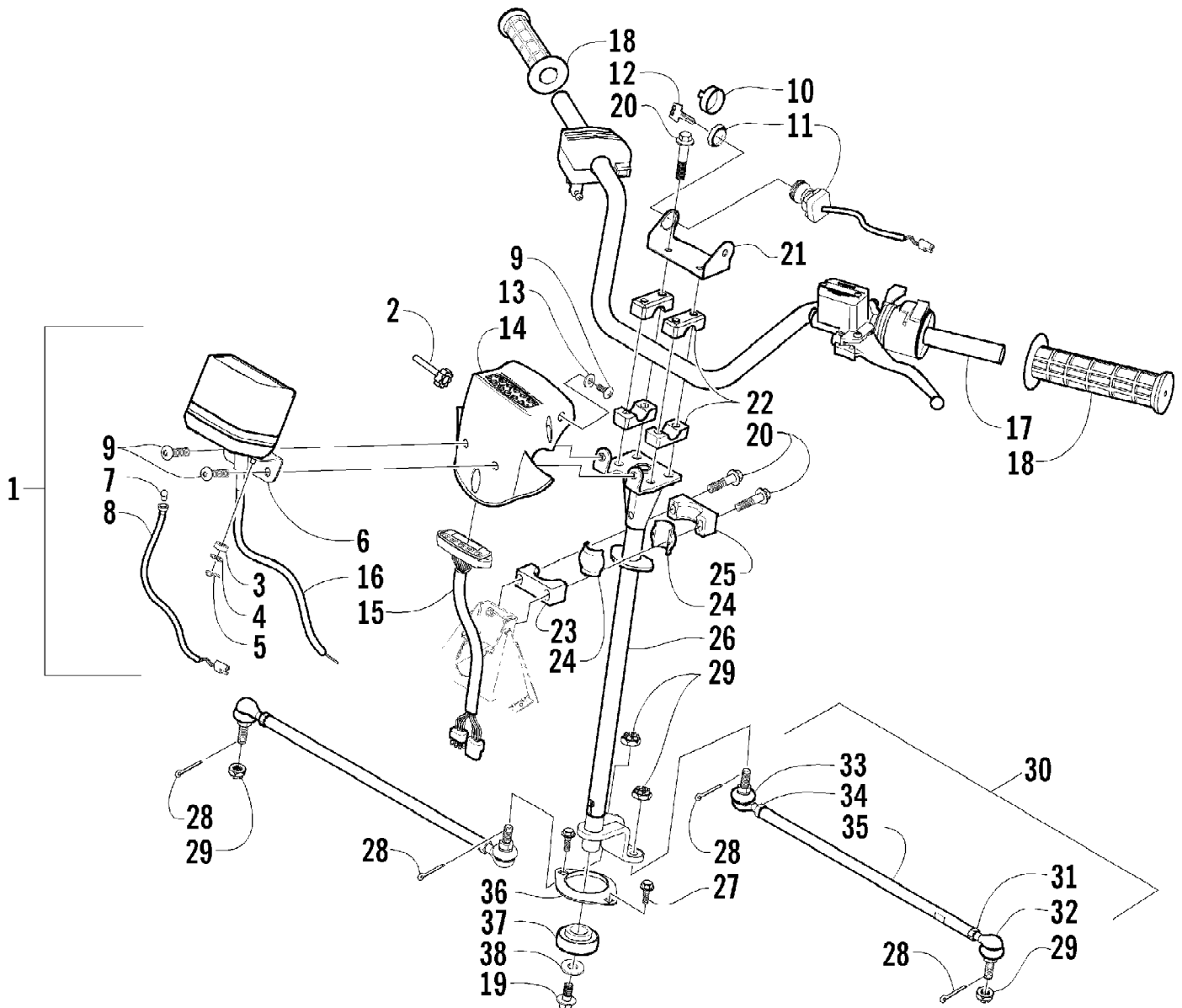
2003 ATV 400 4X4 AUTOMATIC TRANSMISSION (RED) (A2003ATH4BUSR) Page 75 of 91
STARTER CLUTCH ASSEMBLY

Ref #	Part Number	Qty	S/P/F	Description
1	3402-603	1		Gear, Starter Idler - No. 1
2	3402-124	1		Gear, Starter Idler - No. 2
3	3423-221	1	S	Pin, Starter Idler Gear No. 1
4	3423-397	1		Pin, Starter Idler Gear No. 2
5	3402-690	1	S	Clutch, Starter - Set (inc. 6)
6	3402-674	1		Bearing
7	3423-102	6	S	Bolt



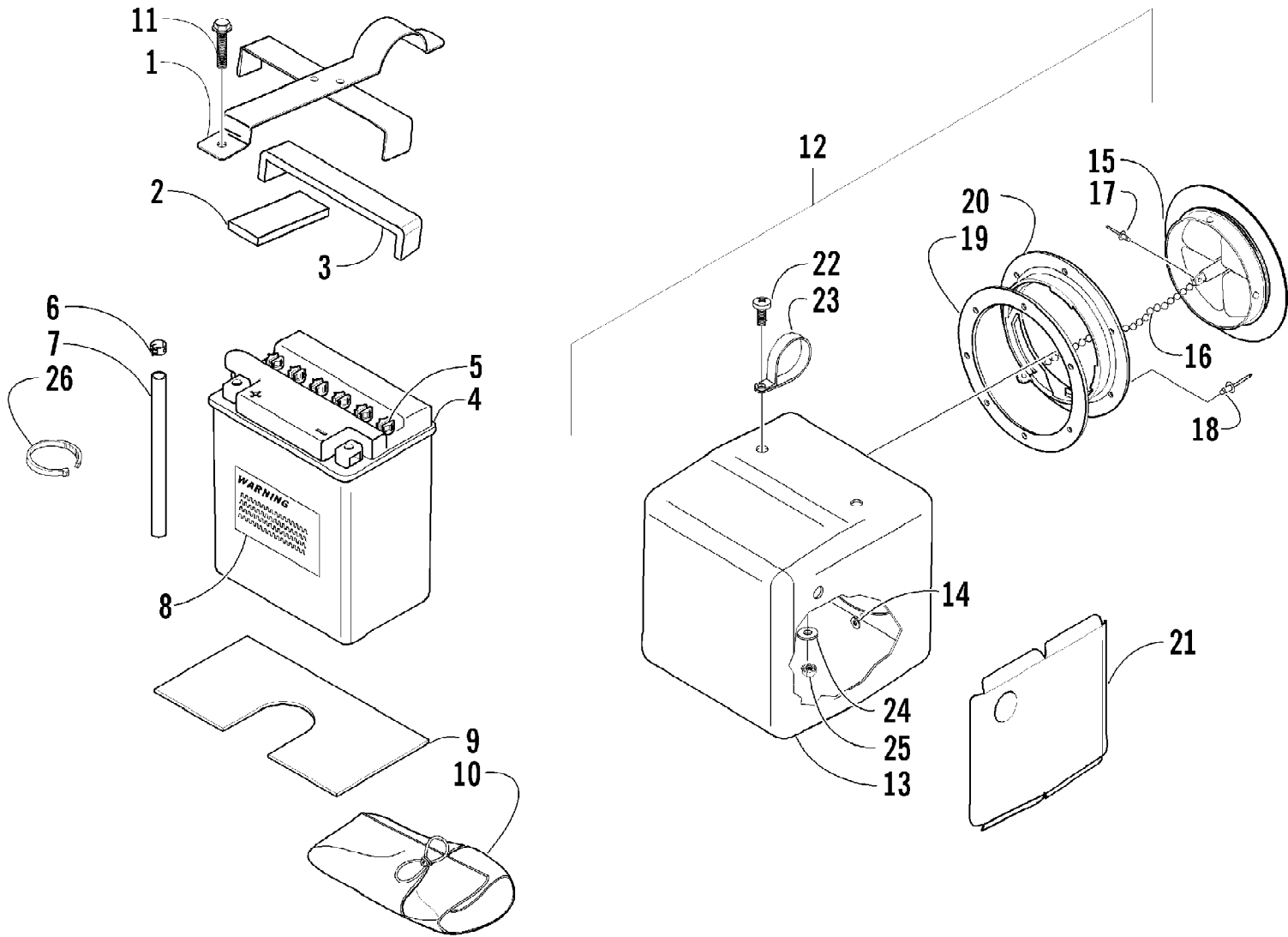
2003 ATV 400 4X4 AUTOMATIC TRANSMISSION (RED) (A2003ATH4BUSR) Page 77 of 91
STARTER MOTOR ASSEMBLY

Ref #	Part Number	Qty	S/P/F	Description
1	3545-016	1		Motor, Starter Assembly (inc. 2-10)
2	3402-671	1		Terminal Set, Brush
3	3402-672	1		Holder Set, Brush
4	3008-551	4		Spring, Brush
5	3008-164	1		O-Ring
6	3423-272	1		O-Ring
7	3008-099	1		Washer Set
8	3423-497	2		O-Ring
9	3423-498	2		Through-Bolt (inc. 10)
10	3423-496	2		O-Ring
11	3004-756	2	S	Bolt
12	3423-195	1	/P	Nut



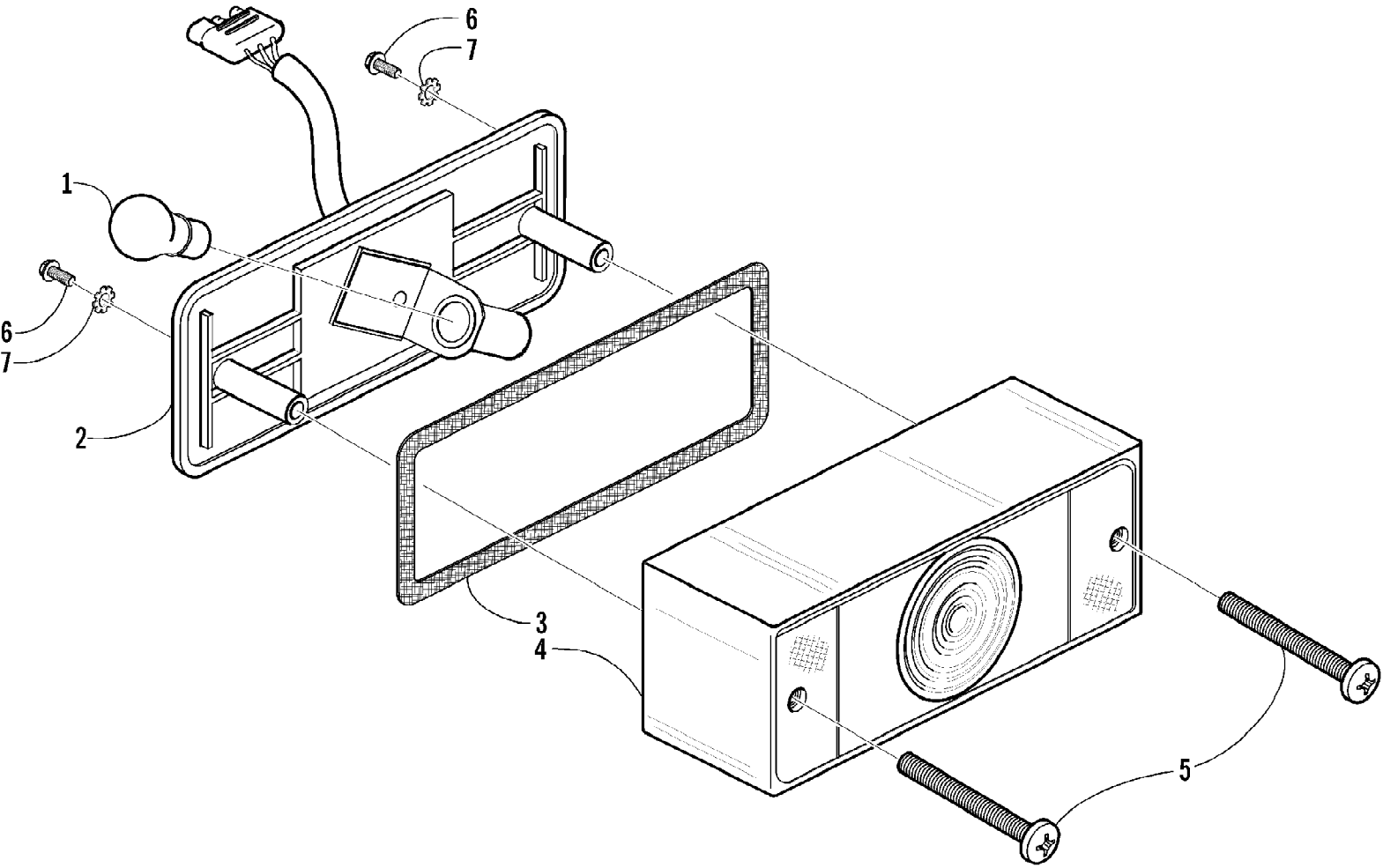
2003 ATV 400 4X4 AUTOMATIC TRANSMISSION (RED) (A2003ATH4BUSR) Page 79 of 91
STEERING ASSEMBLY

Ref #	Part Number	Qty	S/P/F	Description
1	0420-031	1	/P	Speedometer (inc. 2-8)
2	0420-027	1		Knob, Speedometer Trip
3	0420-016	2		Mount, Rubber
4	0420-017	2		Washer
5	0420-015	2		Pin, Retainer
6	0420-018	1		Bracket, Speedometer
7	0620-149	1	/P	Bulb, Speedometer
8	0420-014	1		Harness, Speedometer
9	8477-616	3		Screw, Machine
10	0409-013	1		Cover, Key
11	3430-040	1		Switch, Ignition - Assembly (inc. 12)
12	3409-007	1	/P	Key, Ignition - Blank (C Series)
12	3409-011	1		Key, Ignition - Blank (D Series)
12	3409-012	1		Key, Ignition - Blank (E Series)
12	3409-013	1		Key, Ignition - Blank (F Series)
13	0423-052	1		Collar, Body
14	0405-063	1		Instrument Pod
15	0420-035	1	/P	Panel, LED
16	0487-026	1		Cable, Speedometer
17	0505-410	1		Tube, Handlebar
18	0405-106	2		Grip, Handlebar
19	8409-020	1	/P	Screw, Cap
20	8408-860	6		Screw, Cap
21	0506-348	1	/P	Bracket, Key Switch
22	0405-035	4		Cap, Steering Adjuster
23	0605-171	1		Housing, Bearing - Lower
24	0405-020	2		Bearing, Steering Post
25	0605-147	1	S	Housing, Bearing - Upper
26	0505-423	1	S	Post, Steering
27	8408-816	2		Screw, Cap
28	0623-175	4		Pin, Cotter
29	0423-157	4		Nut, Lock
30	0505-072	2	/P	Tie Rod, Assembly (inc. 31-35)
31	8420-002	2	/P	Nut - Right
32	0405-082	2	S	Ball Joint, Tie Rod - Right
33	0405-083	2	S	Ball Joint, Tie Rod - Left
34	0423-013	2		Nut - Left
35	0405-032	2		Tie Rod
36	0602-233	1		Flange, Bearing
37	0405-052	1		Bearing w/Inverted Oil Seal
38	0423-073	1		Washer



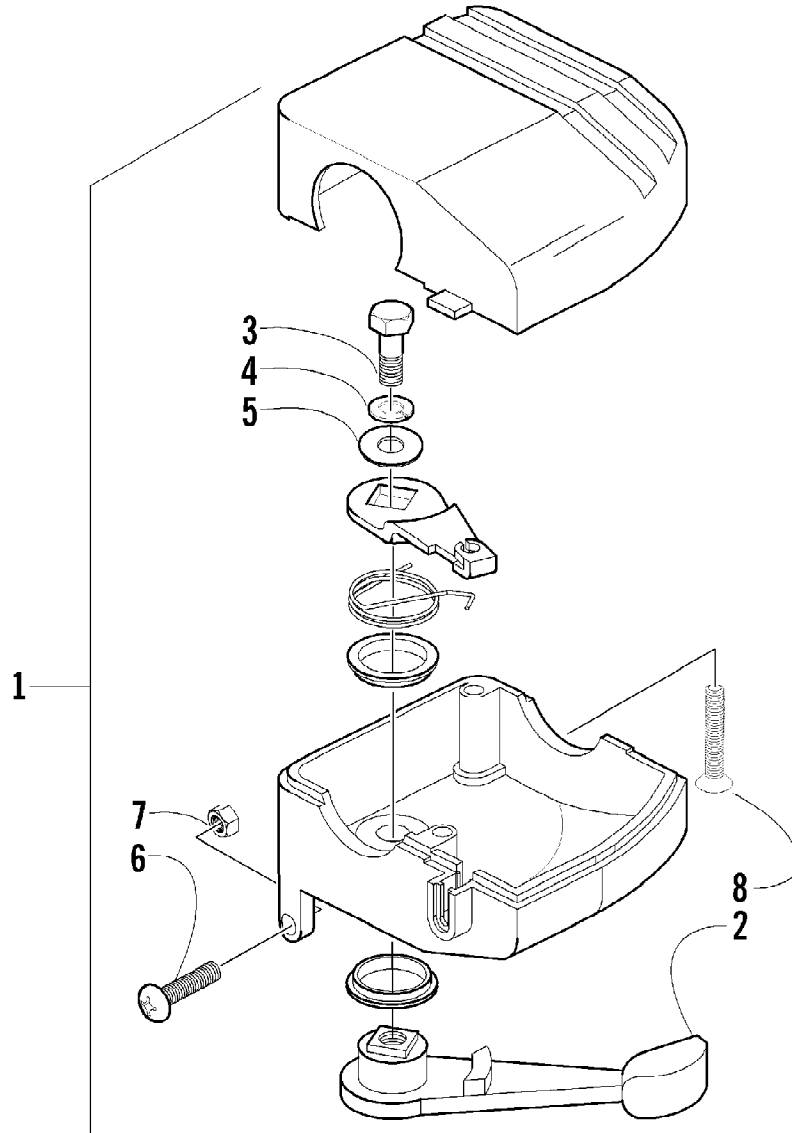
2003 ATV 400 4X4 AUTOMATIC TRANSMISSION (RED) (A2003ATH4BUSR) Page 81 of 91
STORAGE BOX AND BATTERY ASSEMBLY

Ref #	Part Number	Qty	S/P/F	Description
1	0506-178	1		Strap, Battery w/Pads (inc. 2-3)
2	0406-288	1		Pad, Battery - Upper Front
3	0406-289	1		Pad, Battery - Upper Rear
4	0745-045	1	/P	Battery Assembly (inc. 5-8)
5	0645-045	6		Cap, Battery
6	0645-152	1		Clamp, Hose
7	0645-263	1	/P	Hose, Vent
8	0645-151	1		Label, Warning - Battery
9	0406-227	1		Pad, Battery - Lower
10	0444-122	1	S/P	Kit, Tool
11	8477-616	1		Screw, Machine
12	1506-032	1		Storage Box - Assembly (inc. 13-21)
13	1406-236	1		Box, Storage
14	0123-802	6		Washer
15	0406-208	1		Cover, Storage Box
16	0773-401	1		Chain, Cover
17	8060-223	2	S	Rivet
18	8060-630	6		Rivet
19	0673-973	1		Seal, Cover
20	0406-205	1	/P	Ring, Mounting - Cover
21	1406-237	1		Shield, Heat
22	8476-620	4		Screw, Cap
23	0423-044	4		Clamp, Tube
24	0623-184	4		Washer
25	0623-038	4		Nut w/Washer
26	0123-903	2		Cable Tie - 11.5 in.



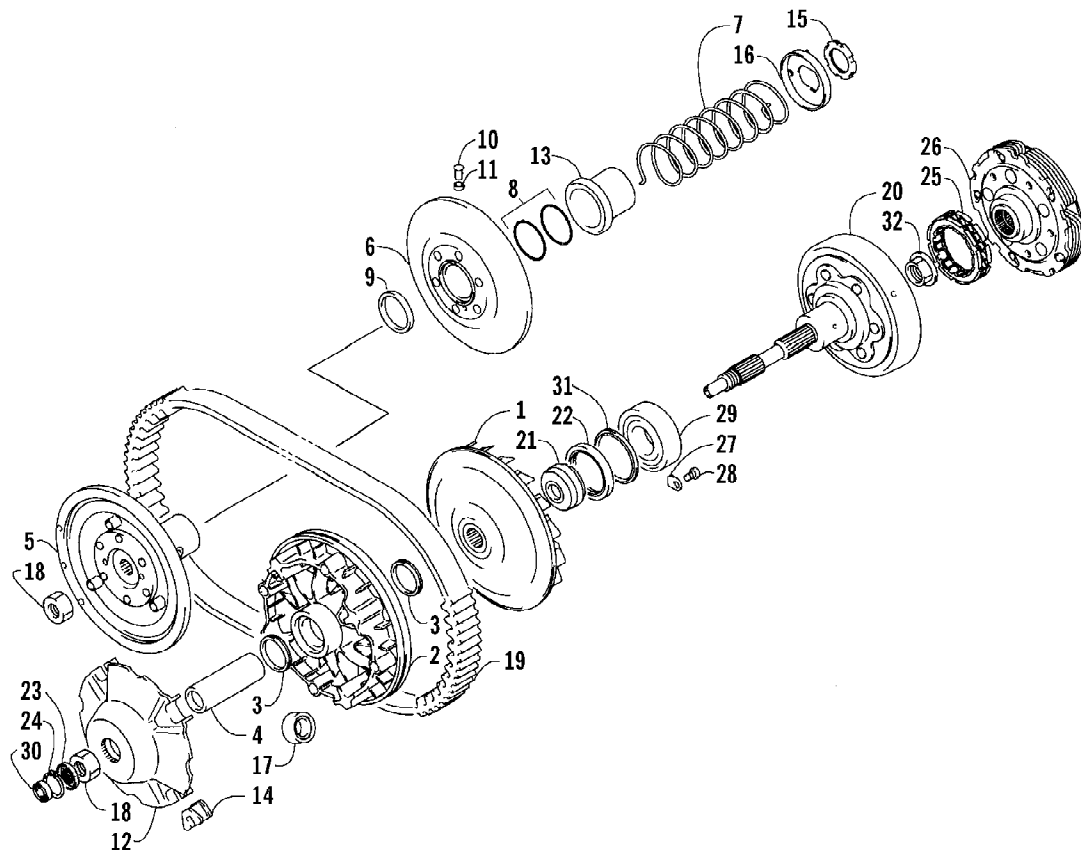
2003 ATV 400 4X4 AUTOMATIC TRANSMISSION (RED) (A2003ATH4BUSR) Page 83 of 91
TAILLIGHT ASSEMBLY

Ref #	Part Number	Qty	S/P/F	Description
	0409-002	1		Complete Taillight Assembly
1	0109-460	1	/P	Bulb, Stop/Taillight
2	0409-011	1		Taillight w/Socket Assembly
3	0409-012	1		Gasket, Taillight Lens
4	0409-007	1		Lens, Taillight
5	0409-010	2		Screw, Machine
6	0623-301	2	/P	Screw, Self-Tapping
7	8053-212	2	/P	Washer, Lock - External Tooth



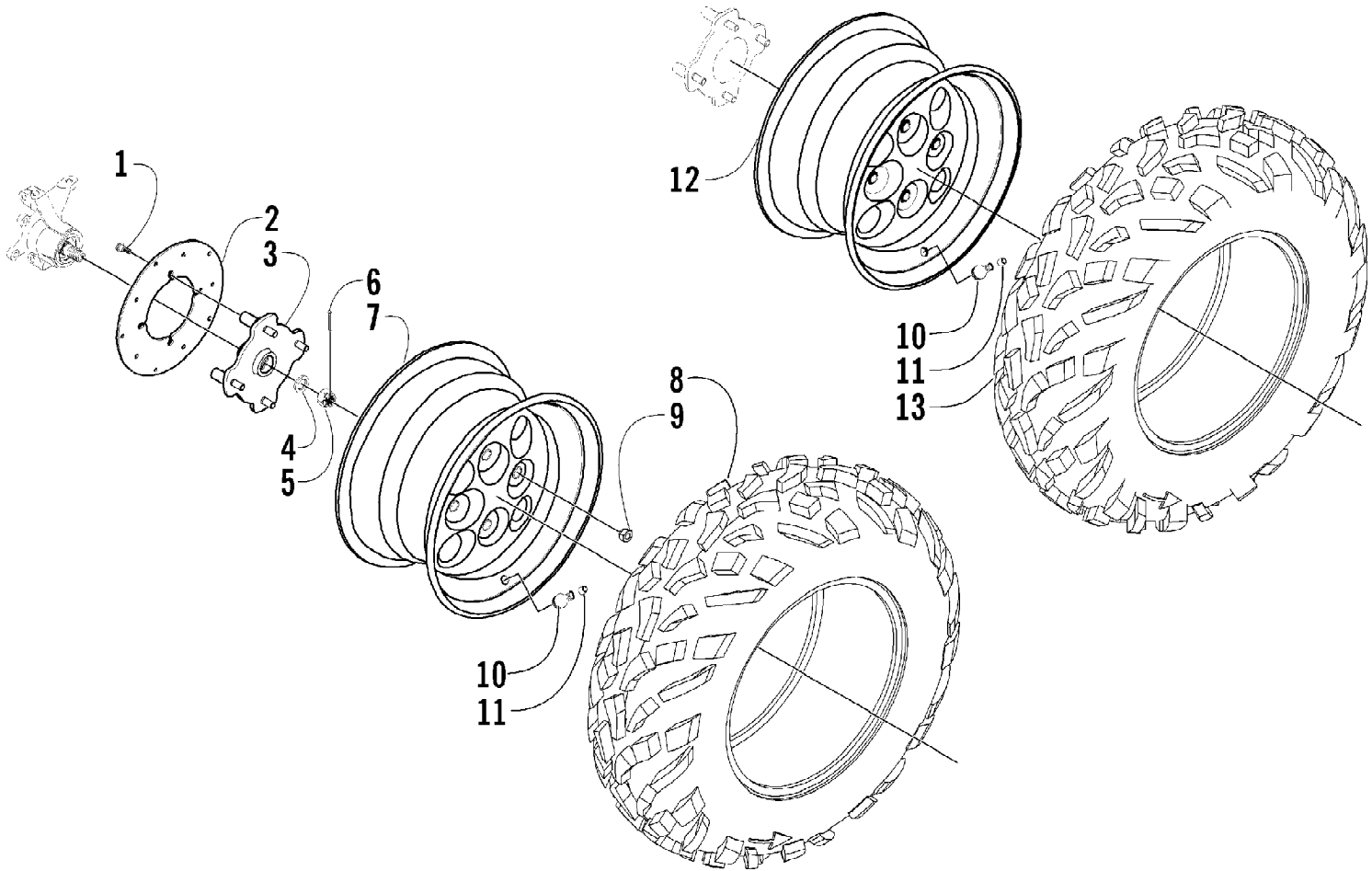
2003 ATV 400 4X4 AUTOMATIC TRANSMISSION (RED) (A2003ATH4BUSR) Page 85 of 91
THROTTLE CASE ASSEMBLY

Ref #	Part Number	Qty	S/P/F	Description
1	3509-003	1	/P	Case, Throttle - Assembly (inc. 2-8)
2	3409-001	1		Lever
3	3004-533	1	S/P	Screw, Cap
4	3004-447	1	/P	Washer, Lock
5	3003-030	1	/P	Washer
6	3423-014	1		Screw
7	3423-327	1		Nut
8	3423-199	2		Screw



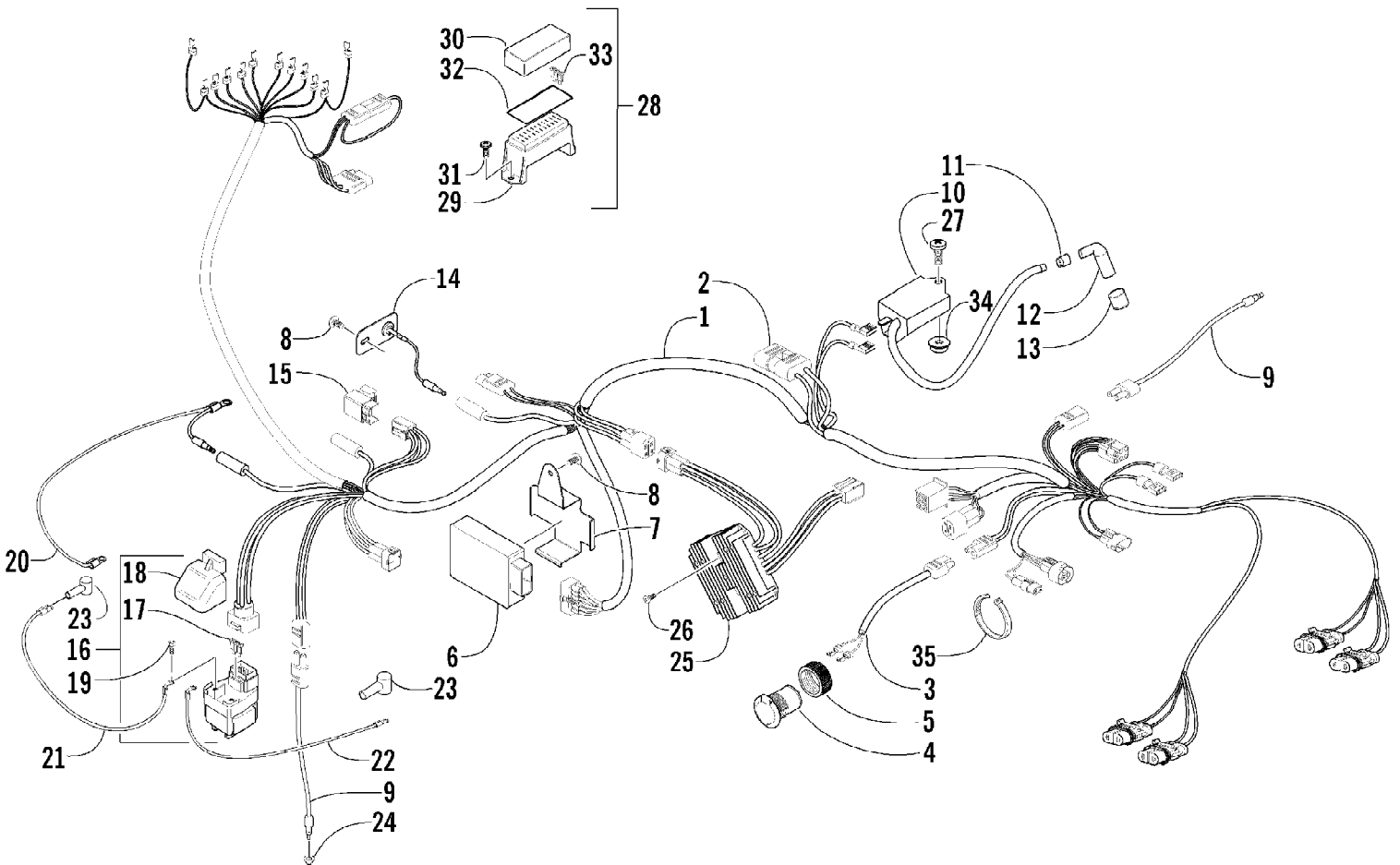
2003 ATV 400 4X4 AUTOMATIC TRANSMISSION (RED) (A2003ATH4BUSR) Page 87 of 91
TRANSMISSION ASSEMBLY

Ref #	Part Number	Qty	S/P/F	Description
1	3402-622	1		Face, Fixed Drive
2	3402-623	1		Face, Movable Drive
3	3402-624	2		Seal, Movable Drive Face
4	3402-625	1		Spacer, Movable Drive Face
5	3402-626	1	S	Face, Fixed Driven
6	3402-627	1		Face, Movable Driven
7	3423-486	1		Spring, Movable Driven Face
8	3423-487	2		O-Ring, Movable Driven Face
9	3402-629	2		Seal, Movable Driven Face
10	3402-477	3		Pin, Movable Driven Face
11	3402-478	3		Spacer, Movable Driven Face
12	3402-630	1		Plate, Movable Drive Face
13	3402-631	1		Sleeve, Movable Driven Face
14	3402-481	4		Damper, Movable Drive Face
15	3423-489	1		Nut, Driven Pulley
16	3402-632	1		Holder, Movable Driven Face Spring
17	3402-633	8		Roller, Movable Drive Face
18	3423-437	2		Nut
19	3402-664	1		V-Belt
20	3402-620	1		Housing, Clutch
21	3402-621	1		Spacer, Fixed Drive Face
22	3402-535	1	S	Seal, Clutch Housing
23	3402-574	1		Seal, Clutch Housing
24	3423-505	1	S	Circlip
25	3446-003	1		Clutch, One Way
26	3446-278	1	S	Shoe, Clutch - Assembly
27	3446-031	2	/P	Retainer, Bearing
28	3423-435	2		Screw, Bearing Retainer
29	3402-567	1		Bearing
30	3402-693	1		Bearing
31	3423-353	1	/P	O-Ring
32	3423-501	1		Nut



2003 ATV 400 4X4 AUTOMATIC TRANSMISSION (RED) (A2003ATH4BUSR) Page 89 of 91
WHEEL AND TIRE ASSEMBLY

Ref #	Part Number	Qty	S/P/F	Description
1	0423-029	8		Screw, Machine
2	0402-874	2	S	Disc, Brake
3	0502-360	2	S	Hub, Wheel - Front
4	0402-181	2		Seal, Hub
5	0423-394	2		Nut, Hex
6	0123-458	2	/P	Pin, Cotter
7	0402-856	2		Wheel - Front
8	0402-890	2		Tire - Front
9	0423-408	16	/P	Nut, Mounting - Wheel
10	0402-064	4		Stem, Valve (inc. 11)
11	0402-140	4		Cap, Valve Stem
12	0402-989	2		Wheel - Rear
13	0402-887	2		Tire - Rear



2003 ATV 400 4X4 AUTOMATIC TRANSMISSION (RED) (A2003ATH4BUSR) Page 91 of 91
WIRING HARNESS ASSEMBLY

Ref #	Part Number	Qty	S/P/F	Description
1	0486-106	1		Harness, Main (inc. 2)
2	0486-029	1		Diode (Start In Gear)
3	0486-004	1		Harness, 12V Receptacle
4	0445-022	1	S	Receptacle, 12V (inc. 5)
5	0445-034	1		Nut, Retainer
6	3402-683	1		CDI Unit
7	0506-982	1	/P	Bracket, CDI Unit
8	8476-616	2		Screw, Machine
9	0409-009	2		Switch, Brake
10	3430-055	1		Coil, Ignition - Assembly
11	3430-009	1	/P	Seal, High Tension Wire
12	3430-007	1	/P	Cap, Spark Plug
13	3430-008	1	/P	Seal, Spark Plug Cap
14	0509-011	1	S	Diode Assembly
15	3530-008	1	S	Relay, Neutral Start - Assembly
16	3530-001	1	/P	Relay, Starter Motor - Assembly (inc. 17-18)
17	0630-098	1		Fuse, 30 Amp
18	3530-010	1		Cover, Starter Motor Relay
19	3423-020	2	/P	Screw, Cap
20	0445-020	1		Cable, Battery/Ground
21	0445-003	1	/P	Cable, Battery/Electric Start Relay
22	0445-019	1		Cable, Electric Start Relay/Starter
23	0645-019	2		Boot, Terminal
24	0402-991	2		Retainer, Brake Switch
25	3402-682	1		Regulator, Voltage
26	8476-625	2		Screw, Machine
27	8476-620	2		Screw, Machine
28	0530-001	1		Block, Fuse - Assembly (inc. 29-30)
29	0	1	F	Block, Fuse
30	0	1	F	Cover, Fuse Block
31	0623-361	2		Screw, Self-Tapping
32	0411-271	1		Decal, Fuse Block
33	0630-057	4		Fuse, 10 Amp
33	0630-058	2		Fuse, 15 Amp
34	8424-602	1	/P	Nut, Flange
35	0123-788	AR	/P	Cable Tie - 7 in.