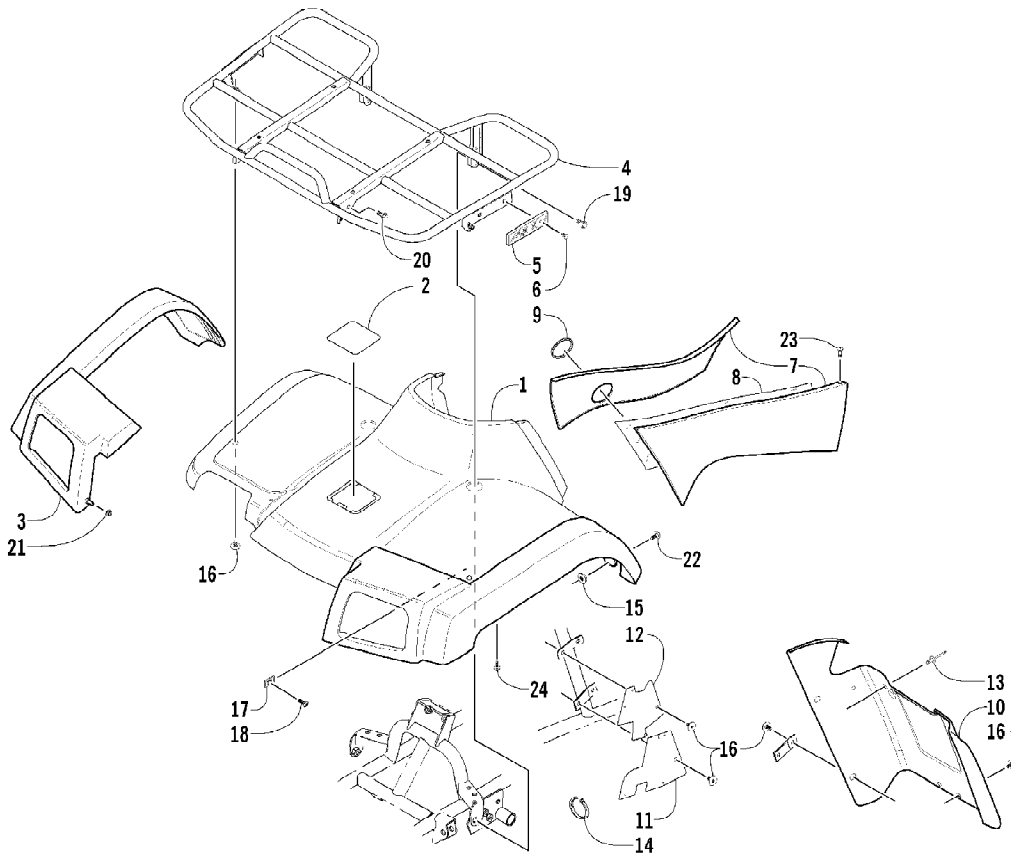


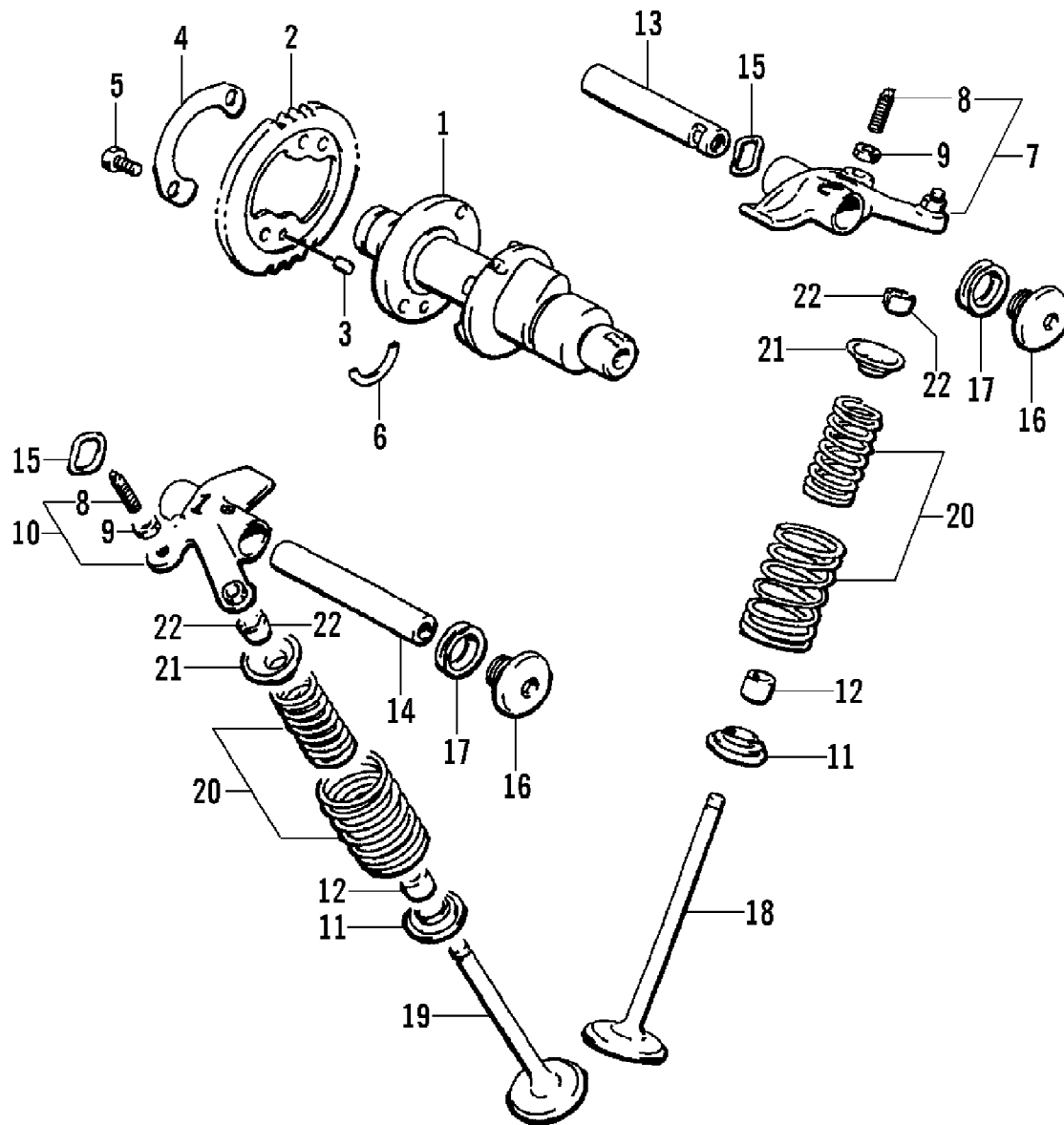
Ref #	Part Number	Qty	S/P/F	Description
1	0423-019	1		Clamp
2	0470-455	1		Boot, Air Intake
3	0423-018	2		Clamp
4	0470-446	1	/P	Housing, Air Intake
5	0623-101	1		Clip, Retaining
6	0470-343	1		Gasket
7	0470-383	1	/P	Snorkel
8	0470-307	4		Clamp
9	0423-037	4		Spring
10	0623-121	4		Screw, Machine
11	0123-010	4	/P	Nut, Expansion
12	0410-004	1		Hose, Crankcase Vent
13	0470-391	1	/P	Filter, Air
14	0412-141	1		Shield, Heat
15	0470-442	1	/P	Valve, Drain
16	1673-272	1	/P	Cap, Drain Tube
17	0423-047	1		Clamp, Hose
18	0423-045	2		Clamp, Hose
19	0470-351	2		Support, Air Intake Flange



Ref #	Part Number	Qty	S/P/F	Description
1	0506-584	1		Panel, Fender - Front (inc. 2)
2	0406-975	1	S	Cover, Access
3	0506-550	1		Flare - Front Right
3	0506-551	1		Flare - Front Left
4	0506-547	1		Rack - Front
5	0606-526	2		Reflector, Front - Amber
6	0623-269	4		Clip, Retaining
7	0506-549	1		Panel, Side - Right
7	0506-673	1		Panel, Side - Left
8	0412-142	1		Shield, Heat
9	0470-404	1		Grommet, Fuel Shut-Off Valve
10	0406-941	1	/P	Panel, Kick - Right
10	0506-630	1	/P	Panel, Kick - Left
11	1406-006	1		Panel, Fender - Inner
12	1406-063	1		Panel, Fender - Inner Right
12	1406-064	1		Panel, Fender - Inner Left
13	0423-046	AR		Rivet, Plastic
14	0123-788	AR	/P	Cable Tie - 7.5 in.
15	0423-077	2	/P	T-Nut w/Teeth
16	0423-101	AR		Screw, Body
17	0423-031	2		Nut, Speed
18	8477-616	2		Screw, Machine
19	8408-816	2		Screw, Cap
20	0423-360	2		Screw, Cap
21	0423-357	2		Nut, Stamped
22	0423-356	2		Screw, Shoulder
23	0623-309	2		Screw, Self-Tapping
24	0423-342	6	/P	Screw, Self-Tapping



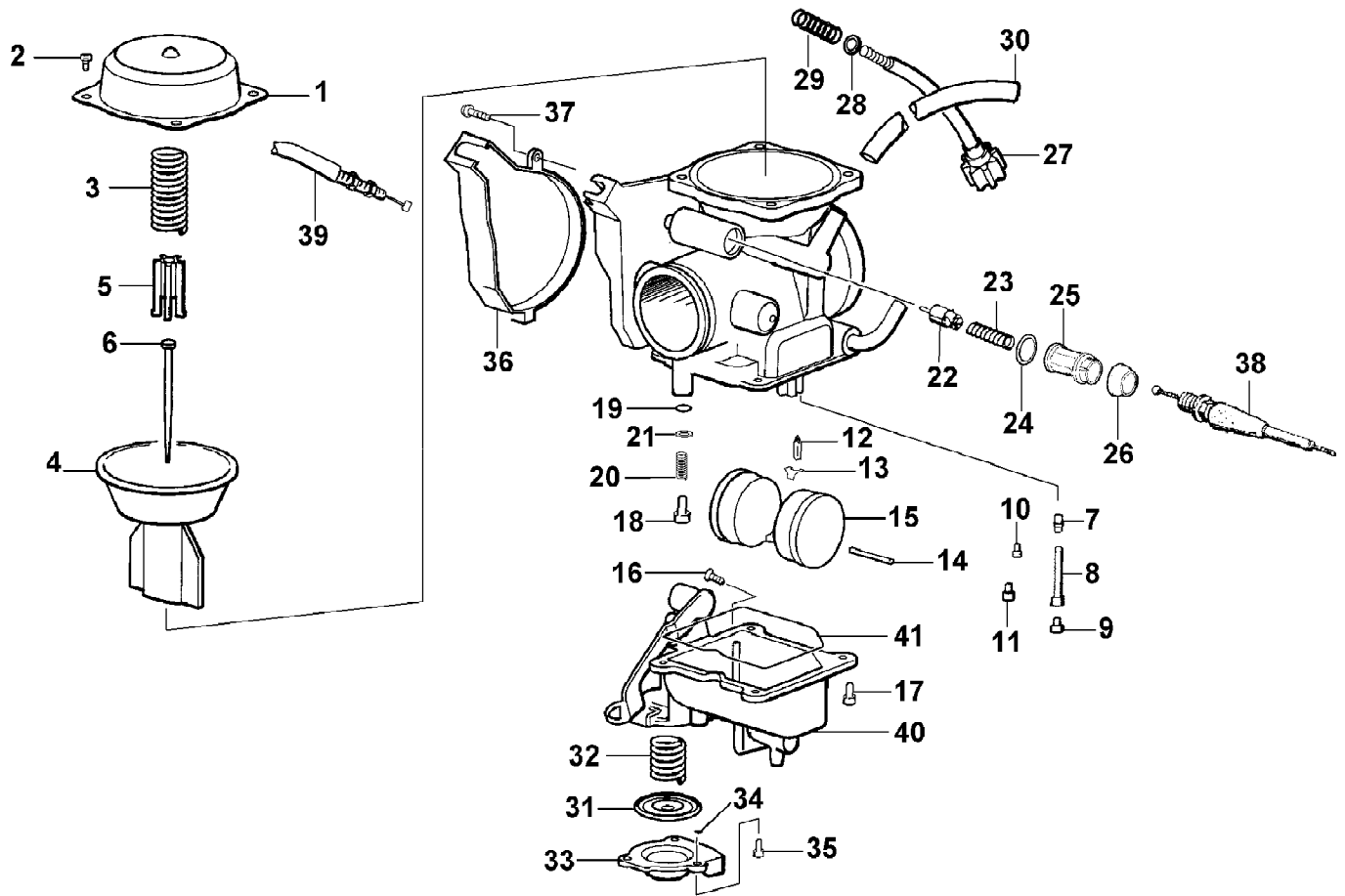
Ref #	Part Number	Qty	S/P/F	Description
1	3402-353	1		Chain, Cam
2	3402-355	1		Guide, Chain
3	3402-356	1		Tensioner, Chain
4	3423-074	1		Bolt
5	3003-188	1	S/P	Washer
6	3402-136	1		Adjuster, Tensioner - Assembly
7	3402-137	1		Gasket
8	3004-475	2	S	Bolt
9	3003-290	2	/P	Gasket



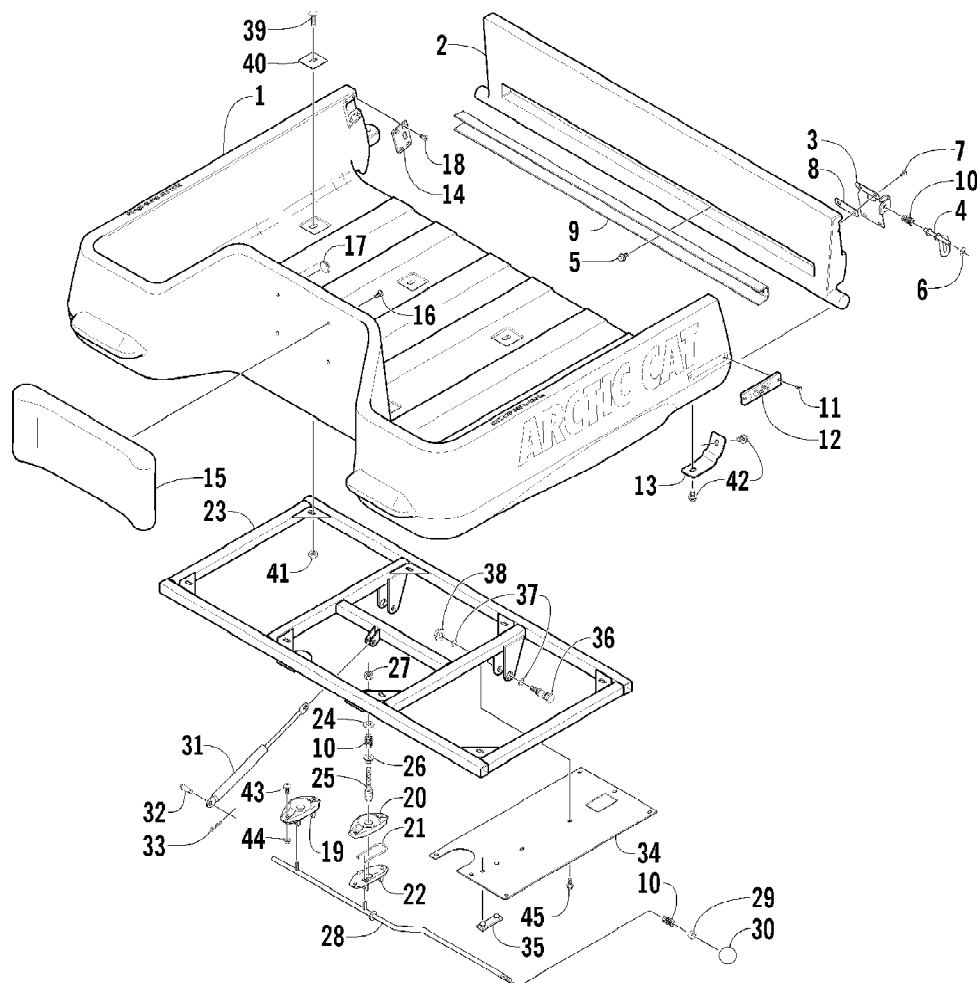
2002 ATV 500 AUTOMATIC TRANSMISSION TBX (A2002BXM4BUSG)
CAMSHAFT/VALVE ASSEMBLY

Page 8 of 93

Ref #	Part Number	Qty	S/P/F	Description
1	3402-027	1	S	Camshaft
2	3402-352	1		Sprocket
3	3423-047	1		Pin
4	3423-073	1		Washer
5	3423-013	2	S	Bolt
6	3423-071	1	/P	C-Ring
7	3402-138	1	S	Arm, Valve Rocker - Intake (inc. 8-9)
8	3423-075	4		Screw
9	3423-076	4		Nut
10	3402-139	1		Arm, Valve Rocker - Exhaust (inc. 8-9)
11	3402-148	4		Seat, Spring
12	3402-078	4		Seal, Oil
13	3402-140	1		Shaft, Rocker Arm
14	3402-141	1		Shaft, Rocker Arm
15	3423-031	2		Washer
16	3402-040	2	/P	Plug, Shaft
17	3402-012	2		Gasket
18	3402-142	2	S	Valve, Intake
19	3402-143	2		Valve, Exhaust
20	3402-144	4		Spring, Valve - Set
21	3402-146	4	S	Retainer, Spring
22	3402-147	8		Cotter, Valve



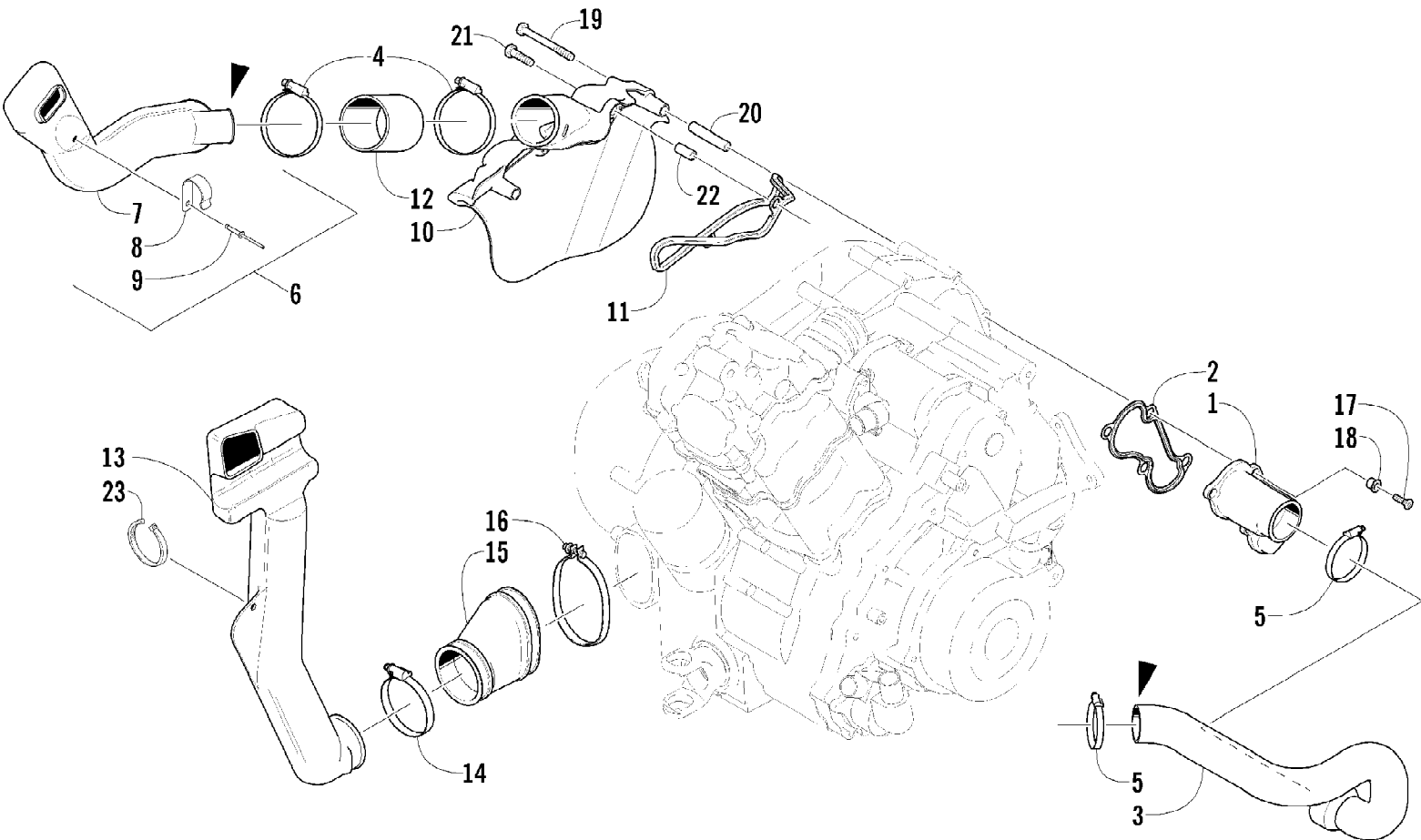
Ref #	Part Number	Qty	S/P/F	Description
	0470-449	1	/P	Complete Assembly
1	5507-001	1		Cover, Top
2	5507-002	4	/P	Screw, Top Cover
3	5507-085	1	S	Spring
4	5507-004	1	/P	Piston, Vacuum
5	5507-054	1		Spring, Seat
6	5507-006	1		Jet Needle
7	5507-007	1		Needle Jet
8	5507-047	1	/P	Holder, Needle Jet
9	5507-086	1		Main Jet - 148
9	5507-009	1	/P/F	Main Jet - 150
9	5507-041	1	F	Main Jet - 147
9	5507-043	1	F	Main Jet - 142
9	5507-044	1	F	Main Jet - 140
10	5507-010	1	S	Slow Jet
11	5507-011	1		Starter Jet - 102
12	5507-038	1		Valve, Float - Set (inc. 13)
13	0	1	F	Clip
14	0	1	F	Pin, Float
15	5507-039	1		Float Set (inc. 14)
16	5507-050	1	/P	Screw, Drain
17	5507-089	4	S	Screw
18	5507-040	1		Screw, Pilot Air - Set (inc. 19-21)
19	0	1	F	O-Ring
20	0	1	F	Spring
21	0	1	F	Washer
22	5507-022	1		Valve, Starter
23	5507-023	1		Spring
24	5507-024	1		O-Ring
25	5507-025	1		Cap
26	5507-026	1		Cap, Rubber
27	5507-027	1		Screw, Idle Adjust
28	5507-028	1		Washer
29	5507-029	1		Spring
30	5507-084	1	S	Tube, Vinyl
31	5507-031	1	S	Diaphragm Assembly
32	5507-032	1		Spring
33	0	1	F	Housing, Pump
34	5507-034	1		U-Ring
35	5507-035	3		Screw
36	5507-036	1		Cover
37	5507-037	1	/P	Screw
38	0487-016	1		Cable, Choke
39	0487-021	1	S	Cable, Throttle
40	5507-065	1		Chamber, Float - Assembly (inc. 16, 31-35, and 41)
41	5507-067	1	/P	O-Ring, Float Chamber



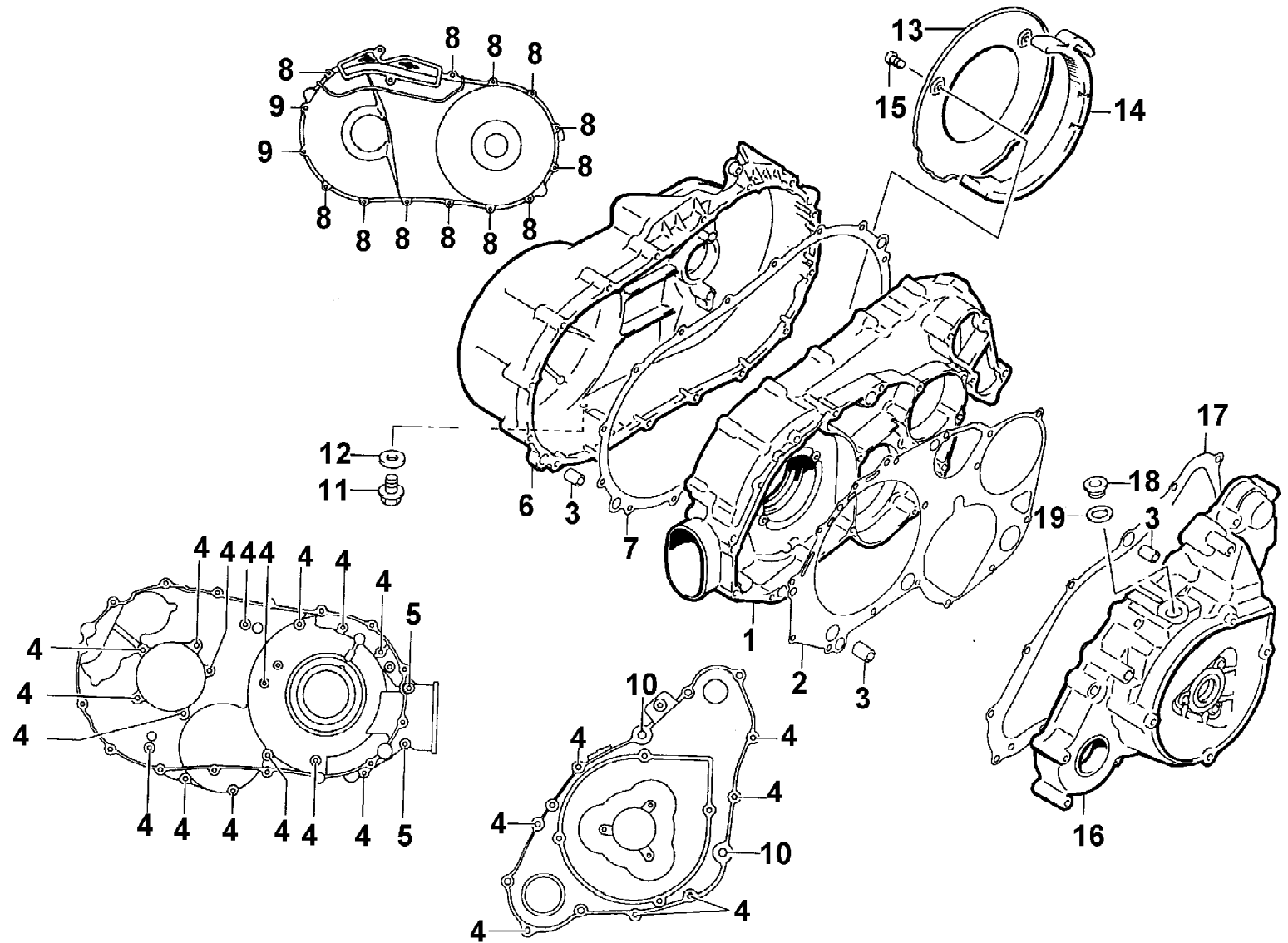
2002 ATV 500 AUTOMATIC TRANSMISSION TBX (A2002BXM4BUSG)
CARGO BOX AND TILT FRAME ASSEMBLY

Ref #	Part Number	Qty	S/P/F	Description
1	0506-509	1		Box, Cargo
2	0506-622	1		Tailgate Assembly (inc. 3-9 and two No. 10)
3	0506-504	1		Body, Latch - Right
3	0506-505	1		Body, Latch - Left
4	0506-502	1		Pin, Latch - Right
4	0506-503	1		Pin, Latch - Left
5	8408-812	4		Bolt
6	0406-933	2		Guide, Pin
7	8476-612	8		Screw, Machine
8	1406-088	4		Shim, Latch
9	0406-807	1		Channel
10	0406-934	5		Spring
11	0623-269	4		Clip, Retaining
12	0606-029	2		Reflector - Red
13	0406-932	2	S	Bracket, Hinge
14	0406-931	2	S	Plate, Striker - Latch
15	0506-686	1		Backrest
16	8476-620	4		Screw, Machine
17	0616-348	4		Cap
18	8474-616	9		Screw, Machine
19	0506-685	2	S	Latch Assembly (inc. 20-22)
20	1673-634	2		Back, Latch
21	0673-023	2		Clip, Retaining
22	1673-635	2		Cover, Latch
23	0506-501	1		Frame, Tilt
24	8050-282	4	/P	Washer
25	0423-354	2		Stud, Latch
26	0423-120	2		Nut, Wheel
27	0423-157	2		Nut, Lock
28	0506-687	1		Rod, Release
29	8042-486	1	/P	Nut
30	1406-022	1		Knob, Release Rod
31	0506-719	1		Support, Lift
32	0423-374	2		Pin, Clevis
33	0623-846	2		Pin, Cotter
34	0412-153	1		Shield, Heat
35	0406-879	1		Bumper, Seat
36	0423-353	2		Pin, Pivot
37	0423-096	4		O-Ring
38	0423-388	2		Nut, Flange
39	0423-341	8		Bolt, Carriage
40	0406-937	8	S	Plate, Retaining
41	8424-802	8		Nut, Flange
42	0423-360	4		Screw, Cap
43	8476-620	4		Screw, Machine
44	8424-602	4	/P	Nut, Flange
45	0623-361	8		Screw, Self-Tapping

2002 ATV 500 AUTOMATIC TRANSMISSION TBX (A2002BXM4BUSG)
CASE/BELT COOLING ASSEMBLY



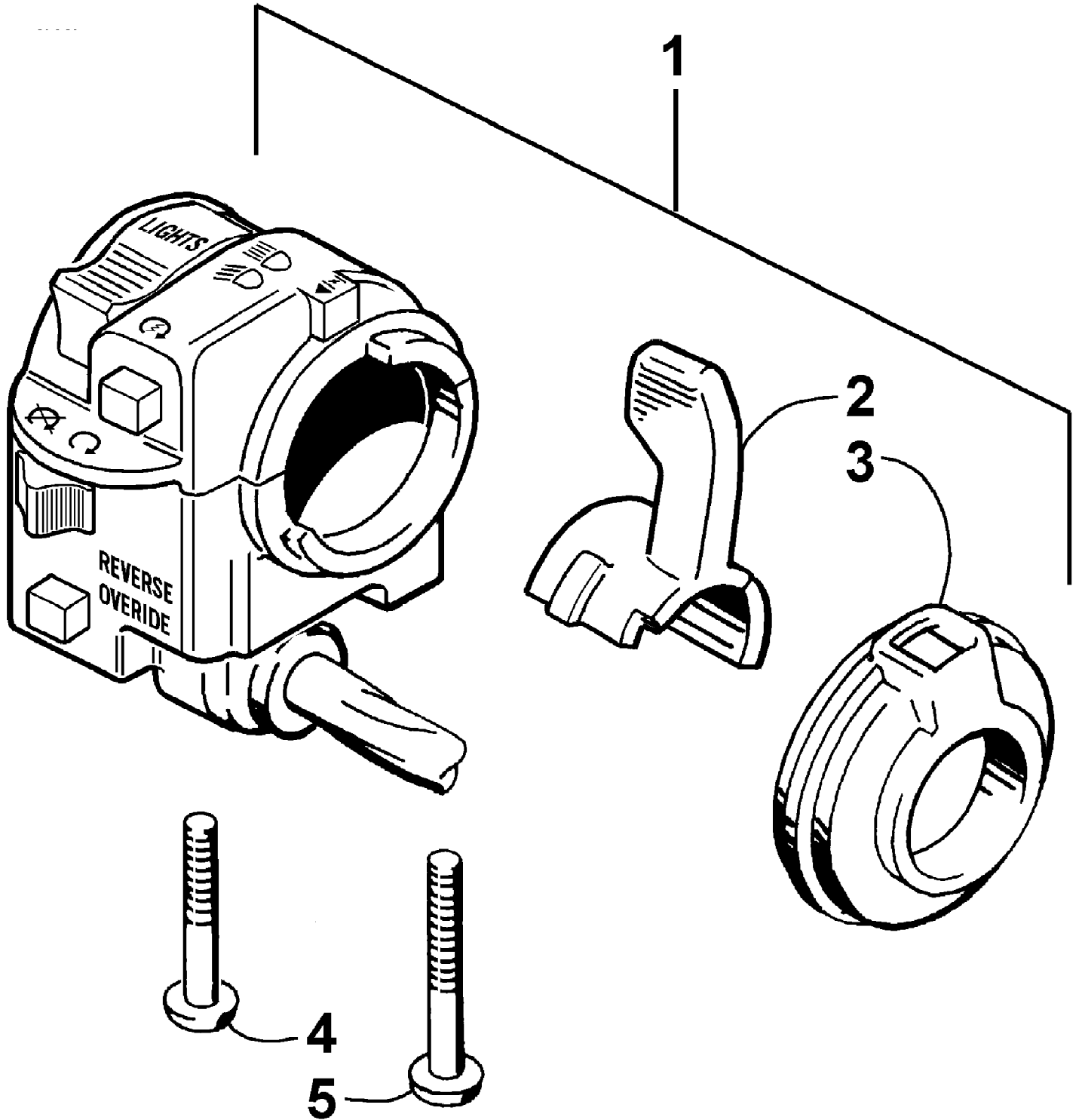
Ref #	Part Number	Qty	S/P/F	Description
1	0413-034	1		Manifold, Rear Cooling Duct
2	0413-036	1		Gasket, Rear Cooling Duct
3	0413-054	1		Tube, Belt Cooling - Lower
4	0423-379	2		Clamp, Hose
5	0423-383	2		Clamp, Tube
6	0513-003	1	/P	Duct, Cooling - Assembly (inc. 7-9)
7	0513-002	1	S	Duct, Cooling
8	0423-344	1		Clip, Mounting
9	0623-685	1		Rivet
10	0413-030	1		Connector, Duct
11	0413-037	1		Gasket, Duct Connector
12	0413-040	1		Tube, Belt Cooling - Upper
13	0413-042	1		Duct, Belt Cooling
14	0423-380	1	/P	Clamp, Duct
15	0413-049	1		Boot, Duct - Front
16	3402-449	1	/P	Clamp, Duct
17	8476-616	4		Screw, Machine
18	0423-372	4		Spacer
19	3423-393	2	S	Bolt, Duct
20	0423-331	2		Spacer
21	8410-620	2		Screw, Cap
22	0423-314	2		Spacer
23	0123-788	1	/P	Cable Tie - 7.5 in.



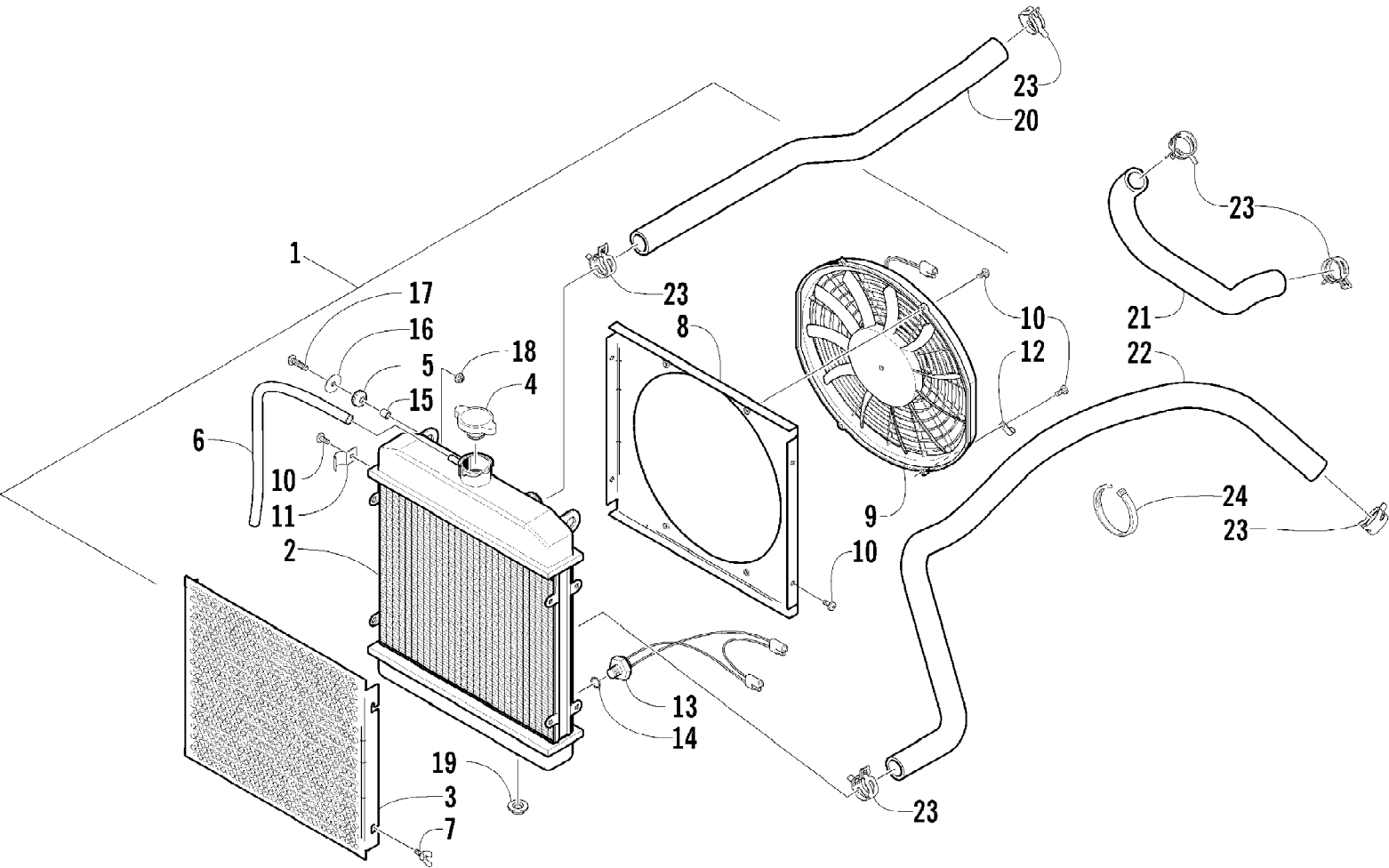
2002 ATV 500 AUTOMATIC TRANSMISSION TBX (A2002BXM4BUSG)
CLUTCH/V-BELT/MAGNETO COVER ASSEMBLY

Page 16 of 93

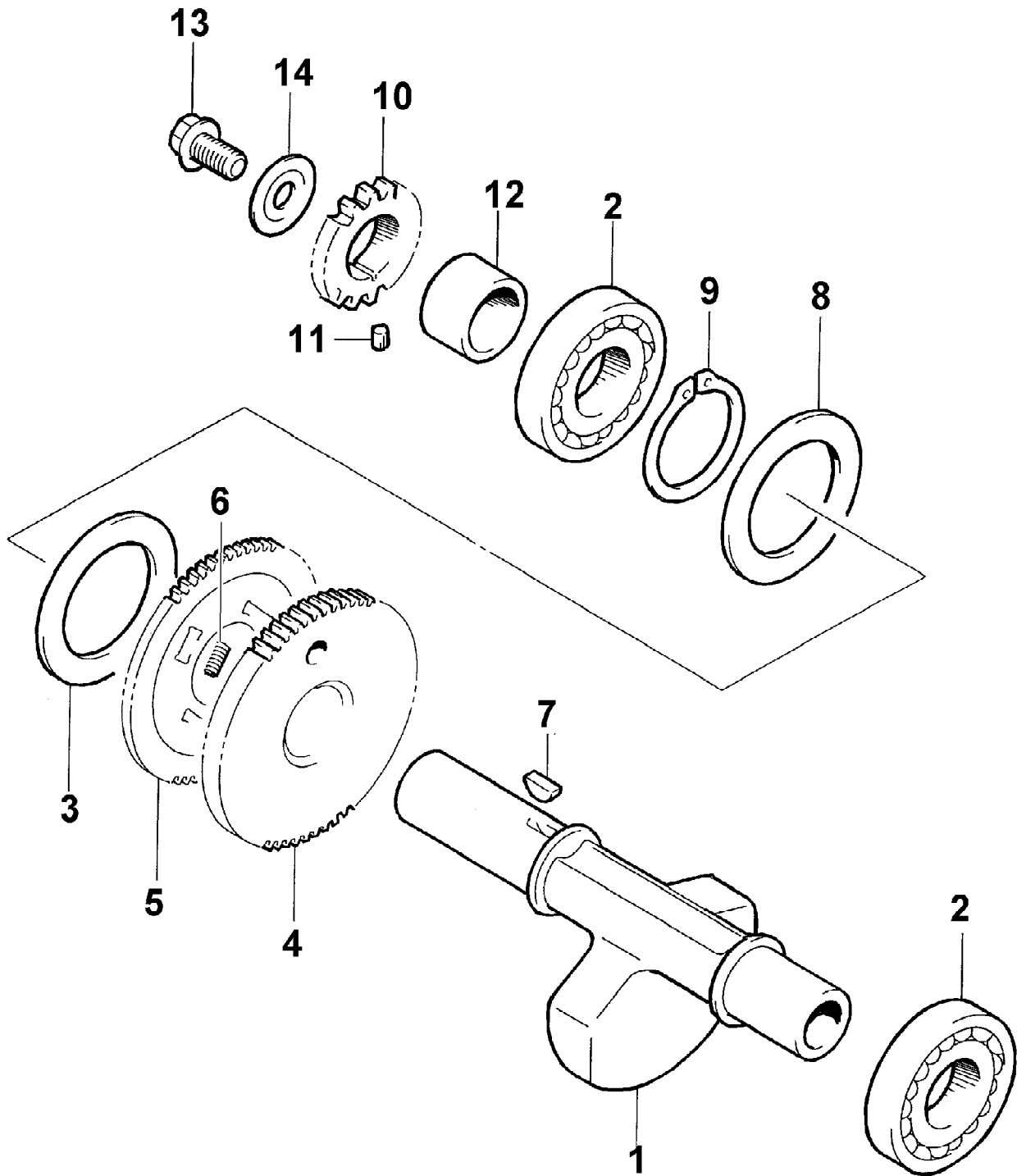
Ref #	Part Number	Qty	S/P/F	Description
1	3402-440	1		Cover, Clutch
2	3402-441	1		Gasket, Clutch Cover
3	3423-088	6		Pin, Dowel
4	3423-098	23	S	Bolt
5	3423-092	2	S	Bolt
6	3402-442	1		Cover, V-Belt
7	3402-443	1		Gasket, V-Belt Cover
8	3423-091	12	S	Bolt
9	3423-392	2		Bolt
10	3423-307	2	S	Bolt
11	3004-705	1	S	Plug, Drain
12	3402-444	1		Gasket, Drain Plug
13	3402-445	1		Plate, Air Intake
14	3402-446	1	S	Cushion, Air Intake Plate
15	3004-552	3	S	Screw
16	3423-394	1		Cover, Magneto
17	3423-395	1		Gasket, Magneto Cover
18	3423-180	1	S	Plug, Oil Filler
19	3402-013	1	/P	Gasket, Oil Filler Plug



Ref #	Part Number	Qty	S/P/F	Description
1	0409-022	1		Switch, Control - Assembly (inc. 2-5)
2	0409-025	1		Lever, Choke
3	0409-026	1		Cover, Choke Lever
4	0409-027	1		Screw, Cap
5	0409-028	1		Screw



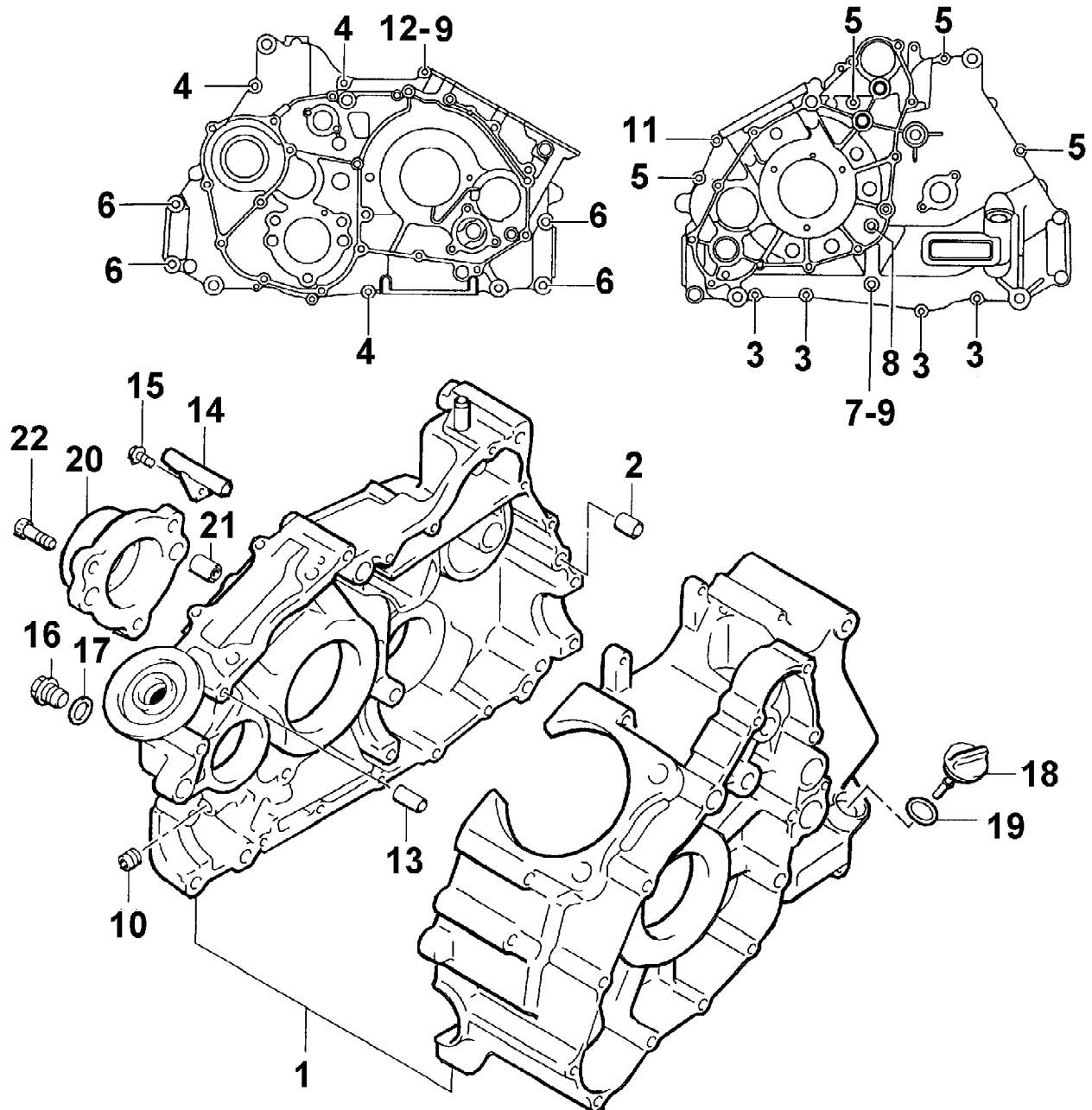
Ref #	Part Number	Qty	S/P/F	Description
1	0413-038	1		Radiator Assembly (inc. 2-14)
2	0	1	F	Radiator
3	0413-007	1		Screen, Radiator
4	0413-002	1	S	Cap, Radiator
5	0423-030	2		Grommet
6	0610-016	AR	/P	Hose - 25 ft
7	0413-009	4		Screw, Thumb
8	0413-046	2		Shroud, Fan
9	0413-044	1	S	Fan, Cooling
10	8475-512	8		Screw, Machine
11	0423-351	1		Clamp, Wire
12	0123-397	1		Clamp, Cable
13	0413-045	1		Sender, Temperature - Coolant
14	0423-390	1	S	O-Ring
15	0423-036	2		Collar
16	0623-184	2		Washer
17	8476-625	2		Screw, Cap
18	0623-038	2		Nut w/Washer
19	0423-028	2		Bushing, Stem
20	0410-002	1		Hose, Coolant - Upper
21	0410-022	1		Hose, Coolant - Crossover
22	0410-041	1		Hose, Coolant - Lower
23	0423-070	6		Clamp, Hose
24	0623-751	1		Cable Tie



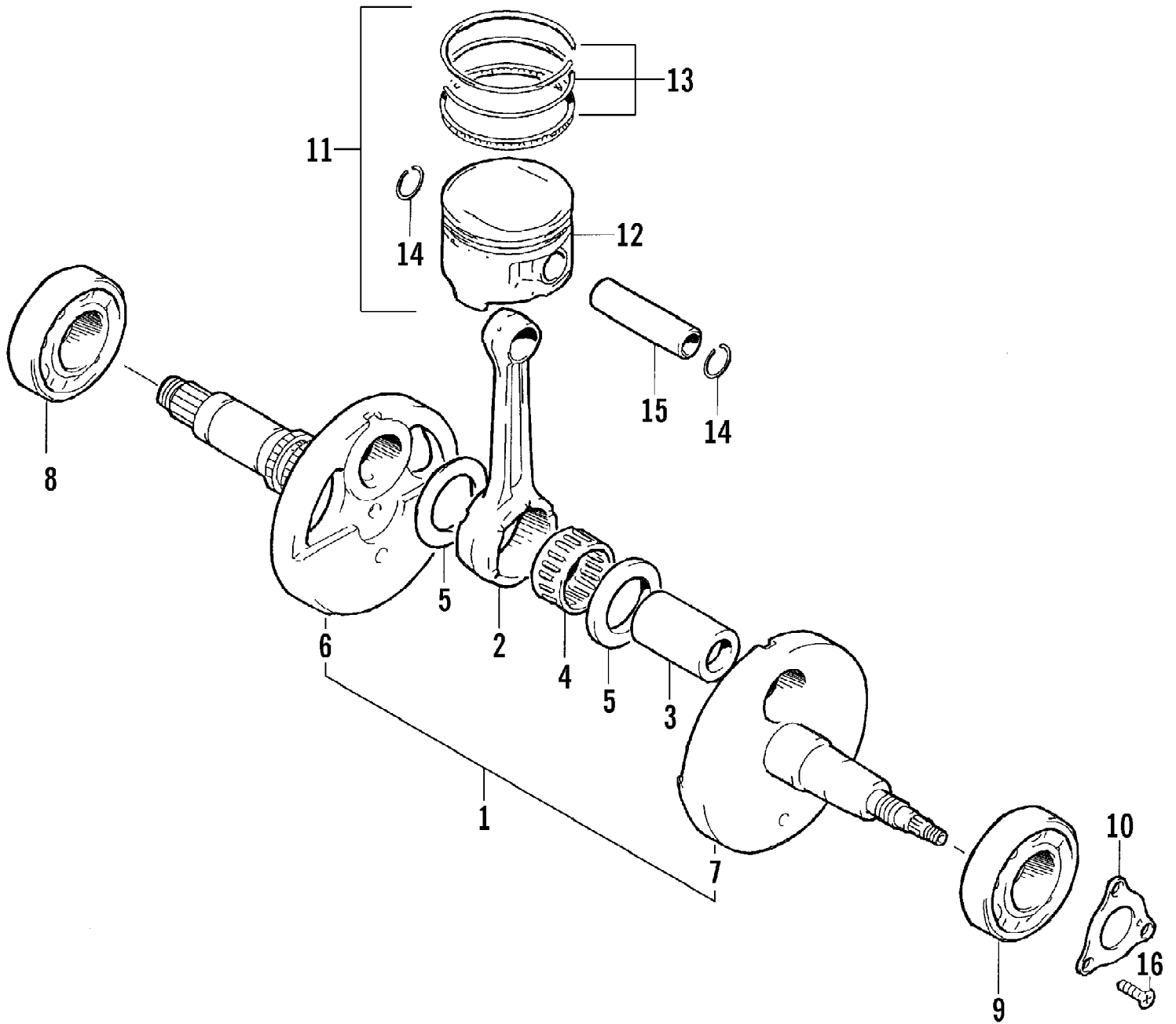
2002 ATV 500 AUTOMATIC TRANSMISSION TBX (A2002BXM4BUSG)
CRANK BALANCER ASSEMBLY

Page 22 of 93

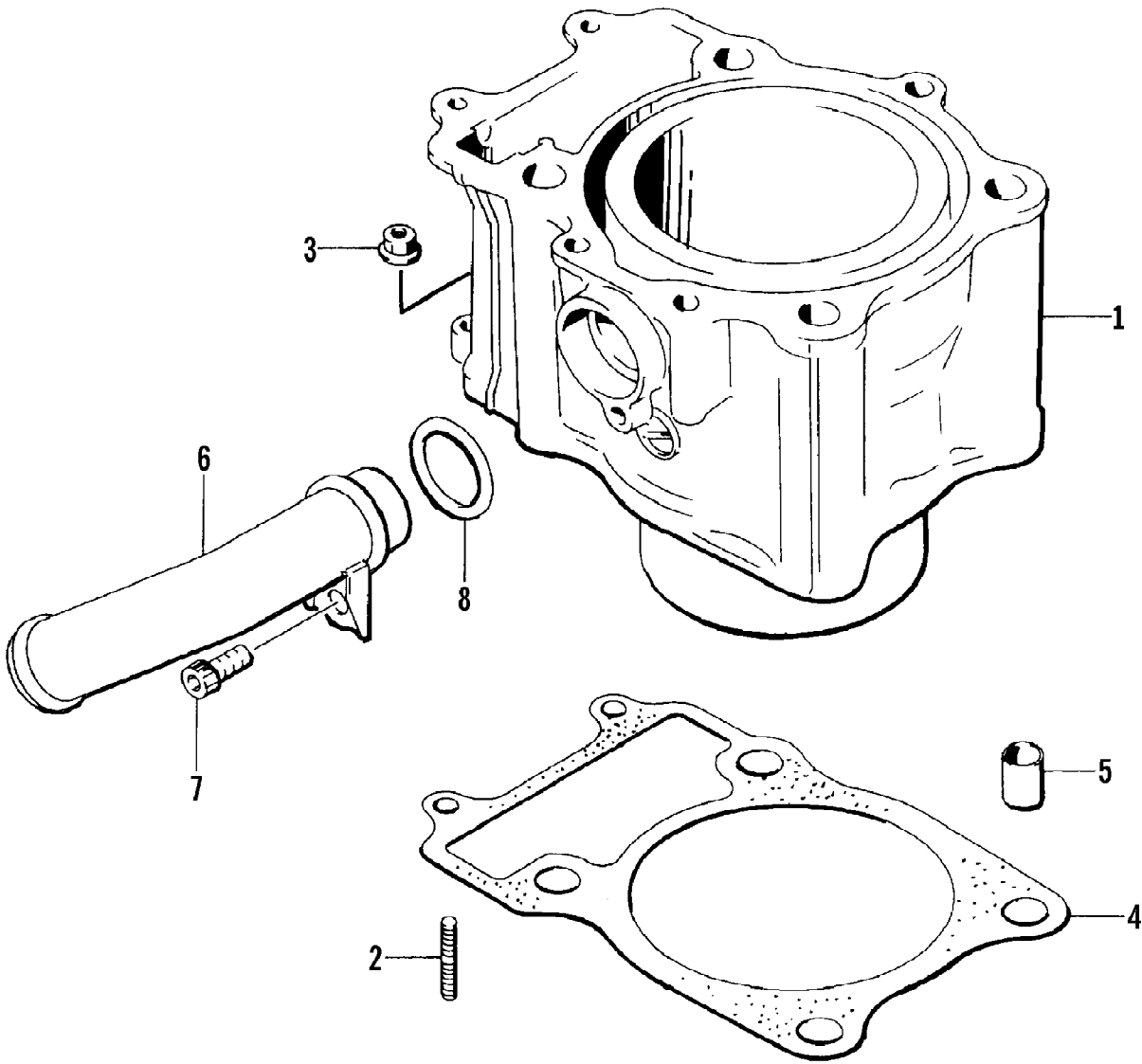
Ref #	Part Number	Qty	S/P/F	Description
1	3402-458	1		Balancer, Crank
2	3402-050	2		Bearing
3	3423-398	1		Washer
4	3402-459	1		Gear, Driven - No. 1
5	3402-460	1		Gear, Driven - No. 2
6	3423-399	2		Spring, Driven Gear
7	3004-540	1	/P	Key
8	3423-107	1		Washer
9	3423-200	1	/P	Circlip
10	3402-390	1		Gear, Oil Pump Drive
11	3423-110	1		Pin, Drive Gear
12	3402-461	1		Spacer, Drive Gear
13	3423-400	1		Bolt
14	3423-401	1		Washer, Drive Gear



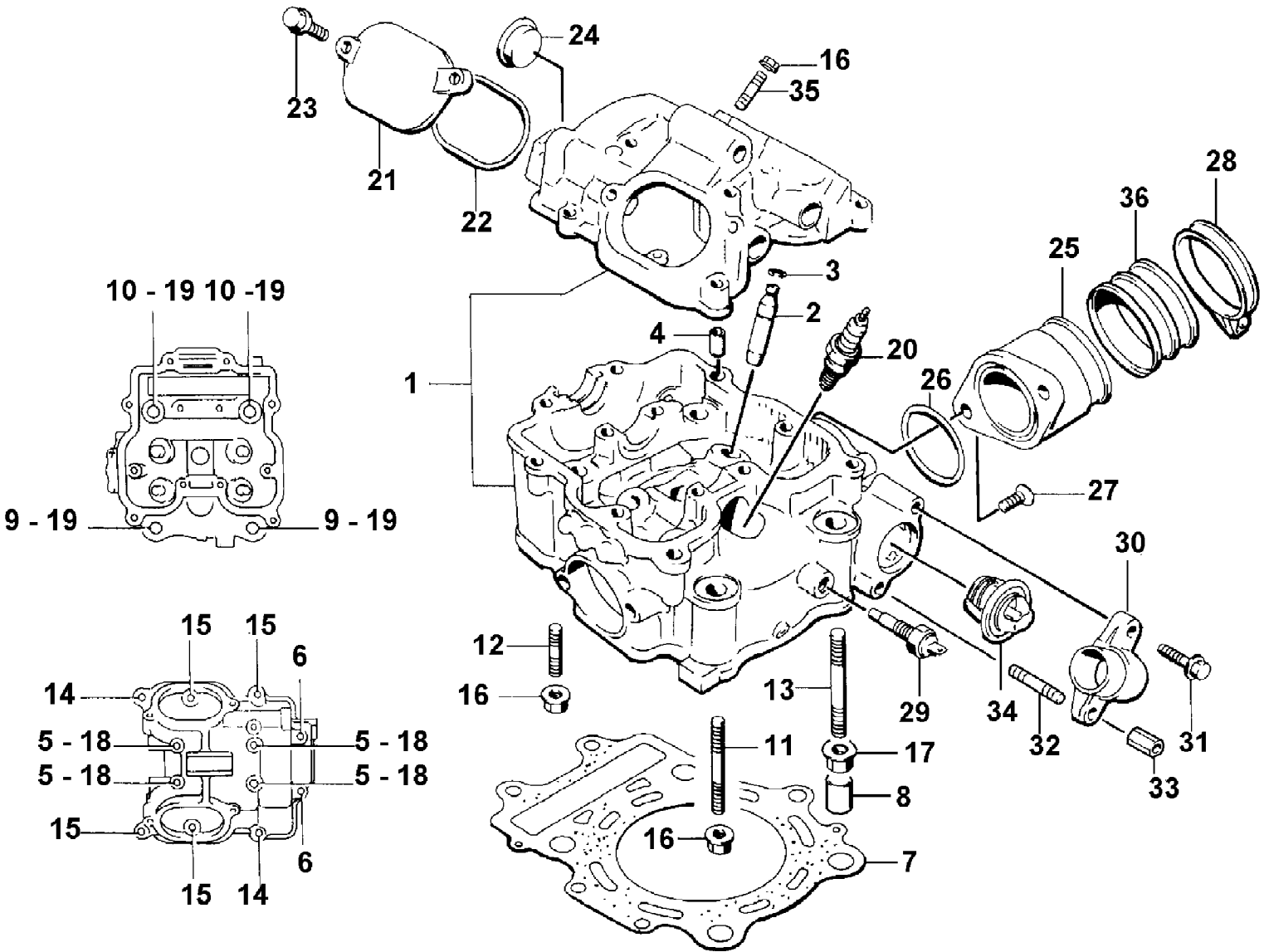
Ref #	Part Number	Qty	S/P/F	Description
1	3402-520	1	S	Crankcase Assembly (inc. 2-13)
2	3423-088	2		Pin, Dowel
3	3423-091	4	S	Bolt
4	3423-119	3	S	Bolt
5	3423-092	4	S	Bolt
6	3004-880	4		Bolt
7	3005-332	1		Bolt
8	3423-385	1		Bolt
9	3402-436	2	/P	Gasket
10	3423-386	1		Plug
11	3423-387	1		Bolt
12	3423-388	1		Bolt
13	3004-822	1		Pin, Dowel
14	3402-437	1		Pipe, Breather
15	3423-389	1		Bolt, Breather Pipe
16	3402-214	1		Plug, Oil Pressure
17	3402-012	1		Gasket, Oil Pressure Plug
18	3402-438	1		Stick, Oil Level
19	3423-055	1		O-Ring, Oil Level Stick
20	3402-439	1		Housing, Secondary Shaft Bearing
21	3423-088	2		Pin, Dowel
22	3423-390	3	S	Bolt



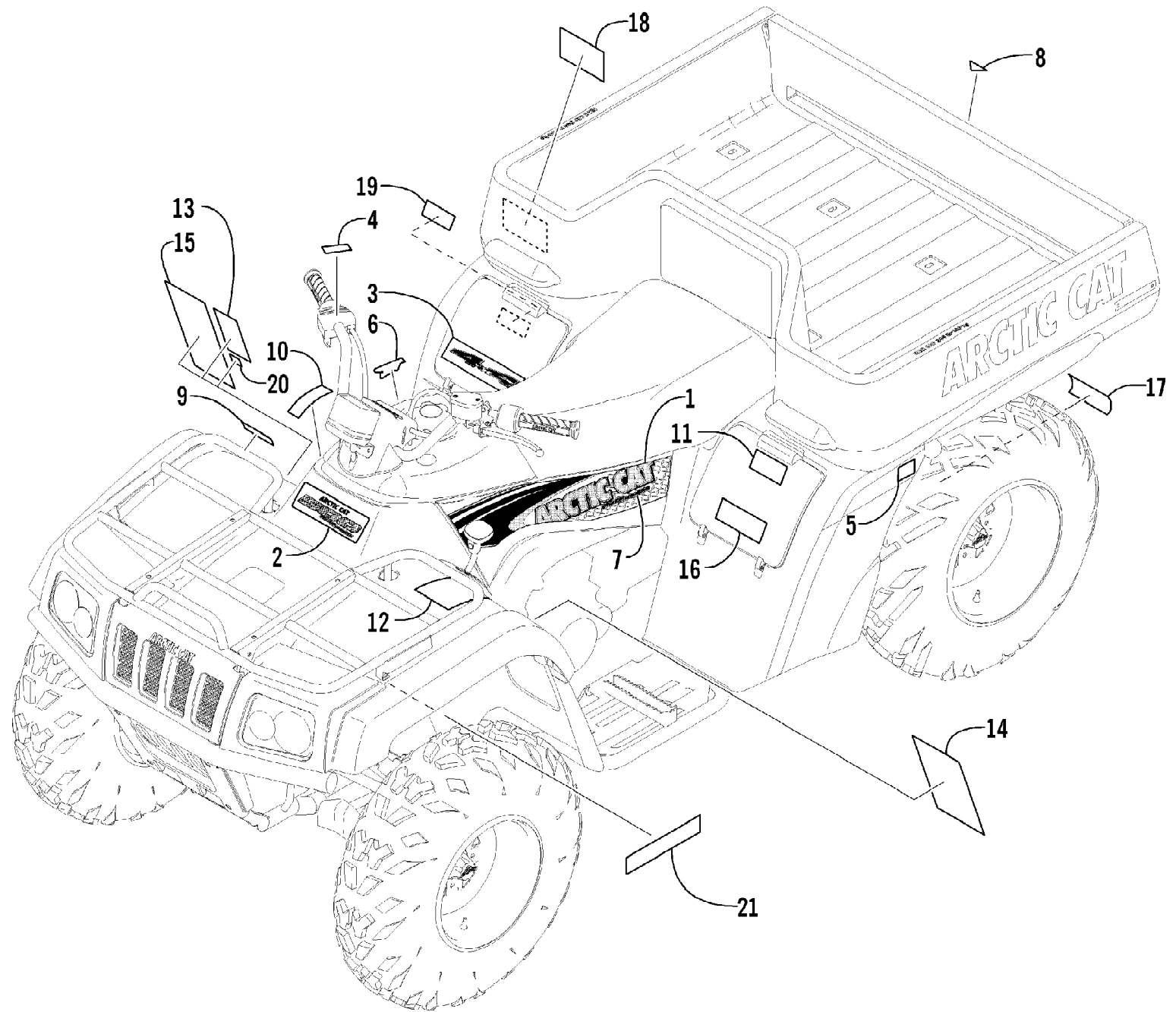
Ref #	Part Number	Qty	S/P/F	Description
1	3402-521	1	S	Crankshaft Assembly (inc. 2-7)
2	3402-376	1		Rod, Connecting
3	3402-377	1		Pin, Crank
4	3402-386	1	S	Bearing
5	3423-351	2		Washer
6	3402-522	1		Crankshaft - Right
7	3402-456	1	S	Crankshaft - Left
8	3402-058	1		Bearing - Right
9	3402-054	1		Bearing - Left
10	3402-188	1	/P	Retainer, Oil Seal - Left
11	3402-431	1		Piston Set (inc. 12-14)
12	3402-373	1		Piston
13	3402-374	1		Ring, Piston - Set
14	3423-344	2		Circlip, Piston Pin
15	3402-375	1		Pin, Piston
16	3423-018	3		Screw



Ref #	Part Number	Qty	S/P/F	Description
1	3402-364	1		Cylinder
2	3423-384	2	S	Bolt, Stud
3	3004-488	2	S/P	Nut
4	3402-365	1	/P	Gasket, Cylinder
5	3423-088	2		Pin, Dowel
6	3413-013	1		Union, Hose
7	3423-121	1	S	Screw, Cap
8	3423-058	1		O-Ring

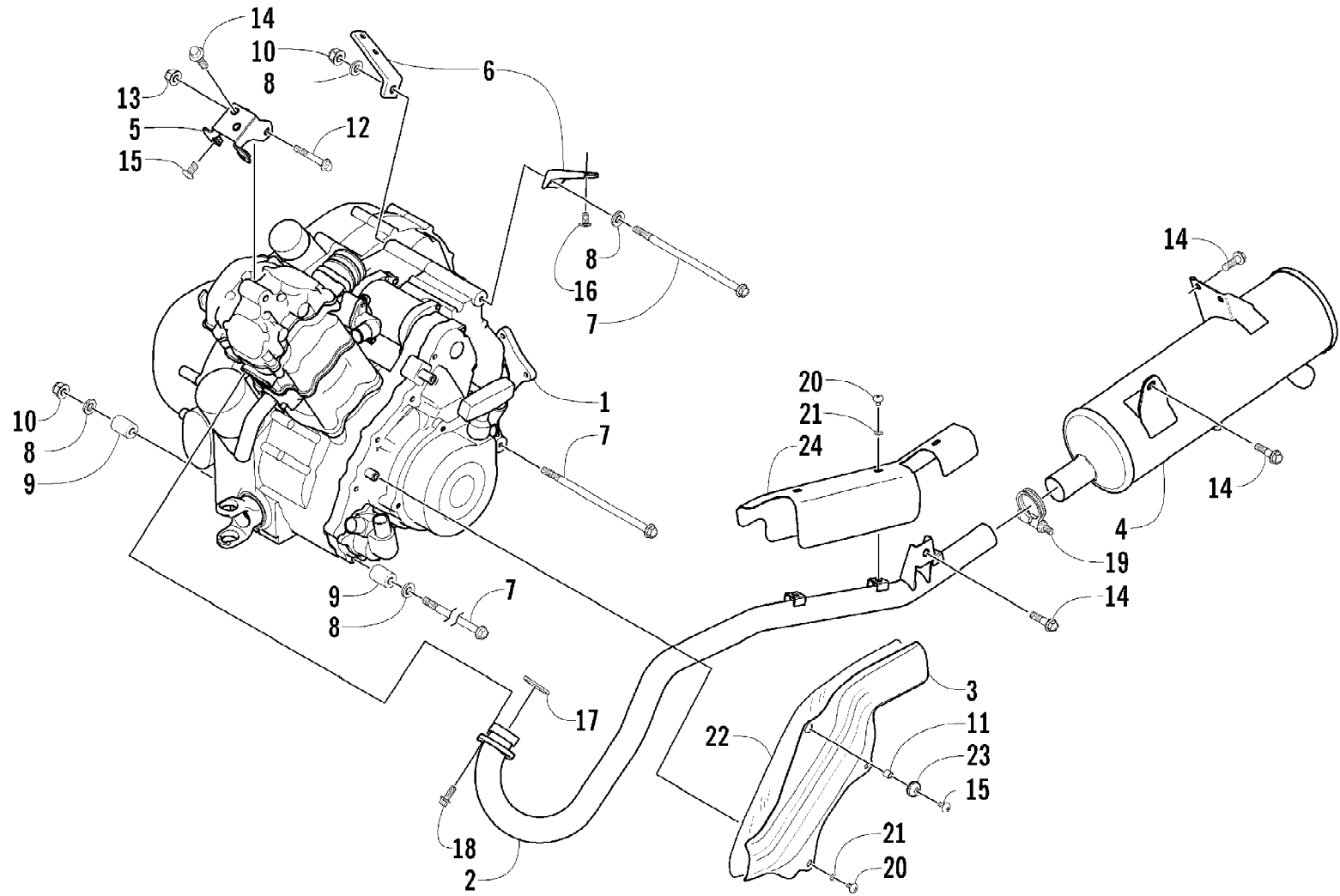


Ref #	Part Number	Qty	S/P/F	Description
1	3402-361	1		Head, Cylinder - Assembly (inc. 2-6)
2	3402-099	4		Guide, Valve
3	3423-068	4		Circlip
4	3423-043	2	/P	Pin, Dowel
5	3423-006	4		Screw, Cap
6	3008-376	2	S	Screw, Cap
7	3402-362	1		Gasket, Cylinder Head
8	3423-088	2		Pin, Dowel
9	3423-015	2		Screw, Cap
10	3423-016	2		Screw, Cap
11	3423-089	2	S	Bolt, Stud
12	3423-087	2	S	Bolt, Stud
13	3423-203	1	S/P	Bolt, Stud
14	3423-007	2	S	Screw, Cap
15	3004-376	4	S/P	Screw, Cap
16	3004-488	5	S/P	Nut
17	3004-326	1	S/P	Nut
18	3003-290	4	/P	Gasket
19	3402-010	4		Gasket, Head Nut
20	0217-632	1		Spark Plug (NGK CR6E)
21	3402-100	2		Cap, Inspection
22	3402-101	2		O-Ring
23	3004-341	3	S/P	Screw, Cap
24	3402-035	1		Plug, Cylinder Head
25	3402-435	1		Pipe, Intake - Assembly (inc. 26)
26	3423-353	1	/P	O-Ring
27	3423-347	2		Screw, Cap
28	3402-086	2	/P	Clamp
29	3530-030	1	S	Switch, Coolant Temperature - Assembly
30	3413-004	1		Cover, Thermostat
31	3004-341	1	S/P	Screw, Cap
32	3423-354	1		Stud, Thermostat Cover
33	3423-349	1		Nut
34	3413-012	1		Thermostat
35	3423-383	1		Bolt, Stud
36	0470-412	1		Tube, Intake

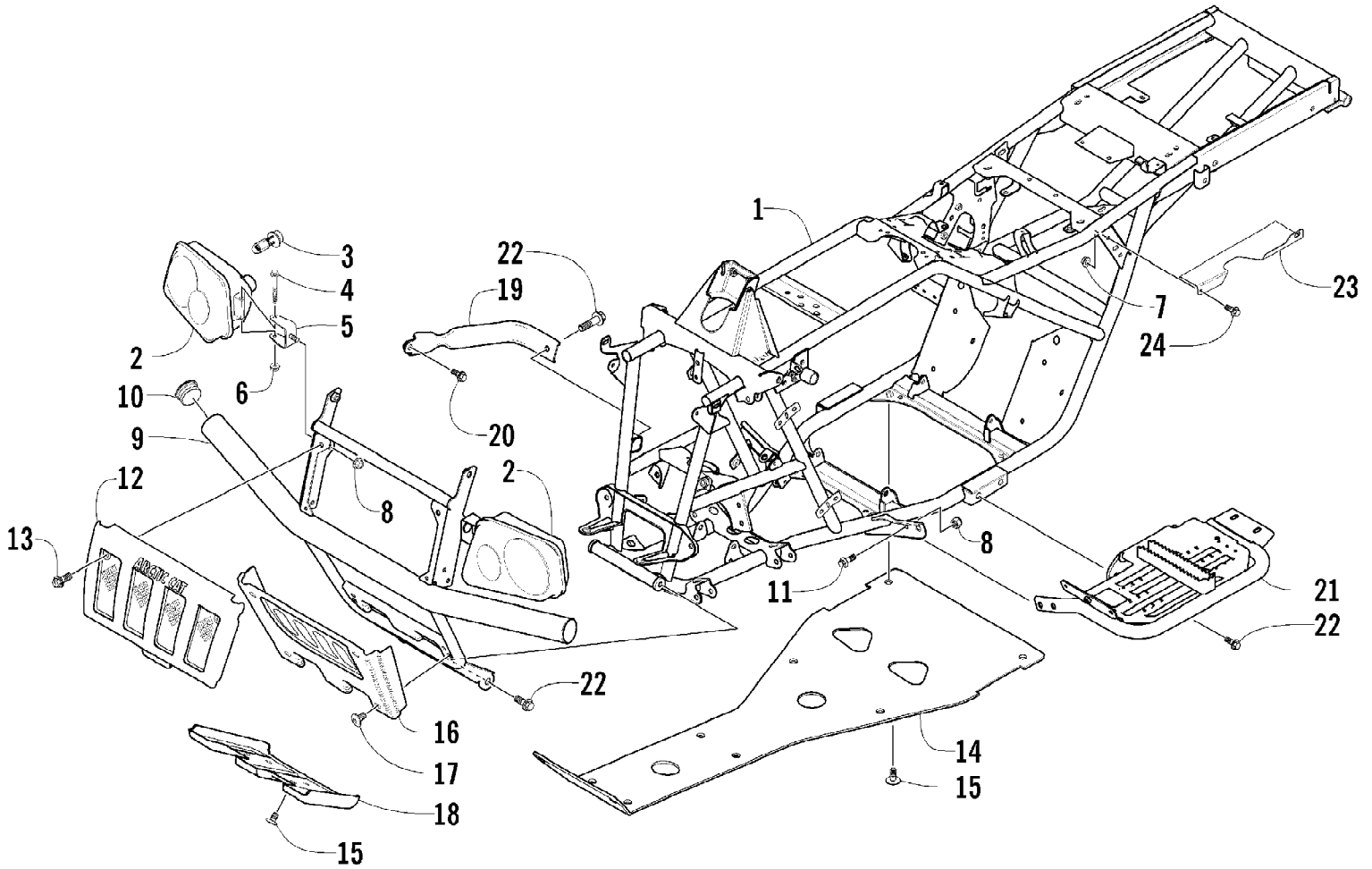


Ref #	Part Number	Qty	S/P/F	Description
1	0411-367	1		Decal, Side - Right
1	0411-368	1		Decal, Side - Left
2	0411-376	1		Decal, Front
3	0411-402	1		Decal, "4X4"
4	0411-324	1		Decal, Instruction - Start In Gear
5	0411-489	1		Decal, Instruction - Tilt Box
6	0411-291	1		Decal, "Duramatic"
7	0411-377	3		Decal, "Automatic"
8	3611-002	1		Decal, "Made In U.S.A."
9	0411-006	1		Decal, Warning - Front Rack Load
10	0411-426	1		Decal, Warning - Clutch Cover
11	0411-435	1		Decal, Warning - Passenger
12	0411-401	1		Decal, Warning - Age
13	0411-008	1	/P	Decal, Warning - Reverse/Pre-Ride
14	0411-218	1		Decal, Warning - General
15	0411-045	1		Decal, Warning - Turn
16	0411-479	1		Decal, Warning - Tire Pressure
17	0411-267	1		Decal, Warning - Towing
18	0411-485	1		Decal, Warning - No Passengers
19	0411-487	2		Decal, Caution - Capacity
20	0411-011	1		Decal, Caution - Electrical
21	0411-397	1		Decal, CA Emissions

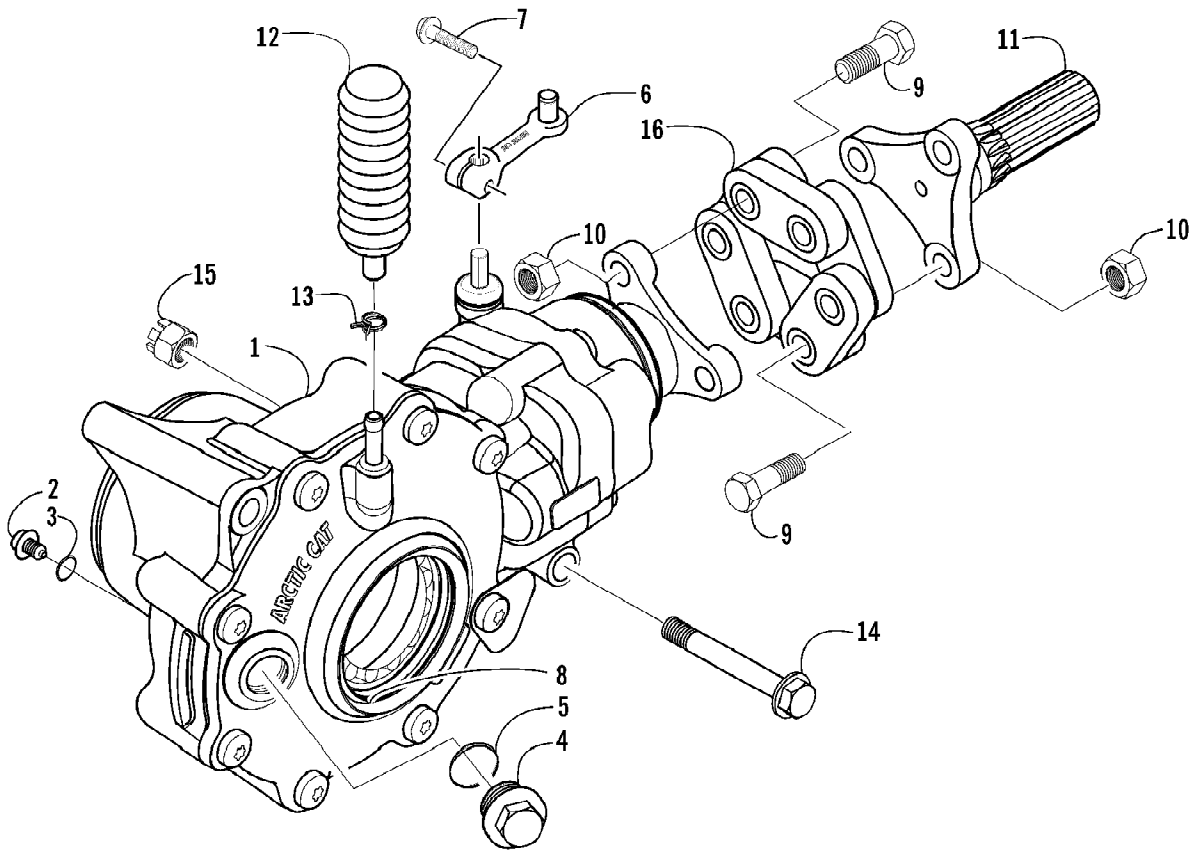
2002 ATV 500 AUTOMATIC TRANSMISSION TBX (A2002BXM4BUSG)
ENGINE AND EXHAUST



Ref #	Part Number	Qty	S/P/F	Description
1	0462-013	1		Engine
2	0512-033	1		Pipe, Exhaust
3	0406-865	1		Cover, Exhaust
4	0412-102	1	S	Muffler
5	0506-546	1		Bracket, Engine - Upper
6	0406-905	1	S	Bracket, Engine - Right
6	0406-906	1	S	Bracket, Engine - Left
7	3423-009	3	/P	Screw, Cap
8	0423-050	4		Washer, Engine
9	0423-042	2	S	Spacer, Engine
10	8428-002	3		Nut, Lock
11	0423-036	3		Collar
12	8408-860	1		Screw, Cap
13	8424-802	1		Nut
14	8408-816	6		Screw, Cap
15	8476-620	3		Screw, Machine
16	8408-616	4		Screw, Cap
17	0412-007	1	/P	Seal, Exhaust
18	8408-820	2	/P	Screw, Cap
19	0423-150	1		Clamp, Exhaust
20	8477-610	5		Screw, Machine
21	8053-211	5	S	Washer, Lock - External Tooth
22	0412-143	1		Shield, Heat
23	0423-030	1		Grommet
24	0412-168	1		Cover, Exhaust



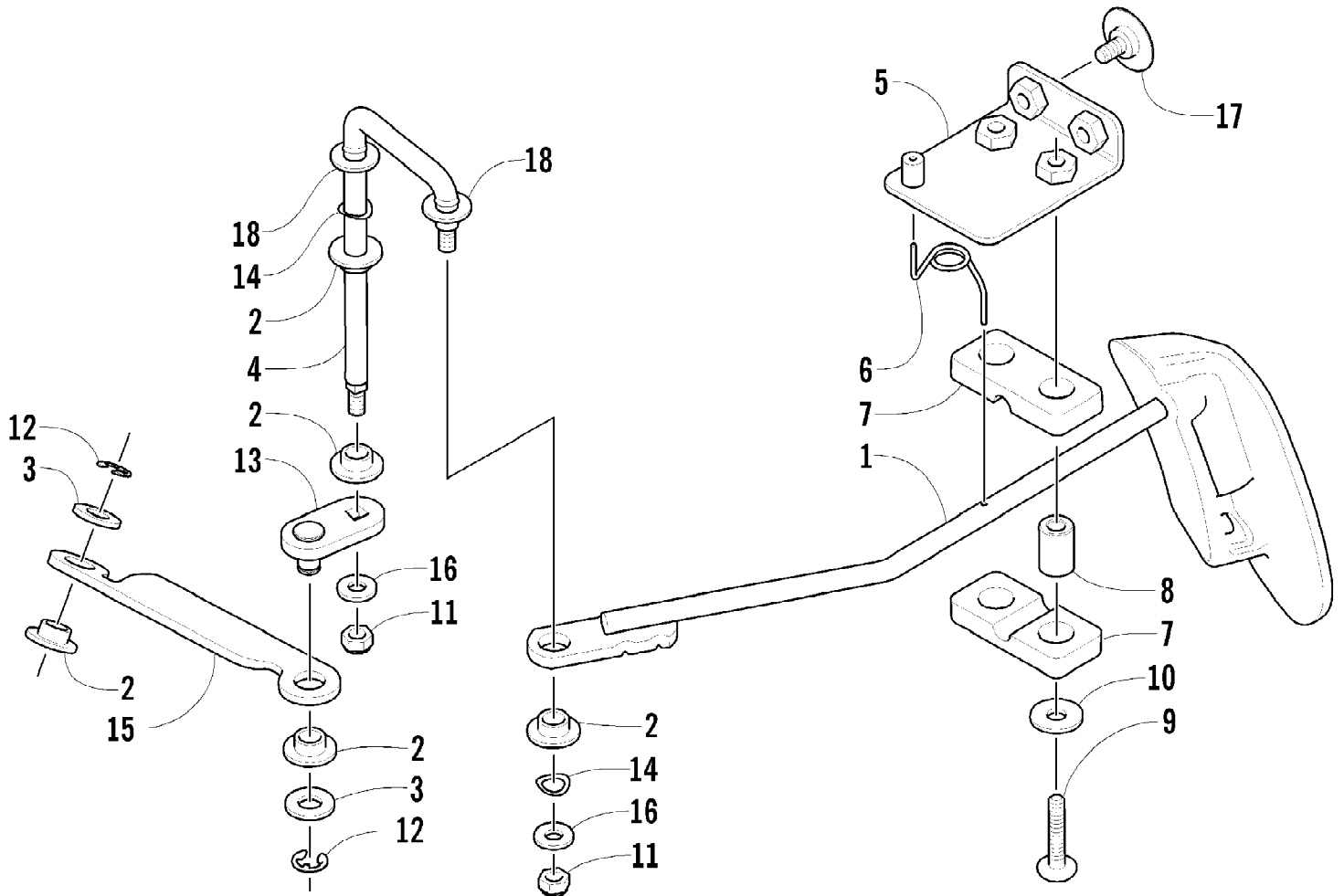
Ref #	Part Number	Qty	S/P/F	Description
1	0506-508	1		Frame, Main
2	0409-032	2		Headlight Assembly - Right (inc. 3-6)
2	0409-031	2		Headlight Assembly - Left (inc. 3-6)
3	0409-045	4		Bulb, Headlight
4	8410-860	2		Screw, Cap
5	0406-945	2		Bracket, Headlight Mounting
6	0423-375	2		Nut, Flange
7	8424-602	1	/P	Nut, Flange
8	8424-802	6		Nut
9	0506-544	1		Bumper
10	0406-130	2		Cap, Bumper
11	8408-816	6		Screw, Cap
12	0406-832	1		Grille, Upper
13	0423-361	2		Screw, Machine
14	0406-864	1		Panel, Belly
15	0423-101	AR		Screw, Body
16	0406-833	1	S	Grille, Bumper - Lower
17	0423-362	4		Screw, Machine
18	0406-834	1		Plate, Skid
19	0506-653	2	S	Channel, Bumper Mounting
20	8408-812	2		Screw, Cap
21	0506-659	1		Footrest - Right
21	0506-658	1		Footrest - Left
22	8409-020	8	/P	Screw, Cap
23	0412-154	1		Shield, Heat
24	8476-616	1		Screw, Machine



2002 ATV 500 AUTOMATIC TRANSMISSION TBX (A2002BXM4BUSG)
FRONT DRIVE GEARCASE ASSEMBLY

Page 38 of 93

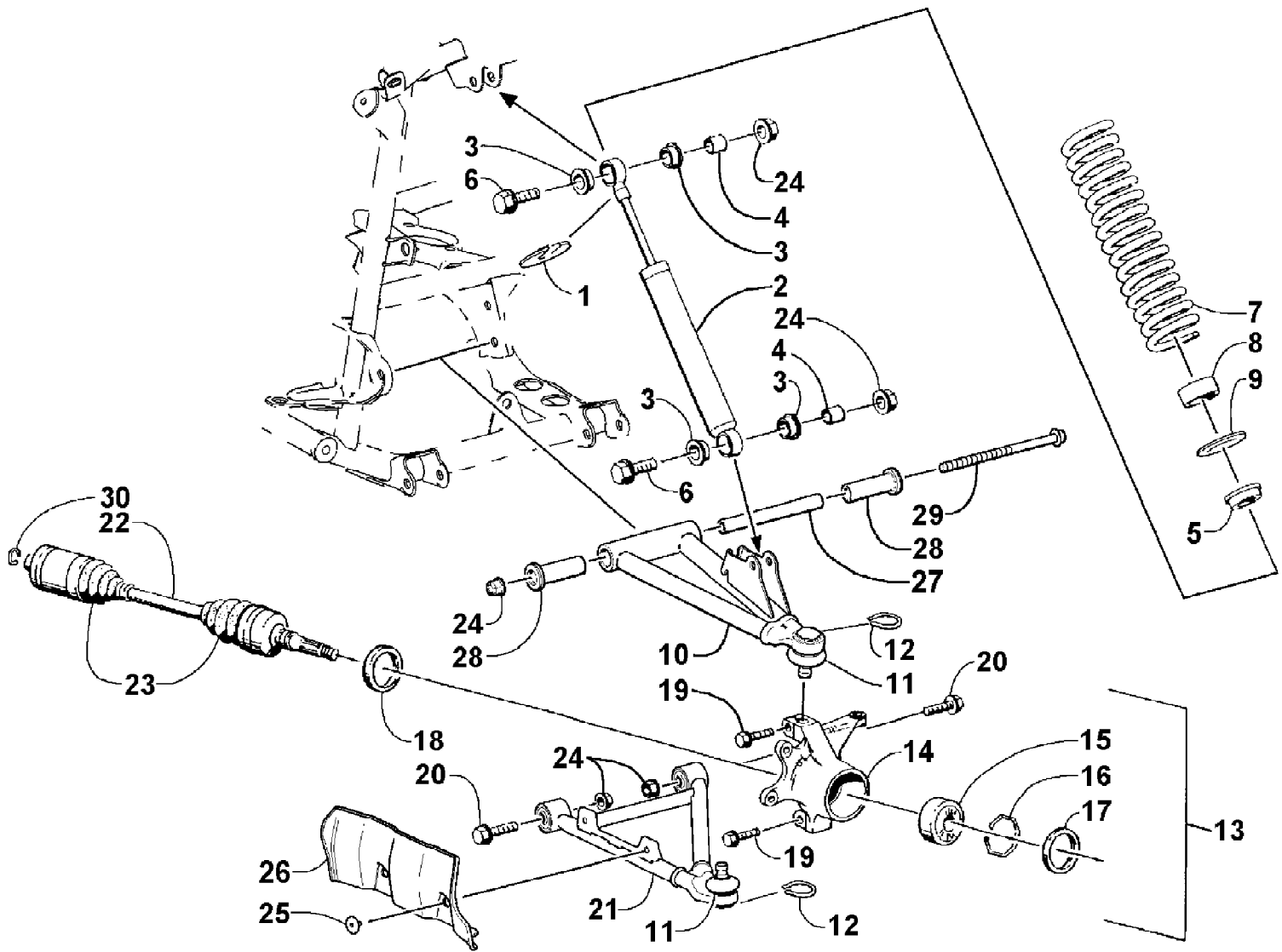
Ref #	Part Number	Qty	S/P/F	Description
1	0502-119	1		Gearcase, Front Drive - Assembly (inc. 2-8)
2	0402-450	1	S	Plug, Magnetic (inc. 3)
3	0423-153	1		O-Ring
4	0402-333	1	/P	Plug, Fill (inc. 5)
5	0423-154	1		O-Ring
6	0502-092	1		Arm, Selector
7	8476-620	1		Screw, Machine
8	0402-394	2	S	Seal
9	3423-182	6	S	Screw, Cap
10	3004-491	6	S/P	Nut
11	0502-200	1		Shaft, Propeller
12	0402-147	1	S	Bladder, Gearcase
13	0423-315	1		Clamp, Hose
14	3423-010	2	/P	Screw, Cap
15	8428-002	2		Nut, Lock
16	3435-007	1		Coupler, Propeller Shaft



2002 ATV 500 AUTOMATIC TRANSMISSION TBX (A2002BXM4BUSG)
FRONT DRIVE SHIFT LINKAGE ASSEMBLY

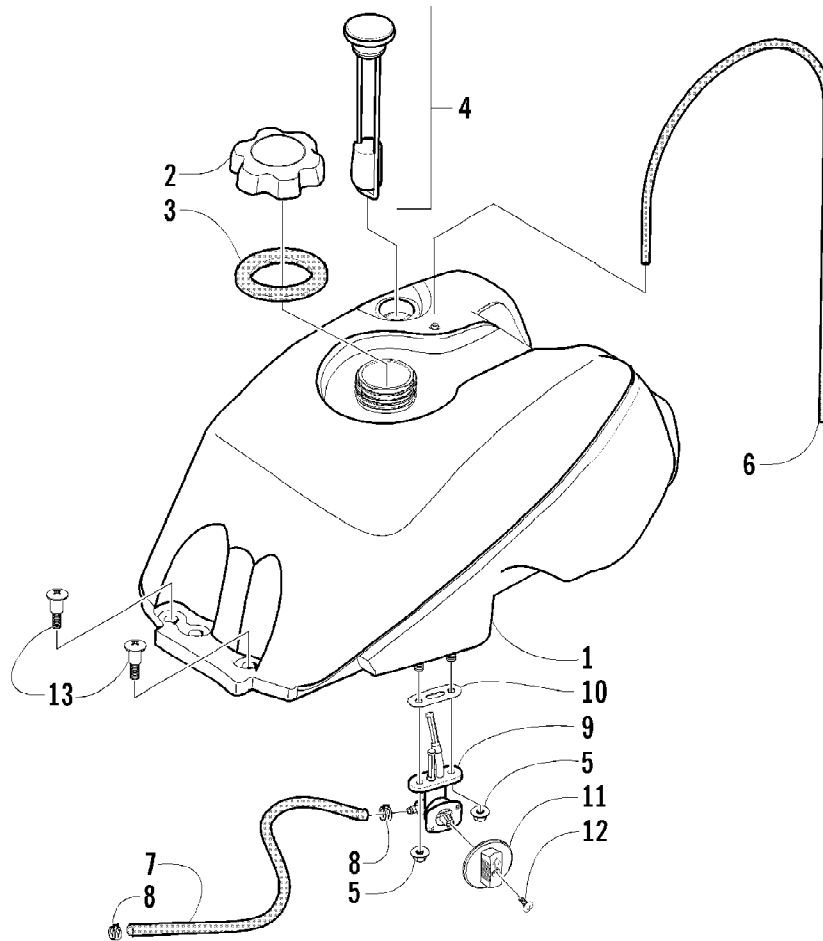
Page 40 of 93

Ref #	Part Number	Qty	S/P/F	Description
1	0502-291	1		Shifter
2	0423-091	5		Bushing, Shifter
3	8050-247	2	/P	Washer
4	0402-821	1		Arm, Shifter
5	0502-234	1		Plate, Mounting
6	0402-828	1		Spring, Torsion
7	0406-363	2		Bushing
8	0402-256	2		Collar
9	8476-630	2		Screw, Machine
10	8050-222	2	/P	Washer
11	0624-250	2		Nut, Lock
12	0124-057	2	/P	E-Ring
13	0502-295	1		Arm, Selector
14	0423-368	2		Washer, Wave
15	0402-824	1	S	Cross-Link
16	0423-348	2		Washer
17	0423-101	2		Screw, Body
18	0123-053	2	/P	Washer

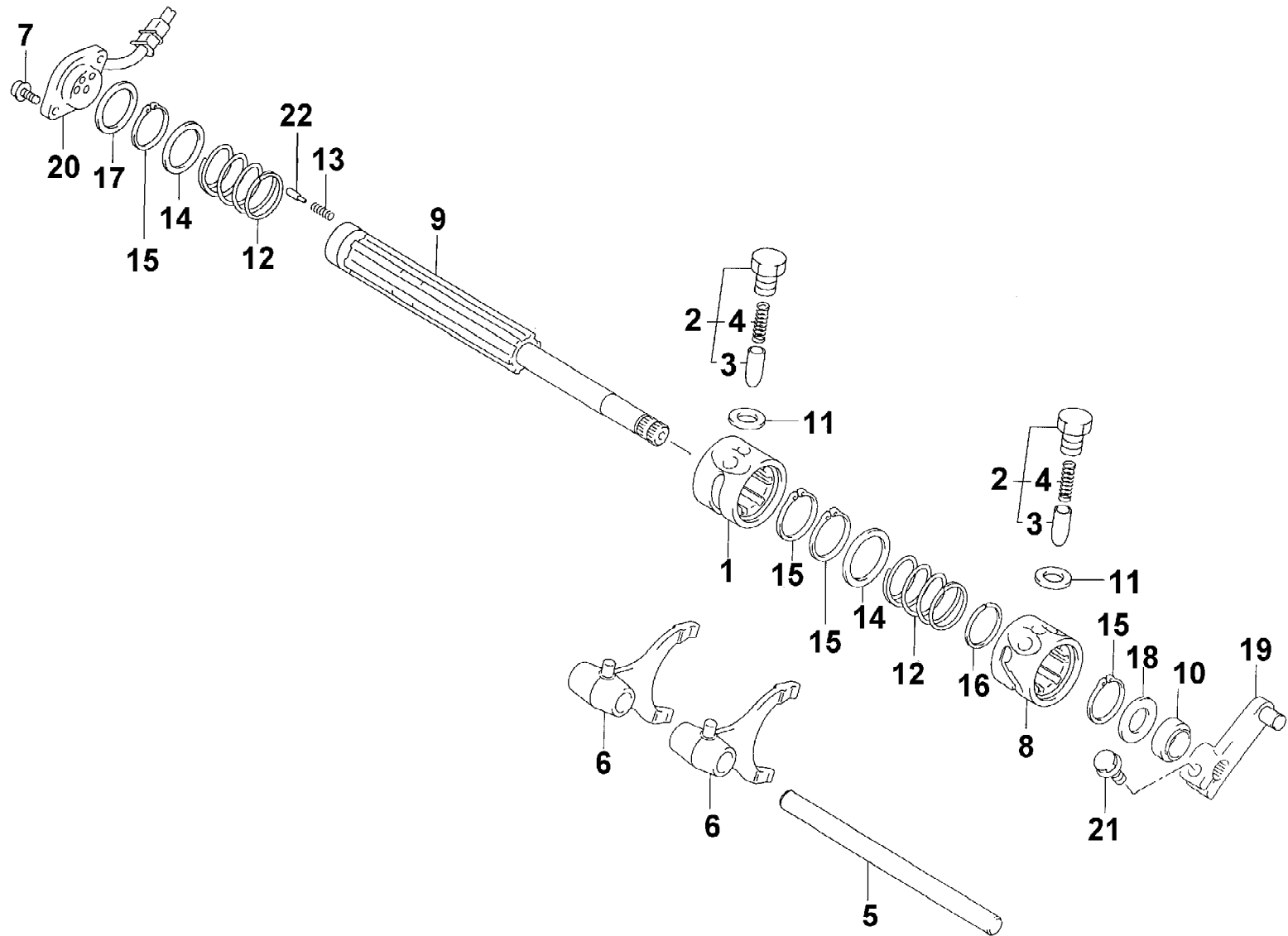


2002 ATV 500 AUTOMATIC TRANSMISSION TBX (A2002BXM4BUSG)
FRONT SUSPENSION ASSEMBLY

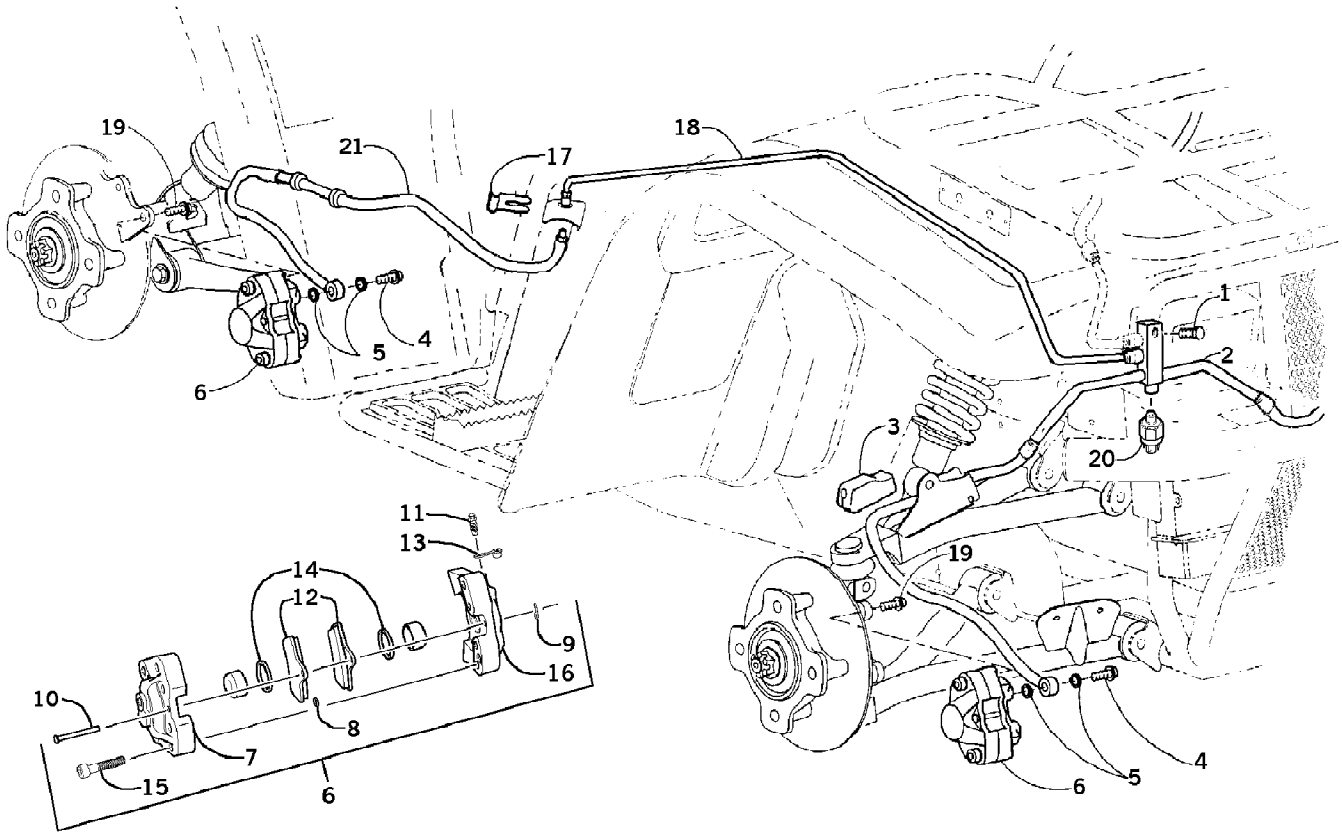
Ref #	Part Number	Qty	S/P/F	Description
1	1603-889	2	/P	Retainer, Spring
2	0403-088	2		Shock Absorber - Front (inc. 3-5)
3	0604-310	8		Bushing, Shock Absorber
4	0403-028	4		Sleeve, Shock
5	0403-027	2		Retainer, Spring - Lower
6	8409-040	4		Screw, Cap
7	0403-002	2		Spring, Shock Absorber
8	0403-098	2	S	Collar, Spring
9	0403-013	2		Washer, Spring
10	0503-120	1	S	A-Arm, Upper Right - Assembly (inc. 11-12 and 27-28)
10	0503-121	1	S	A-Arm, Upper Left - Assembly (inc. 11-12 and 27-28)
11	0405-068	4	S	Ball Joint - Front
12	0423-009	4	/P	Clip, Ball Joint
13	0505-026	1	S/P	Knuckle - Assembly - Right (inc. 14-18)
13	0505-027	1	S/P	Knuckle - Assembly - Left (inc. 14-18)
14	0505-062	1	S	Knuckle, Steering - Right
14	0505-063	1	S	Knuckle, Steering - Left
15	0402-275	2	/P	Bearing, Wheel Hub - Front
16	0423-034	2		Clip, Bearing
17	0402-089	2		Seal, Wheel Bearing - Front
18	0402-069	2		Seal, Wheel Bearing - Front
19	8409-030	4		Screw, Cap
20	8409-060	4		Screw, Cap
21	0503-118	1	S	A-Arm, Lower Right (inc. 11-12)
21	0503-119	1	S	A-Arm, Lower Left (inc. 11-12)
22	0402-365	2	S	Axle, Drive - Front (inc. 30)
23	0436-276	4	S	Repair Kit, Boot - Front Axle
24	8428-002	10		Nut, Lock
25	0423-101	4		Screw, Body
26	0406-944	1		Guard, Boot - Axle - Right
26	0406-927	1		Guard, Boot - Axle - Left
27	0403-080	2		Collar
28	0403-081	4	S	Bushing
29	0423-334	2		Screw, Cap
30	0441-400	2	S	Clip, Retaining



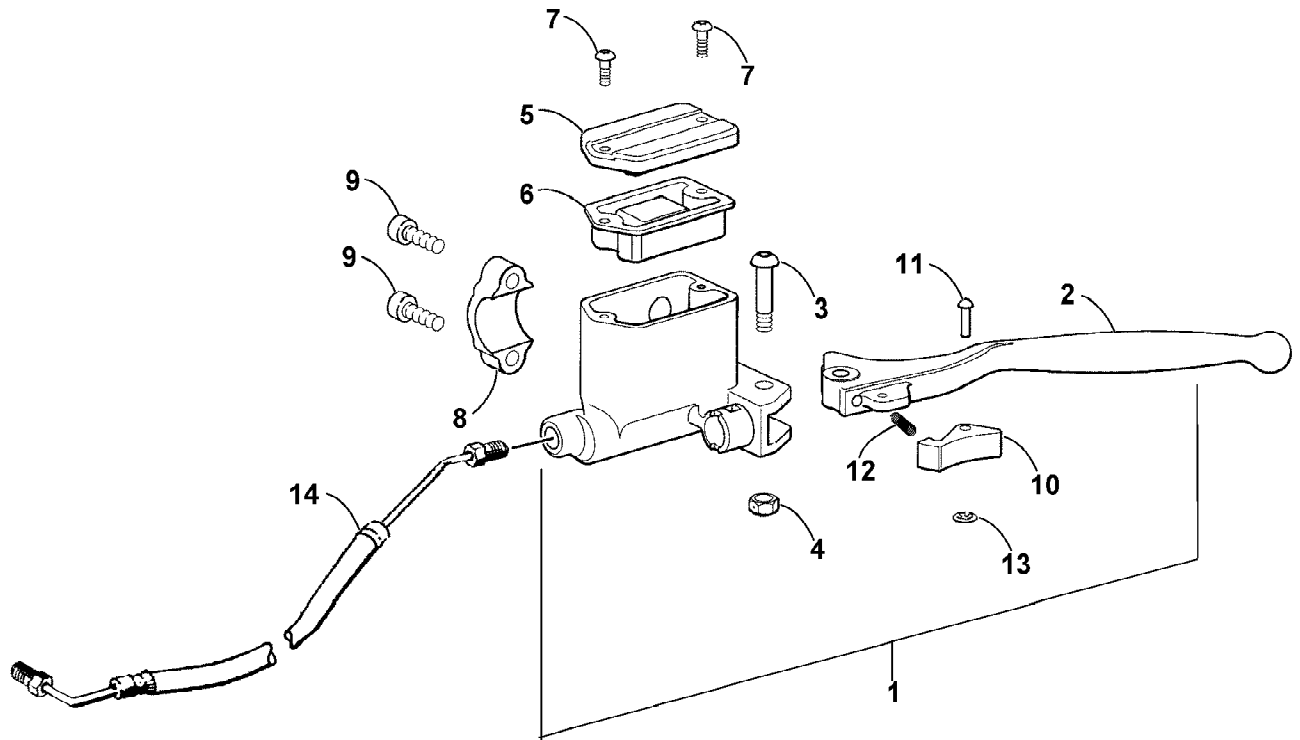
Ref #	Part Number	Qty	S/P/F	Description
1	0570-066	1	/P	Tank, Gas - Assembly (inc. 2-10)
2	0470-438	1	/P	Cap, Gas Tank (inc. 3)
3	0109-733	1	/P	Gasket, Tank Cap
4	0470-444	1	S	Gauge, Fuel w/Gasket (Press-Fit)
5	0423-398	2		Nut, Lock
6	0470-416	1	/P	Hose, Vent
7	0610-007	AR	/P	Hose, Gasline - 25 ft
8	0423-152	2		Clamp, Hose
9	0470-445	1	/P	Valve, Fuel Shut-Off (inc. 10)
10	0470-364	1		Gasket, Fuel Shut-Off Valve
11	0470-408	1		Knob, Fuel Shut-Off Valve
12	0423-146	1		Screw, Fuel Shut-Off Valve Knob
13	0423-130	2		Screw, Shoulder



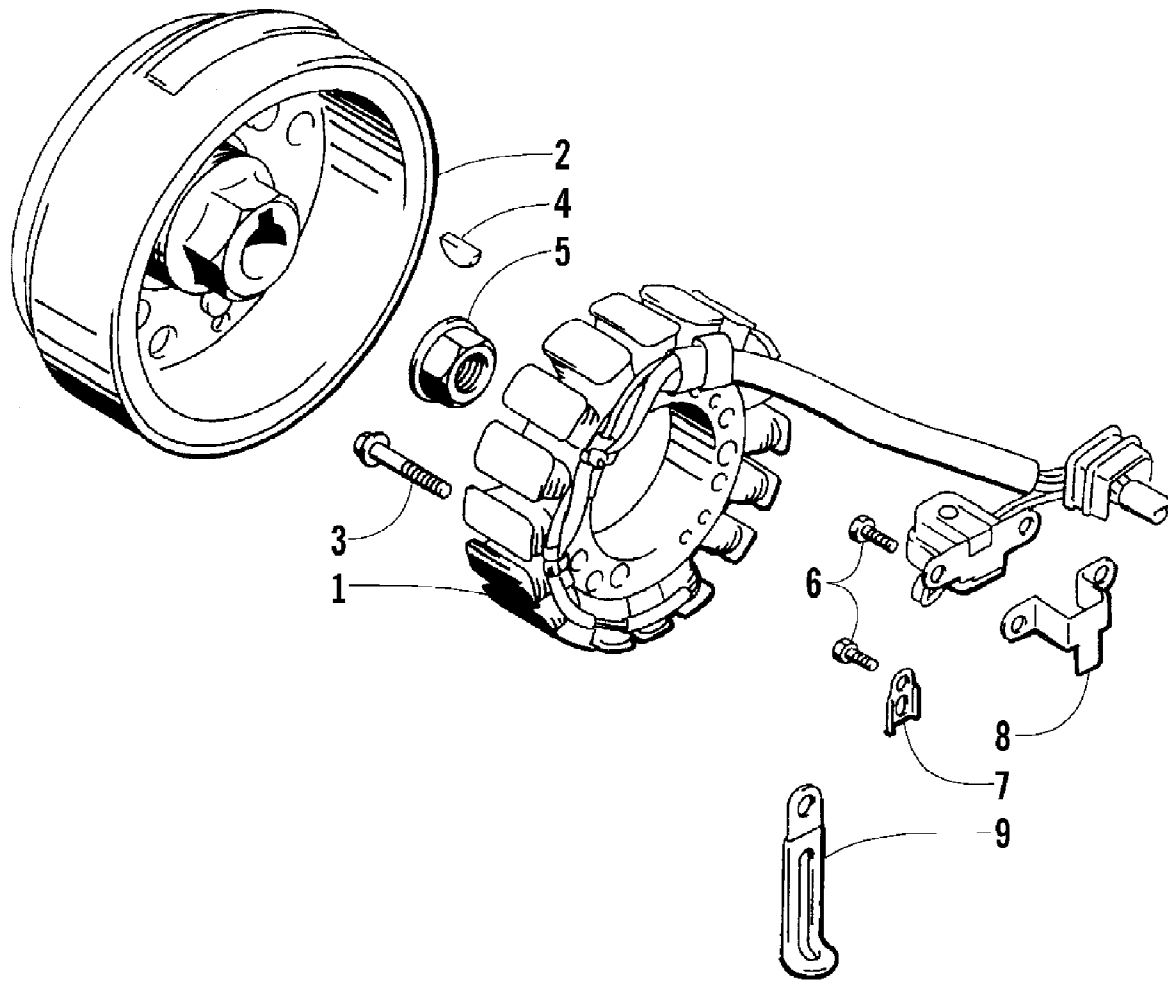
Ref #	Part Number	Qty	S/P/F	Description
1	3446-264	1		Cam - Reverse
2	3446-265	2		Stopper, Cam (inc. 3-4)
3	3446-242	2		Stopper
4	3446-113	2		Spring
5	3446-266	1		Shaft, Shift Fork
6	3446-073	2		Fork, Shift
7	3423-418	2		Bolt
8	3446-267	1		Cam
9	3446-268	1		Shaft, Gear Shift
10	3402-076	1		Seal, Gear Shift Shaft
11	3402-012	2		Gasket, Cam Stopper
12	3446-104	2		Spring, Cam
13	3402-087	2		Spring
14	3402-382	2		Washer, Cam Spring
15	3423-191	4	/P	Circlip, Cam Spring
16	3423-416	1		C-Ring, Cam
17	3423-421	1	/P	Washer, Shift Shaft
18	3423-417	1		Washer, Shift Shaft
19	3402-434	1	/P	Arm, Select
20	3530-031	1		Base, Gear Shift - Assembly
21	3004-341	1	S/P	Bolt, Select Arm
22	3423-044	2		Contact



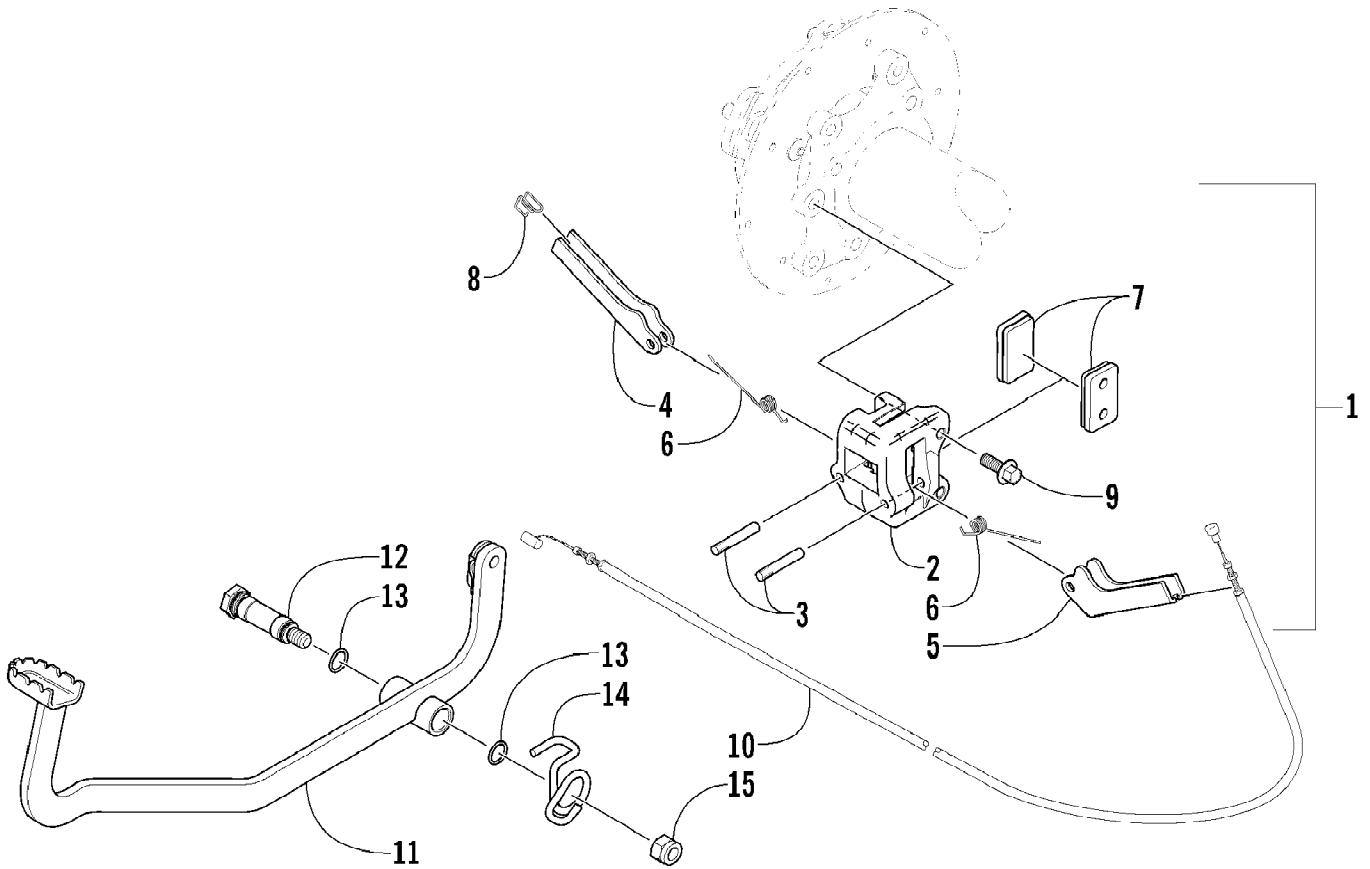
Ref #	Part Number	Qty	S/P/F	Description
1	8476-625	1		Screw, Cap
2	0402-853	1	S	Hose, Brakeline - Front
3	0402-073	2		Block, Mounting
4	0423-389	3	/P	Bolt, Banjo Fitting
5	0423-039	6		Washer, Crush
6	0502-265	1		Caliper, Brake - Right Front (inc. 7-16)
6	0502-266	2	S	Caliper, Brake - Left Front and Right Rear (inc. 7-16)
7	0	3	F	Housing, Caliper
8	0402-490	3		O-Ring
9	0402-496	3	S	Pin, Cotter
10	0402-495	3		Pin, Brake Caliper
11	0402-493	3		Cap, Bleed Valve
12	0402-882	6	/P	Pad, Brake
13	0402-491	3	S	Valve, Bleed
14	0402-487	6		O-Ring, Brake Caliper
15	0402-492	12		Screw, Cap
16	0	3	F	Housing, Caliper
17	0402-597	1	/P	Clip, Brakeline
18	0402-957	1		Tube, Brake Line - Rear
19	8408-825	6		Screw, Cap
20	0402-901	1	S	Switch, Brake Pressure
21	0402-852	1		Hose, Brakeline - Rear



Ref #	Part Number	Qty	S/P/F	Description
1	0502-324	1	S	Cylinder, Master - Assembly (inc. 2-13)
2	0402-818	1	/P	Lever, Brake
3	0402-940	1	S	Screw
4	0402-941	1	/P	Nut, Lock
5	0402-544	1		Cover, Reservoir
6	0402-553	1		Bladder, Reservoir
7	0402-938	2		Screw
8	0402-894	1	/P	Clamp, Master Cylinder
9	0402-939	2		Screw
10	0402-892	1	S	Lock, Brake Lever
11	0402-936	1	/P	Rivet
12	0402-559	1		Spring, Brake - Lever Lock
13	0402-937	1	/P	Washer, Lock - Internal Tooth
14	0402-854	1		Hose, Brakeline

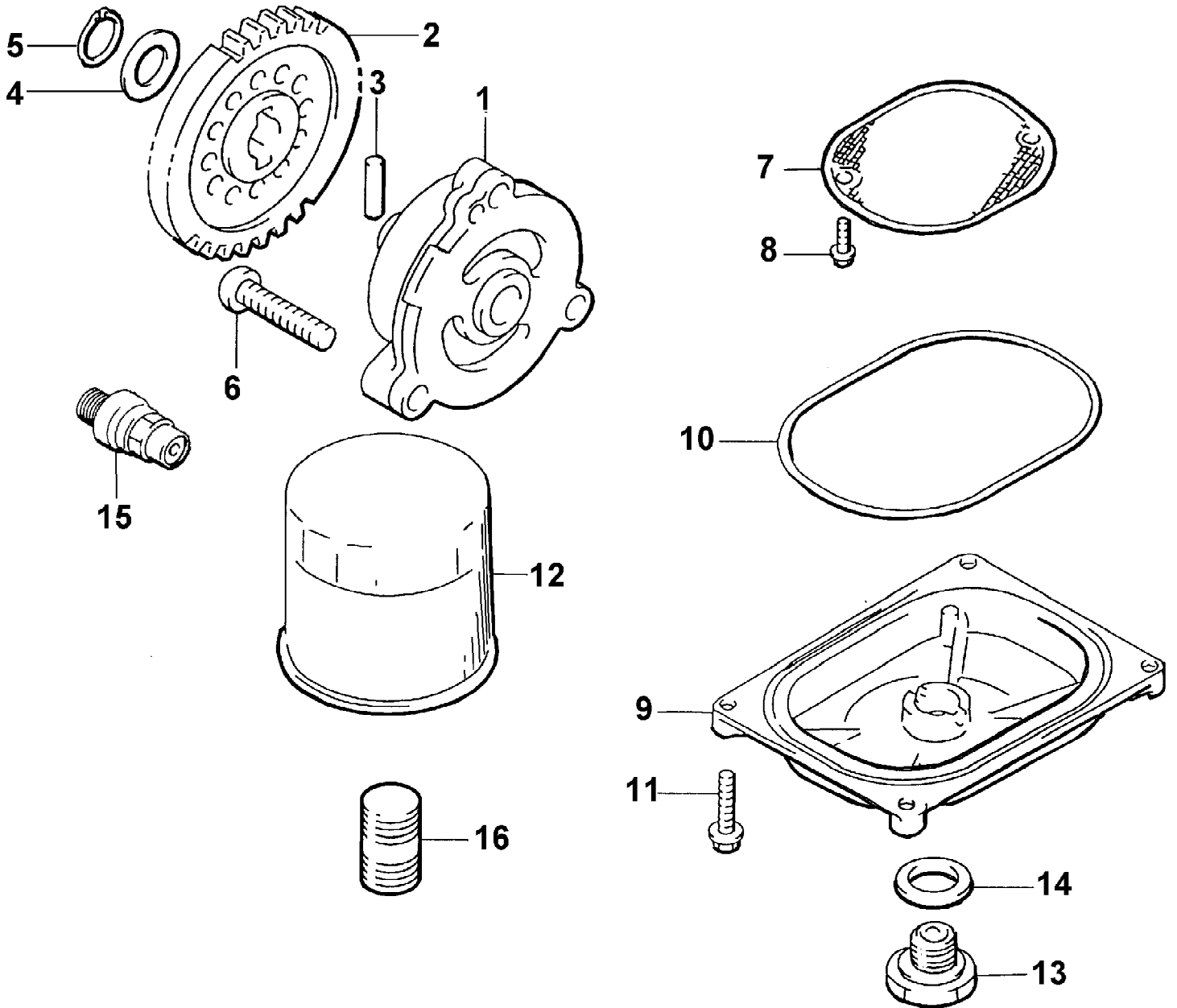


Ref #	Part Number	Qty	S/P/F	Description
1	3430-045	1		Stator Assembly
2	3430-046	1		Rotor/Flywheel
3	3423-162	3	S	Bolt
4	0691-785	1		Key
5	3423-086	1		Nut
6	3423-005	3	/P	Bolt
7	3430-005	1		Clamp
8	3430-006	1		Clamp
9	3002-964	1	/P	Clamp, Wire

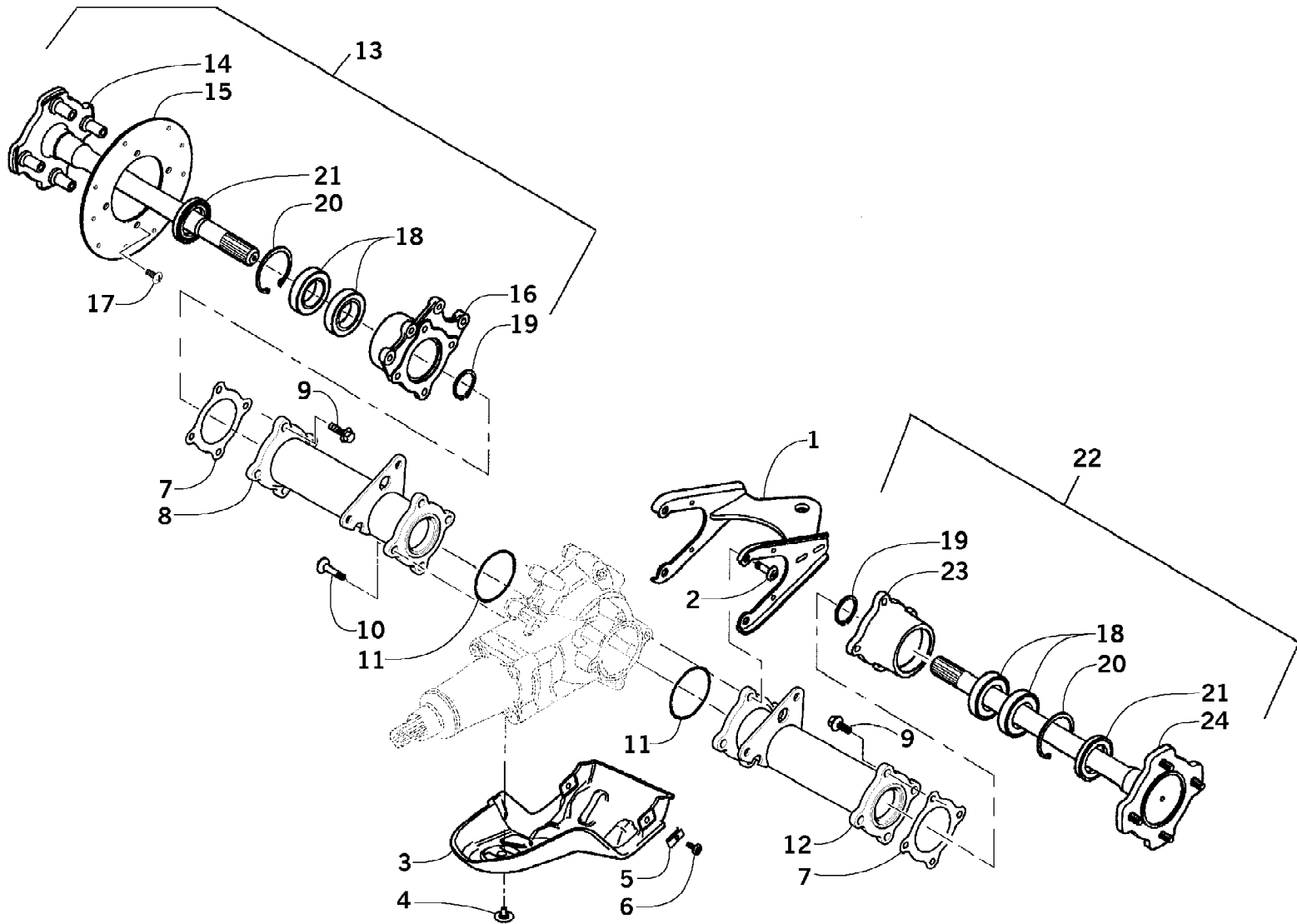


Ref #	Part Number	Qty	S/P/F	Description
1	0502-230	1	S	Mechanical Brake Assembly (inc. 2-7)
2	0	1	F	Housing, Brake
3	0	2	F	Pin, Arm
4	0	1	F	Arm, Inner
5	0	1	F	Arm, Outer
6	0	2	F	Spring, Arm
7	0402-958	2	/P	Pad, Brake
8	0402-379	1		Wire Form, Cable
9	8408-820	2	/P	Screw, Cap
10	0487-022	1		Cable, Brake - Rear
11	0502-236	1		Lever, Brake
12	0402-872	1		Axle, Brake Lever
13	0423-096	2		O-Ring
14	0402-838	1	S	Spring, Brake
15	8422-002	1		Nut

2002 ATV 500 AUTOMATIC TRANSMISSION TBX (A2002BXM4BUSG)
OIL FILTER/PUMP ASSEMBLY

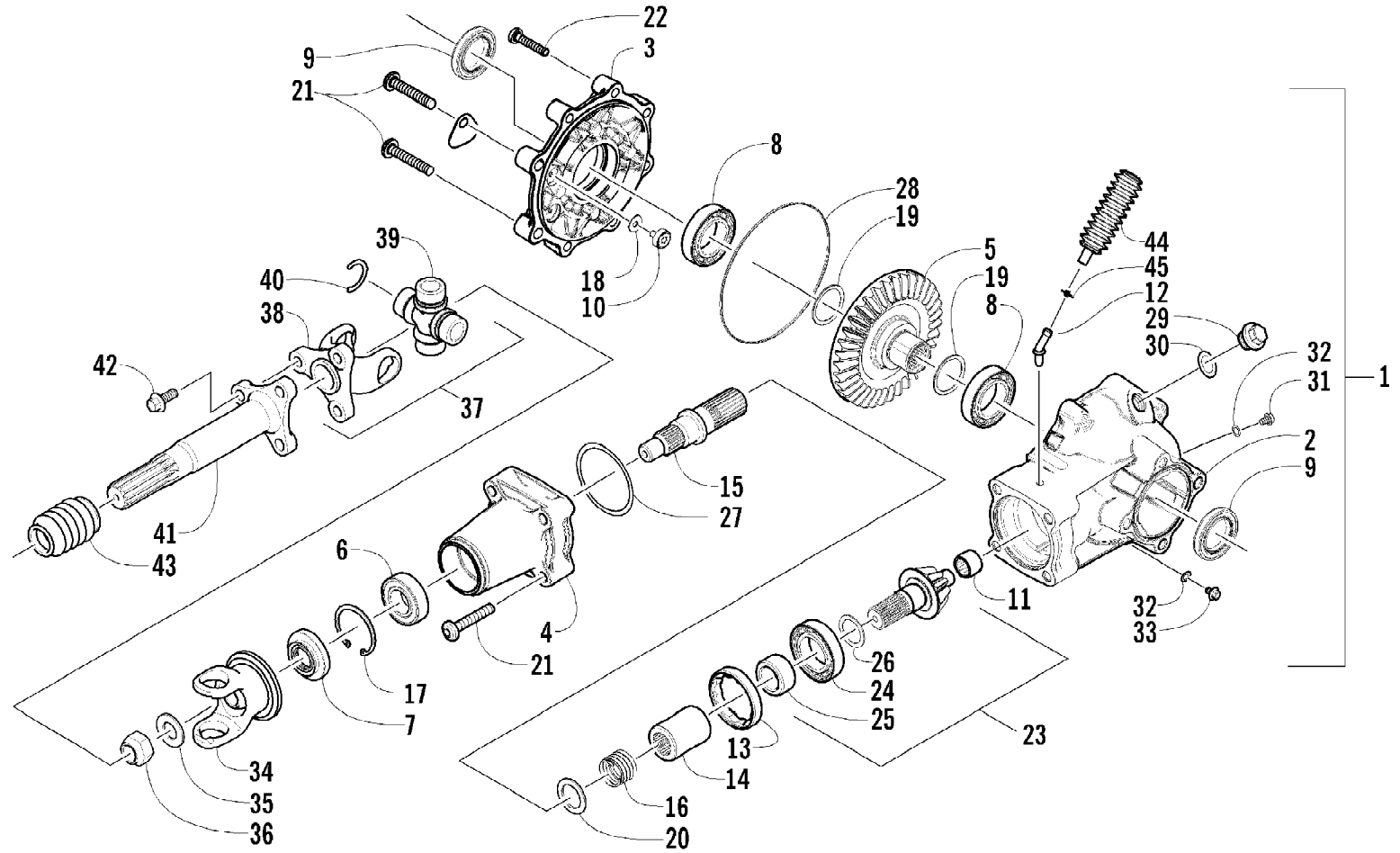


Ref #	Part Number	Qty	S/P/F	Description
1	3402-462	1		Pump, Oil
2	3402-463	1		Gear, Driven
3	3423-046	1		Pin
4	3423-115	1		Washer
5	3423-184	1	S	Circlip
6	3423-113	3	S/P	Screw, Cap
7	3402-156	1		Strainer, Oil
8	0693-389	2	S	Screw, Cap
9	3402-157	1		Cap, Oil Strainer
10	3423-077	1		O-Ring
11	3004-756	4	S	Screw, Cap
12	0436-146	1	S	Filter, Oil
13	3402-036	1	S	Plug, Drain
14	3402-012	1		Gasket, Drain Plug
15	3402-154	1		Valve, Assembly - Oil Relief
16	3402-158	1	S	Union, Oil Filter



Ref #	Part Number	Qty	S/P/F	Description
1	0506-300	1		Hitch, Trailer
2	0423-116	4		Screw, Self-Tapping
3	0406-415	1		Panel, Gearcase
4	0423-101	1		Screw, Body
5	0423-031	2		Nut, Speed
6	8477-616	2		Screw, Machine
7	0402-374	2		Gasket, Axle Housing
8	0502-227	1		Housing, Axle - Right
9	8409-025	8		Screw, Cap
10	0423-117	4		Screw, Self-Tapping
11	0423-119	2		O-Ring
12	0502-228	1		Housing, Axle - Left
13	0502-267	1	/P	Retainer, Axle - Assembly - Right (inc. 14-17, two No. 18, and one No. 19-21)
14	0502-272	1	/P	Axle Assembly - Right
15	0402-874	1	S	Disc, Brake
16	0502-096	1	S	Housing, Bearing - Right
17	0423-029	4		Screw, Shoulder
18	0402-339	4		Bearing
19	0402-351	2		Ring, Retaining
20	0402-347	2		Ring, Retaining
21	0402-348	2		Seal
22	0502-274	1	S	Retainer, Axle - Assembly - Left (inc. one No. 19-21 and 23-24)
23	0502-097	1	S	Housing, Bearing - Left
24	0502-273	1	/P	Axle Assembly - Left

2002 ATV 500 AUTOMATIC TRANSMISSION TBX (A2002BXM4BUSG)
REAR DRIVE GEARCASE ASSEMBLY



2002 ATV 500 AUTOMATIC TRANSMISSION TBX (A2002BXM4BUSG)
REAR DRIVE GEARCASE ASSEMBLY

Page 60 of 93

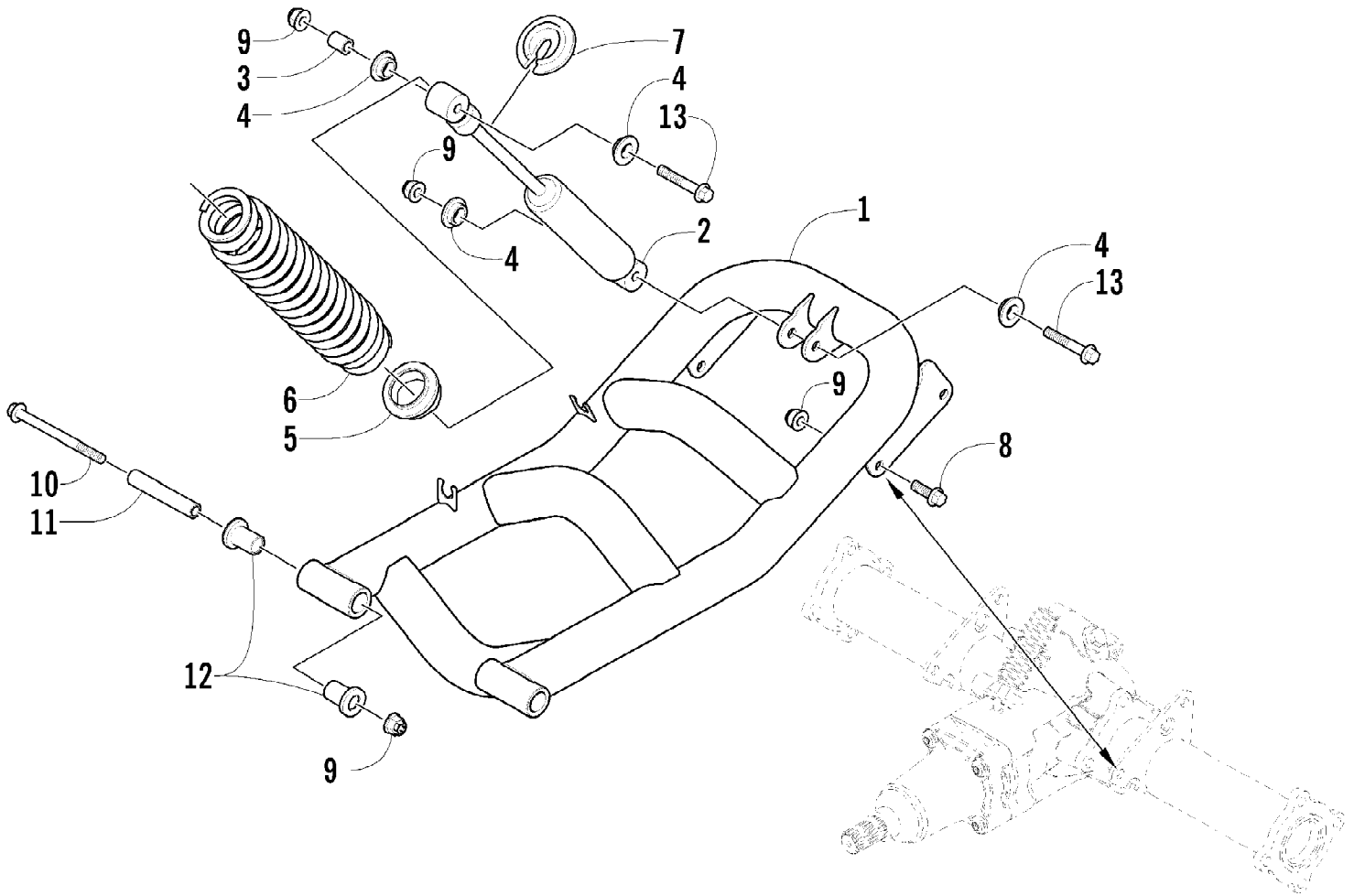
Ref #	Part Number	Qty	S/P/F	Description
	0502-275	1		Complete Assembly
1	0502-275	1		Gearcase, Rear Drive - Assembly (inc. 2-40)
2	0502-088	1		Housing, Gearcase
3	0502-089	1		Cover, Gearcase
4	0502-239	1		Housing, Pinion
5	0402-381	1		Gear, Ring - 36T
6	0402-322	1		Bearing
7	0402-949	1		Seal
8	0402-324	2		Bearing
9	0402-325	2		Seal
10	0402-326	1		Button, Thrust
11	0402-328	1		Bearing, Needle
12	0402-330	1		Fitting
13	0402-331	1		Collar, Lock
14	0402-335	1		Collar, Shaft
15	0402-942	1		Shaft, Thrust
16	0402-338	1		Spring, Compression
17	0402-321	1		Ring, Retaining
18	0402-429	AR		Shim
18	0402-430	AR		Shim
18	0402-431	AR		Shim
18	0402-432	AR		Shim
18	0402-433	AR		Shim
19	0402-434	AR		Shim
19	0402-435	AR		Shim
19	0402-436	AR		Shim
19	0402-437	AR		Shim
19	0402-438	AR		Shim
20	0423-111	1		Washer
21	0423-115	6		Screw, Self-Tapping
22	0423-118	6		Screw, Self-Tapping
23	0502-123	1		Gear, 10T - Assembly (inc. 24-26)
24	0402-327	1		Bearing
25	0402-336	1		Collar, Retaining
26	0402-424	AR		Shim
26	0402-425	AR		Shim
26	0402-426	AR		Shim
26	0402-427	AR		Shim
26	0402-428	AR		Shim
27	0423-148	1		O-Ring
28	0423-149	1		O-Ring
29	0402-333	1	/P	Plug, Fill (inc. 30)
30	0423-154	1		O-Ring, Fill Plug
31	0402-334	1		Plug, Drain (inc. one No. 32)
32	0423-153	2		O-Ring, Drain Plug
33	0402-450	1	S	Plug, Drain - Magnetic (inc. one No. 32)
34	0402-946	1		Yoke, Shaft
35	0423-134	1		Washer
36	0423-135	1		Nut
37	0502-331	1		Yoke/Joint Assembly (inc. 38-39 and two No. 40)
38	0402-945	1		Yoke, Driveshaft

2002 ATV 500 AUTOMATIC TRANSMISSION TBX (A2002BXM4BUSG)
REAR DRIVE GEARCASE ASSEMBLY

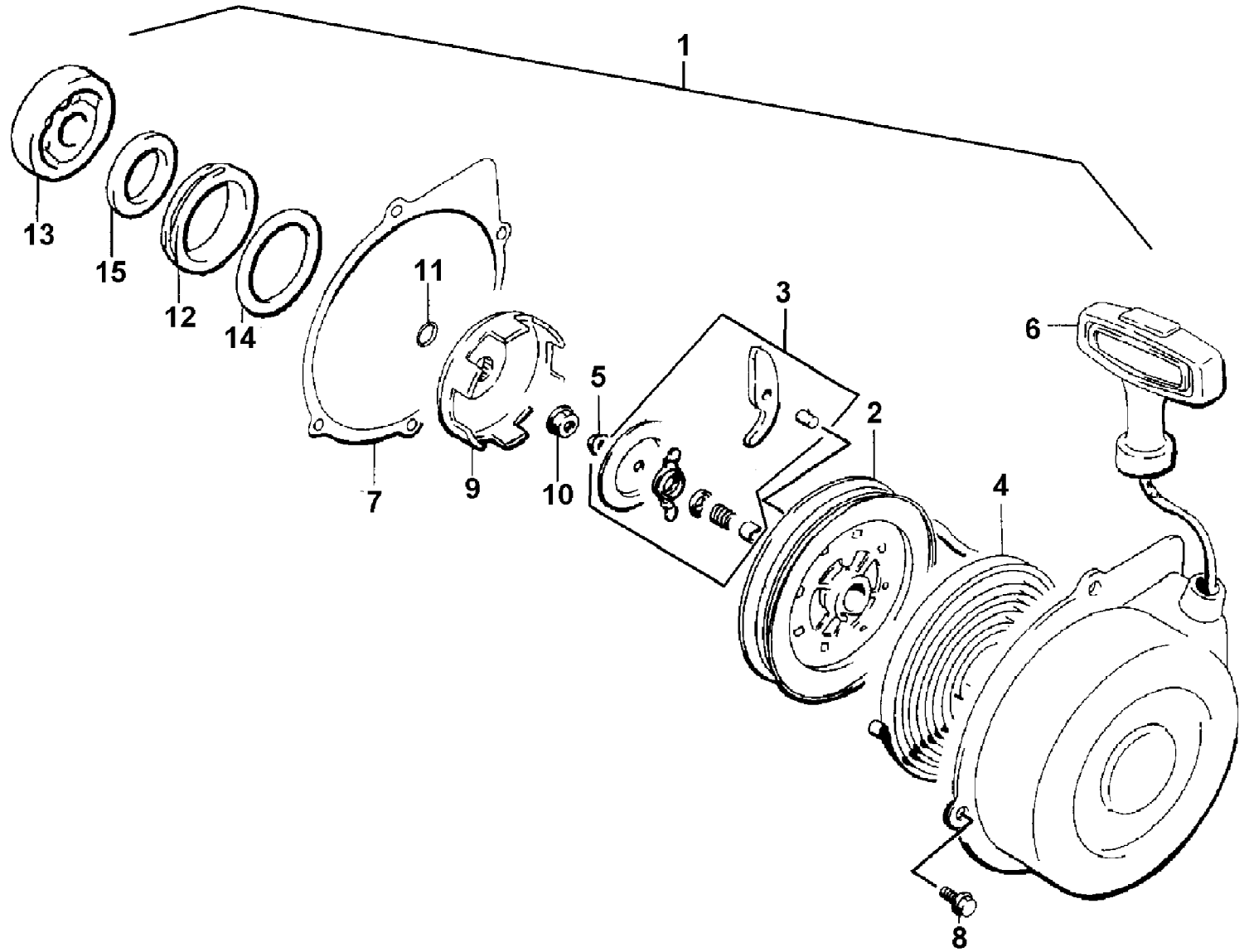
Page 61 of 93

Ref #	Part Number	Qty	S/P/F	Description
39	0402-944	1	/P	Joint, Universal - Set (inc. two No. 40)
40	0423-395	4		Ring, Retaining
41	0502-289	1		Driveshaft - Rear
42	8409-025	3		Screw, Cap
43	3435-005	1	/P	Boot, Driveshaft
44	0402-147	1	S	Bladder, Gearcase
45	0423-315	1		Clamp, Fitting

2002 ATV 500 AUTOMATIC TRANSMISSION TBX (A2002BXM4BUSG)
REAR SUSPENSION ASSEMBLY



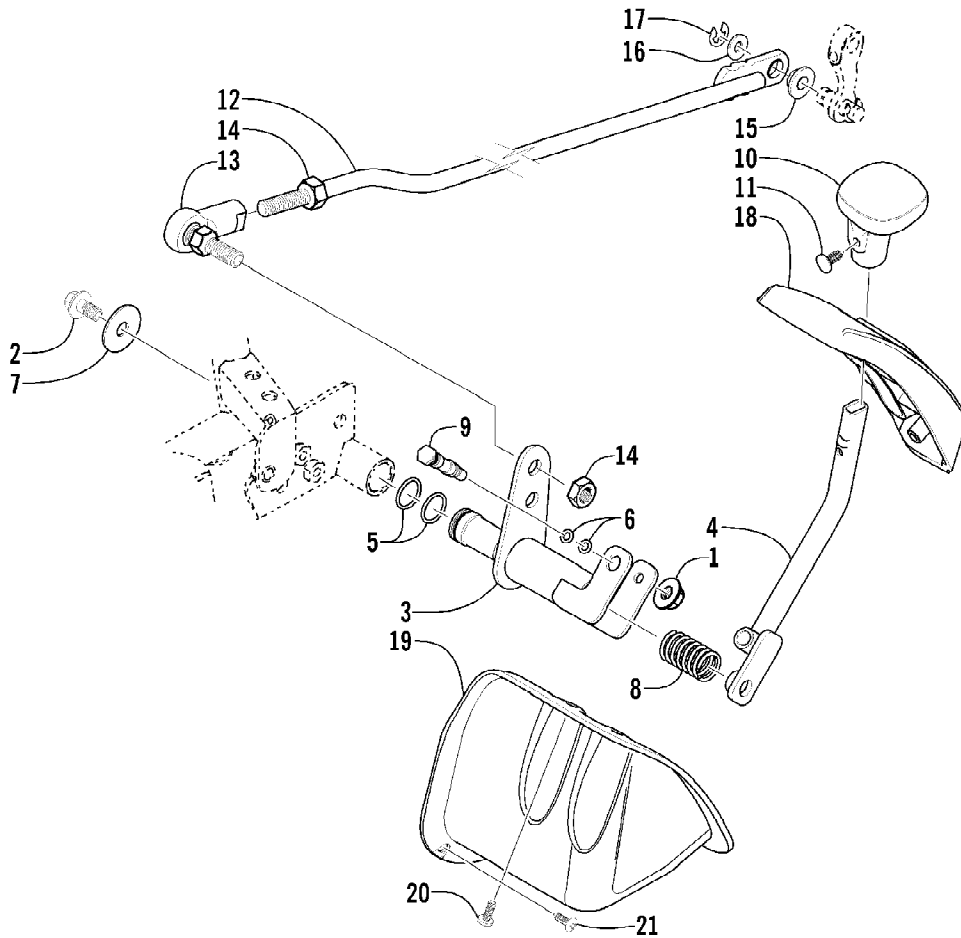
Ref #	Part Number	Qty	S/P/F	Description
1	0506-495	1		Arm, Swing
2	0404-040	1		Shock Absorber - Rear (inc. 3-5)
3	0403-028	2		Sleeve, Shock Absorber
4	0604-310	4		Bushing, Shock Absorber
5	0403-100	1		Retainer, Spring - Adjustable
6	0404-041	1		Spring, Shock Absorber
7	1603-889	1	/P	Retainer, Spring - Upper
8	8409-030	4		Screw, Cap
9	8428-002	8		Nut, Lock
10	0423-343	2		Screw, Cap
11	0404-044	2		Collar, Bushing
12	0403-032	4	S	Bushing
13	8409-060	2		Screw, Cap
	0444-132	1	F	Wrench, Spanner - Rear Shock



2002 ATV 500 AUTOMATIC TRANSMISSION TBX (A2002BXM4BUSG)
RECOIL STARTER ASSEMBLY

Page 65 of 93

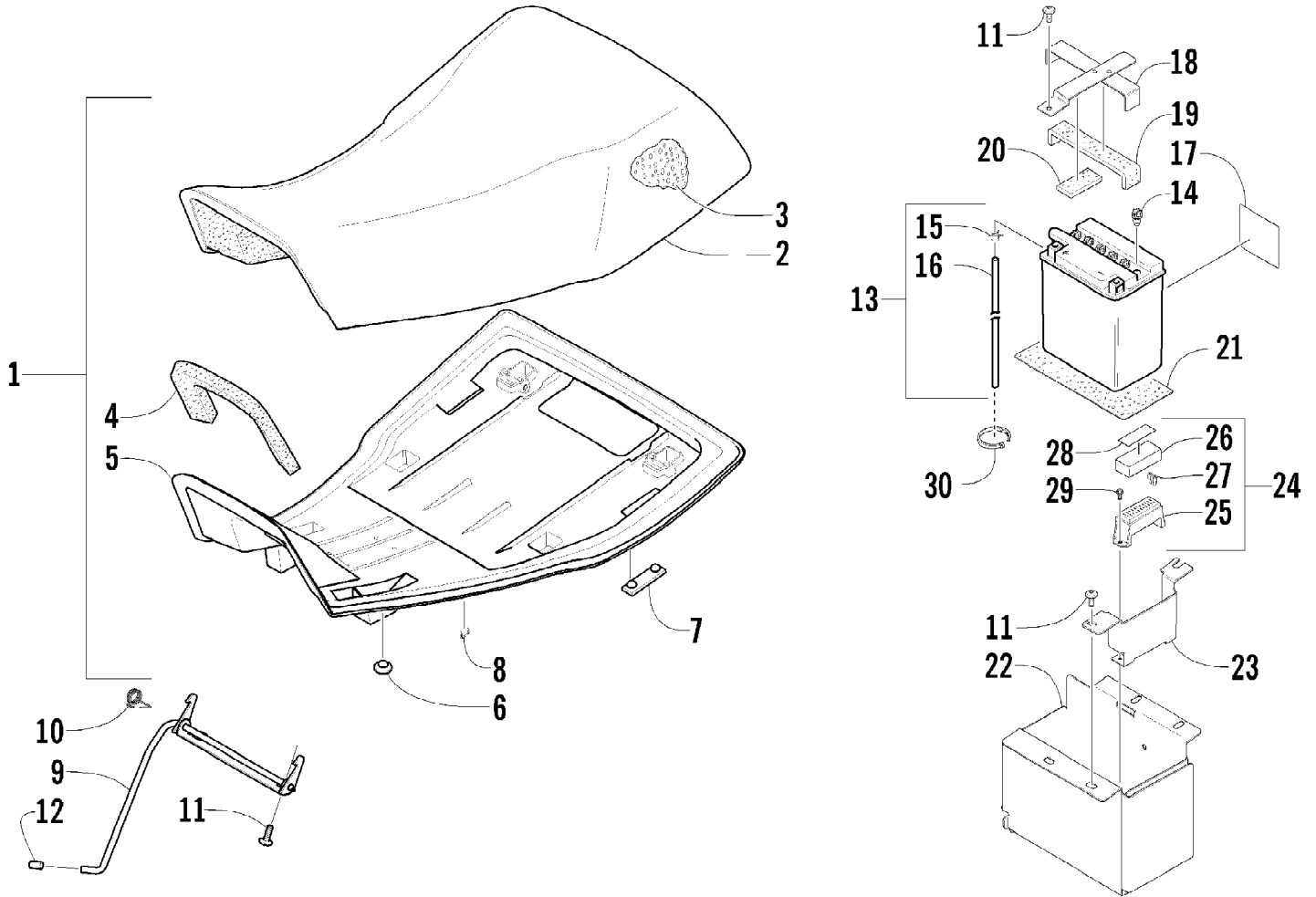
Ref #	Part Number	Qty	S/P/F	Description
1	3445-003	1		Starter, Recoil - Assembly (inc. 2-6)
2	3445-004	1		Reel
3	3445-016	1		Ratchet Assembly
4	3445-007	1		Spring, Spiral
5	3004-488	1	S/P	Nut
6	3445-011	1		Rope Assembly
7	3445-013	1	/P	Gasket
8	3423-112	4	S	Screw, Cap
9	3445-027	1	S	Cup, Starter
10	3004-491	1	S/P	Nut
11	3423-053	1	/P	O-Ring
12	3402-119	1	S	Spacer
13	3402-051	1		Bearing
14	3423-063	1		O-Ring
15	3402-070	1		Seal, Oil



2002 ATV 500 AUTOMATIC TRANSMISSION TBX (A2002BXM4BUSG)
REVERSE SHIFT LEVER ASSEMBLY

Page 67 of 93

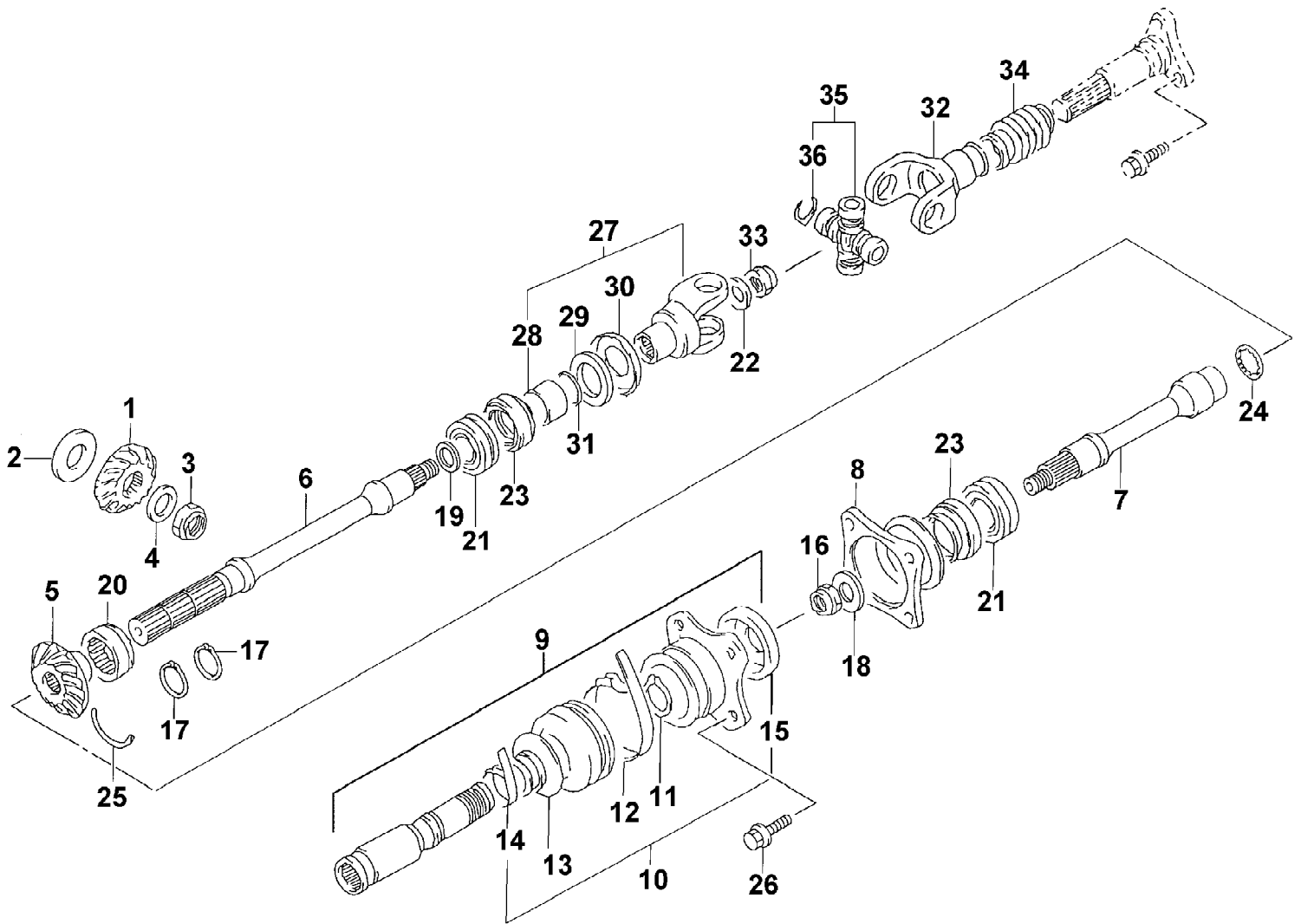
Ref #	Part Number	Qty	S/P/F	Description
1	8424-602	1	/P	Nut
2	8408-812	1		Screw, Cap
3	0502-187	1		Axle, Reverse Shift Lever
4	0502-185	1		Lever, Reverse Shift
5	0423-299	2	/P	O-Ring
6	0423-182	2	/P	O-Ring
7	0423-087	1		Washer
8	0402-678	1	/P	Spring, Lever
9	0402-675	1		Axle, Pivot
10	0402-843	1	/P	Handle, Lever
11	0423-345	1		Clip, Push
12	0502-188	1		Linkage, Shifting
13	0402-844	1		End, Rod
14	0623-294	2		Nut
15	0423-091	1		Bushing
16	8050-242	1		Washer
17	0423-169	1	/P	E-Ring
18	0402-685	1		Plate, Shift
19	0406-943	1		Shield, Linkage
20	0423-371	3		Screw, Machine
21	0623-309	1		Screw, Self-Tapping



2002 ATV 500 AUTOMATIC TRANSMISSION TBX (A2002BXM4BUSG)
SEAT AND BATTERY ASSEMBLIES

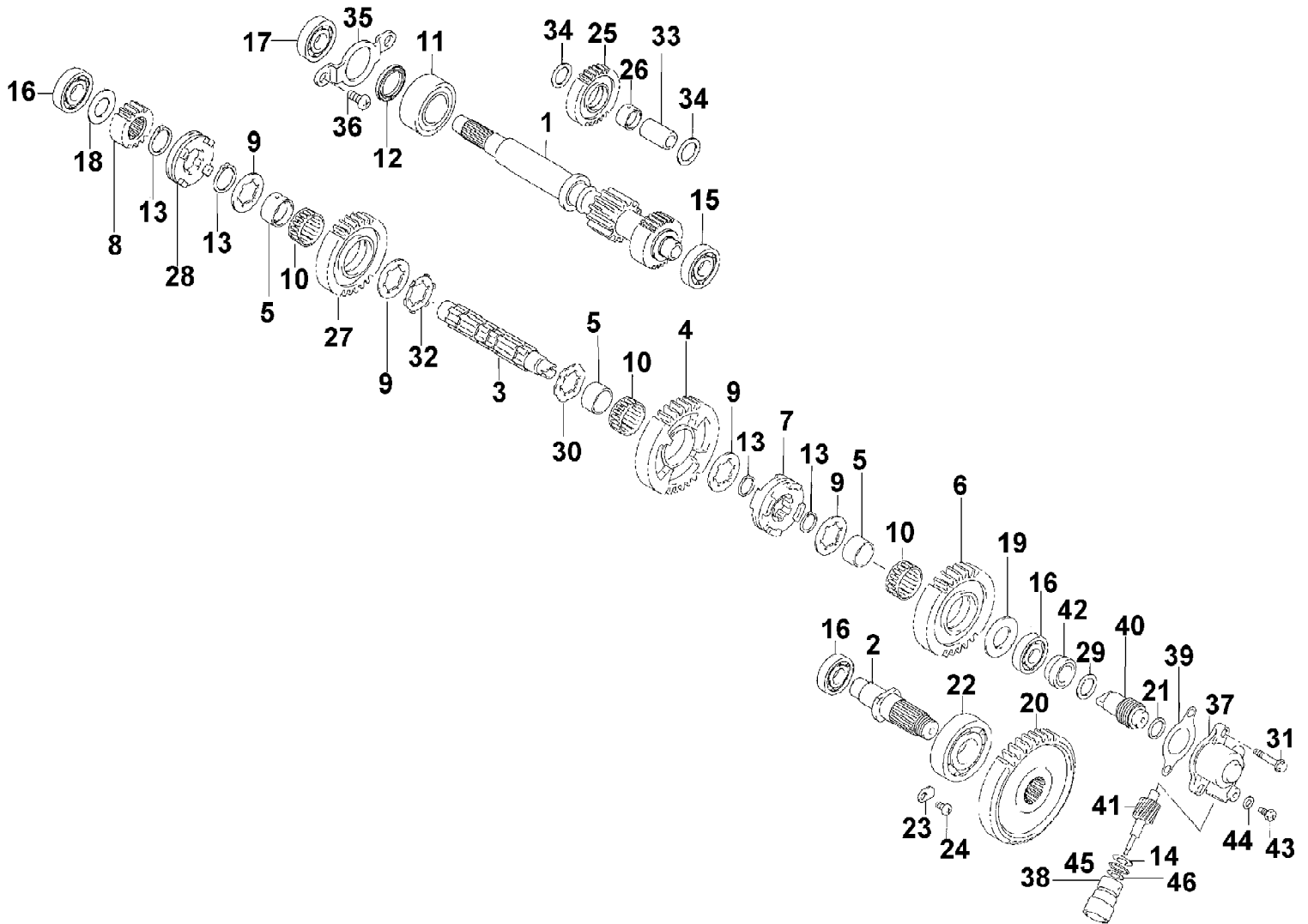
Page 69 of 93

Ref #	Part Number	Qty	S/P/F	Description
1	0506-613	1		Seat Assembly (inc. 2-8)
2	0506-556	1		Cover, Seat
3	0506-555	1		Foam, Seat
4	1406-060	1		Foam, Sound
5	0406-925	1		Base, Seat Assembly (inc. 6-7)
6	0406-877	2	/P	Bumper, Seat - Front
7	0406-879	2		Bumper, Seat - Rear
8	0624-100	AR		Staple
9	0406-967	1		Release, Seat - Assembly
10	0406-235	1		Spring, Seat Release
11	8477-616	3		Screw, Machine
12	0623-404	1		Cap, Protector
13	0445-005	1	S	Battery Assembly (inc. 14-17)
14	0645-045	6		Cap, Battery
15	0645-152	1		Clamp, Hose
16	0645-263	1	/P	Hose, Battery Vent
17	0645-151	1		Label, Warning - Battery
18	0506-716	1		Strap, Battery w/Pads (inc. 19-20)
19	0406-289	1		Pad, Battery - Upper Rear
20	0406-548	1		Pad, Battery - Upper Front
21	0406-556	1		Pad, Battery - Lower
22	0406-982	1		Box, Battery
23	0406-964	1		Bracket, Fuse Holder
24	0530-001	1		Box, Fuse - Assembly (inc. 25-26)
25	0	1	F	Block, Fuse
26	0	1	F	Cover, Fuse Box
27	0630-057	4		Fuse - 10 Amp
27	0630-058	2		Fuse - 15 Amp
28	0411-271	1		Decal, Fuse Block
29	0623-361	2		Screw, Self-Tapping
30	0123-903	1		Cable Tie - 11.5 in.



Ref #	Part Number	Qty	S/P/F	Description
1	3402-510	1	S	Gear, Secondary Drive
2	3446-035	1		Shim, Secondary Drive Gear - Set
3	3423-023	1		Nut
4	3005-372	1		Washer
5	3402-511	1	S	Gear, Secondary Driven
6	3402-512	1		Shaft, Secondary Driven - Front
7	3402-513	1		Shaft, Secondary Driven - Rear
8	3402-514	1	/P	Flange, Output Joint - Rear
9	3435-010	1		Joint, Rear Output - Assembly (inc. 10-15)
10	3435-066	1		Boot, Joint - Set (inc. 11-15)
11	3423-210	1		Ring, Snap
12	3423-211	1		Band
13	3435-067	1		Boot
14	3423-212	1		Band
15	3423-356	1		Seal, Plate
16	3423-025	1		Nut, Rear Output Joint
17	3423-340	2	S	Circlip, Secondary Driven Gear
18	3423-028	1		Washer, Rear Output Joint
19	3402-017	AR		Shim, 25 x 34 x 0.60 mm
19	3402-018	AR		Shim, 25 x 34 x 0.65 mm
19	3402-019	AR		Shim, 25 x 34 x 0.70 mm
19	3402-020	AR		Shim, 25 x 34 x 0.75 mm
19	3402-021	AR	S	Shim, 25 x 34 x 0.80 mm
19	3402-022	AR		Shim, 25 x 34 x 0.85 mm
19	3402-023	AR		Shim, 25 x 34 x 0.90 mm
19	3402-024	AR		Shim, 25 x 34 x 0.95 mm
19	3402-025	AR	S	Shim, 25 x 34 x 1.00 mm
19	3402-028	AR		Shim, 25 x 34 x 1.05 mm
19	3402-029	AR		Shim, 25 x 34 x 1.10 mm
19	3402-030	AR		Shim, 25 x 34 x 1.15 mm
19	3402-031	AR		Shim, 25 x 34 x 1.20 mm
20	3402-515	1	/P	Bearing, Driven Gear
21	3402-067	2	S	Bearing, Driven Shaft
22	3423-028	1		Washer, Yoke - Front
23	3402-072	2		Seal, Oil - Driven Shaft
24	3423-415	1		Washer, Driven Shaft
25	3423-072	1		C-Ring, Driven Bearing
26	8408-820	4	/P	Bolt, Output Joint - Rear
27	3435-090	1	/P	Yoke, Drive Output - Front (inc. 28-31)
28	3435-029	1		Collar
29	3435-030	1		Plate, Collar
30	3423-035	1		Plate, Collar
31	3423-060	1		O-Ring, Collar
32	3402-516	1		Yoke, Propeller Shaft
33	3423-025	1		Nut, Yoke - Front
34	3402-518	1	S	Boot, Propeller Shaft
35	3435-011	1		Joint, Universal - Set (inc. 36)
36	3423-067	4		Circlip

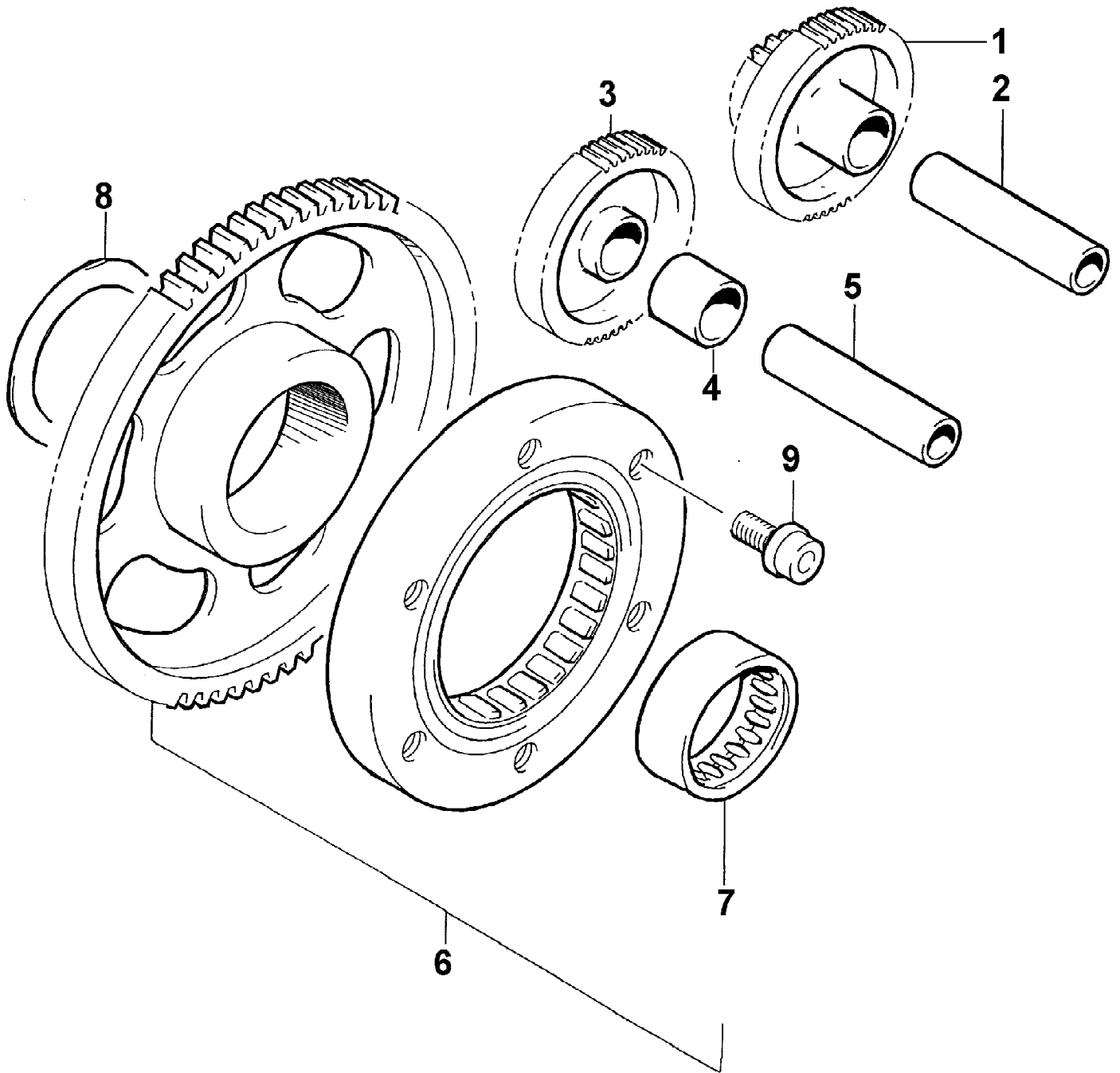
2002 ATV 500 AUTOMATIC TRANSMISSION TBX (A2002BXM4BUSG)
SECONDARY TRANSMISSION ASSEMBLY



2002 ATV 500 AUTOMATIC TRANSMISSION TBX (A2002BXM4BUSG)
SECONDARY TRANSMISSION ASSEMBLY

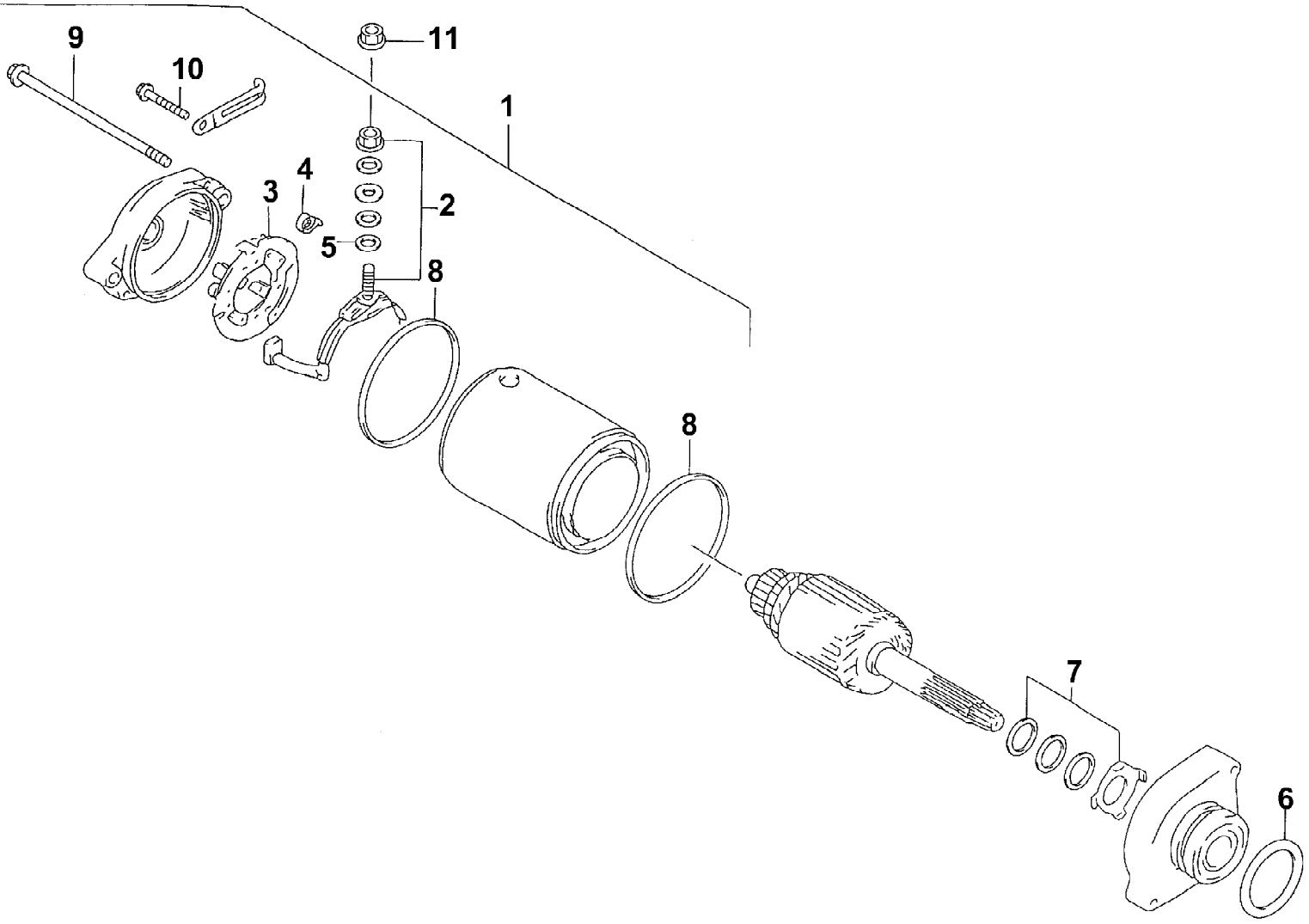
Page 73 of 93

Ref #	Part Number	Qty	S/P/F	Description
1	3402-524	1		Driveshaft
2	3402-491	1		Shaft, Output
3	3402-492	1		Countershaft
4	3402-493	1	S	Gear, Driven - Low
5	3402-494	3		Bushing
6	3402-495	1		Gear, Driven - High
7	3402-496	1		Dog, Sliding
8	3402-497	1		Gear, Drive - No. 2
9	3423-263	4		Washer
10	3402-498	3		Bearing
11	3402-499	1		Bearing, Driveshaft
12	3402-500	1	S	Seal, Driveshaft
13	3423-066	4	/P	Circlip
14	3423-144	1		Washer, Driven Gear
15	3003-261	1	/P	Bearing, Driveshaft - Left
16	3402-045	3	/P	Bearing, Shaft
17	3402-490	1		Bearing, Driveshaft - Right
18	3423-411	1		Washer, Drive Gear No. 2
19	3423-412	1		Washer, Driven Gear
20	3402-501	1	S	Gear, Driven - No. 2
21	3423-145	1		Washer, Drive Gear - Left
22	3402-502	1		Bearing, Output Shaft
23	3446-031	2	/P	Retainer, Bearing
24	3004-552	2	S	Screw, Bearing Retainer
25	3402-503	1		Gear, Reverse Idle
26	3402-504	1		Bushing, Reverse Idle Gear
27	3402-505	1		Gear, Reverse Driven
28	3402-506	1		Dog, Reverse Driven Gear
29	3423-146	1		Washer, Drive Gear - Right
30	3423-262	1		Washer, Lock
31	3423-346	2	S	Bolt, Housing
32	3423-266	1		Washer, Lock
33	3402-507	1		Shaft, Reverse Idle
34	3402-195	2		Washer, Reverse Idle Gear
35	3423-410	1		Retainer, Driveshaft Bearing
36	3423-018	2		Screw, Bearing Retainer
37	3446-057	1		Housing, Speedometer Gear
38	3446-058	1		Sleeve
39	3446-244	1	/P	Gasket
40	3402-508	1		Gear, Drive
41	3402-509	1		Gear, Driven
42	3446-114	1	/P	Spacer, Driven Gear
43	3423-143	1	S	Screw, Driven Gear
44	3402-009	1	/P	Washer, Driven Gear
45	3423-056	1		O-Ring, Driven Gear
46	3402-077	1		Seal, Driven Gear

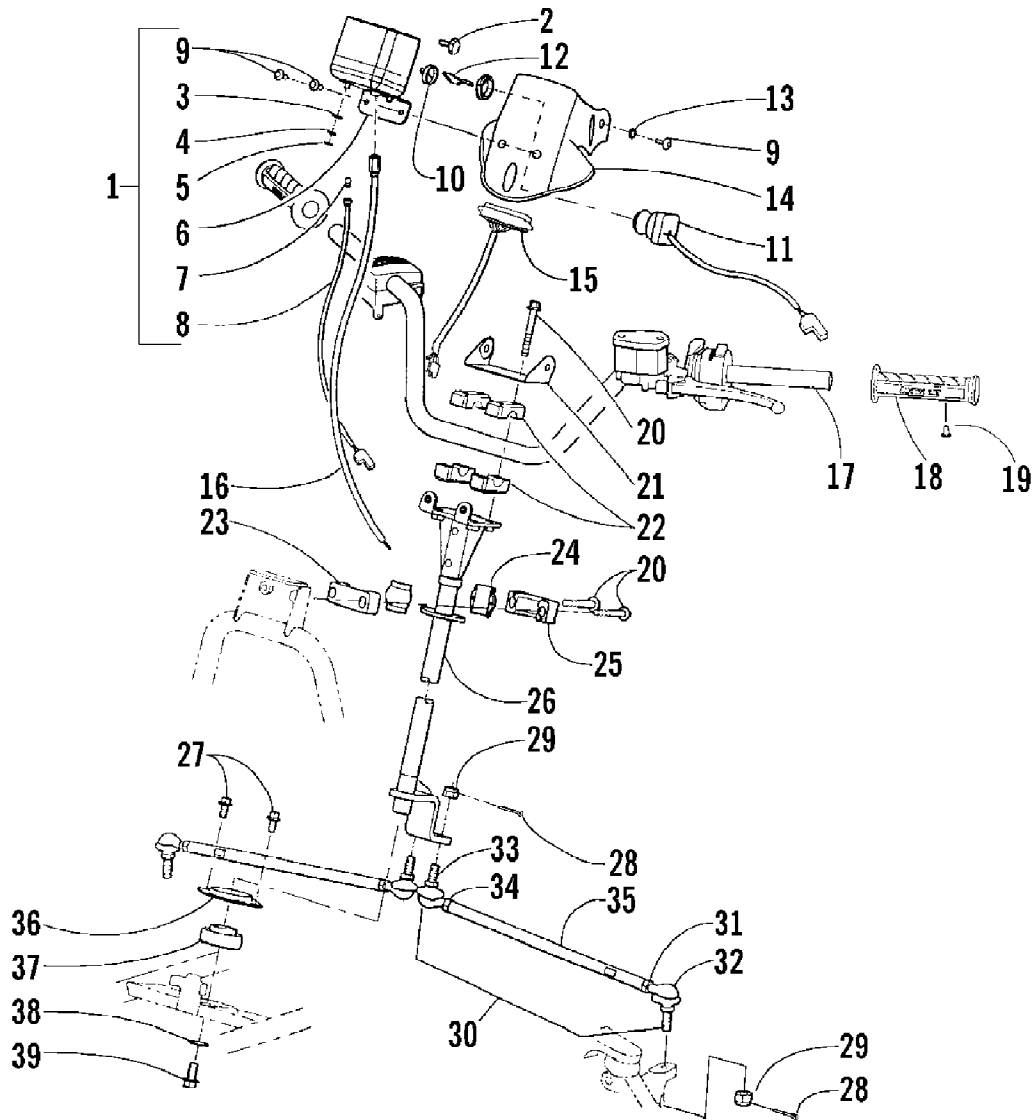


Ref #	Part Number	Qty	S/P/F	Description
1	3402-523	1	S	Gear, Starter Idler - No. 1
2	3423-331	1		Pin
3	3402-349	1		Gear, Starter Idler - No. 2
4	3423-396	1		Spacer, Starter Idler Gear No. 2
5	3423-397	1		Pin
6	3402-457	1		Clutch, Starter - Set (inc. 7)
7	3402-063	1		Bearing
8	3423-104	1		Washer
9	3423-102	6	S	Screw, Cap

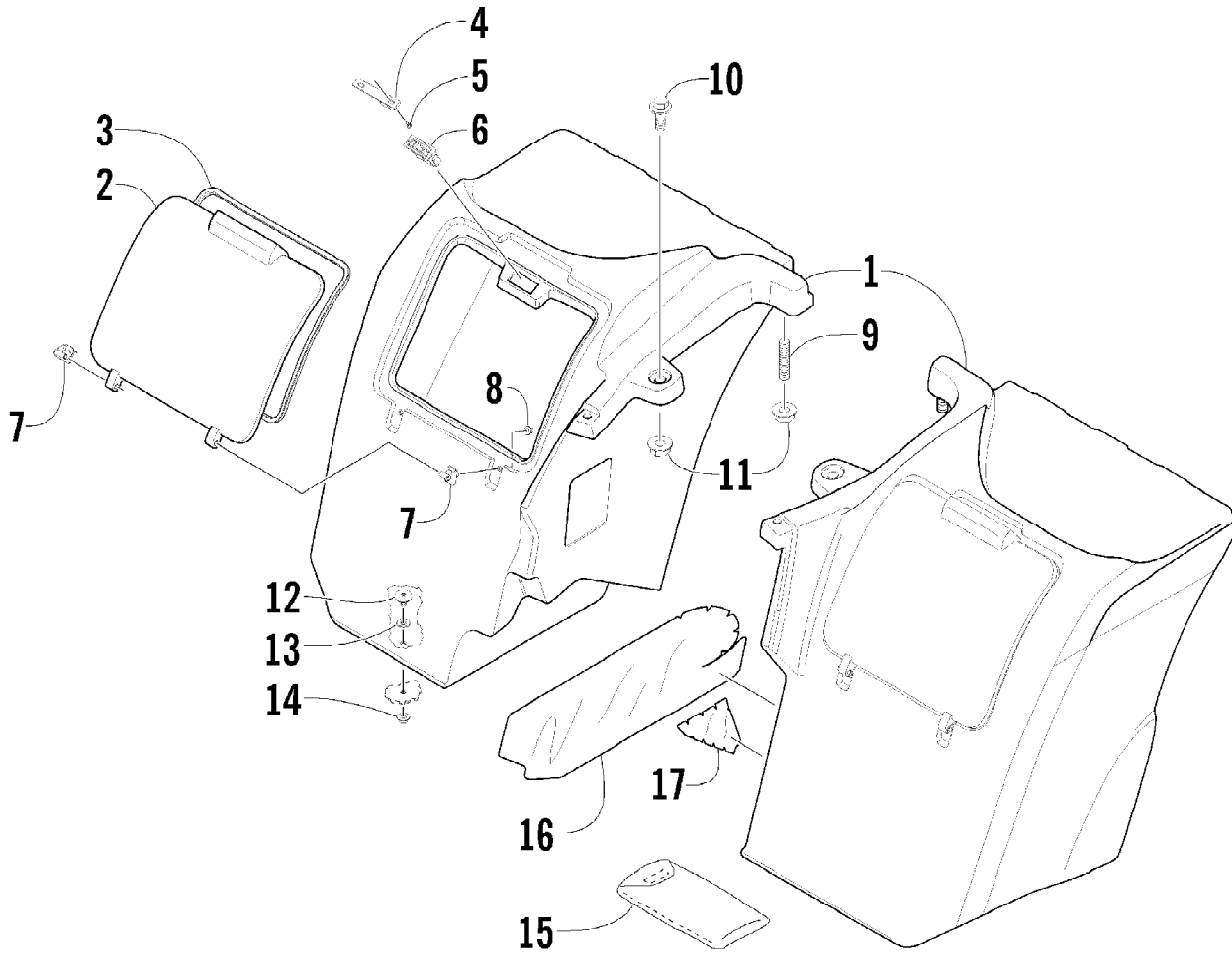
2002 ATV 500 AUTOMATIC TRANSMISSION TBX (A2002BXM4BUSG)
STARTER MOTOR ASSEMBLY



Ref #	Part Number	Qty	S/P/F	Description
1	3545-015	1	S	Motor, Starter Assembly (inc. 2-9)
2	3008-094	1	/P	Terminal Set, Brush
3	3008-095	1	/P	Holder Set, Brush
4	3008-096	4		Spring, Brush
5	3008-164	1		O-Ring
6	3423-084	1		O-Ring
7	3436-001	1		Washer Set
8	3008-553	2	/P	O-Ring
9	3423-085	2		Screw, Cap
10	3423-162	2	S	Screw, Cap
11	3423-195	1	/P	Nut

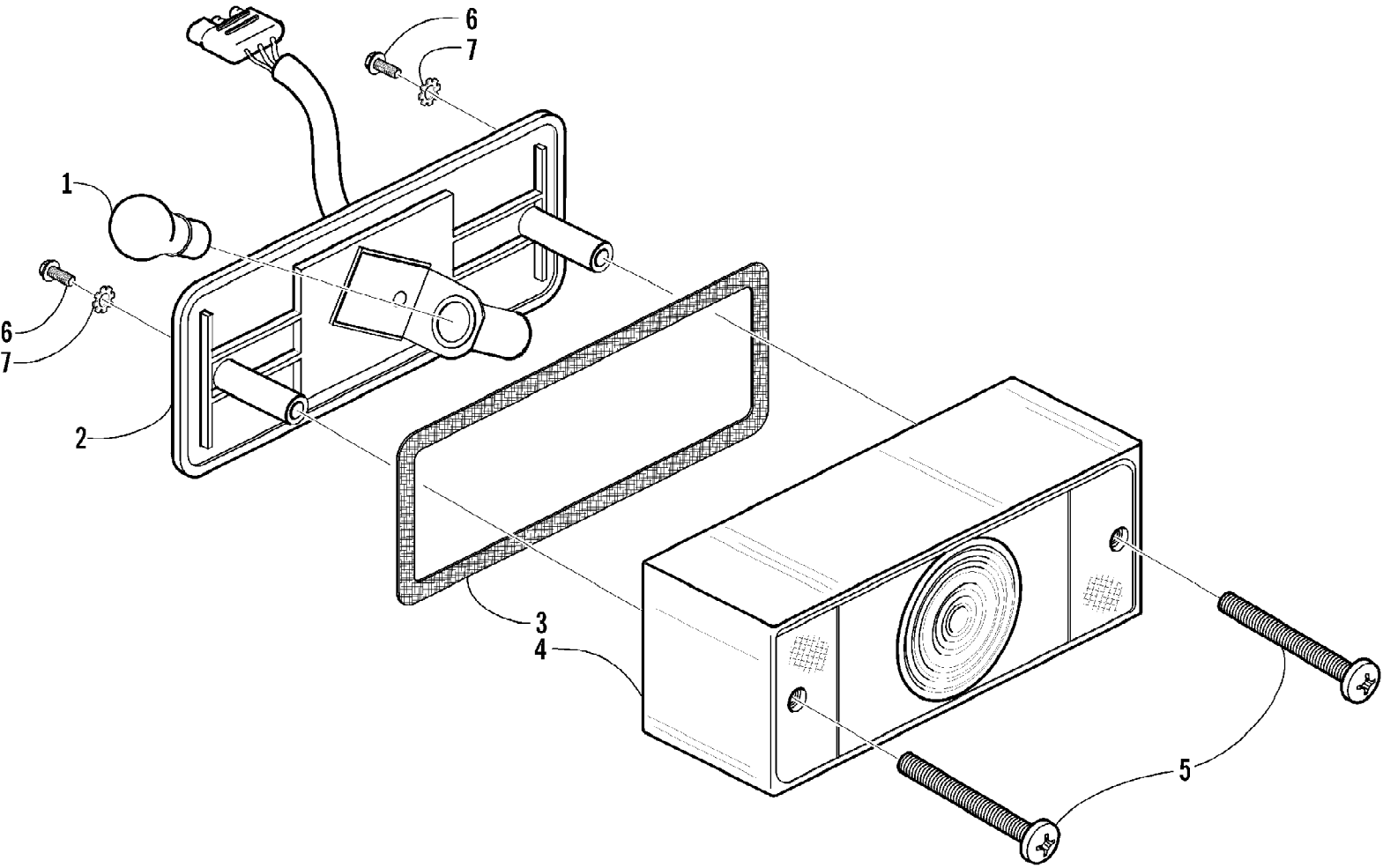


Ref #	Part Number	Qty	S/P/F	Description
1	0420-031	1	/P	Speedometer (inc. 2-8)
2	0420-027	1		Knob, Speedometer Trip
3	0420-016	2		Mount, Rubber
4	0420-017	2		Washer
5	0420-015	2		Pin, Retainer
6	0420-018	1		Bracket, Speedometer
7	0620-149	1	/P	Bulb, Speedometer
8	0420-014	1		Harness, Speedometer
9	8477-616	3		Screw, Machine
10	0409-013	1		Cover, Key
11	3430-040	1		Switch, Ignition - Assembly (inc. 12)
12	3409-007	1	/P	Key, Ignition - Blank (C Series)
12	3409-011	1		Key, Ignition - Blank (D Series)
12	3409-012	1		Key, Ignition - Blank (E Series)
12	3409-013	1		Key, Ignition - Blank (F Series)
13	0423-052	1		Collar, Body
14	0405-063	1		Instrument Pod
15	0420-029	1	S	Panel, LED
16	0487-026	1		Cable, Speedometer
17	0505-406	1	S/P	Tube, Handlebar
18	0405-039	2	/P	Grip, Handlebar
19	8060-428	2		Rivet
20	8408-860	6		Screw, Cap
21	0506-348	1	/P	Bracket, Key Switch
22	0405-035	4		Cap, Steering Adjuster
23	0605-171	1		Housing, Bearing - Lower
24	0405-020	2		Bearing, Steering Post
25	0605-147	1	S	Housing, Bearing - Upper
26	0505-073	1	S	Post, Steering
27	8408-816	2		Screw, Cap
28	0623-175	4		Pin, Cotter
29	0423-157	4		Nut, Top Lock
30	0505-072	2	/P	Tie Rod, Assembly (inc. 31-35)
31	8420-002	2	/P	Nut - Right
32	0405-082	2	S	Ball Joint, Tie Rod - Right
33	0405-083	2	S	Ball Joint, Tie Rod - Left
34	0423-013	2		Nut - Left
35	0405-032	2		Tie Rod
36	0602-233	1		Flange, Bearing
37	0405-052	1		Bearing w/Inverted Oil Seal
38	0423-073	1		Washer
39	8409-020	1	/P	Screw, Cap

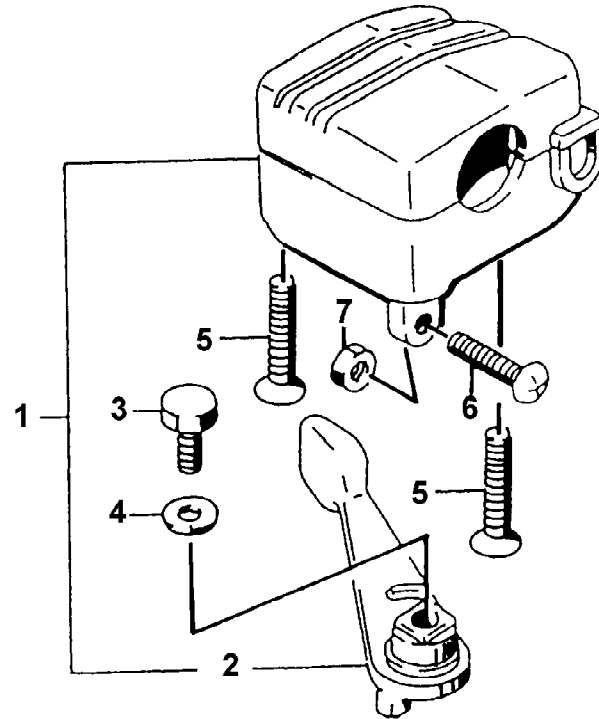


Ref #	Part Number	Qty	S/P/F	Description
1	0506-669	1	S	Box, Storage - Right (inc. 2-8)
1	0506-668	1	S	Box, Storage - Left (inc. 2-8)
2	0406-958	2		Hatch
3	0506-817	2		Gasket Kit
4	1406-010	2		Plate, Striker - Latch
5	0123-950	4		Screw, Self-Tapping
6	0406-990	2		Latch Assembly
7	0506-674	4		Hinge
8	8424-502	8		Nut
9	0423-399	2		Bolt, Stud
10	0423-106	2		Screw, Shoulder
11	8424-802	4		Nut, Flange
12	0423-101	4		Screw, Body
13	0673-349	4		Gasket
14	8424-602	4	/P	Nut, Flange
15	0444-122	1	S/P	Kit, Tool
16	0412-166	1		Shield, Heat
17	0412-167	1		Shield, Heat

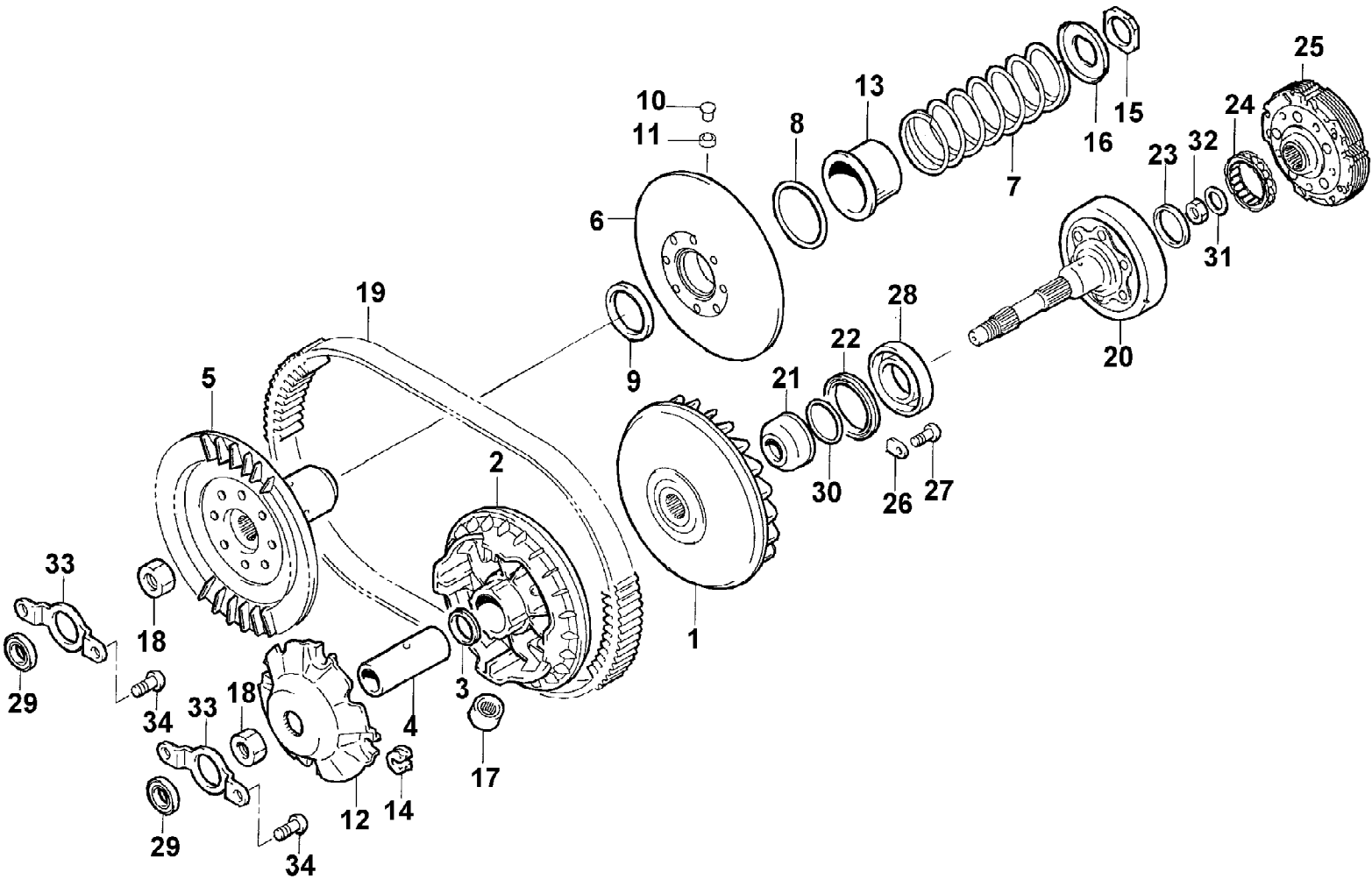
2002 ATV 500 AUTOMATIC TRANSMISSION TBX (A2002BXM4BUSG)
TAILLIGHT ASSEMBLY



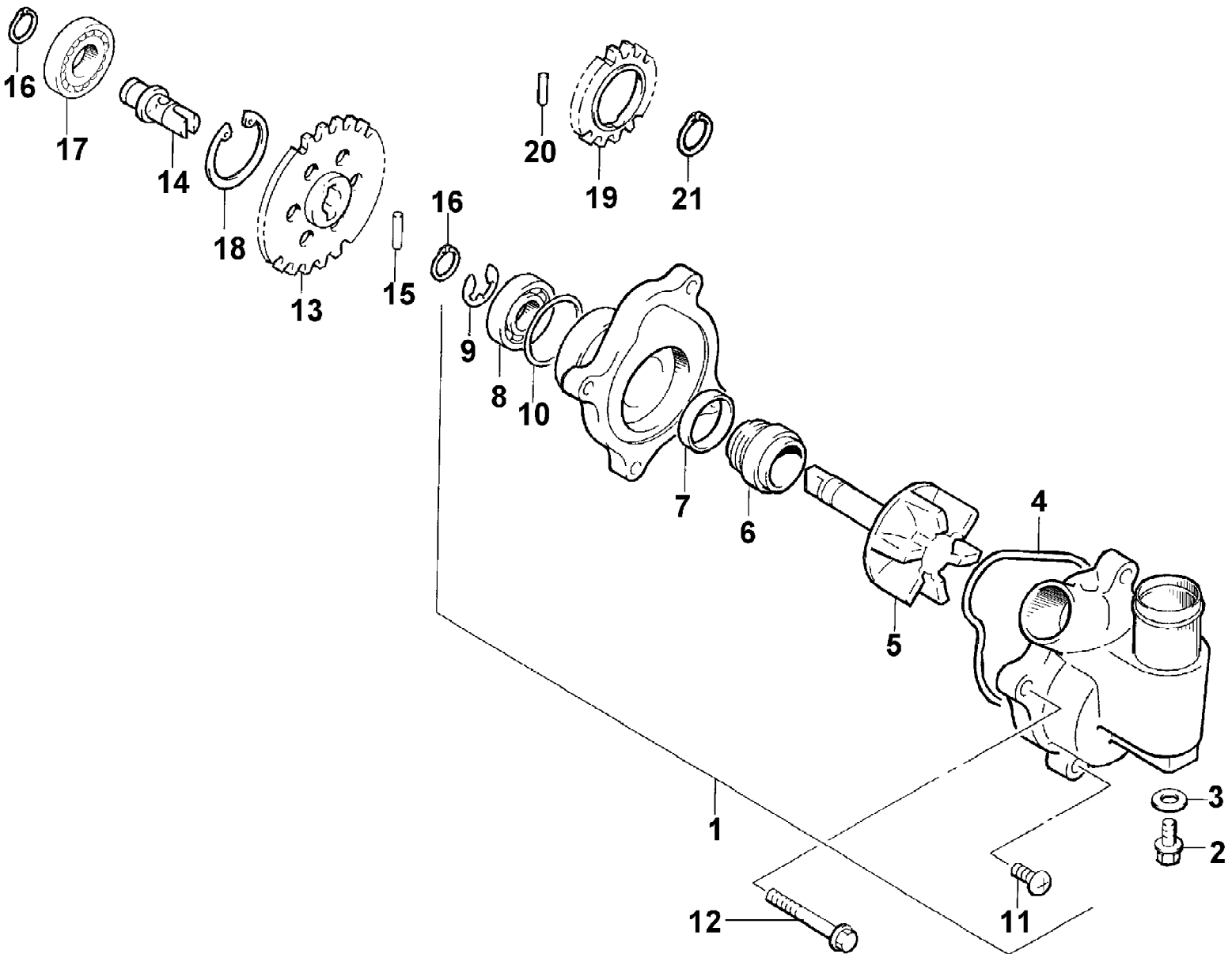
Ref #	Part Number	Qty	S/P/F	Description
	0409-002	1		Complete Taillight Assembly
1	0109-460	1	/P	Bulb, Stop/Taillight
2	0409-011	1		Taillight w/Socket Assembly
3	0409-012	1		Gasket, Taillight Lens
4	0409-007	1		Lens, Taillight
5	0409-010	2		Screw, Machine
6	0623-301	2	/P	Screw, Self-Tapping
7	8053-212	2	/P	Washer, Lock - External Tooth



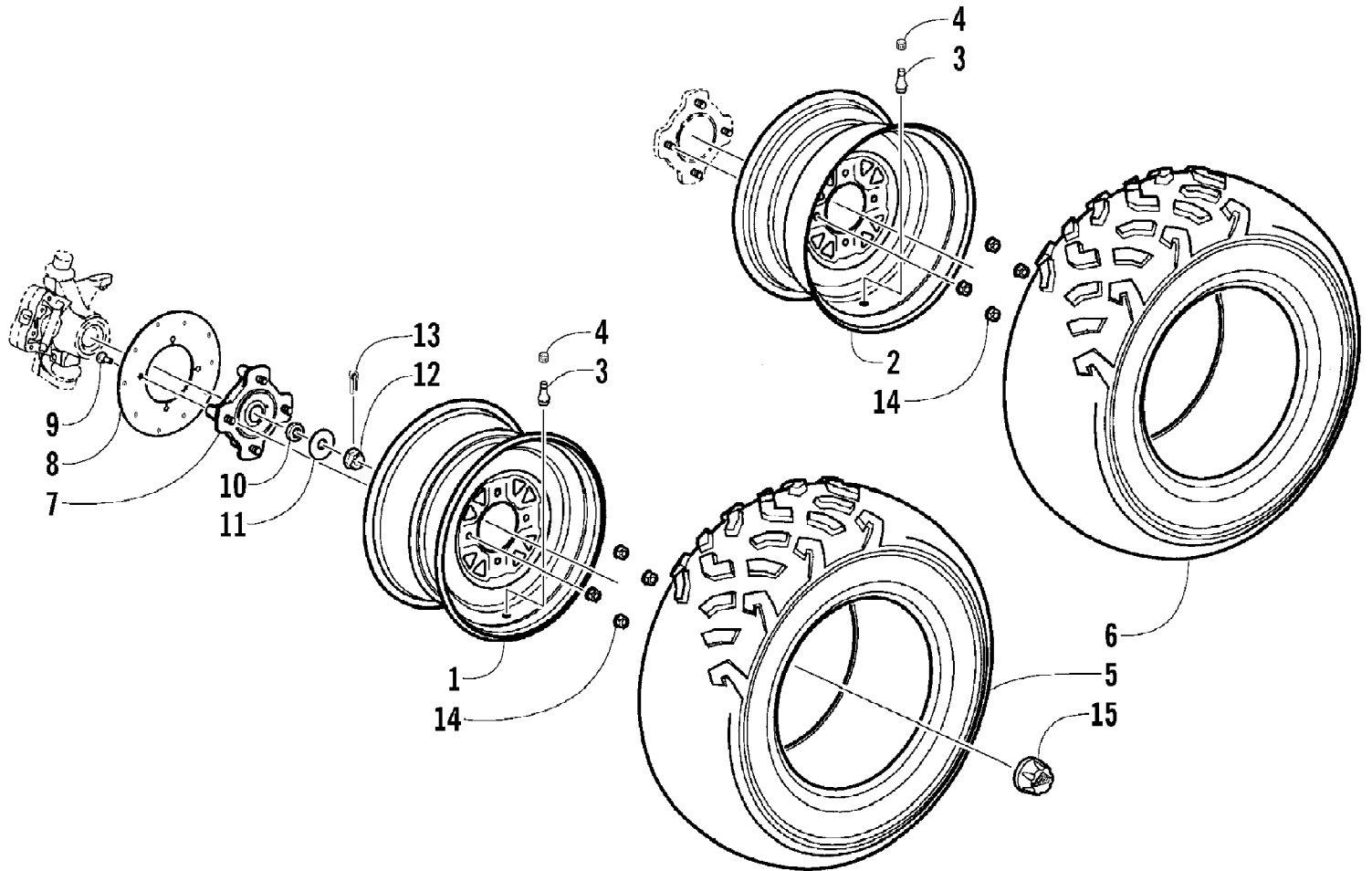
Ref #	Part Number	Qty	S/P/F	Description
1	3509-003	1	/P	Case, Throttle - Assembly (inc. 2-7)
2	3409-001	1		Lever
3	3423-420	1		Bolt
4	0693-490	1		Washer, Lock
5	3423-199	2		Screw
6	3423-014	1		Screw
7	3423-327	1		Nut



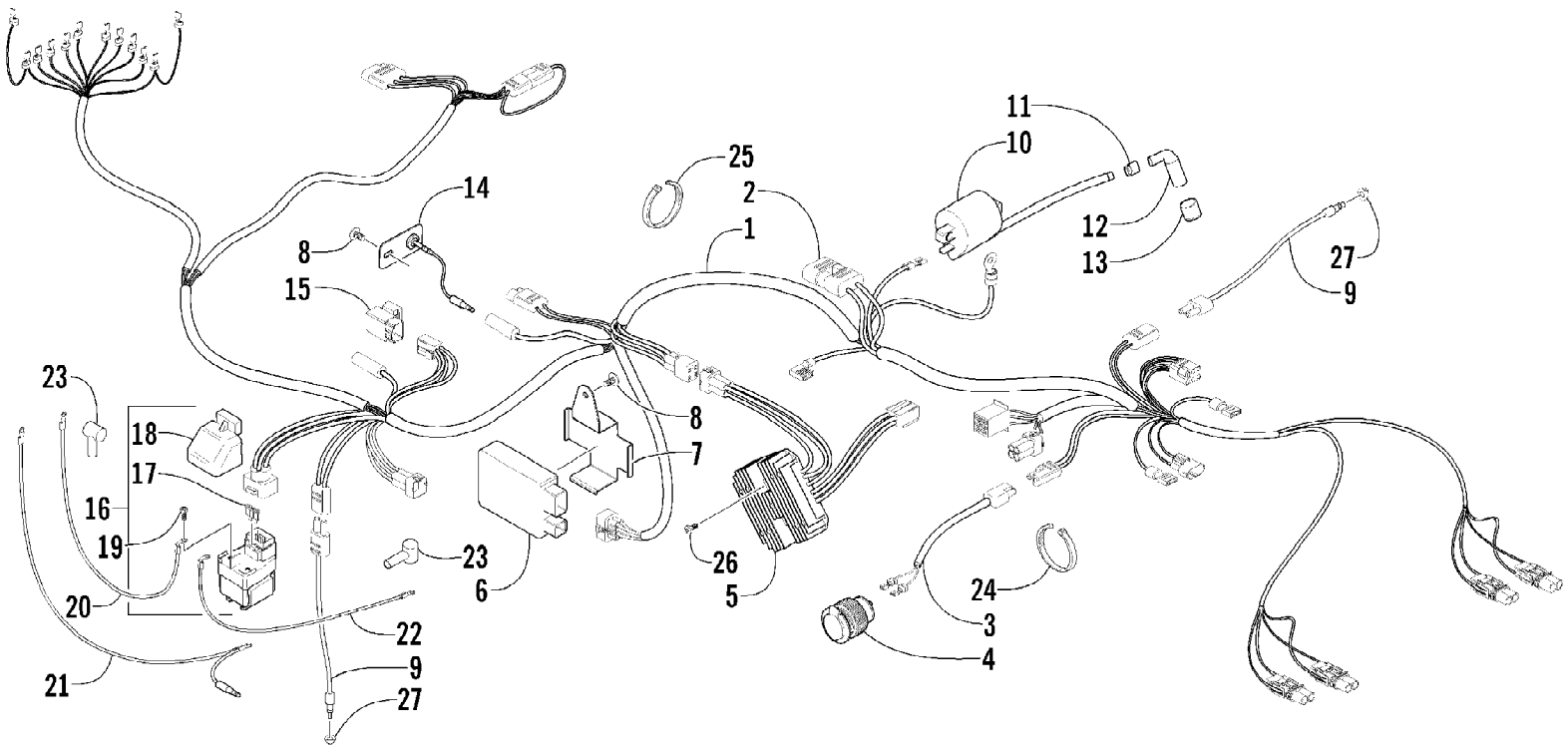
Ref #	Part Number	Qty	S/P/F	Description
1	3402-468	1		Face, Fixed Drive
2	3402-469	1		Face, Movable Drive
3	3402-470	2		Seal, Movable Drive Face
4	3402-471	1		Spacer, Movable Drive Face
5	3402-472	1		Face, Fixed Driven
6	3402-473	1		Face, Movable Driven
7	3402-474	1	/P	Spring, Movable Driven Face
8	3402-475	2		O-Ring, Movable Driven Face
9	3402-476	2		Seal, Movable Driven Face
10	3402-477	4		Pin, Movable Driven Face
11	3402-478	4		Spacer, Movable Driven Face
12	3402-479	1	S	Plate, Movable Drive Face
13	3402-480	1		Sleeve, Movable Driven Face
14	3402-481	4		Damper, Movable Drive Face
15	3423-406	1		Nut, Driven Pulley
16	3402-482	1		Holder, Movable Driven Face Spring
17	3402-483	8		Roller, Movable Drive Face
18	3423-407	2		Nut
19	3402-484	1		V-Belt
20	3402-485	1	S	Housing, Clutch
21	3402-486	1	S	Spacer, Fixed Drive Face
22	3402-487	1	S	Seal, Clutch Housing
23	3402-488	1		Seal, Clutch Housing
24	3446-003	1		Clutch, One Way
25	3446-263	1		Shoe, Clutch - Assembly
26	3446-031	2	/P	Retainer, Bearing
27	3004-552	2	S	Screw, Bearing Retainer
28	3402-489	1		Bearing
29	3402-490	2		Bearing
30	3423-353	1	/P	O-Ring
31	3423-408	1		Washer
32	3423-409	1		Nut
33	3423-410	2		Retainer, Bearing
34	3423-018	4		Screw



Ref #	Part Number	Qty	S/P/F	Description
1	3402-464	1	/P	Pump, Water - Assembly (inc. 2-11)
2	3423-343	1		Screw, Cap
3	3003-188	1	S/P	Gasket
4	3423-402	1		O-Ring
5	3413-014	1		Impeller/Shaft
6	3402-360	1	S	Seal, Mechanical
7	3402-465	1		Seal, Oil
8	3003-615	1	/P	Bearing
9	3423-403	1	S	E-Ring
10	3423-404	1		O-Ring
11	3003-484	2	S/P	Screw
12	3423-308	2	S	Screw, Cap
13	3402-026	1		Gear, Driven
14	3402-466	1		Shaft, Driven Gear
15	3423-046	1		Pin, Driven Gear
16	3423-184	2	S	Circlip, Driven Gear
17	3402-467	1		Bearing, Shaft
18	3423-405	1		Circlip, Shaft Bearing
19	3402-390	1		Gear, Water Pump Drive
20	3423-110	1		Pin, Drive Gear
21	3423-189	1	S	Circlip, Drive Gear



Ref #	Part Number	Qty	S/P/F	Description
1	0402-888	2		Wheel - Front
2	0402-885	2		Wheel - Rear
3	0402-064	4		Stem, Valve (inc. 4)
4	0402-140	4		Cap, Valve Stem
5	0402-890	2		Tire - Front
6	0402-887	2		Tire - Rear
7	0502-258	2	/P	Hub, Wheel - Front
8	0402-874	2	S	Disc, Brake
9	0423-029	8		Screw, Machine
10	0402-181	2		Seal, Hub
11	0423-080	2		Washer
12	0423-346	2		Nut, Hex
13	0123-458	2	/P	Pin, Cotter
14	0423-322	16		Nut, Mounting - Wheel
15	0403-035	2	/P	Cap, Wheel - Center



Ref #	Part Number	Qty	S/P/F	Description
1	0486-078	1		Harness, Main (inc. 2)
2	0486-029	1		Diode (Start In Gear)
3	0486-004	1		Harness, 12V Receptacle
4	0445-022	1	S	Receptacle, 12V
5	3530-028	1	S	Regulator, Voltage
6	3530-032	1	/P	CDI Unit
7	0406-867	1		Bracket, CDI Unit
8	8476-616	2		Screw, Machine
9	0409-009	2		Switch, Brake
10	3530-027	1		Coil, Ignition - Assembly
11	3430-009	1	/P	Seal, High Tension Wire
12	3430-007	1	/P	Cap, Spark Plug
13	3430-008	1	/P	Seal, Spark Plug Cap
14	0586-003	1		Diode Assembly
15	3530-008	1	S	Relay, Neutral Start - Assembly
16	3530-001	1	/P	Relay, Starter Motor - Assembly (inc. 17-18)
17	0630-098	1		Fuse, 30 Amp
18	3530-010	1		Cover, Starter Motor Relay
19	3423-020	2	/P	Screw, Cap
20	0445-003	1	/P	Cable, Battery/Electric Start
21	0445-020	1		Cable, Battery/Ground
22	0445-019	1		Cable, Battery/Electric Start Relay
23	0645-019	2		Boot, Terminal
24	0123-788	AR	/P	Cable Tie - 7 in.
25	0123-903	1		Cable Tie - 11.5 in.
26	8476-620	2		Screw, Machine
27	0402-168	2	/P	Retainer, Brake Switch