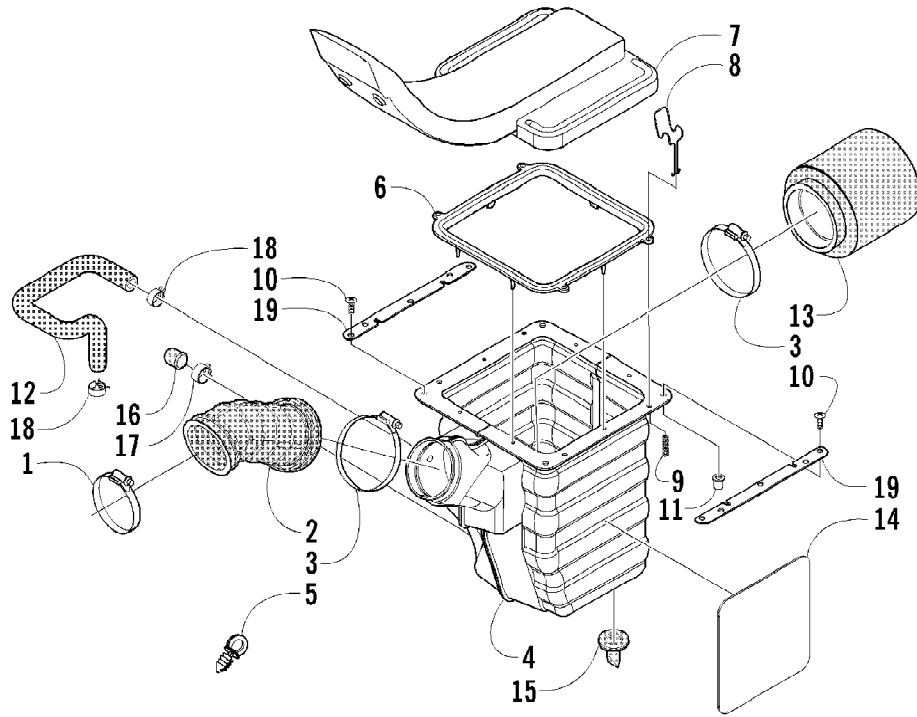


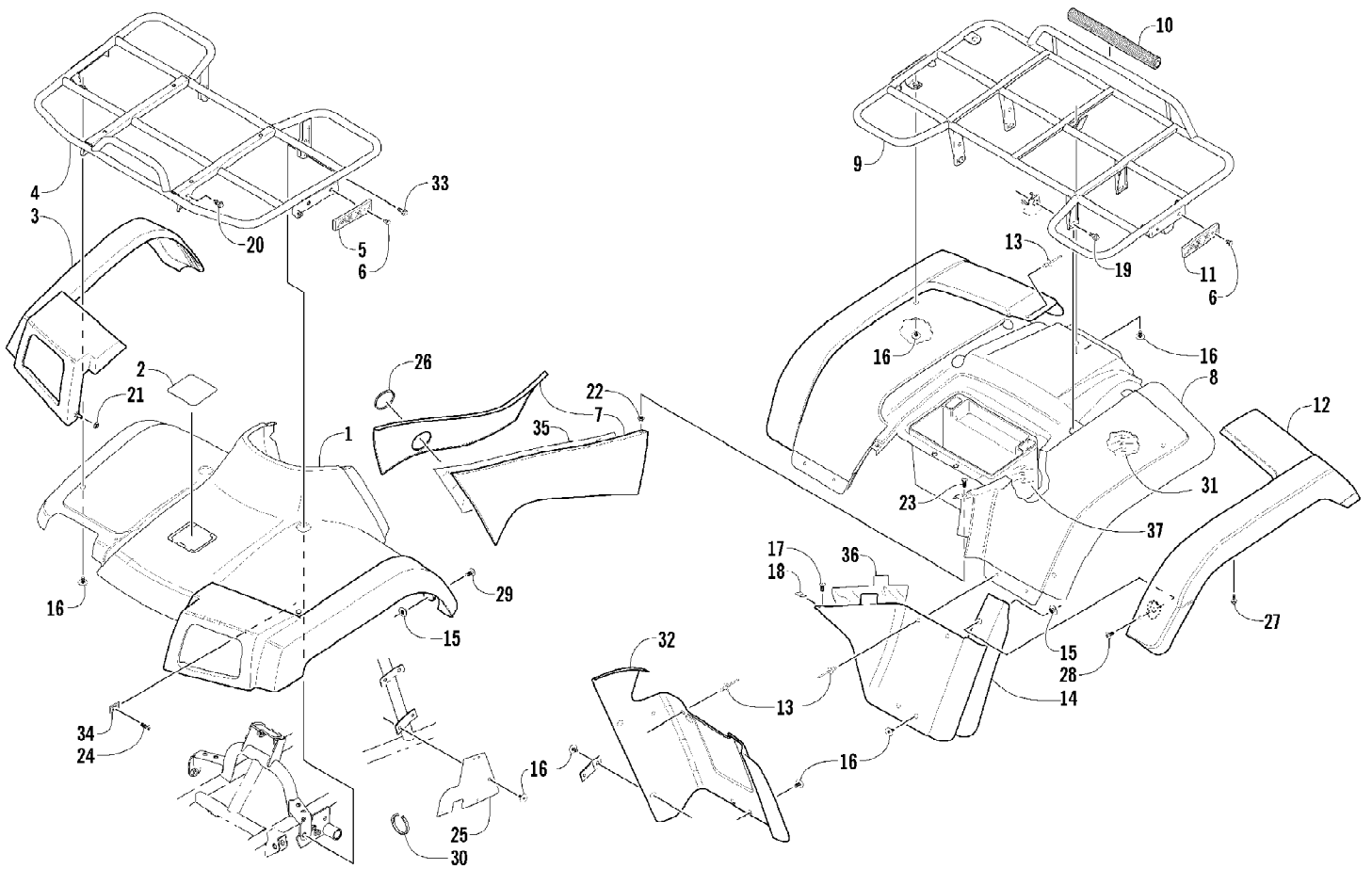
2002 ATV 400/500 MANUAL TRANSMISSION FIS (400 4X4 GREEN) (A2002ISPA130) Page 10 of 100
AIR INTAKE ASSEMBLY



2002 ATV 400/500 MANUAL TRANSMISSION FIS (400 4X4 GREEN) (A2002ISPA123) Page 23 of 100
 AIR INTAKE ASSEMBLY

Ref #	Part Number	Qty	S/P/F	Description
1	0423-019	1		Clamp
2	0470-432	1		Boot, Air Intake
3	0423-018	2		Clamp
4	0470-446	1	/P	Housing, Air Intake
5	0623-101	1		Clip, Retaining
6	0470-343	1		Gasket
7	0470-383	1	/P	Snorkel
8	0470-307	4		Clamp
9	0423-037	4		Spring
10	0623-121	4		Screw, Machine
11	0123-010	4	/P	Nut, Expansion
12	0410-004	1		Hose, Crankcase Vent
13	0470-391	1	/P	Filter, Air
14	0412-141	1		Shield, Heat
15	0470-442	1	/P	Valve, Drain
16	1673-272	1	/P	Cap, Drain Tube
17	0423-047	1		Clamp, Hose
18	0423-045	2		Clamp, Hose
19	0470-351	2		Support, Air Intake Flange

2002 ATV 400/500 MANUAL TRANSMISSION FIS (400 4X4 GREEN) (A2002ISPA) Page 33 of 100
BODY PANEL ASSEMBLY

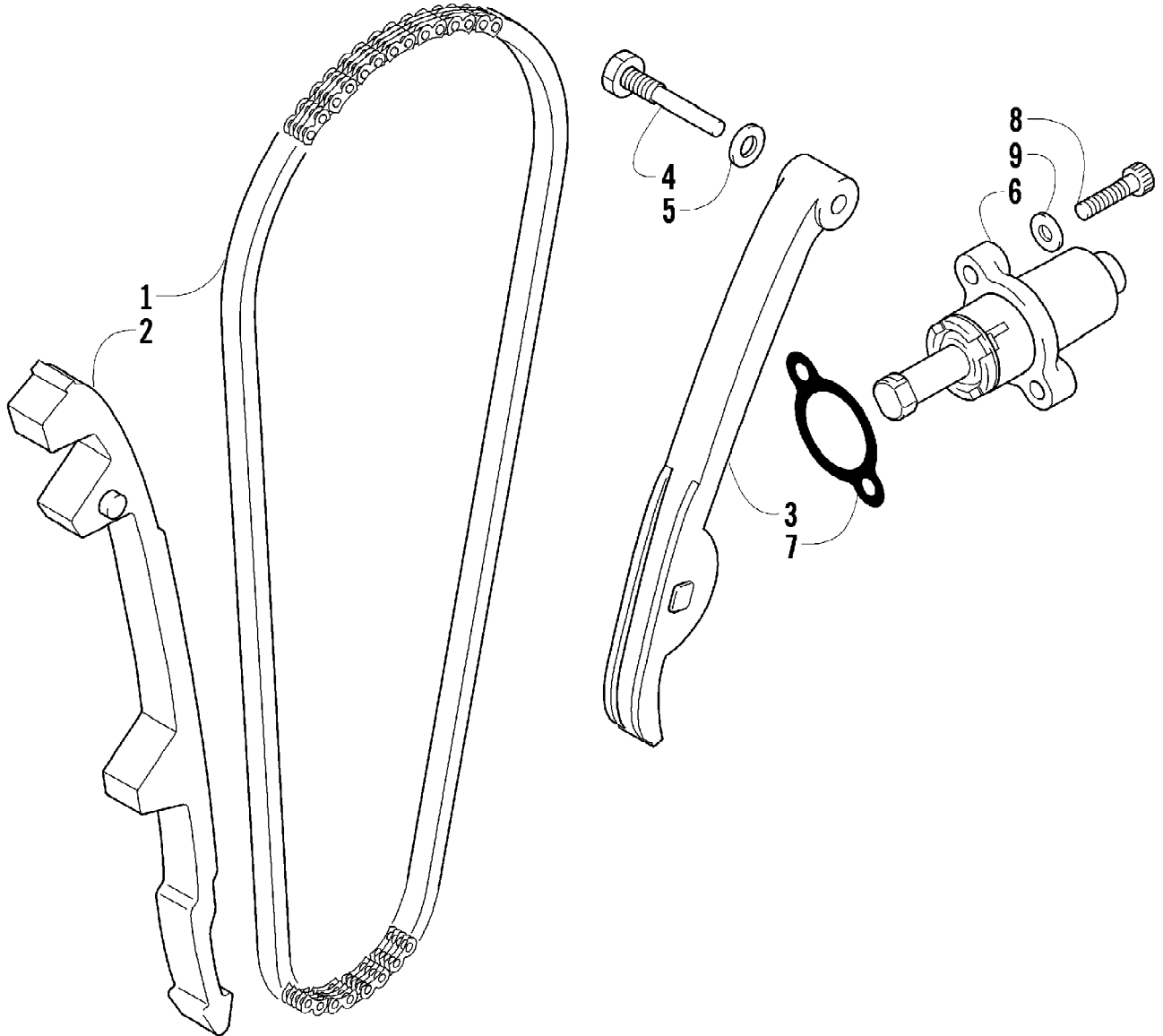


2002 ATV 400/500 MANUAL TRANSMISSION FIS (400 4X4 GREEN) (A2002ISPA13G) Page 10 of 100
BODY PANEL ASSEMBLY

Ref #	Part Number	Qty	S/P/F	Description
1	0506-605	1		Panel, Fender - Front (inc. 2) (Red)
1	0506-604	1		Panel, Fender - Front (inc. 2) (Green)
1	0506-616	1		Panel, Fender - Front (inc. 2) (4x4) (Red)
1	0506-584	1		Panel, Fender - Front (inc. 2) (4x4) (Green)
2	0406-244	1	S/P	Cover, Access (4x4) (Red)
2	0406-975	1	S	Cover, Access (4x4) (Green)
3	0506-550	1		Flare - Front Right (4x4)
3	0506-551	1		Flare - Front Left (4x4)
4	0506-718	1		Rack - Front
4	0506-547	1		Rack - Front (4x4)
5	0606-526	2		Reflector, Front - Amber
6	0623-269	8		Clip, Retaining
7	0506-548	1		Panel, Side - Right (Red)
7	0506-243	1		Panel, Side - Left (Red)
7	0506-549	1		Panel, Side - Right (Green)
7	0506-673	1		Panel, Side - Left (Green)
8	0506-618	1		Panel, Fender - Rear (Red)
8	0506-634	1		Panel, Fender - Rear (Green)
8	0506-620	1	S	Panel, Fender - Rear (4x4) (Red)
8	0506-621	1		Panel, Fender - Rear (4x4) (Green)
9	0506-608	1	S	Rack - Rear
10	0406-293	1		Wrap, Tube - Rear Rack
11	0606-029	2		Reflector, Rear - Red
12	0506-552	1		Flare, Rear - Right (4x4)
12	0506-553	1		Flare, Rear - Left (4x4)
13	0423-046	AR		Rivet, Plastic
14	0406-084	1		Fender Extension - Rear - Right
14	0406-085	1		Fender Extension - Rear - Left
15	0423-077	4	/P	T-Nut w/Teeth
16	0423-101	AR		Screw, Body
17	0623-309	2		Screw, Self-Tapping
18	0423-060	2		Clip, Tinnerman
19	8409-020	4	/P	Screw, Cap
20	0423-360	2		Screw, Cap
21	0423-357	2		Nut, Stamped (4x4)
22	0123-010	2	/P	Nut, Expansion
23	0423-068	2		Screw, Machine
24	8477-616	2		Screw, Machine
25	1406-006	2		Panel, Fender - Inner
26	0470-404	1		Grommet, Fuel Shut-Off Valve
27	0423-342	12	/P	Screw, Self-Tapping (4x4)
28	8477-616	2		Screw, Machine
28	0423-355	2		Screw, Shoulder (4x4)
29	8477-616	2		Screw, Machine
29	0423-356	2		Screw, Shoulder (4x4)
30	0123-788	AR	/P	Cable Tie - 7.5 in.
31	0412-124	1		Shield, Heat
32	0406-140	1	/P	Panel, Kick - Right
32	0506-628	1		Panel, Kick - Left
32	0406-941	1	/P	Panel, Kick - Right (4x4)
32	0506-626	1		Panel, Kick - Left (4x4)
33	8408-816	2		Screw, Cap
34	0423-031	2		Nut, Screen

2002 ATV 400/500 MANUAL TRANSMISSION FIS (400 4X4 GREEN) (A2002ISPA150) Page 5 of 100
BODY PANEL ASSEMBLY

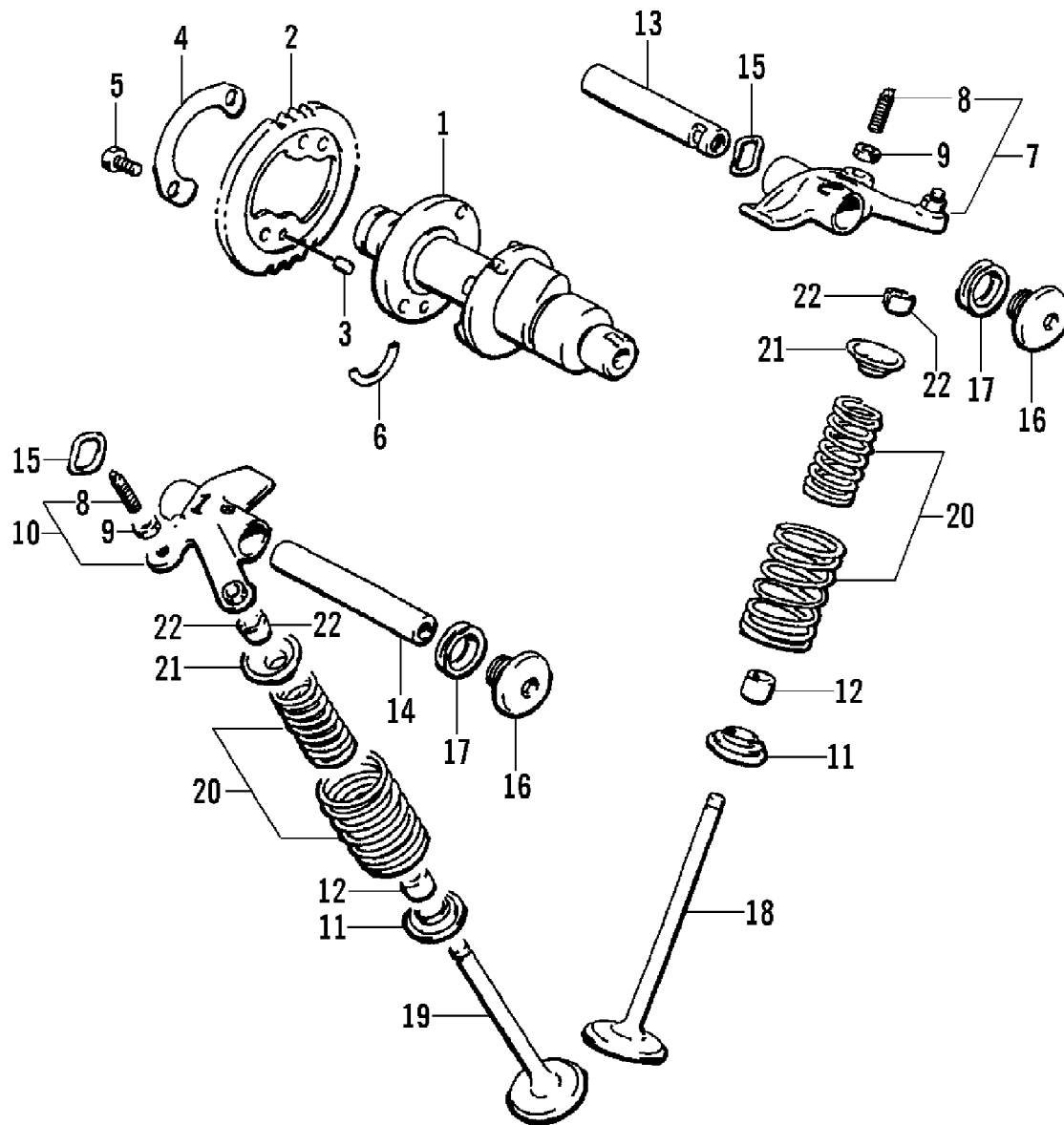
Ref #	Part Number	Qty	S/P/F	Description
35	0412-142	1		Shield, Heat
36	0412-140	1		Shield, Heat
37	0412-147	1		Shield, Heat



2002 ATV 400/500 MANUAL TRANSMISSION FIS (400 4X4 GREEN) (A2002ISPA150) Page 7 of 100
 CAM CHAIN ASSEMBLY

Ref #	Part Number	Qty	S/P/F	Description
1	3402-133	1		Chain, Cam
1	3402-353	1		Chain, Cam (500)
2	3402-134	1		Guide, Chain
2	3402-355	1		Guide, Chain (500)
3	3402-135	1		Tensioner, Chain
3	3402-356	1		Tensioner, Chain (500)
4	3423-074	1		Bolt
5	3003-188	1	S/P	Washer
6	3402-136	1		Adjuster, Tensioner - Assembly
7	3402-137	1		Gasket
8	3004-475	2	S	Screw, Cap
9	3003-290	2	/P	Gasket

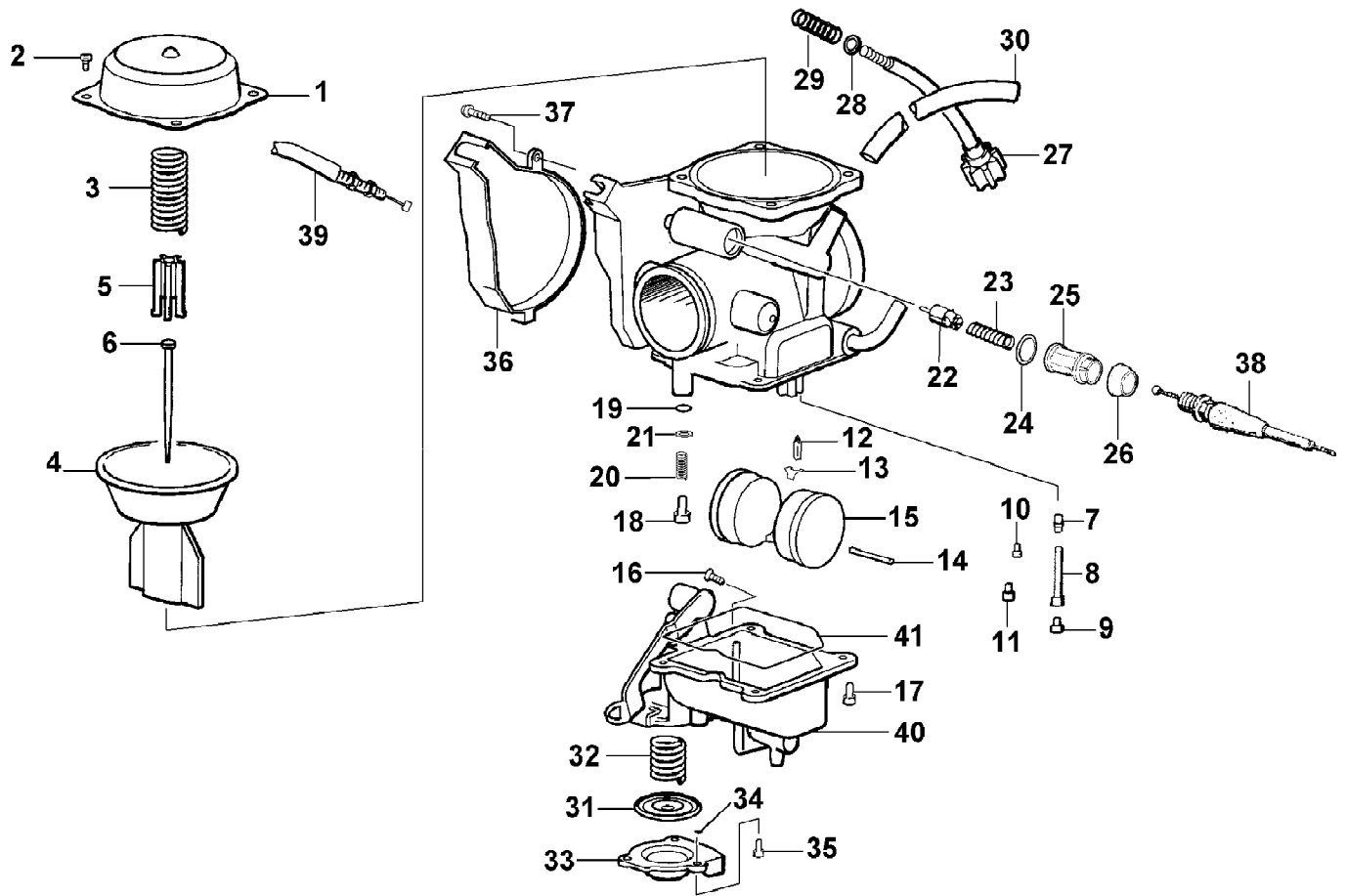
2002 ATV 400/500 MANUAL TRANSMISSION FIS (400 4X4 GREEN) (A2002ISPA153) of 100
CAMSHAFT/VALVE ASSEMBLY



2002 ATV 400/500 MANUAL TRANSMISSION FIS (400 4X4 GREEN) (A2002ISPA150) Page 30 of 100
 CAMSHAFT/VALVE ASSEMBLY

Ref #	Part Number	Qty	S/P/F	Description
1	3402-027	1	S	Camshaft
2	3402-131	1		Sprocket
2	3402-352	1		Sprocket (500)
3	3423-047	1		Pin
4	3423-073	1		Washer
5	3423-013	2	S	Screw, Cap
6	3423-071	1	/P	C-Ring
7	3402-138	1	S	Arm, Valve Rocker - Intake (inc. 8-9)
8	3423-075	4		Screw, Cap
9	3423-076	4		Nut
10	3402-139	1		Arm, Valve Rocker - Exhaust (inc. 8-9)
11	3402-148	4		Seat, Spring
12	3402-078	4		Seal, Oil
13	3402-140	1		Shaft, Rocker Arm
14	3402-141	1		Shaft, Rocker Arm
15	3423-031	2		Washer
16	3402-040	2	/P	Plug, Shaft
17	3402-012	2		Gasket
18	3402-142	2	S	Valve, Intake
19	3402-143	2		Valve, Exhaust
20	3402-144	4		Spring, Valve - Set
21	3402-146	4	S	Retainer, Spring
22	3402-147	8		Cotter, Valve

2002 ATV 400/500 MANUAL TRANSMISSION FIS (400 4X4 GREEN) (A20021844USG) of 100
CARBURETOR



2002 ATV 400/500 MANUAL TRANSMISSION FIS (400 4X4 GREEN) (A2002184) (US) of 100
CARBURETOR

Page 13 of 100

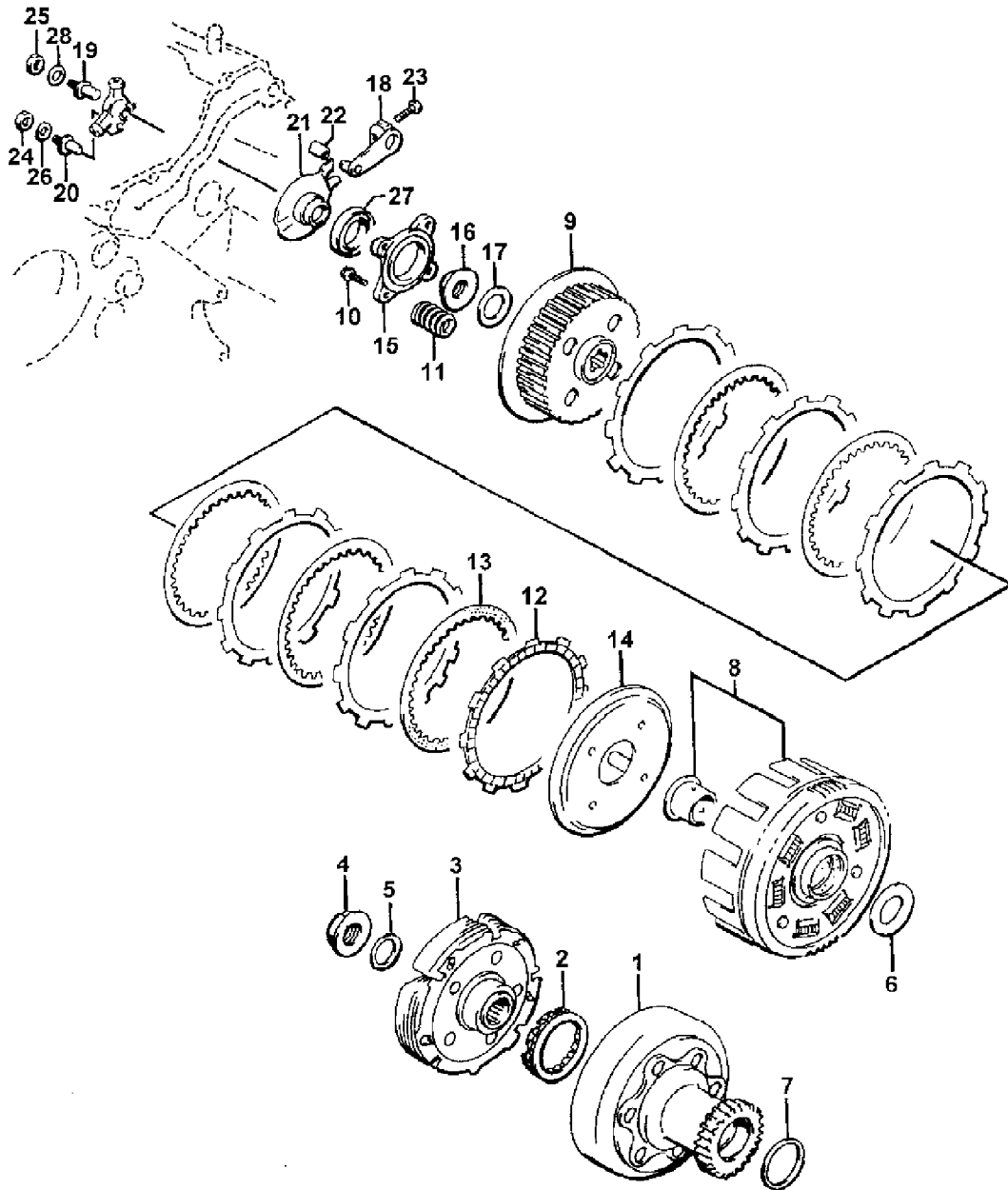
Page 13 of 100

Ref #	Part Number	Qty	S/P/F	Description
	0470-389	1		Complete Assembly
	0470-449	1	/P	Complete Assembly - 500
1	5507-001	1		Cover, Top
2	5507-002	4	/P	Screw, Top Cover
3	5507-052	1		Spring
3	5507-085	1	S	Spring (500)
4	5507-004	1	/P	Piston, Vacuum
5	5507-005	1		Spring, Seat
5	5507-054	1		Spring, Seat (500)
6	5507-091	1		Jet Needle
6	5507-006	1		Jet Needle (500)
7	5507-007	1		Needle Jet
8	5507-047	1	/P	Holder, Needle Jet
9	5507-044	1		Main Jet - 140
9	5507-086	1		Main Jet - 148 (500)
9	5507-009	1	/P/F	Main Jet - 150
9	5507-041	1	F	Main Jet - 147
9	5507-043	1	F	Main Jet - 142
10	5507-010	1	S	Slow Jet - 38
11	5507-092	1		Starter Jet - 90
11	5507-011	1		Starter Jet - 102 (500)
12	5507-038	1		Valve, Float - Set (inc. 13)
13	0	1	F	Clip
14	0	1	F	Pin, Float
15	5507-039	1		Float Set (inc. 14)
16	5507-050	1	/P	Screw, Drain
17	5507-089	4	S	Screw
18	5507-040	1		Screw, Pilot Air - Set (inc. 19-21)
19	0	1	F	O-Ring
20	0	1	F	Spring
21	0	1	F	Washer
22	5507-022	1		Valve, Starter
23	5507-023	1		Spring
24	5507-024	1		O-Ring
25	5507-025	1		Cap
26	5507-026	1		Cap, Rubber
27	5507-027	1		Screw, Idle Adjust
28	5507-028	1		Washer
29	5507-029	1		Spring
30	5507-030	1	/P	Tube, Vinyl
30	5507-084	1	S	Tube, Vinyl (500)
31	5507-031	1	S	Diaphragm Assembly
32	5507-032	1		Spring
33	0	1	F	Housing, Pump
34	5507-034	1		U-Ring
35	5507-035	3		Screw
36	5507-036	1		Cover
37	5507-037	1	/P	Screw
38	0487-016	1		Cable, Choke
39	0487-021	1	S	Cable, Throttle
40	5507-065	1		Chamber, Float - Assembly (inc. 16, 31-35, and 41)

2002 ATV 400/500 MANUAL TRANSMISSION FIS (400 4X4 GREEN) (A2002IB4USG) Page 2 of 100
CARBURETOR

Ref #	Part Number	Qty	S/P/F	Description
41	5507-067	1	/P	O-Ring, Float Chamber

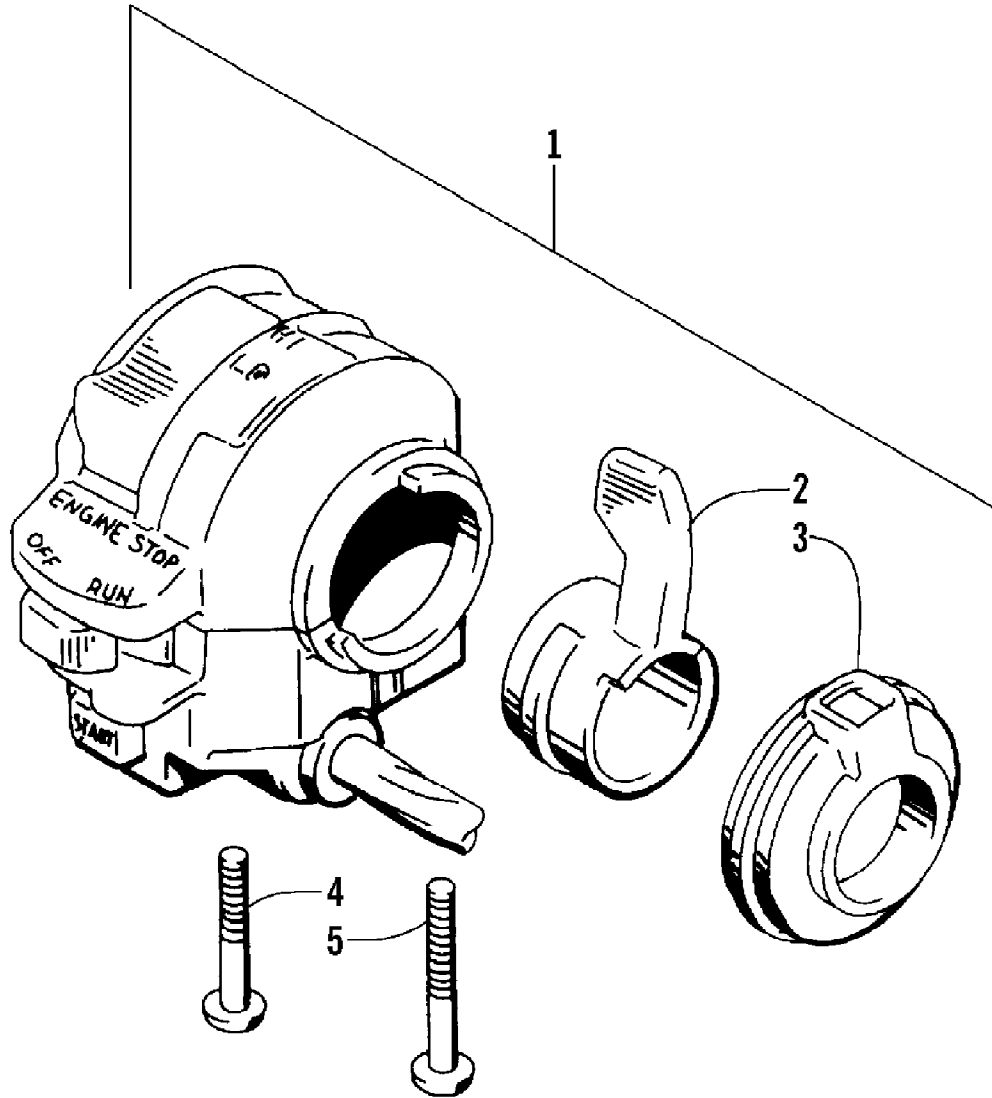
2002 ATV 400/500 MANUAL TRANSMISSION FIS (400 4X4 GREEN) (A20021846 US) Page 100 of 100
CLUTCH ASSEMBLY



2002 ATV 400/500 MANUAL TRANSMISSION FIS (400 4X4 GREEN) (A2002IB400USG) Page 10 of 100
CLUTCH ASSEMBLY

Ref #	Part Number	Qty	S/P/F	Description
1	3446-001	1	S	Housing, Starter Clutch
1	3446-232	1		Housing, Starter Clutch (500)
2	3446-003	1		Clutch, Primary Drive One Way
3	3446-227	1		Shoe, Starter Clutch
3	3446-233	1		Shoe, Starter Clutch (500)
4	3423-081	1		Nut, Starter Clutch Shoe
5	3423-032	1		Washer, Starter Clutch Shoe
6	3423-122	1		Washer, Primary Driven
7	3423-186	1		Washer, Primary Driven
7	3423-350	1		Washer, Primary Driven (500)
8	3446-002	1		Gear, Primary Driven - Assembly
9	3446-213	1		Hub, Clutch Sleeve
9	3446-004	1		Hub, Clutch Sleeve (500)
10	3423-330	4		Screw, Cap - Clutch Spring
11	3446-005	4		Spring, Clutch
12	3446-006	5		Plate, Clutch Drive
12	3446-006	6		Plate, Clutch Drive (500)
13	3446-226	4		Plate, Clutch Driven
13	3446-007	5		Plate, Clutch Driven (500)
14	3446-008	1		Disc, Clutch Pressure
15	3446-009	1		Plate, Clutch Release
16	3423-080	1		Nut, Clutch Sleeve Hub
17	3423-032	1		Washer, Clutch Sleeve Hub
18	3446-011	1		Arm, Clutch Release
19	3423-333	1		Bolt, Clutch Release (No. 1)
19	3423-361	1		Bolt, Clutch Release (No. 1) (400 4x4)
20	3423-083	1		Bolt, Clutch Release (No. 2)
21	3446-214	1		Guide, Release Roller
22	3446-013	1	S	Roller, Clutch Release - Assembly
23	3423-125	1	S	Bolt, Clutch Release Arm
24	3008-014	1		Nut, Clutch Release (No. 2)
25	3423-022	1		Nut, Clutch Release (No. 1)
25	3423-359	1		Nut, Clutch Release (No. 1) (400 4x4)
26	3423-027	1		Washer, Clutch Release (No. 2)
27	3402-186	1	/P	Bearing, Clutch Release Plate
28	3423-204	1	/P	Washer, Clutch Release (No. 1)
28	3423-360	1		Washer, Clutch Release (No. 1) (400 4x4)

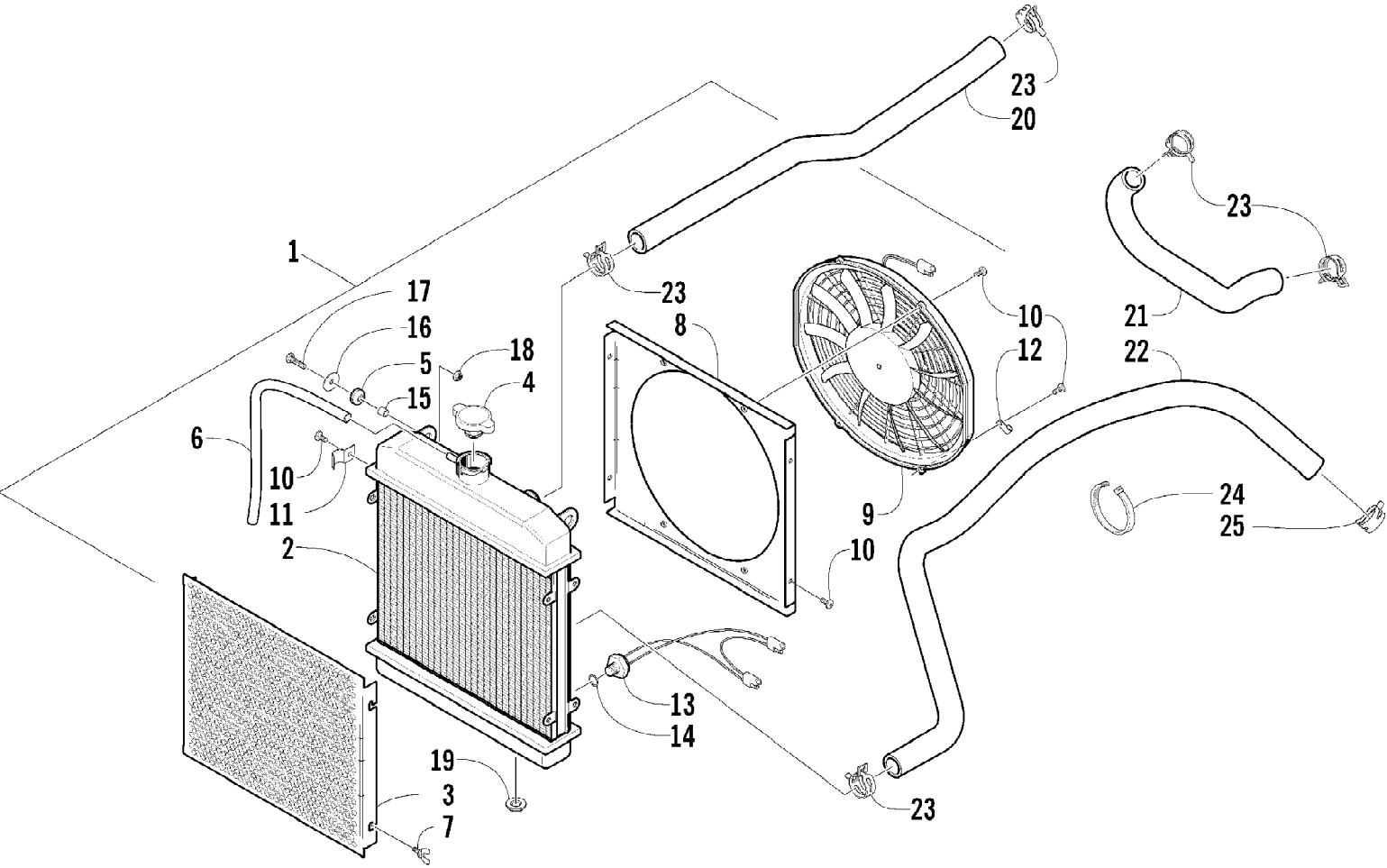
2002 ATV 400/500 MANUAL TRANSMISSION FIS (400 4X4 GREEN) (A2002184) (USA) of 100
CONTROL SWITCH HOUSING ASSEMBLY



2002 ATV 400/500 MANUAL TRANSMISSION FIS (400 4X4 GREEN) (A20021844USG) Page 15 of 100
 CONTROL SWITCH HOUSING ASSEMBLY

Ref #	Part Number	Qty	S/P/F	Description
1	3509-001	1	S	Switch, Control - Assembly (inc. 2-5)
2	3409-009	1		Lever, Choke
3	3409-010	1		Cover, Choke Lever
4	3423-196	1		Screw, Cap
5	3423-197	1		Screw

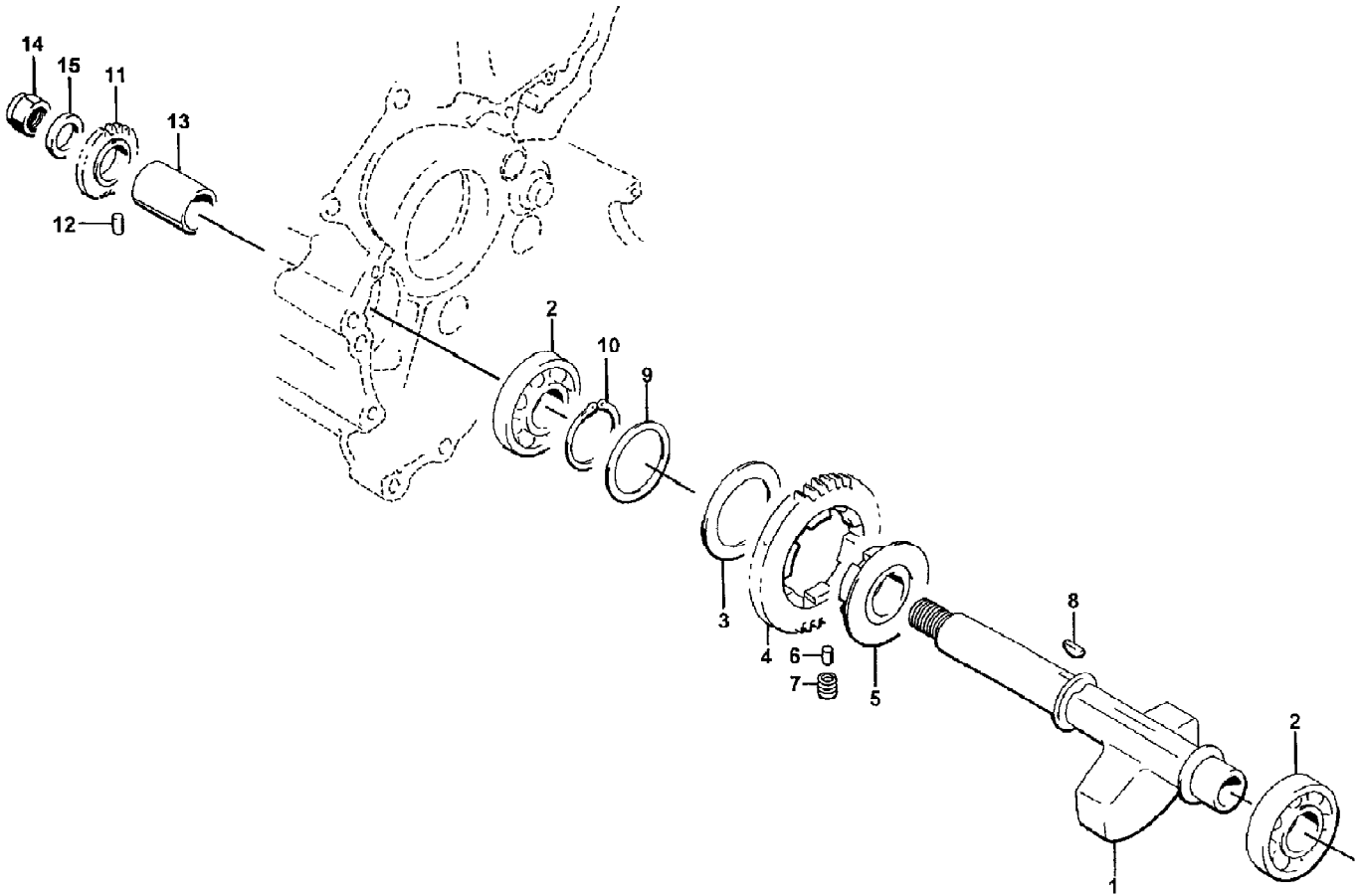
2002 ATV 400/500 MANUAL TRANSMISSION FIS (400 4X4 GREEN) (A2002184) (USA) of 100
COOLING ASSEMBLY



2002 ATV 400/500 MANUAL TRANSMISSION FIS (400 4X4 GREEN) (A2002IB4USG) Page 100 of 100
 COOLING ASSEMBLY

Ref #	Part Number	Qty	S/P/F	Description
1	0413-038	1		Radiator Assembly (inc. 2-15)
2	0	1	F	Radiator
3	0413-007	1		Screen, Radiator
4	0413-002	1	S	Cap, Radiator
5	0423-030	2		Grommet
6	0610-016	AR	/P	Hose - 25 ft
7	0413-009	4		Screw, Thumb
8	0413-046	2		Shroud, Fan
9	0413-044	1	S	Fan, Cooling
10	8475-512	8		Screw, Machine
11	0423-351	1		Clamp, Wire
12	0123-397	1		Clamp, Cable
13	0413-045	1		Sender, Temperature - Coolant
14	0423-390	1	S	O-Ring
15	0423-036	2		Collar
16	0623-184	2		Washer
17	8476-625	2		Screw, Cap
18	0623-038	2		Nut w/Washer
19	0423-028	2		Bushing, Stem
20	0410-002	1		Hose, Coolant - Upper
21	0410-003	1		Hose, Coolant - Crossover
22	0410-042	1		Hose, Coolant - Lower
23	0423-070	5		Clamp, Hose
24	0123-788	AR	/P	Cable Tie - 7 in.
25	0423-070	1		Clamp, Hose
25	0623-736	1		Clamp, Hose (500)

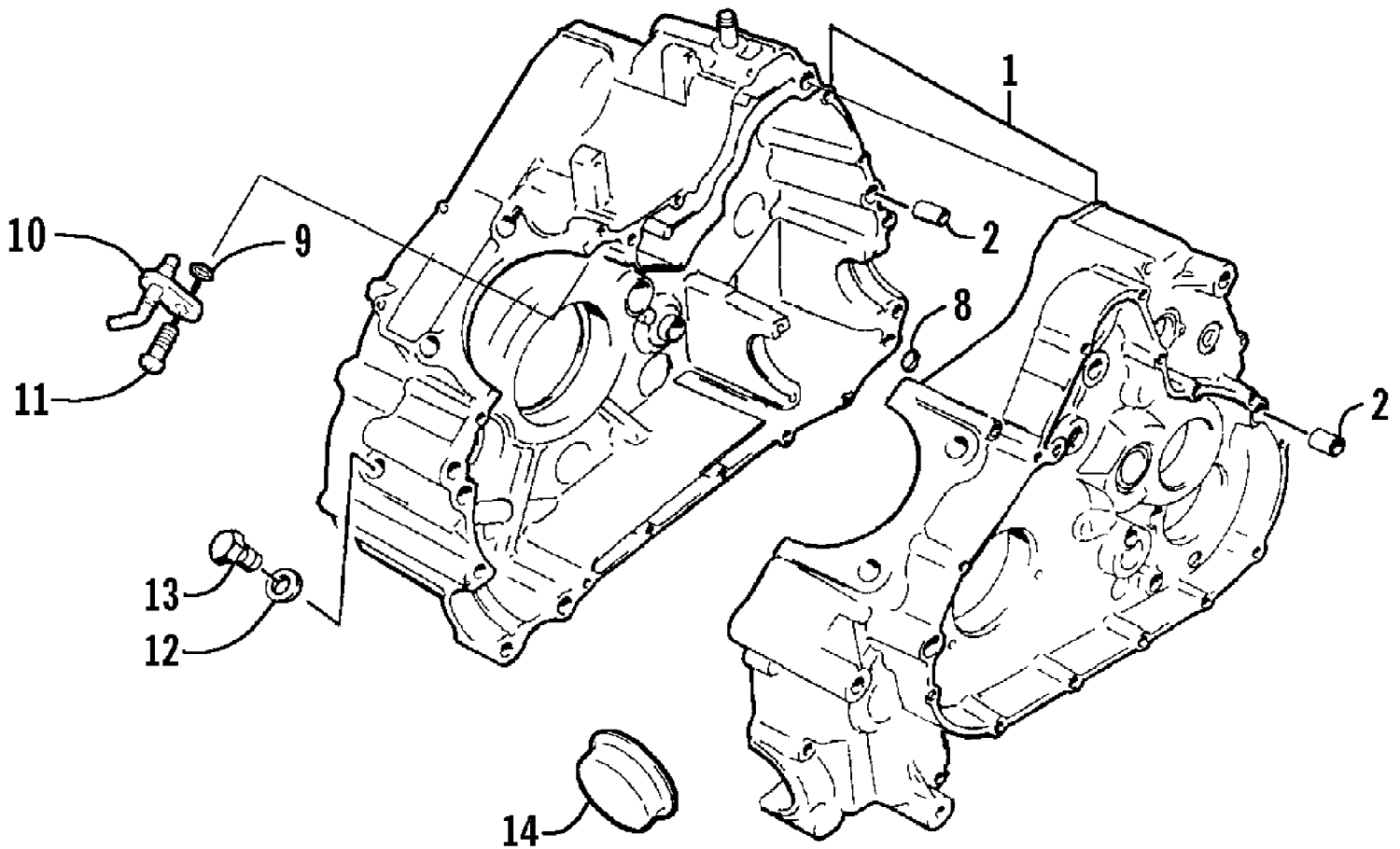
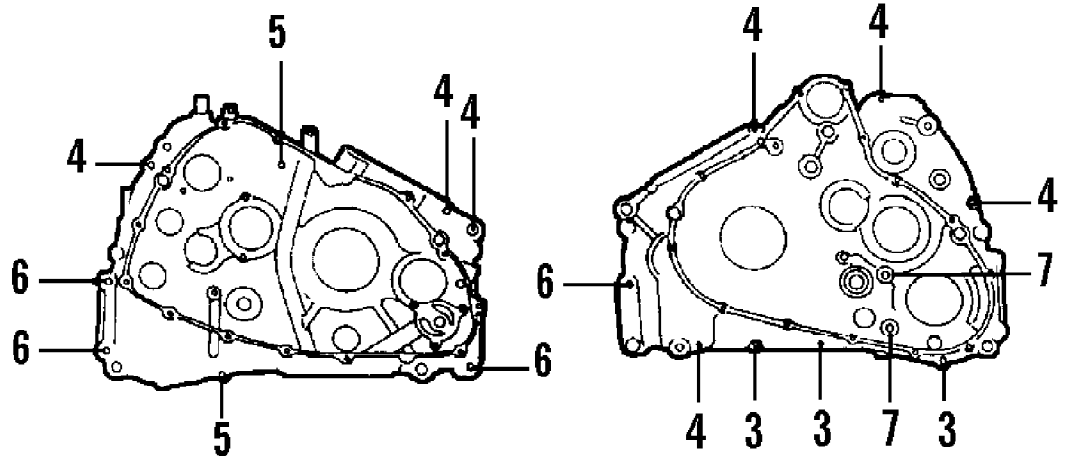
2002 ATV 400/500 MANUAL TRANSMISSION FIS (400 4X4 GREEN) (A20021844USG) Page 10 of 100
CRANK BALANCER ASSEMBLY



2002 ATV 400/500 MANUAL TRANSMISSION FIS (400 4X4 GREEN) (A2002184) (US) Page 15 of 100
CRANK BALANCER ASSEMBLY

Ref #	Part Number	Qty	S/P/F	Description
1	3402-345	1		Balancer, Crank
1	3402-350	1		Balancer, Crank (500)
2	3402-050	2		Bearing
3	3423-033	1		Washer
4	3402-128	1		Gear, Driven
4	3402-351	1		Gear, Driven (500)
5	3402-129	1		Race, Driven Gear - Inner
6	3423-106	3	/P	Pin
7	3402-090	6		Spring
8	3004-540	1	/P	Key
9	3423-107	1		Washer
10	3423-200	1	/P	Circlip
11	3402-150	1		Gear, Oil Pump Drive
11	3402-390	1		Gear, Oil Pump Drive (400 4x4)
12	3423-114	1	/P	Pin
13	3402-151	1		Spacer
14	3423-025	1		Nut, Lock
15	3423-029	1		Washer

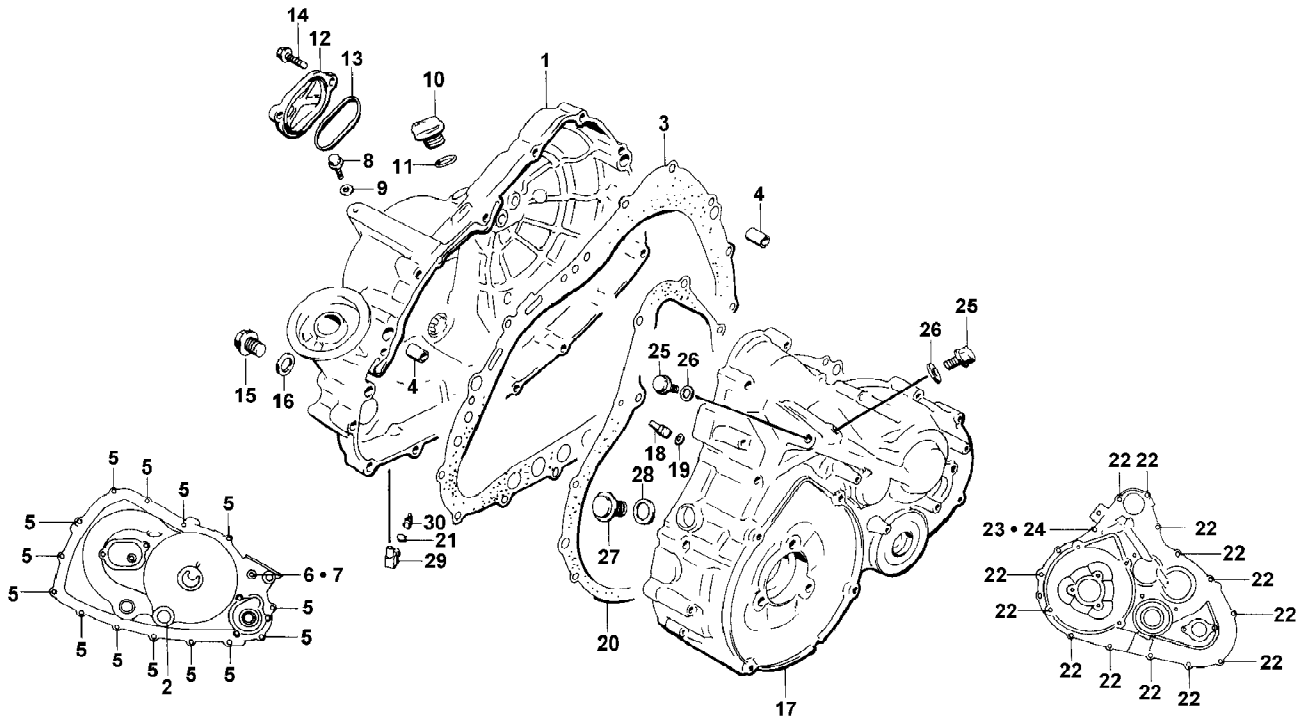
2002 ATV 400/500 MANUAL TRANSMISSION FIS (400 4X4 GREEN) (A2002184) (Page 13 of 100)
CRANKCASE ASSEMBLY



2002 ATV 400/500 MANUAL TRANSMISSION FIS (400 4X4 GREEN) (A20021844) Page 12 of 100
CRANKCASE ASSEMBLY

Ref #	Part Number	Qty	S/P/F	Description
1	3402-337	1		Crankcase Set (inc. 2-8)
1	3402-388	1	/P	Crankcase Set (inc. 2-8) (400 4x4)
1	3402-366	1	S	Crankcase Set (inc. 2-11) (500)
2	3423-088	4		Pin, Dowel
3	3423-091	3	S	Screw, Cap
4	3423-092	7	S	Screw, Cap
5	3423-094	2		Screw, Cap
6	0693-303	4	S	Screw, Cap
7	3423-093	2		Screw, Cap
8	3423-052	1		O-Ring
9	3423-051	1		O-Ring (500)
10	3402-369	1		Jet, Piston Cooling (500)
11	3004-552	1	S	Screw (500)
12	3402-011	1		Gasket
13	3423-095	1		Plug, Oil Gallery
14	3423-208	1		Plug (2x4)

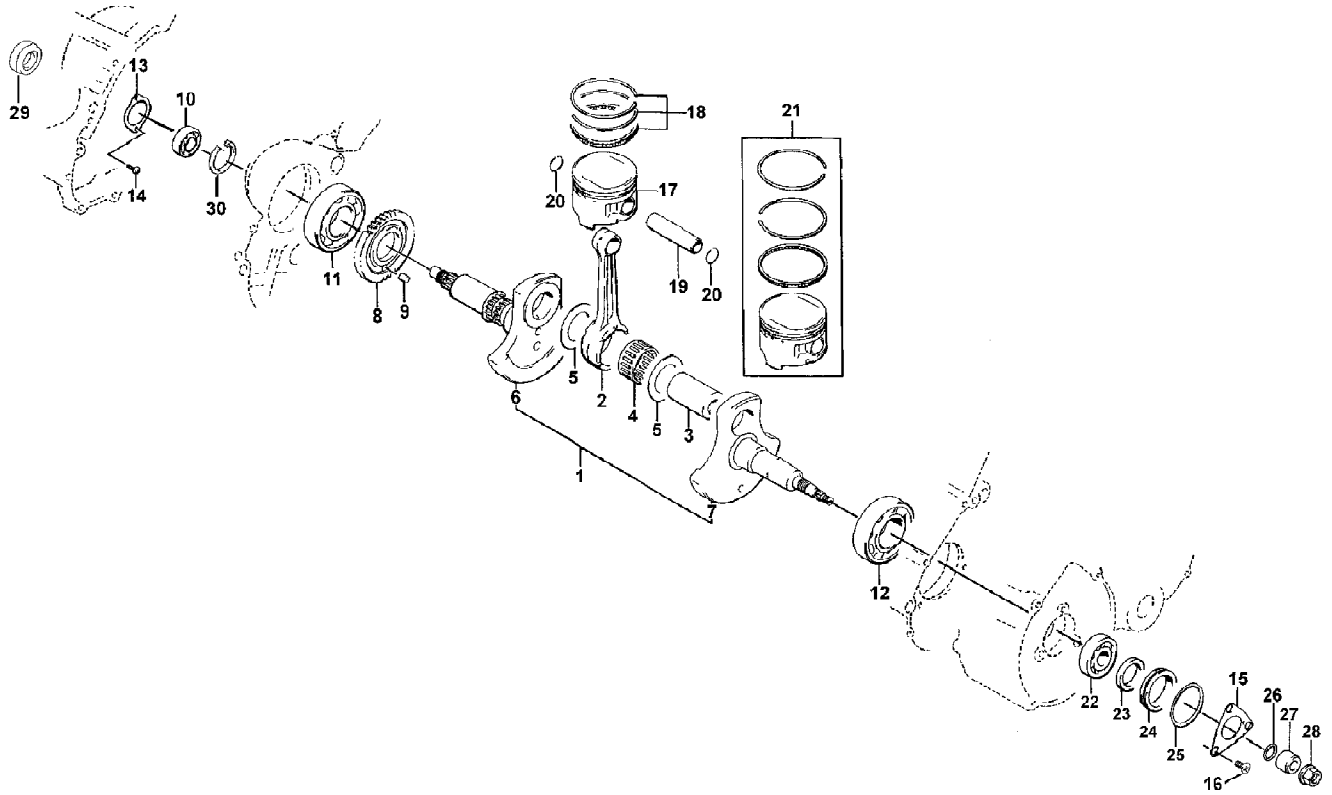
2002 ATV 400/500 MANUAL TRANSMISSION FIS (400 4X4 GREEN) (A2002184) (USA) Page 13 of 100
CRANKCASE COVER ASSEMBLY



2002 ATV 400/500 MANUAL TRANSMISSION FIS (400 4X4 GREEN) (A20021844) Page 2 of 100
CRANKCASE COVER ASSEMBLY

Ref #	Part Number	Qty	S/P/F	Description
1	3402-199	1	/P	Cover, Clutch (inc. 2)
1	3402-367	1		Cover, Clutch (inc. 2) (500)
2	3402-112	1	/P	Lens, Oil Inspection
3	3402-108	1		Gasket
4	3423-088	4		Pin, Dowel
5	0693-327	14	S	Screw, Cap
6	3423-097	1		Screw, Cap
7	3003-290	1	/P	Gasket
8	3004-339	1	S/P	Plug, Oil Gallery
9	3003-290	1	/P	Gasket
10	3402-042	1		Cap, Engine Oil Filler
11	3423-055	1		O-Ring
12	3402-100	1		Cap, Inspection
12	3402-363	1		Cap, Inspection (500)
13	3402-101	1		O-Ring
14	3423-096	2	S	Screw, Cap
15	3402-037	1		Plug, Oil Pressure
15	3402-214	1		Plug, Oil Pressure (500)
16	3402-012	1		Gasket
17	3402-106	1		Cover Set, Transfer (inc. 18-19)
17	3402-368	1		Cover Set, Transfer (inc. 18-19) (500)
18	3402-097	1		Jet, Oil Mission
19	3423-051	1		O-Ring
20	3402-109	1	S	Gasket
21	3423-120	1		Clip
22	3423-098	13	S	Screw, Cap
23	3423-092	1	S	Screw, Cap
24	3003-290	1	/P	Gasket
25	3004-705	2	S	Plug, Oil Gallery
25	3423-348	2		Plug, Oil Gallery (500)
26	3005-242	2		Gasket
27	3402-041	1	S	Plug
28	3402-013	1	/P	Gasket
29	3413-009	1		Union, Water Drain
30	3413-008	1		Hose

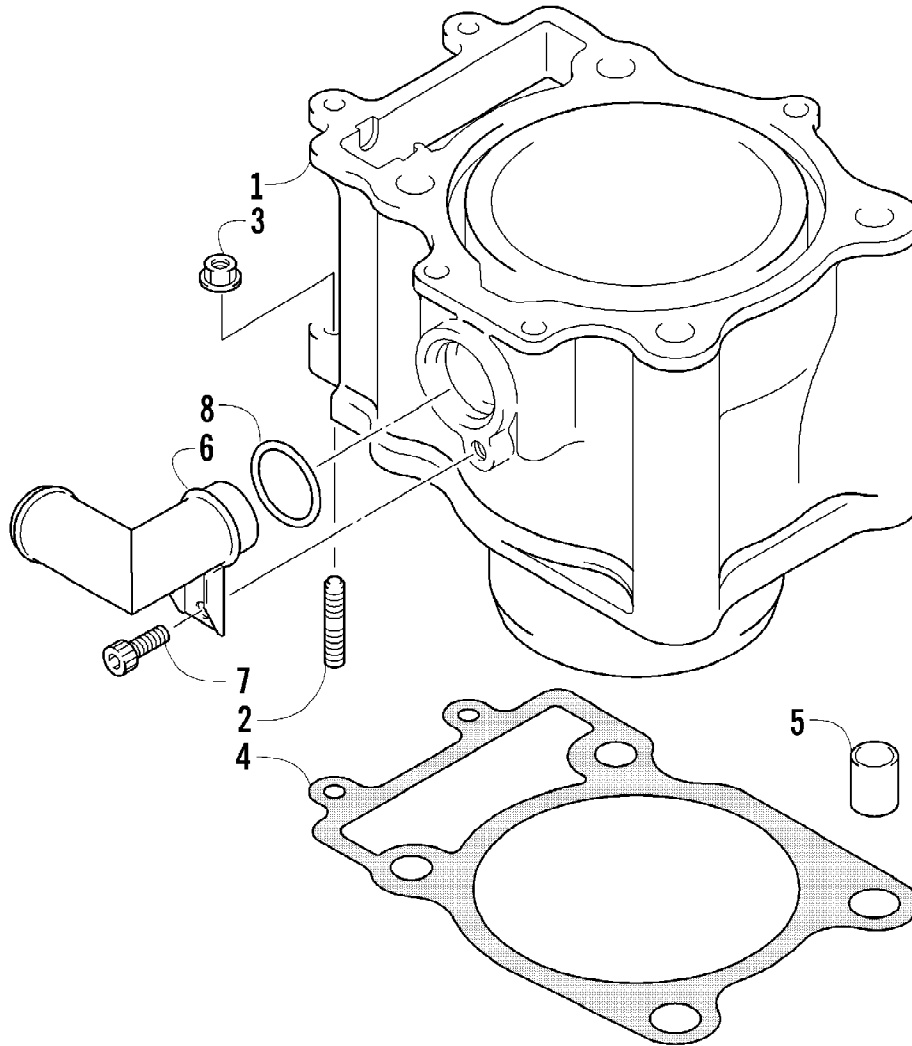
2002 ATV 400/500 MANUAL TRANSMISSION FIS (400 4X4 GREEN) (A20021846 USG) of 100
CRANKSHAFT ASSEMBLY



2002 ATV 400/500 MANUAL TRANSMISSION FIS (400 4X4 GREEN) (A2002IB400) Page 15 of 100
CRANKSHAFT ASSEMBLY

Ref #	Part Number	Qty	S/P/F	Description
1	3402-339	1		Crankshaft Assembly (inc. 2-9)
1	3402-372	1		Crankshaft Assembly (inc. 2-9) (500)
2	3402-341	1		Rod, Connecting
2	3402-376	1		Rod, Connecting (500)
3	3402-116	1		Pin, Crank
3	3402-377	1		Pin, Crank (500)
4	3402-064	1		Bearing
4	3402-386	1	S	Bearing (500)
5	3423-030	2		Washer
5	3423-351	2		Washer (500)
6	3402-342	1		Crankshaft Set - Right (inc. 8-9)
6	3402-378	1		Crankshaft Set - Right (inc. 8-9) (500)
7	3402-343	1		Crankshaft - Left
7	3402-379	1		Crankshaft - Left (500)
8	0	1	F	Gear, Balancer Drive
9	0	1	F	Pin
10	3402-044	1		Bearing - Right
10	3402-384	1		Bearing - Right (500)
11	3402-058	1		Bearing - Center
12	3402-054	1		Bearing - Left
13	3402-120	1		Retainer, Bearing - Right
13	3423-355	1		Retainer, Bearing - Right (500)
14	3423-017	2		Screw, Cap (400)
15	3402-188	1	/P	Retainer, Oil Seal - Left
16	3423-018	3		Screw, Cap
17	3402-340	1		Piston
17	3402-373	1		Piston (500)
18	3402-114	1		Ring Set, Piston
18	3402-374	1		Ring Set, Piston (500)
18	3436-009	1	/P/F	Ring Set, Piston (Oversized 0.50 mm) (400)
18	3436-010	1	/P/F	Ring Set, Piston (Oversized 1.00 mm) (400)
19	3402-110	1		Pin
19	3402-375	1		Pin (500)
20	3423-069	2		Circlip
20	3423-344	2		Circlip (500)
21	3402-430	1		Piston Assembly (inc. 17, 18, and 20)
21	3402-431	1		Piston Assembly (inc. 17, 18, and 20) (500)
21	3402-346	1	F	Piston Set (Oversized 0.50 mm) (400)
21	3402-347	1	F	Piston Set (Oversized 1.00 mm) (400)
22	3402-051	1		Bearing
23	3402-070	1		Seal, Oil
24	3402-119	1	S	Spacer
25	3423-063	1		O-Ring
26	3423-053	1	/P	O-Ring
27	3402-348	1		Spacer, Bearing - Left
28	3004-491	1	S/P	Nut
29	3402-387	1		Seal, Oil
30	3423-355	1		Circlip

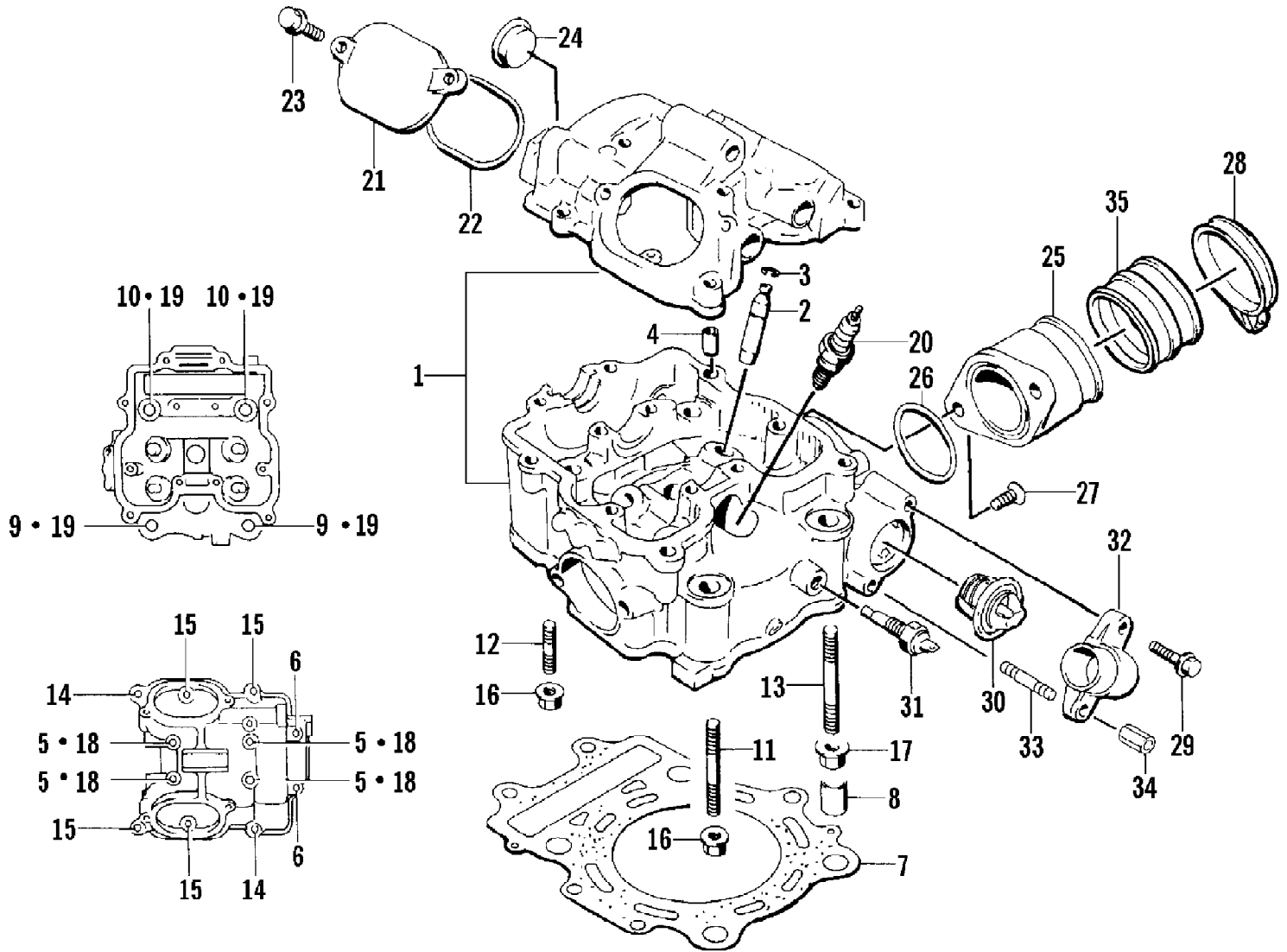
2002 ATV 400/500 MANUAL TRANSMISSION FIS (400 4X4 GREEN) (A2002184450) Page 17 of 100
CYLINDER ASSEMBLY



2002 ATV 400/500 MANUAL TRANSMISSION FIS (400 4X4 GREEN) (A2002184) (US) Page 15 of 100
CYLINDER ASSEMBLY

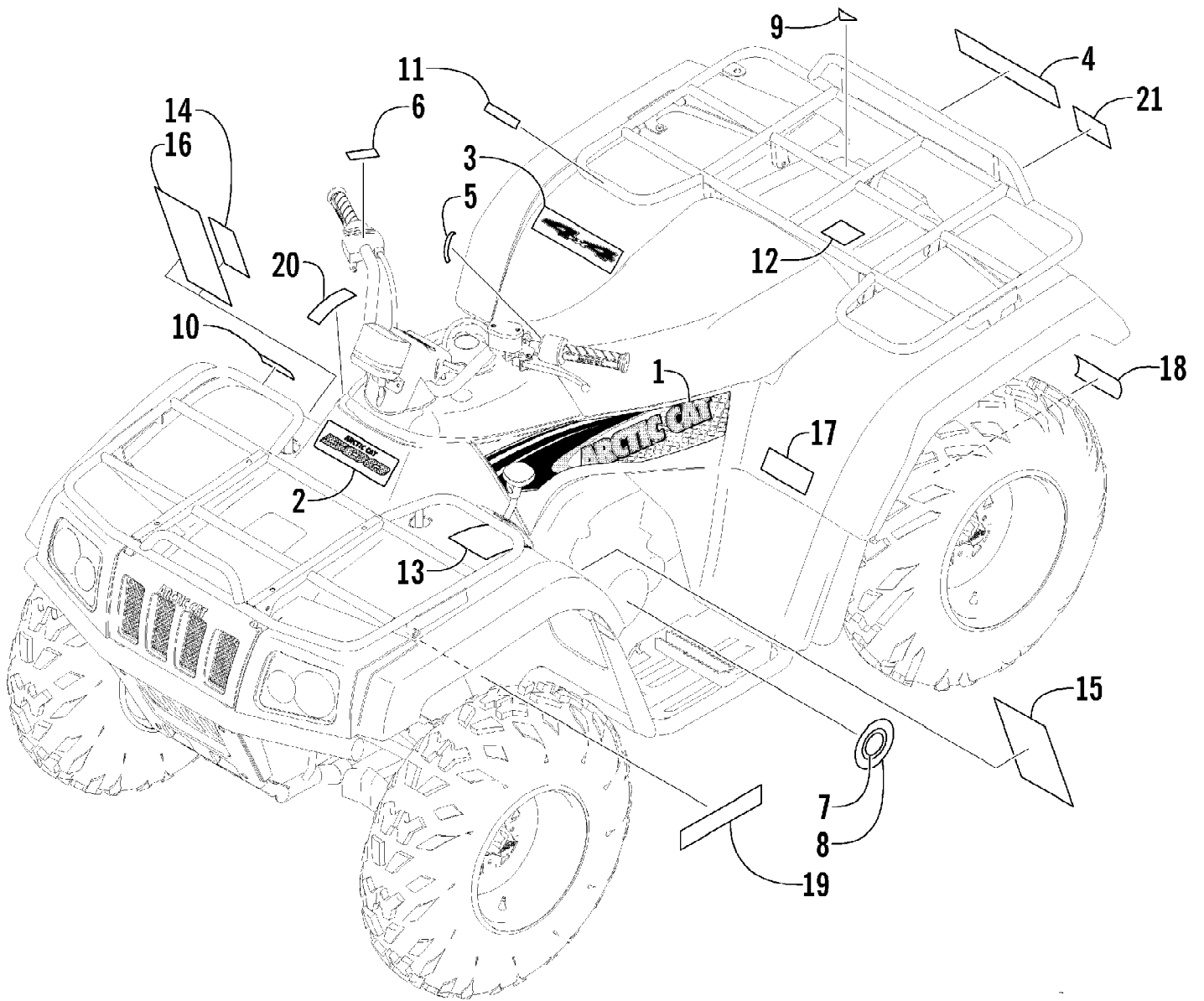
Ref #	Part Number	Qty	S/P/F	Description
1	3402-102	1		Cylinder
1	3402-364	1		Cylinder (500)
2	3423-090	2		Bolt, Stud
3	3004-488	2	S/P	Nut
4	3402-103	1	S	Gasket, Cylinder
4	3402-365	1	/P	Gasket, Cylinder (500)
5	3423-088	2		Pin, Dowel
6	3413-006	1		Union, Water Hose
7	3423-121	1	S	Screw, Cap
8	3423-058	1		O-Ring

2002 ATV 400/500 MANUAL TRANSMISSION FIS (400 4X4 GREEN) (A20021844 USG) of 100
CYLINDER HEAD ASSEMBLY



2002 ATV 400/500 MANUAL TRANSMISSION FIS (400 4X4 GREEN) (A2002184) (USA) Page 53 of 100
CYLINDER HEAD ASSEMBLY

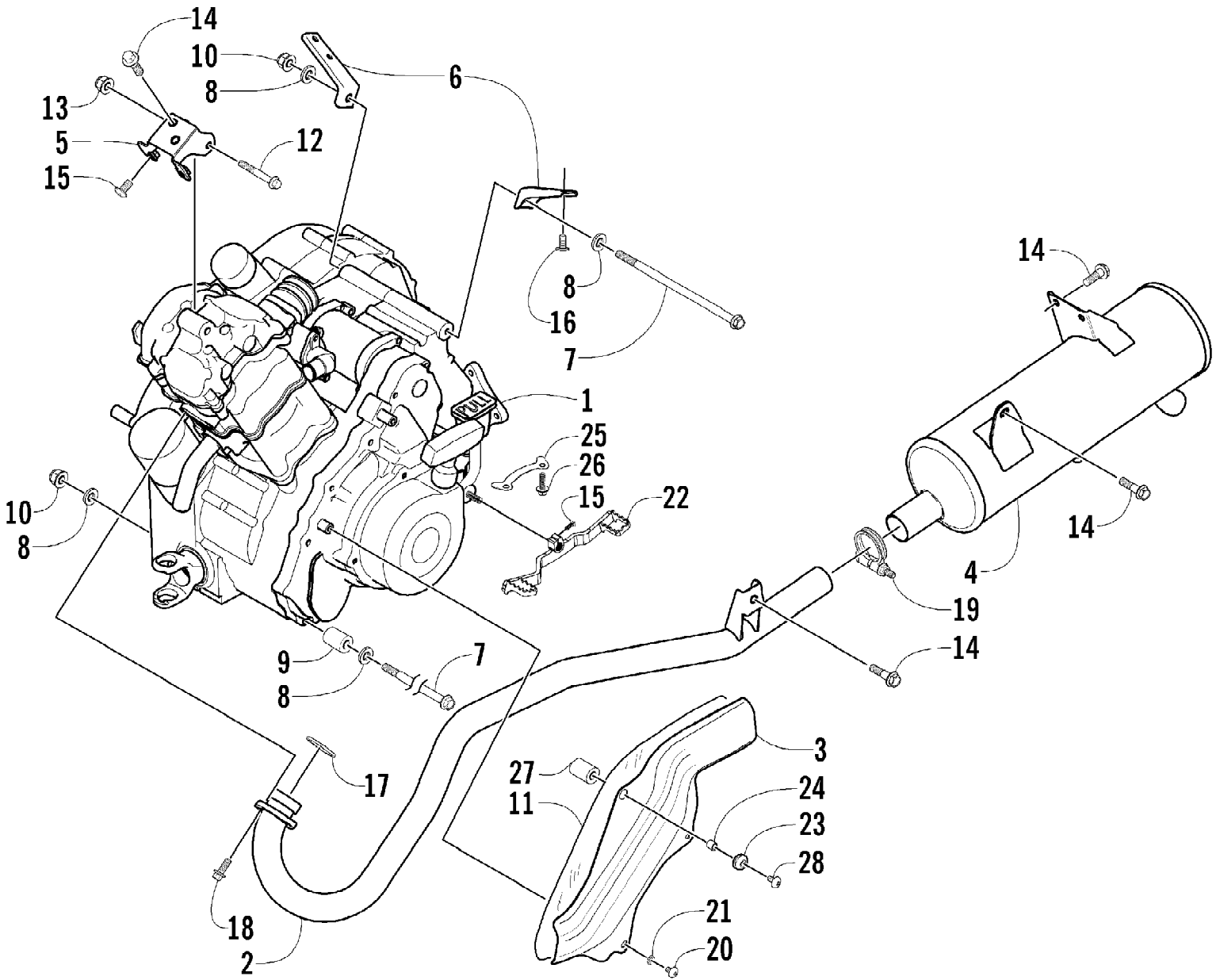
Ref #	Part Number	Qty	S/P/F	Description
	3402-107	1	S	Complete Gasket Set
	3402-370	1	S	Complete Gasket Set - 500
1	3402-098	1		Head, Cylinder - Assembly (inc. 2-6)
1	3402-361	1		Head, Cylinder - Assembly (inc. 2-6) (500)
2	3402-099	4		Guide, Valve
3	3423-068	4		Circlip
4	3423-043	2	/P	Pin, Dowel
5	3423-006	4		Screw, Cap
6	3008-376	2	S	Screw, Cap
7	3402-163	1		Gasket, Cylinder Head
7	3402-362	1		Gasket, Cylinder Head (500)
8	3423-088	2		Pin, Dowel
9	3423-015	2		Screw, Cap
10	3423-016	2		Screw, Cap
11	3423-089	2	S	Bolt, Stud
12	3423-087	2	S	Bolt, Stud
13	3423-203	1	S/P	Bolt, Stud
14	3423-007	2	S	Screw, Cap
15	3004-376	4	S/P	Screw, Cap
16	3004-488	4	S/P	Nut
17	3004-326	1	S/P	Nut
18	3003-290	4	/P	Gasket
19	3402-010	4		Gasket, Head Nut
20	0217-632	1		Spark Plug (NGK CR6E)
21	3402-100	2		Cap, Inspection
22	3402-101	2		O-Ring
23	3004-341	4	S/P	Screw, Cap
24	3402-035	1		Plug, Cylinder Head
25	3402-149	1		Pipe, Intake - Assembly (inc. 26)
25	3402-357	1		Pipe, Intake - Assembly (inc. 26) (500)
26	3423-332	1	/P	O-Ring
26	3423-353	1	/P	O-Ring (500)
27	3423-019	2		Screw, Cap
27	3423-347	2		Screw, Cap (500)
28	3402-086	2	/P	Clamp
29	3004-341	2	S/P	Screw, Cap
29	3004-341	1	S/P	Screw, Cap (500)
30	3413-005	1	S	Thermostat
30	3413-012	1		Thermostat (500)
31	3430-038	1	S	Switch, Coolant Temperature - Assembly
32	3413-004	1		Cover, Thermostat
33	3423-354	1		Stud, Thermostat Cover (500)
34	3423-349	1		Nut (500)
35	0470-412	1		Tube, Intake



2002 ATV 400/500 MANUAL TRANSMISSION FIS (400 4X4 GREEN) (A2002IB4USG) Page 52 of 100
DECALS

Ref #	Part Number	Qty	S/P/F	Description
1	0411-365	1		Decal, Side - Right (Red)
1	0411-366	1		Decal, Side - Left (Red)
1	0411-367	1		Decal, Side - Right (Green)
1	0411-368	1		Decal, Side - Left (Green)
2	0411-470	1		Decal, Front (Red)
2	0411-469	1		Decal, Front (Green)
2	0411-468	1		Decal, Front (500) (Red)
2	0411-467	1		Decal, Front (500) (Green)
3	0411-369	1		Decal, "4x4" (4x4) (Red)
3	0411-370	1		Decal, "4x4" (4x4) (Green)
4	0411-386	1		Decal, "Arctic Cat"
5	0411-325	1		Decal, Instruction - Choke
6	0411-324	1		Decal, Instruction - Start In Gear
7	0411-003	1		Decal, Shift Pattern
8	0411-009	1		Decal, Hi/Low Range (4x4)
9	3611-002	1		Decal, "Made In U.S.A."
10	0411-006	1		Decal, Warning - Front Rack Load
11	0411-007	1		Decal, Warning - Rear Rack Load
12	0411-435	1		Decal, Passenger
13	0411-401	1		Decal, Warning - Age
14	0411-008	1	/P	Decal, Warning - Reverse/Pre-Ride
15	0411-218	1		Decal, Warning - General
16	0411-045	1		Decal, Warning - Turn
17	0411-427	1		Decal, Warning - Tire Pressure
18	0411-267	1		Decal, Warning - Towing
19	0411-398	1		Decal, CA Emissions (400)
19	0411-397	1		Decal, CA Emissions (500)
20	0411-011	1		Decal, Caution - Electrical (4x4)
21	0411-471	1		Decal, FIS

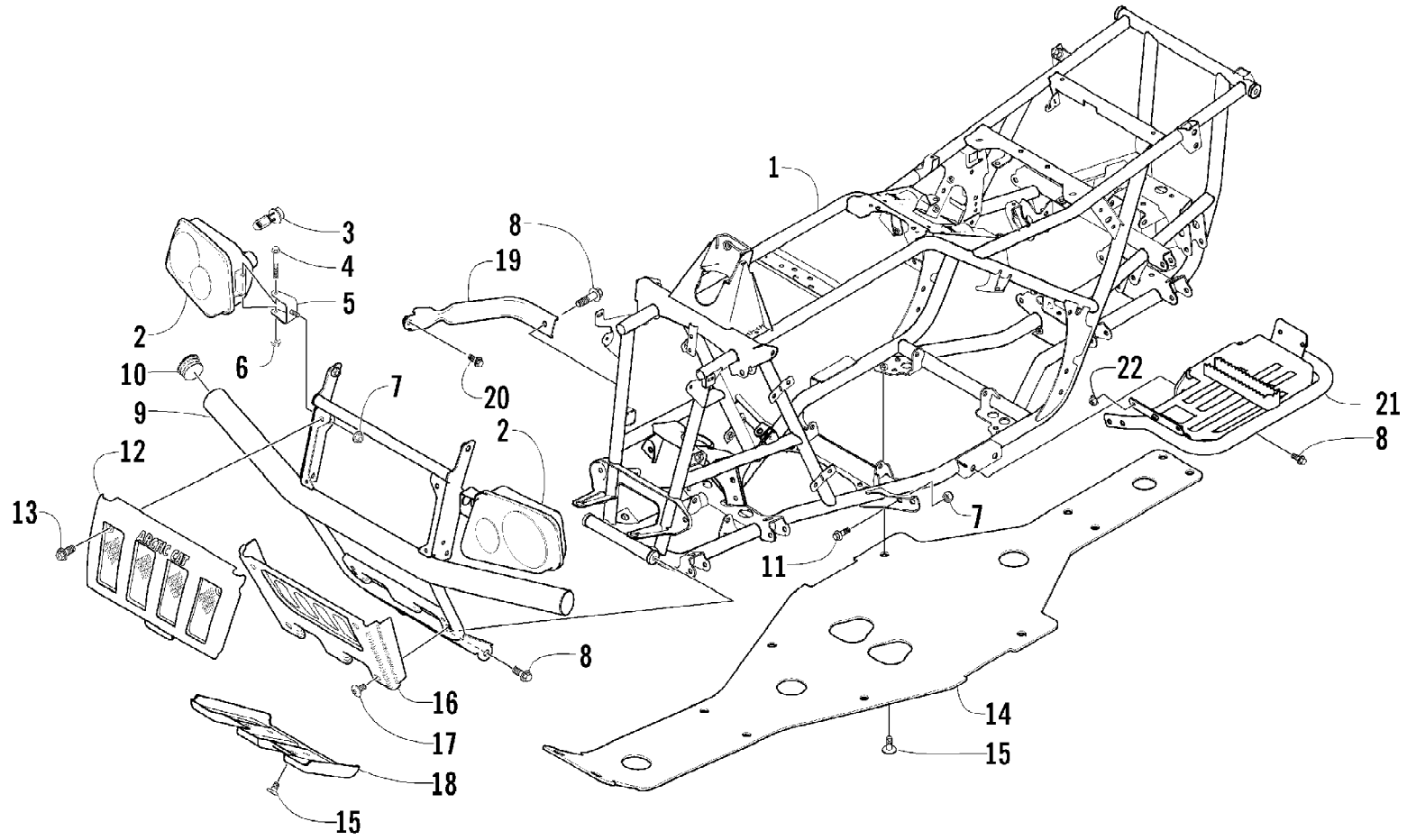
2002 ATV 400/500 MANUAL TRANSMISSION FIS (400 4X4 GREEN) (A20021844USG) Page 100
ENGINE AND EXHAUST



2002 ATV 400/500 MANUAL TRANSMISSION FIS (400 4X4 GREEN) (A20021846510) Page 5 of 100
ENGINE AND EXHAUST

Ref #	Part Number	Qty	S/P/F	Description
1	0462-008	1		Engine
1	0462-010	1		Engine (400 4x4)
1	0462-011	1	S	Engine (500)
2	0512-049	1		Pipe, Exhaust
3	0406-869	1		Cover, Exhaust
4	0412-137	1	S	Muffler
5	0506-546	1		Bracket, Engine - Upper
6	0406-907	1		Bracket, Engine - Right
6	0406-908	1	S	Bracket, Engine - Left
7	3423-003	3	S	Screw, Cap
8	0423-050	3		Washer, Engine
9	0423-042	2	S	Spacer, Engine
10	8428-002	3		Nut, Lock
11	0412-143	1		Shield, Heat
12	8408-860	1		Screw, Cap
13	8424-802	1		Nut
14	8408-816	6		Screw, Cap
15	8476-620	3		Screw, Machine
16	8408-616	4		Screw, Cap
17	0412-007	1	/P	Seal, Exhaust
18	8408-820	2	/P	Screw, Cap
19	0423-150	1		Clamp, Exhaust
20	8477-610	2		Screw, Machine
21	8053-211	2	S	Washer, Lock - External Tooth
22	0502-263	1		Lever, Shift
23	0423-030	1		Grommet
24	0423-036	1		Collar
25	0402-769	1		Retainer (500)
26	0423-333	2		Screw, Cap (500)
27	0402-256	1		Collar (400)
28	8477-650	1		Screw, Machine
28	8476-620	1		Screw, Machine (500)

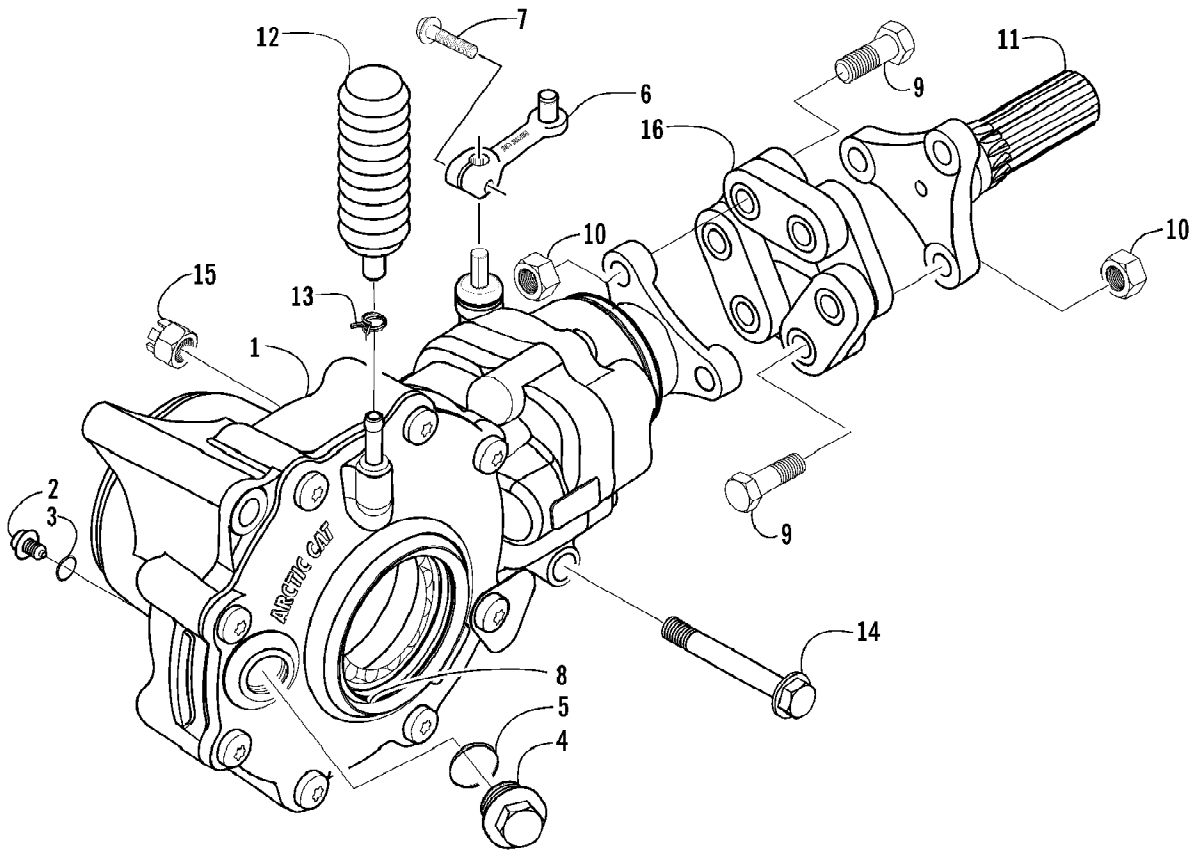
2002 ATV 400/500 MANUAL TRANSMISSION FIS (400 4X4 GREEN) (A20021844USG) Page 55 of 100
FRAME AND RELATED PARTS



2002 ATV 400/500 MANUAL TRANSMISSION FIS (400 4X4 GREEN) (A2002184453) Page 53 of 100
FRAME AND RELATED PARTS

Ref #	Part Number	Qty	S/P/F	Description
1	0506-678	1		Frame, Main
2	0409-032	2		Headlight Assembly - Right (inc. 3-6)
2	0409-031	2		Headlight Assembly - Left (inc. 3-6)
3	0409-045	2		Bulb, Headlight
4	8410-860	2		Screw, Cap
5	0406-945	2		Bracket, Headlight Mounting
6	0423-375	2		Nut, Flange
7	8424-802	6		Nut, Flange
8	8409-020	8	/P	Screw, Cap
9	0506-595	1	S	Bumper
9	0506-544	1		Bumper (4x4)
10	0406-130	2		Cap, Bumper (4x4)
11	8408-816	4		Screw, Cap
12	0406-832	1		Grille, Upper
13	0423-361	2		Screw, Machine
14	1406-030	1		Panel, Belly
15	0423-101	AR		Screw, Body
16	0406-833	1	S	Grille, Bumper - Lower
17	0423-362	4		Screw, Machine
18	0406-834	1		Plate, Skid
19	0506-653	2	S	Channel, Bumper Mounting
20	8408-812	2		Screw, Cap
21	0506-534	1		Footrest - Right
21	0506-535	1		Footrest - Left
22	8424-602	2	/P	Nut, Flange

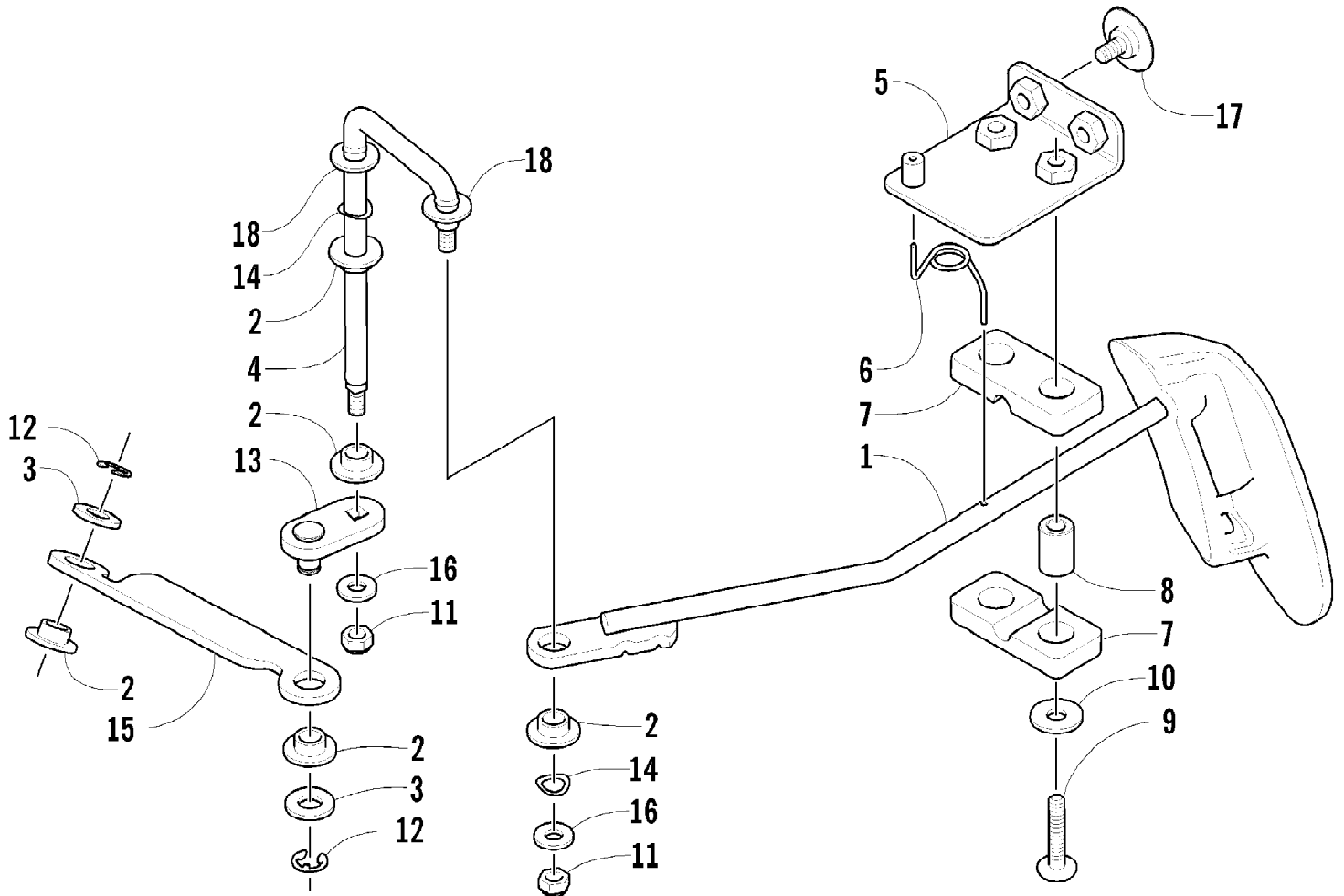
2002 ATV 400/500 MANUAL TRANSMISSION FIS (400 4X4 GREEN) (A20021844USG) of 100
FRONT DRIVE GEARCASE ASSEMBLY (4x4)



2002 ATV 400/500 MANUAL TRANSMISSION FIS (400 4X4 GREEN) (A2002184453) Page 53 of 100
 FRONT DRIVE GEARCASE ASSEMBLY (4x4)

Ref #	Part Number	Qty	S/P/F	Description
1	0502-119	1		Gearcase, Front - Assembly (inc. 2-8)
2	0402-450	1	S	Plug, Magnetic (inc. 3)
3	0423-153	1		O-Ring
4	0402-333	1	/P	Plug, Fill (inc. 5)
5	0423-154	1		O-Ring
6	0502-092	1		Arm, Selector
7	8476-620	1		Screw
8	0402-394	2	S	Seal
9	3423-182	6	S	Screw, Cap
10	3004-491	6	S/P	Nut
11	0502-151	1		Shaft, Propeller
12	0402-147	1	S	Bladder, Gearcase
13	0423-315	1		Clamp, Hose
14	3423-010	2	/P	Screw, Cap
15	8428-002	2		Nut, Lock
16	3435-007	1		Coupler, Propeller Shaft

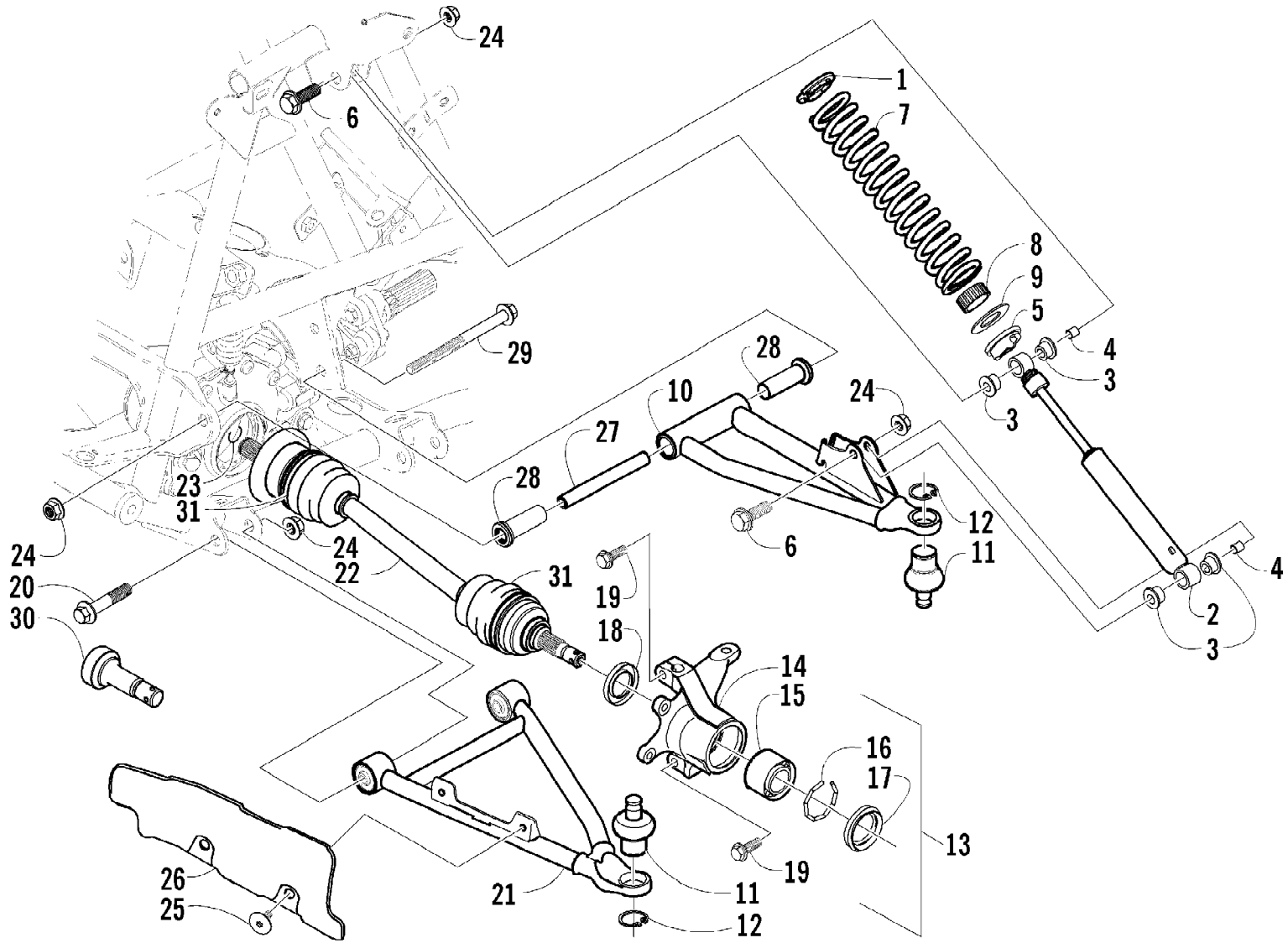
2002 ATV 400/500 MANUAL TRANSMISSION FIS (400 4X4 GREEN) (A20021844USG) of 100
FRONT DRIVE SHIFT LINKAGE ASSEMBLY (4x4)



2002 ATV 400/500 MANUAL TRANSMISSION FIS (400 4X4 GREEN) (A2002184453) Page 15 of 100
 FRONT DRIVE SHIFT LINKAGE ASSEMBLY (4x4)

Ref #	Part Number	Qty	S/P/F	Description
1	0502-291	1		Shifter
2	0423-091	5		Bushing, Shifter
3	8050-247	2	/P	Washer
4	0402-821	1		Arm, Shifter
5	0502-234	1		Plate, Mounting
6	0402-828	1		Spring, Torsion
7	0406-363	2		Bushing
8	0402-256	2		Collar
9	8476-630	2		Screw, Machine
10	8050-222	2	/P	Washer
11	0624-250	2		Nut, Lock
12	0124-057	2	/P	E-Ring
13	0502-295	1		Arm, Selector
14	0423-368	2		Washer, Wave
15	0402-824	1	S	Cross-Link
16	0423-348	2		Washer
17	0423-101	2		Screw, Body
18	0123-053	2	/P	Washer

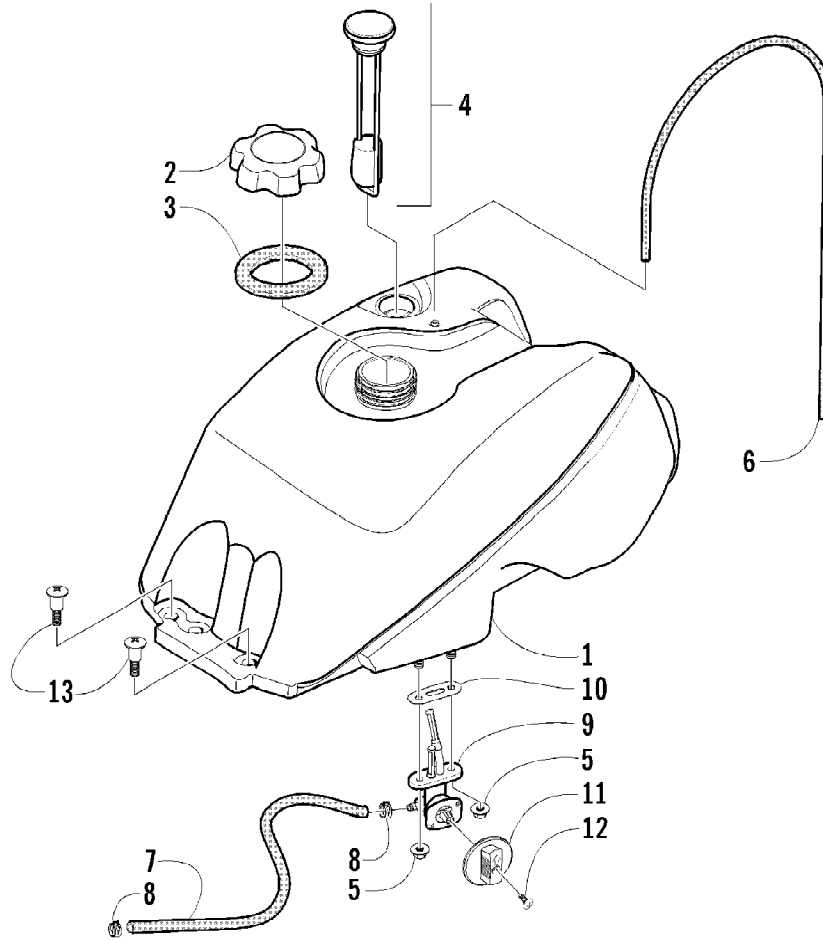
2002 ATV 400/500 MANUAL TRANSMISSION FIS (400 4X4 GREEN) (A20021846USG) of 100
FRONT SUSPENSION ASSEMBLY



2002 ATV 400/500 MANUAL TRANSMISSION FIS (400 4X4 GREEN) (A2002184) (USA) Page 10 of 100
FRONT SUSPENSION ASSEMBLY

Ref #	Part Number	Qty	S/P/F	Description
1	1603-889	2	/P	Retainer, Spring
2	0403-095	2	S	Shock Absorber - Front (inc. 3-5)
2	0403-090	2	S	Shock Absorber - Front (inc. 3-5) (4x4)
3	0604-310	8		Bushing, Shock Absorber
4	0403-028	4		Sleeve, Shock
5	0403-099	2	/P	Retainer, Spring - Lower
6	8409-040	4		Screw, Cap
7	0403-096	2		Spring, Shock Absorber
7	0403-091	2		Spring, Shock Absorber (4x4)
8	0403-098	2	S	Collar, Spring
9	0403-013	2		Washer, Spring
10	0503-128	1	S	A-Arm, Upper Right - Assembly (inc. 11-12 and 27-28)
10	0503-129	1	S	A-Arm, Upper Left - Assembly (inc. 11-12 and 27-28)
11	0405-068	4	S	Ball Joint - Front
12	0423-009	4	/P	Clip, Ball Joint
13	0505-026	1	S/P	Knuckle - Assembly - Right (inc. 14-18)
13	0505-027	1	S/P	Knuckle - Assembly - Left (inc. 14-18)
14	0505-062	1	S	Knuckle, Steering - Right
14	0505-063	1	S	Knuckle, Steering - Left
15	0402-275	2	/P	Bearing, Wheel Hub - Front
16	0423-034	2		Clip, Bearing
17	0402-089	2		Seal, Wheel Bearing - Front
18	0402-069	2		Seal, Wheel Bearing - Front
19	8409-030	4		Screw, Cap
20	8409-060	4		Screw, Cap
21	0503-144	1	S	A-Arm, Lower Right (inc. 11-12)
21	0503-145	1	S	A-Arm, Lower Left (inc. 11-12)
21	0503-124	1	S	A-Arm, Lower Right (inc. 11-12) (4x4)
21	0503-125	1	S	A-Arm, Lower Left (inc. 11-12) (4x4)
22	0402-907	2	S	Axle, Drive - Front (inc. 23) (4x4)
23	0441-400	2	S	Clip, Retaining
24	8428-002	10		Nut, Lock
25	0423-101	4		Screw, Body (4x4)
26	1406-034	1		Guard, Boot - Axle - Right (4x4)
26	1406-035	1		Guard, Boot - Axle - Left (4x4)
27	0403-080	2		Collar
28	0403-081	4	S	Bushing
29	0423-334	2		Screw, Cap
30	1402-006	2		Axle, Stub (2x4)
31	0436-276	4	S	Repair Kit, Boot - Front Axle (4x4)
	0444-141	1	F	Wrench, Spanner - Front Shock

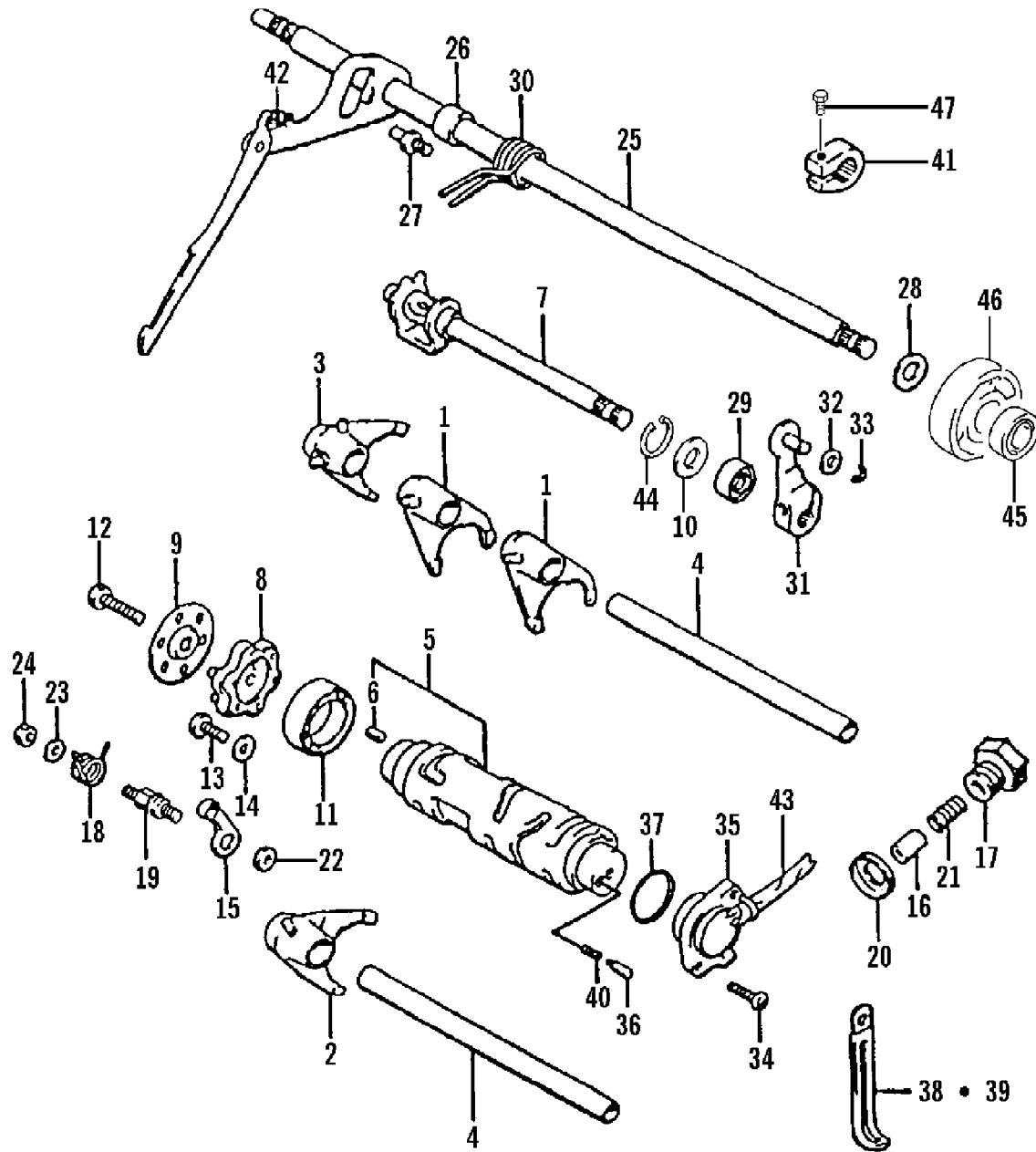
2002 ATV 400/500 MANUAL TRANSMISSION FIS (400 4X4 GREEN) (A20021844US) of 100
GAS TANK ASSEMBLY



2002 ATV 400/500 MANUAL TRANSMISSION FIS (400 4X4 GREEN) (A20021844USG) Page 10 of 100
 GAS TANK ASSEMBLY

Ref #	Part Number	Qty	S/P/F	Description
1	0570-066	1	/P	Tank, Gas - Assembly (inc. 2-10)
2	0470-438	1	/P	Cap, Gas Tank (inc. 3)
3	0109-733	1	/P	Gasket, Tank Cap
4	0470-444	1	S	Gauge, Fuel w/Gasket (Press-Fit)
5	0423-398	2		Nut, Lock
6	0470-416	1	/P	Hose, Vent
7	0610-007	AR	/P	Hose, Gasline - 25 ft
8	0423-152	2		Clamp, Hose
9	0470-445	1	/P	Valve, Fuel Shut-Off (inc. 10)
10	0470-364	1		Gasket, Fuel Shut-Off Valve
11	0470-408	1		Knob, Fuel Shut-Off Valve
12	0423-146	1		Screw, Fuel Shut-Off Valve Knob
13	0423-130	2		Screw, Shoulder

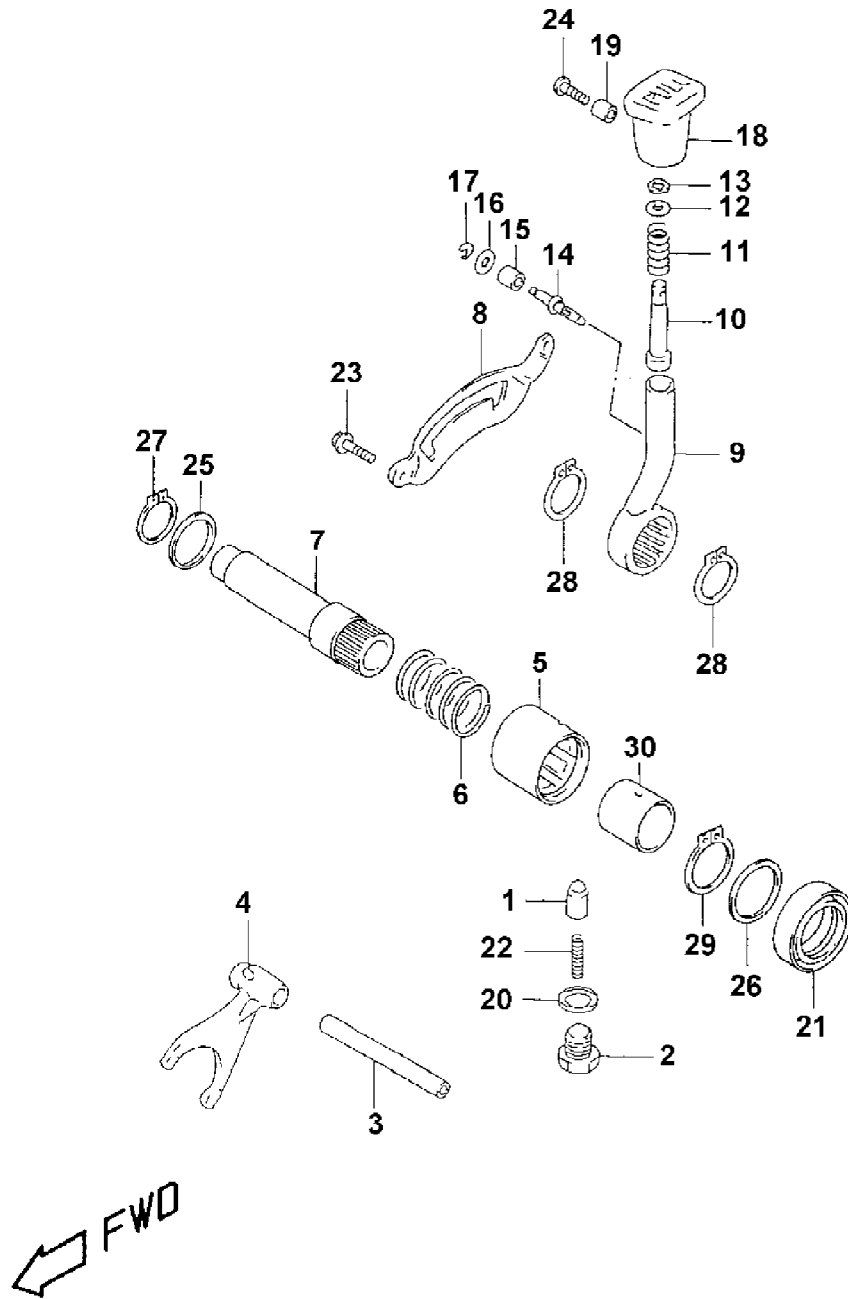
2002 ATV 400/500 MANUAL TRANSMISSION FIS (400 4X4 GREEN) (A20021846 US) Page 5 of 100
GEAR SHIFTING ASSEMBLY



2002 ATV 400/500 MANUAL TRANSMISSION FIS (400 4X4 GREEN) (A20021844USG) Page 15 of 100
GEAR SHIFTING ASSEMBLY

Ref #	Part Number	Qty	S/P/F	Description
1	3446-038	2		Fork (No. 2)
2	3446-039	1		Fork (No. 3)
3	3446-040	1		Fork, Reverse
4	3446-052	2		Shaft, Gear Shift Fork
5	3446-041	1		Cam, Gear Shift (inc. 6)
6	3423-114	1	/P	Pin, Gear Shift Cam
7	3446-042	1		Cam, Reverse Shift
7	3446-241	1		Cam, Reverse Shift (4x4)
8	3446-049	1		Plate, Gear Shift Cam
9	3446-050	1	S	Guide, Gear Shift Cam Plate
10	3402-014	1		Washer, Reverse Shift Cam
10	3423-357	1		Washer, Reverse Shift Cam (4x4)
11	3402-051	1		Bearing, Gear Shift Cam
12	3423-125	1	S	Bolt, Clutch Release Arm
13	3004-552	2	S	Screw, Cam Bearing Retainer
14	3423-135	2		Retainer, Bearing
15	3446-043	1		Stopper, Gear Shift Cam
16	3446-117	1		Stopper, Reverse Shift Cam
17	3446-046	1		Housing, Reverse Shift Cam Stopper
17	3446-164	1		Housing, Reverse Shift Cam Stopper (4x4)
18	3446-047	1		Spring, Gear Shift Cam Stopper
19	3446-048	1		Support, Gear Shift Cam Stopper
20	3402-012	1		Gasket, Reverse Shift Cam Stopper Housing
21	3402-088	1		Spring, Reverse Shift Cam Stopper
22	3423-141	1		Washer, Gear Shift Cam Stopper
23	3423-142	1		Washer, Cam Stopper
24	3004-488	1	S/P	Nut, Cam Stopper Support
25	3446-223	1	S	Shaft, Gear Shift (inc. 42)
25	3446-243	1	S	Shaft, Gear Shift (inc. 42) (4x4)
26	3446-054	1		Spacer, Gear Shift Shaft
27	3446-056	1		Stopper, Gear Shift Arm
28	3402-068	1	/P	Seal, Gear Shift Shaft Oil (400)
29	3402-076	1		Seal, Reverse Gear Shift Arm Oil
30	3402-094	1		Spring, Gear Shift Arm Return
31	3446-055	1		Arm, Reverse Gear Shift
32	3423-204	1	/P	Washer, Reverse Gear Shift Arm
32	3423-209	1		Washer, Reverse Gear Shift Arm (400 4x4)
33	3423-168	1	S	E-Ring, Reverse Gear Shift Arm
34	3423-166	2	S	Screw, Cap
35	3430-015	1	/P	Base Assembly
36	3423-044	1		Contact, Neutral
37	3423-059	1		O-Ring
38	3004-787	1		Clamp
39	3002-964	1	/P	Clamp
40	3402-087	1		Spring
41	3402-008	1	/P	Hub, Gear Shift Shaft
42	3402-093	1		Spring, Gear Shift
43	0706-990	AR	/P	Tape, Foil
44	3423-358	1	S	Circlip, Reverse Gear Shift Arm
45	3402-068	1	/P	Seal, Gear Shift Shaft Oil (500)
46	3402-385	1		Bearing, Gear Shift Shaft (500)
47	3423-125	1	S	Bolt

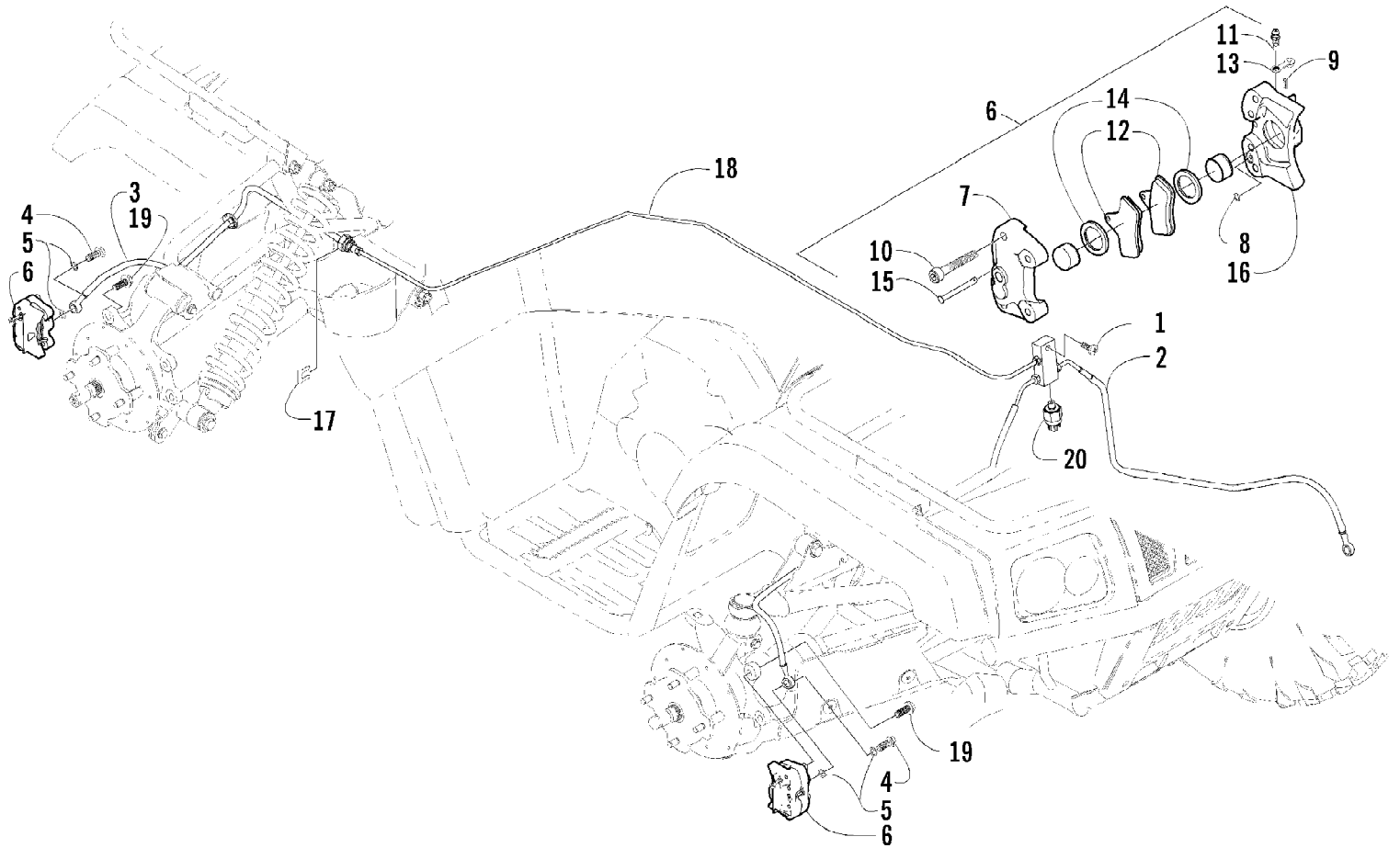
2002 ATV 400/500 MANUAL TRANSMISSION FIS (400 4X4 GREEN) (A20021846 USG) of 100
HI/LO SHIFTER ASSEMBLY (4x4)



2002 ATV 400/500 MANUAL TRANSMISSION FIS (400 4X4 GREEN) (A20021844USG) Page 10 of 100
 HI/LO SHIFTER ASSEMBLY (4x4)

Ref #	Part Number	Qty	S/P/F	Description
1	3446-242	1		Stopper, Shift Cam
2	3446-046	1		Housing, Shift Cam Stopper
3	3446-051	1		Shaft, Shift Fork
4	3446-073	1		Fork, Shift
5	3446-074	1		Cam, Shift
5	3446-250	1		Cam, Shift (500)
6	3446-104	1		Spring
7	3446-251	1	S	Shaft, Shift
8	3446-077	1		Plate, Lever Stop
9	3446-105	1	/P	Lever, Shift - Assembly (inc. 10-17)
10	3446-252	1		Sub-Rod
11	3446-107	1		Spring
12	3423-155	1		Washer
13	3423-154	1		Circlip
14	3423-205	1		Pin
15	3446-106	1		Collar
16	3423-152	1	/P	Washer
17	3423-153	1		E-Clip
18	3446-078	1		Handle
19	3402-191	1		Spacer
20	3402-012	1		Gasket, Shift Cam Stopper
21	3402-071	1	/P	Seal, Oil
22	3446-113	1		Spring
23	3004-377	2	S/P	Bolt, Lever Stop Plate
24	3423-156	1	S	Screw, Shift Handle
25	3402-382	1		Washer, Cam Stop
26	3423-158	1	/P	Washer, Shaft - Left
27	3423-191	1	/P	Circlip, Cam Spring
28	3423-192	2	/P	Circlip, Shift Lever
29	3423-193	1	S/P	Circlip, Shaft - Left
30	3446-112	1	/P	Spacer Set
30	3446-261	1		Spacer Set (500)

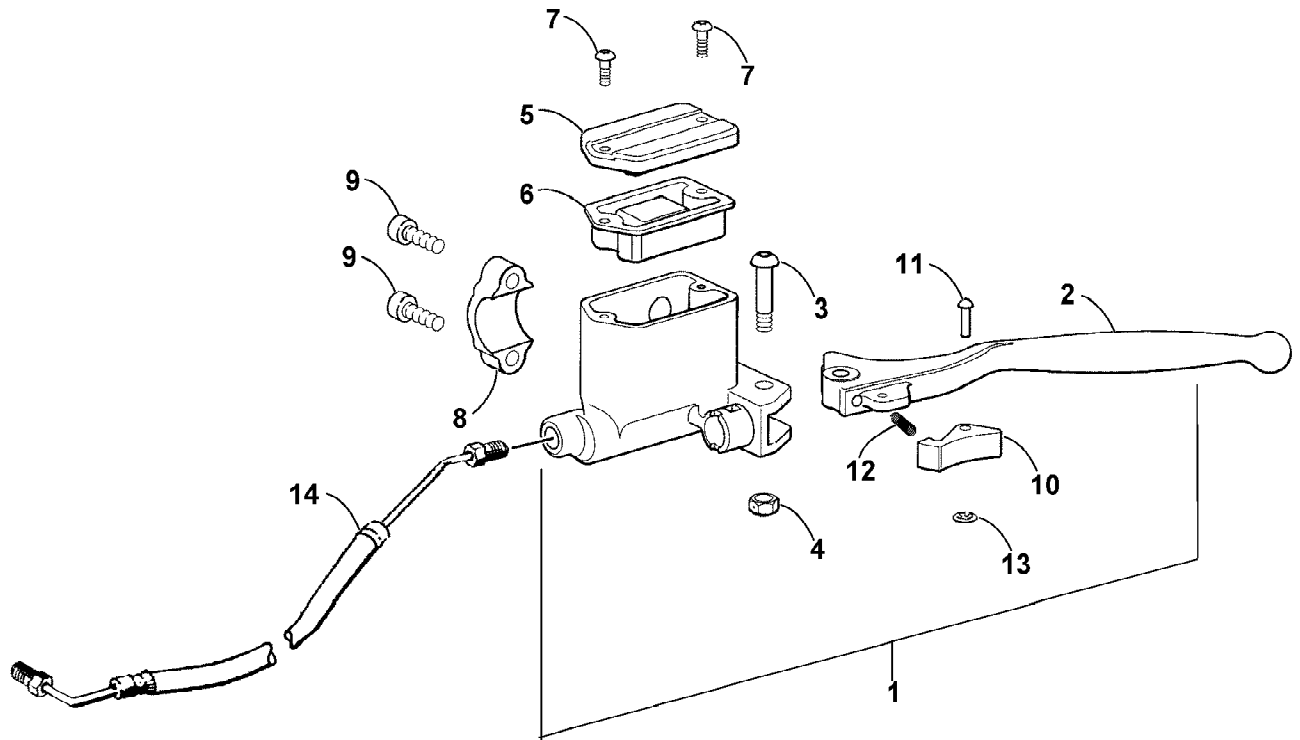
2002 ATV 400/500 MANUAL TRANSMISSION FIS (400 4X4 GREEN) (A2002184) (USA) (Page 4 of 10)
HYDRAULIC BRAKE ASSEMBLY



2002 ATV 400/500 MANUAL TRANSMISSION FIS (400 4X4 GREEN) (A2002IB400500) Page 53 of 100
HYDRAULIC BRAKE ASSEMBLY

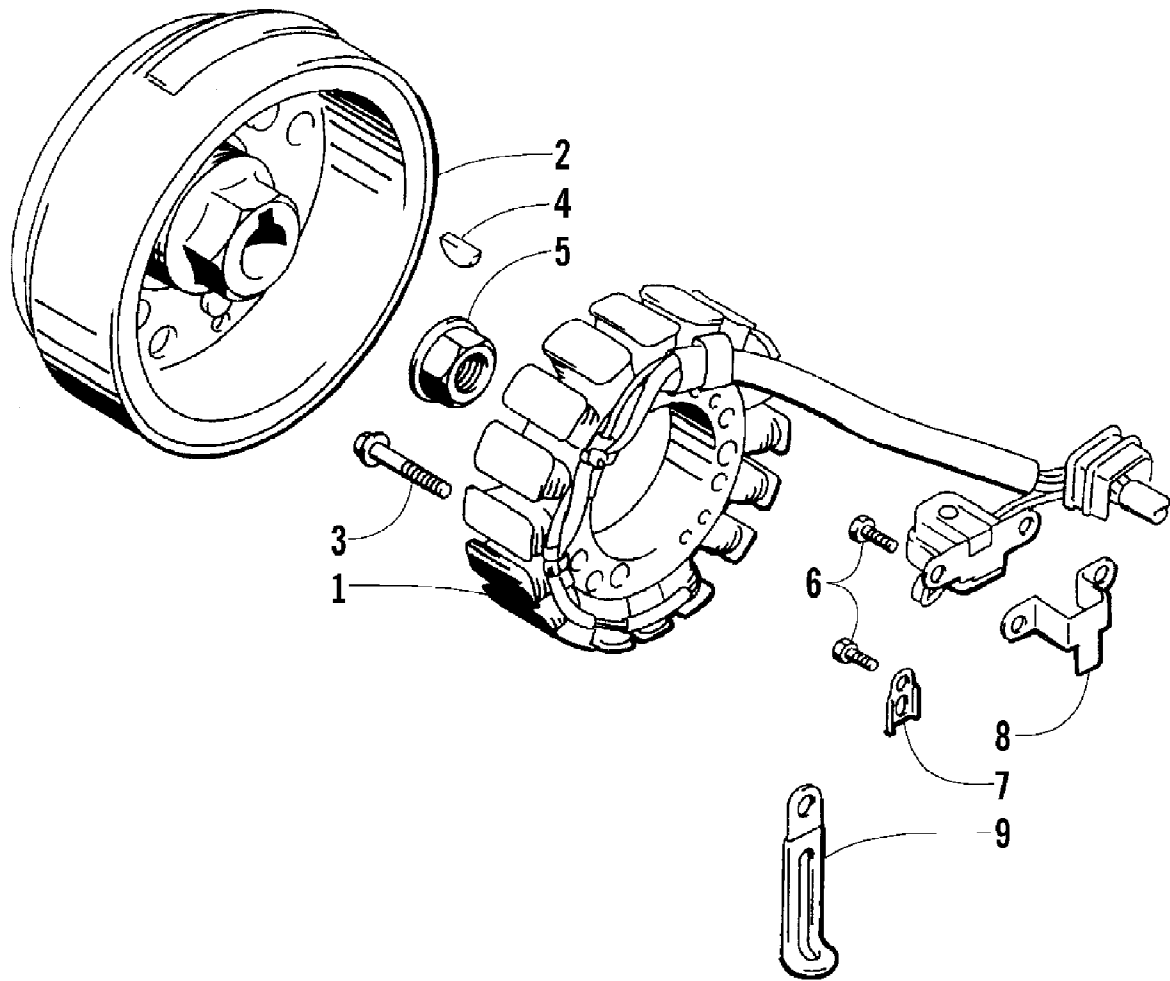
Ref #	Part Number	Qty	S/P/F	Description
1	8476-625	1		Screw, Cap
2	0402-961	1		Hose, Brake - Front
3	0402-956	1		Hose, Brake - Rear
4	0423-409	3		Bolt, Banjo Fitting
5	0423-039	6		Washer, Crush
6	0502-335	1	S	Caliper, Brake - Right Front (inc. 7-16)
6	0502-336	2	S	Caliper, Brake - Left Front and Right Rear (inc. 7-16)
7	0	3	F	Housing, Caliper
8	0402-490	3		O-Ring
9	0402-496	3	S	Pin, Cotter
10	0402-495	3		Pin, Brake Caliper
11	0402-493	3		Cap, Bleed Valve
12	0402-882	6	/P	Pad, Brake
13	0402-491	3	S	Valve, Bleed
14	0402-980	6		O-Ring, Brake Caliper
15	0402-492	12		Screw, Cap
16	0	3	F	Housing, Caliper
17	0402-597	1	/P	Clip, Brakeline
18	0402-955	1		Tube, Brake Line - Rear
19	8408-825	6		Screw, Cap
20	0402-306	1	/P	Switch, Brake Pressure

2002 ATV 400/500 MANUAL TRANSMISSION FIS (400 4X4 GREEN) (A2002IB4050) Page 5 of 100
HYDRAULIC HAND BRAKE ASSEMBLY



2002 ATV 400/500 MANUAL TRANSMISSION FIS (400 4X4 GREEN) (A2002IB4052) Page 52 of 100
HYDRAULIC HAND BRAKE ASSEMBLY

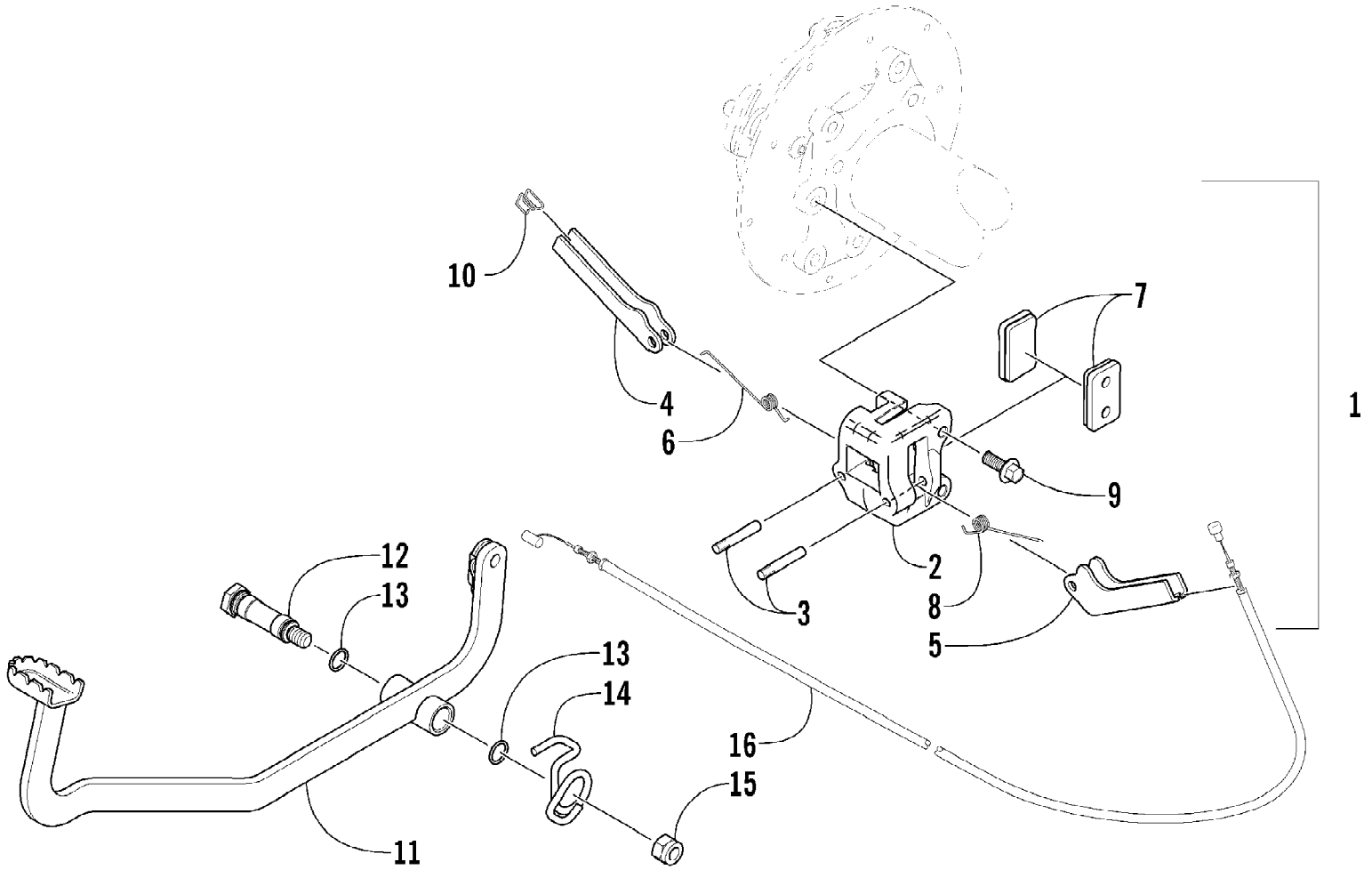
Ref #	Part Number	Qty	S/P/F	Description
1	0502-351	1	S	Cylinder, Master - Assembly (inc. 2-13)
2	0402-818	1	/P	Lever, Brake
3	0402-940	1	S	Screw
4	0402-941	1	/P	Nut, Lock
5	0402-544	1		Cover, Reservoir
6	0402-553	1		Bladder, Reservoir
7	0402-938	2		Screw
8	0402-894	1	/P	Clamp, Master Cylinder
9	0402-939	2		Screw
10	0402-892	1	S	Lock, Brake Lever
11	0402-936	1	/P	Rivet
12	0402-559	1		Spring, Brake - Lever Lock
13	0402-937	1	/P	Washer, Lock - Internal Tooth
14	0402-962	1		Hose, Brakeline



2002 ATV 400/500 MANUAL TRANSMISSION FIS (400 4X4 GREEN) (A20021844510) Page 5 of 100
 MAGNETO ASSEMBLY

Ref #	Part Number	Qty	S/P/F	Description
1	3430-011	1	/P	Stator Assembly
2	3430-012	1		Rotor/Flywheel
3	3423-162	3	S	Bolt
4	0691-785	1		Key
5	3423-086	1		Nut
6	3423-005	3	/P	Screw, Cap
7	3430-005	1		Clamp
8	3430-006	1		Clamp
9	3002-964	1	/P	Clamp, Wire

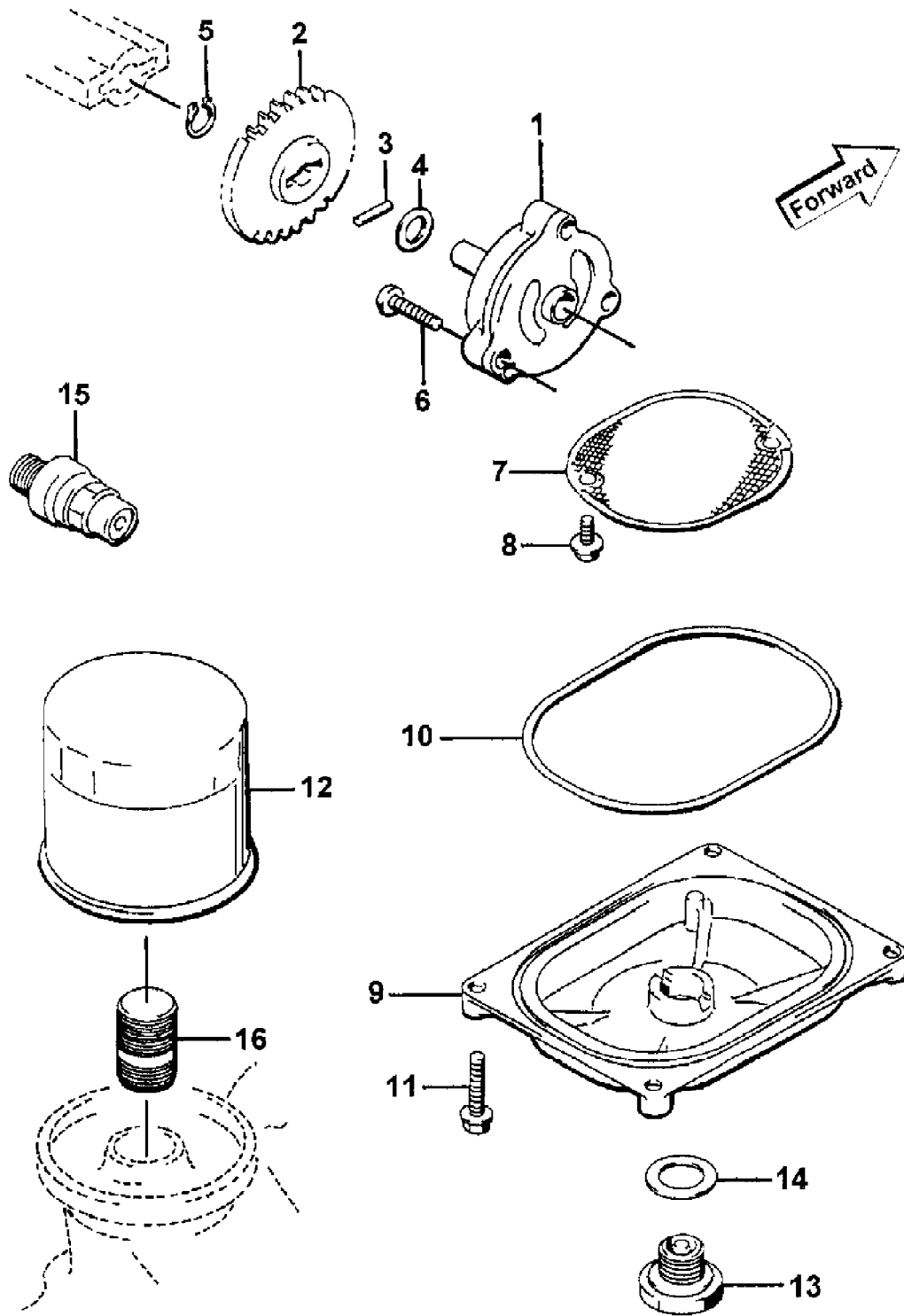
2002 ATV 400/500 MANUAL TRANSMISSION FIS (400 4X4 GREEN) (A2002184453) Page 53 of 100
MECHANICAL BRAKE ASSEMBLY



2002 ATV 400/500 MANUAL TRANSMISSION FIS (400 4X4 GREEN) (A2002IB4050) Page 53 of 100
MECHANICAL BRAKE ASSEMBLY

Ref #	Part Number	Qty	S/P/F	Description
1	0502-372	1	/P	Mechanical Brake Assembly (inc. 2-8)
2	0	1	F	Housing, Brake
3	0	2	F	Pin, Arm
4	0	1	F	Arm, Inner
5	0	1	F	Arm, Outer
6	0	1	F	Spring, Arm
7	0402-958	2	/P	Pad, Brake
8	0	1	F	Spring, Arm
9	8408-825	2		Screw, Cap
10	0402-379	1		Wire Form, Cable
11	0502-252	1		Lever, Brake
12	0402-872	1		Axle, Brake Lever
13	0423-096	2		O-Ring
14	0402-838	1	S	Spring, Brake
15	8422-002	1		Nut
16	0487-006	1		Cable, Brake - Rear

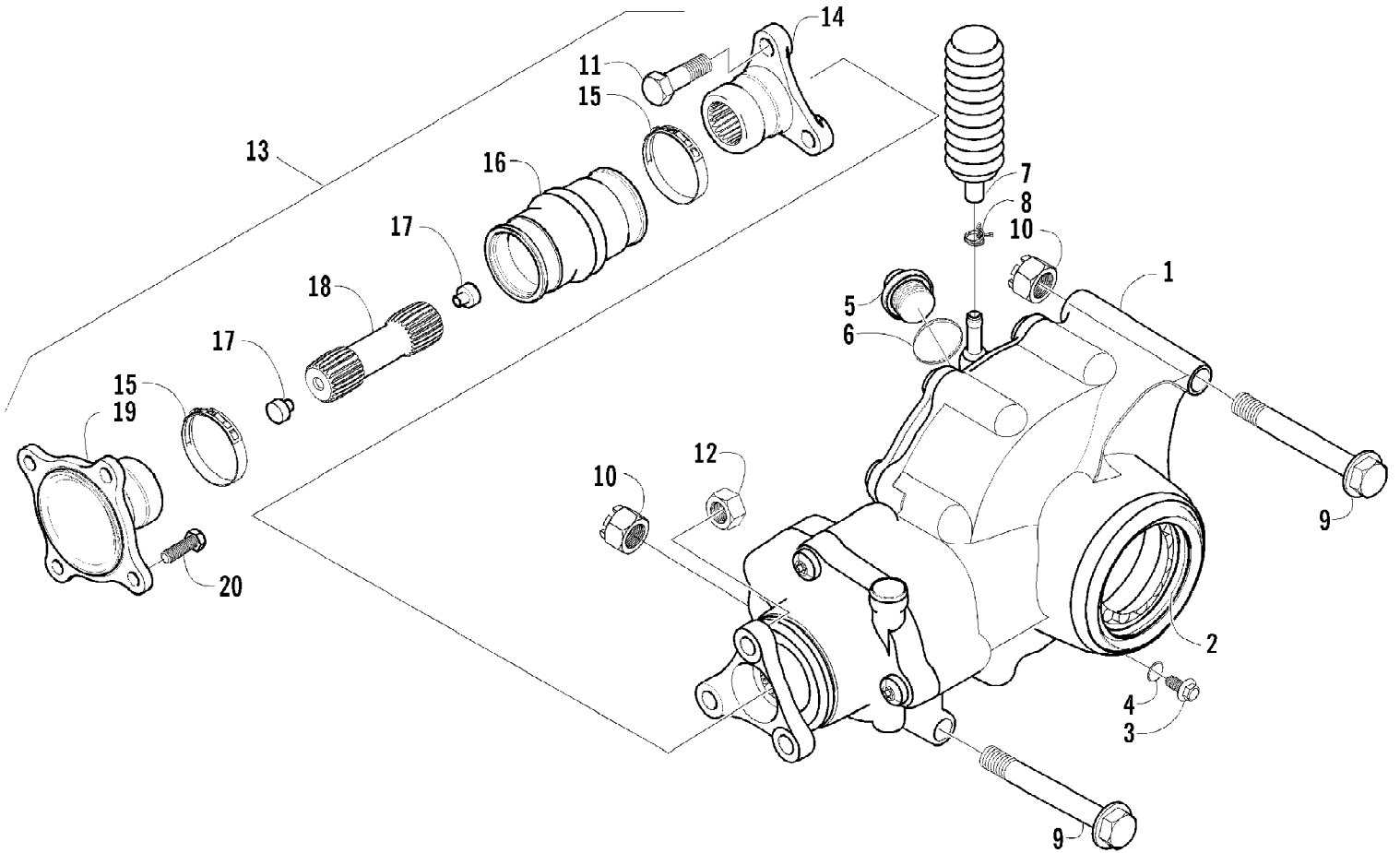
2002 ATV 400/500 MANUAL TRANSMISSION FIS (400 4X4 GREEN) (A20021844570) of 100
OIL FILTER/PUMP ASSEMBLY



2002 ATV 400/500 MANUAL TRANSMISSION FIS (400 4X4 GREEN) (A2002184453) Page 53 of 100
 OIL FILTER/PUMP ASSEMBLY

Ref #	Part Number	Qty	S/P/F	Description
1	3402-153	1		Pump, Oil
2	3402-026	1		Gear, Driven
3	3423-046	1		Pin
4	3423-115	1		Washer
5	3423-184	1	S	Circlip
6	3423-113	3	S/P	Screw, Cap
7	3402-156	1		Strainer, Oil
8	0693-389	2	S	Screw, Cap
9	3402-157	1		Cap, Oil Strainer
10	3423-077	1		O-Ring
11	3004-756	4	S	Screw, Cap
12	0436-146	1	S	Filter, Oil
13	3402-036	1	S	Plug, Drain
14	3402-012	1		Gasket
15	3402-154	1		Valve, Assembly - Oil Relief
15	3402-359	1		Valve, Assembly - Oil Relief (500)
16	3402-158	1	S	Union, Oil Filter

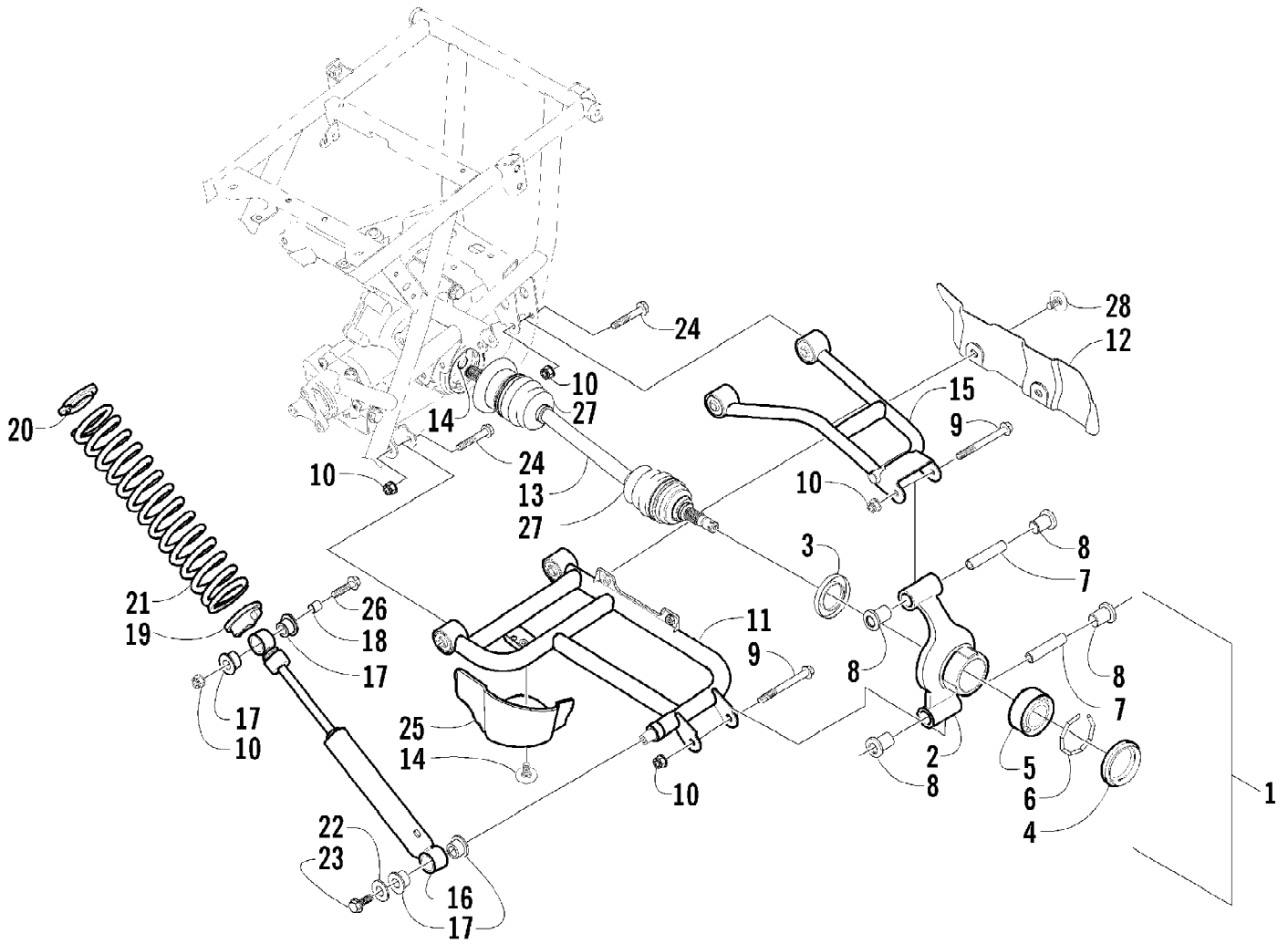
2002 ATV 400/500 MANUAL TRANSMISSION FIS (400 4X4 GREEN) (A20021844 USG) Page 53 of 100
REAR DRIVE GEARCASE ASSEMBLY



2002 ATV 400/500 MANUAL TRANSMISSION FIS (400 4X4 GREEN) (A2002184453) Page 53 of 100
REAR DRIVE GEARCASE ASSEMBLY

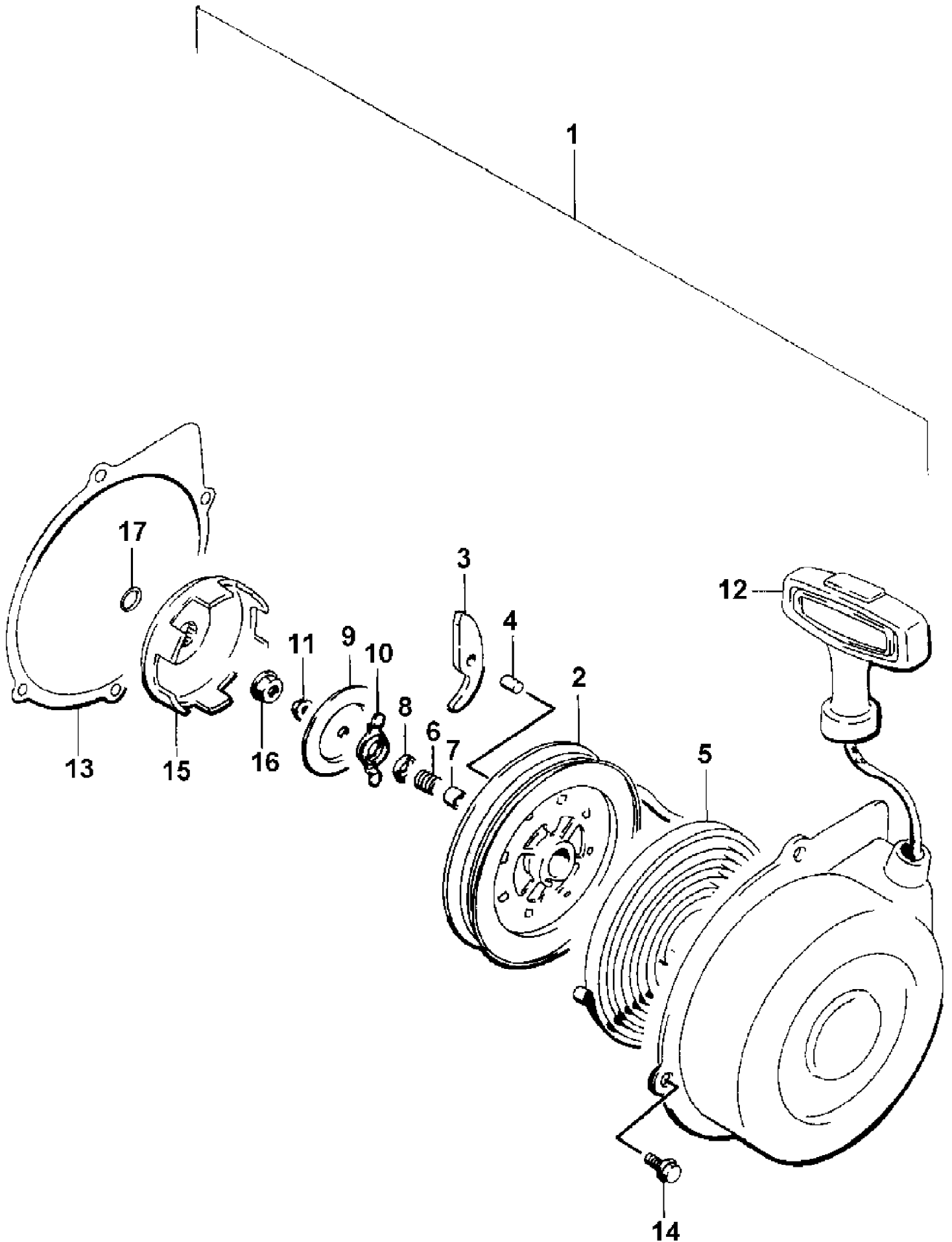
Ref #	Part Number	Qty	S/P/F	Description
	0502-294	1		Complete Assembly
1	0502-294	1		Gearcase, Rear - Assembly (inc. 2-6)
2	0402-394	2	S	Seal
3	0402-450	1	S	Plug, Magnetic (inc. 4)
4	0423-153	1		O-Ring
5	0402-333	1	/P	Plug, Fill (inc. 6)
6	0423-154	1		O-Ring
7	0402-147	1	S	Bladder, Gearcase
8	0423-315	1		Clamp, Hose
9	3423-010	2	/P	Bolt
10	8428-002	2		Nut, Lock
11	8409-030	3		Screw, Cap
12	0423-157	3		Nut, Lock
13	0502-326	1		Coupler, Drive (inc. 14-19)
14	0	1	F	Flange, Input
15	0423-393	2		Clamp, Boot
16	0402-954	1		Boot, Drive
17	0673-618	2	/P	Bumper, Propeller Shaft
18	0	1	F	Shaft, Propeller
19	0	1	F	Flange, Output
20	8408-820	4	/P	Screw, Cap

2002 ATV 400/500 MANUAL TRANSMISSION FIS (400 4X4 GREEN) (A20021844USG) of 100
REAR SUSPENSION ASSEMBLY



2002 ATV 400/500 MANUAL TRANSMISSION FIS (400 4X4 GREEN) (A2002IB400) Page 52 of 100
REAR SUSPENSION ASSEMBLY

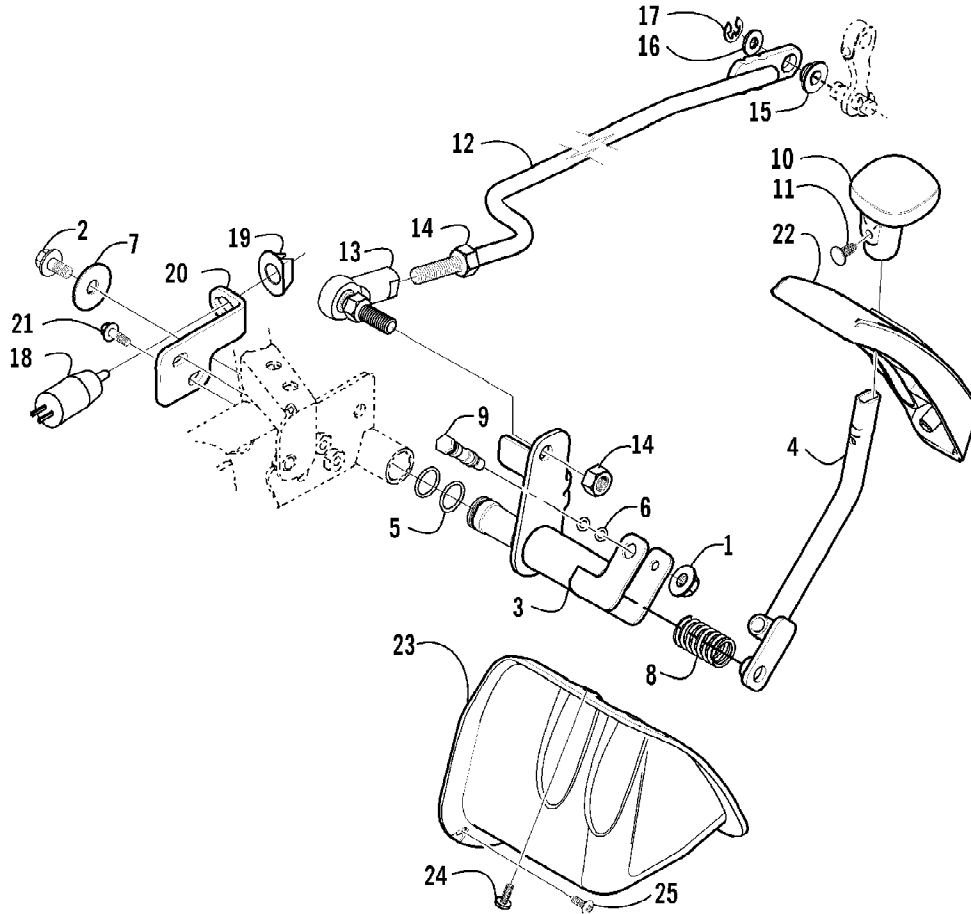
Ref #	Part Number	Qty	S/P/F	Description
1	0504-226	1	S	Knuckle, Right Rear - Assembly (inc. 2-6)
1	0504-227	1	S	Knuckle, Left Rear - Assembly (inc. 2-6)
2	0504-224	1	S	Knuckle - Right
2	0504-225	1	S	Knuckle - Left
3	0402-069	2		Seal
4	0402-089	2		Seal
5	0402-275	2	/P	Bearing, Wheel
6	0423-034	2		Clip, Bearing
7	0403-038	4	S/P	Collar, Suspension Bushing
8	0403-032	8	S	Bushing, Suspension
9	8409-000	4		Screw, Cap
10	8428-002	14		Nut, Lock
11	0504-228	1		A-Arm, Rear - Lower Right
11	0504-229	1		A-Arm, Rear - Lower Left
12	1406-068	1		Guard, Boot - Right
12	1406-069	1		Guard, Boot - Left
13	0402-907	2	S	Axle, Drive (inc. 14)
14	0441-400	2	S	Clip, Retaining
15	0504-232	1		Arm, Rear - Upper Right
15	0504-233	1		Arm, Rear - Upper Left
16	0404-045	2		Shock Absorber - Rear (inc. 17-19)
17	0604-310	8		Bushing, Shock Absorber
18	0403-028	2		Sleeve, Shock Absorber
19	0403-100	2		Retainer, Spring - Lower
20	1603-889	2	/P	Retainer, Spring
21	0404-046	2		Spring, Suspension
22	0423-087	2		Washer
23	8408-820	2	/P	Screw, Cap
24	8409-060	8		Screw, Cap
25	1406-071	1		Guard, Boot - Right
25	1406-072	1		Guard, Boot - Left
26	8409-040	2		Screw, Cap
27	0436-276	4	S	Repair Kit, Boot - Rear Axle
28	0423-101	6		Screw, Body
	0444-132	1	F	Wrench, Spanner - Rear Shock



2002 ATV 400/500 MANUAL TRANSMISSION FIS (400 4X4 GREEN) (A20021844510) Page 5 of 100
 RECOIL STARTER ASSEMBLY

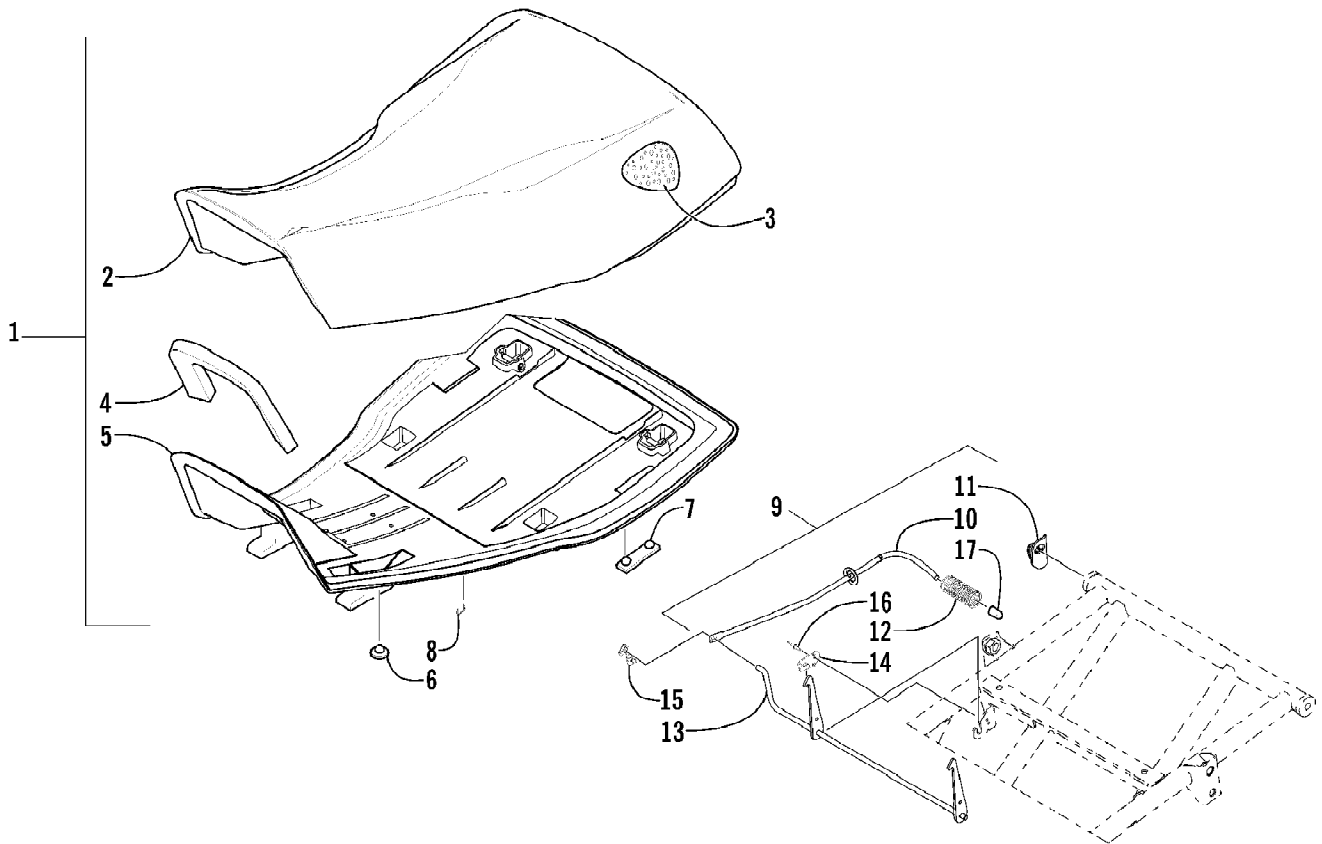
Ref #	Part Number	Qty	S/P/F	Description
1	3445-003	1		Starter, Recoil - Assembly (inc. 2-12)
2	3445-004	1		Reel
3	3445-016	1		Ratchet Assembly (inc. 4 and 6-10)
4	0	1	F	Pin, Ratchet
5	3445-007	1		Spring, Spiral
6	0	1	F	Spring, Friction
7	0	1	F	Shaft
8	0	1	F	Cover, Spring
9	0	1	F	Plate, Friction
10	0	1	F	Guide, Ratchet
11	3004-488	1	S/P	Nut
12	3445-011	1		Rope Assembly
13	3445-013	1	/P	Gasket
14	3423-112	4	S	Screw, Cap
15	3445-015	1		Cup, Starter
15	3445-026	1	S	Cup, Starter (500)
16	3004-491	1	S/P	Nut
17	3423-053	1	/P	O-Ring

2002 ATV 400/500 MANUAL TRANSMISSION FIS (400 4X4 GREEN) (A2002IB4050) Page 55 of 100
REVERSE SHIFT LEVER ASSEMBLY



2002 ATV 400/500 MANUAL TRANSMISSION FIS (400 4X4 GREEN) (A2002IB4053) Page 53 of 100
REVERSE SHIFT LEVER ASSEMBLY

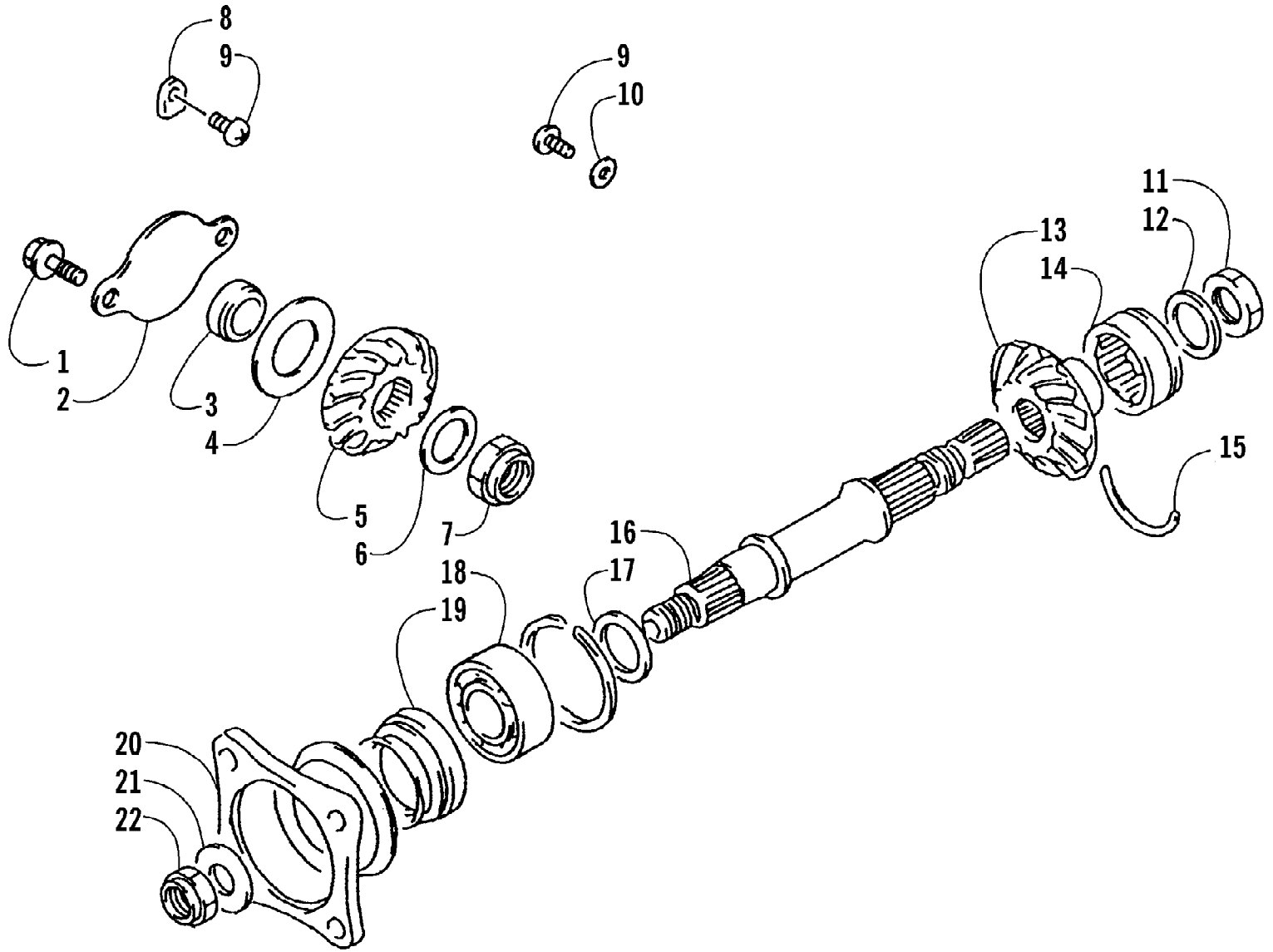
Ref #	Part Number	Qty	S/P/F	Description
1	8424-602	1	/P	Nut
2	8408-812	1		Screw, Cap
3	0502-237	1		Axle, Reverse Shift Lever
4	0502-185	1		Lever, Reverse Shift
5	0423-299	2	/P	O-Ring
6	0423-182	2	/P	O-Ring
7	0423-087	1		Washer
8	0402-678	1	/P	Spring, Lever
9	0402-675	1		Axle, Pivot
10	0402-843	1	/P	Handle, Lever
11	0423-345	1		Clip, Push
12	0502-238	1		Linkage, Shifting
13	0402-844	1		End, Rod
14	0623-294	2		Nut
15	0423-091	1		Bushing
16	8050-242	1		Washer
17	0423-063	1		E-Ring
18	0409-008	1		Reverse Switch
19	0402-168	1	/P	Retainer, Reverse Switch
20	0406-938	1	S	Bracket, Reverse Switch
21	8408-616	2		Screw, Cap
22	0402-847	1		Plate, Shift
23	0406-943	1		Shield, Linkage
24	0423-371	3		Screw, Machine
25	0623-309	1		Screw, Self-Tapping



2002 ATV 400/500 MANUAL TRANSMISSION FIS (400 4X4 GREEN) (A2002IBAG) of 100
SEAT ASSEMBLY

Ref #	Part Number	Qty	S/P/F	Description
1	0506-558	1		Seat Assembly (inc. 2-8)
2	0506-556	1		Cover, Seat
3	0506-555	1		Foam, Seat
4	1406-060	1		Foam, Sound
5	0406-878	1		Base, Seat Assembly (inc. 6-7)
6	0406-877	2	/P	Bumper, Seat - Front
7	0406-879	2		Bumper, Seat - Rear
8	0624-100	AR		Staple
9	0506-702	1	/P	Rod, Seat Release - Assembly (inc. 10-12)
10	0506-701	1	S	Rod, Seat Release
11	1406-004	1		Bracket, Seat Release
12	1406-005	1		Spring, Seat Release
13	0506-606	1		Latch, Seat
14	0406-923	1		Plate, Retainer
15	0423-358	1		Clip, Retainer
16	8060-284	1		Rivet
17	0623-404	1		Cap, Protector

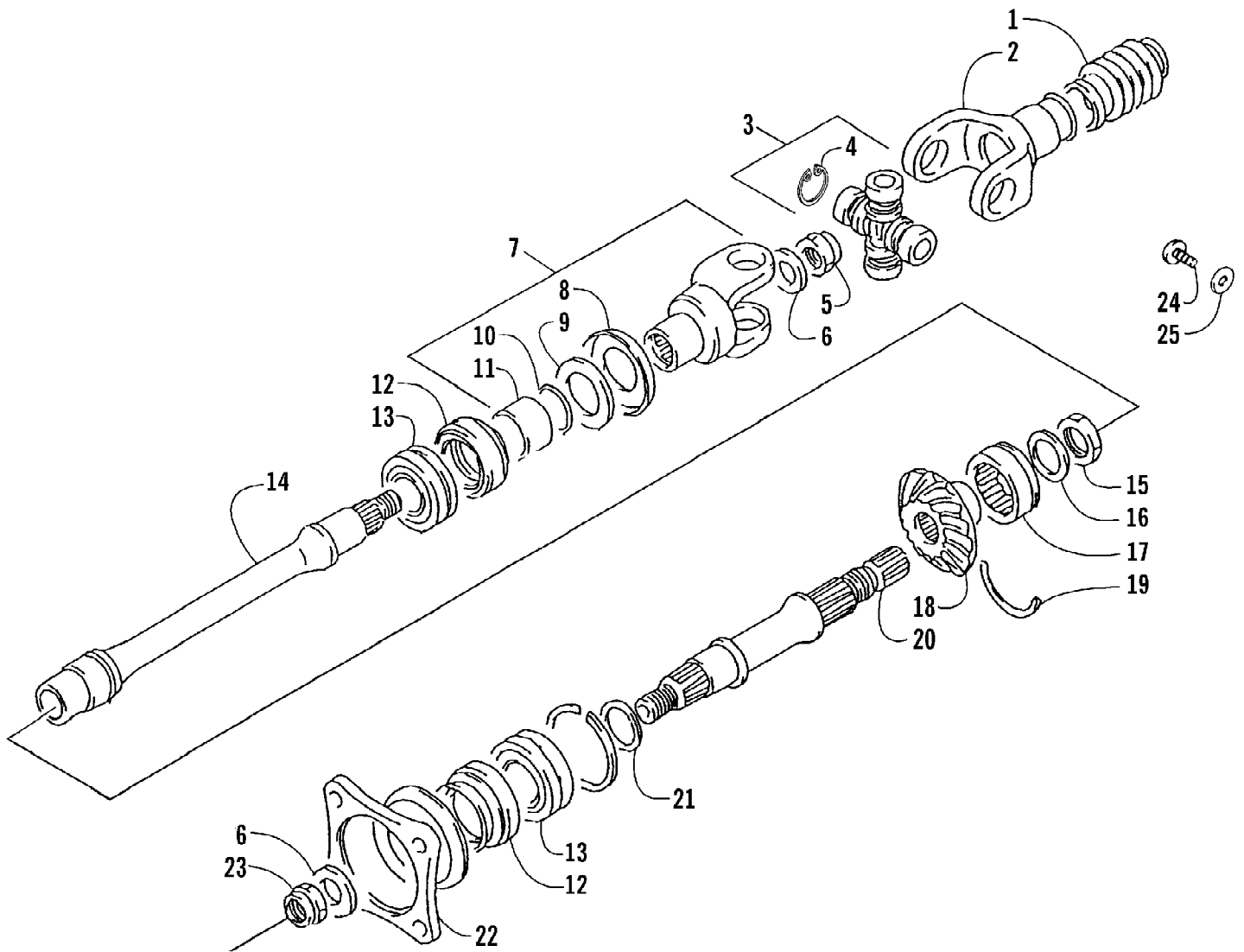
2002 ATV 400/500 MANUAL TRANSMISSION FIS (400 4X4 GREEN) (A20021844USG) Page 53 of 100
SECONDARY DRIVE ASSEMBLY



2002 ATV 400/500 MANUAL TRANSMISSION FIS (400 4X4 GREEN) (A2002IB4USG) Page 100
SECONDARY DRIVE ASSEMBLY

Ref #	Part Number	Qty	S/P/F	Description
1	3423-169	2		Bolt
2	3446-153	1		Retainer, Transfer Cover
3	3402-255	1		Plug, Transfer Cover Hole
4	3446-035	1		Shim
5	3446-221	1	S	Gear, Secondary Drive Bevel
6	3423-032	1		Washer
7	3423-023	1		Nut
8	3446-031	2	/P	Retainer, Secondary Driveshaft Bearing
9	3004-552	4	S	Screw
10	3423-135	2		Retainer
11	3423-136	1		Nut, Secondary Driven Gear
12	3423-137	1		Washer
13	3446-222	1	/P	Gear, Secondary Driven
14	3402-062	1	S	Bearing
15	3423-072	1		C-Ring
16	3446-037	1		Shaft - Rear
17	3402-017	AR		Shim, 25 x 34 x 0.60 mm
17	3402-018	AR		Shim, 25 x 34 x 0.65 mm
17	3402-019	AR		Shim, 25 x 34 x 0.70 mm
17	3402-020	AR		Shim, 25 x 34 x 0.75 mm
17	3402-021	AR	S	Shim, 25 x 34 x 0.80 mm
17	3402-022	AR		Shim, 25 x 34 x 0.85 mm
17	3402-023	AR		Shim, 25 x 34 x 0.90 mm
17	3402-024	AR		Shim, 25 x 34 x 0.95 mm
17	3402-025	AR	S	Shim, 25 x 34 x 1.00 mm
17	3402-028	AR		Shim, 25 x 34 x 1.05 mm
17	3402-029	AR		Shim, 25 x 34 x 1.10 mm
17	3402-030	AR		Shim, 25 x 34 x 1.15 mm
17	3402-031	AR		Shim, 25 x 34 x 1.20 mm
18	3402-067	1	S	Bearing w/Snap Ring
19	3402-072	1		Seal, Oil
20	3435-003	1	S	Flange, Output Joint
21	3423-028	1		Washer
22	3423-025	1		Nut

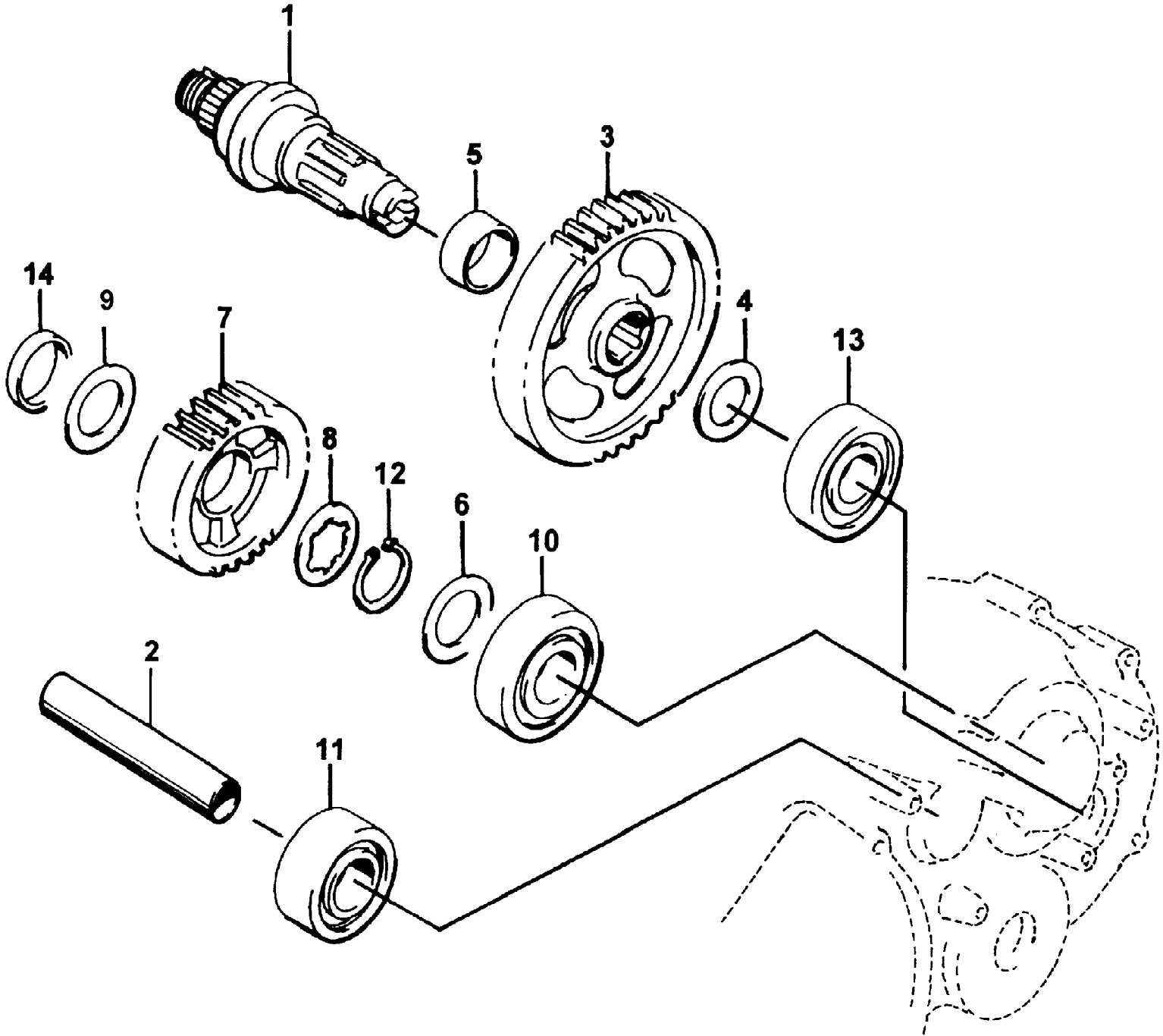
2002 ATV 400/500 MANUAL TRANSMISSION FIS (400 4X4 GREEN) (A20021846 US) of 100
SECONDARY DRIVE ASSEMBLY (4x4)



2002 ATV 400/500 MANUAL TRANSMISSION FIS (400 4X4 GREEN) (A20021844USG) Page 100 of 100
SECONDARY DRIVE ASSEMBLY (4x4)

Ref #	Part Number	Qty	S/P/F	Description
1	3402-518	1	S	Boot, Propeller Shaft
2	3435-002	1		Yoke, Propeller Shaft
3	3435-011	1		Joint Set, Universal (inc. 4)
4	3423-067	4		Circlip
5	3423-025	1		Nut
6	3423-028	2		Washer, Rear Output Flange
7	3435-001	1	S	Yoke, Drive Output (inc. 8-11)
8	3423-035	1		Plate, Yoke Collar
9	3435-030	1		Plate, Yoke Collar
10	3423-060	1		O-Ring, Yoke Collar
11	3435-029	1		Collar, Yoke
12	3402-072	2		Seal, Oil
13	3402-067	2	S	Bearing w/Locating Ring and Pin
14	3446-239	1		Shaft - Front
15	3423-136	1		Nut
16	3423-137	1		Washer
17	3402-062	1	S	Bearing w/Groove
18	3446-222	1	/P	Gear
19	3423-072	1		C-Ring, Bearing
20	3446-240	1	S	Shaft - Rear
21	3402-017	AR		Shim, 25 x 34 x 0.60 mm
21	3402-018	AR		Shim, 25 x 34 x 0.65 mm
21	3402-019	AR		Shim, 25 x 34 x 0.70 mm
21	3402-020	AR		Shim, 25 x 34 x 0.75 mm
21	3402-021	AR	S	Shim, 25 x 34 x 0.80 mm
21	3402-022	AR		Shim, 25 x 34 x 0.85 mm
21	3402-023	AR		Shim, 25 x 34 x 0.90 mm
21	3402-024	AR		Shim, 25 x 34 x 0.95 mm
21	3402-025	AR	S	Shim, 25 x 34 x 1.00 mm
21	3402-028	AR		Shim, 25 x 34 x 1.05 mm
21	3402-029	AR		Shim, 25 x 34 x 1.10 mm
21	3402-030	AR		Shim, 25 x 34 x 1.15 mm
21	3402-031	AR		Shim, 25 x 34 x 1.20 mm
22	3435-003	1	S	Flange, Output Joint
23	3423-025	1		Nut, Front Drive Bevel Gear
24	3004-552	1	S	Screw, Cap
25	3423-135	1		Retainer, Bearing

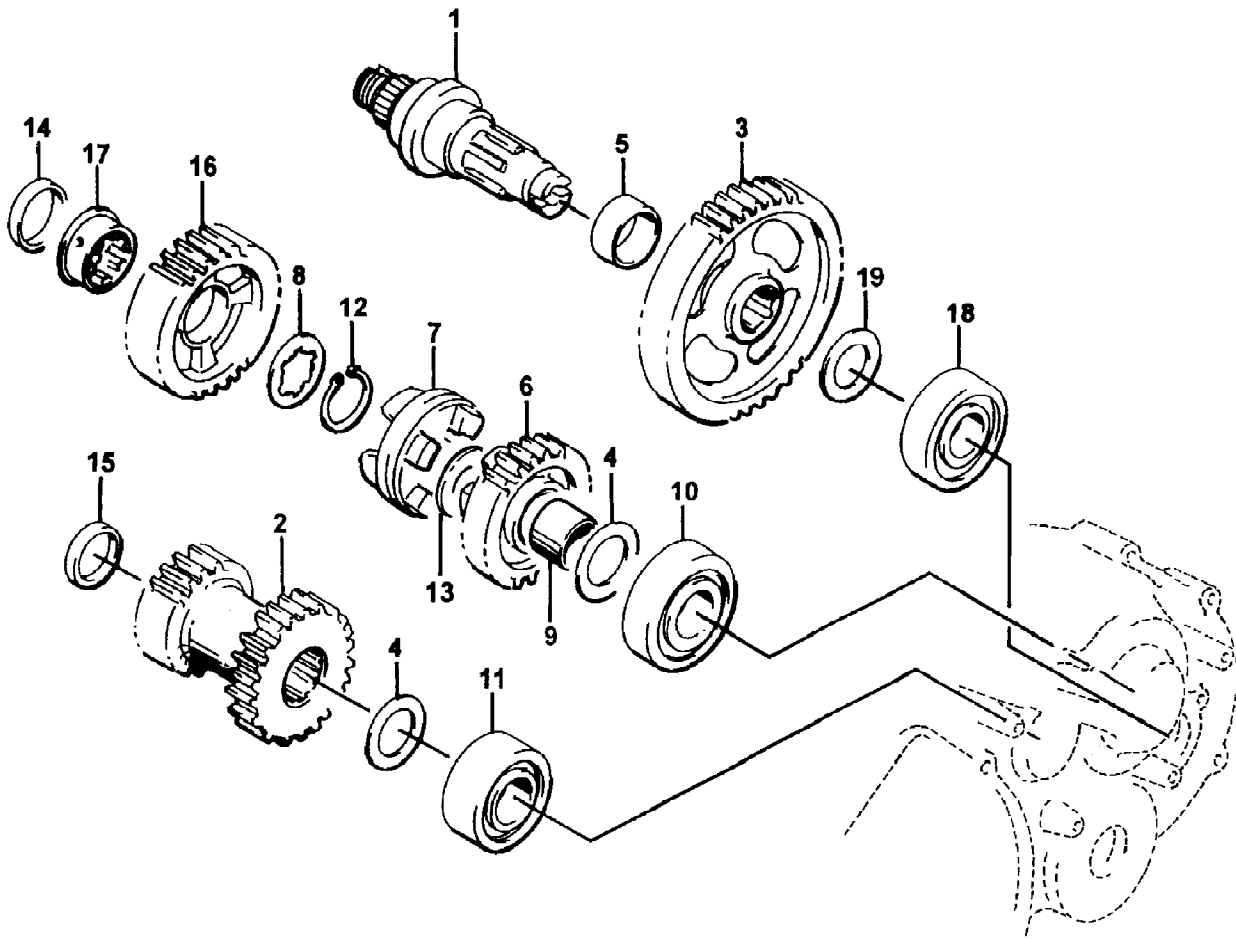
2002 ATV 400/500 MANUAL TRANSMISSION FIS (400 4X4 GREEN) (A20021846 US) Page 13 of 100
SECONDARY TRANSMISSION ASSEMBLY



2002 ATV 400/500 MANUAL TRANSMISSION FIS (400 4X4 GREEN) (A20021844USG) Page 13 of 100
SECONDARY TRANSMISSION ASSEMBLY

Ref #	Part Number	Qty	S/P/F	Description
1	3446-224	1	S	Shaft, Output
2	3446-109	1		Spacer, Idle Gear
3	3446-072	1		Gear, Driven
4	3423-150	1	/P	Washer
5	3402-015	1		Spacer
6	3402-194	1		Washer
7	3446-110	1		Gear No. 1 - Driveshaft
8	3423-036	1		Washer
9	3423-209	1		Washer
10	3402-046	1		Bearing
11	3402-047	1	S	Bearing
12	3423-066	1	/P	Circlip
13	3402-045	1	/P	Bearing
14	3446-068	1		Spacer

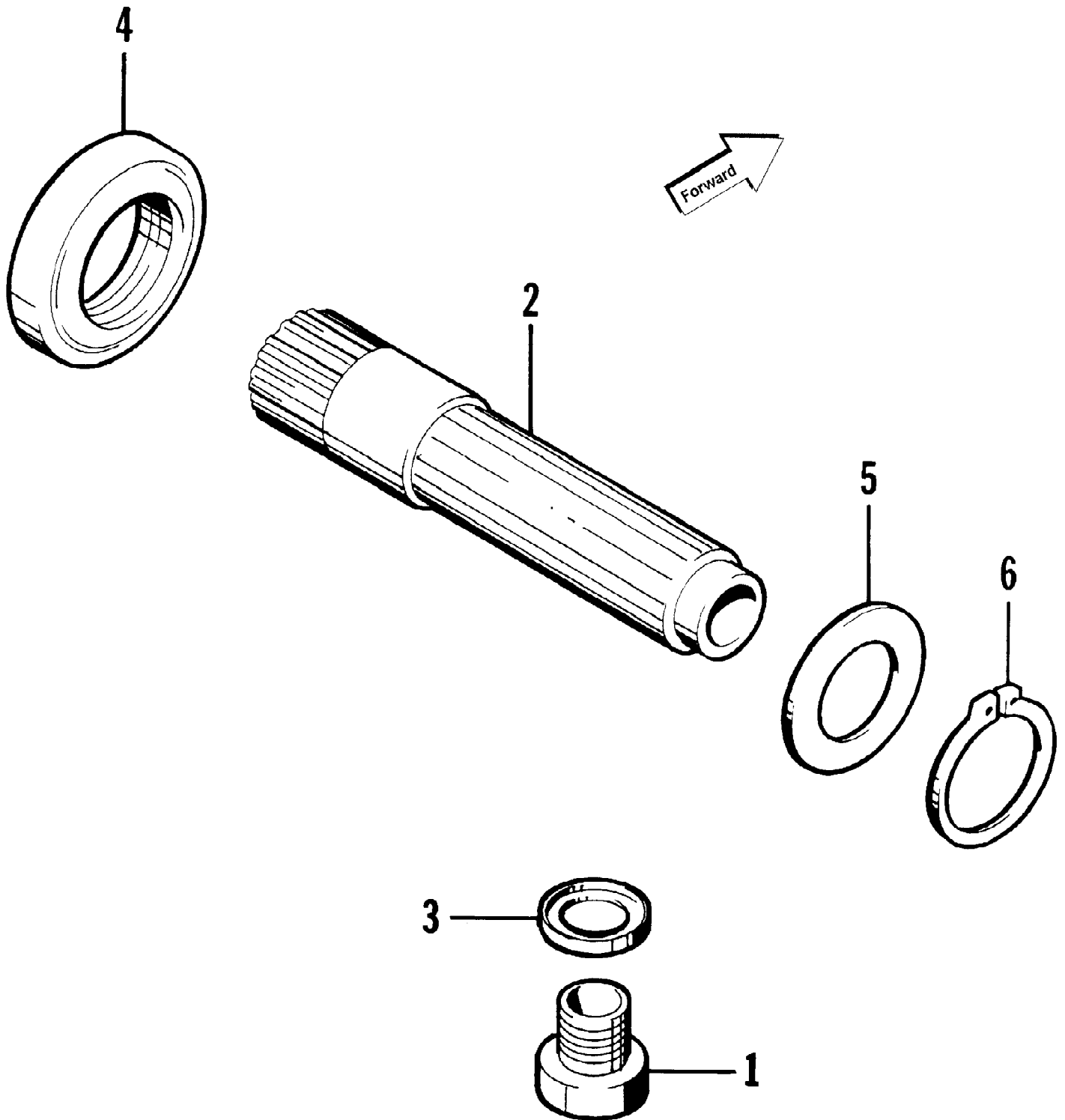
2002 ATV 400/500 MANUAL TRANSMISSION FIS (400 4X4 GREEN) (A20021844 US) Page 15 of 100
SECONDARY TRANSMISSION ASSEMBLY (4x4)



2002 ATV 400/500 MANUAL TRANSMISSION FIS (400 4X4 GREEN) (A2002IB4050) Page 15 of 100
SECONDARY TRANSMISSION ASSEMBLY (4x4)

Ref #	Part Number	Qty	S/P/F	Description
1	3446-262	1	/P	Shaft, Output
2	3446-066	1		Gear, Idle
3	3446-072	1		Gear, Driven
4	3423-150	2	/P	Washer
4	3402-381	2	/P	Washer (500)
5	3402-015	1		Spacer
6	3446-070	1		Gear No. 2 - Driveshaft
6	3446-248	1		Gear No. 2 - Driveshaft (500)
7	3446-108	1		Dog, Select Sliding
7	3446-249	1		Dog, Select Sliding (500)
8	3423-036	1		Washer
9	3446-103	1		Bushing
10	3402-046	1		Bearing, Driveshaft - Left
11	3402-047	1	S	Bearing, Countershaft - Left
12	3423-066	1	/P	Circlip No. 1
13	3423-126	1	/P	Washer, Gear No. 2
13	3402-195	1		Washer, Gear No. 2 (500)
14	3446-068	1		Spacer
14	3446-246	1		Spacer (500)
15	3423-148	1		Spacer, Idle Gear
16	3446-067	1		Gear No. 1 - Driveshaft
16	3446-245	1		Gear No. 1 - Driveshaft (500)
17	3446-069	1	S	Bushing
17	3446-247	1		Bushing (500)
18	3402-045	1	/P	Bearing Set - Left
19	3423-150	1	/P	Washer

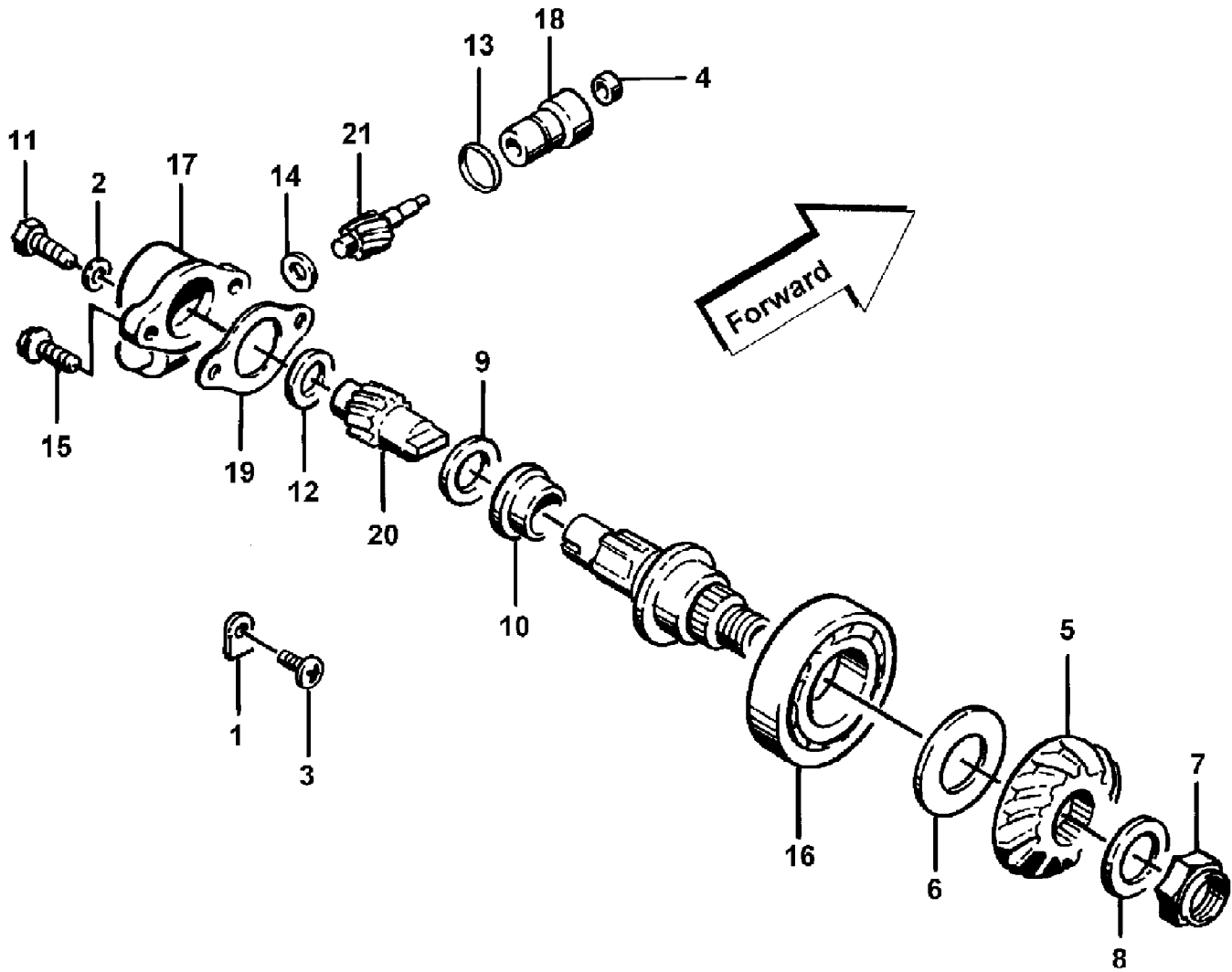
2002 ATV 400/500 MANUAL TRANSMISSION FIS (400 4X4 GREEN) (A20021844USG) Page 15 of 100
SHIFTER ASSEMBLY (2x4)



2002 ATV 400/500 MANUAL TRANSMISSION FIS (400 4X4 GREEN) (A20021844USG) Page 100 of 100
SHIFTER ASSEMBLY (2x4)

Ref #	Part Number	Qty	S/P/F	Description
1	3446-046	1		Plug, Oil
2	3446-225	1		Guide, Gear Shift Shaft
3	3402-012	1		Gasket, Oil Plug
4	3402-071	1	/P	Seal, Oil
5	3005-167	1		Washer, Thrust
6	3423-193	1	S/P	Circlip

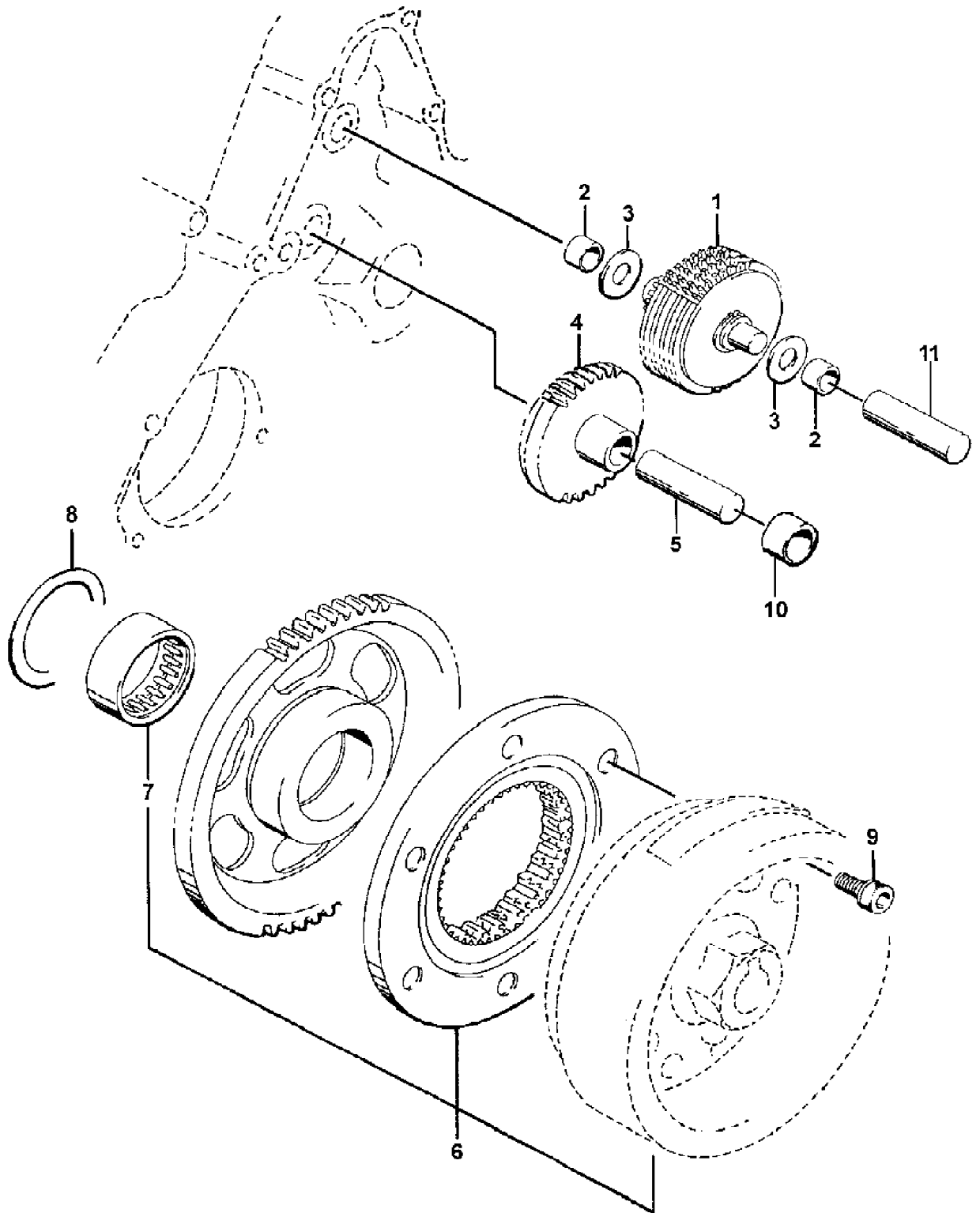
2002 ATV 400/500 MANUAL TRANSMISSION FIS (400 4X4 GREEN) (A20021844 US) Page 13 of 100
SPEEDOMETER DRIVE ASSEMBLY (4x4)



2002 ATV 400/500 MANUAL TRANSMISSION FIS (400 4X4 GREEN) (A2002184453) Page 53 of 100
 SPEEDOMETER DRIVE ASSEMBLY (4x4)

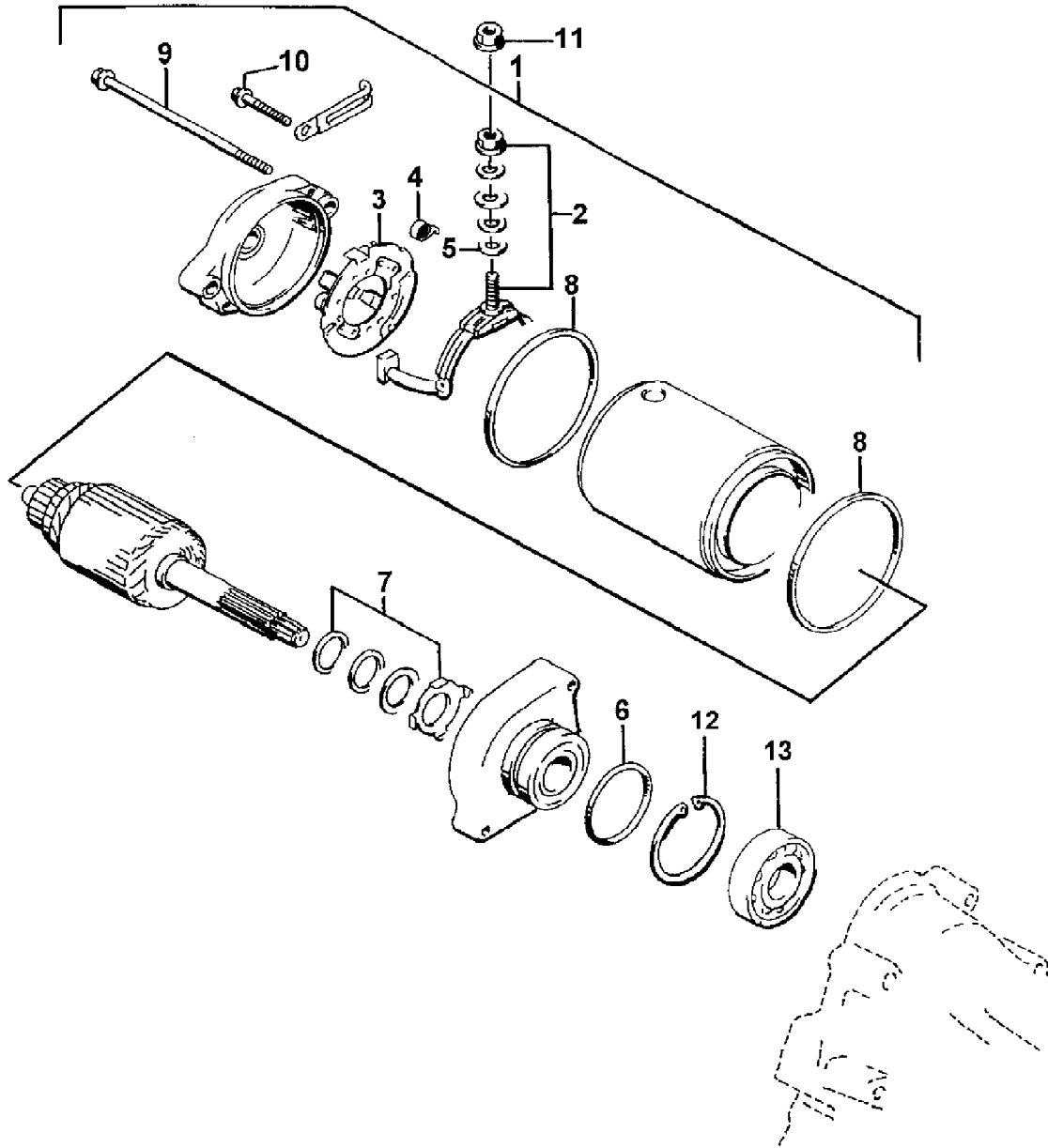
Ref #	Part Number	Qty	S/P/F	Description
1	3446-031	2	/P	Retainer, Bearing
2	3402-009	1	/P	Washer, Drive
3	3004-552	2	S	Screw, Retainer
4	3402-077	1		Seal, Driven Gear
5	3446-221	1	S	Gear
6	3446-035	1		Shim Set
7	3423-023	1		Nut
8	3423-032	1		Washer
9	3423-146	1		Washer - Right
10	3446-114	1	/P	Spacer, Drive Gear
11	3423-143	1	S	Bolt, Gear
12	3423-145	1		Washer
13	3423-056	1		O-Ring
14	3423-144	1		Washer
15	3423-346	2	S	Bolt, Housing
16	3402-180	1	S	Bearing Set - Right
17	3446-057	1		Housing, Speedometer Gear
18	3446-058	1		Sleeve
19	3446-244	1	/P	Gasket
20	3446-060	1		Gear, Drive
21	3446-061	1		Gear, Driven

2002 ATV 400/500 MANUAL TRANSMISSION FIS (400 4X4 GREEN) (A20021846USG) of 100
STARTER CLUTCH ASSEMBLY



2002 ATV 400/500 MANUAL TRANSMISSION FIS (400 4X4 GREEN) (A2002184452) Page 52 of 100
STARTER CLUTCH ASSEMBLY

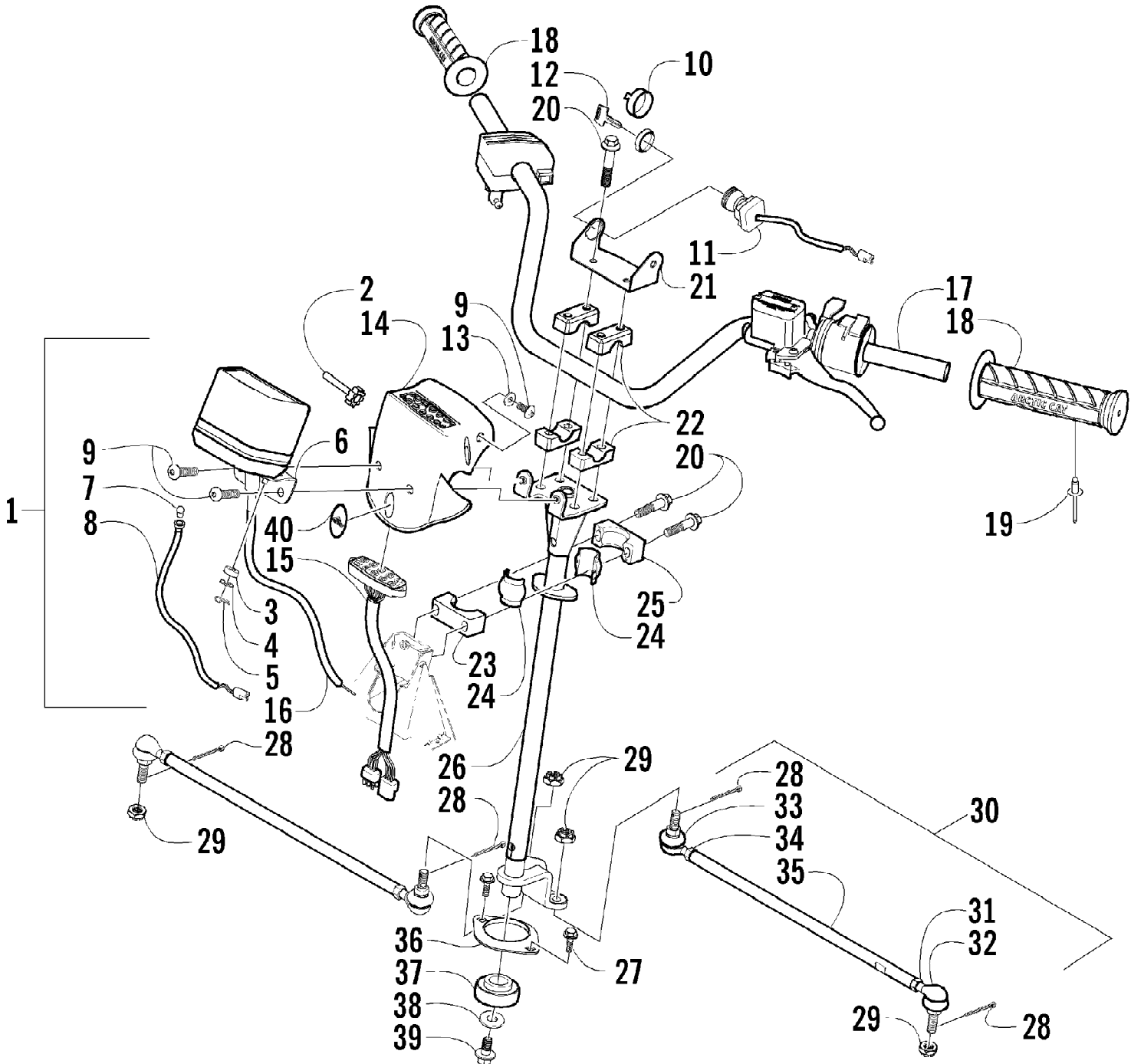
Ref #	Part Number	Qty	S/P/F	Description
1	3402-344	1	S	Gear, Starter Idler - No. 1 (400)
1	3402-123	1		Gear, Starter Idler - No. 1 (500)
2	3402-125	2		Bushing (500)
3	3423-103	2	/P	Washer (500)
4	3402-124	1		Gear, Starter Idler - No. 2 (400)
4	3402-349	1		Gear, Starter Idler - No. 2 (500)
5	3423-042	1		Pin
6	3402-380	1	/P	Clutch, Starter - Set (inc. 7)
7	3402-063	1		Bearing
8	3423-104	1		Washer
9	3423-102	6	S	Screw, Cap
10	3423-352	1		Spacer (500)
11	3423-331	1		Pin (400)



2002 ATV 400/500 MANUAL TRANSMISSION FIS (400 4X4 GREEN) (A20021844510) Page 5 of 100
 STARTER MOTOR ASSEMBLY

Ref #	Part Number	Qty	S/P/F	Description
1	3545-012	1	S	Motor, Starter Assembly (inc. 2-9)
1	3545-014	1	/P	Motor, Starter Assembly (inc. 2-9) (500)
2	3008-094	1	/P	Terminal Set, Brush
3	3008-095	1	/P	Holder Set, Brush
4	3008-096	4		Spring, Brush
5	3008-164	1		O-Ring
6	3423-084	1		O-Ring
7	3436-001	1		Washer Set
8	3008-553	2	/P	O-Ring
9	3423-085	2		Screw, Cap
10	3423-162	2	S	Screw, Cap
11	3423-195	1	/P	Nut
12	3423-201	1	/P	Circlip
13	3402-043	1	/P	Bearing, Pinion Shaft

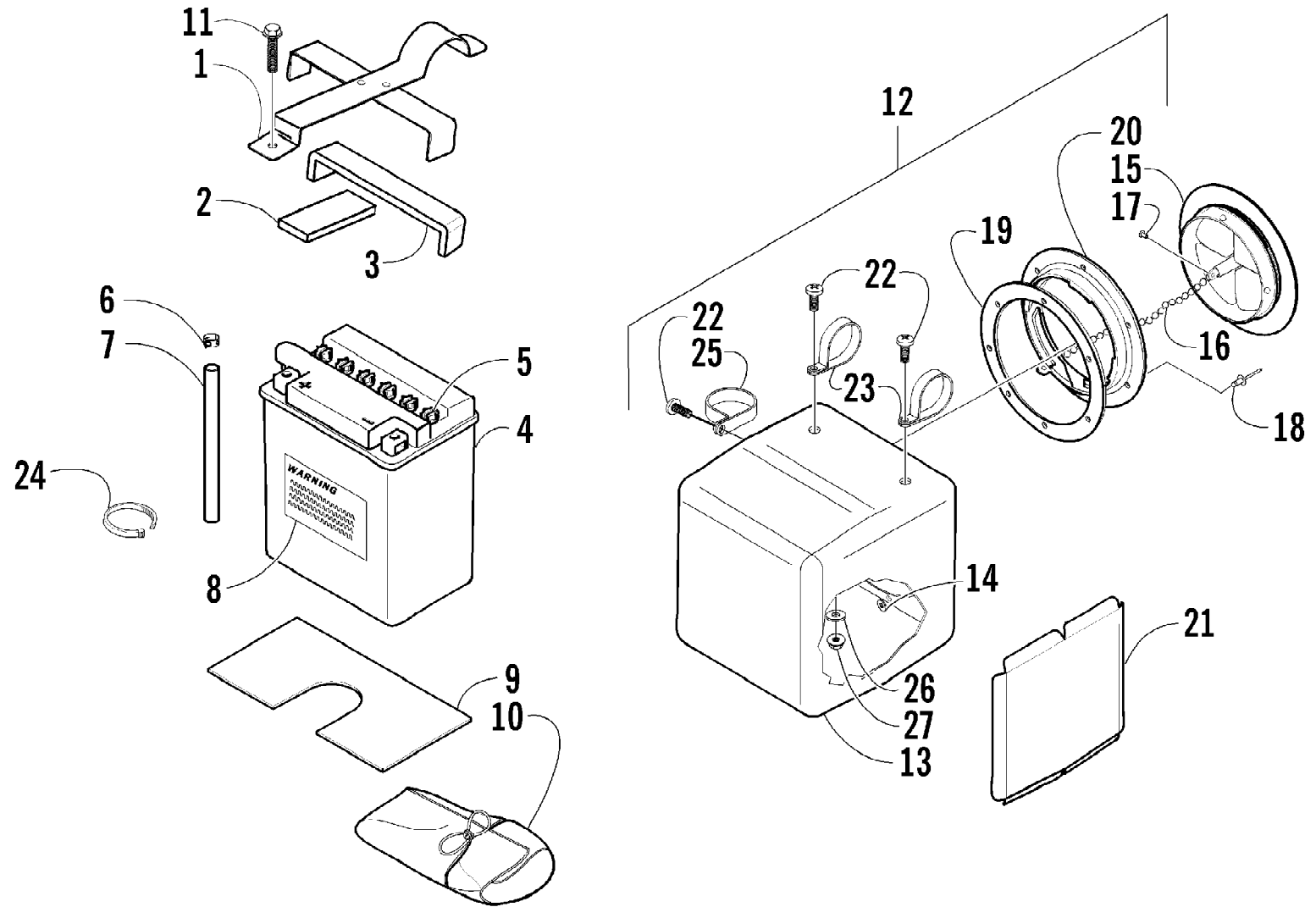
2002 ATV 400/500 MANUAL TRANSMISSION FIS (400 4X4 GREEN) (A20021849 USG) of 100
STEERING ASSEMBLY



2002 ATV 400/500 MANUAL TRANSMISSION FIS (400 4X4 GREEN) (A2002IB4053) Page 53 of 100
STEERING ASSEMBLY

Ref #	Part Number	Qty	S/P/F	Description
1	0420-031	1	/P	Speedometer (inc. 2-8) (4x4)
2	0420-027	1		Knob, Speedometer Trip (4x4)
3	0420-016	2		Mount, Rubber (4x4)
4	0420-017	2		Washer (4x4)
5	0420-015	2		Pin, Retainer (4x4)
6	0420-018	1		Bracket, Speedometer (4x4)
7	0620-149	1	/P	Bulb, Speedometer (4x4)
8	0420-014	1		Harness, Speedometer (4x4)
9	8477-616	3		Screw, Machine
10	0409-013	1		Cover, Key
11	3430-040	1		Switch, Ignition - Assembly (inc. 12)
12	3409-007	1	/P	Key, Ignition - Blank (C Series)
12	3409-011	1		Key, Ignition - Blank (D Series)
12	3409-012	1		Key, Ignition - Blank (E Series)
12	3409-013	1		Key, Ignition - Blank (F Series)
13	0423-052	1		Collar, Body
14	0405-063	1		Instrument Pod
15	0420-034	1	/P	Panel, LED
16	0487-026	1		Cable, Speedometer (4x4)
17	0505-406	1	S/P	Tube, Handlebar
18	0405-039	2	/P	Grip, Handlebar
19	8060-428	2		Rivet
20	8408-860	6		Screw, Cap
21	0506-348	1	/P	Bracket, Key Switch
22	0405-035	4		Cap, Steering Adjuster
23	0605-171	1		Housing, Bearing - Lower
24	0405-020	2		Bearing, Steering Post
25	0605-147	1	S	Housing, Bearing - Upper
26	0505-409	1	S	Post, Steering
27	8408-816	2		Screw, Cap
28	0623-175	4		Pin, Cotter
29	0423-157	4		Nut, Top Lock
30	0505-408	2	S	Tie Rod, Assembly (inc. 31-35)
31	8420-002	2	/P	Nut - Right
32	0405-082	2	S	Ball Joint, Tie Rod - Right
33	0405-083	2	S	Ball Joint, Tie Rod - Left
34	0423-013	2		Nut - Left
35	0405-107	2	S	Tie Rod
36	0602-233	1		Flange, Bearing
37	0405-052	1		Bearing w/Inverted Oil Seal
38	0423-073	1		Washer
39	8409-020	1	/P	Screw, Cap
40	0405-042	1		Plug, Instrument Pod (2x4)

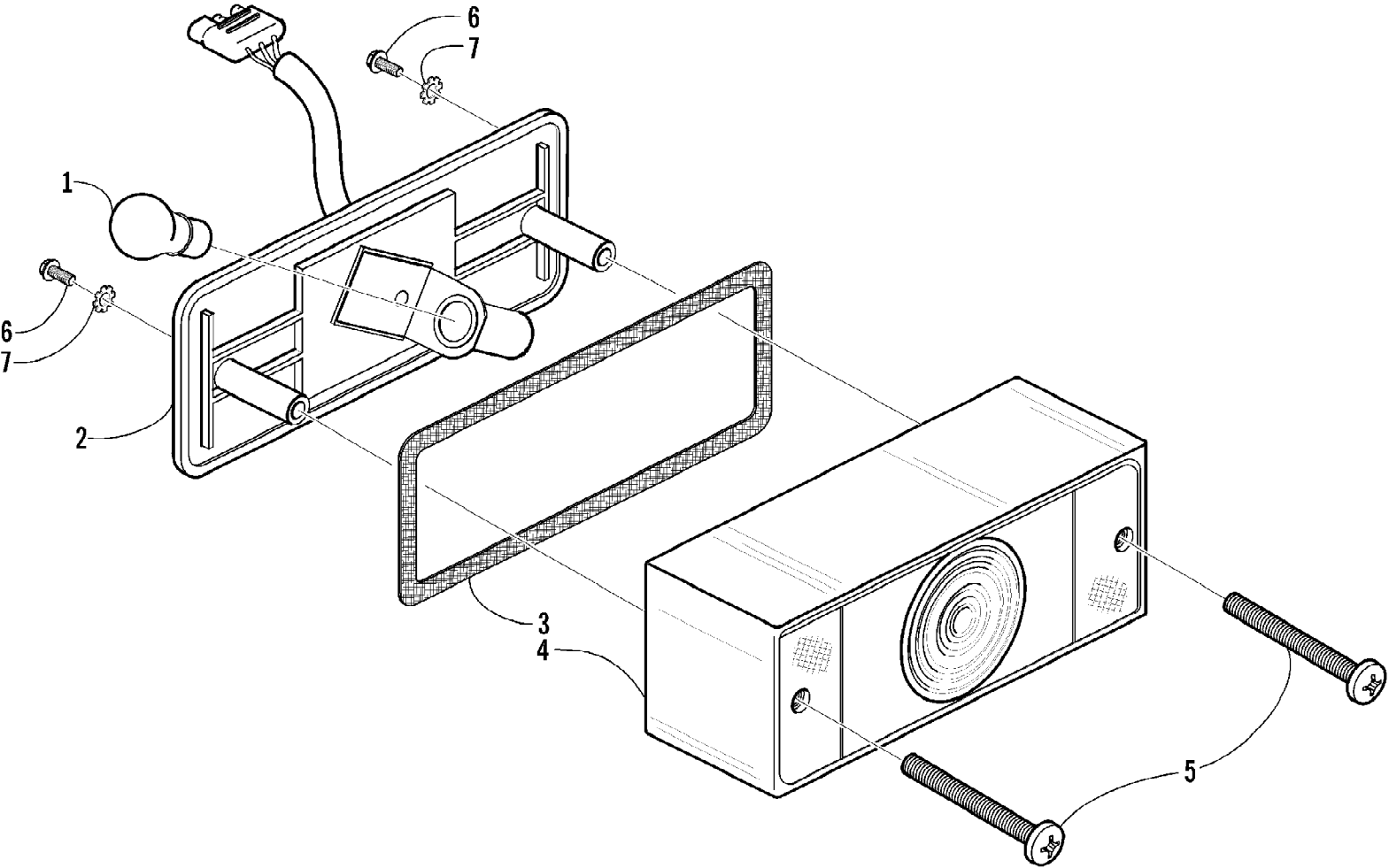
2002 ATV 400/500 MANUAL TRANSMISSION FIS (400 4X4 GREEN) (A20021846USG) of 100
STORAGE BOX AND BATTERY ASSEMBLY



2002 ATV 400/500 MANUAL TRANSMISSION FIS (400 4X4 GREEN) (A2002IBAGUSG) Page 100 of 100
STORAGE BOX AND BATTERY ASSEMBLY

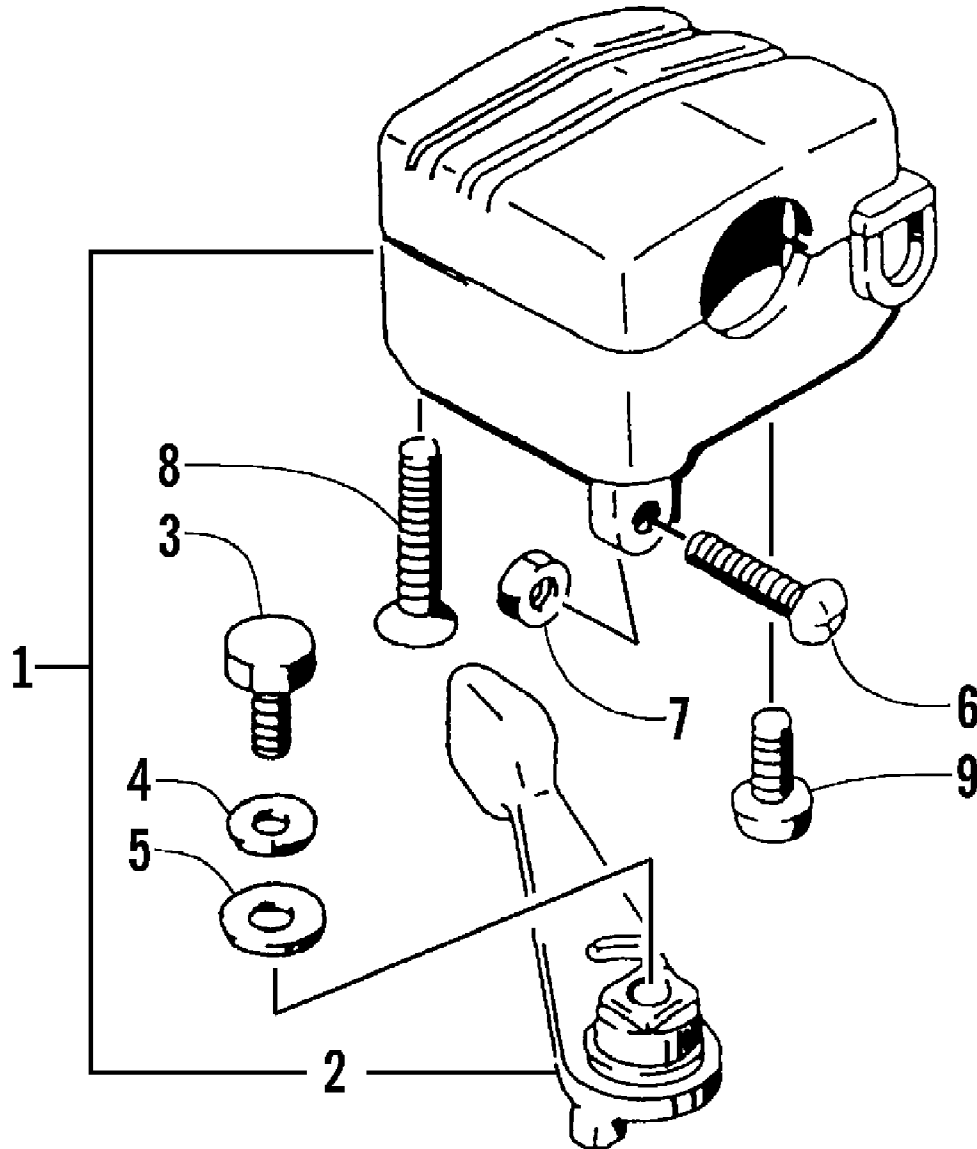
Ref #	Part Number	Qty	S/P/F	Description
1	0506-178	1		Strap, Battery w/Pads (inc. 2-3)
2	0406-288	1		Pad, Battery - Upper Front
3	0406-289	1		Pad, Battery - Upper Rear
4	0445-005	1	S	Battery Assembly (inc. 5-8)
5	0645-045	6		Cap, Battery
6	0645-152	1		Clamp, Hose
7	0645-263	1	/P	Hose, Battery Vent
8	0645-151	1		Label, Warning - Battery
9	0406-227	1		Pad, Battery - Lower
10	0444-122	1	S/P	Kit, Tool
11	8477-616	1		Screw, Machine
12	0506-794	1		Storage Box - Assembly (inc. 13-21)
13	1406-099	1		Box, Storage
14	0123-802	6		Washer
15	0406-208	1		Cover, Storage Box
16	0773-401	1		Chain, Cover
17	8061-223	2	/P	Rivet
18	8060-630	6		Rivet
19	0673-973	1		Seal, Cover
20	0406-205	1	/P	Ring, Mounting - Storage Box Cover
21	0412-169	1		Shield, Heat
22	8476-620	3		Screw, Machine
23	0423-044	2		Clamp, Tube
24	0123-903	2		Cable Tie - 11.5 in.
25	0423-403	1		Clamp, Tube
26	0623-184	3		Washer
27	0623-038	3		Nut

2002 ATV 400/500 MANUAL TRANSMISSION FIS (400 4X4 GREEN) (A20021844 USG) of 100
TAILLIGHT ASSEMBLY



2002 ATV 400/500 MANUAL TRANSMISSION FIS (400 4X4 GREEN) (A2002184453) Page 53 of 100
TAILLIGHT ASSEMBLY

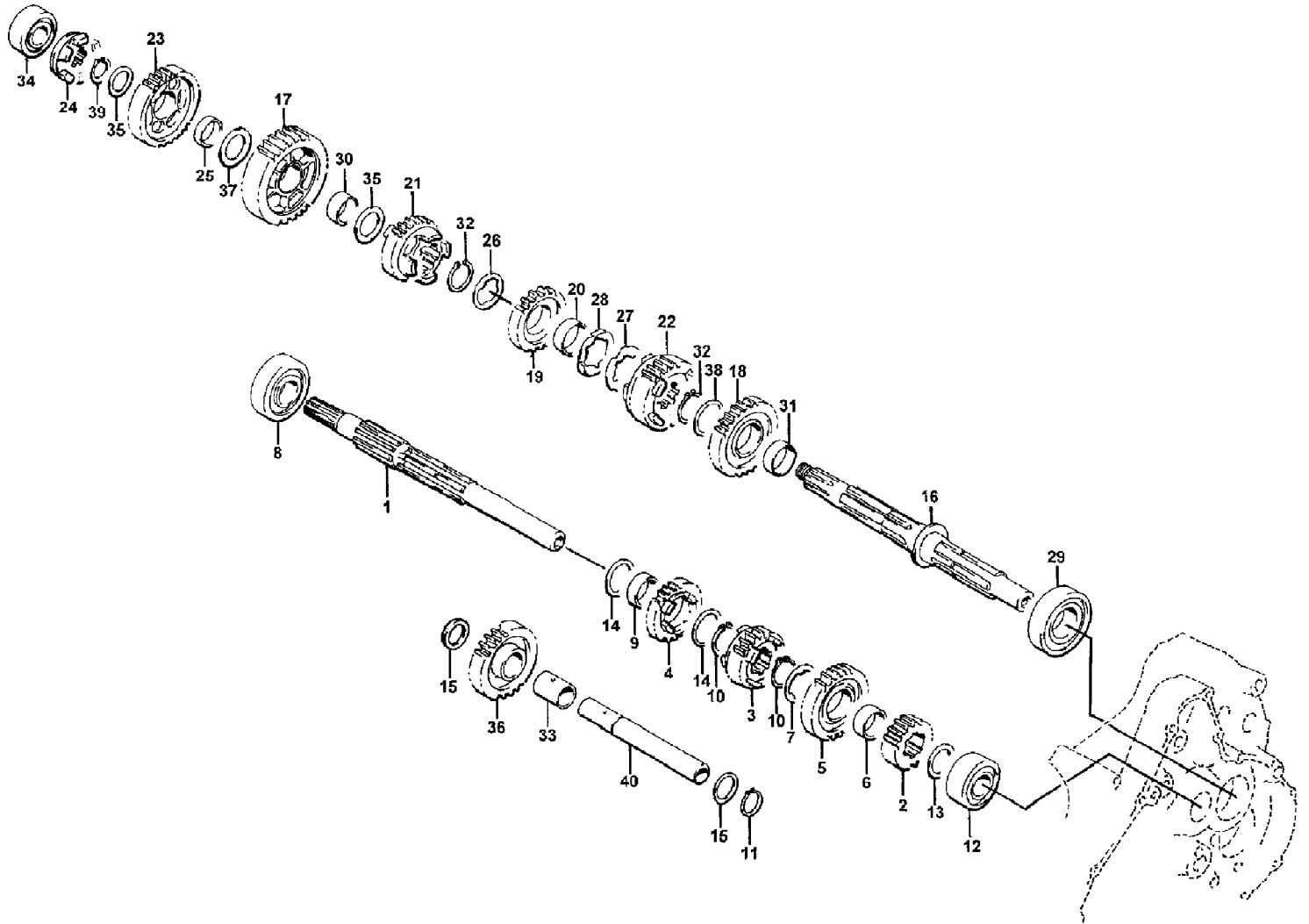
Ref #	Part Number	Qty	S/P/F	Description
	0409-002	1		Complete Taillight Assembly
1	0109-460	1	/P	Bulb, Stop/Taillight
2	0409-011	1		Taillight w/Socket Assembly
3	0409-012	1		Gasket, Taillight Lens
4	0409-007	1		Lens, Taillight
5	0409-010	2		Screw, Machine
6	0623-301	2	/P	Screw, Self-Tapping
7	8053-212	2	/P	Washer, Lock - External Tooth



2002 ATV 400/500 MANUAL TRANSMISSION FIS (400 4X4 GREEN) (A20021844) Page 82 of 100
THROTTLE CASE ASSEMBLY

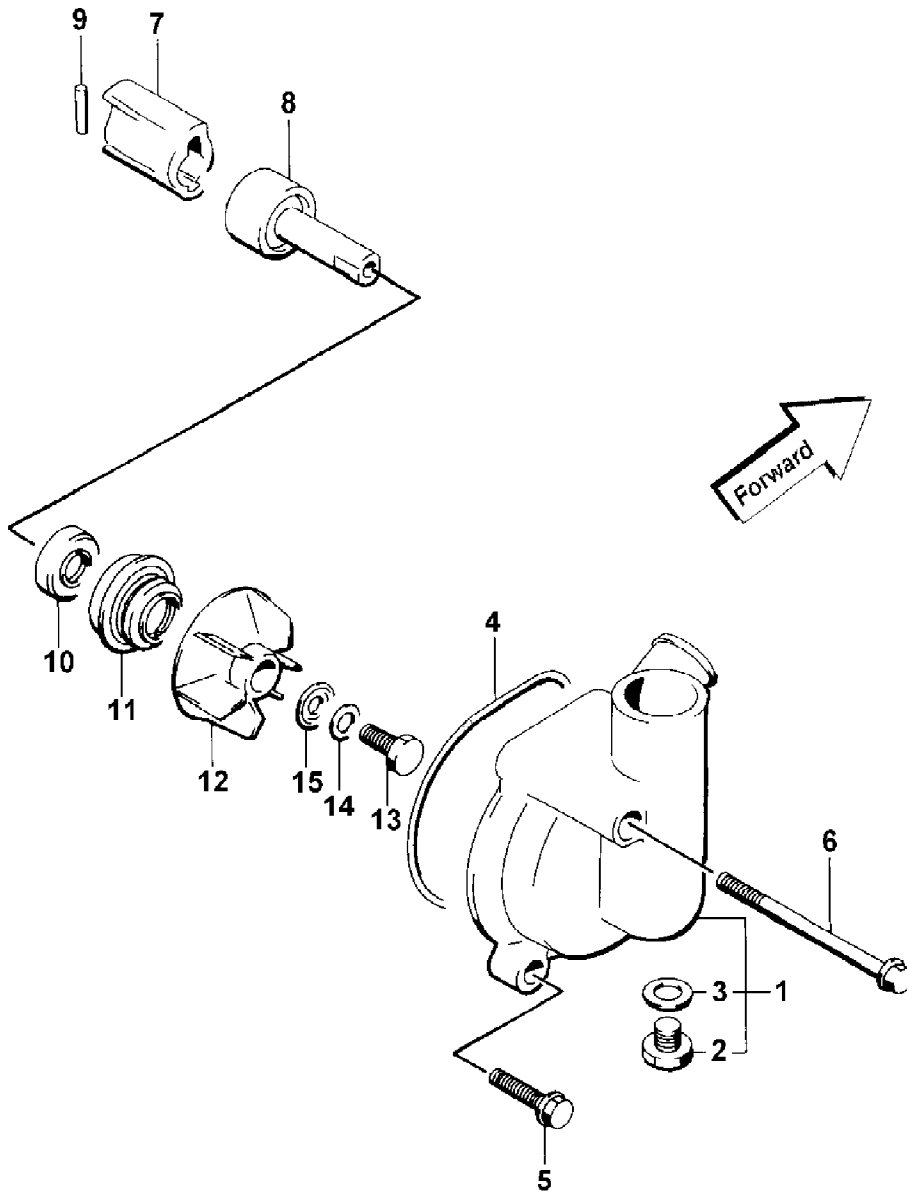
Ref #	Part Number	Qty	S/P/F	Description
1	3509-003	1	/P	Case, Throttle - Assembly (inc. 2-9)
2	3409-001	1		Lever
3	3004-533	1	S/P	Screw, Cap
4	3004-447	1	/P	Washer, Lock
5	3003-030	1	/P	Washer
6	3423-014	1		Screw
7	3423-327	1		Nut
8	3423-199	2		Screw
9	3004-638	1	/P	Screw

2002 ATV 400/500 MANUAL TRANSMISSION FIS (400 4X4 GREEN) (A20021844USG) Page 100
TRANSMISSION ASSEMBLY



2002 ATV 400/500 MANUAL TRANSMISSION FIS (400 4X4 GREEN) (A20021846) (Page 13 of 100)
TRANSMISSION ASSEMBLY

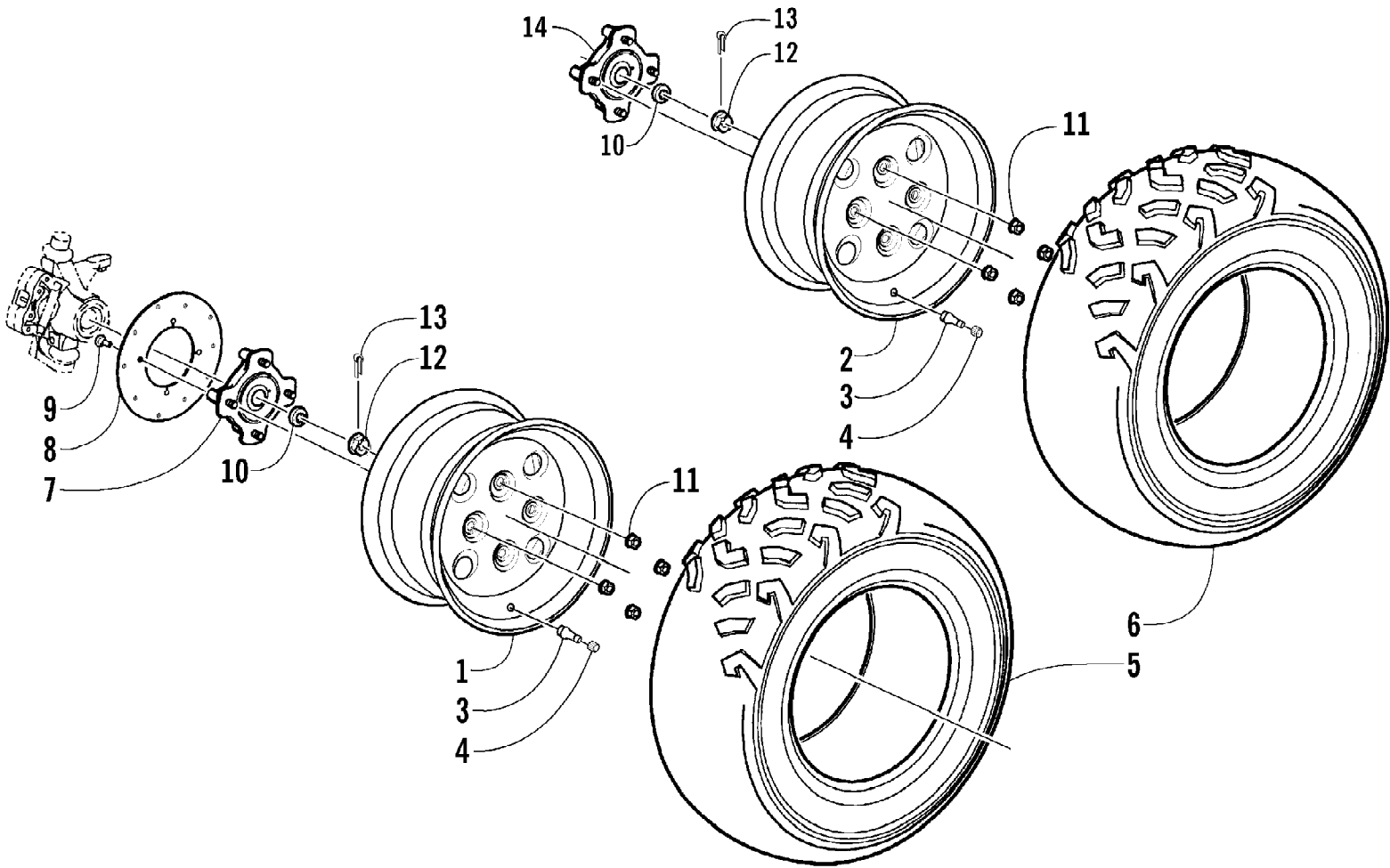
Ref #	Part Number	Qty	S/P/F	Description
1	3446-014	1		Countershaft
2	3446-016	1		Gear, 2nd Drive
3	3446-215	1		Gear, 3rd Drive
4	3446-018	1		Gear, 4th Drive
5	3446-216	1		Gear, 5th Drive
6	3446-020	1		Bushing, 5th Drive Gear
7	3423-037	1		Washer, 5th Drive Gear
8	3402-050	1		Bearing, Countershaft - Right
9	3402-081	1		Bushing, 4th Drive Gear
10	3423-066	2	/P	Circlip, 4th Drive Gear
11	3423-190	1	S	Circlip, Reverse Idle
12	3402-179	1		Bearing, Countershaft
13	3402-195	1		Shim
14	3423-187	2	/P	Washer, 4th Drive
15	3423-126	2	/P	Washer, Reverse Idle
16	3446-015	1		Driveshaft
16	3446-234	1		Driveshaft (500)
17	3446-217	1	S	Gear, 1st Driven
17	3446-235	1	/P	Gear, 1st Driven (500)
18	3446-022	1		Gear, 2nd Driven
19	3446-218	1		Gear, 3rd Driven
20	3446-024	1		Bushing, 3rd Driven
21	3446-219	1	/P	Gear, 4th Driven
22	3446-220	1		Gear, 5th Driven
23	3446-029	1		Gear, Reverse Driven
24	3446-030	1		Dog, Reverse
25	3446-032	1		Bushing, Reverse Driven
26	3423-038	1		Washer, 3rd Driven - Right
27	3423-039	1		Washer, 3rd Driven - Left
28	3423-040	1		Washer, 3rd Driven - Left
29	3402-336	1		Bearing, Driveshaft
30	3402-080	1	S	Bushing, 1st Driven
31	3402-082	1		Bushing, 2nd Driven
32	3423-188	2	S	Circlip, 2nd Driven
33	3402-079	1		Bushing, Reverse Idle
33	3446-238	1		Bushing, Reverse Idle (4x4)
34	3003-320	1	/P	Bearing, Driveshaft - Right
35	3402-335	2		Washer, Reverse Driven
36	3446-028	1		Gear, Reverse Idle
36	3446-237	1		Gear, Reverse Idle (4x4)
37	3423-131	1		Washer, 1st Driven - Right
38	3003-605	1	/P	Washer, 2nd Driven
38	3402-383	1		Washer, 2nd Driven (500)
39	3423-189	1	S	Circlip, Reverse Driven
40	3446-027	1		Shaft, Reverse Idle
40	3446-236	1		Shaft, Reverse Idle (4x4)



2002 ATV 400/500 MANUAL TRANSMISSION FIS (400 4X4 GREEN) (A2002IB400) Page 15 of 100
 WATER PUMP ASSEMBLY

Ref #	Part Number	Qty	S/P/F	Description
1	3402-159	1	S	Case, Water Pump (inc. 2-3)
1	3402-354	1	/P	Case, Water Pump (inc. 2-3) (500)
2	3423-185	1		Screw, Cap
2	3423-343	1		Screw, Cap (500)
3	3003-188	1	S/P	Gasket
4	3423-078	1		O-Ring
5	3004-507	2	S	Screw, Cap
6	3423-119	1	S	Screw, Cap
7	3413-010	1	S/P	Joint, Pump Drive
7	3413-011	1	/P	Joint, Pump Drive (500)
8	3413-002	1		Shaft, Pump w/Bearing
9	3423-046	1		Pin
10	3003-356	1		Seal, Pump Drive
11	3402-360	1	S	Seal, Mechanical
12	3413-001	1		Impeller
13	3003-426	1		Screw, Cap
14	3003-431	1	/P	Washer
15	3003-432	1		Gasket

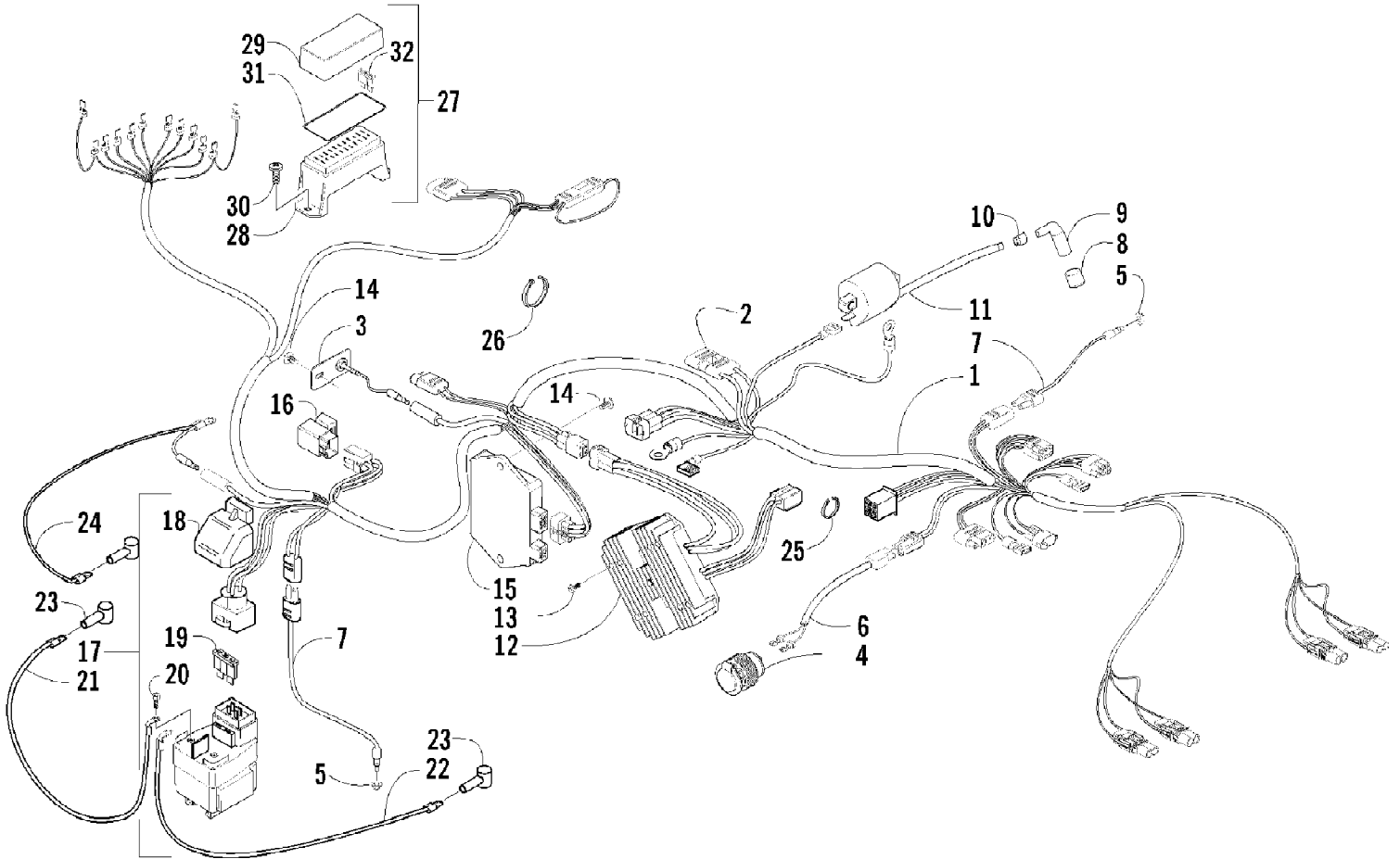
2002 ATV 400/500 MANUAL TRANSMISSION FIS (400 4X4 GREEN) (A20021844USG) Page 17 of 100
WHEEL AND TIRE ASSEMBLY



2002 ATV 400/500 MANUAL TRANSMISSION FIS (400 4X4 GREEN) (A2002184453) Page 15 of 100
 WHEEL AND TIRE ASSEMBLY

Ref #	Part Number	Qty	S/P/F	Description
1	0402-856	2		Wheel - Front
2	0402-858	2		Wheel - Rear
3	0402-064	4		Stem, Valve (inc. 4)
4	0402-140	4		Cap, Valve Stem
5	0402-890	2		Tire - Front
6	0402-926	2		Tire - Rear
7	0502-318	2		Hub, Wheel - Front
7	0502-317	2	S	Hub, Wheel - Front (4x4)
8	0402-874	3	S	Disc, Brake
9	0423-029	12		Screw, Machine
10	0402-181	4		Seal, Hub
11	0423-406	16		Nut, Mounting - Wheel (Red)
11	0423-408	16	/P	Nut, Mounting - Wheel (Green)
12	0423-394	4		Nut, Hex
13	0423-407	4		Pin, Cotter
14	0502-313	1	S	Hub, Wheel - Rear - Left
14	0502-317	1	S	Hub, Wheel - Rear - Right

2002 ATV 400/500 MANUAL TRANSMISSION FIS (400 4X4 GREEN) (A20021844) (Page 133) of 100
WIRING HARNESS ASSEMBLY



2002 ATV 400/500 MANUAL TRANSMISSION FIS (400 4X4 GREEN) (A2002) (USA)
WIRING HARNESS ASSEMBLY Page 100 of 100

Ref #	Part Number	Qty	S/P/F	Description
1	0486-084	1		Harness, Main (inc. 2)
2	0486-029	1		Diode (Start In Gear)
3	0586-003	1		Diode Assembly
4	0445-022	1	S	Receptacle, 12V (4x4)
5	0402-168	2	/P	Retainer, Switch
6	0486-004	1		Harness, 12V Receptacle (4x4)
7	0409-009	2		Switch, Brake - Assembly
8	3430-008	1	/P	Seal, Spark Plug Cap
9	3430-007	1	/P	Cap, Spark Plug
10	3430-009	1	/P	Seal, High Tension Wire
11	3530-004	1	/P	Coil, Ignition - Assembly
12	3530-028	1	S	Regulator, Voltage
13	8476-625	2		Screw, Machine
14	8476-616	3		Screw, Machine
15	3530-003	1		CDI Unit
16	3530-008	1	S	Relay, Neutral Start - Assembly
17	3530-001	1	/P	Relay, Starter Motor - Assembly (inc. 18-19)
18	3530-010	1		Cover, Starter Motor Relay
19	0630-098	1		Fuse, 30 Amp
20	3423-020	2	/P	Screw, Cap
21	0445-003	1	/P	Cable, Battery/Electric Start Relay
22	0445-032	1		Cable, Battery/Electric Start
23	0645-019	2		Boot, Terminal
24	0445-002	1		Cable, Battery/Ground
25	0123-903	AR		Cable Tie - 11.5 in.
26	0123-788	AR	/P	Cable Tie - 7.5 in.
27	0530-001	1		Box, Fuse - Assembly (inc. 28-29)
28	0	1	F	Block, Fuse
29	0	1	F	Cover, Fuse Box
30	0623-361	2		Screw, Self-Tapping
31	0411-271	1		Decal, Fuse Block
32	0630-057	4		Fuse - 10 Amp
	0630-058	2		Fuse - 15 Amp