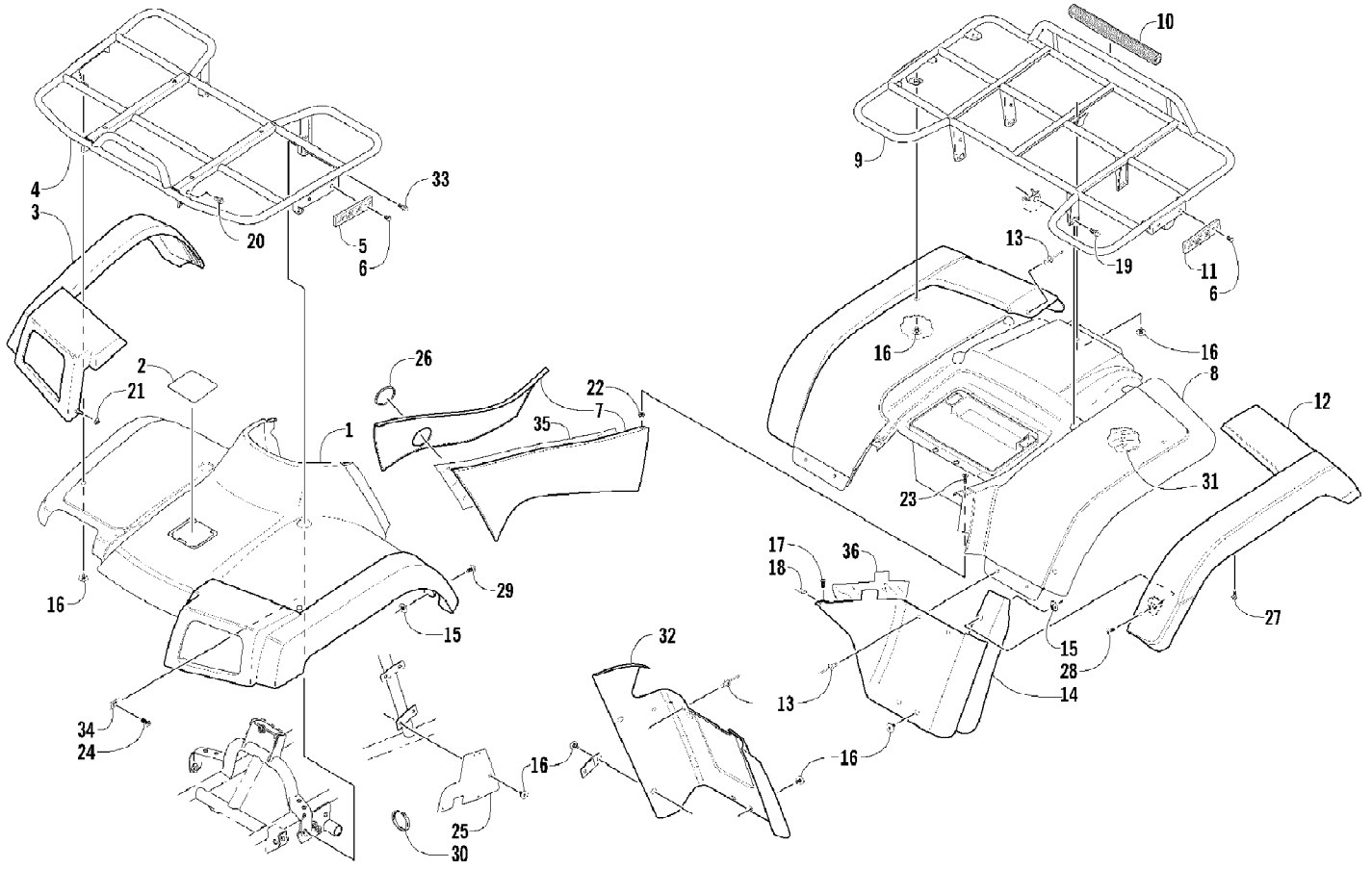


2002 ATV 400 4X4/500 MANUAL TRANSMISSION (500 GREEN) (A2002ATM4A) (Page 2 of 94)
 AIR INTAKE ASSEMBLY

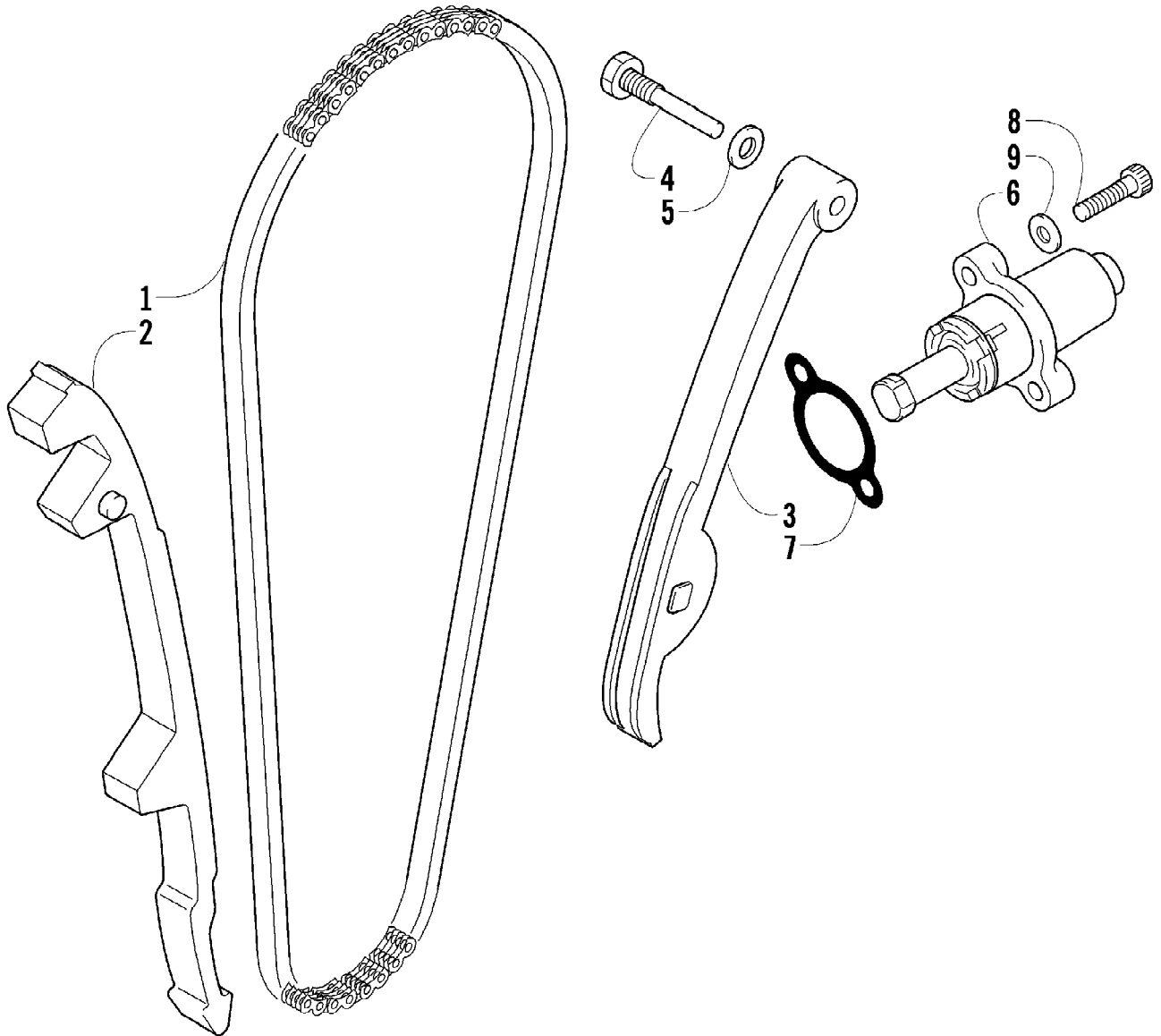
Ref #	Part Number	Qty	S/P/F	Description
1	0423-019	1		Clamp
2	0470-432	1		Boot, Air Intake
3	0423-018	2		Clamp
4	0470-446	1	/P	Housing, Air Intake
5	0623-101	1		Clip, Retaining
6	0470-343	1		Gasket
7	0470-383	1	/P	Snorkel
8	0470-307	4		Clamp
9	0423-037	4		Spring
10	0623-121	4		Screw, Machine
11	0123-010	4	/P	Nut, Expansion
12	0410-004	1		Hose, Crankcase Vent
13	0470-391	1	/P	Filter, Air
14	0412-141	1		Shield, Heat
15	0470-442	1	/P	Valve, Drain
16	1673-272	1	/P	Cap, Drain Tube
17	0423-047	1		Clamp, Hose
18	0423-045	2		Clamp, Hose
19	0470-351	2		Support, Air Intake Flange

2002 ATV 400 4X4/500 MANUAL TRANSMISSION (500 GREEN) (A2002ATM4A) (Page 3 of 94)
BODY PANEL ASSEMBLY



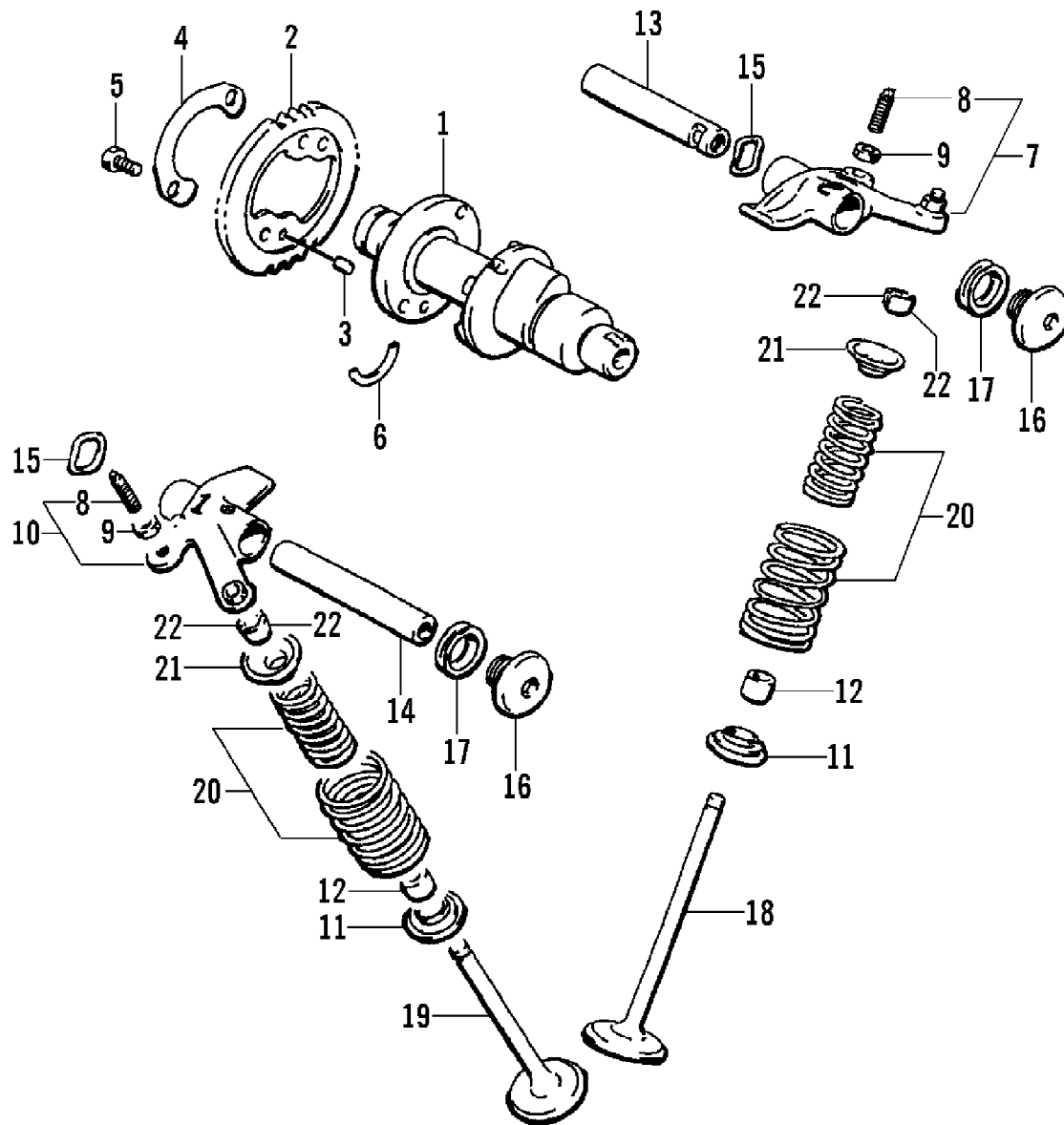
2002 ATV 400 4X4/500 MANUAL TRANSMISSION (500 GREEN) (A2002ATM4A) Page 4 of 94
BODY PANEL ASSEMBLY

Ref #	Part Number	Qty	S/P/F	Description
1	0506-616	1		Panel, Fender - Front (inc. 2) (Red)
1	0506-584	1		Panel, Fender - Front (inc. 2) (Green)
2	0406-244	1	S/P	Cover, Access (Red)
2	0406-975	1	S	Cover, Access (Green)
3	0506-550	1		Flare - Front Right
3	0506-551	1		Flare - Front Left
4	0506-547	1		Rack - Front
5	0606-526	2		Reflector, Front - Amber
6	0623-269	8		Clip, Retaining
7	0506-548	1		Panel, Side - Right (Red)
7	0506-243	1		Panel, Side - Left (Red)
7	0506-549	1		Panel, Side - Right (Green)
7	0506-673	1		Panel, Side - Left (Green)
8	0506-620	1	S	Panel, Fender - Rear (Red)
8	0506-621	1		Panel, Fender - Rear (Green)
9	0506-608	1	S	Rack- Rear
10	0406-293	1		Wrap, Tube - Rear Rack
11	0606-029	2		Reflector, Rear - Red
12	0506-552	1		Flare, Rear Right
12	0506-553	1		Flare, Rear Left
13	0423-046	AR		Rivet, Plastic
14	0406-084	1		Fender Extension - Rear - Right
14	0406-085	1		Fender Extension - Rear - Left
15	0423-077	4	/P	T -Nut w/Teeth
16	0423-101	A		Screw, Body
17	0623-309	2		Screw, Self-Tapping
18	0423-060	2		Clip, Tinerman
19	8409-020	6	/P	Screw, Cap
20	0423-360	2		Screw, Cap
21	0423-357	2		Nut, Stamped
22	0123-010	2	/P	Nut, Expansion
23	0423-068	2		Screw, Machine
24	8477-616	2		Screw, Machine
25	1406-006	1		Panel, Fender - Inner
26	0470-404	1		Grommet, Fuel Shut-Off Valve
27	0423-342	16	/P	Screw, Self-Tapping
28	0423-355	2		Screw, Shoulder
29	0423-356	2		Screw, Shoulder
30	0123-788	A	/P	Cable Tie - 7.5 in.
31	0412-124	1		Shield, Heat
32	0406-941	1	/P	Panel, Kick - Right
32	0506-626	1		Panel, Kick - Left
33	8408-816	2		Screw, Cap
34	0423-031	2		Nut, Speed
35	0412-142	1		Shield, Heat
36	0412-140	1		Shield, Heat



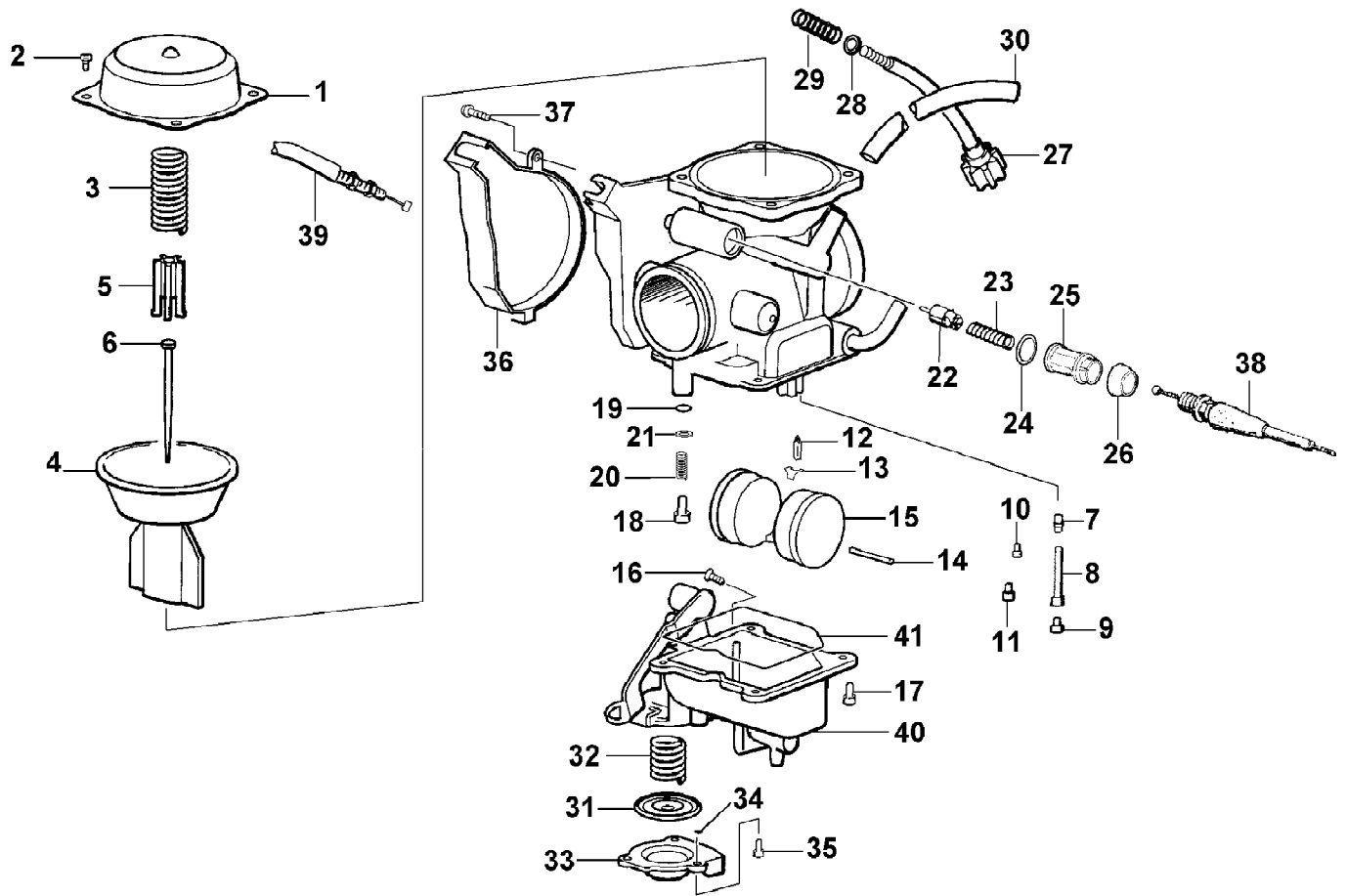
2002 ATV 400 4X4/500 MANUAL TRANSMISSION (500 GREEN) (A2002ATM4A) Page 6 of 94
CAM CHAIN ASSEMBLY

Ref #	Part Number	Qty	S/P/F	Description
1	3402-133	1		Chain, Cam
1	3402-353	1		Chain, Cam (500)
2	3402-134	1		Guide, Chain
2	3402-355	1		Guide, Chain (500)
3	3402-135	1		Tensioner, Chain
3	3402-356	1		Tensioner, Chain (500)
4	3423-074	1		Bolt
5	3003-188	1	S/P	Washer
6	3402-136	1		Adjuster, Tensioner - Assembly
7	3402-137	1		Gasket
8	3004-475	2	S	Screw, Cap
9	3003-290	2	/P	Gasket



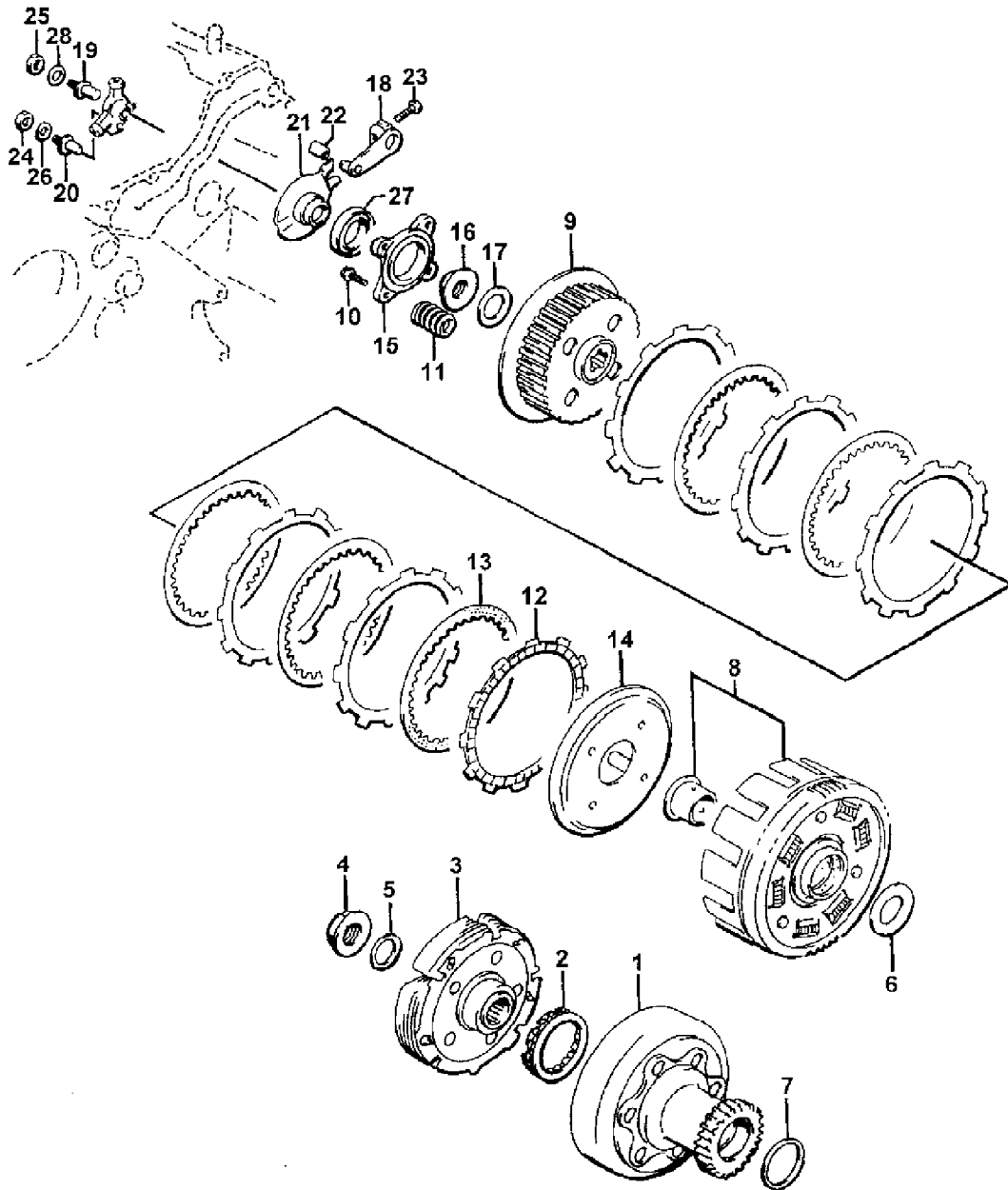
2002 ATV 400 4X4/500 MANUAL TRANSMISSION (500 GREEN) (A2002ATM4A) (Page 8 of 94)
 CAMSHAFT/VALVE ASSEMBLY

Ref #	Part Number	Qty	S/P/F	Description
1	3402-027	1	S	Camshaft
2	3402-131	1		Sprocket
2	3402-352	1		Sprocket (500)
3	3402-047	1	S	Pin
4	3423-073	1		Washer
5	3423-013	2	S	Screw, Cap
6	3423-071	1	/P	C-Ring
7	3402-138	1	S	Arm, Valve Rocker- Intake (inc. 8-9)
8	3423-075	4		Screw, Cap
9	3423-076	4		Nut
10	3402-139	1		Arm, Valve Rocker - Exhaust (inc. 8-9)
11	3402-148	4		Seat, Spring
12	3402-078	4		Seal, Oil
13	3402-140	1		Shaft, Rocker Arm
14	3402-141	1		Shaft, Rocker Arm
15	3423-031	2		Washer
16	3402-040	2	/P	Plug, Shaft
17	3402-012	2		Gasket
18	3402-142	2	S	Valve, Intake
19	3402-143	2		Valve, Exhaust
20	3402-144	4		Spring, Valve - Set
21	3402-146	4	S	Retainer, Spring
22	3402-147	8		Cotter, Valve



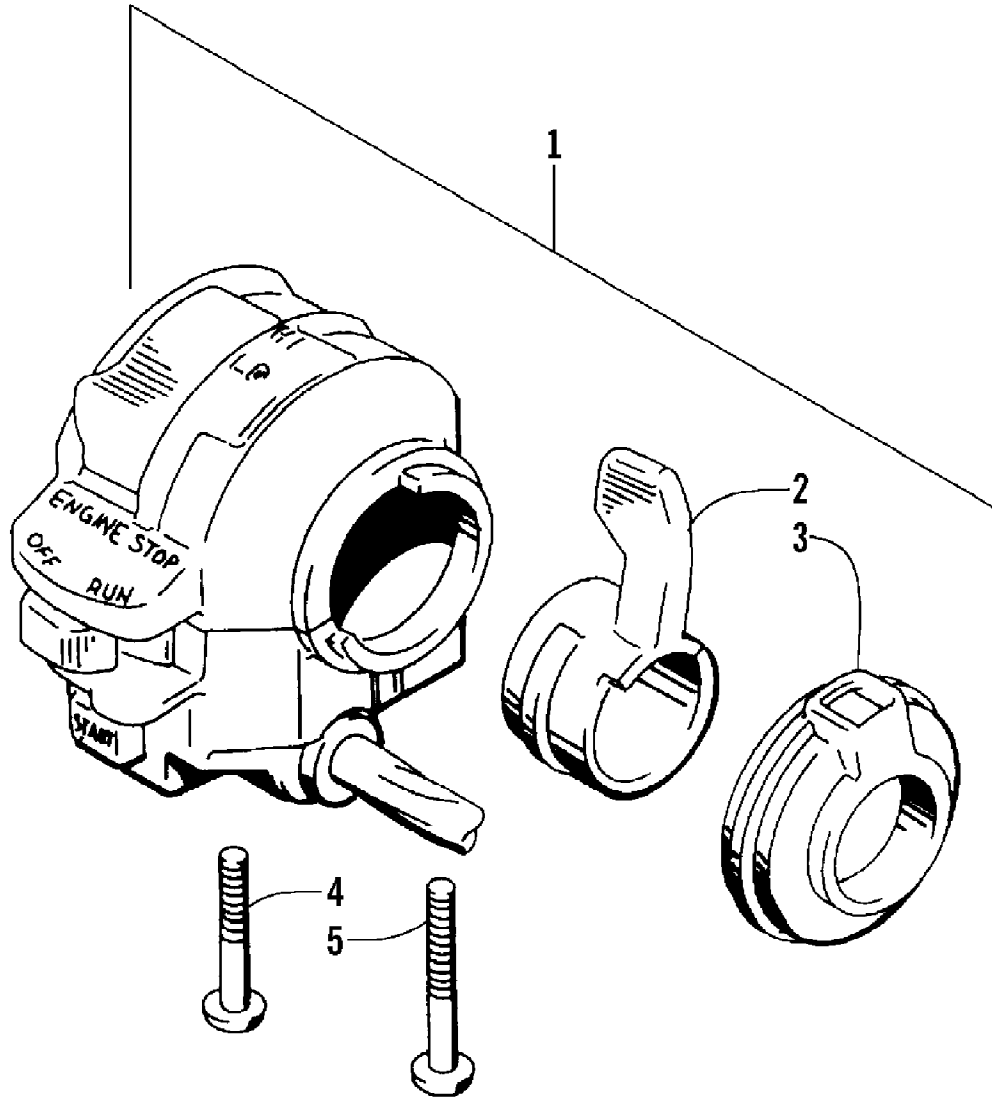
2002 ATV 400 4X4/500 MANUAL TRANSMISSION (500 GREEN) (A2002ATM4R10G1) 10 of 94
CARBURETOR

Ref #	Part Number	Qty	S/P/F	Description
	0470-389	1		Complete Assembly
	0470-449	1	/P	Complete Assembly - 500
1	5507-001	1		Cover, Top
2	5507-002	4	/P	Screw, Top Cover
3	5507-052	1		Spring
3	5507-085	1	S	Spring (500)
4	5507-004	1	/P	Piston, Vacuum
5	5507-005	1		Spring, Seat
5	5507-054	1		Spring, Seat (500)
6	5507-091	1		Jet Needle
6	5507-006	1		Jet Needle (500)
7	5507-007	1		Needle Jet
8	5507-047	1	/P	Holder, Needle Jet
9	5507-044	1		Main Jet - 140
9	5507-086	1		Main Jet - 148 (500)
9	5507-009	1	/P	Main Jet - 150
9	5507-041	1		Main Jet - 147
9	5507-043	1		Main Jet - 142
10	5507-010	1	S	Slow Jet - 38
11	5507-092	1		Starter Jet - 90
11	5507-011	1		Starter Jet - 102 (500)
12	5507-038	1		Valve, Float - Set (inc. 13)
13	0	1	F	O Clip
14	0	1	F	Pin, Float
15	5507-039	1		Float Set (inc. 14)
16	5507-050	1	/P	Screw, Drain
17	5507-089	4	S	Screw
18	5507-040	1		Screw, Pilot Air - Set (inc. 19-21)
19	0	1	F	O-Ring
20	0	1	F	Spring
21	0	1	F	Washer
22	5507-022	1		Valve, Starter
23	5507-023	1		Spring
24	5507-024	1		O-Ring
25	5507-025	1		Cap
26	5507-026	1		Cap, Rubber
27	5507-027	1		Screw, Idle Adjust
28	5507-028	1		Washer
29	5507-029	1		Spring
30	5507-084	1	S	Tube, Vinyl
31	5507-031	1	S	Diaphragm Assembly
32	5507-032	1		Spring
33	0	1	F	Housing, Pump
34	5507-034	1		U-Ring
35	5507-035	3		Screw
36	5507-036	1		Cover
37	5507-037	1	/P	Screw
38	0487-016	1		Cable, Choke
39	0487-021	1	S	Cable, Throttle
40	5507-065	1		Chamber, Float - Assembly (inc. 16, 31-35, and 41)
41	5507-067	1	/P	O-Ring, Float Chamber



2002 ATV 400 4X4/500 MANUAL TRANSMISSION (500 GREEN) (A2002ATM4R) (500) 12 of 94
CLUTCH ASSEMBLY

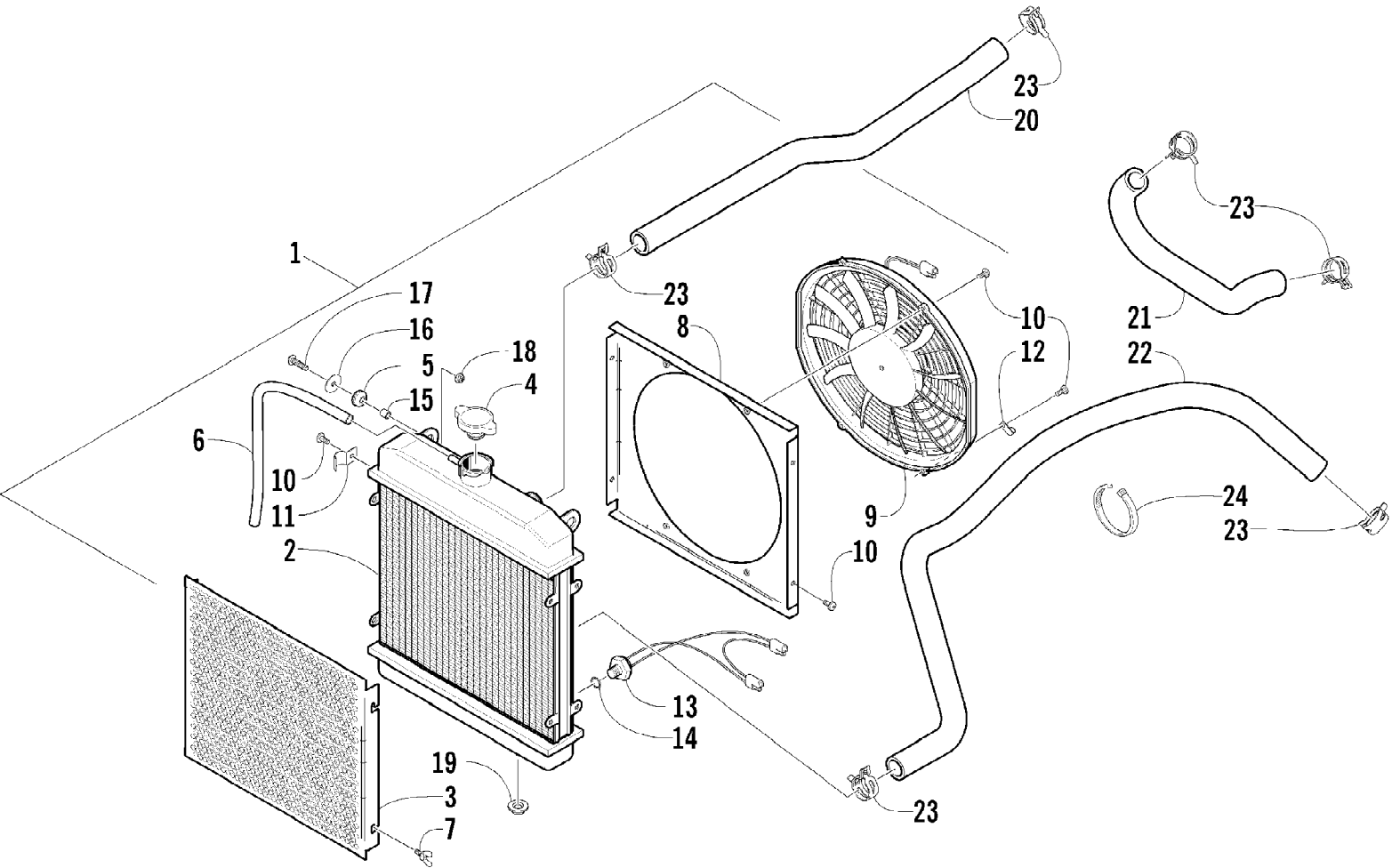
Ref #	Part Number	Qty	S/P/F	Description
1	3446-001	1	S	Housing, Starter Clutch
1	3446-232	1		Housing, Starter Clutch (500)
2	3446-003	1		Clutch, Primary Drive One Way
3	3446-227	1		Shoe, Starter Clutch
3	3446-233	1		Shoe, Starter Clutch (500)
4	3423-081	1		Nut, Starter Clutch Shoe
5	3423-032	1		Washer, Starter Clutch Shoe
6	3423-122	1		Washer, Primary Driven
7	3423-186	1		Washer, Primary Driven
7	3423-350	1		Washer, Primary Driven (500)
8	3446-002	1		Gear, Primary Driven - Assembly
9	3446-213	1		Hub, Clutch Sleeve
9	3446-004	1		Hub, Clutch Sleeve (500)
10	3423-330	4		Screw, Cap - Clutch Spring
11	3446-005	4		Spring, Clutch
12	3446-006	5		Plate, Clutch Drive
12	3446-006	6		Plate, Clutch Drive (500)
13	3446-226	4		Plate, Clutch Driven
13	3446-007	5		Plate, Clutch Driven (500)
14	3446-008	1		Disc, Clutch Pressure
15	3446-009	1		Plate, Clutch Release
16	3423-080	1		Nut, Clutch Sleeve Hub
17	3423-032	1		Washer, Clutch Sleeve Hub
18	3446-011	1		Arm, Clutch Release
19	3423-361	1		Bolt, Clutch Release (No. 1)
19	3423-333	1		Bolt, Clutch Release (No. 1) (500)
20	3423-083	1		Bolt, Clutch Release (No. 2)
21	3446-214	1		Guide, Release Roller
22	3446-013	1	S	Roller, Clutch Release - Assembly
23	3423-125	1	S	Bolt, Clutch Release Arm
24	3008-014	1		Nut, Clutch Release (No. 2)
25	3423-359	1		Nut, Clutch Release (No. 1)
25	3423-022	1		Nut, Clutch Release (No. 1) (500)
26	3423-027	1		Washer, Clutch Release (No. 2)
27	3402-186	1	/P	Bearing, Clutch Release Plate
28	3423-360	1		Washer, Clutch Release (No. 1)
28	3423-204	1	/P	Washer, Clutch Release (No. 1) (500)



2002 ATV 400 4X4/500 MANUAL TRANSMISSION (500 GREEN) (A2002ATM4R1SG) Page 14 of 94
CONTROL SWITCH HOUSING ASSEMBLY

Ref #	Part Number	Qty	S/P/F	Description
1	3509-001	1	S	Switch, Control - Assembly (inc. 2-5)
2	3409-009	1		Lever, Choke
3	3409-010	1		Cover, Choke Lever
4	3423-196	1		Screw, Cap
5	3423-197	1		Screw

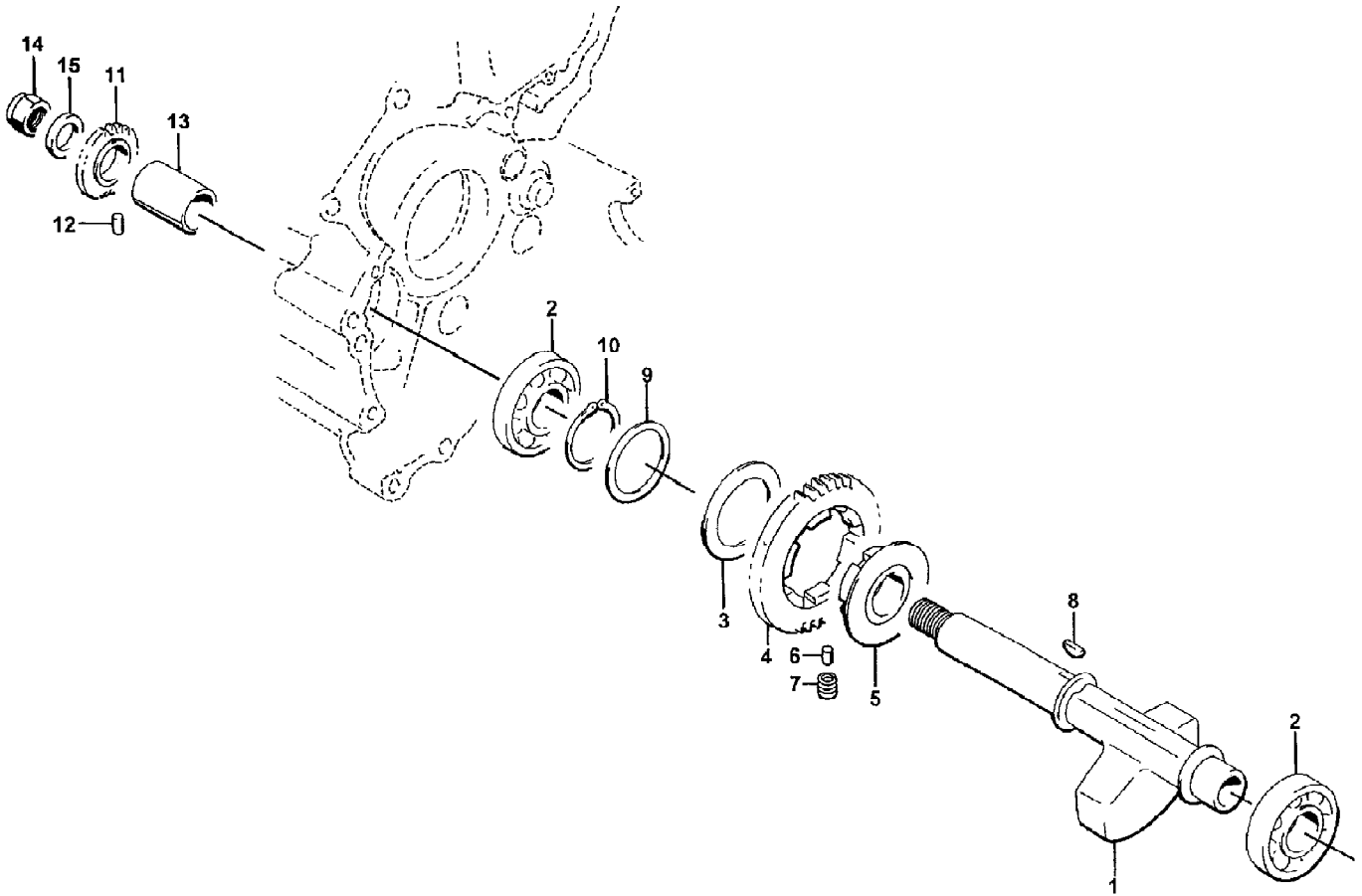
2002 ATV 400 4X4/500 MANUAL TRANSMISSION (500 GREEN) (A2002ATM4R) (500) Page 15 of 94
COOLING ASSEMBLY



2002 ATV 400 4X4/500 MANUAL TRANSMISSION (500 GREEN) (A2002ATM4R16) Page 16 of 94
COOLING ASSEMBLY

Ref #	Part Number	Qty	S/P/F	Description
1	0413-038	1		Radiator Assembly (inc. 2-14)
2	0	1	F	Radiator
3	0413-007	1		Screen, Radiator
4	0413-002	1	S	Cap, Radiator
5	0423-030	2		Grommet
6	0610-016	AR	/P	Hose - 25 ft
7	0413-009	4		Screw, Thumb
8	0413-046	2		Shroud, Fan
9	0413-044	1	S	Fan, Cooling
10	8475-512	8		Screw, Machine
11	0423-351	1		Clamp, Wire
12	0123-397	1		Clamp, Cable
13	0413-045	1		Sender, Temperature - Coolant
14	0423-390	1	S	1 O-Ring
15	0423-036	2		Collar
16	0623-184	2		Washer
17	8476-620	2		Screw, Cap
18	0623-038	2		Nut w/Washer
19	0423-028	2		Bushing, Stem
20	0410-002	1		Hose, Coolant - Upper
21	0410-003	1		Hose, Coolant - Crossover
22	0410-042	1		Hose, Coolant - Lower
23	0423-070	6		Clamp, Hose
24	0123-788	A	/P	Cable Tie - 7 in.

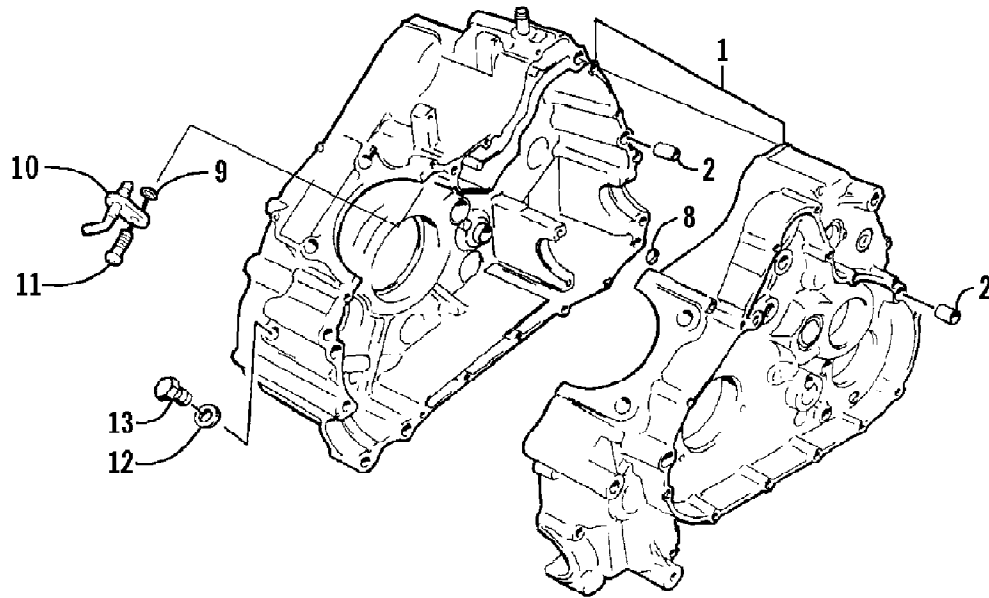
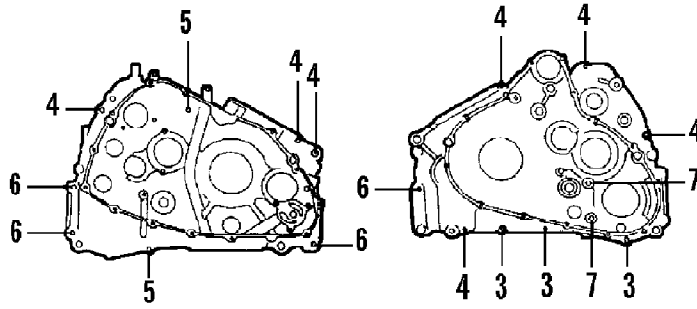
2002 ATV 400 4X4/500 MANUAL TRANSMISSION (500 GREEN) (A2002ATM4R10G1) Page 17 of 94
CRANK BALANCER ASSEMBLY



2002 ATV 400 4X4/500 MANUAL TRANSMISSION (500 GREEN) (A2002ATM4R18) Page 18 of 94
CRANK BALANCER ASSEMBLY

Ref #	Part Number	Qty	S/P/F	Description
1	3402-345	1		Balancer, Crank
1	3402-350	1		Balancer, Crank (500)
2	3402-050	2		Bearing
3	3423-033	1		Washer
4	3402-128	1		Gear, Driven
4	3402-351	1		Gear, Driven (500)
5	3402-129	1		Race, Driven Gear - Inner
6	3423-106	3	/P	Pin
7	3402-090	6		Spring
8	3004-540	1	/P	Key
9	3423-107	1		Washer
10	3423-200	1	/P	Circlip
11	3402-390	1		Gear, Oil Pump Drive
11	3402-150	1		Gear, Oil Pump Drive (500)
12	3423-114	1	/P	Pin
13	3402-151	1		Spacer
14	3423-025	1		Nut, Lock
15	3423-029	1		Washer

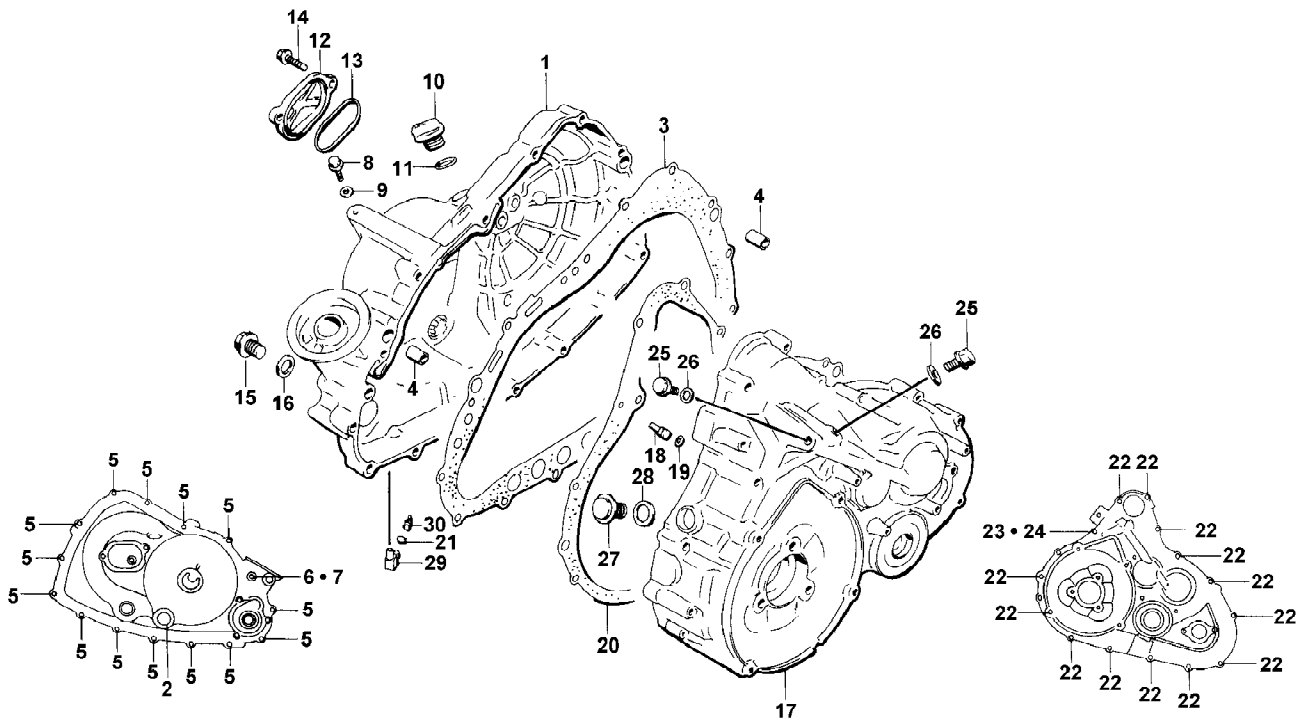
2002 ATV 400 4X4/500 MANUAL TRANSMISSION (500 GREEN) (A2002ATM4R19) Page 19 of 94
CRANKCASE ASSEMBLY



2002 ATV 400 4X4/500 MANUAL TRANSMISSION (500 GREEN) (A2002ATM4R) Page 20 of 94
CRANKCASE ASSEMBLY

Ref #	Part Number	Qty	S/P/F	Description
1	3402-388	1	/P	Crankcase Set (inc. 2-8)
1	3402-366	1	S	Crankcase Set (inc. 2-11) (500)
2	3423-088	4		Pin, Dowel
3	3423-091	3	S	Screw, Cap
4	3423-092	7	S	Screw, Cap
5	3423-094	2		Screw, Cap
6	0693-303	4	S	Screw, Cap
7	3423-093	2		Screw, Cap
8	3423-052	1		O-Ring
9	3423-051	1		O-Ring (500)
10	3402-369	1		Jet, Piston Cooling (500)
11	3004-552	1	S	Screw (500)
12	3402-011	1		Gasket
13	3423-095	1		Plug, Oil Gallery

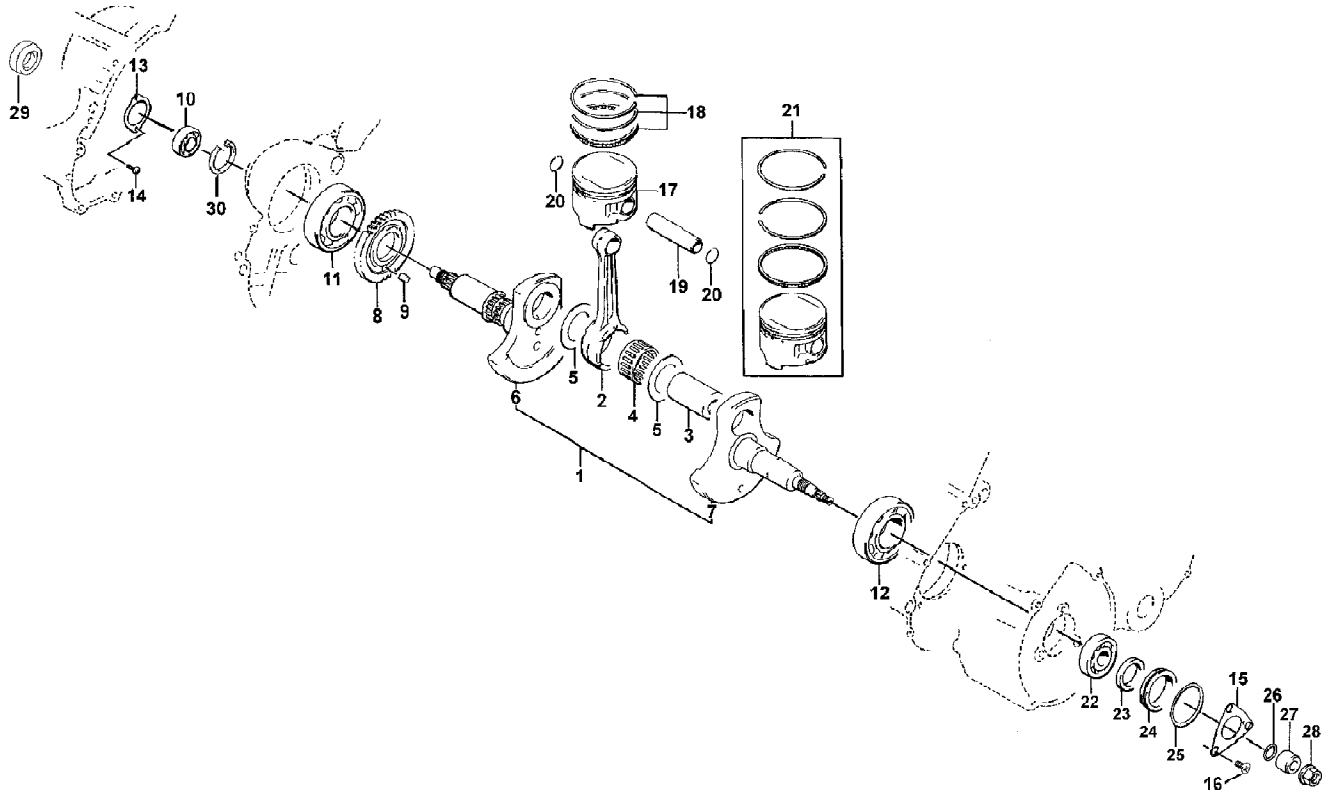
2002 ATV 400 4X4/500 MANUAL TRANSMISSION (500 GREEN) (A2002ATM4) Page 21 of 94
CRANKCASE COVER ASSEMBLY



2002 ATV 400 4X4/500 MANUAL TRANSMISSION (500 GREEN) (A2002ATM4R) Page 12 of 94
CRANKCASE COVER ASSEMBLY

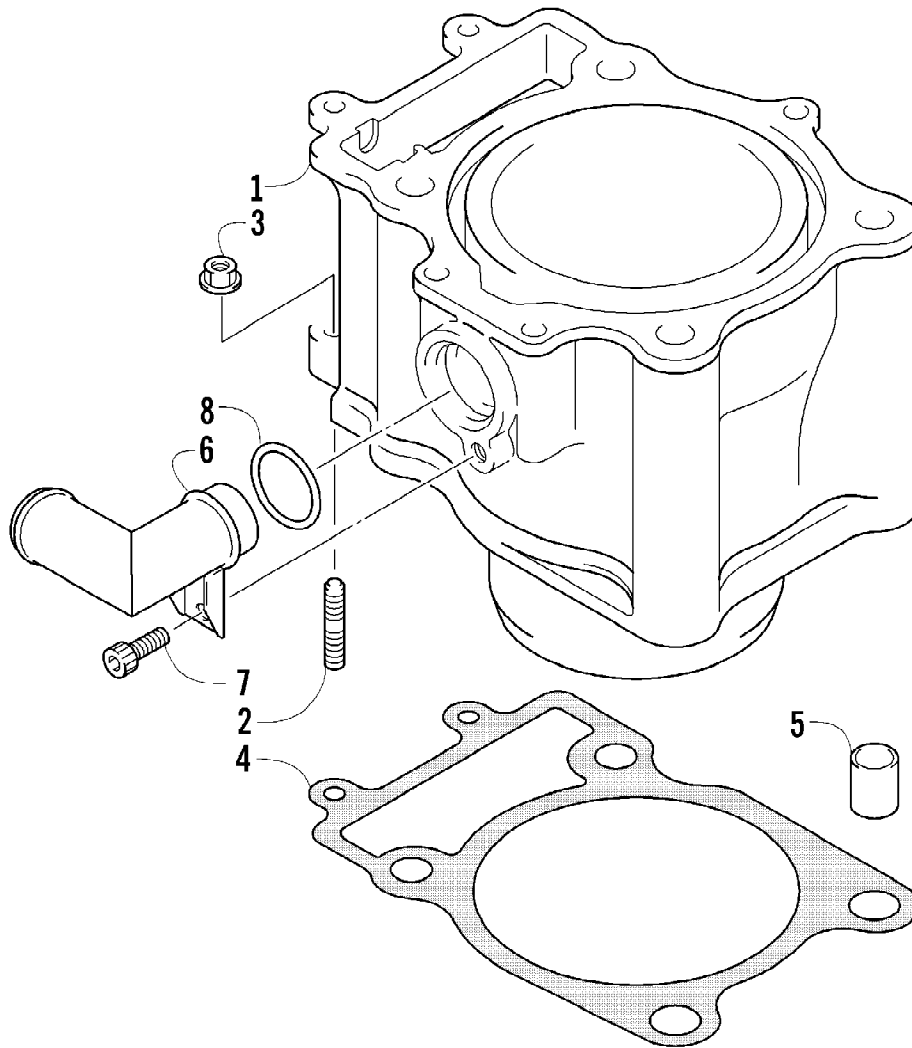
Ref #	Part Number	Qty	S/P/F	Description
1	3402-199	1	/P	Cover, Clutch (inc. 2)
1	3402-367	1		Cover, Clutch (inc. 2) (500)
2	3402-112	1	/P	Lens, Oil Inspection
3	3402-108	1		Gasket
4	3423-088	4		Pin, Dowel
5	0693-327	14	S	Screw, Cap
6	3423-097	1		Screw, Cap
7	3003-290	1	/P	Gasket
8	3004-339	1	S/P	Plug, Oil Gallery
9	3003-290	1	/P	Gasket
10	3402-042	1		Cap, Engine Oil Filler
11	3423-055	1		O-Ring
12	3402-100	1		Cap, Inspection
12	3402-363	1		Cap, Inspection (500)
13	3402-101	1		O-Ring
14	3423-096	2	S	Screw, Cap
15	3402-037	1		Plug, Oil Pressure
15	3402-214	1		Plug, Oil Pressure (500)
16	3402-012	1		Gasket
17	3402-106	1		Cover Set, Transfer (inc. 18-19)
17	3402-368	1		Cover Set, Transfer (inc. 18-19) (500)
18	3402-097	1		O Jet, Oil Mission
19	3423-051	1		O-Ring
20	3402-109	1	S	Gasket
21	3423-120	1		Clip
22	3423-098	13	S	Screw, Cap
23	3423-092	1	S	Screw, Cap
24	3003-290	1	/P	Gasket
25	3004-705	2	S	Plug, Oil Gallery
25	3423-348	2		Plug, Oil Gallery (500)
26	3005-242	2		Gasket
27	3402-041	1	S	Plug
28	3402-013	1	/P	Gasket
29	3413-009	1		Union, Water Drain
30	3413-008	1		Hose

2002 ATV 400 4X4/500 MANUAL TRANSMISSION (500 GREEN) (A2002ATM4) **Page 23** of 94
CRANKSHAFT ASSEMBLY



2002 ATV 400 4X4/500 MANUAL TRANSMISSION (500 GREEN) (A2002ATM4) Page 24 of 94
CRANKSHAFT ASSEMBLY

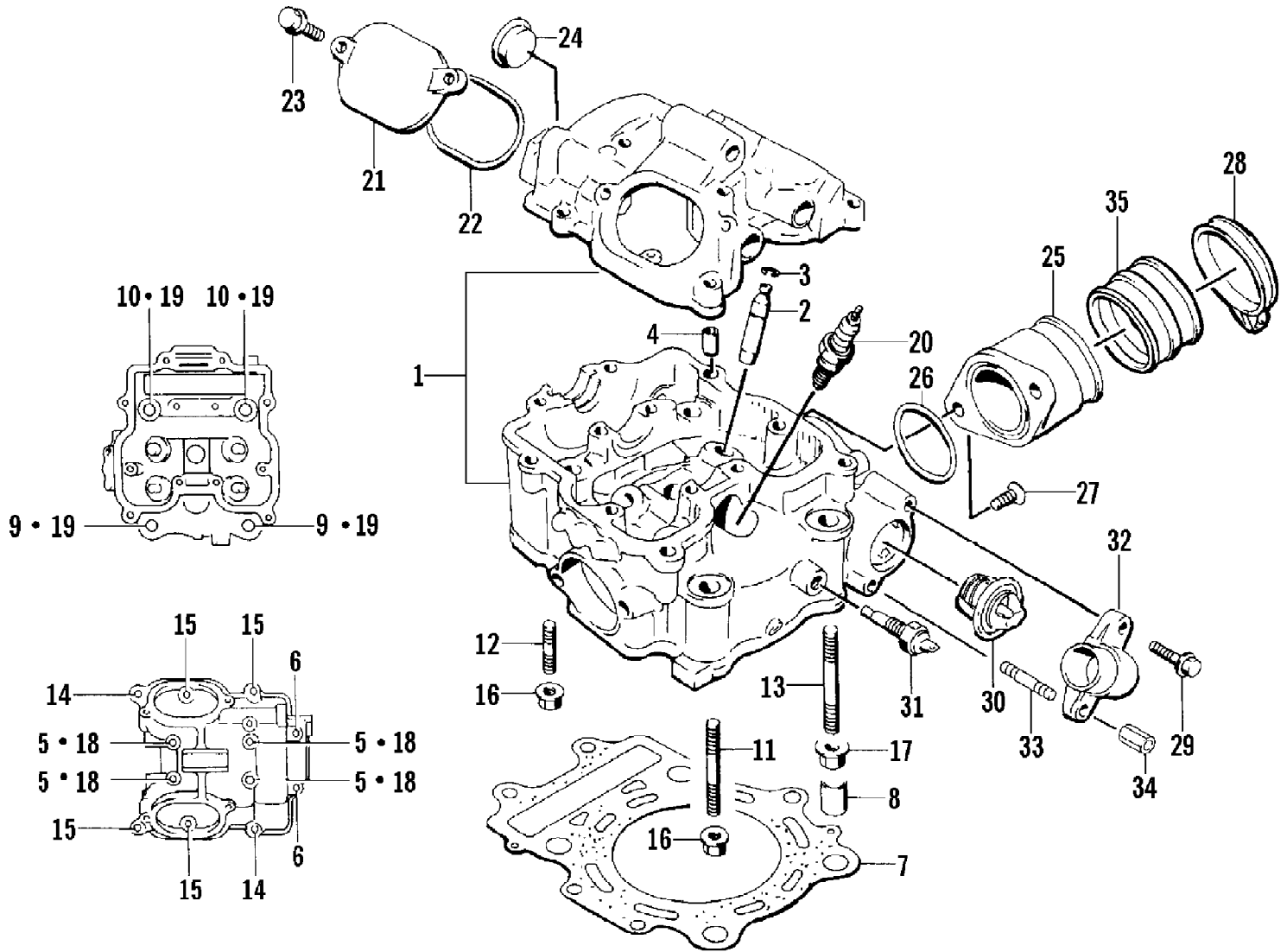
Ref #	Part Number	Qty	S/P/F	Description
1	3402-339	1		Crankshaft Assembly (inc. 2-9)
1	3402-372	1		Crankshaft Assembly (inc. 2-9) (500)
2	3402-341	1		Rod, Connecting
2	3402-376	1		Rod, Connecting (500)
3	3402-116	1		Pin, Crank
3	3402-377	1		Pin, Crank (500)
4	3402-064	1		Bearing
4	3402-386	1	S	Bearing (500)
5	3423-030	2		Washer
5	3423-351	2		Washer (500)
6	3402-342	1		Crankshaft Set - Right (inc. 8-9)
6	3402-378	1		Crankshaft Set - Right (inc. 8-9) (500)
7	3402-343	1		Crankshaft - Left
7	3402-379	1		Crankshaft - Left (500)
8	0	1	F	Gear, Balancer Drive
9	0	1	F	Pin
10	3402-044	1		Bearing -Right
10	3402-384	1		Bearing -Right (500)
11	3402-058	1		Bearing -Center
12	3402-054	1		Bearing -Left
13	3402-120	1		Retainer, Bearing - Right
13	3423-355	1		Retainer, Bearing - Right (500)
14	3423-017	2		Screw, Cap (400)
15	3402-188	1	/P	Retainer, Oil Seal - Left
16	3423-018	3		Screw, Cap
17	3402-340	1		Piston
17	3402-373	1		Piston (500)
18	3402-114	1		Ring Set, Piston
18	3402-374	1		Ring Set, Piston (500)
18	3436-009	1	/P	Ring Set, Piston (Oversized 0.50 mm) (400)**
18	3436-010	1	/P	Ring Set, Piston (Oversized 1.00 mm) (400)"
19	3402-110	1		Pin
19	3402-375	1		Pin (500)
20	3423-069	2		Circlip
20	3423-344	2		Circlip (500)
21	3402-430	1		Piston Assembly (inc. 17, 18, and 20)
21	3402-431	1		Piston Assembly (inc. 17, 18, and 20) (500)
21	3402-346	1		Piston Set (Oversized 0.50 mm) (400)
21	3402-347	1		Piston Set (Oversized 1.00 mm) (400)
22	3402-051	1		Bearing
23	3402-070	1		Seal, Oil
24	3402-119	1	S	Spacer
25	3423-063	1		O-Ring
26	3423-053	1	/P	O-Ring
27	3402-348	1		Spacer, Bearing - Left
28	3004-491	1	S/P	Nut
29	3402-387	1		Seal, Oil
30	3423-355	1		Circlip



2002 ATV 400 4X4/500 MANUAL TRANSMISSION (500 GREEN) (A2002ATM4R16G2) Page 26 of 94
CYLINDER ASSEMBLY

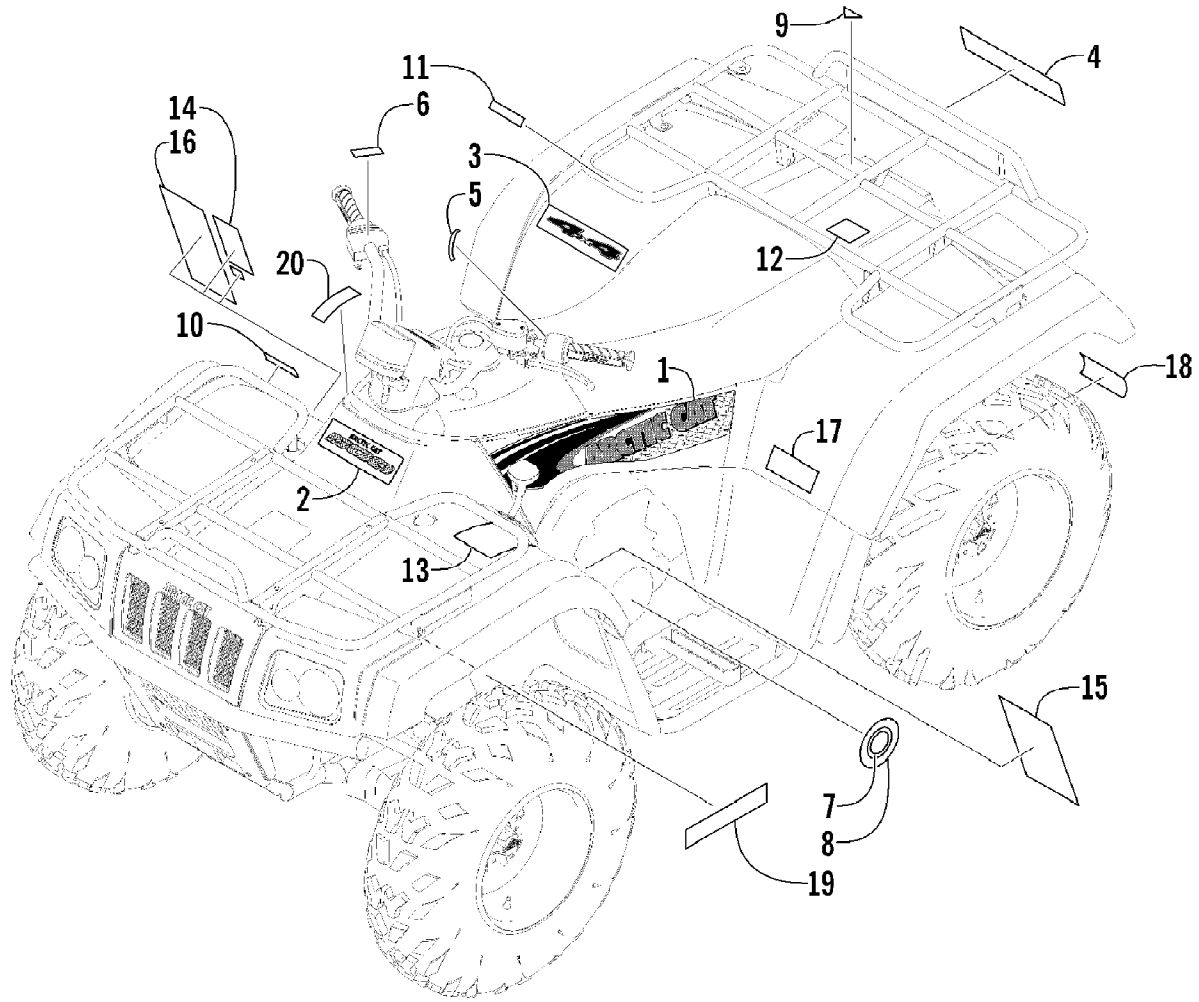
Ref #	Part Number	Qty	S/P/F	Description
1	3402-102	1		Cylinder
1	3402-364	1		Cylinder (500)
2	3423-090	2		Bolt, Stud
3	3004-488	2	S/P	Nut
4	3402-103	1	S	Gasket, Cylinder
4	3402-365	1	/P	Gasket, Cylinder (500)
5	3423-088	2		Pin, Dowel
6	3413-006	1		Union, Water Hose
7	3423-121	1	S	Screw, Cap
8	3423-058	1		O-Ring

2002 ATV 400 4X4/500 MANUAL TRANSMISSION (500 GREEN) (A2002ATM4) **Page 27** of 94
CYLINDER HEAD ASSEMBLY



2002 ATV 400 4X4/500 MANUAL TRANSMISSION (500 GREEN) (A2002ATM4) Page 28 of 94
CYLINDER HEAD ASSEMBLY

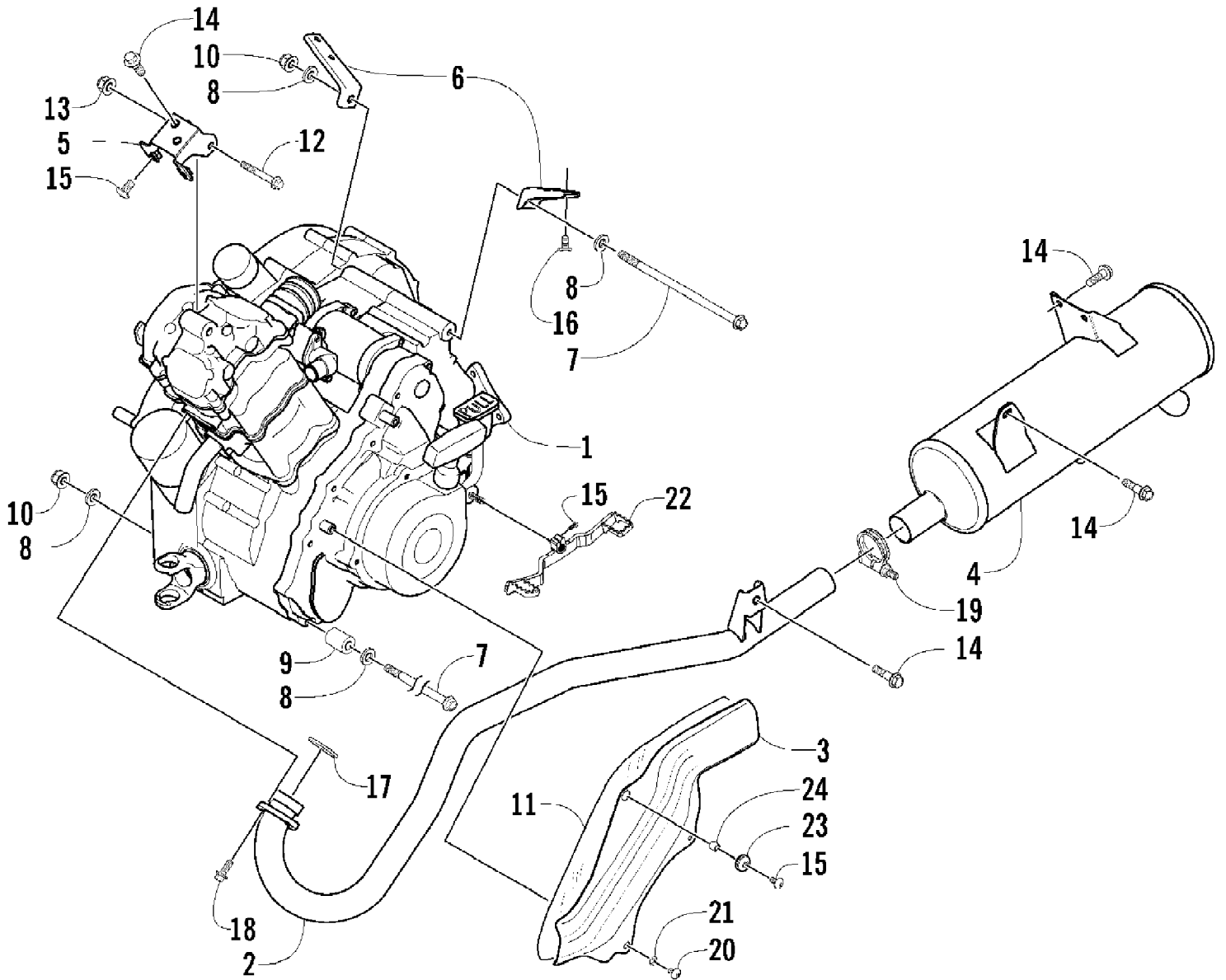
Ref #	Part Number	Qty	S/P/F	Description
	3402-107	1	S	Complete Gasket Set
	3402-370	1	S	Complete Gasket Set - 500
1	3402-098	1		Head, Cylinder - Assembly (inc. 2-6)
1	3402-361	1		Head, Cylinder - Assembly (inc. 2-6) (50)
2	3402-099	4		Guide, Valve
3	3423-068	4		Circlip
4	3423-043	2	/P	Pin, Dowel
5	3423-006	4		Screw, Cap
6	3008-376	2	S	Screw, Cap
7	3402-163	1		Gasket, Cylinder Head
7	3402-362	1		Gasket, Cylinder Head (500)
8	3423-088	2		Pin, Dowel
9	3423-015	2		Screw, Cap
10	3423-016	2		Screw, Cap
11	3423-089	2	S	Bolt, Stud
12	3423-087	2	S	Bolt, Stud
13	3423-203	1	S/P	Bolt, Stud
14	3423-007	2	S	Screw, Cap
15	3004-376	4	S/P	Screw, Cap
16	3004-488	4	S/P	Nut
17	3004-326	1	S/P	Nut
18	3003-290	4	/P	Gasket
19	3402-010	4		Gasket, Head Nut
20	0217-632	1		Spark Plug (NGK CR6E)
21	3402-100	2		Cap, Inspection
22	3402-101	2		O-Ring
23	3004-341	4	S/P	Screw, Cap
24	3402-035	1		Plug, Cylinder Head
25	3402-149	1		Pipe, Intake - Assembly (inc. 26)
25	3402-357	1		Pipe, Intake - Assembly (inc. 26) (500)
26	3423-332	1	/P	O-Ring
26	3423-353	1	/P	O-Ring (500)
27	3423-019	2		Screw, Cap
27	3423-347	2		Screw, Cap (500)
28	3402-086	2	/P	Clamp
29	3004-341	2	S/P	Screw, Cap
29	3004-341	1	S/P	Screw, Cap (500)
30	3413-005	1	S	Thermostat
30	3413-012	1		Thermostat (500)
31	3430-038	1	S	Switch, Coolant Temperature - Assembly
32	3413-004	1		Cover, Thermostat
33	3423-354	1		Stud, Thermostat Cover (500)
34	3423-349	1		Nut (500)
35	0470-412	1		Tube, Intake
35	3402-048	1		Plug, Frost



2002 ATV 400 4X4/500 MANUAL TRANSMISSION (500 GREEN) (A2002ATM4R) (P) (G) Page 30 of 94
DECALS

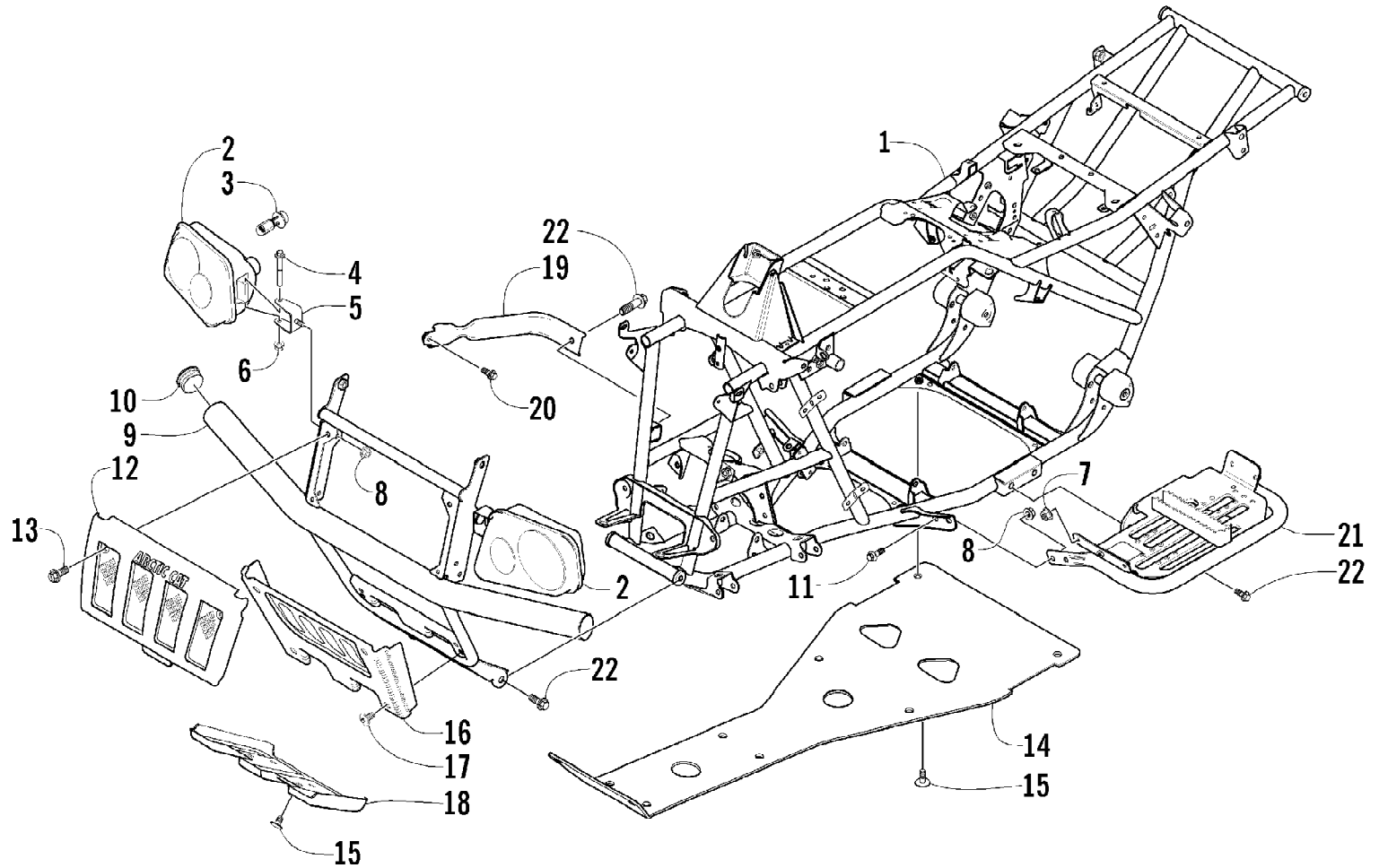
Ref #	Part Number	Qty	S/P/F	Description
1	0411-365	1		Decal, Side - Right (Red)
1	0411-366	1		Decal, Side - Left (Red)
1	0411-367	1		Decal, Side - Right (Green)
1	0411-368	1		Decal, Side - Left (Green)
2	0411-373	1		Decal, Front "400" (Red)
2	0411-374	1		Decal, Front "400" (Green)
2	0411-375	1		Decal, Front "500" (Red)
2	0411-376	1		Decal, Front "500" (Green)
3	0411-369	1		Decal, "4X4" (Red)
3	0411-370	1		Decal, "4X4" (Green)
4	0411-386	1		Decal, "Arctic Cat"
5	0411-325	1		Decal, Instruction - Choke
6	0411-324	1		Decal, Instruction - Start In Gear
7	0411-003	1		Decal, Shift Pattern
8	0411-009	1		Decal, Hi/Low Range
9	3611-002	1		Decal, "Made In U.S.A."
10	0411-006	1		Decal, Warning - Front Rack Load
11	0411-007	1		Decal, Warning - Rear Rack Load
12	0411-435	1		Decal, Passenger
13	0411-401	1		Decal, Warning-Age
14	0411-008	1	/P	Decal, Warning Reverse/Pre-Ride
15	0411-218	1		Decal, Warning - General
16	0411-045	1		Decal, Warning - Turn
17	0411-427	1		Decal, Warning - Tire Pressure
18	0411-267	1		Decal, Warning - Towing
19	0411-398	1		Decal, CA Emissions (400)
19	0411-397	1		Decal, CA Emissions (500)
20	0411-011	1		Decal, Caution - Electrical

2002 ATV 400 4X4/500 MANUAL TRANSMISSION (500 GREEN) (A2002ATM4R) Page 31 of 94
ENGINE AND EXHAUST



2002 ATV 400 4X4/500 MANUAL TRANSMISSION (500 GREEN) (A2002ATM4R) Page 32 of 94
ENGINE AND EXHAUST

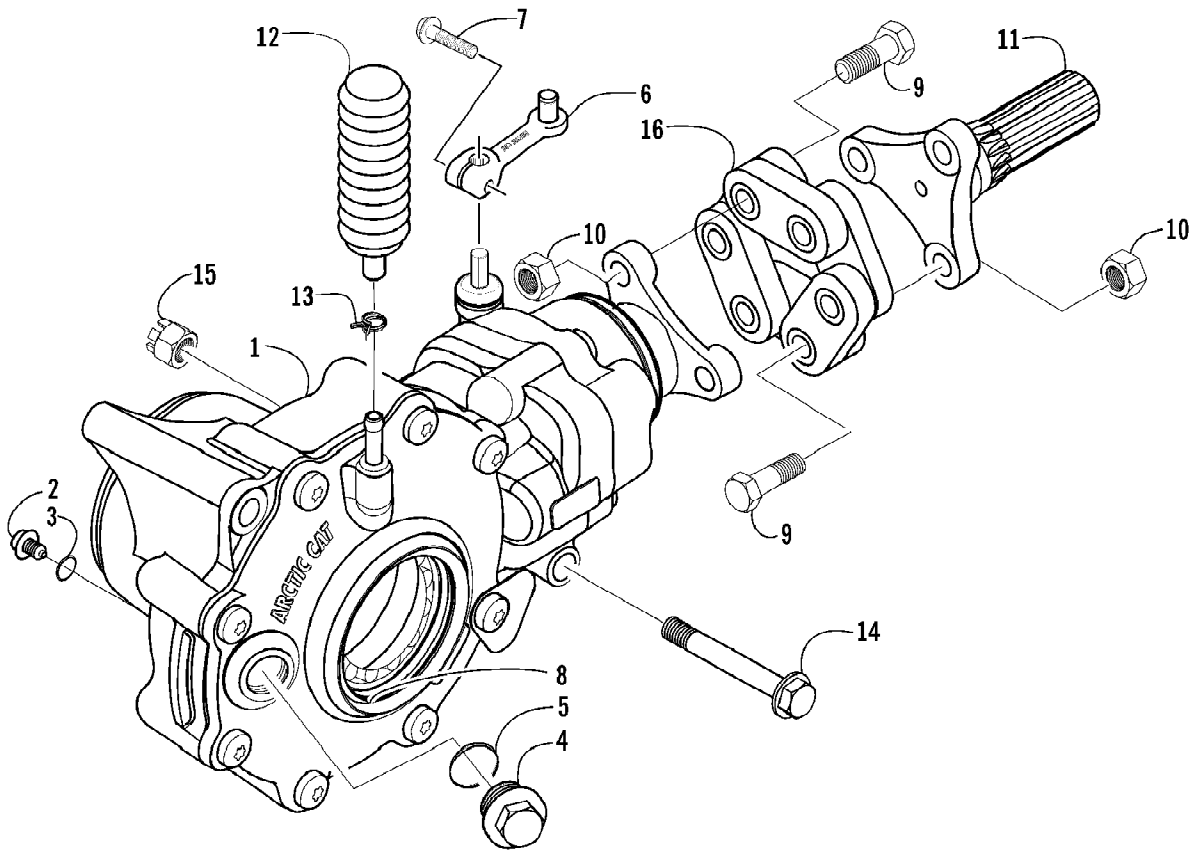
Ref #	Part Number	Qty	S/P/F	Description
1	0462-010	1		Engine
1	4621-011	1		Engine (500)
2	0512-036	1		Pipe, Exhaust
3	0406-869	1		Cover, Exhaust
4	0412-102	1	S	Muffler
5	0506-546	1		Bracket, Engine - Upper
6	0406-907	1		Bracket, Engine - Right
6	0406-908	1	S	Bracket, Engine - Left
7	3423-009	3	/P	Screw, Cap
8	0423-050	3		Washer, Engine
9	0423-042	1	S	Spacer, Engine
10	8428-002	3		Nut, Lock
11	0412-143	1		Shield, Heat
12	8408-860	1		Screw, Cap
13	8424-802	1		Nut
14	8408-816	6		Screw, Cap
15	8476-620	4		Screw, Machine
16	8408-616	4		Screw, Cap
17	0412-007	1	/P	Seal, Exhaust
18	8408-820	2	/P	Screw, Cap
19	0423-150	1		Clamp, Exhaust
20	8477-610	2		Screw, Machine
21	8053-211	2	S	Washer, Lock - External Tooth
22	0502-263	1		Lever, Shift
23	0423-030	1		Grommet
24	0423-036	1		Collar



2002 ATV 400 4X4/500 MANUAL TRANSMISSION (500 GREEN) (A2002ATM4) Page 34 of 94
FRAME AND RELATED PARTS

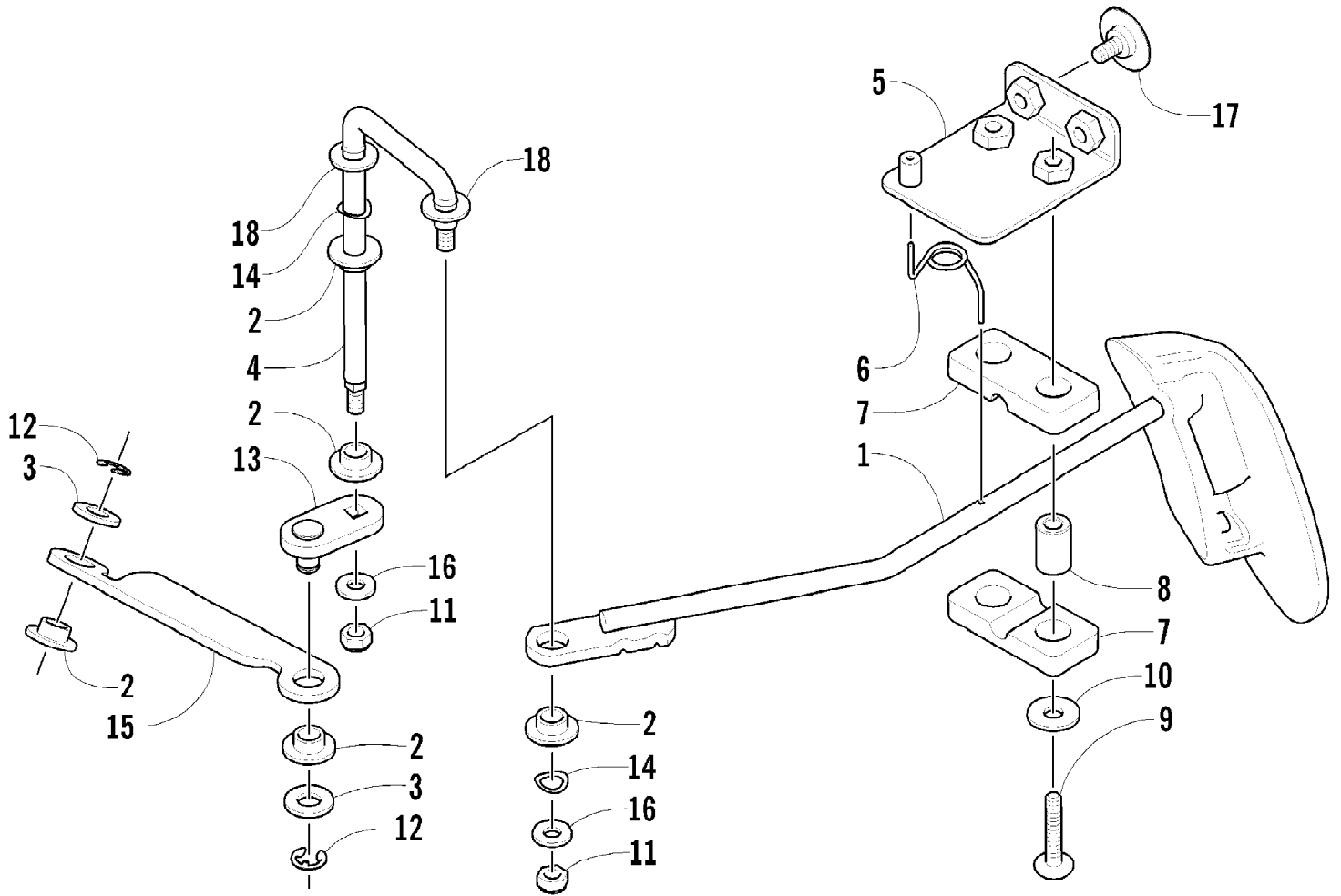
Ref #	Part Number	Qty	S/P/F	Description
1	0506-533	1		Frame, Main
2	0409-032	2		Headlight Assembly - Right (inc. 3-6)
2	0409-031	2		Headlight Assembly - Left (inc. 3-6)
3	0409-045	2		Bulb, Headlight
4	8410-860	2		Screw, Cap
5	0406-945	2		Bracket, Headlight Mounting
6	0423-375	2		Nut, Flange
7	8424-602	2	/P	Nut, Flange
8	8424-802	6		Nut
9	0506-544	1		Bumper
10	0406-130	2		Cap, Bumper
11	8408-816	4		Screw, Cap
12	0406-832	1		Grille, Upper
13	0423-361	2		Screw, Machine
14	0406-864	1		Panel, Belly
15	0423-101	AR		Screw, Body
16	0406-833	1	S	Grille, Bumper- Lower
17	0423-362	4		Screw, Machine
18	0406-834	1		Plate, Skid
19	0506-653	2	S	Channel, Bumper Mounting
20	8408-812	2		Screw, Cap
21	0506-534	1		Footrest - Right
21	0506-535	1		Footrest - Left
22	8409-020	8	/P	Screw, Cap

2002 ATV 400 4X4/500 MANUAL TRANSMISSION (500 GREEN) (A2002ATM4R) Page 35 of 94
FRONT DRIVE GEARCASE ASSEMBLY



2002 ATV 400 4X4/500 MANUAL TRANSMISSION (500 GREEN) (A2002ATM4R16G3) Page 36 of 94
FRONT DRIVE GEARCASE ASSEMBLY

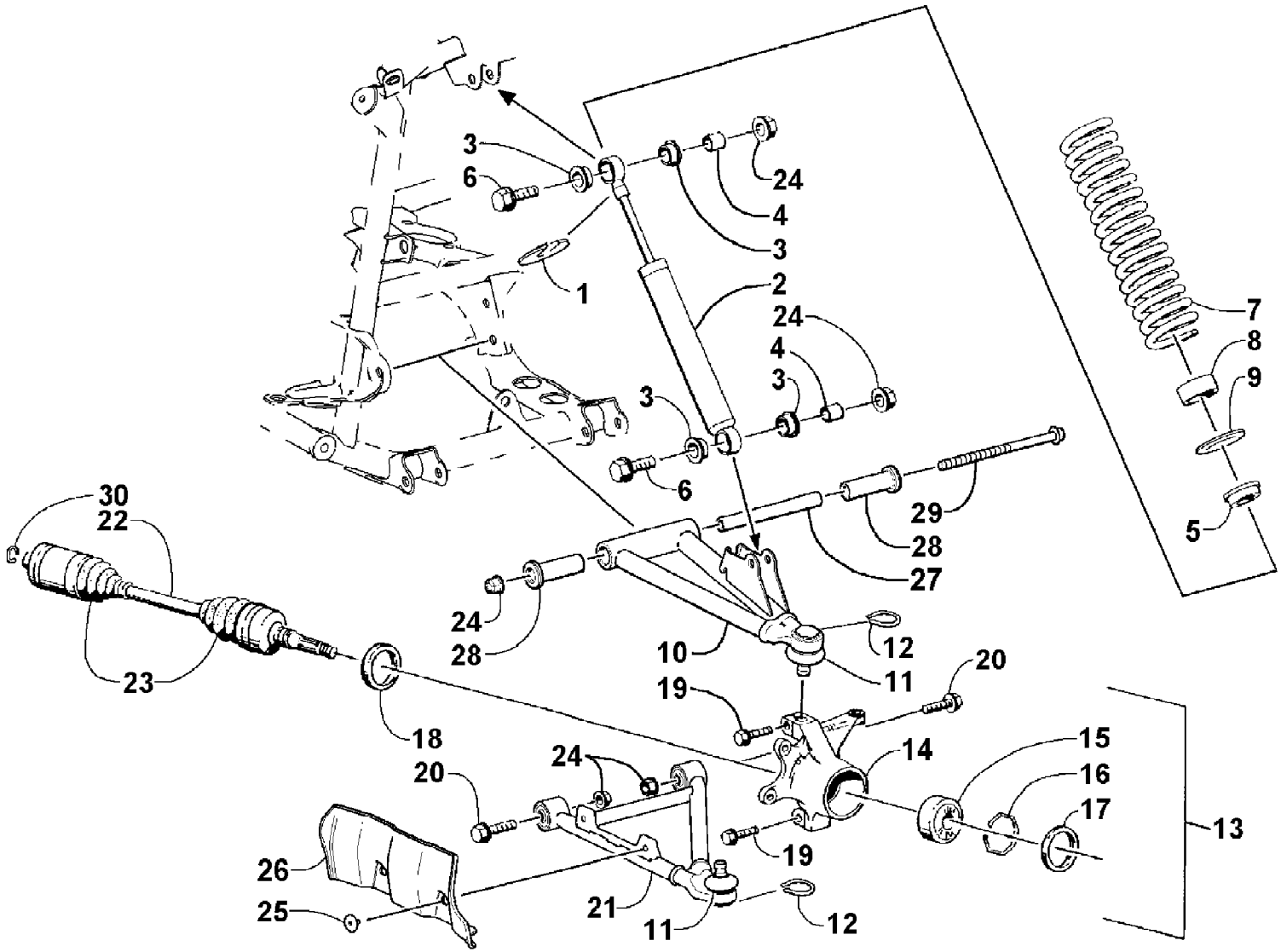
Ref #	Part Number	Qty	S/P/F	Description
1	0502-119	1		Gearcase, Front - Assembly (inc. 2-8)
2	0402-450	1	S	Plug, Magnetic (inc. 3)
3	0423-153	1		O-Ring
4	0402-333	1	/P	Plug, Fill (inc. 5)
5	0423-154	1		O-Ring
6	0502-092	1		Arm, Selector
7	8476-620	1		Screw
8	0402-394	2	S	Seal
9	3423-182	6	S	Screw, Cap
10	3004-491	6	S/P	Nut
11	0502-151	1		Shaft, Propeller
12	0402-147	1	S	Bladder, Gearcase
13	0423-315	1		Clamp, Hose
14	3423-010	2	/P	Screw, Cap
15	8428-002	2		Nut, Lock
16	3435-007	1		Coupler, Propeller Shaft



2002 ATV 400 4X4/500 MANUAL TRANSMISSION (500 GREEN) (A2002ATM4R16G3) Page 38 of 94
 FRONT DRIVE SHIFT LINKAGE ASSEMBLY

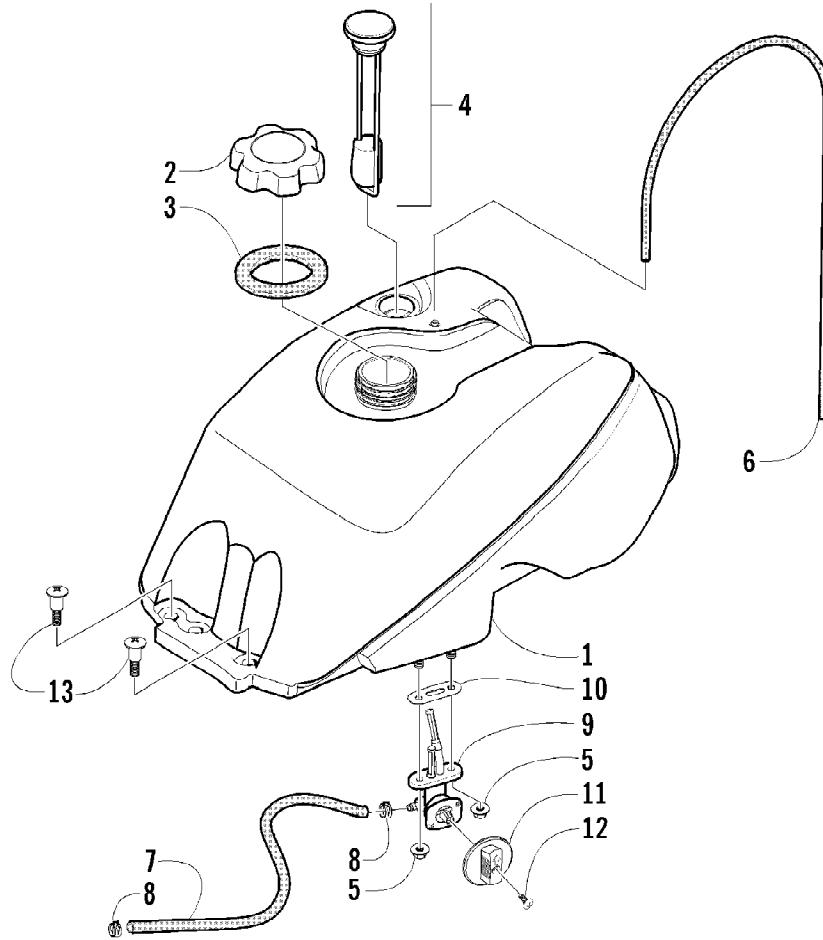
Ref #	Part Number	Qty	S/P/F	Description
1	0502-291	1		Shifter
2	0423-091	5		Bushing, Shifter
3	8050-247	2	/P	Washer
4	0402-821	1		Arm, Shifter
5	0502-234	1		Plate, Mounting
6	0402-828	1		Spring, Torsion
7	0406-363	2		Bushing
8	0402-256	2		Collar
9	8476-630	2		Screw, Machine
10	8050-222	2	/P	Washer
11	0624-250	2		Nut, Lock
12	0124-057	2	/P	E-Ring
13	0502-295	1		Arm, Selector
14	0423-368	2		Washer, Wave
15	0402-824	1	S	Cross-Link
16	0423-348	2		Washer
17	0423-101	2		Screw, Body
18	0123-053	2	/P	Washer

2002 ATV 400 4X4/500 MANUAL TRANSMISSION (500 GREEN) (A2002ATM4R) (500) Page 39 of 94
FRONT SUSPENSION ASSEMBLY



2002 ATV 400 4X4/500 MANUAL TRANSMISSION (500 GREEN) (A2002ATM4R10) of 94
FRONT SUSPENSION ASSEMBLY

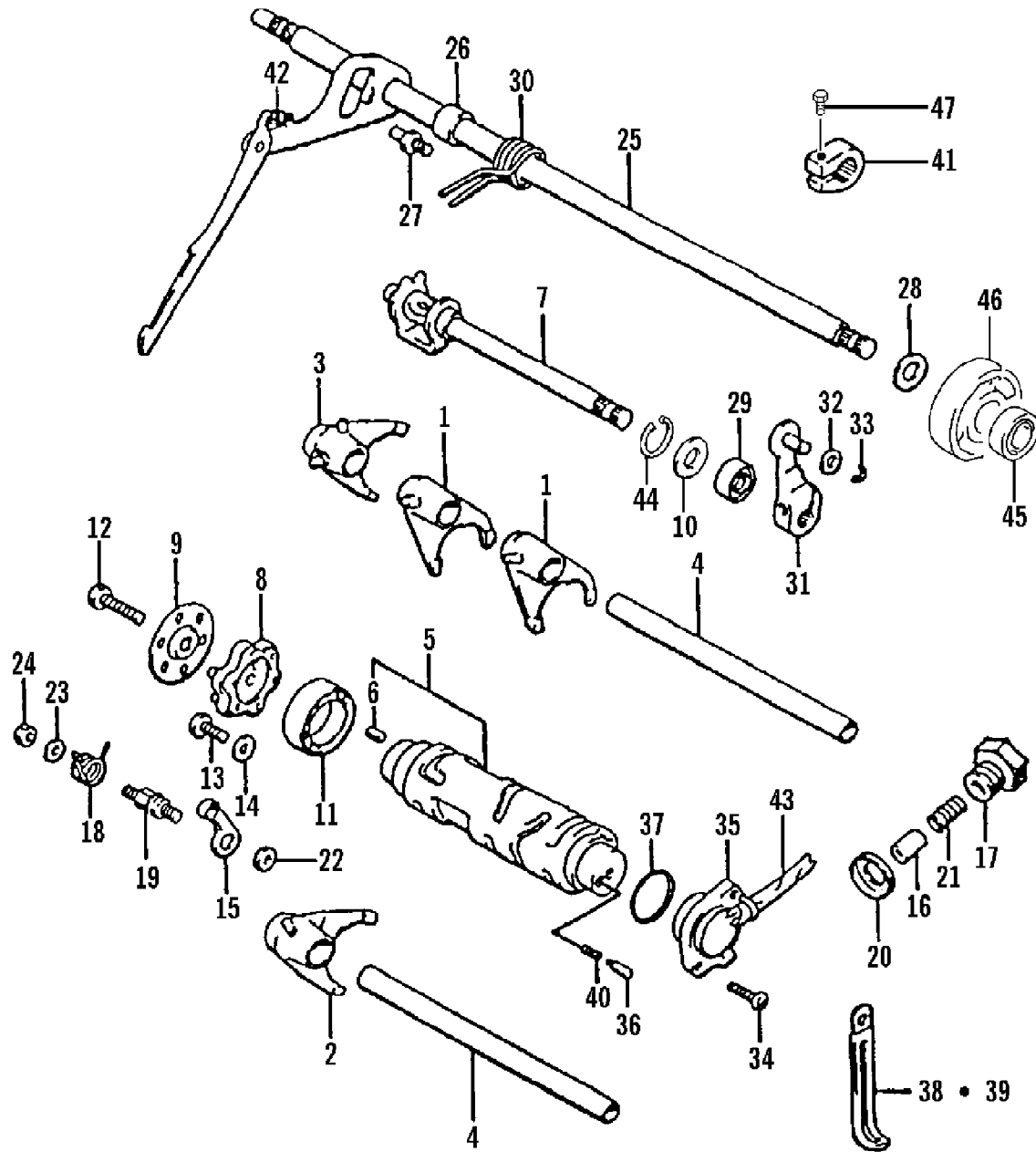
Ref #	Part Number	Qty	S/P/F	Description
1	1603-889	2	/P	Retainer, Spring
2	0403-082	2		Shock Absorber - Front (inc. 3-5)
3	0604-310	8		Bushing, Shock Absorber
4	0403-028	4		Sleeve, Shock
5	0403-027	2		Retainer, Spring - Lower
6	8409-040	4		Screw, Cap
7	0403-083	2		Spring, Shock Absorber
8	0403-098	2	S	Collar, Spring
9	0403-013	2		Washer, Spring
10	0503-120	1	S	A-Arm, Upper Right - Assembly (inc. 11-12 and 27-28)
10	0503-121	1	S	A-Arm, Upper Left - Assembly (inc. 11-12 and 27-28)
11	0405-068	4	S	Ball Joint - Front
12	0423-009	4	/P	Clip, Ball Joint
13	0505-026	1	S/P	Knuckle - Assembly - Right (inc. 14-18)
13	0505-027	1	S/P	Knuckle - Assembly - Left (inc. 14-18)
14	0505-062	1	S	Knuckle, Steering - Right
14	0505-063	1	S	Knuckle, Steering - Left
15	0402-275	2	/P	Bearing, Wheel Hub - Front
16	0423-034	2		Clip, Bearing
17	0402-089	2		Seal, Wheel Bearing - Front
18	0402-069	2		Seal, Wheel Bearing - Front
19	8409-030	4		Screw, Cap
20	8409-060	4		Screw, Cap
21	0503-118	1	S	A-Arm, Lower Right (inc. 11-12)
21	0503-119	1	S	A-Arm, Lower Left (inc. 11-12)
22	0402-365	2	S	Axle, Drive - Front (inc. 30)
23	0436-276	4	S	Repair Kit, Boot - Front Axle
24	8428-002	10		Nut, Lock
25	0423-101	4		Screw, Body
26	0406-944	1		Guard, Boot - Axle - Right
26	0406-927	1		Guard, Boot - Axle - Left
27	0403-080	2		Collar
28	0403-081	4	S	Bushing
29	0423-334	2		Screw, Cap
30	0441-400	2	S	Clip, Retaining



2002 ATV 400 4X4/500 MANUAL TRANSMISSION (500 GREEN) (A2002ATM4R) Page 12 of 94
 GAS TANK ASSEMBLY

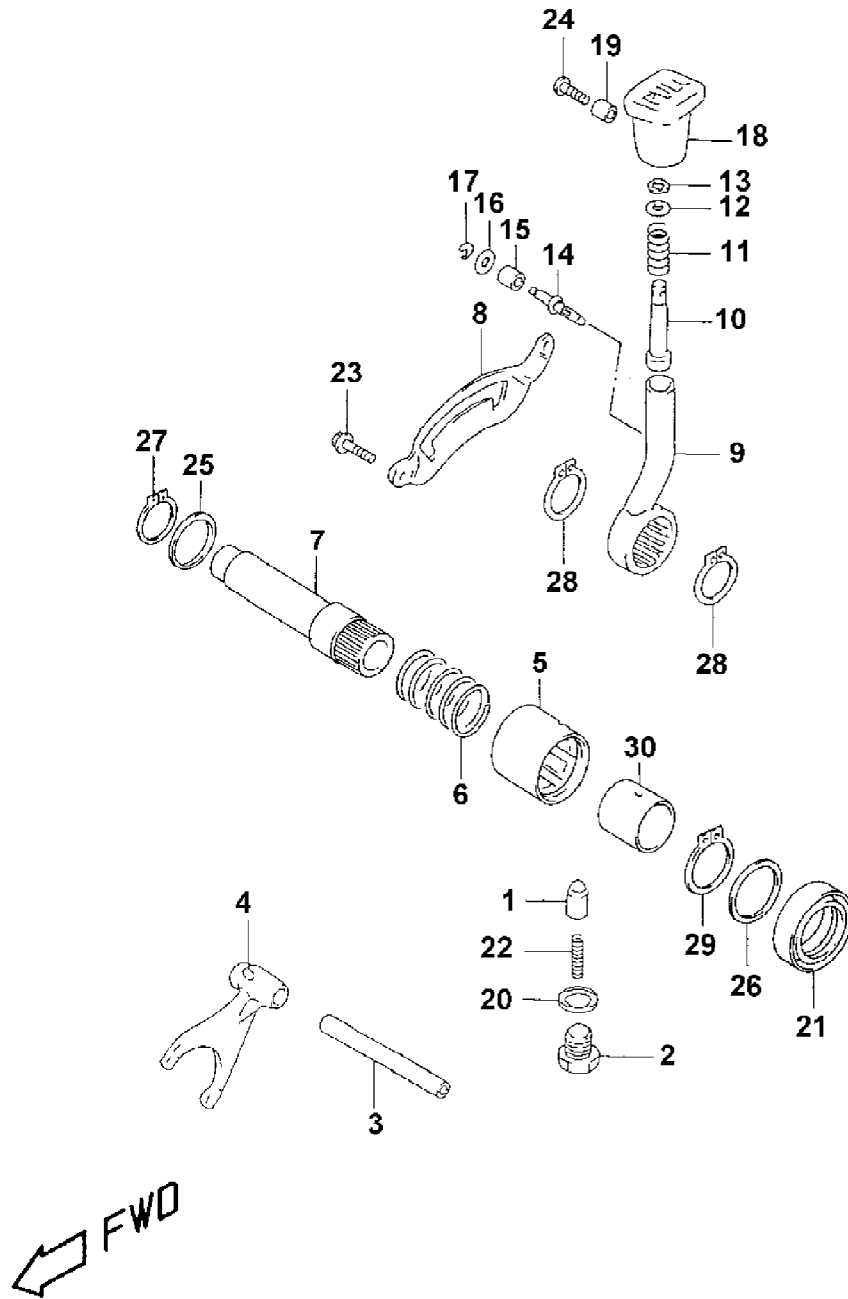
Ref #	Part Number	Qty	S/P/F	Description
1	0570-066	1	/P	Tank, Gas - Assembly (inc. 2-10)
2	0470-438	1	/P	Cap, Gas Tank (inc. 3)
3	0109-733	1	/P	3 Gasket, Tank Cap
4	0470-444	1	S	Gauge, Fuel w/Gasket (Press-Fit)
5	0423-398	2		1 Nut, Lock
6	0470-416	1	/P	Hose, Vent
7	0610-007	AR	/P	Hose, Gasline - 25 ft
8	0423-152	2		Clamp, Hose
9	0470-445	1	/P	Valve, Fuel Shut-Off (inc. 10)
10	0470-364	1		3 Gasket, Fuel Shut-Off Valve
11	0470-408	1		Knob, Fuel Shut-Off Valve
12	0423-146	1		Screw, Fuel Shut-Off Valve Knob
13	0423-130	2		Screw, Shoulder

2002 ATV 400 4X4/500 MANUAL TRANSMISSION (500 GREEN) (A2002ATM4R) Page 13 of 94
GEAR SHIFTING ASSEMBLY



2002 ATV 400 4X4/500 MANUAL TRANSMISSION (500 GREEN) (A2002ATM4R) Page 14 of 94
GEAR SHIFTING ASSEMBLY

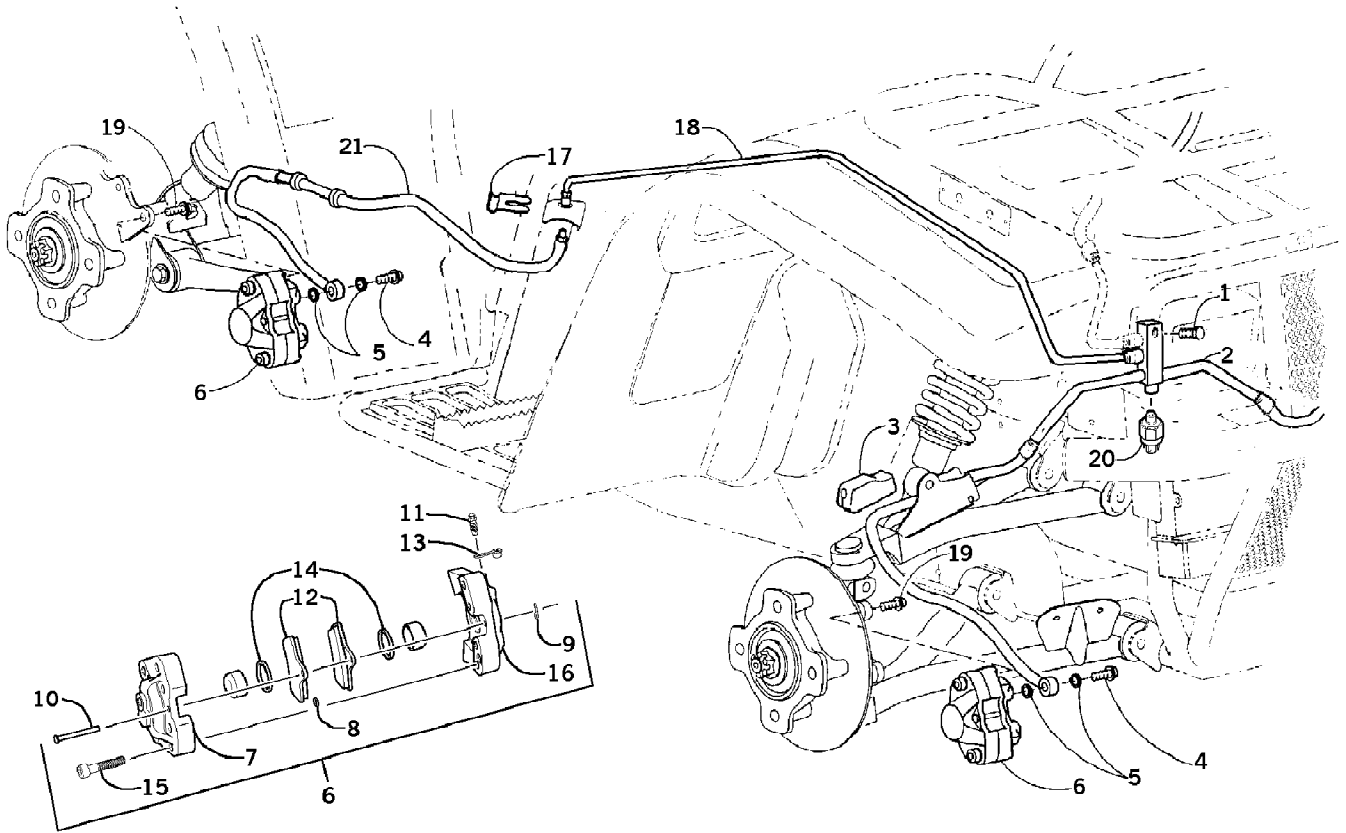
Ref #	Part Number	Qty	S/P/F	Description
1	3446-038	2		Fork (No. 2)
2	3446-039	1		Fork (No. 3)
3	3446-040	1		Fork, Reverse
4	3446-052	2		Shaft, Gear Shift Fork
5	3446-041	1		Cam, Gear Shift (inc. 6)
6	3423-114	1	/P	Pin, Gear Shift Cam
7	3446-241	1		Cam, Reverse Shift
8	3446-049	1		Plate, Gear Shift Cam
9	3446-050	1	S	Guide, Gear Shift Cam Plate
10	3423-357	1		Washer, Reverse Gear Shift Arm
11	3402-051	1		Bearing, Gear Shift Cam
12	3423-125	1	S	Bolt, Clutch Release Arm
13	3004-552	2	S	Screw, Cam Bearing Retainer
14	3423-135	2		Retainer, Bearing
15	3446-043	1		Stopper, Gear Shift Cam
16	3446-117	1		Stopper, Reverse Shift Cam
17	3446-164	1		Housing, Reverse Shift Cam Stopper
18	3446-047	1		Spring, Gear Shift Cam Stopper
19	3446-048	1		Support, Gear Shift Cam Stopper
20	3402-012	1		Gasket, Reverse Shift Cam Stopper Housing
21	3402-088	1		Spring, Reverse Shift Cam Stopper
22	3423-141	1		Washer, Gear Shift Cam Stopper
23	3423-142	1		Washer, Cam Stopper
24	3004-488	1	S/P	Nut, Cam Stopper Support
25	3446-243	1	S	Shaft, Gear Shift (inc. 42)
26	3446-054	1		Spacer, Gear Shift Shaft
27	3446-056	1		Stopper, Gear Shift Arm
28	3402-068	1	/P	Seal, Gear Shift Shaft Oil (400)
29	3402-076	1		Seal, Reverse Gear Shift Arm Oil
30	3402-094	1		Spring, Gear Shift Arm Return
31	3446-055	1		Arm, Reverse Gear Shift
32	3423-209	1		Washer, Reverse Gear Shift Arm
32	3423-204	1	/P	Washer, Reverse Gear Shift Arm (500)
33	3423-168	1	S	E-Ring, Reverse Gear Shift Arm
34	3423-166	2	S	Screw, Cap
35	3430-051	1		Base Assembly
36	3423-044	1		Contact, Neutral
37	3423-059	1		O-Ring
38	3004-787	1		Clamp
39	3002-964	1	/P	Clamp
40	3402-087	1		Spring
41	3402-008	1	/P	Hub, Gear Shift Shaft
42	3402-093	1		Spring, Gear Shift
43	0706-990	AR	/P	Tape, Foil
44	3423-358	1	S	Circlip, Reverse Gear Shift Arm
45	3402-068	1	/P	Seal, Gear Shift Shaft Oil (500)
46	3402-385	1		Bearing, Gear Shift Shaft (500)
47	3423-125	1	S	Bolt



2002 ATV 400 4X4/500 MANUAL TRANSMISSION (500 GREEN) (A2002ATM4R16) Page 16 of 94
 HI/LO SHIFTER ASSEMBLY

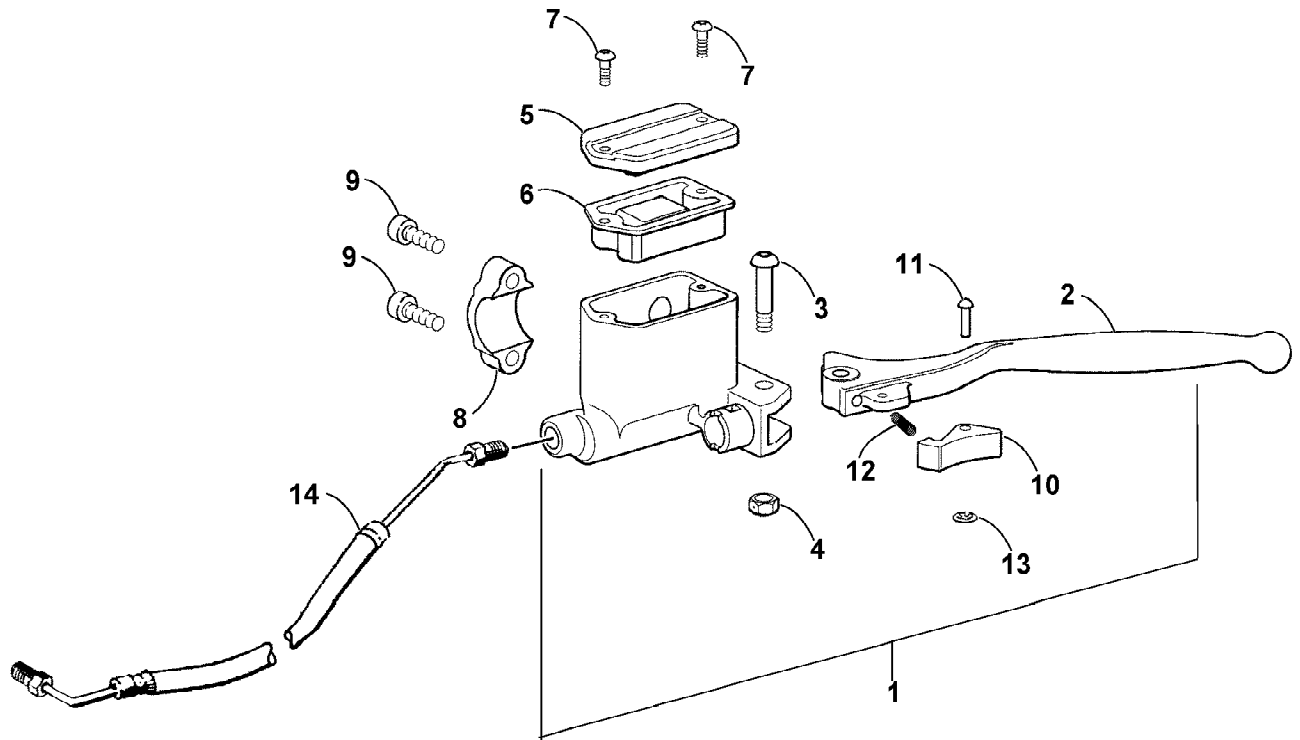
Ref #	Part Number	Qty	S/P/F	Description
1	3446-242	1		Stopper, Shift Cam
2	3446-046	1		Housing, Shift Cam Stopper
3	3446-051	1		Shaft, Shift Fork
4	3446-073	1		Fork, Shift
5	3446-074	1		Cam, Shift
5	3446-250	1		Cam, Shift (500)
6	3446-104	1		Spring
7	3446-251	1	S	Shaft, Shift
8	3446-077	1		Plate, Lever Stop
9	3446-105	1	/P	Lever, Shift - Assembly (inc. 10-17)
10	3446-252	1		Sub-Rod
11	3446-107	1		Spring
12	3423-155	1		Washer
13	3423-154	1		Circlip
14	3423-205	1		Pin
15	3446-106	1		Collar
16	3423-152	1	/P	Washer
17	3423-153	1		E-Clip
18	3446-078	1		Handle, Shift
19	3402-191	1		Spacer, Shift Handle
20	3402-012	1		Gasket, Shift Cam Stopper
21	3402-071	1	/P	Seal, Oil
22	3446-113	1		Spring
23	3004-377	2	S/P	Bolt, Lever Stop Plate
24	3423-156	1	S	Screw, Shift Handle
25	3402-382	1		Washer, Shift Cam
26	3423-158	1	/P	Washer, Shift Shaft - Left
27	3423-191	1	/P	Circlip, Cam Spring
28	3423-192	2	/P	Circlip, Shift Lever
29	3423-193	1	S/P	Circlip, Shift Shaft - Left
30	3446-112	1	/P	Spacer Set
30	3446-261	1		Spacer Set (500)

2002 ATV 400 4X4/500 MANUAL TRANSMISSION (500 GREEN) (A2002ATM4R) Page 17 of 94
HYDRAULIC BRAKE ASSEMBLY



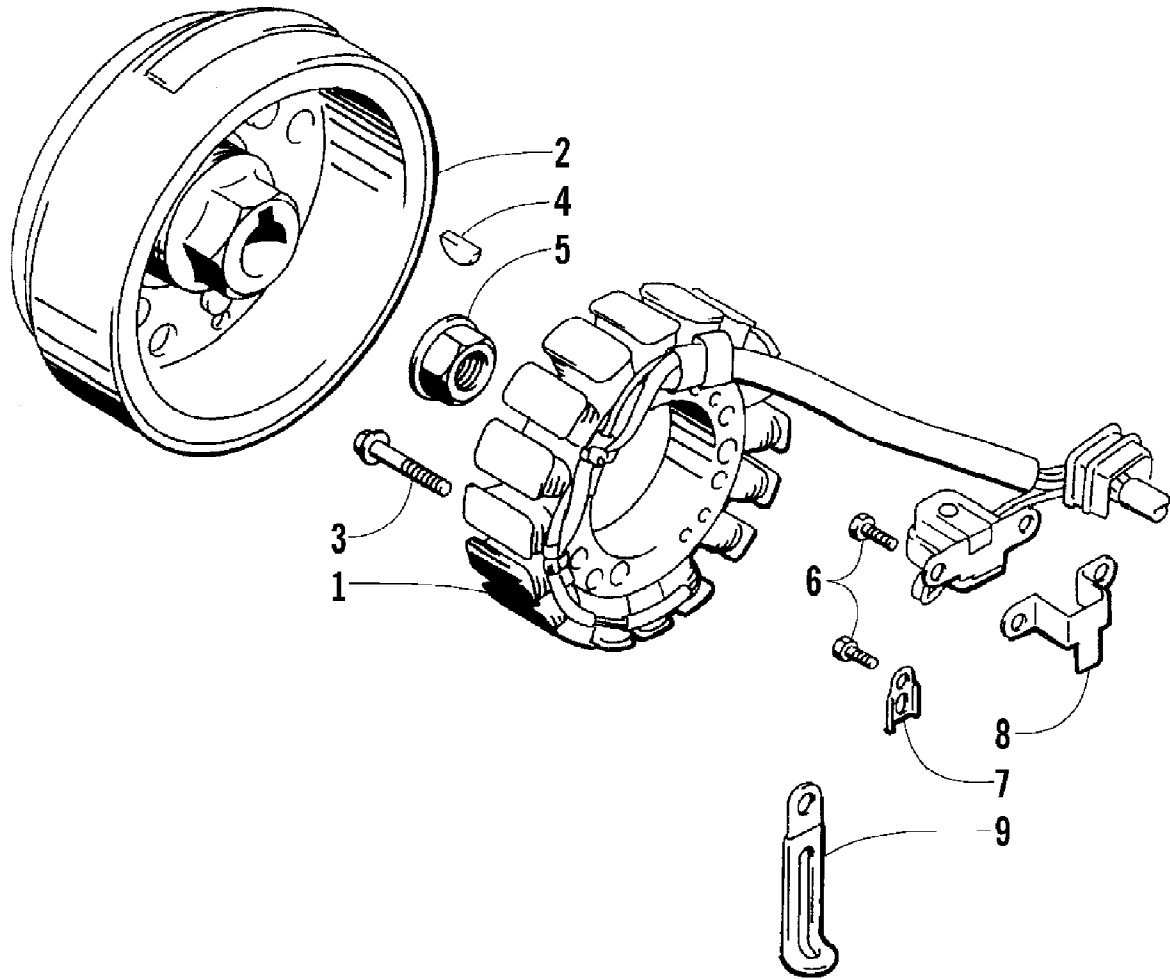
2002 ATV 400 4X4/500 MANUAL TRANSMISSION (500 GREEN) (A2002ATM4R) Page 18 of 94
HYDRAULIC BRAKE ASSEMBLY

Ref #	Part Number	Qty	S/P/F	Description
1	8476-630	1		Screw, Cap
2	0402-853	1	S	Hose, Brakeline - Front
3	0402-073	2		Block, Mounting
4	0423-389	3	/P	Bolt, Banjo Fitting
5	0423-039	6		Washer, Crush
6	0502-265	1		Caliper, Brake - Right Front (inc. 7-16)
6	0502-266	2	S	Caliper, Brake - Left Front and Right Rear (inc. 7-16)
7	0	3	F	Housing, Caliper
8	0402-490	3		O-Ring
9	0402-496	3	S	Pin, Cotter
10	0402-495	3		Pin, Brake Caliper
11	0402-493	3		Cap, Bleed Valve
12	0402-882	6	/P	Pad, Brake
13	0402-491	3	S	Valve, Bleed
14	0402-487	6		O-Ring, Brake Caliper
15	0402-492	12		Screw, Cap
16	0	3	F	Housing, Caliper
17	0402-597	1	/P	Clip, Brakeline
18	0402-855	1		Tube, Brake Line - Rear
19	8408-825	6		Screw, Cap
20	0402-901	1	S	Switch, Brake Pressure
21	0402-832	1		Hose, Brakeline - Rear



2002 ATV 400 4X4/500 MANUAL TRANSMISSION (500 GREEN) (A2002ATM4R1005) Page 10 of 94
HYDRAULIC HAND BRAKE ASSEMBLY

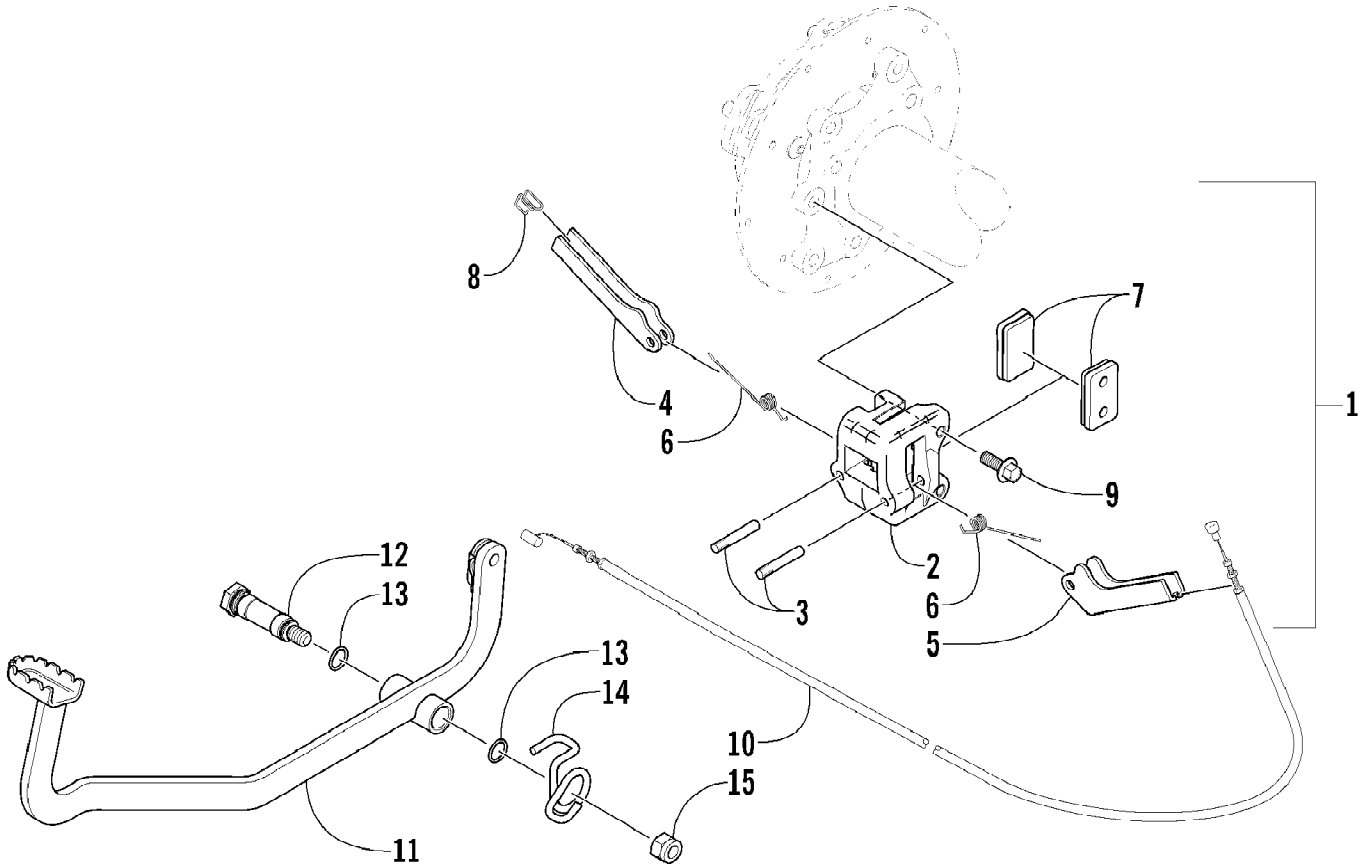
Ref #	Part Number	Qty	S/P/F	Description
1	0502-324	1	S	Cylinder, Master - Assembly (inc. 2-13)
2	0402-818	1	/P	Lever, Brake
3	0402-940	1	S	Screw
4	0402-941	1	/P	Nut, Lock
5	0402-544	1		Cover, Reservoir
6	0402-553	1		Bladder, Reservoir
7	0402-938	2		Screw
8	0402-894	1	/P	Clamp, Master Cylinder
9	0402-939	2		Screw
10	0402-892	1	S	Lock, Brake Lever
11	0402-936	1	/P	Rivet
12	0402-559	1		Spring, Brake - Lever Lock
13	0402-937	1	/P	Washer, Lock -Internal Tooth
14	0402-854	1		Hose, Brakeline



2002 ATV 400 4X4/500 MANUAL TRANSMISSION (500 GREEN) (A2002ATM4R1005) Page 2 of 94
 MAGNETO ASSEMBLY

Ref #	Part Number	Qty	S/P/F	Description
1	3430-011	1	/P	Stator Assembly
2	3430-012	1		Rotor/Flywheel
3	3423-162	3	S	Bolt
4	0691-785	1		Key
5	3423-086	1		Nut
6	3423-005	3	/P	Screw, Cap
7	3430-005	1		Clamp
8	3430-006	1		Clamp
9	3002-964	1	/P	Clamp, Wire

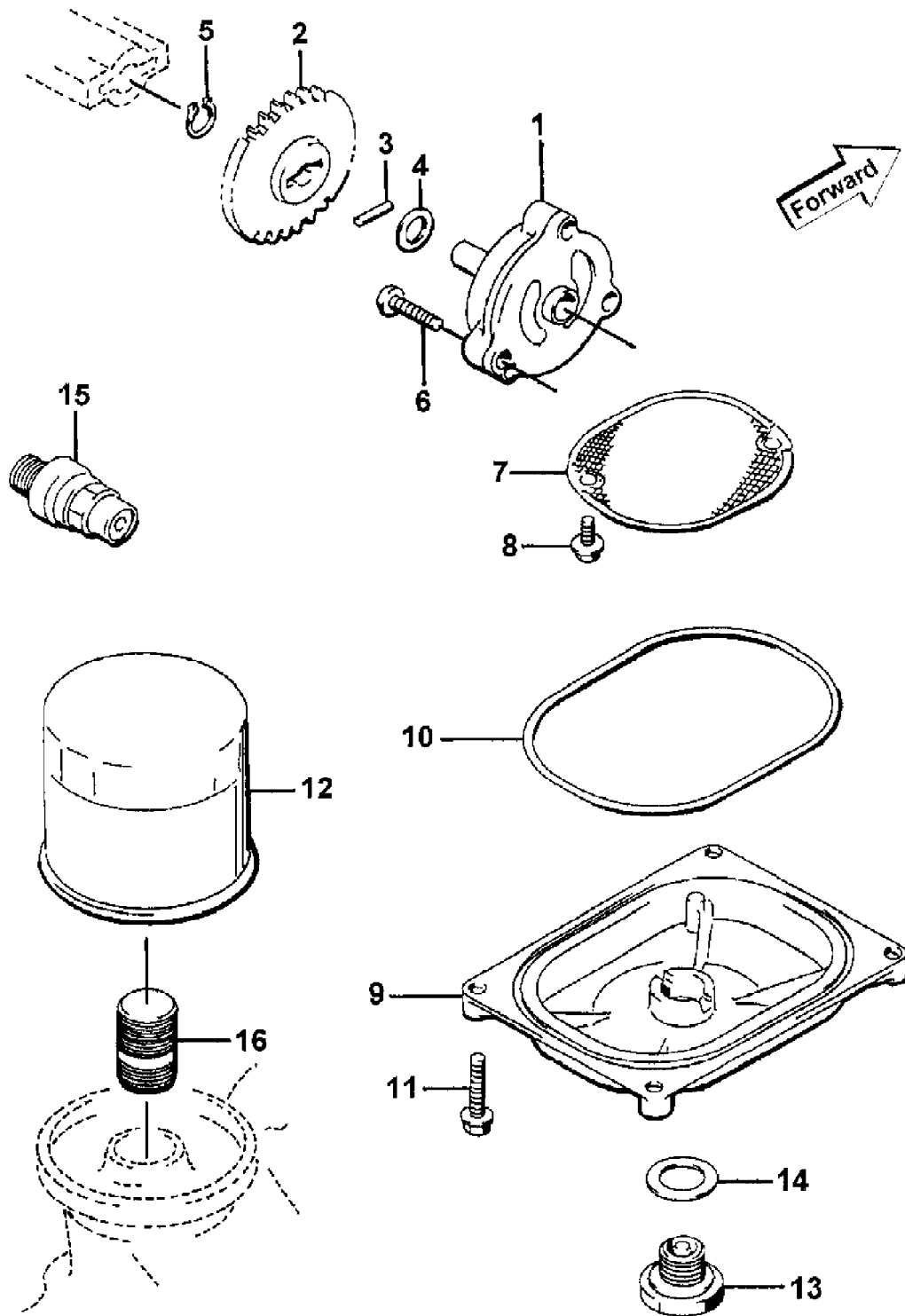
2002 ATV 400 4X4/500 MANUAL TRANSMISSION (500 GREEN) (A2002ATM4R) Page 3 of 94
MECHANICAL BRAKE ASSEMBLY



2002 ATV 400 4X4/500 MANUAL TRANSMISSION (500 GREEN) (A2002ATM4R1605) Page 5 of 94
MECHANICAL BRAKE ASSEMBLY

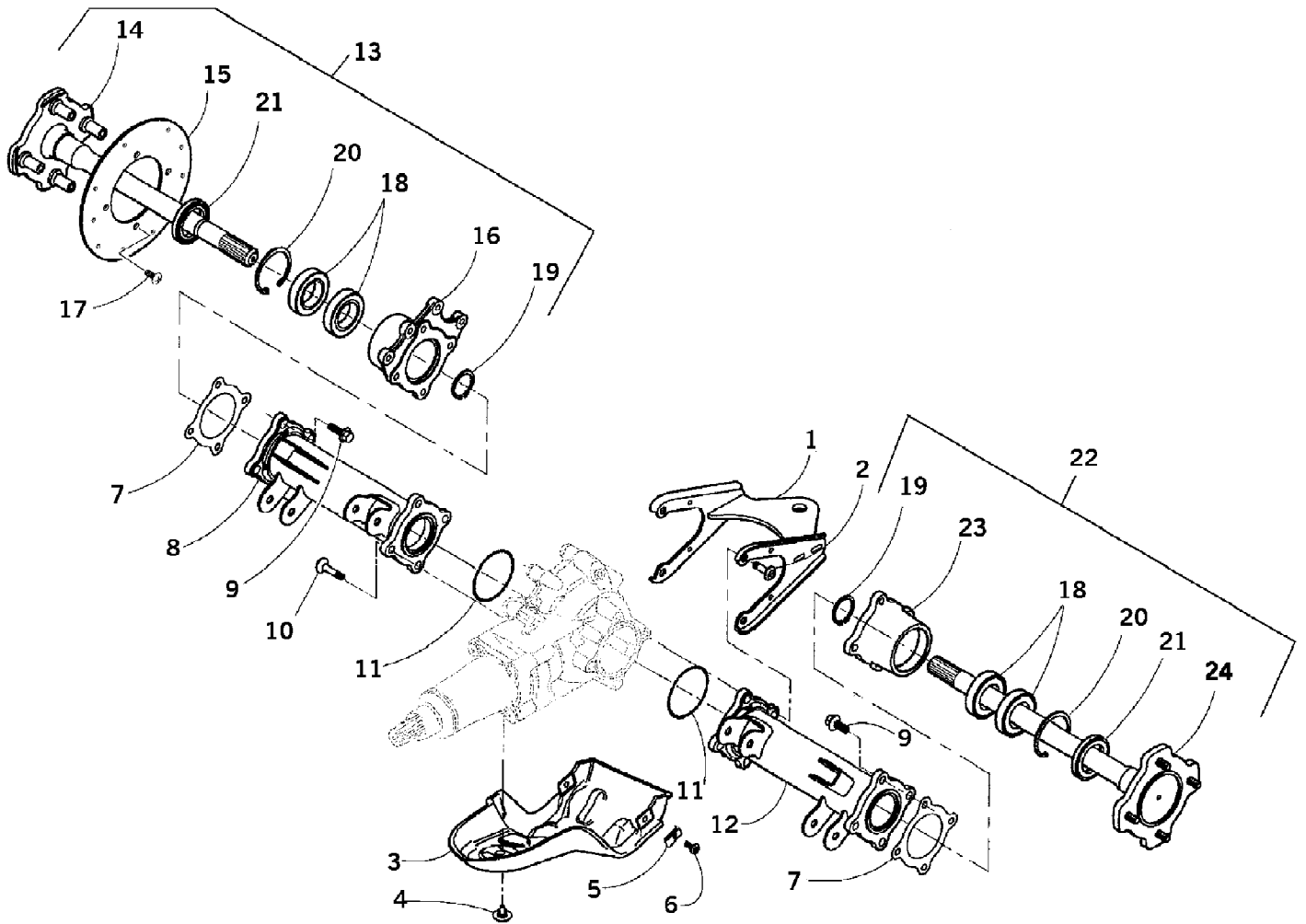
Ref #	Part Number	Qty	S/P/F	Description
1	0502-230	1	S	Mechanical Brake Assembly (inc. 2-7)
2	0	1	F	Housing, Brake
3	0	2	F	Pin, Arm
4	0	1	F	Arm, Inner
5	0	1	F	Arm, Outer
6	0	2	F	Spring, Arm
7	0402-958	2	/P	Pad, Brake
8	0402-379	1		Wire Form, Cable
9	8408-820	2	/P	Screw, Cap
10	0487-006	1		Cable, Brake - Rear
11	0502-252	1		Lever, Brake
12	0402-872	1		Axle, Brake Lever
13	0423-096	2		O-Ring
14	0402-838	1	S	Spring, Brake
15	8422-002	1		Nut

2002 ATV 400 4X4/500 MANUAL TRANSMISSION (500 GREEN) (A2002ATM4) Page 15 of 94
OIL FILTER/PUMP ASSEMBLY



2002 ATV 400 4X4/500 MANUAL TRANSMISSION (500 GREEN) (A2002ATM4R100) Page 56 of 94
OIL FILTER/PUMP ASSEMBLY

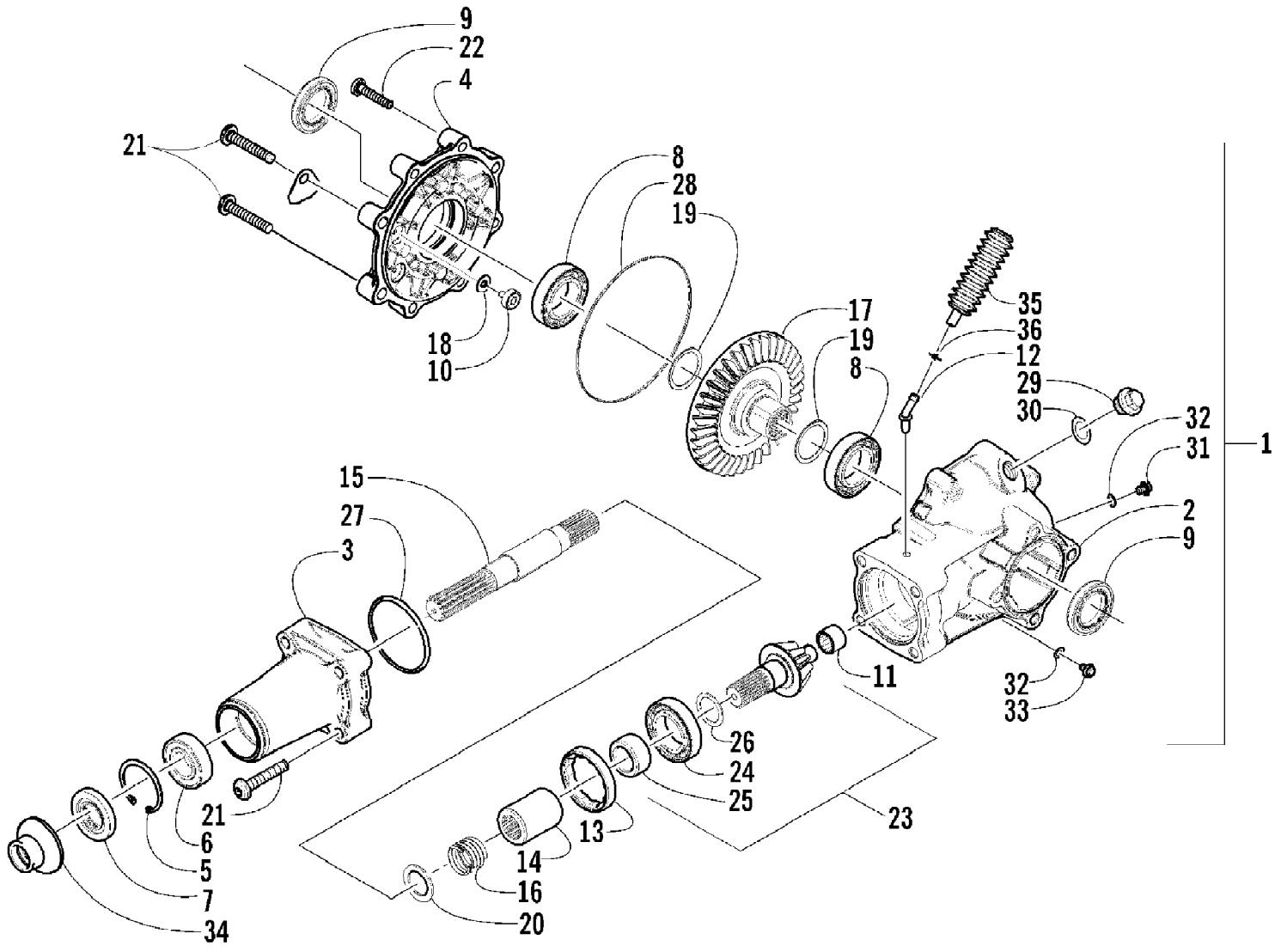
Ref #	Part Number	Qty	S/P/F	Description
1	3402-153	1		Pump, Oil
2	3402-026	1		Gear, Driven
3	3423-046	1		Pin
4	3423-115	1		Washer
5	3423-184	1	S	Circlip
6	3423-113	3	S/P	Screw, Cap
7	3402-156	1		Strainer, Oil
8	0693-389	2	S	Screw, Cap
9	3402-157	1		Cap, Oil Strainer
10	3423-077	1		O-Ring
11	3004-756	4	S	Screw, Cap
12	0436-146	1	S	Filter, Oil
13	3402-036	1	S	Plug, Drain
14	3402-012	1		Gasket
15	3402-154	1		Valve, Assembly - Oil Relief
15	3402-359	1		Valve, Assembly - Oil Relief (500)
16	3402-158	1	S	Union, Oil Filter



2002 ATV 400 4X4/500 MANUAL TRANSMISSION (500 GREEN) (A2002ATM4R) Page 18 of 94
REAR AXLE ASSEMBLY

Ref #	Part Number	Qty	S/P/F	Description
1	0506-675	1		Hitch, Trailer
2	0423-116	4		Screw, Self-Tapping
3	0406-415	1		Panel, Gearcase
4	0423-101	1		Screw, Body
5	0423-031	2		Nut, Speed
6	8477-616	2		Screw, Machine
7	0402-374	2		Gasket, Axle Housing
8	0502-090	1		Housing, Axle - Right
9	8409-025	8		Screw, Cap
10	0423-117	4		Screw, Self-Tapping
11	0423-119	2		O-Ring
12	0502-091	1		Housing, Axle - Left
13	0502-267	1	/P	Retainer, Axle - Assembly - Right (inc. 14-17, two No. 18, and one No. 19-21)
14	0502-272	1	/P	Axle Assembly - Right
15	0402-874	1	S	Disc, Brake
16	0502-096	1	S	Housing, Bearing - Right
17	0423-029	4		Screw, Shoulder
18	0402-339	4		Bearing
19	0402-351	2		Ring, Retaining
20	0402-347	2		Ring, Retaining
21	0402-348	2		Seal
22	0502-274	1	S	Retainer, Axle - Assembly - Left (inc. one No. 19-21 and 23-24)
23	0502-097	1	S	Housing, Bearing - Left
24	0502-273	1	/P	Axle Assembly - Left

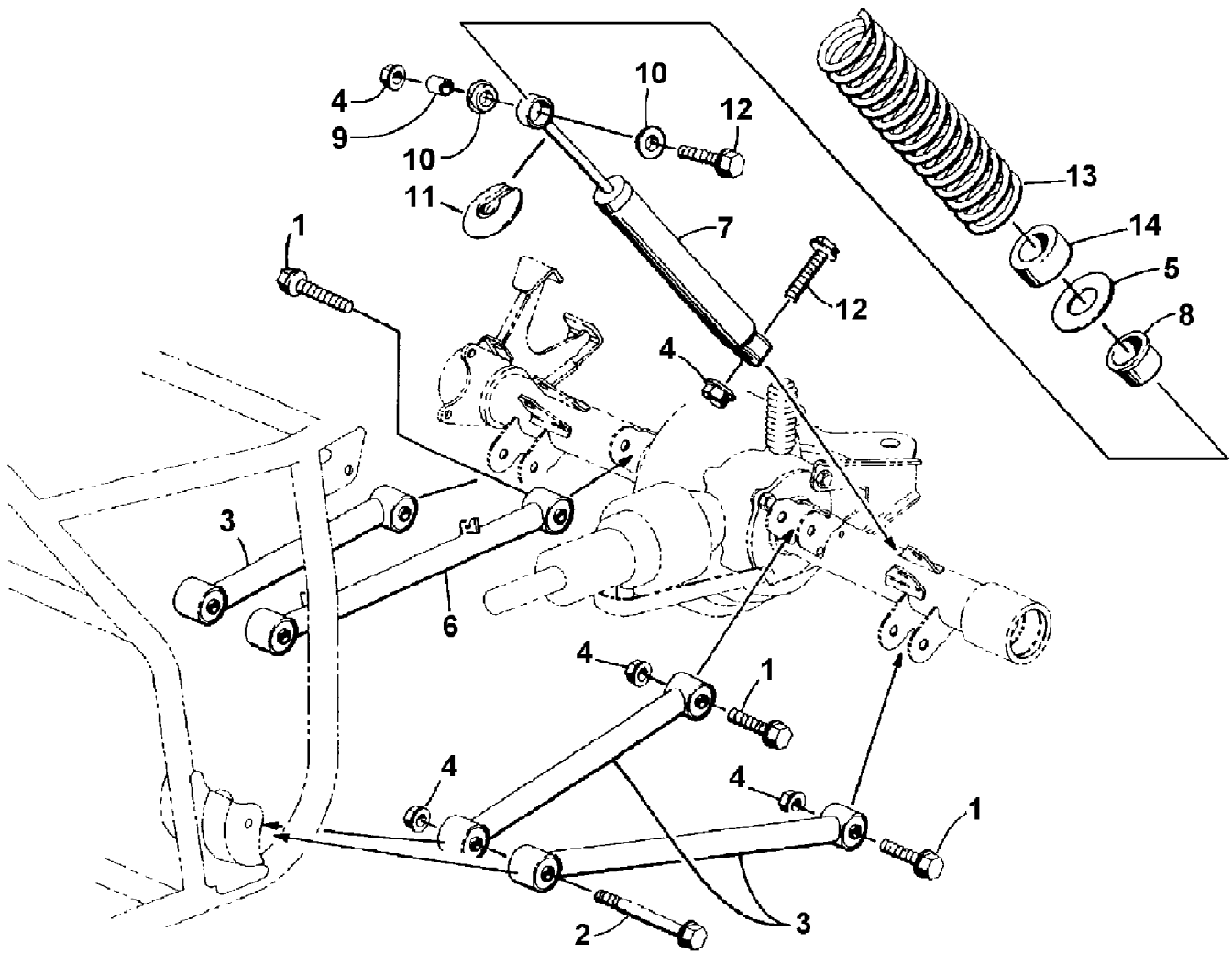
2002 ATV 400 4X4/500 MANUAL TRANSMISSION (500 GREEN) (A2002ATM4R) Page 19 of 94
REAR DRIVE GEARCASE ASSEMBLY



2002 ATV 400 4X4/500 MANUAL TRANSMISSION (500 GREEN) (A2002ATM4R) Page 10 of 94
REAR DRIVE GEARCASE ASSEMBLY

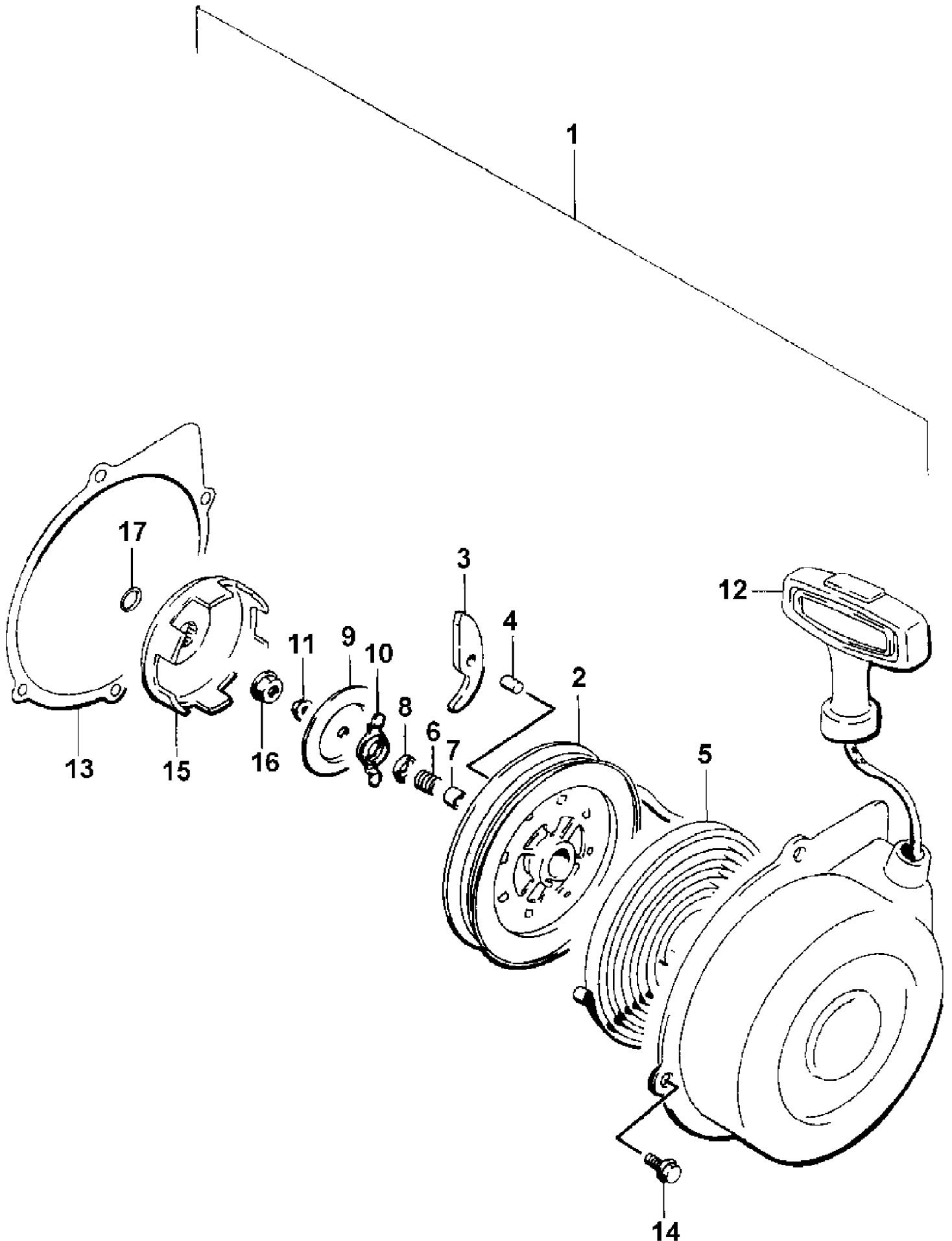
Ref #	Part Number	Qty	S/P/F	Description
	0502-249	1		Complete Assembly
1	0502-249	1		Gearcase, Rear Drive - Assembly (inc. 2-33)
2	0502-088	1		Housing, Gearcase
3	0502-087	1		Housing, Pinion
4	0502-089	1		Cover, Gearcase
5	0402-321	1		Ring, Retaining
6	0402-322	1		Bearing
7	0402-323	1		Seal
8	0402-324	2		Bearing
9	0402-325	2		Seal
10	0402-326	1		Button, Thrust
11	0402-328	1		Bearing, Needle
12	0402-330	1		Fitting
13	0402-331	1		Collar, Lock
14	0402-335	1		Collar, Shaft
15	0402-902	1	/P	Shaft, Thrust
16	0402-338	1		Spring, Compression
17	0402-381	1		Gear, Ring - 36T
18	0402-429	AR		Shim
18	0402-430	AR		Shim
18	0402-431	AR		Shim
18	0402-432	AR		Shim
18	0402-433	AR		Shim
19	0402-434	AR		Shim
19	0402-435	AR		Shim
19	0402-436	AR		Shim
19	0402-437	AR		Shim
19	0402-438	AR		Shim
20	0423-111	1		Washer
21	0423-115	6		Screw, Self-Tapping
22	0423-118	6		Screw, Self-Tapping
23	0502-123	1		Gear, 1 OT - Assembly (inc. 24-26)
24	0402-327	1		Bearing
25	0402-336	1		Collar, Retaining
26	0402-424	AR		Shim
26	0402-425	AR		Shim
26	0402-426	AR		Shim
26	0402-427	AR		Shim
26	0402-428	AR		Shim
27	0423-148	1		O-Ring
28	0423-149	1		O-Ring
29	0402-333	1	/P	Plug, Fill (inc. 30)
30	0423-154	1		O-Ring, Fill Plug
31	0402-334	1		Plug, Drain (inc. one No. 32)
32	0423-153	2		O-Ring, Drain Plug
33	0402-450	1	S	Plug, Drain - Magnetic (inc. one No. 32)
34	0402-884	1		Boot, Rear Drive Gearcase
35	0402-147	1	S	Bladder, Gearcase
36	0423-315	1		Clamp, Fitting

2002 ATV 400 4X4/500 MANUAL TRANSMISSION (500 GREEN) (A2002ATM4R) Page 1 of 94
REAR SUSPENSION ASSEMBLY



2002 ATV 400 4X4/500 MANUAL TRANSMISSION (500 GREEN) (A2002ATM4R100) Page 12 of 94
REAR SUSPENSION ASSEMBLY

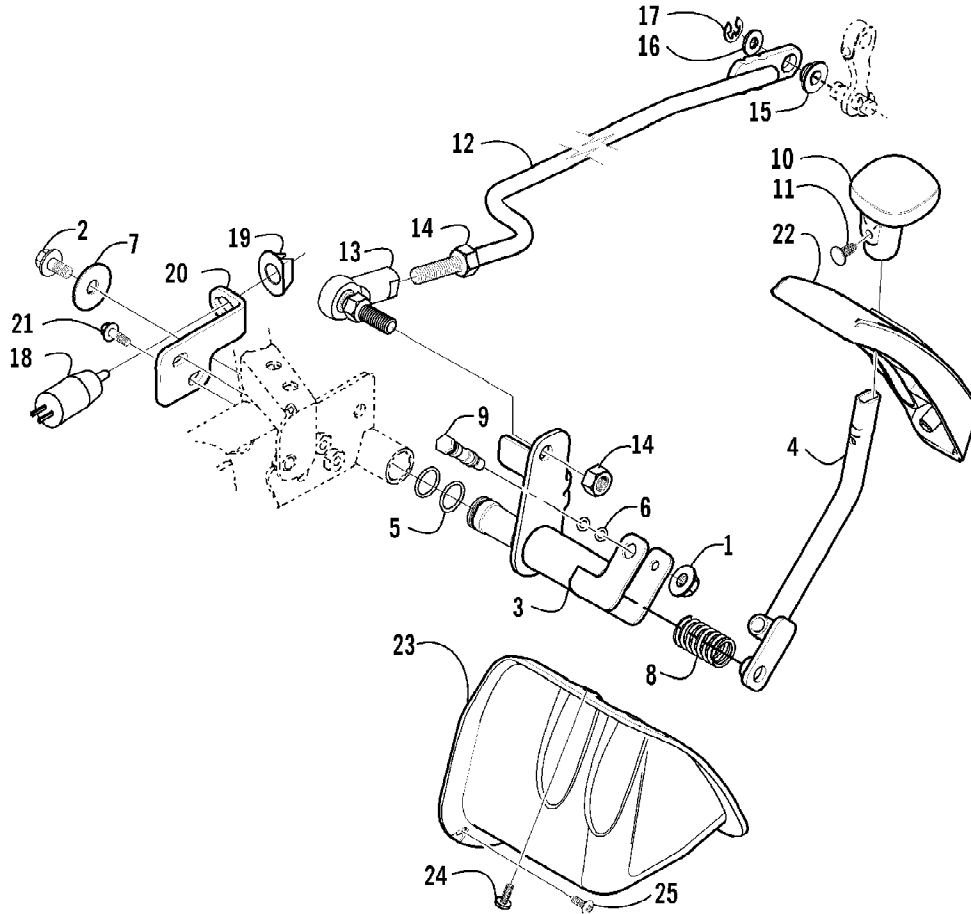
Ref #	Part Number	Qty	S/P/F	Description
1	8409-060	4		Screw, Cap
2	0423-335	2		Screw, Cap
3	0504-218	3		Arm, Swing
4	8428-002	10		Nut, Lock
5	0403-013	2		Washer, Spring Adjustment
6	0504-246	1		Arm, Swing
7	0404-042	2		Shock Absorber - Rear (inc. 8-10)
8	0403-027	2		Retainer, Spring - Lower
9	0403-028	4		Sleeve, Shock Absorber
10	0604-310	8		Bushing, Shock Absorber
11	1603-889	2	/P	Retainer, Spring - Upper
12	8409-040	4		Screw, Cap
13	0404-043	2	S	Spring, Shock Absorber
14	0403-098	2	S	Collar, Spring



2002 ATV 400 4X4/500 MANUAL TRANSMISSION (500 GREEN) (A2002ATM4R) Page 14 of 94
RECOIL STARTER ASSEMBLY

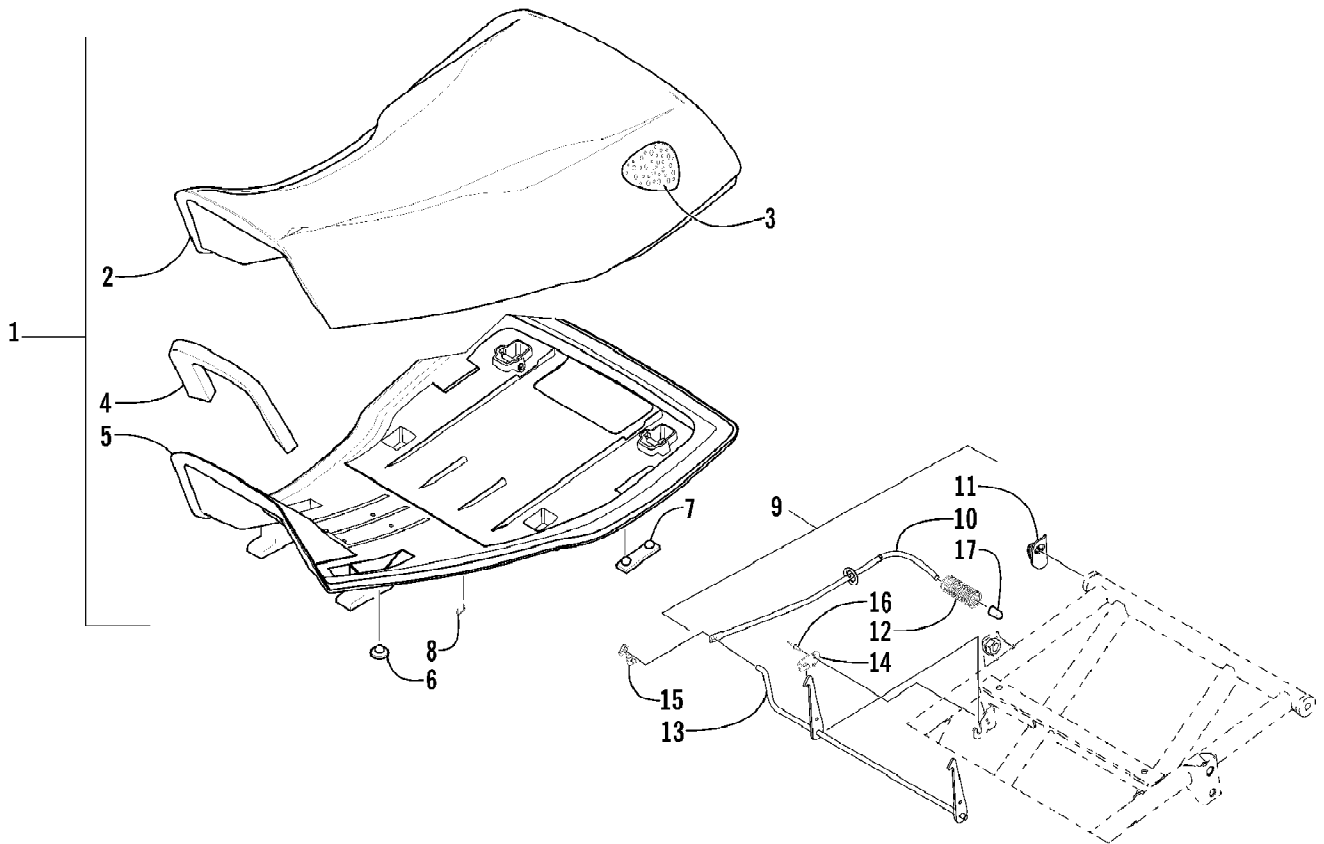
Ref #	Part Number	Qty	S/P/F	Description
1	3445-003	1		Starter, Recoil - Assembly (inc. 2-12)
2	3445-004	1		Reel
3	3445-016	1		Ratchet Assembly (inc. 4 and 6-10)
4	0	1	F	Pin, Ratchet
5	3445-007	1		Spring, Spiral
6	0	1	F	Spring, Friction
7	0	1	F	Shaft
8	0	1	F	Cover, Spring
9	0	1	F	Plate, Friction
10	0	1	F	Guide, Ratchet
11	3004-488	1	S/P	Nut
12	3445-011	1		Rope Assembly
13	3445-013	1	/P	Gasket
14	3423-112	4	S	Screw, Cap
15	3445-015	1		Cup, Starter
15	3445-026	1	S	Cup, Starter (500)
16	3004-491	1	S/P	Nut
17	3423-053	1	/P	O-Ring

2002 ATV 400 4X4/500 MANUAL TRANSMISSION (500 GREEN) (A2002ATM4) Page 35 of 94
REVERSE SHIFT LEVER ASSEMBLY



2002 ATV 400 4X4/500 MANUAL TRANSMISSION (500 GREEN) (A2002ATM4R) Page 6 of 94
REVERSE SHIFT LEVER ASSEMBLY

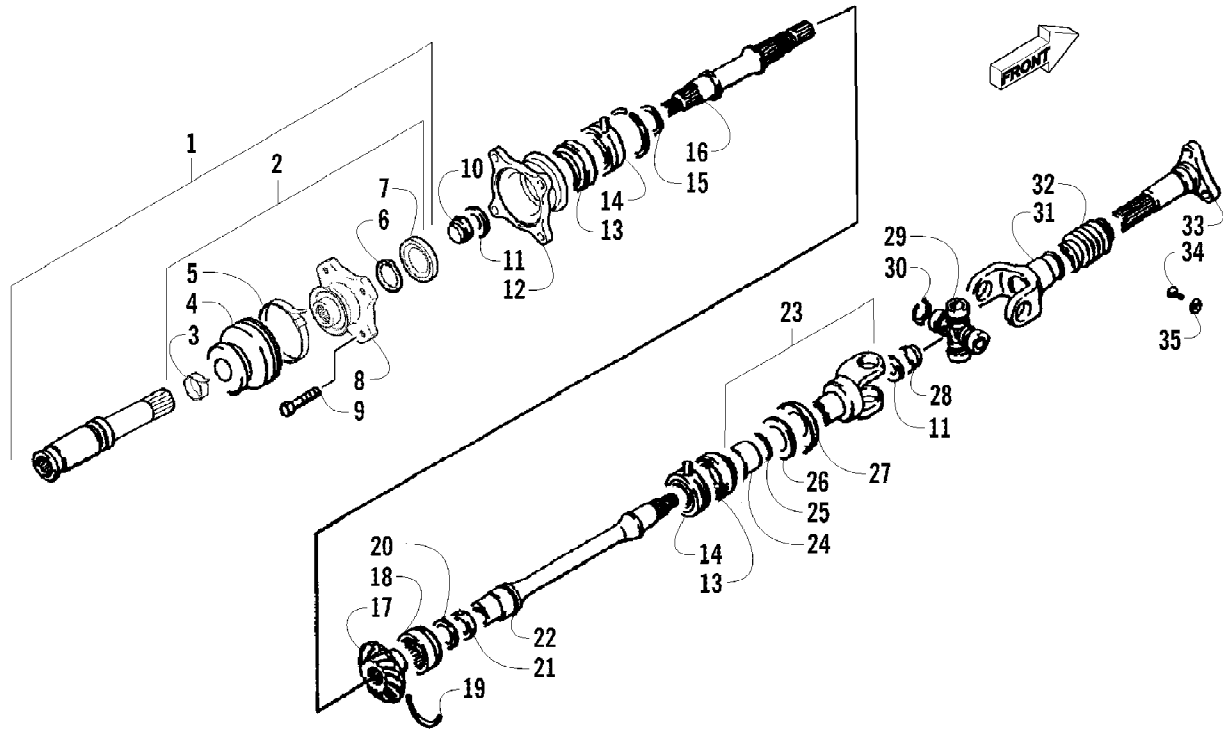
Ref #	Part Number	Qty	S/P/F	Description
1	8424-602	1	/P	Nut
2	8408-812	1		Screw, Cap
3	0502-237	1		Axle, Reverse Shift Lever
4	0502-185	1		Lever, Reverse Shift
5	0423-299	2	/P	O-Ring
6	0423-182	2	/P	O-Ring
7	0423-087	1		Washer
8	0402-678	1	/P	Spring, Lever
9	0402-675	1		Axle, Pivot
10	0402-843	1	/P	Handle, Lever
11	0423-345	1		Clip, Push
12	0502-311	1	S	Linkage, Shifting
13	0402-844	1		End, Rod
14	0623-294	2		Nut
15	0423-091	1		Bushing
16	8050-242	1		Washer
17	0423-063	1		E-Ring
18	0409-008	1		Reverse Switch
19	0402-168	1	/P	Retainer, Reverse Switch
20	0406-938	1	S	Bracket, Reverse Switch
21	8408-616	2		Screw, Cap
22	0402-847	1		Plate, Shift
23	0406-943	1		Shield, Linkage
24	0423-371	3		Screw, Machine
25	0623-309	1		Screw, Self-Tapping



2002 ATV 400 4X4/500 MANUAL TRANSMISSION (500 GREEN) (A2002ATM4R1606) Page 18 of 94
 SEAT ASSEMBLY

Ref #	Part Number	Qty	S/P/F	Description
1	0506-558	1		Seat Assembly (inc. 2-8)
2	0506-556	1		Cover, Seat
3	0506-555	1		Foam, Seat
4	1406-060	1		Foam, Sound
5	0406-878	1		Base, Seat Assembly (inc. 6-7)
6	0406-877	2	/P	Bumper, Seat - Front
7	0406-879	2		Bumper, Seat - Rear
8	0624-100	AR		Staple
9	0506-702	1	/P	Rod, Seat Release -Assembly (inc. 10-12)
10	0506-701	1	S	Rod, Seat Release
11	1406-004	1		Bracket, Seat Release
12	1406-005	1		Spring, Seat Release
13	0506-606	1		Latch, Seat
14	0406-923	1		Plate, Retainer
15	0423-358	1		Clip, Retainer
16	8060-284	1		Rivet
17	0623-404	1		Cap, Protector

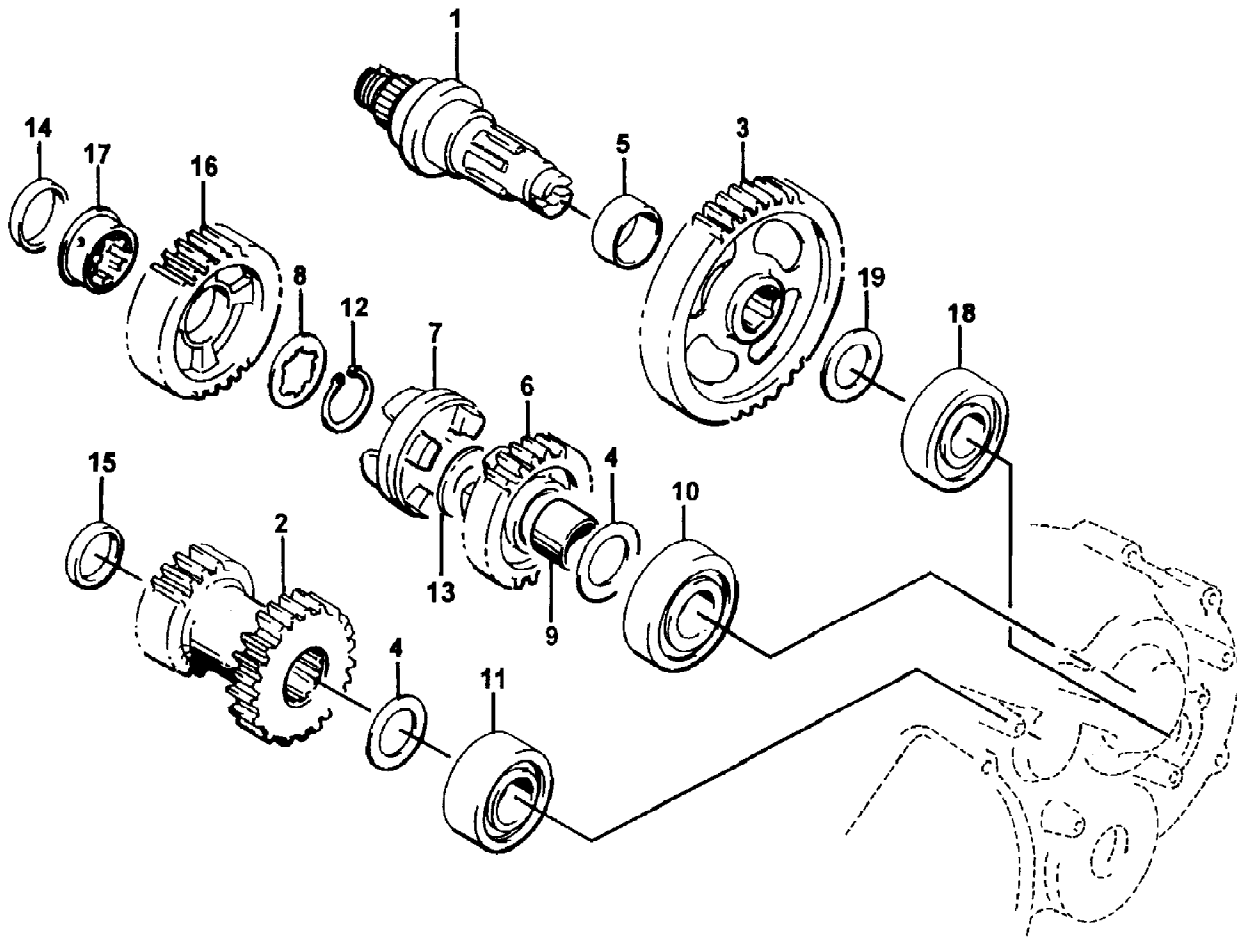
2002 ATV 400 4X4/500 MANUAL TRANSMISSION (500 GREEN) (A2002ATM4R163)
SECONDARY DRIVE ASSEMBLY Page 19 of 94



2002 ATV 400 4X4/500 MANUAL TRANSMISSION (500 GREEN) (A2002ATM4R) Page 70 of 94
SECONDARY DRIVE ASSEMBLY

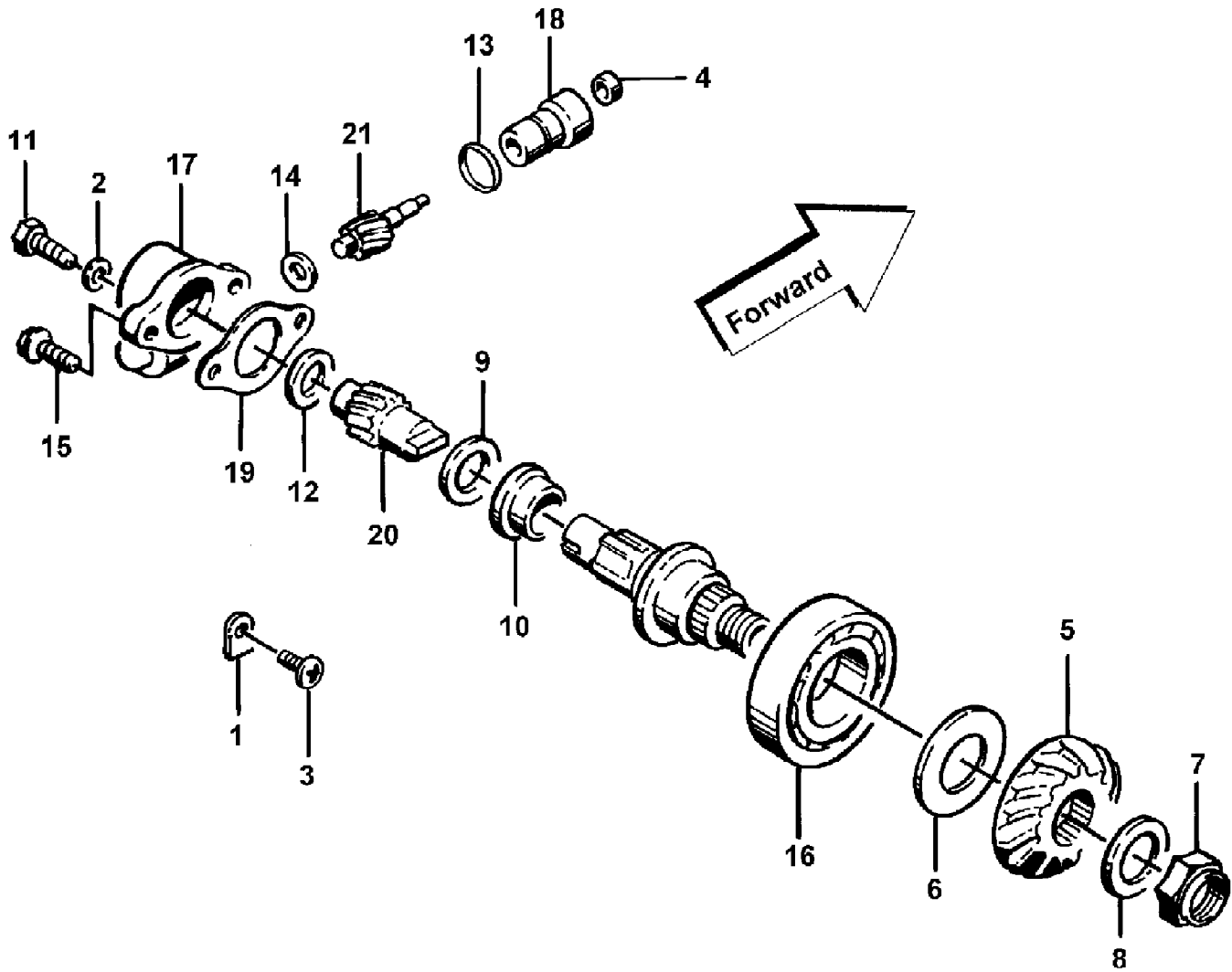
Ref #	Part Number	Qty	S/P/F	Description
1	3435-010	1		Joint Assembly, Rear Output (inc. 2-8)
2	3435-066	1		Boot, Joint - Set (inc. 3-7)
3	3423-212	1		Band
4	3435-067	1		Boot
5	3423-211	1		Band
6	3423-210	1		Ring, Snap
7	3423-356	1		Seal, Plate
8	0	1	F	Flange, Output
9	8408-820	4	/P	Screw, Cap
10	3423-025	1		Nut
11	3423-028	2		Washer
12	3435-003	1	S	Flange, Output Joint
13	3402-072	2		Seal, Oil
14	3402-067	2	S	Bearing w/ Locating Ring and Pin
15	3402-017	1		Shim - 0.60 mm
15	3402-018	1		Shim - 0.65 mm
15	3402-019	1		Shim - 0.70 mm
15	3402-020	1		Shim - 0.75 mm
15	3402-021	1	S	Shim - 0.80 mm
15	3402-022	1		Shim - 0.85 mm
15	3402-023	1		Shim - 0.90 mm
15	3402-024	1		Shim - 0.95 mm
15	3402-025	1	S	Shim - 1.00 mm
15	3402-028	1		Shim - 1.05 mm
15	3402-029	1		Shim - 1.10 mm
15	3402-030	1		Shim - 1.15 mm
15	3402-031	1		Shim - 1.20 mm
16	3446-240	1	S	Shaft - Rear
17	3446-222	1	/P	Gear
18	3402-062	1	S	Bearing w/Groove
19	3423-072	1		Ring, Bearing
20	3423-137	1		Washer
21	3423-136	1		Nut
22	3446-239	1		Shaft - Front
23	3435-001	1	S	Yoke, Drive Output (inc. 24-27)
24	3435-029	1		Collar, Yoke
25	3423-060	1		O-Ring
26	3435-030	1		Plate, Yoke Collar
27	3423-035	1		Plate, Yoke Collar
28	3423-025	1		Nut
29	3435-011	1		Joint Set, Universal (inc. 30)
30	3423-067	4		Circlip
31	3435-002	1		Yoke, Joint
32	3402-518	1	S	Boot, Propeller Shaft
33	0502-151	1		Shaft, Propeller
34	3004-552	1	S	Screw, Cap
35	3423-135	2		Retainer

2002 ATV 400 4X4/500 MANUAL TRANSMISSION (500 GREEN) (A2002ATM400) (500) Page 1 of 94
SECONDARY TRANSMISSION ASSEMBLY



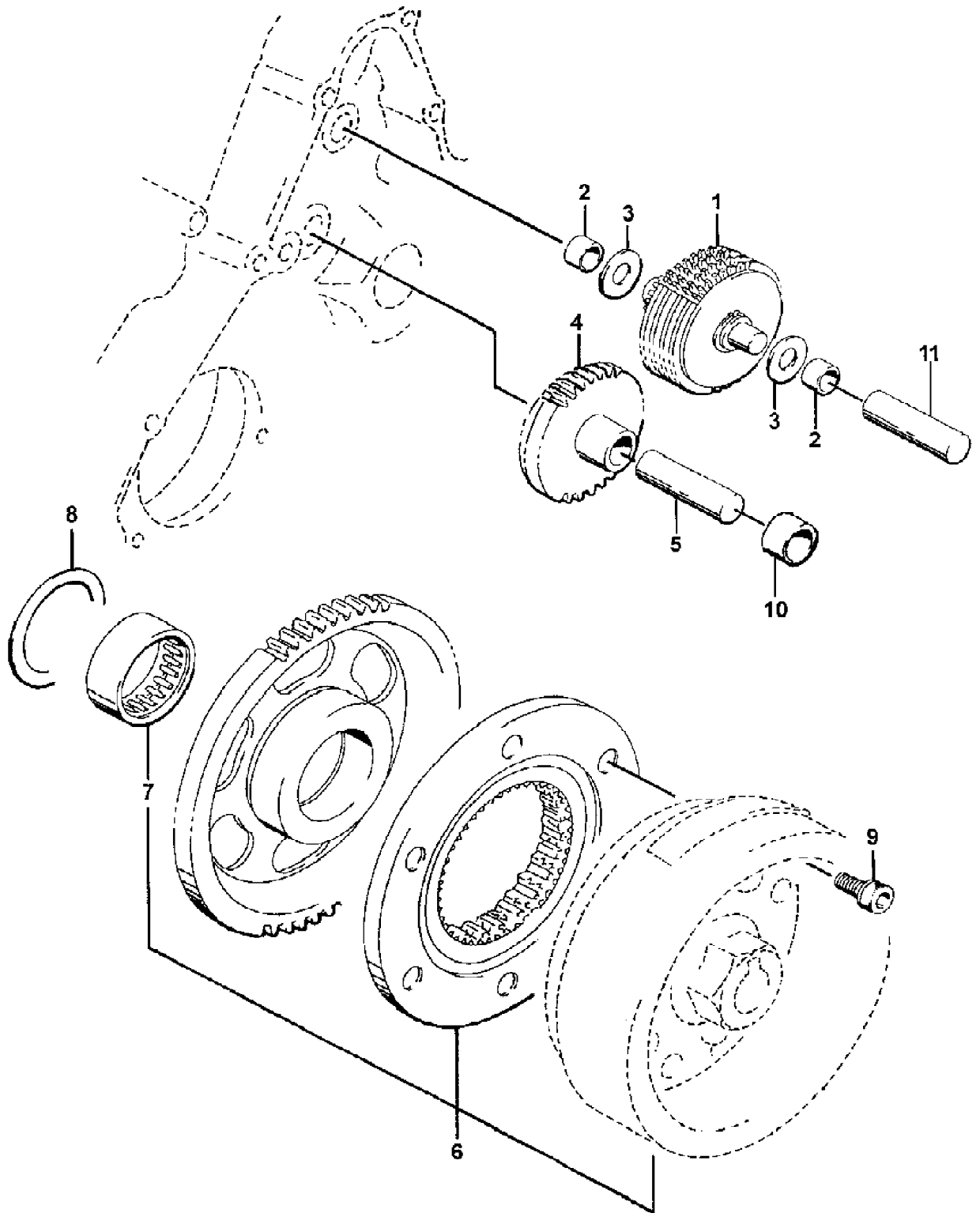
2002 ATV 400 4X4/500 MANUAL TRANSMISSION (500 GREEN) (A2002ATM4R16G7) Page 72 of 94
SECONDARY TRANSMISSION ASSEMBLY

Ref #	Part Number	Qty	S/P/F	Description
1	3446-262	1	/P	Shaft, Output
2	3446-066	1		Gear, Idle
3	3446-072	1		Gear, Driven
4	3423-150	2	/P	Washer
4	3402-381	2	/P	Washer (500)
5	3402-015	1		Spacer
6	3446-070	1		Gear No. 2 - Driveshaft
6	3446-248	1		Gear No. 2 - Driveshaft (500)
7	3446-108	1		Dog, Select Sliding
7	3446-249	1		Dog, Select Sliding (500)
8	3423-036	1		Washer
9	3446-103	1		Bushing
10	3402-046	1		Bearing, Driveshaft - Left
11	3402-047	1	S	Bearing, Countershaft - Left
12	3423-066	1	/P	Circlip No. 1
13	3423-126	1	/P	Washer, Gear No. 2
13	3402-195	1		Washer, Gear No. 2 (500)
14	3446-068	1		Spacer
14	3446-246	1		Spacer (500)
15	3423-148	1		Spacer, Idle Gear
16	3446-067	1		Gear No. 1 - Driveshaft
16	3446-245	1		Gear No. 1 - Driveshaft (500)
17	3446-069	1	S	Bushing
17	3446-247	1		Bushing (500)
18	3402-045	1	/P	Bearing Set - Left
19	3423-150	1	/P	Washer



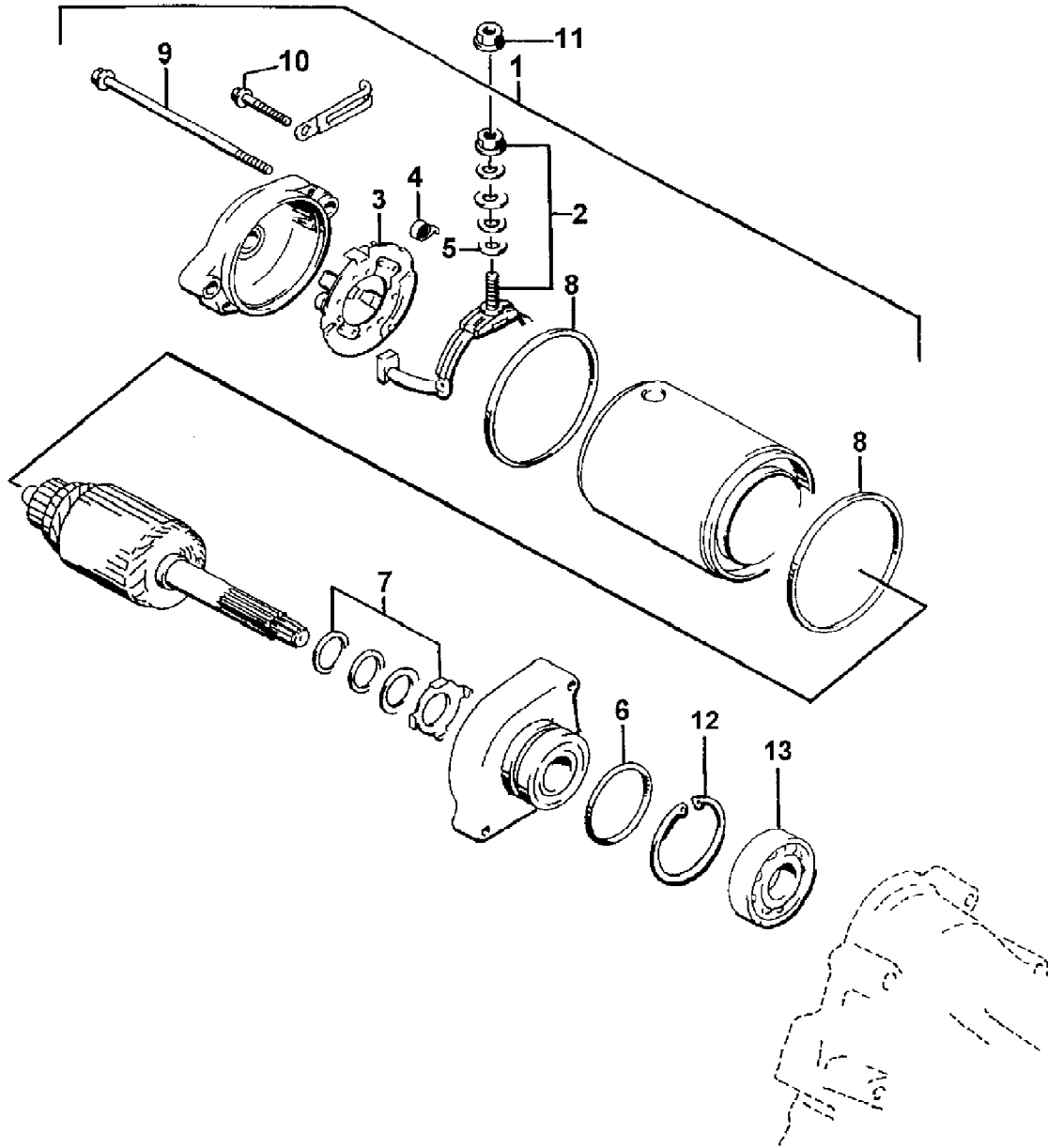
2002 ATV 400 4X4/500 MANUAL TRANSMISSION (500 GREEN) (A2002ATM4R16G) Page 74 of 94
SPEEDOMETER DRIVE ASSEMBLY

Ref #	Part Number	Qty	S/P/F	Description
1	3446-031	2	/P	Retainer, Bearing
2	3402-009	1	/P	Washer, Drive
3	3004-552	2	S	Screw, Retainer
4	3402-077	1		Seal, Driven Gear
5	3446-221	1	S	Gear
6	3446-035	1		Shim Set
7	3423-023	1		Nut
8	3423-032	1		Washer
9	3423-146	1		Washer - Right
10	3446-114	1	/P	Spacer, Drive Gear
11	3423-143	1	S	Bolt, Gear
12	3423-145	1		Washer
13	3423-056	1		O-Ring
14	3423-144	1		Washer
15	3423-346	2	S	Bolt, Housing
16	3402-180	1	S	Bearing Set - Right
17	3446-057	1		Housing, Speedometer Gear
18	3446-058	1		Sleeve
19	3446-244	1	/P	Gasket
20	3446-060	1		Gear, Drive
21	3446-061	1		Gear, Driven



2002 ATV 400 4X4/500 MANUAL TRANSMISSION (500 GREEN) (A2002ATM4R16G) Page 76 of 94
 STARTER CLUTCH ASSEMBLY

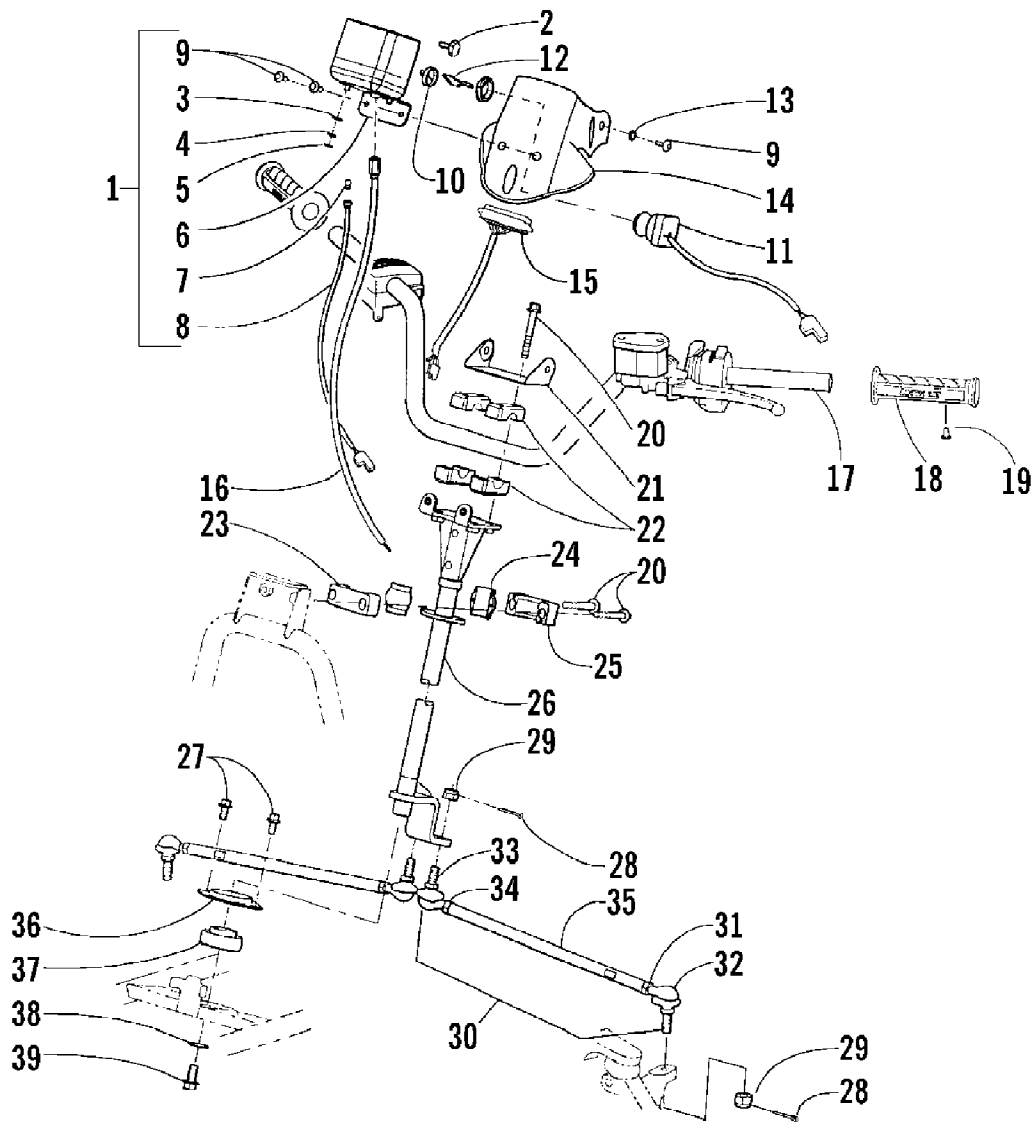
Ref #	Part Number	Qty	S/P/F	Description
1	3402-344	1	S	Gear, Starter Idler - No. 1 (400)
1	3402-123	1		Gear, Starter Idler - No. 1 (500)
2	3402-125	2		Bushing (500)
3	3423-103	2	/P	Washer (500)
4	3402-124	1		Gear, Starter Idler- No. 2 (400)
4	3402-349	1		Gear, Starter Idler- No. 2 (500)
5	3423-042	1		Pin
6	3402-380	1	/P	Clutch, Starter- Set (inc. 7)
7	3402-063	1		Bearing
8	3423-104	1		Washer
9	3423-102	6	S	Screw, Cap
10	3423-352	1		Spacer (500)
11	3423-331	1		Pin (400)



2002 ATV 400 4X4/500 MANUAL TRANSMISSION (500 GREEN) (A2002ATM4R16G7) Page 78 of 94
STARTER MOTOR ASSEMBLY

Ref #	Part Number	Qty	S/P/F	Description
1	3545-012	1	S	Motor, Starter Assembly (inc. 2-9)
1	3545-014	1	/P	Motor, Starter Assembly (inc. 2-9) (500)
2	3008-094	1	/P	Terminal Set, Brush
3	3008-095	1	/P	Holder Set, Brush
4	3008-096	4		Spring, Brush
5	3008-164	1		O-Ring
6	3423-084	1		O-Ring
7	3436-001	1		Washer Set
8	3008-553	2	/P	O-Ring
9	3423-085	2		Screw, Cap
10	3423-162	2	S	Screw, Cap
11	3423-195	1	/P	Nut
12	3423-201	1	/P	Circlip
13	3402-043	1	/P	Bearing, Pinion Shaft

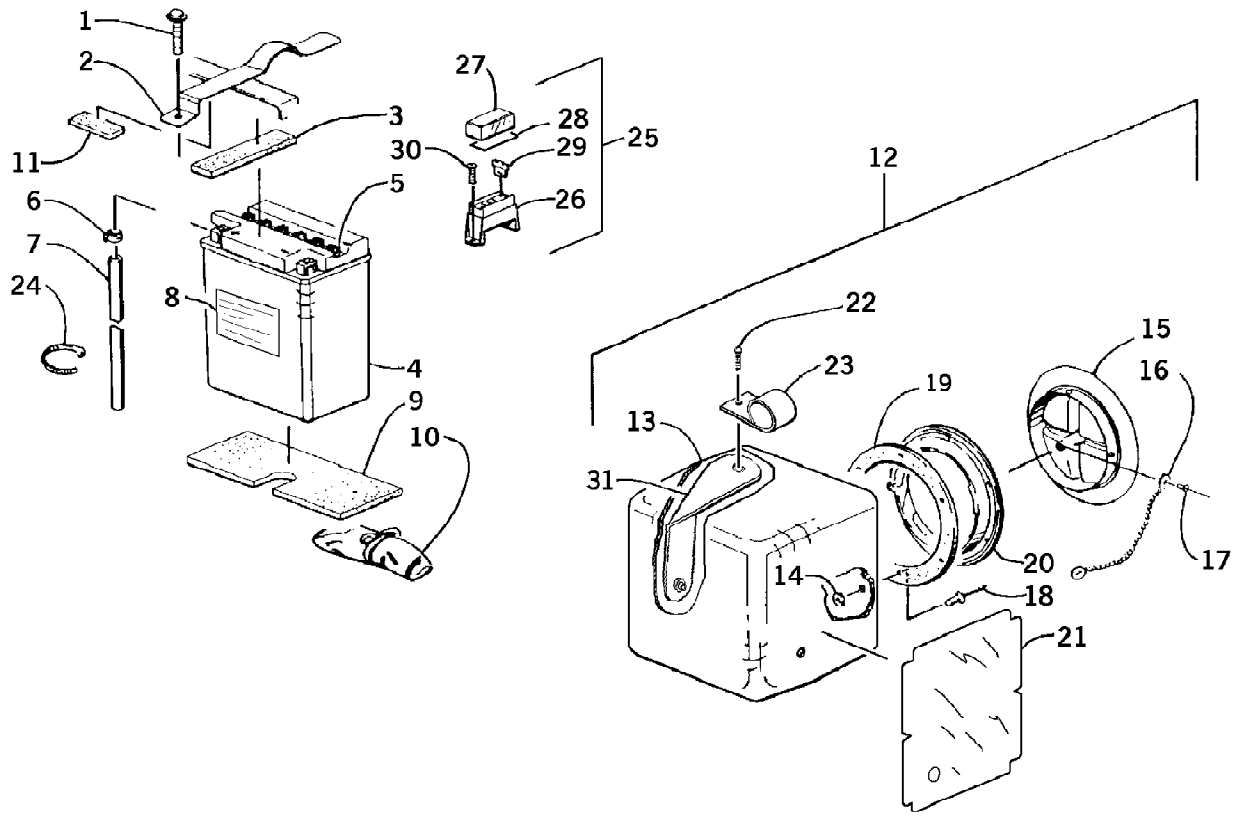
2002 ATV 400 4X4/500 MANUAL TRANSMISSION (500 GREEN) (A2002ATM4R1667) of 94
STEERING ASSEMBLY



2002 ATV 400 4X4/500 MANUAL TRANSMISSION (500 GREEN) (A2002ATM4R) Page 30 of 94
STEERING ASSEMBLY

Ref #	Part Number	Qty	S/P/F	Description
1	0420-031	1	/P	Speedometer (inc. 2-8)
2	3420-027	1		Knob, Speedometer Trip
3	0420-016	2		Mount, Rubber
4	0420-017	2		Washer
5	0420-015	2		Pin, Retainer
6	0420-018	1		Bracket, Speedometer
7	0620-149	1	/P	Bulb, Speedometer
8	0420-014	1		Harness, Speedometer
9	8477-616	3		Screw, Machine
10	0409-013	1		Cover, Key
11	3430-040	1		Switch, Ignition - Assembly (inc. 12)
12	3409-007	1	/P	Key, Ignition - Blank (C Series)
12	3409-011	1		Key, Ignition - Blank (D Series)
12	3409-012	1		Key, Ignition - Blank (E Series)
12	3409-013	1		Key, Ignition - Blank (F Series)
13	0423-052	1		Collar, Body
14	0405-063	1		Instrument Pod
15	0420-022	1	S	Panel, LED
16	0487-026	1		Cable, Speedometer
17	0505-406	1	S/P	Tube, Handlebar
18	0405-039	2	/P	Grip, Handlebar
19	8060-428	2		Rivet
20	8408-860	6		Screw, Cap
21	0506-348	1	/P	Bracket, Key Switch
22	0405-035	4		Cap, Steering Adjuster
23	0605-171	1		Housing, Bearing - Lower
24	0405-020	2		Bearing, Steering Post
25	0605-147	1	S	Housing, Bearing - Upper
26	0505-073	1	S	Post, Steering
27	8408-816	2		Screw, Cap
28	0623-175	4		Pin, Cotter
29	0423-157	4		Nut, Top Lock
30	0505-072	2	/P	Tie Rod, Assembly (inc. 31-35)
31	8420-002	2	/P	Nut -Right
32	0405-082	2	S	Ball Joint, Tie Rod - Right
33	0405-083	2	S	Ball Joint, Tie Rod - Left
34	0423-013	2		Nut - Left
35	0405-032	2		Tie Rod
36	0602-233	1		Flange, Bearing
37	0405-052	1		Bearing w/Inverted Oil Seal
38	0423-073	1		Washer
39	8409-020	1	/P	Screw, Cap

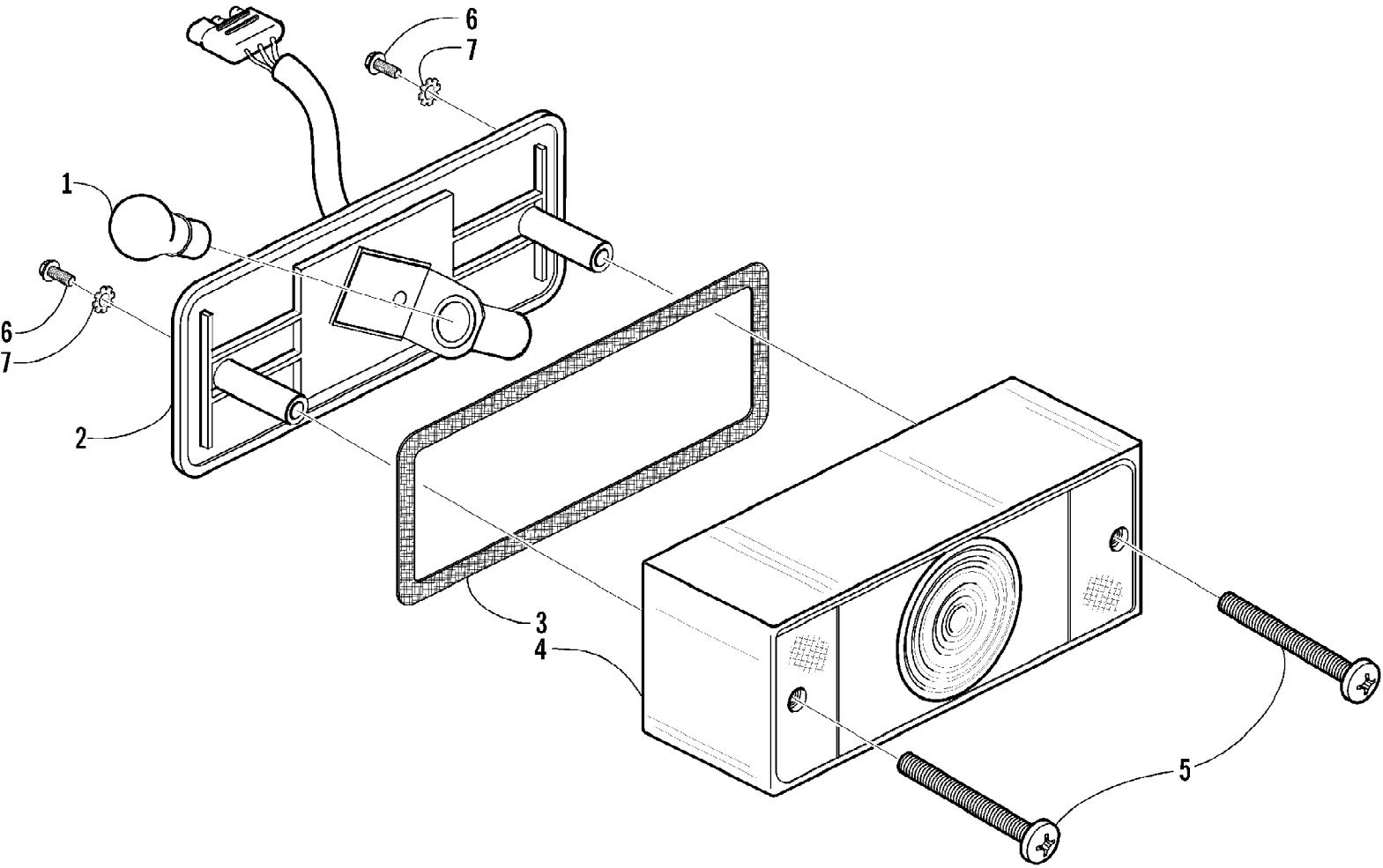
2002 ATV 400 4X4/500 MANUAL TRANSMISSION (500 GREEN) (A2002ATM4R) Page 31 of 94
STORAGE BOX AND BATTERY ASSEMBLY



2002 ATV 400 4X4/500 MANUAL TRANSMISSION (500 GREEN) (A2002ATM4) Page 32 of 94
STORAGE BOX AND BATTERY ASSEMBLY

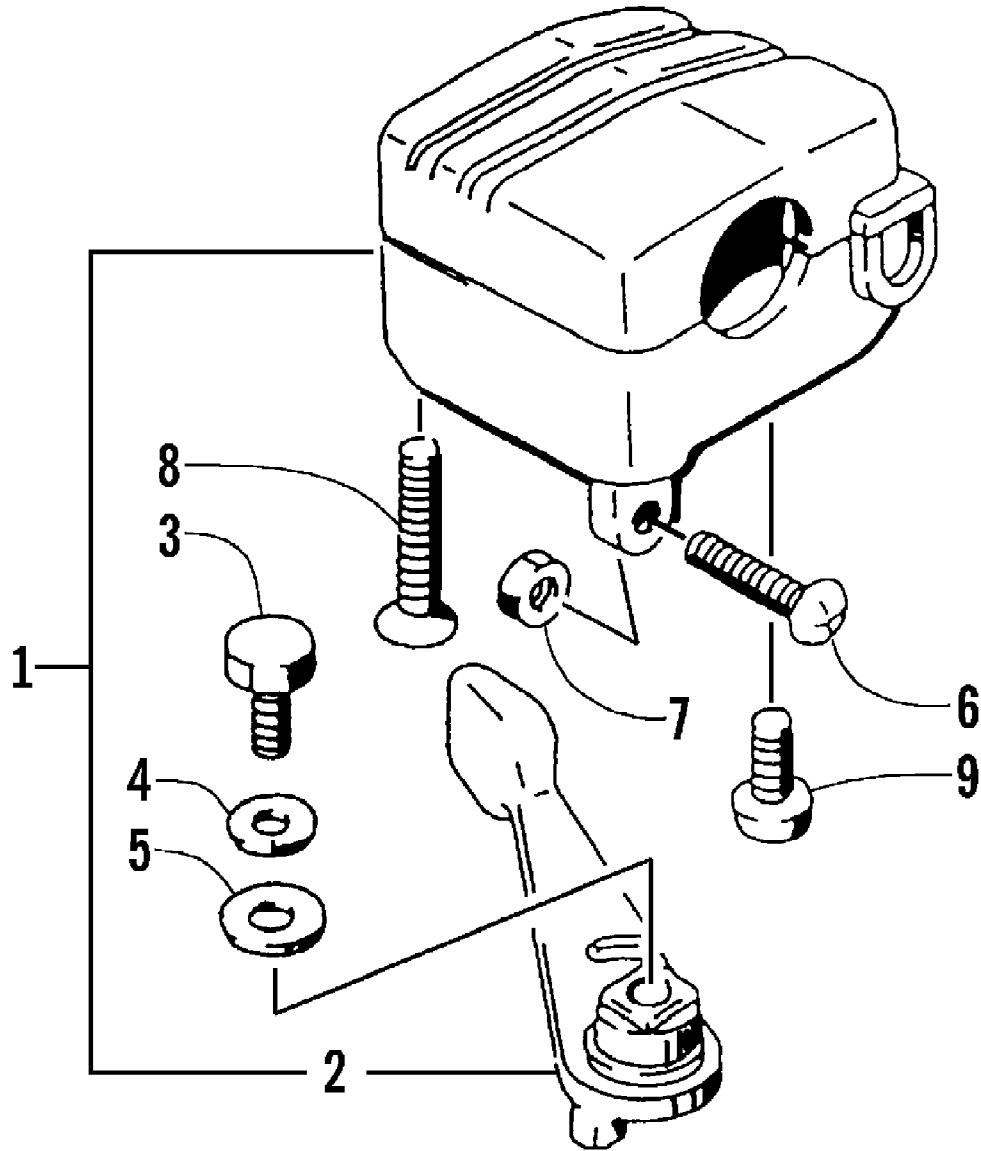
Ref #	Part Number	Qty	S/P/F	Description
1	8477-616	1		Screw, Machine
2	0506-178	1		Strap, Battery w/Pads (inc. 3 and 11)
3	0406-289	1		Pad, Battery - Upper Rear
4	0445-005	1	S	Battery Assembly (inc. 5-8)
5	0645-045	6		Cap, Battery
6	0645-152	1		Clamp, Hose
7	0645-263	1	/P	Hose, Battery Vent
8	0645-151	1		Label, Warning - Battery
9	0406-227	1		Pad, Battery - Lower
10	0444-122	1	S/P	Kit, Tool
11	0406-288	1		Pad, Battery - Upper Front
12	0506-663	1		Storage Box - Assembly (inc. 13-21)
13	0406-970	1		Box, Storage
14	0123-802	6		Washer
15	0406-208	1		Cover, Storage Box
16	0773-401	1		Chain, Cover
17	8061-223	2	/P	Rivet
18	8060-630	6		Rivet
19	0673-973	1		Seal, Cover
20	0406-205	1	/P	Ring, Mounting -Cover
21	0412-125	1		Shield, Heat
22	0623-121	4		Screw, Machine
23	0423-044	4		Clamp, Tube
24	0123-903	2		Cable Tie - 11.5 in.
25	0530-001	1		Box, Fuse - Assembly (inc. 26-27)
26	0	1	F	Block, Fuse
27	0	1	F	Cover, Fuse Box
28	0411-271	1		Decal, Fuse Block
29	0630-057	4		Fuse - 10 Amp
29	0630-058	2		Fuse - 15 Amp
30	0623-361	2		Screw, Self-Tapping
31	0506-730	1		Bracket, Storage Box - Right
31	0506-731	1		Bracket, Storage Box - Left

2002 ATV 400 4X4/500 MANUAL TRANSMISSION (500 GREEN) (A2002ATM4) Page 33 of 94
TAILLIGHT ASSEMBLY



2002 ATV 400 4X4/500 MANUAL TRANSMISSION (500 GREEN) (A2002ATM4R1003) Page 34 of 94
TAILLIGHT ASSEMBLY

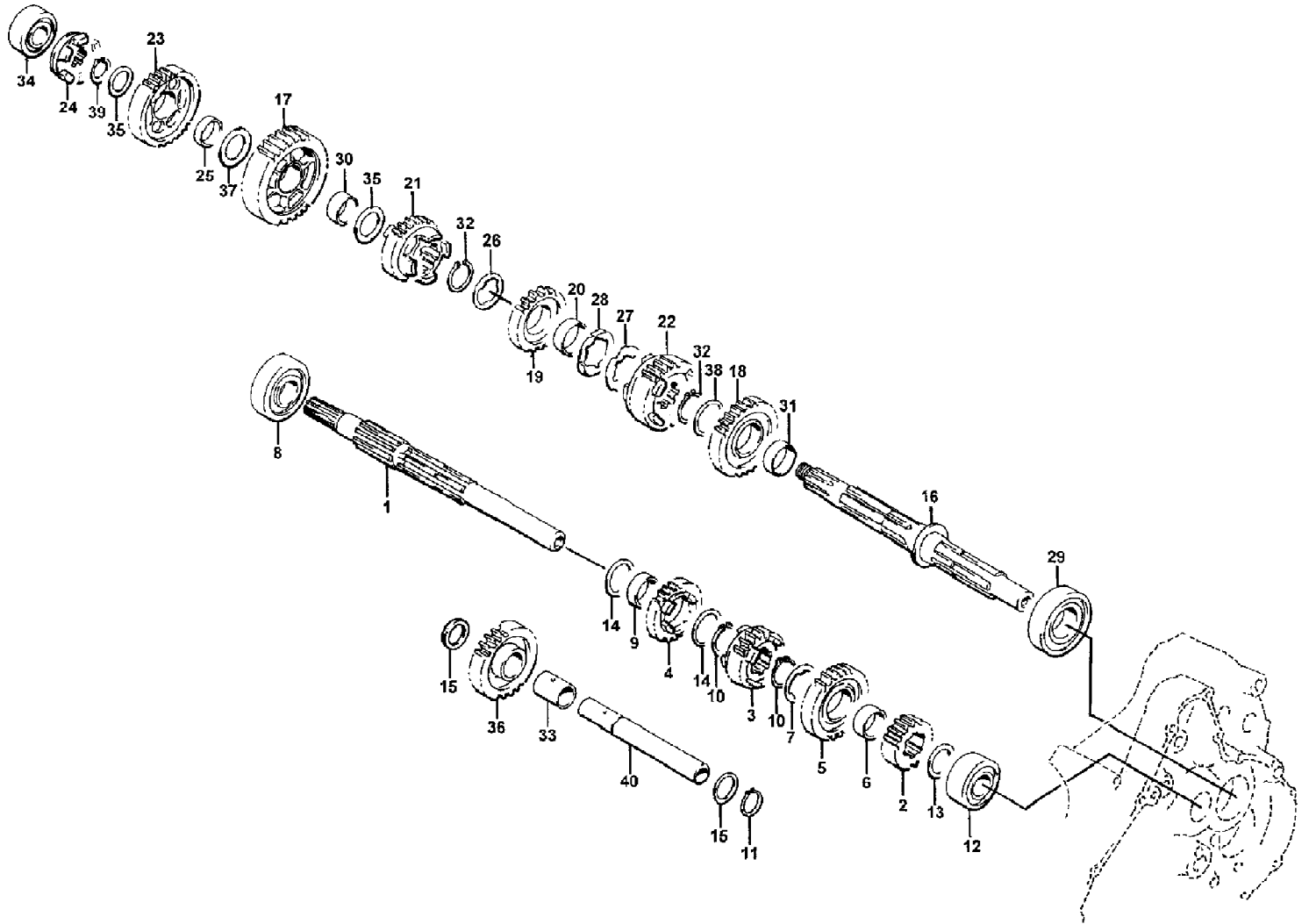
Ref #	Part Number	Qty	S/P/F	Description
	0409-002	1		Complete Taillight Assembly
1	0109-460	1	/P	Bulb, Stop/Taillight
2	0409-011	1		Taillight w/Socket Assembly
3	0409-012	1		Gasket, Taillight Lens
4	0409-007	1		Lens, Taillight
5	0409-010	2		Screw, Machine
6	0623-301	2	/P	Screw, Self-Tapping
7	8053-212	2	/P	Washer, Lock - External Tooth



2002 ATV 400 4X4/500 MANUAL TRANSMISSION (500 GREEN) (A2002ATM4R16G3) Page 36 of 94
THROTTLE CASE ASSEMBLY

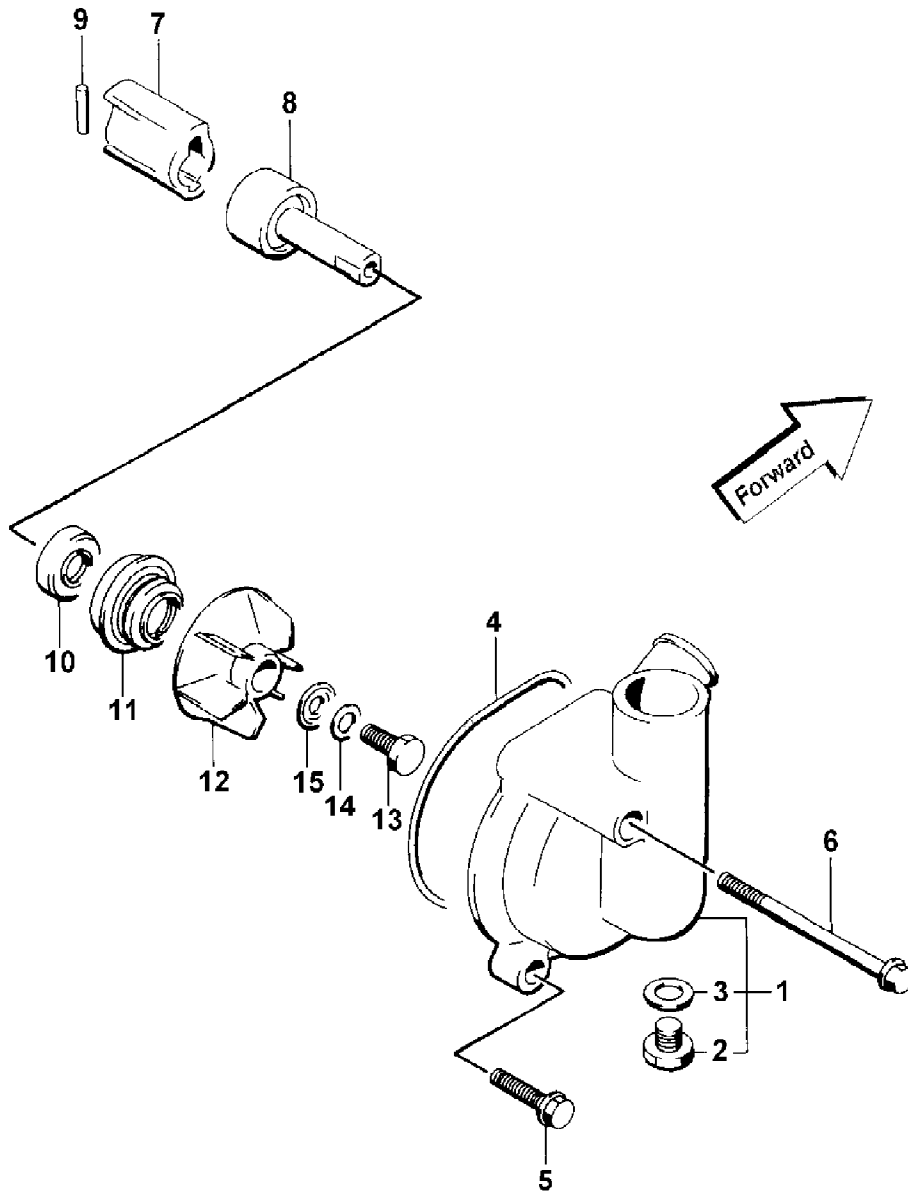
Ref #	Part Number	Qty	S/P/F	Description
1	3509-003	1	/P	Case, Throttle - Assembly (inc. 2-9)
2	3409-001	1		Lever
3	3004-533	1	S/P	Screw, Cap
4	3004-447	1	/P	Washer, Lock
5	3003-030	1	/P	Washer
6	3423-014	1		Screw
7	3423-327	1		Nut
8	3423-199	2		Screw
9	3004-638	1	/P	Screw

2002 ATV 400 4X4/500 MANUAL TRANSMISSION (500 GREEN) (A2002ATM4) **Page 37** of 94
TRANSMISSION ASSEMBLY



2002 ATV 400 4X4/500 MANUAL TRANSMISSION (500 GREEN) (A2002ATM4R) Page 38 of 94
TRANSMISSION ASSEMBLY

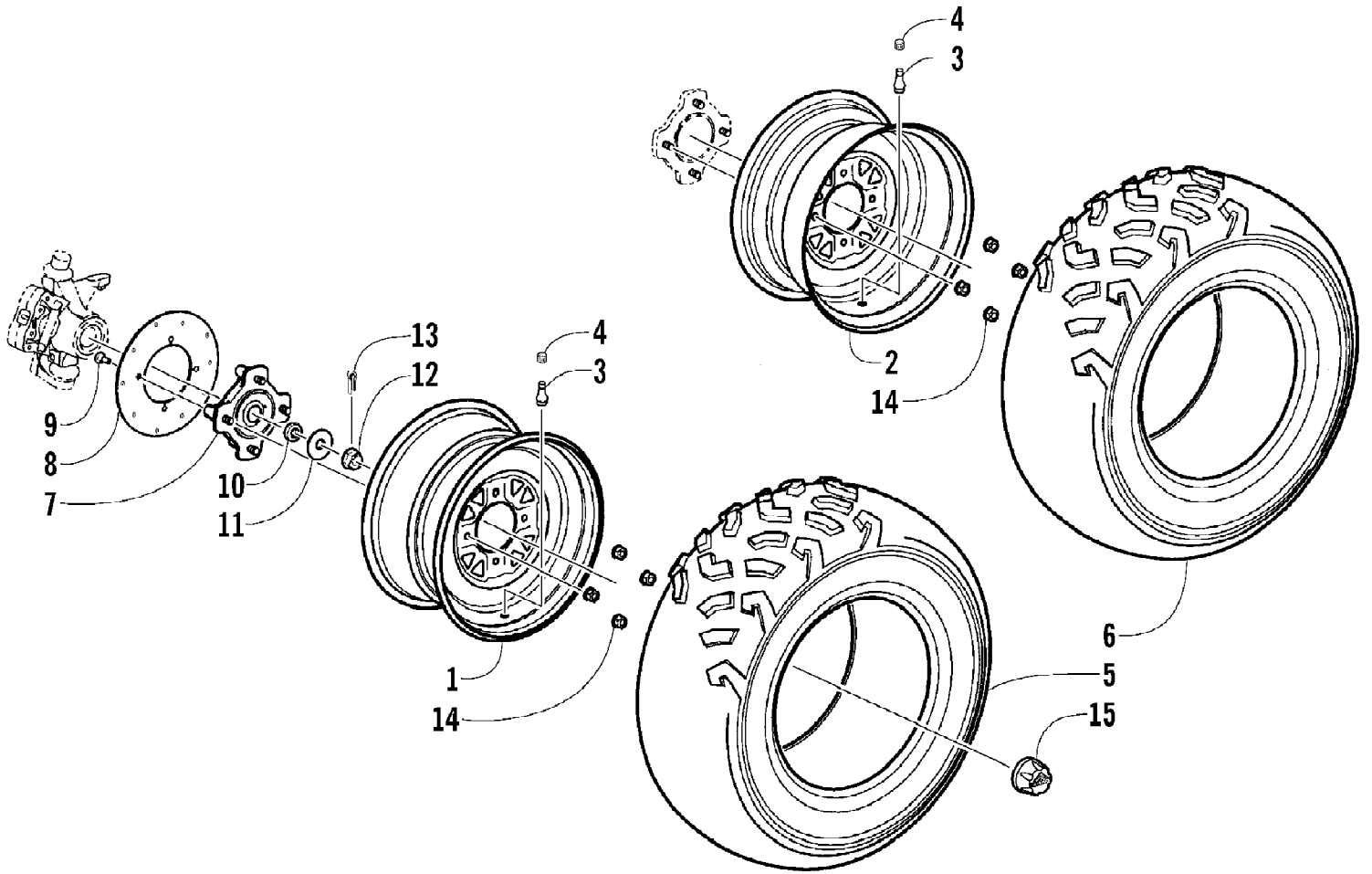
Ref #	Part Number	Qty	S/P/F	Description
1	3446-014	1		Countershaft
2	3446-016	1		Gear, 2nd Drive
3	3446-215	1		Gear, 3rd Drive
4	3446-018	1		Gear, 4th Drive
5	3446-216	1		Gear, 5th Drive
6	3446-020	1		Bushing, 5th Drive Gear
7	3423-037	1		Washer, 5th Drive Gear
8	3402-050	1		Bearing, Countershaft - Right
9	3402-081	1		Bushing, 4th Drive Gear
10	3423-066	2	/P	Circlip, 4th Drive Gear
11	3423-190	1	S	Circlip, Reverse Idle
12	3402-179	1		Bearing, Countershaft
13	3402-195	1		Shim
14	3423-187	2	/P	Washer, 4th Drive
15	3423-126	2	/P	Washer, Reverse Idle
16	3446-015	1		Driveshaft
16	3446-234	1		Driveshaft (500)
17	3446-217	1	S	Gear, 1st Driven
17	3446-235	1	/P	Gear, 1st Driven (500)
18	3446-022	1		Gear, 2nd Driven
19	3446-218	1		Gear, 3rd Driven
20	3446-024	1		Bushing, 3rd Driven
21	3446-219	1	/P	Gear, 4th Driven
22	3446-220	1		Gear, 5th Driven
23	3446-029	1		Gear, Reverse Driven
24	3446-030	1		Dog, Reverse
25	3446-032	1		Bushing, Reverse Driven
26	3423-038	1		Washer, 3rd Driven - Right
27	3423-039	1		Washer, 3rd Driven - Left
28	3423-040	1		Washer, 3rd Driven - Left
29	3402-336	1		Bearing, Driveshaft
30	3402-080	1	S	Bushing, 1st Driven
31	3402-082	1		Bushing, 2nd Driven
32	3423-188	2	S	Circlip, 2nd Driven
33	3446-238	1		Bushing, Reverse Idle
34	3003-320	1	/P	Bearing, Driveshaft - Right
35	3402-335	2		Washer, Reverse Driven
36	3446-237	1		Gear, Reverse Idle
37	3423-131	1		Washer, 1st Driven - Right
38	3003-605	1	/P	Washer, 2nd Driven
38	3402-383	1		Washer, 2nd Driven (500)
39	3423-189	1	S	Circlip, Reverse Driven
40	3446-236	1		Shaft, Reverse Idle



2002 ATV 400 4X4/500 MANUAL TRANSMISSION (500 GREEN) (A2002ATM4R1609) of 94
 WATER PUMP ASSEMBLY

Ref #	Part Number	Qty	S/P/F	Description
1	3402-159	1	S	Case, Water Pump (inc. 2-3)
1	3402-354	1	/P	Case, Water Pump (inc. 2-3) (500)
2	3423-185	1		Screw, Cap
2	3423-343	1		Screw, Cap (500)
3	3003-188	1	S/P	Gasket
4	3423-078	1		O-Ring
5	3004-507	2	S	Screw, Cap
6	3423-119	1	S	Screw, Cap
7	3413-010	1	S/P	Joint, Pump Drive
7	3413-011	1	/P	Joint, Pump Drive (500)
8	3413-002	1		Shaft, Pump w/Bearing
9	3423-046	1		Pin
10	3003-356	1		Seal, Pump Drive
11	3402-360	1	S	Seal, Mechanical
12	3413-001	1		Impeller
13	3003-426	1		Screw, Cap
14	3003-431	1	/P	Washer
15	3003-432	1		Gasket

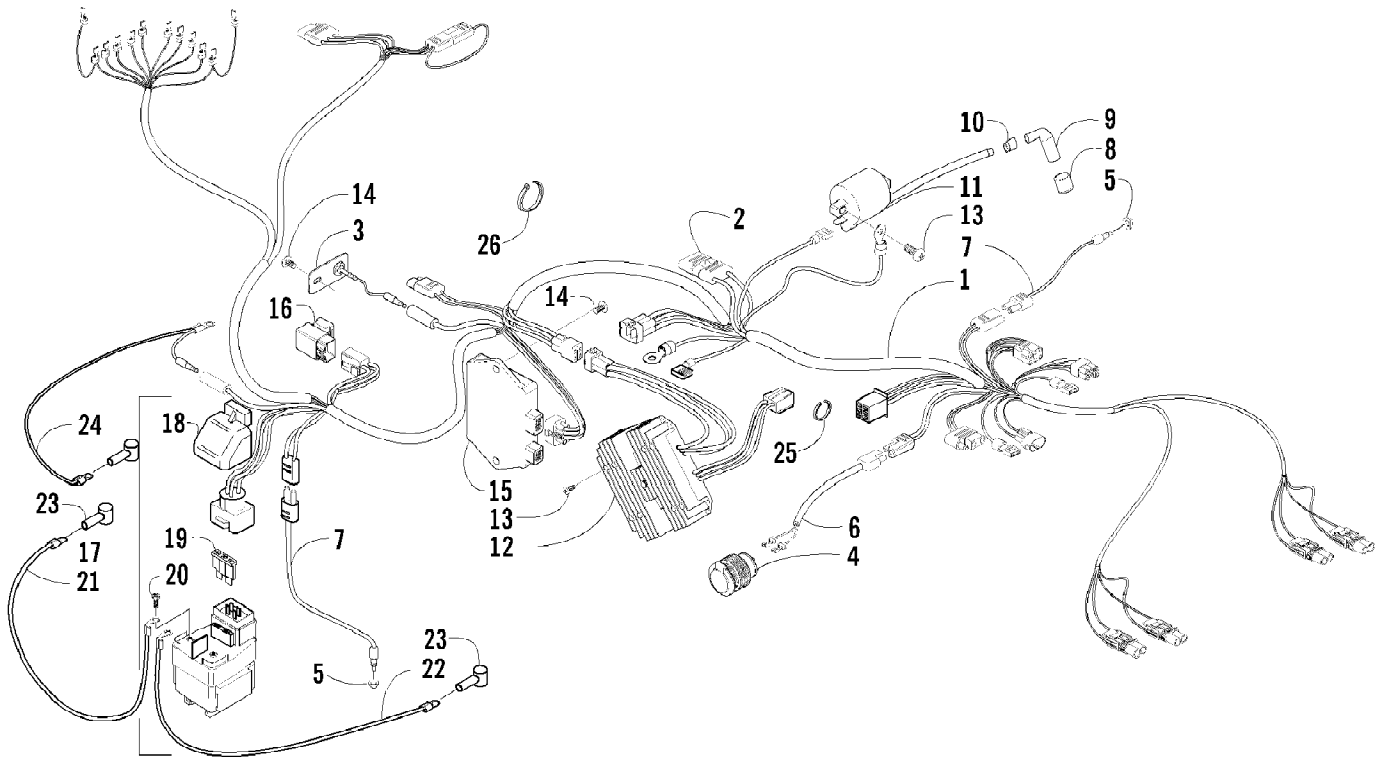
2002 ATV 400 4X4/500 MANUAL TRANSMISSION (500 GREEN) (A2002ATM4R1509) Page 1 of 94
WHEEL AND TIRE ASSEMBLY



2002 ATV 400 4X4/500 MANUAL TRANSMISSION (500 GREEN) (A2002ATM4R1609) Page 2 of 94
 WHEEL AND TIRE ASSEMBLY

Ref #	Part Number	Qty	S/P/F	Description
1	0402-888	2		Wheel - Front
2	0402-885	2		Wheel - Rear
3	0402-064	4		Stem, Valve (inc. 4)
4	0402-140	4		Cap, Valve Stem
5	0402-890	2		Tire - Front
6	0402-887	2		Tire - Rear
7	0502-258	2	/P	Hub, Wheel - Front
8	0402-874	2	S	Disc, Brake
9	0423-029	8		Screw, Machine
10	0402-181	2		Seal, Hub
11	0423-080	2		Washer
12	0423-346	2		Nut, Hex
13	0123-458	2	/P	Pin, Cotter
14	0423-322	16		Nut, Mounting - Wheel
15	0403-035	2	/P	Cap, Wheel - Center

2002 ATV 400 4X4/500 MANUAL TRANSMISSION (500 GREEN) (A2002ATM4R160) Page 3 of 94
WIRING HARNESS ASSEMBLY



2002 ATV 400 4X4/500 MANUAL TRANSMISSION (500 GREEN) (A2002ATM4R1609) Page 94 of 94
WIRING HARNESS ASSEMBLY

Ref #	Part Number	Qty	S/P/F	Description
1	0486-084	1		Harness, Main (inc. 2)
2	0486-029	1		Diode (Start In Gear)
3	0586-003	1		Diode Assembly
4	0445-022	1	S	Receptacle, 12V
5	0402-168	1	/P	Retainer, Switch
6	0486-004	1		Harness, 12V Receptacle
7	0409-009	2		Switch, Brake - Assembly
8	3430-008	1	/P	Seal, Spark Plug Cap
9	3430-007	1	/P	Cap, Spark Plug
10	3430-009	1	/P	Seal, High Tension Wire
11	3530-004	1	/P	Coil, Ignition - Assembly
12	3530-028	1	S	Regulator, Voltage
13	8476-620	4		Screw, Machine
14	8476-616	3		Screw, Machine
15	3530-003	1		CDI Unit
16	3530-008	1	S	Relay, Neutral Start - Assembly
17	3530-001	1	/P	Relay, Starter Motor - Assembly (inc. 18-19)
18	3530-010	1		Cover, Starter Motor Relay
19	0630-098	1		Fuse, 30 Amp
20	3423-020	2	/P	Screw, Cap
21	0445-003	1	/P	Cable, Battery/Electric Start Relay
22	0445-032	1		Cable, Battery/Electric Start
23	0645-019	3		Boot, Terminal
24	0445-002	1		Cable, Battery/Ground
25	0123-903	A		Cable Tie - 11.5 in.
26	0123-788	A	/P	Cable Tie - 7 in.