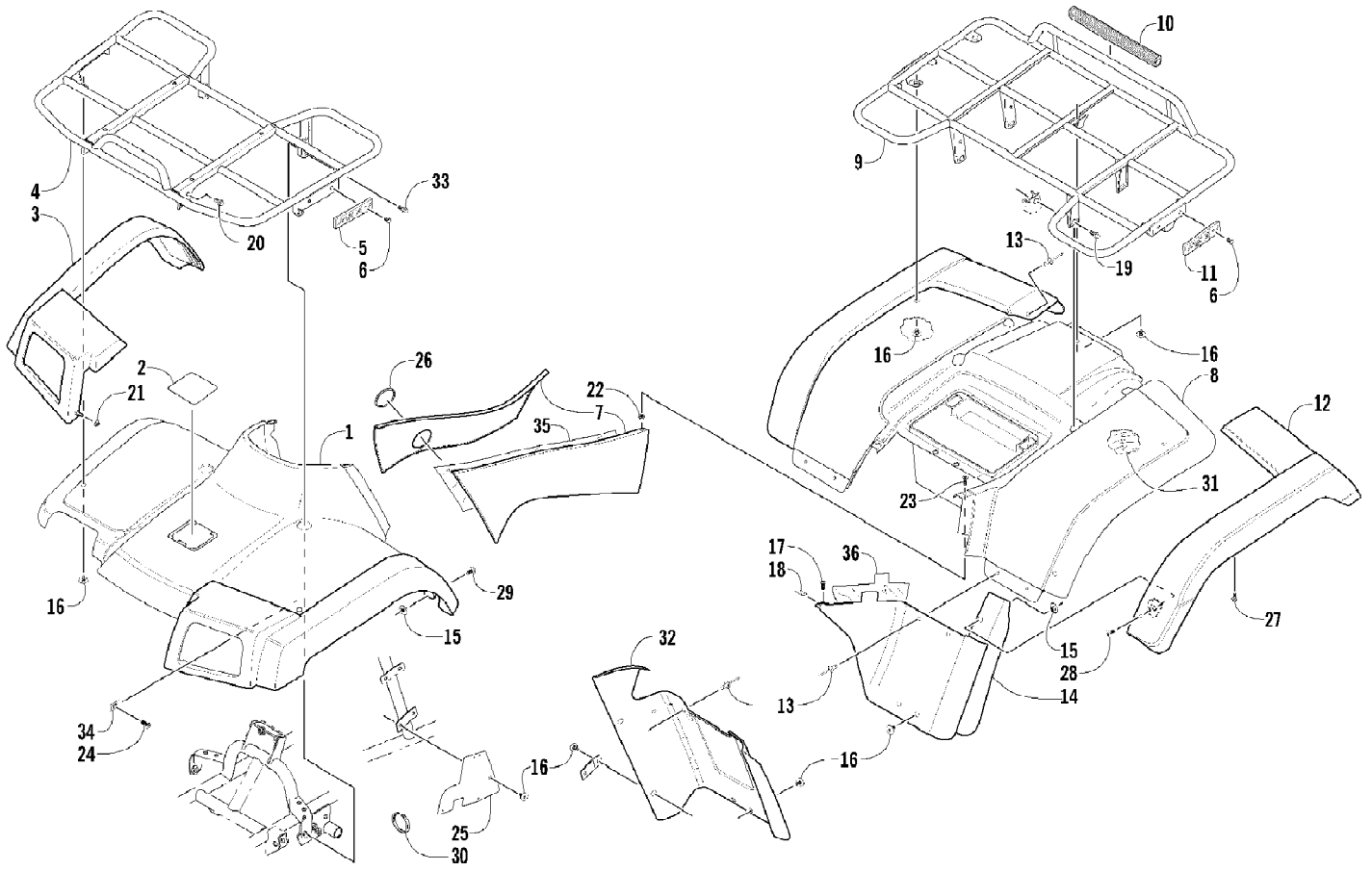


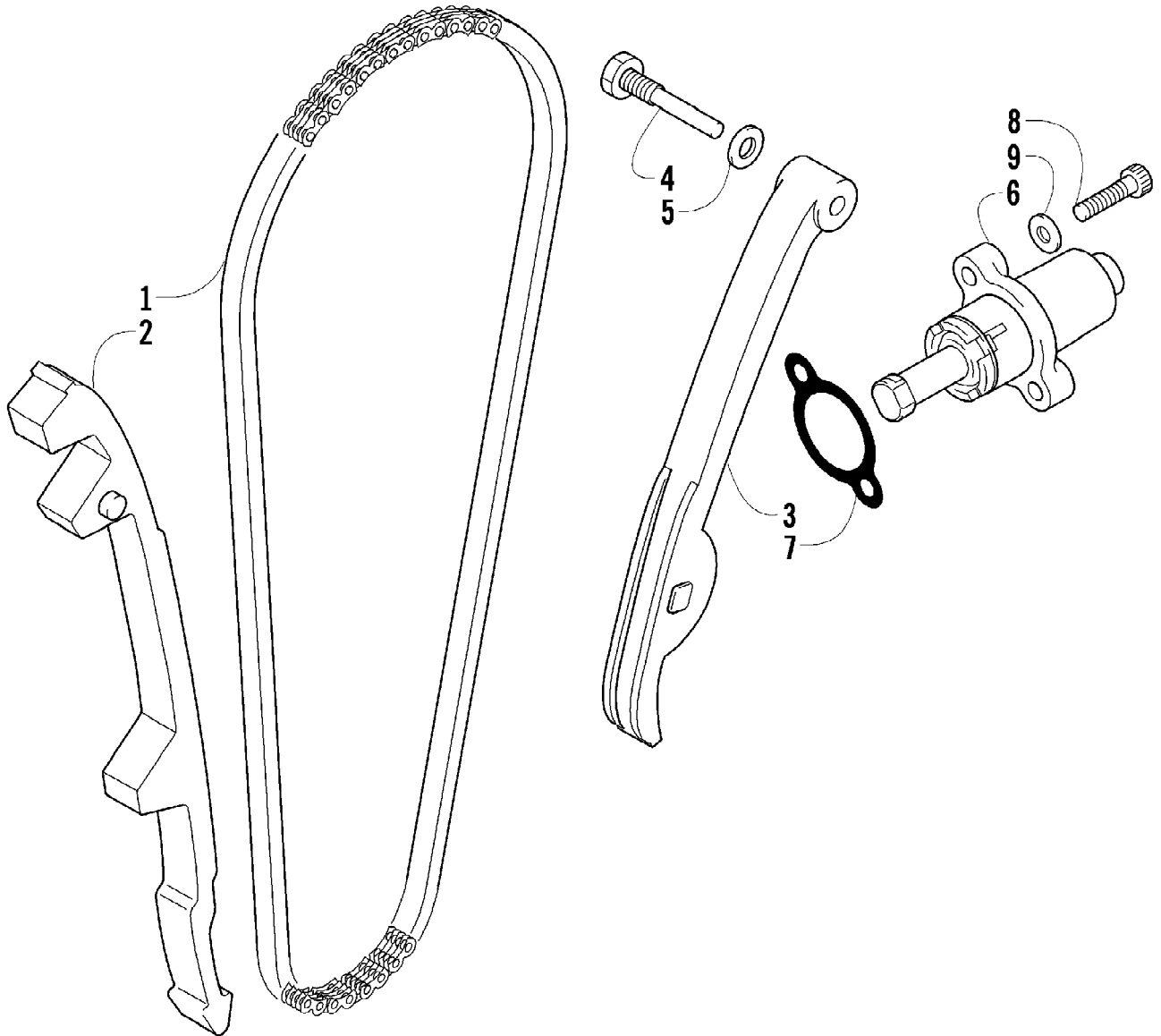
2002 ATV 400 4X4/500 MANUAL TRANSMISSION (400 RED) (A2002ATI4AUSR)
 AIR INTAKE ASSEMBLY Page 2 of 94

| Ref # | Part Number | Qty | S/P/F | Description |
|-------|-------------|-----|-------|----------------------------|
| 1 | 0423-019 | 1 | | Clamp |
| 2 | 0470-432 | 1 | | Boot, Air Intake |
| 3 | 0423-018 | 2 | | Clamp |
| 4 | 0470-446 | 1 | /P | Housing, Air Intake |
| 5 | 0623-101 | 1 | | Clip, Retaining |
| 6 | 0470-343 | 1 | | Gasket |
| 7 | 0470-383 | 1 | /P | Snorkel |
| 8 | 0470-307 | 4 | | Clamp |
| 9 | 0423-037 | 4 | | Spring |
| 10 | 0623-121 | 4 | | Screw, Machine |
| 11 | 0123-010 | 4 | /P | Nut, Expansion |
| 12 | 0410-004 | 1 | | Hose, Crankcase Vent |
| 13 | 0470-391 | 1 | /P | Filter, Air |
| 14 | 0412-141 | 1 | | Shield, Heat |
| 15 | 0470-442 | 1 | /P | Valve, Drain |
| 16 | 1673-272 | 1 | /P | Cap, Drain Tube |
| 17 | 0423-047 | 1 | | Clamp, Hose |
| 18 | 0423-045 | 2 | | Clamp, Hose |
| 19 | 0470-351 | 2 | | Support, Air Intake Flange |



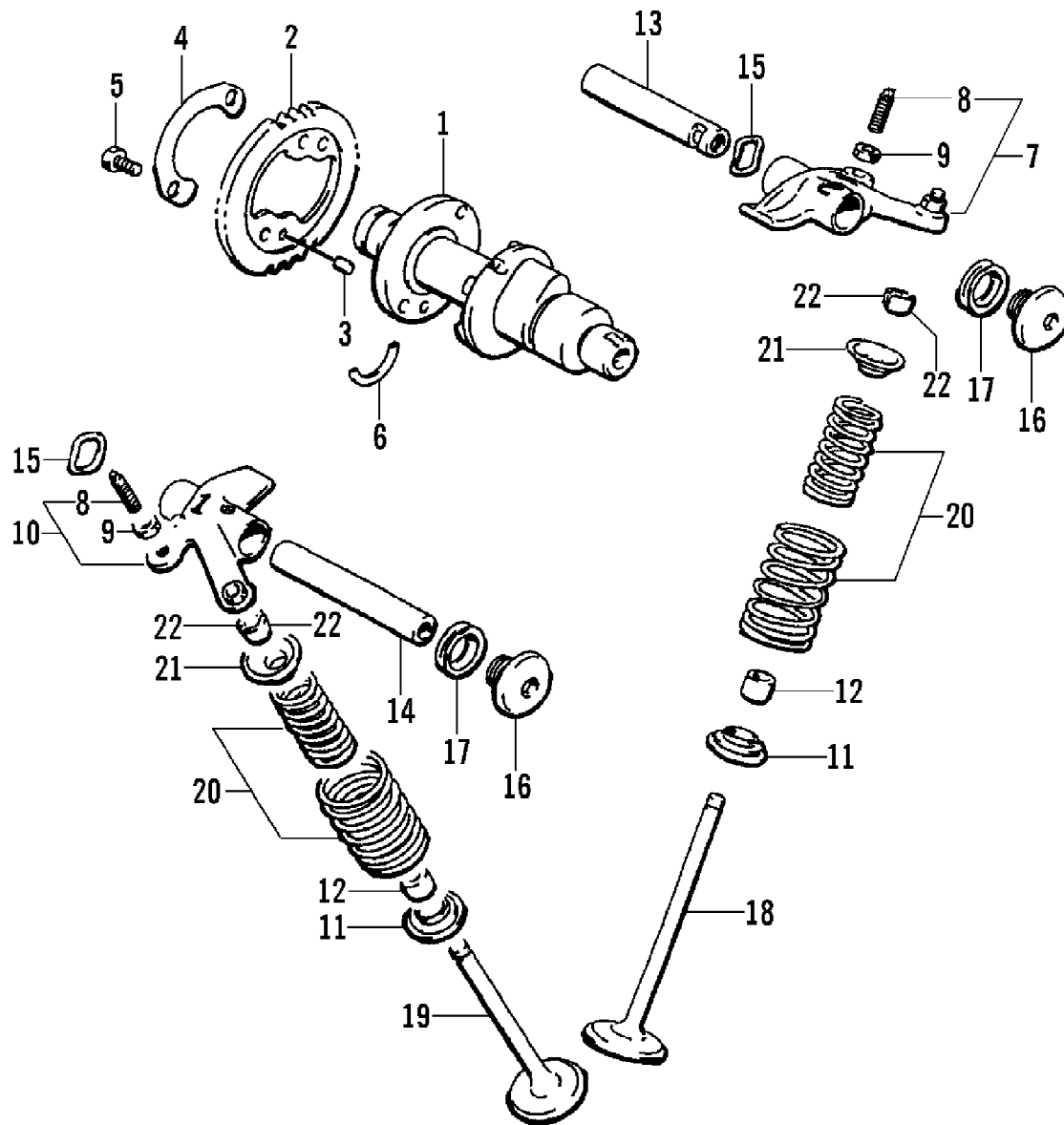
2002 ATV 400 4X4/500 MANUAL TRANSMISSION (400 RED) (A2002ATI4AUSR)
BODY PANEL ASSEMBLY

| Ref # | Part Number | Qty | S/P/F | Description |
|-------|-------------|-----|-------|--|
| 1 | 0506-616 | 1 | | Panel, Fender - Front (inc. 2) (Red) |
| 1 | 0506-584 | 1 | | Panel, Fender - Front (inc. 2) (Green) |
| 2 | 0406-244 | 1 | S/P | Cover, Access (Red) |
| 2 | 0406-975 | 1 | S | Cover, Access (Green) |
| 3 | 0506-550 | 1 | | Flare - Front Right |
| 3 | 0506-551 | 1 | | Flare - Front Left |
| 4 | 0506-547 | 1 | | Rack - Front |
| 5 | 0606-526 | 2 | | Reflector, Front - Amber |
| 6 | 0623-269 | 8 | | Clip, Retaining |
| 7 | 0506-548 | 1 | | Panel, Side - Right (Red) |
| 7 | 0506-243 | 1 | | Panel, Side - Left (Red) |
| 7 | 0506-549 | 1 | | Panel, Side - Right (Green) |
| 7 | 0506-673 | 1 | | Panel, Side - Left (Green) |
| 8 | 0506-620 | 1 | S | Panel, Fender - Rear (Red) |
| 8 | 0506-621 | 1 | | Panel, Fender - Rear (Green) |
| 9 | 0506-608 | 1 | S | Rack- Rear |
| 10 | 0406-293 | 1 | | Wrap, Tube - Rear Rack |
| 11 | 0606-029 | 2 | | Reflector, Rear - Red |
| 12 | 0506-552 | 1 | | Flare, Rear Right |
| 12 | 0506-553 | 1 | | Flare, Rear Left |
| 13 | 0423-046 | AR | | Rivet, Plastic |
| 14 | 0406-084 | 1 | | Fender Extension - Rear - Right |
| 14 | 0406-085 | 1 | | Fender Extension - Rear - Left |
| 15 | 0423-077 | 4 | /P | T -Nut w/Teeth |
| 16 | 0423-101 | A | | Screw, Body |
| 17 | 0623-309 | 2 | | Screw, Self-Tapping |
| 18 | 0423-060 | 2 | | Clip, Tinerman |
| 19 | 8409-020 | 6 | /P | Screw, Cap |
| 20 | 0423-360 | 2 | | Screw, Cap |
| 21 | 0423-357 | 2 | | Nut, Stamped |
| 22 | 0123-010 | 2 | /P | Nut, Expansion |
| 23 | 0423-068 | 2 | | Screw, Machine |
| 24 | 8477-616 | 2 | | Screw, Machine |
| 25 | 1406-006 | 1 | | Panel, Fender - Inner |
| 26 | 0470-404 | 1 | | Grommet, Fuel Shut-Off Valve |
| 27 | 0423-342 | 16 | /P | Screw, Self-Tapping |
| 28 | 0423-355 | 2 | | Screw, Shoulder |
| 29 | 0423-356 | 2 | | Screw, Shoulder |
| 30 | 0123-788 | A | /P | Cable Tie - 7.5 in. |
| 31 | 0412-124 | 1 | | Shield, Heat |
| 32 | 0406-941 | 1 | /P | Panel, Kick - Right |
| 32 | 0506-626 | 1 | | Panel, Kick - Left |
| 33 | 8408-816 | 2 | | Screw, Cap |
| 34 | 0423-031 | 2 | | Nut, Speed |
| 35 | 0412-142 | 1 | | Shield, Heat |
| 36 | 0412-140 | 1 | | Shield, Heat |

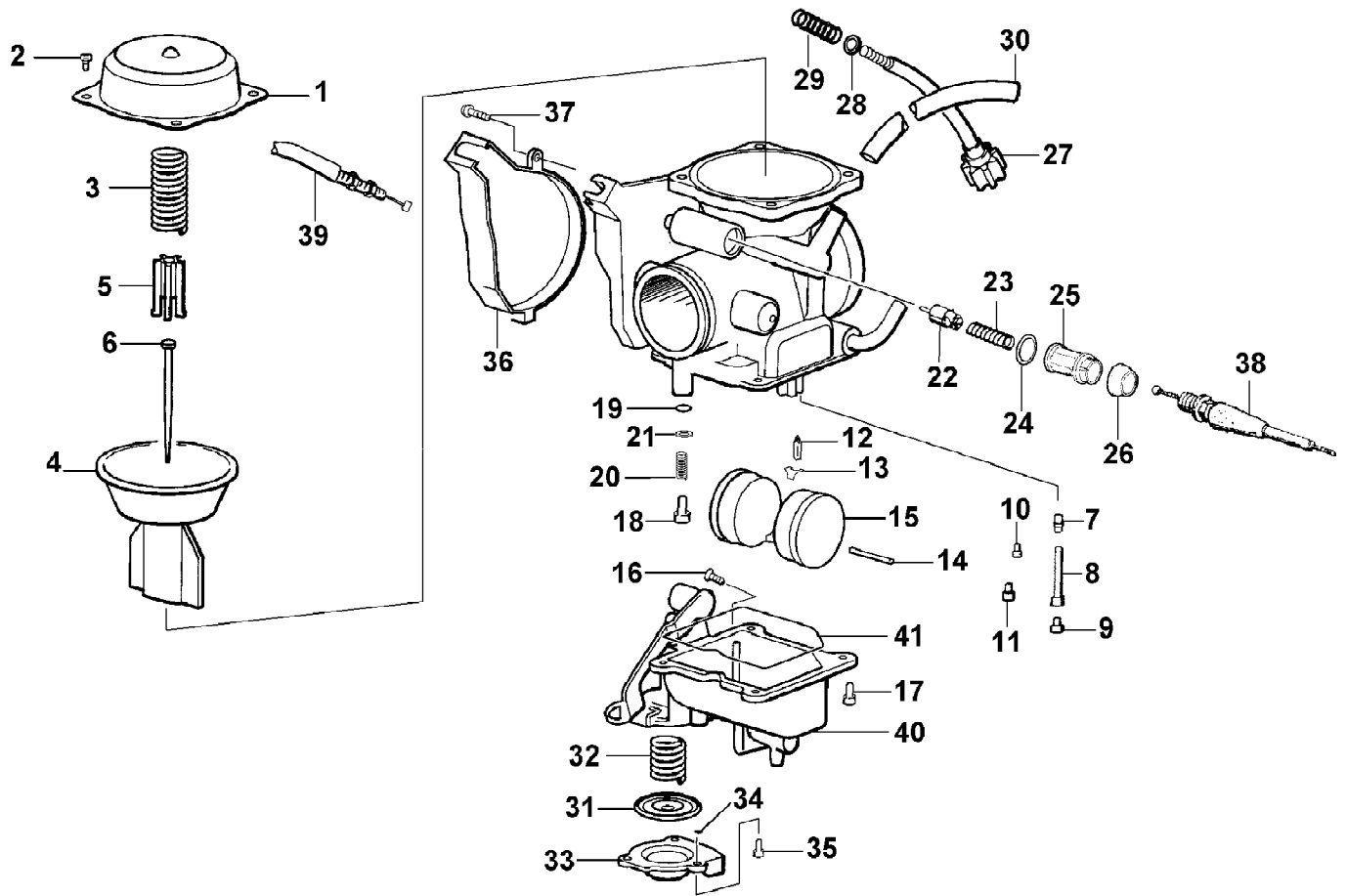


2002 ATV 400 4X4/500 MANUAL TRANSMISSION (400 RED) (A2002ATI4AUSR)
CAM CHAIN ASSEMBLY

| Ref # | Part Number | Qty | S/P/F | Description |
|-------|-------------|-----|-------|--------------------------------|
| 1 | 3402-133 | 1 | | Chain, Cam |
| 1 | 3402-353 | 1 | | Chain, Cam (500) |
| 2 | 3402-134 | 1 | | Guide, Chain |
| 2 | 3402-355 | 1 | | Guide, Chain (500) |
| 3 | 3402-135 | 1 | | Tensioner, Chain |
| 3 | 3402-356 | 1 | | Tensioner, Chain (500) |
| 4 | 3423-074 | 1 | | Bolt |
| 5 | 3003-188 | 1 | S/P | Washer |
| 6 | 3402-136 | 1 | | Adjuster, Tensioner - Assembly |
| 7 | 3402-137 | 1 | | Gasket |
| 8 | 3004-475 | 2 | S | Screw, Cap |
| 9 | 3003-290 | 2 | /P | Gasket |

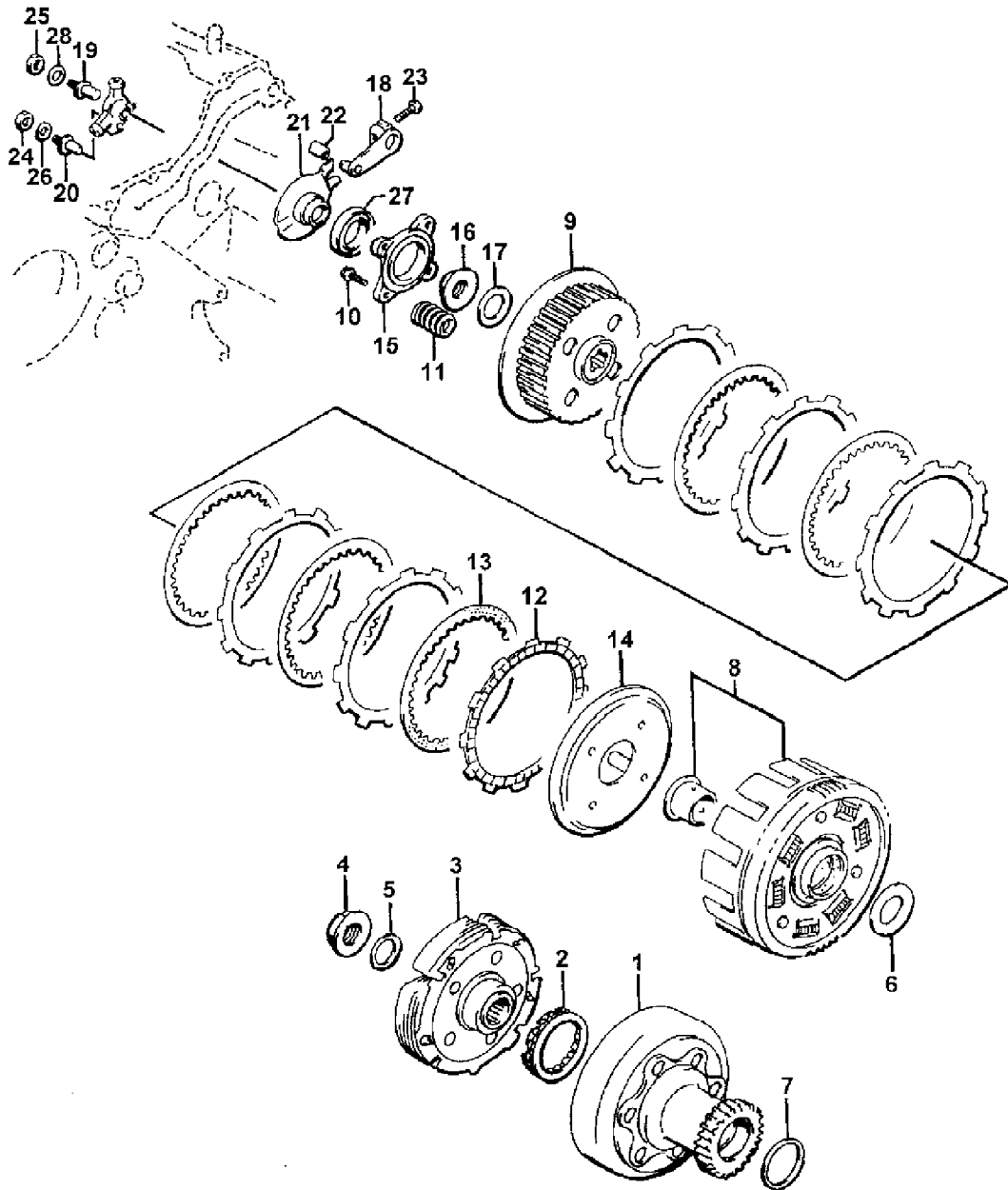


| Ref # | Part Number | Qty | S/P/F | Description |
|-------|-------------|-----|-------|--|
| 1 | 3402-027 | 1 | S | Camshaft |
| 2 | 3402-131 | 1 | | Sprocket |
| 2 | 3402-352 | 1 | | Sprocket (500) |
| 3 | 3402-047 | 1 | S | Pin |
| 4 | 3423-073 | 1 | | Washer |
| 5 | 3423-013 | 2 | S | Screw, Cap |
| 6 | 3423-071 | 1 | /P | C-Ring |
| 7 | 3402-138 | 1 | S | Arm, Valve Rocker- Intake (inc. 8-9) |
| 8 | 3423-075 | 4 | | Screw, Cap |
| 9 | 3423-076 | 4 | | Nut |
| 10 | 3402-139 | 1 | | Arm, Valve Rocker - Exhaust (inc. 8-9) |
| 11 | 3402-148 | 4 | | Seat, Spring |
| 12 | 3402-078 | 4 | | Seal, Oil |
| 13 | 3402-140 | 1 | | Shaft, Rocker Arm |
| 14 | 3402-141 | 1 | | Shaft, Rocker Arm |
| 15 | 3423-031 | 2 | | Washer |
| 16 | 3402-040 | 2 | /P | Plug, Shaft |
| 17 | 3402-012 | 2 | | Gasket |
| 18 | 3402-142 | 2 | S | Valve, Intake |
| 19 | 3402-143 | 2 | | Valve, Exhaust |
| 20 | 3402-144 | 4 | | Spring, Valve - Set |
| 21 | 3402-146 | 4 | S | Retainer, Spring |
| 22 | 3402-147 | 8 | | Cotter, Valve |



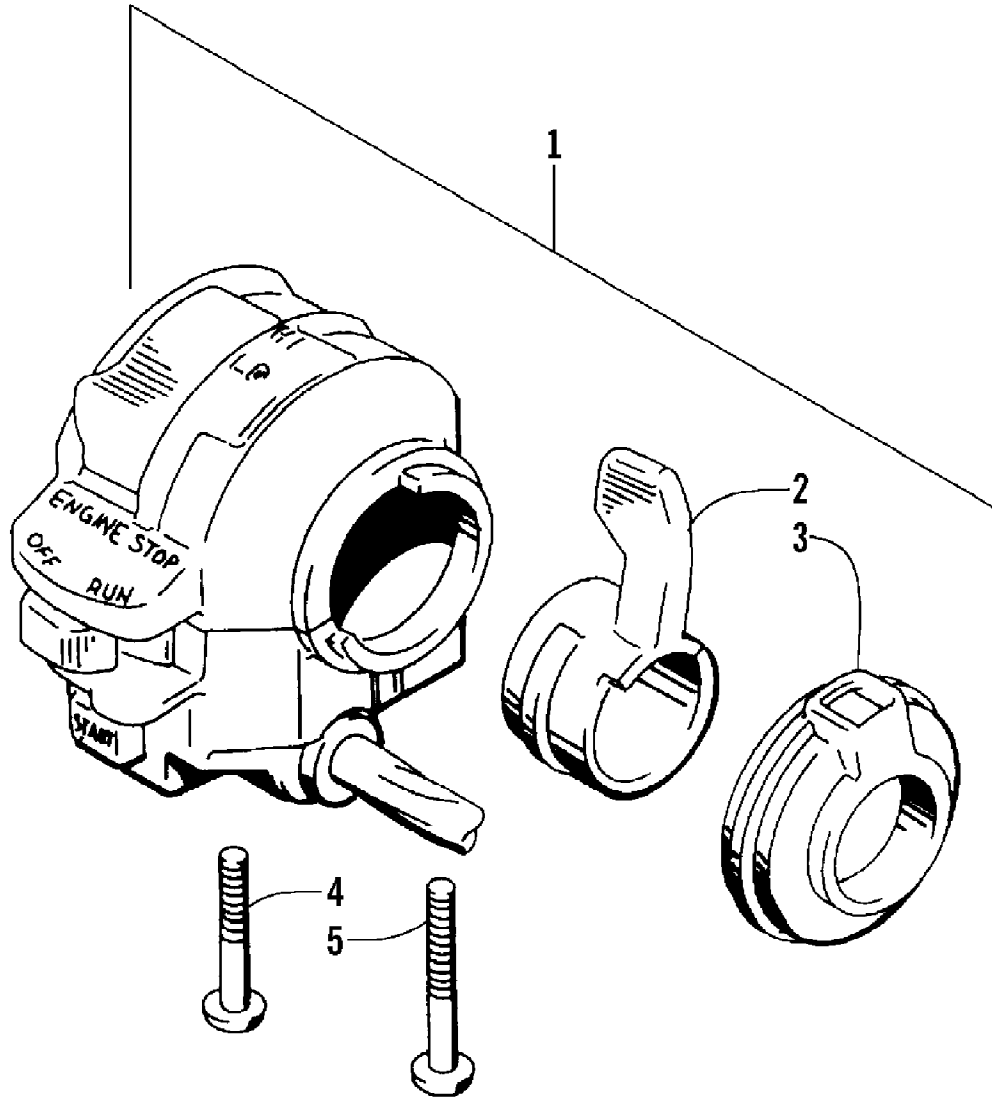
2002 ATV 400 4X4/500 MANUAL TRANSMISSION (400 RED) (A2002ATI4AUSR) Page 10 of 94
CARBURETOR

| Ref # | Part Number | Qty | S/P/F | Description |
|-------|-------------|-----|-------|--|
| | 0470-389 | 1 | | Complete Assembly |
| | 0470-449 | 1 | /P | Complete Assembly - 500 |
| 1 | 5507-001 | 1 | | Cover, Top |
| 2 | 5507-002 | 4 | /P | Screw, Top Cover |
| 3 | 5507-052 | 1 | | Spring |
| 3 | 5507-085 | 1 | S | Spring (500) |
| 4 | 5507-004 | 1 | /P | Piston, Vacuum |
| 5 | 5507-005 | 1 | | Spring, Seat |
| 5 | 5507-054 | 1 | | Spring, Seat (500) |
| 6 | 5507-091 | 1 | | Jet Needle |
| 6 | 5507-006 | 1 | | Jet Needle (500) |
| 7 | 5507-007 | 1 | | Needle Jet |
| 8 | 5507-047 | 1 | /P | Holder, Needle Jet |
| 9 | 5507-044 | 1 | | Main Jet - 140 |
| 9 | 5507-086 | 1 | | Main Jet - 148 (500) |
| 9 | 5507-009 | 1 | /P | Main Jet - 150 |
| 9 | 5507-041 | 1 | | Main Jet - 147 |
| 9 | 5507-043 | 1 | | Main Jet - 142 |
| 10 | 5507-010 | 1 | S | Slow Jet - 38 |
| 11 | 5507-092 | 1 | | Starter Jet - 90 |
| 11 | 5507-011 | 1 | | Starter Jet - 102 (500) |
| 12 | 5507-038 | 1 | | Valve, Float - Set (inc. 13) |
| 13 | 0 | 1 | F | O Clip |
| 14 | 0 | 1 | F | Pin, Float |
| 15 | 5507-039 | 1 | | Float Set (inc. 14) |
| 16 | 5507-050 | 1 | /P | Screw, Drain |
| 17 | 5507-089 | 4 | S | Screw |
| 18 | 5507-040 | 1 | | Screw, Pilot Air - Set (inc. 19-21) |
| 19 | 0 | 1 | F | O-Ring |
| 20 | 0 | 1 | F | Spring |
| 21 | 0 | 1 | F | Washer |
| 22 | 5507-022 | 1 | | Valve, Starter |
| 23 | 5507-023 | 1 | | Spring |
| 24 | 5507-024 | 1 | | O-Ring |
| 25 | 5507-025 | 1 | | Cap |
| 26 | 5507-026 | 1 | | Cap, Rubber |
| 27 | 5507-027 | 1 | | Screw, Idle Adjust |
| 28 | 5507-028 | 1 | | Washer |
| 29 | 5507-029 | 1 | | Spring |
| 30 | 5507-084 | 1 | S | Tube, Vinyl |
| 31 | 5507-031 | 1 | S | Diaphragm Assembly |
| 32 | 5507-032 | 1 | | Spring |
| 33 | 0 | 1 | F | Housing, Pump |
| 34 | 5507-034 | 1 | | U-Ring |
| 35 | 5507-035 | 3 | | Screw |
| 36 | 5507-036 | 1 | | Cover |
| 37 | 5507-037 | 1 | /P | Screw |
| 38 | 0487-016 | 1 | | Cable, Choke |
| 39 | 0487-021 | 1 | S | Cable, Throttle |
| 40 | 5507-065 | 1 | | Chamber, Float - Assembly (inc. 16, 31-35, and 41) |
| 41 | 5507-067 | 1 | /P | O-Ring, Float Chamber |



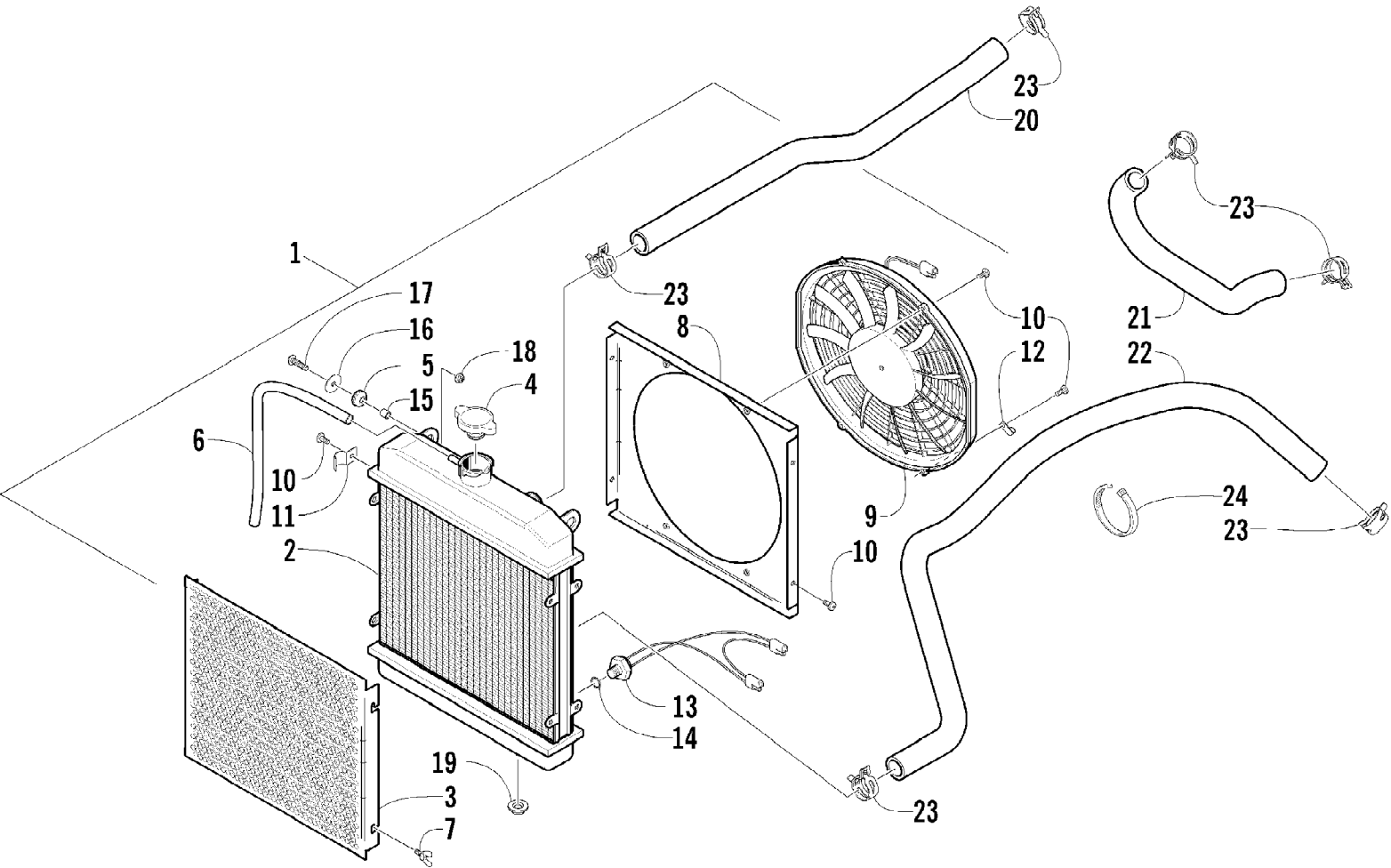
2002 ATV 400 4X4/500 MANUAL TRANSMISSION (400 RED) (A2002ATI4AUSR)
CLUTCH ASSEMBLY

| Ref # | Part Number | Qty | S/P/F | Description |
|-------|-------------|-----|-------|--------------------------------------|
| 1 | 3446-001 | 1 | S | Housing, Starter Clutch |
| 1 | 3446-232 | 1 | | Housing, Starter Clutch (500) |
| 2 | 3446-003 | 1 | | Clutch, Primary Drive One Way |
| 3 | 3446-227 | 1 | | Shoe, Starter Clutch |
| 3 | 3446-233 | 1 | | Shoe, Starter Clutch (500) |
| 4 | 3423-081 | 1 | | Nut, Starter Clutch Shoe |
| 5 | 3423-032 | 1 | | Washer, Starter Clutch Shoe |
| 6 | 3423-122 | 1 | | Washer, Primary Driven |
| 7 | 3423-186 | 1 | | Washer, Primary Driven |
| 7 | 3423-350 | 1 | | Washer, Primary Driven (500) |
| 8 | 3446-002 | 1 | | Gear, Primary Driven - Assembly |
| 9 | 3446-213 | 1 | | Hub, Clutch Sleeve |
| 9 | 3446-004 | 1 | | Hub, Clutch Sleeve (500) |
| 10 | 3423-330 | 4 | | Screw, Cap - Clutch Spring |
| 11 | 3446-005 | 4 | | Spring, Clutch |
| 12 | 3446-006 | 5 | | Plate, Clutch Drive |
| 12 | 3446-006 | 6 | | Plate, Clutch Drive (500) |
| 13 | 3446-226 | 4 | | Plate, Clutch Driven |
| 13 | 3446-007 | 5 | | Plate, Clutch Driven (500) |
| 14 | 3446-008 | 1 | | Disc, Clutch Pressure |
| 15 | 3446-009 | 1 | | Plate, Clutch Release |
| 16 | 3423-080 | 1 | | Nut, Clutch Sleeve Hub |
| 17 | 3423-032 | 1 | | Washer, Clutch Sleeve Hub |
| 18 | 3446-011 | 1 | | Arm, Clutch Release |
| 19 | 3423-361 | 1 | | Bolt, Clutch Release (No. 1) |
| 19 | 3423-333 | 1 | | Bolt, Clutch Release (No. 1) (500) |
| 20 | 3423-083 | 1 | | Bolt, Clutch Release (No. 2) |
| 21 | 3446-214 | 1 | | Guide, Release Roller |
| 22 | 3446-013 | 1 | S | Roller, Clutch Release - Assembly |
| 23 | 3423-125 | 1 | S | Bolt, Clutch Release Arm |
| 24 | 3008-014 | 1 | | Nut, Clutch Release (No. 2) |
| 25 | 3423-359 | 1 | | Nut, Clutch Release (No. 1) |
| 25 | 3423-022 | 1 | | Nut, Clutch Release (No. 1) (500) |
| 26 | 3423-027 | 1 | | Washer, Clutch Release (No. 2) |
| 27 | 3402-186 | 1 | /P | Bearing, Clutch Release Plate |
| 28 | 3423-360 | 1 | | Washer, Clutch Release (No. 1) |
| 28 | 3423-204 | 1 | /P | Washer, Clutch Release (No. 1) (500) |

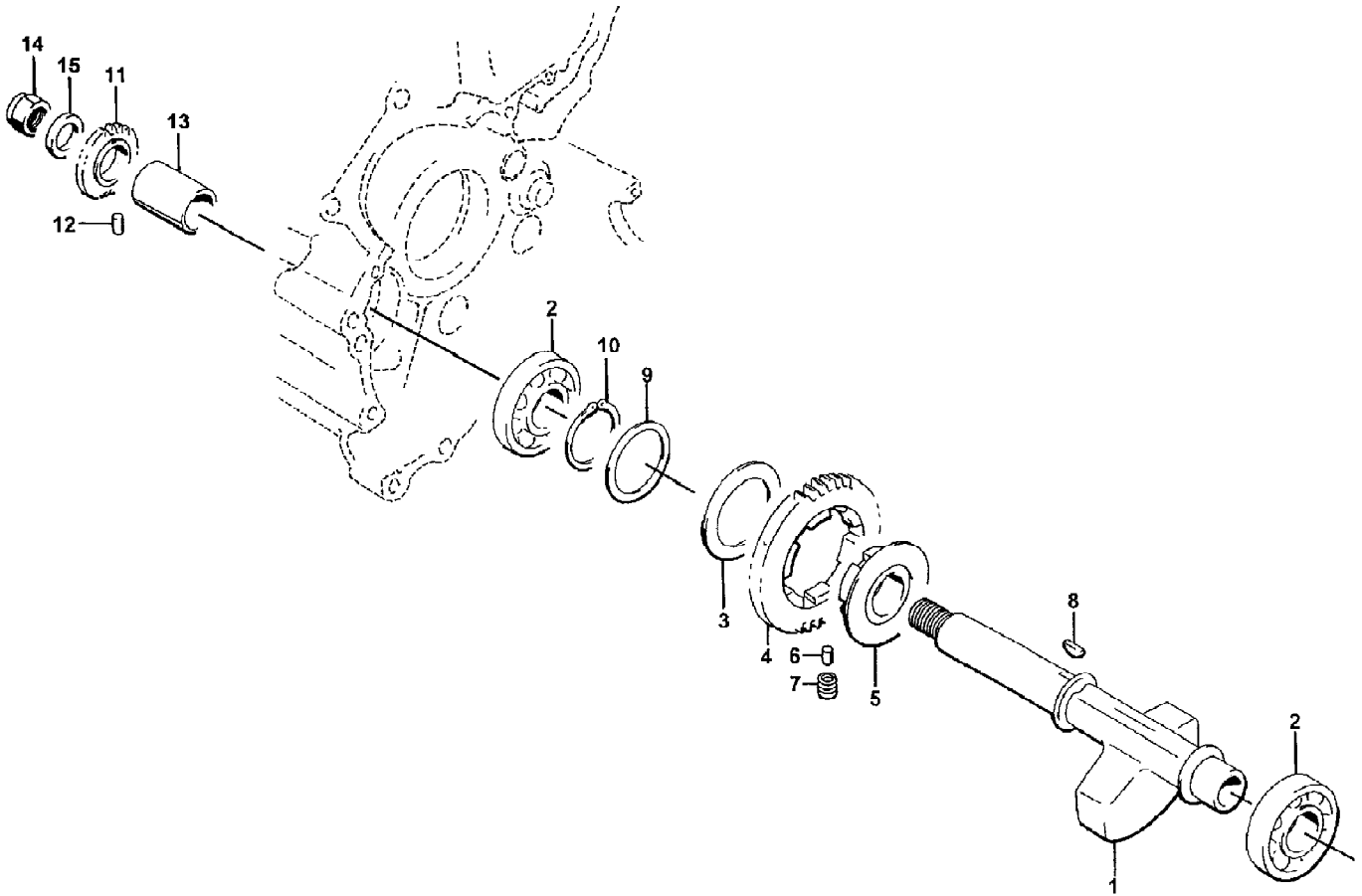


2002 ATV 400 4X4/500 MANUAL TRANSMISSION (400 RED) (A2002ATI4AUSR) Page 14 of 94
CONTROL SWITCH HOUSING ASSEMBLY

| Ref # | Part Number | Qty | S/P/F | Description |
|-------|-------------|-----|-------|---------------------------------------|
| 1 | 3509-001 | 1 | S | Switch, Control - Assembly (inc. 2-5) |
| 2 | 3409-009 | 1 | | Lever, Choke |
| 3 | 3409-010 | 1 | | Cover, Choke Lever |
| 4 | 3423-196 | 1 | | Screw, Cap |
| 5 | 3423-197 | 1 | | Screw |

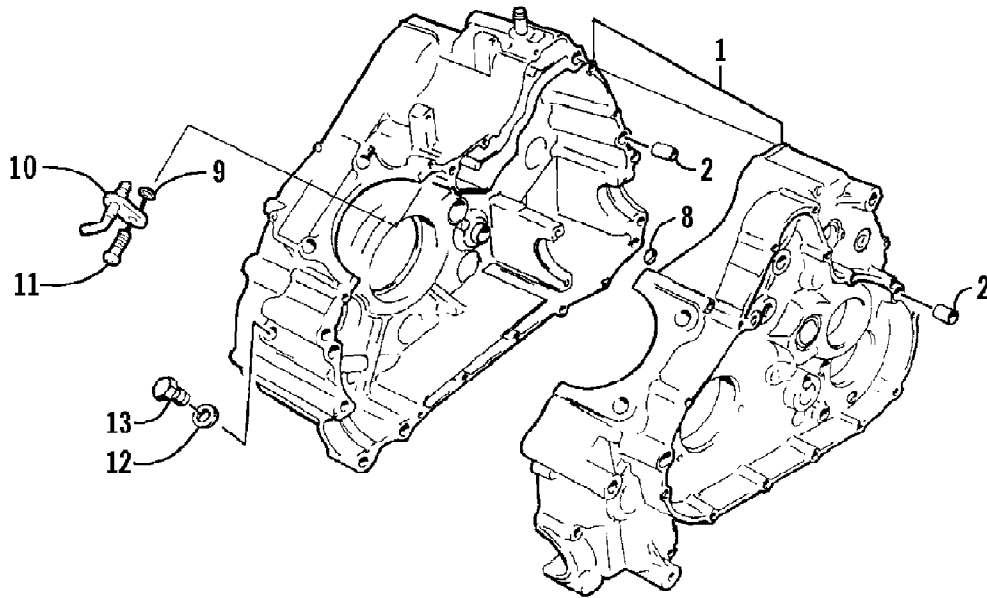
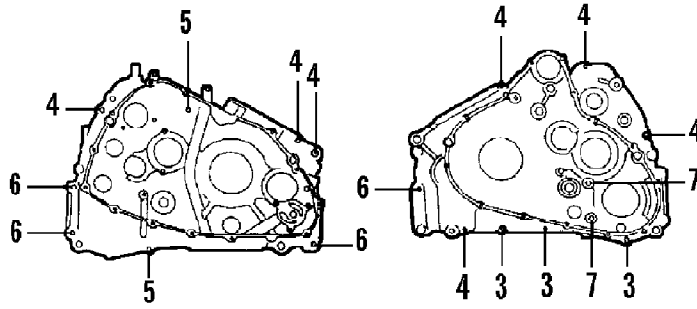


| Ref # | Part Number | Qty | S/P/F | Description |
|-------|-------------|-----|-------|-------------------------------|
| 1 | 0413-038 | 1 | | Radiator Assembly (inc. 2-14) |
| 2 | 0 | 1 | F | Radiator |
| 3 | 0413-007 | 1 | | Screen, Radiator |
| 4 | 0413-002 | 1 | S | Cap, Radiator |
| 5 | 0423-030 | 2 | | Grommet |
| 6 | 0610-016 | AR | /P | Hose - 25 ft |
| 7 | 0413-009 | 4 | | Screw, Thumb |
| 8 | 0413-046 | 2 | | Shroud, Fan |
| 9 | 0413-044 | 1 | S | Fan, Cooling |
| 10 | 8475-512 | 8 | | Screw, Machine |
| 11 | 0423-351 | 1 | | Clamp, Wire |
| 12 | 0123-397 | 1 | | Clamp, Cable |
| 13 | 0413-045 | 1 | | Sender, Temperature - Coolant |
| 14 | 0423-390 | 1 | S | 1 O-Ring |
| 15 | 0423-036 | 2 | | Collar |
| 16 | 0623-184 | 2 | | Washer |
| 17 | 8476-620 | 2 | | Screw, Cap |
| 18 | 0623-038 | 2 | | Nut w/Washer |
| 19 | 0423-028 | 2 | | Bushing, Stem |
| 20 | 0410-002 | 1 | | Hose, Coolant - Upper |
| 21 | 0410-003 | 1 | | Hose, Coolant - Crossover |
| 22 | 0410-042 | 1 | | Hose, Coolant - Lower |
| 23 | 0423-070 | 6 | | Clamp, Hose |
| 24 | 0123-788 | A | /P | Cable Tie - 7 in. |



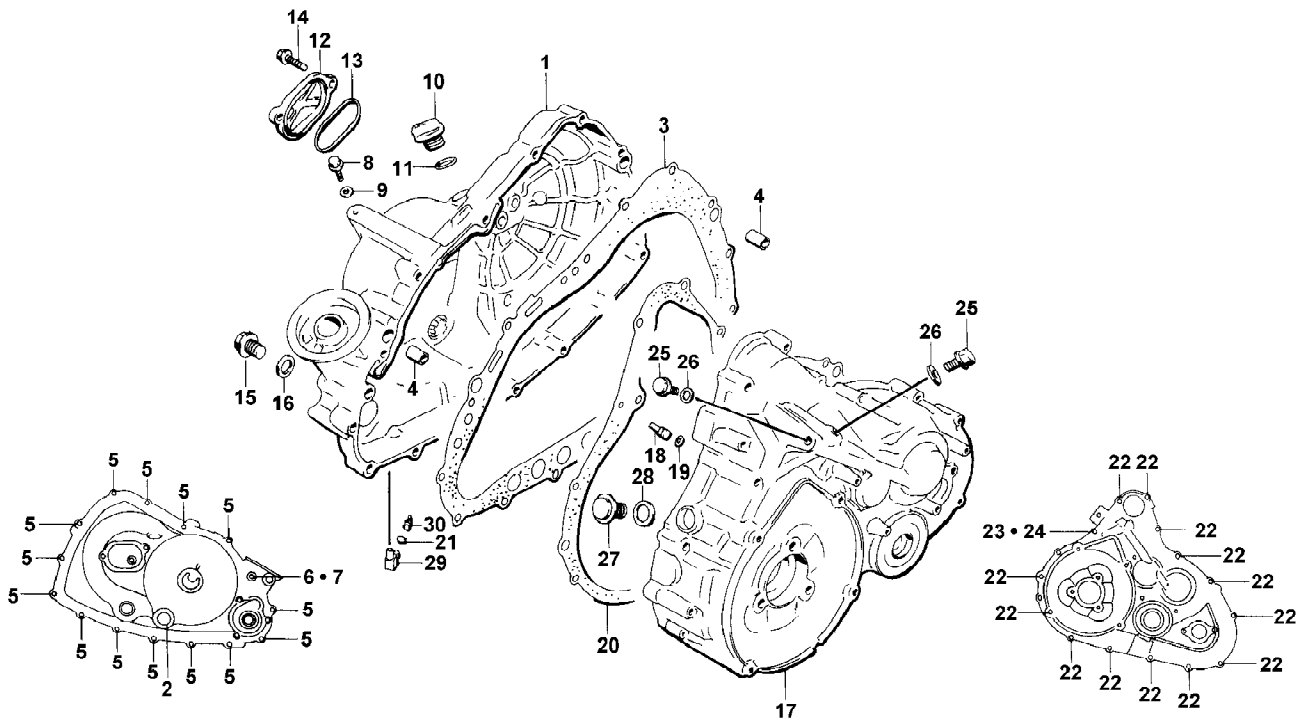
2002 ATV 400 4X4/500 MANUAL TRANSMISSION (400 RED) (A2002ATI4AUSR)
CRANK BALANCER ASSEMBLY

| Ref # | Part Number | Qty | S/P/F | Description |
|-------|-------------|-----|-------|----------------------------|
| 1 | 3402-345 | 1 | | Balancer, Crank |
| 1 | 3402-350 | 1 | | Balancer, Crank (500) |
| 2 | 3402-050 | 2 | | Bearing |
| 3 | 3423-033 | 1 | | Washer |
| 4 | 3402-128 | 1 | | Gear, Driven |
| 4 | 3402-351 | 1 | | Gear, Driven (500) |
| 5 | 3402-129 | 1 | | Race, Driven Gear - Inner |
| 6 | 3423-106 | 3 | /P | Pin |
| 7 | 3402-090 | 6 | | Spring |
| 8 | 3004-540 | 1 | /P | Key |
| 9 | 3423-107 | 1 | | Washer |
| 10 | 3423-200 | 1 | /P | Circlip |
| 11 | 3402-390 | 1 | | Gear, Oil Pump Drive |
| 11 | 3402-150 | 1 | | Gear, Oil Pump Drive (500) |
| 12 | 3423-114 | 1 | /P | Pin |
| 13 | 3402-151 | 1 | | Spacer |
| 14 | 3423-025 | 1 | | Nut, Lock |
| 15 | 3423-029 | 1 | | Washer |



2002 ATV 400 4X4/500 MANUAL TRANSMISSION (400 RED) (A2002ATI4AUSR)
CRANKCASE ASSEMBLY

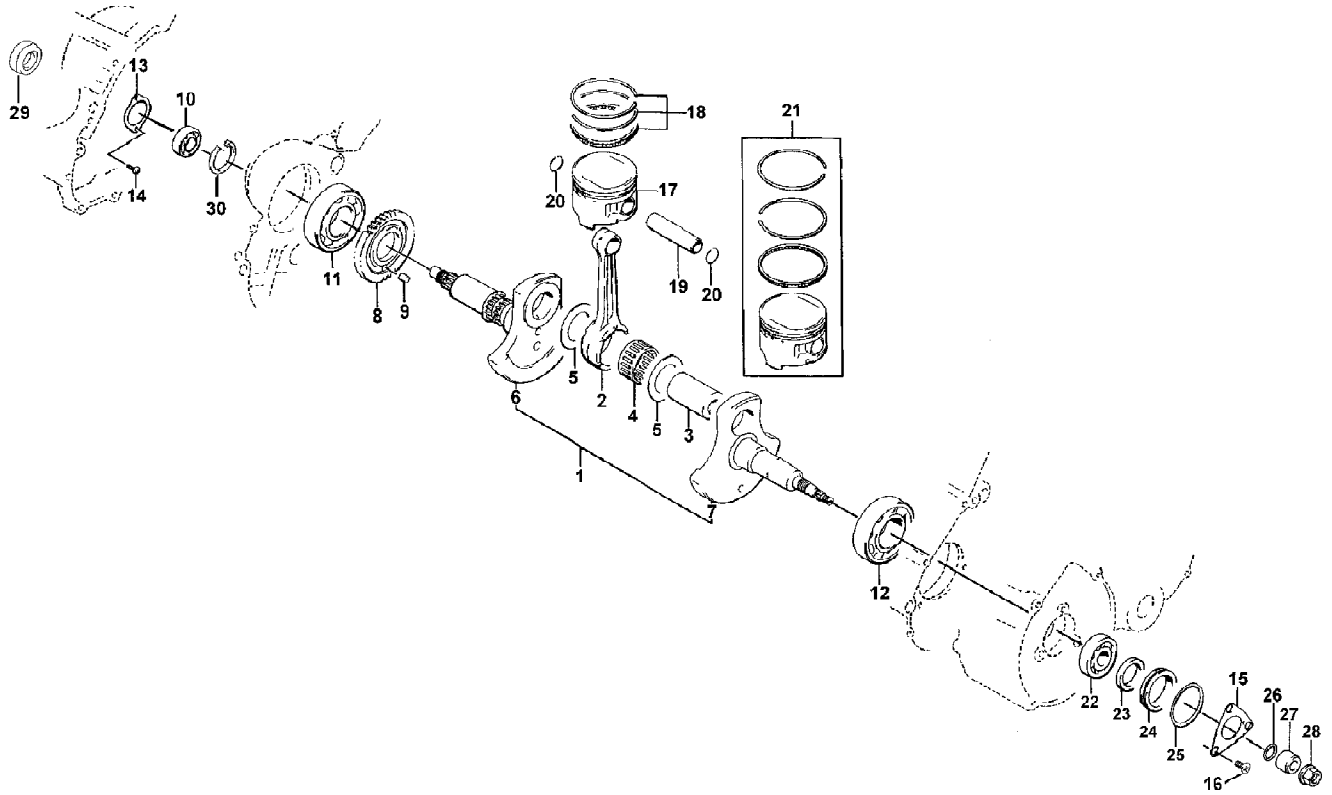
| Ref # | Part Number | Qty | S/P/F | Description |
|-------|-------------|-----|-------|---------------------------------|
| 1 | 3402-388 | 1 | /P | Crankcase Set (inc. 2-8) |
| 1 | 3402-366 | 1 | S | Crankcase Set (inc. 2-11) (500) |
| 2 | 3423-088 | 4 | | Pin, Dowel |
| 3 | 3423-091 | 3 | S | Screw, Cap |
| 4 | 3423-092 | 7 | S | Screw, Cap |
| 5 | 3423-094 | 2 | | Screw, Cap |
| 6 | 0693-303 | 4 | S | Screw, Cap |
| 7 | 3423-093 | 2 | | Screw, Cap |
| 8 | 3423-052 | 1 | | O-Ring |
| 9 | 3423-051 | 1 | | O-Ring (500) |
| 10 | 3402-369 | 1 | | Jet, Piston Cooling (500) |
| 11 | 3004-552 | 1 | S | Screw (500) |
| 12 | 3402-011 | 1 | | Gasket |
| 13 | 3423-095 | 1 | | Plug, Oil Gallery |



2002 ATV 400 4X4/500 MANUAL TRANSMISSION (400 RED) (A2002ATI4AUSR)
CRANKCASE COVER ASSEMBLY

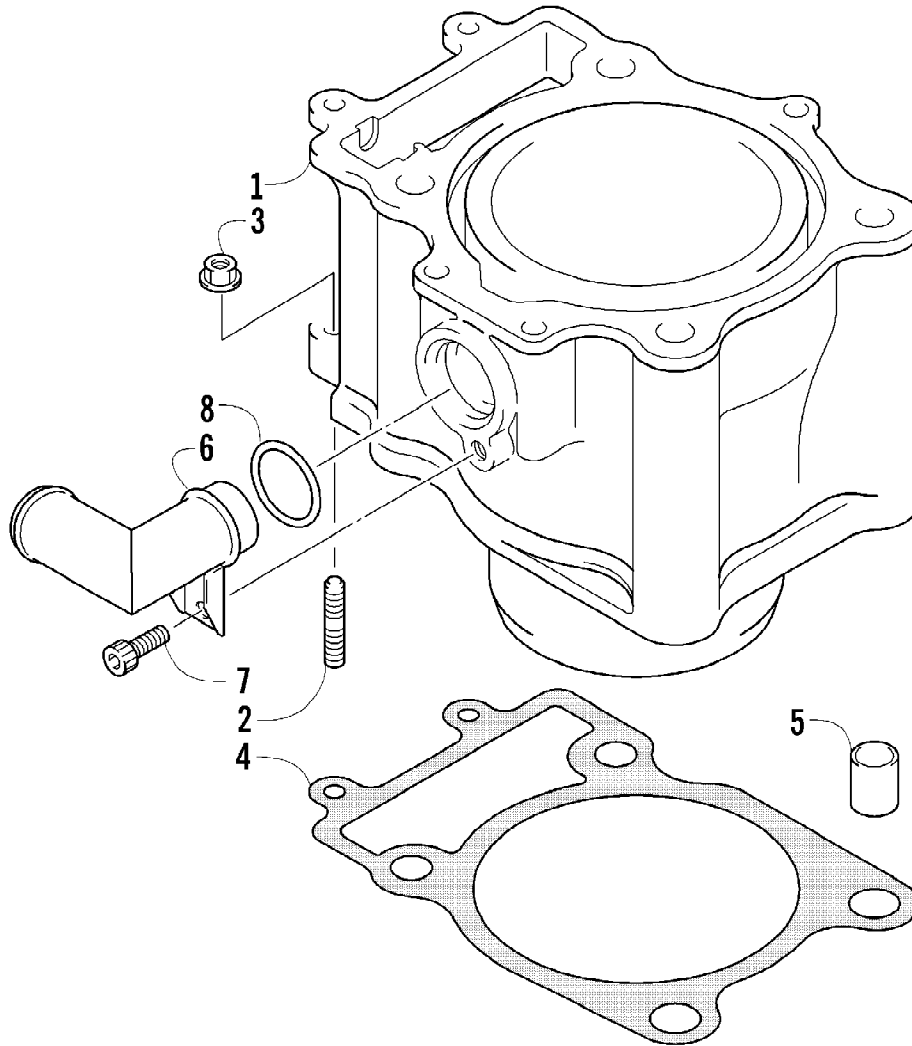
| Ref # | Part Number | Qty | S/P/F | Description |
|-------|-------------|-----|-------|--|
| 1 | 3402-199 | 1 | /P | Cover, Clutch (inc. 2) |
| 1 | 3402-367 | 1 | | Cover, Clutch (inc. 2) (500) |
| 2 | 3402-112 | 1 | /P | Lens, Oil Inspection |
| 3 | 3402-108 | 1 | | Gasket |
| 4 | 3423-088 | 4 | | Pin, Dowel |
| 5 | 0693-327 | 14 | S | Screw, Cap |
| 6 | 3423-097 | 1 | | Screw, Cap |
| 7 | 3003-290 | 1 | /P | Gasket |
| 8 | 3004-339 | 1 | S/P | Plug, Oil Gallery |
| 9 | 3003-290 | 1 | /P | Gasket |
| 10 | 3402-042 | 1 | | Cap, Engine Oil Filler |
| 11 | 3423-055 | 1 | | O-Ring |
| 12 | 3402-100 | 1 | | Cap, Inspection |
| 12 | 3402-363 | 1 | | Cap, Inspection (500) |
| 13 | 3402-101 | 1 | | O-Ring |
| 14 | 3423-096 | 2 | S | Screw, Cap |
| 15 | 3402-037 | 1 | | Plug, Oil Pressure |
| 15 | 3402-214 | 1 | | Plug, Oil Pressure (500) |
| 16 | 3402-012 | 1 | | Gasket |
| 17 | 3402-106 | 1 | | Cover Set, Transfer (inc. 18-19) |
| 17 | 3402-368 | 1 | | Cover Set, Transfer (inc. 18-19) (500) |
| 18 | 3402-097 | 1 | | O Jet, Oil Mission |
| 19 | 3423-051 | 1 | | O-Ring |
| 20 | 3402-109 | 1 | S | Gasket |
| 21 | 3423-120 | 1 | | Clip |
| 22 | 3423-098 | 13 | S | Screw, Cap |
| 23 | 3423-092 | 1 | S | Screw, Cap |
| 24 | 3003-290 | 1 | /P | Gasket |
| 25 | 3004-705 | 2 | S | Plug, Oil Gallery |
| 25 | 3423-348 | 2 | | Plug, Oil Gallery (500) |
| 26 | 3005-242 | 2 | | Gasket |
| 27 | 3402-041 | 1 | S | Plug |
| 28 | 3402-013 | 1 | /P | Gasket |
| 29 | 3413-009 | 1 | | Union, Water Drain |
| 30 | 3413-008 | 1 | | Hose |

2002 ATV 400 4X4/500 MANUAL TRANSMISSION (400 RED) (A2002ATI4AUSR) Page 23 of 94
CRANKSHAFT ASSEMBLY



2002 ATV 400 4X4/500 MANUAL TRANSMISSION (400 RED) (A2002ATI4AUSR)
CRANKSHAFT ASSEMBLY

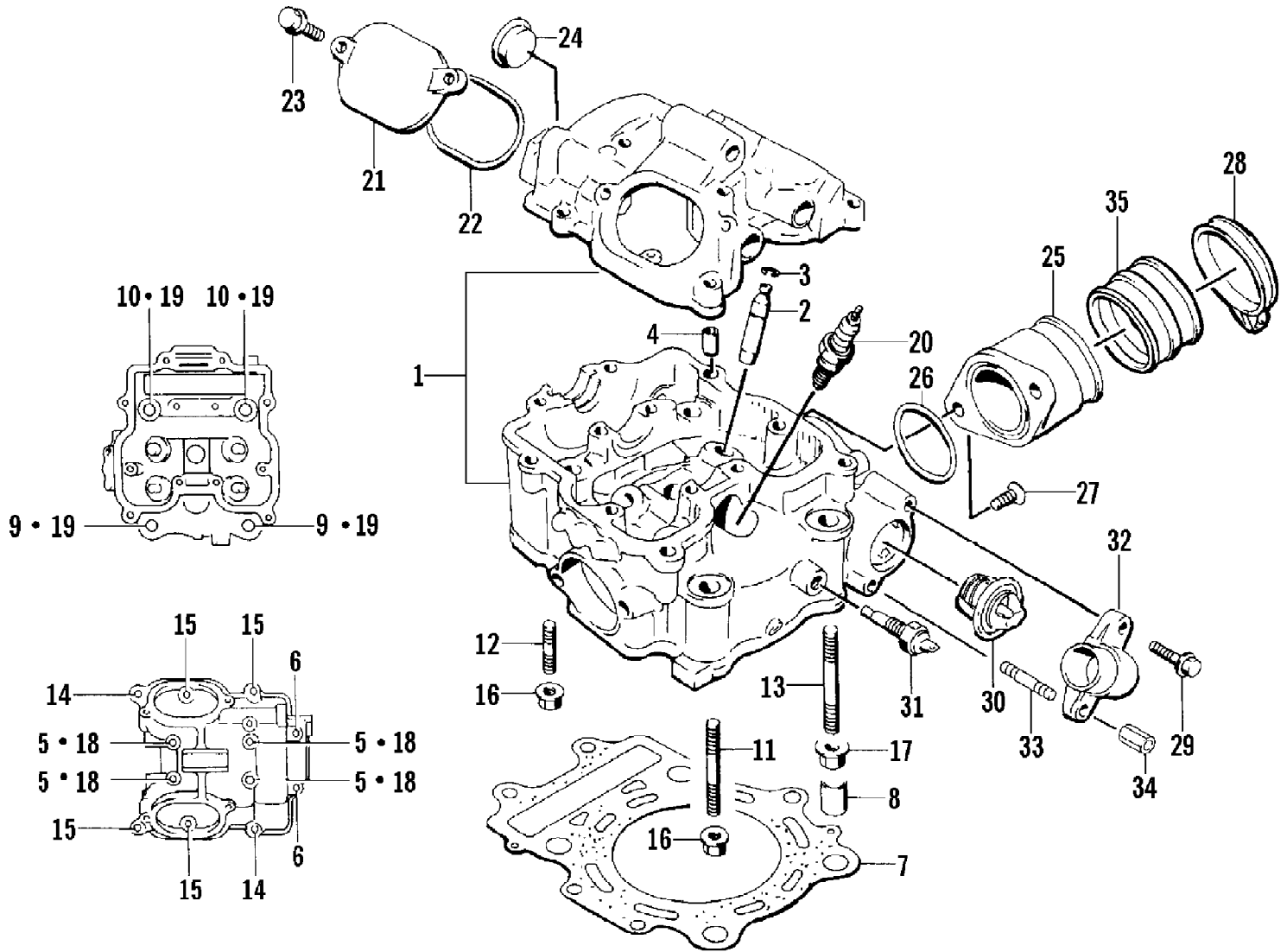
| Ref # | Part Number | Qty | S/P/F | Description |
|-------|-------------|-----|-------|--|
| 1 | 3402-339 | 1 | | Crankshaft Assembly (inc. 2-9) |
| 1 | 3402-372 | 1 | | Crankshaft Assembly (inc. 2-9) (500) |
| 2 | 3402-341 | 1 | | Rod, Connecting |
| 2 | 3402-376 | 1 | | Rod, Connecting (500) |
| 3 | 3402-116 | 1 | | Pin, Crank |
| 3 | 3402-377 | 1 | | Pin, Crank (500) |
| 4 | 3402-064 | 1 | | Bearing |
| 4 | 3402-386 | 1 | S | Bearing (500) |
| 5 | 3423-030 | 2 | | Washer |
| 5 | 3423-351 | 2 | | Washer (500) |
| 6 | 3402-342 | 1 | | Crankshaft Set - Right (inc. 8-9) |
| 6 | 3402-378 | 1 | | Crankshaft Set - Right (inc. 8-9) (500) |
| 7 | 3402-343 | 1 | | Crankshaft - Left |
| 7 | 3402-379 | 1 | | Crankshaft - Left (500) |
| 8 | 0 | 1 | F | Gear, Balancer Drive |
| 9 | 0 | 1 | F | Pin |
| 10 | 3402-044 | 1 | | Bearing -Right |
| 10 | 3402-384 | 1 | | Bearing -Right (500) |
| 11 | 3402-058 | 1 | | Bearing -Center |
| 12 | 3402-054 | 1 | | Bearing -Left |
| 13 | 3402-120 | 1 | | Retainer, Bearing - Right |
| 13 | 3423-355 | 1 | | Retainer, Bearing - Right (500) |
| 14 | 3423-017 | 2 | | Screw, Cap (400) |
| 15 | 3402-188 | 1 | /P | Retainer, Oil Seal - Left |
| 16 | 3423-018 | 3 | | Screw, Cap |
| 17 | 3402-340 | 1 | | Piston |
| 17 | 3402-373 | 1 | | Piston (500) |
| 18 | 3402-114 | 1 | | Ring Set, Piston |
| 18 | 3402-374 | 1 | | Ring Set, Piston (500) |
| 18 | 3436-009 | 1 | /P | Ring Set, Piston (Oversized 0.50 mm) (400)** |
| 18 | 3436-010 | 1 | /P | Ring Set, Piston (Oversized 1.00 mm) (400)" |
| 19 | 3402-110 | 1 | | Pin |
| 19 | 3402-375 | 1 | | Pin (500) |
| 20 | 3423-069 | 2 | | Circlip |
| 20 | 3423-344 | 2 | | Circlip (500) |
| 21 | 3402-430 | 1 | | Piston Assembly (inc. 17, 18, and 20) |
| 21 | 3402-431 | 1 | | Piston Assembly (inc. 17, 18, and 20) (500) |
| 21 | 3402-346 | 1 | | Piston Set (Oversized 0.50 mm) (400) |
| 21 | 3402-347 | 1 | | Piston Set (Oversized 1.00 mm) (400) |
| 22 | 3402-051 | 1 | | Bearing |
| 23 | 3402-070 | 1 | | Seal, Oil |
| 24 | 3402-119 | 1 | S | Spacer |
| 25 | 3423-063 | 1 | | O-Ring |
| 26 | 3423-053 | 1 | /P | O-Ring |
| 27 | 3402-348 | 1 | | Spacer, Bearing - Left |
| 28 | 3004-491 | 1 | S/P | Nut |
| 29 | 3402-387 | 1 | | Seal, Oil |
| 30 | 3423-355 | 1 | | Circlip |



2002 ATV 400 4X4/500 MANUAL TRANSMISSION (400 RED) (A2002ATI4AUSR)
CYLINDER ASSEMBLY Page 26 of 94

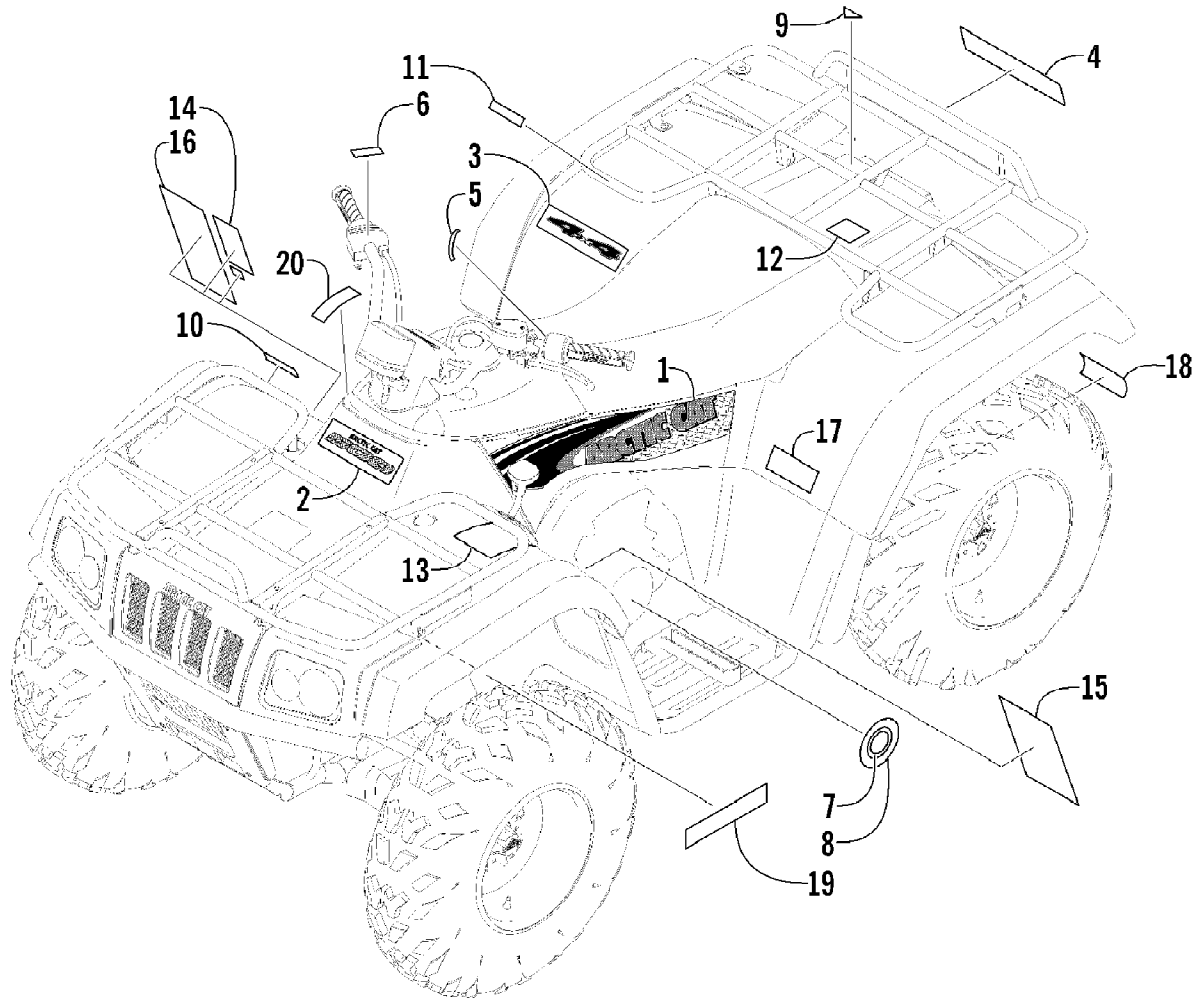
| Ref # | Part Number | Qty | S/P/F | Description |
|-------|-------------|-----|-------|------------------------|
| 1 | 3402-102 | 1 | | Cylinder |
| 1 | 3402-364 | 1 | | Cylinder (500) |
| 2 | 3423-090 | 2 | | Bolt, Stud |
| 3 | 3004-488 | 2 | S/P | Nut |
| 4 | 3402-103 | 1 | S | Gasket, Cylinder |
| 4 | 3402-365 | 1 | /P | Gasket, Cylinder (500) |
| 5 | 3423-088 | 2 | | Pin, Dowel |
| 6 | 3413-006 | 1 | | Union, Water Hose |
| 7 | 3423-121 | 1 | S | Screw, Cap |
| 8 | 3423-058 | 1 | | O-Ring |

2002 ATV 400 4X4/500 MANUAL TRANSMISSION (400 RED) (A2002ATI4AUSR) Page 27 of 94
CYLINDER HEAD ASSEMBLY

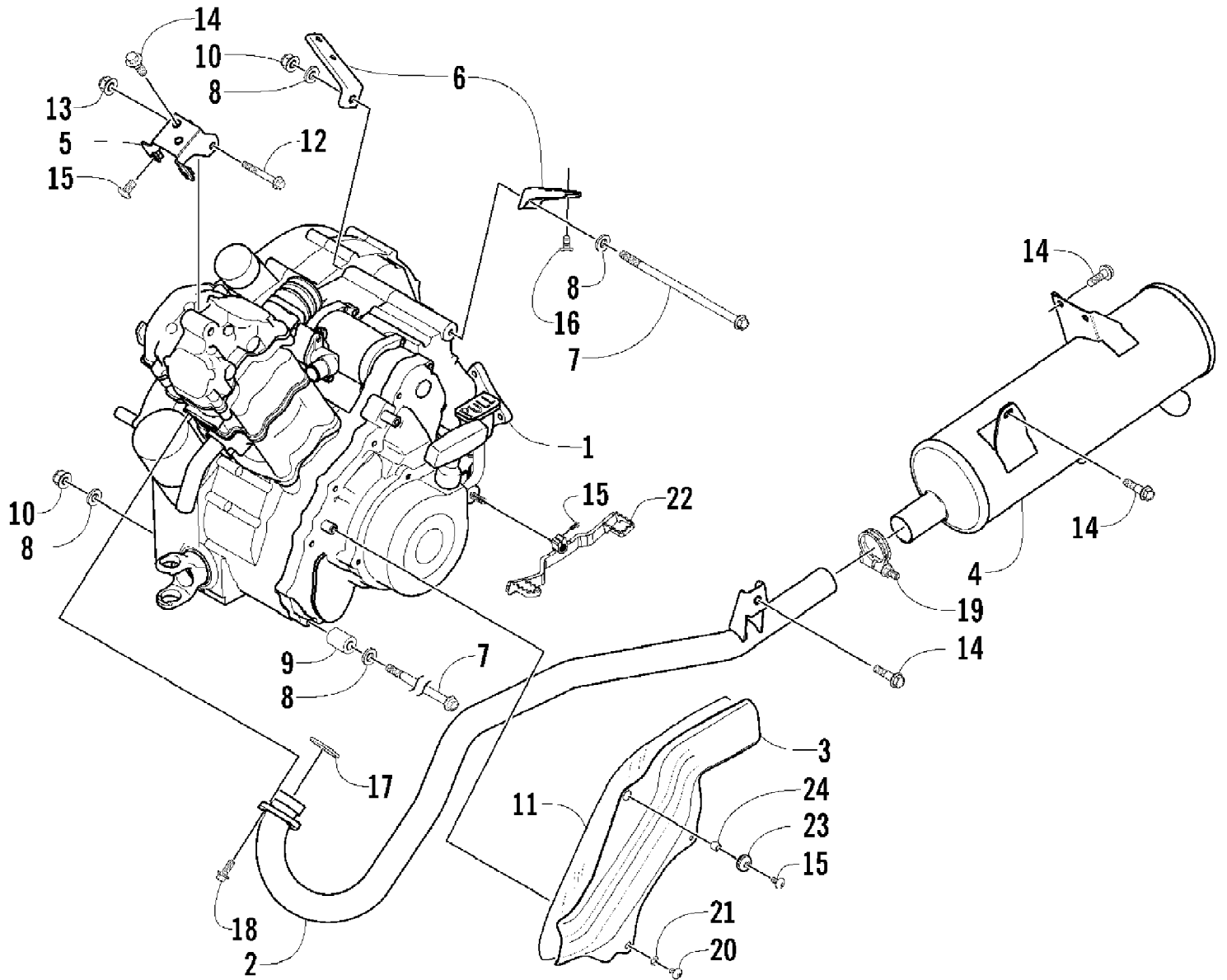


2002 ATV 400 4X4/500 MANUAL TRANSMISSION (400 RED) (A2002ATI4AUSR) Page 28 of 94
CYLINDER HEAD ASSEMBLY

| Ref # | Part Number | Qty | S/P/F | Description |
|-------|-------------|-----|-------|---|
| | 3402-107 | 1 | S | Complete Gasket Set |
| | 3402-370 | 1 | S | Complete Gasket Set - 500 |
| 1 | 3402-098 | 1 | | Head, Cylinder - Assembly (inc. 2-6) |
| 1 | 3402-361 | 1 | | Head, Cylinder - Assembly (inc. 2-6) (50) |
| 2 | 3402-099 | 4 | | Guide, Valve |
| 3 | 3423-068 | 4 | | Circlip |
| 4 | 3423-043 | 2 | /P | Pin, Dowel |
| 5 | 3423-006 | 4 | | Screw, Cap |
| 6 | 3008-376 | 2 | S | Screw, Cap |
| 7 | 3402-163 | 1 | | Gasket, Cylinder Head |
| 7 | 3402-362 | 1 | | Gasket, Cylinder Head (500) |
| 8 | 3423-088 | 2 | | Pin, Dowel |
| 9 | 3423-015 | 2 | | Screw, Cap |
| 10 | 3423-016 | 2 | | Screw, Cap |
| 11 | 3423-089 | 2 | S | Bolt, Stud |
| 12 | 3423-087 | 2 | S | Bolt, Stud |
| 13 | 3423-203 | 1 | S/P | Bolt, Stud |
| 14 | 3423-007 | 2 | S | Screw, Cap |
| 15 | 3004-376 | 4 | S/P | Screw, Cap |
| 16 | 3004-488 | 4 | S/P | Nut |
| 17 | 3004-326 | 1 | S/P | Nut |
| 18 | 3003-290 | 4 | /P | Gasket |
| 19 | 3402-010 | 4 | | Gasket, Head Nut |
| 20 | 0217-632 | 1 | | Spark Plug (NGK CR6E) |
| 21 | 3402-100 | 2 | | Cap, Inspection |
| 22 | 3402-101 | 2 | | O-Ring |
| 23 | 3004-341 | 4 | S/P | Screw, Cap |
| 24 | 3402-035 | 1 | | Plug, Cylinder Head |
| 25 | 3402-149 | 1 | | Pipe, Intake - Assembly (inc. 26) |
| 25 | 3402-357 | 1 | | Pipe, Intake - Assembly (inc. 26) (500) |
| 26 | 3423-332 | 1 | /P | O-Ring |
| 26 | 3423-353 | 1 | /P | O-Ring (500) |
| 27 | 3423-019 | 2 | | Screw, Cap |
| 27 | 3423-347 | 2 | | Screw, Cap (500) |
| 28 | 3402-086 | 2 | /P | Clamp |
| 29 | 3004-341 | 2 | S/P | Screw, Cap |
| 29 | 3004-341 | 1 | S/P | Screw, Cap (500) |
| 30 | 3413-005 | 1 | S | Thermostat |
| 30 | 3413-012 | 1 | | Thermostat (500) |
| 31 | 3430-038 | 1 | S | Switch, Coolant Temperature - Assembly |
| 32 | 3413-004 | 1 | | Cover, Thermostat |
| 33 | 3423-354 | 1 | | Stud, Thermostat Cover (500) |
| 34 | 3423-349 | 1 | | Nut (500) |
| 35 | 0470-412 | 1 | | Tube, Intake |
| 35 | 3402-048 | 1 | | Plug, Frost |

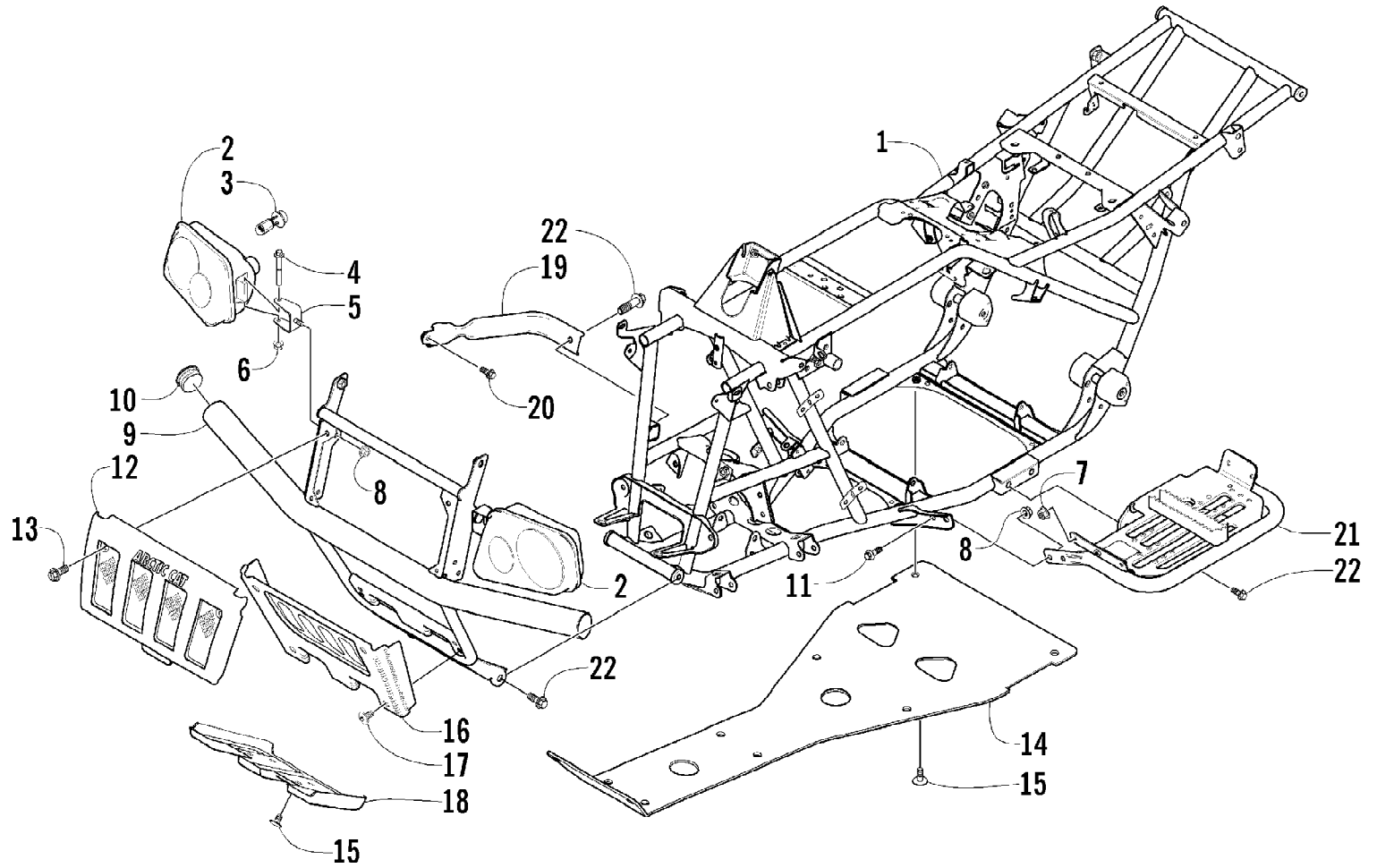


| Ref # | Part Number | Qty | S/P/F | Description |
|-------|-------------|-----|-------|------------------------------------|
| 1 | 0411-365 | 1 | | Decal, Side - Right (Red) |
| 1 | 0411-366 | 1 | | Decal, Side - Left (Red) |
| 1 | 0411-367 | 1 | | Decal, Side - Right (Green) |
| 1 | 0411-368 | 1 | | Decal, Side - Left (Green) |
| 2 | 0411-373 | 1 | | Decal, Front "400" (Red) |
| 2 | 0411-374 | 1 | | Decal, Front "400" (Green) |
| 2 | 0411-375 | 1 | | Decal, Front "500" (Red) |
| 2 | 0411-376 | 1 | | Decal, Front "500" (Green) |
| 3 | 0411-369 | 1 | | Decal, "4X4" (Red) |
| 3 | 0411-370 | 1 | | Decal, "4X4" (Green) |
| 4 | 0411-386 | 1 | | Decal, "Arctic Cat" |
| 5 | 0411-325 | 1 | | Decal, Instruction - Choke |
| 6 | 0411-324 | 1 | | Decal, Instruction - Start In Gear |
| 7 | 0411-003 | 1 | | Decal, Shift Pattern |
| 8 | 0411-009 | 1 | | Decal, Hi/Low Range |
| 9 | 3611-002 | 1 | | Decal, "Made In U.S.A." |
| 10 | 0411-006 | 1 | | Decal, Warning - Front Rack Load |
| 11 | 0411-007 | 1 | | Decal, Warning - Rear Rack Load |
| 12 | 0411-435 | 1 | | Decal, Passenger |
| 13 | 0411-401 | 1 | | Decal, Warning-Age |
| 14 | 0411-008 | 1 | /P | Decal, Warning Reverse/Pre-Ride |
| 15 | 0411-218 | 1 | | Decal, Warning - General |
| 16 | 0411-045 | 1 | | Decal, Warning - Turn |
| 17 | 0411-427 | 1 | | Decal, Warning - Tire Pressure |
| 18 | 0411-267 | 1 | | Decal, Warning - Towing |
| 19 | 0411-398 | 1 | | Decal, CA Emissions (400) |
| 19 | 0411-397 | 1 | | Decal, CA Emissions (500) |
| 20 | 0411-011 | 1 | | Decal, Caution - Electrical |



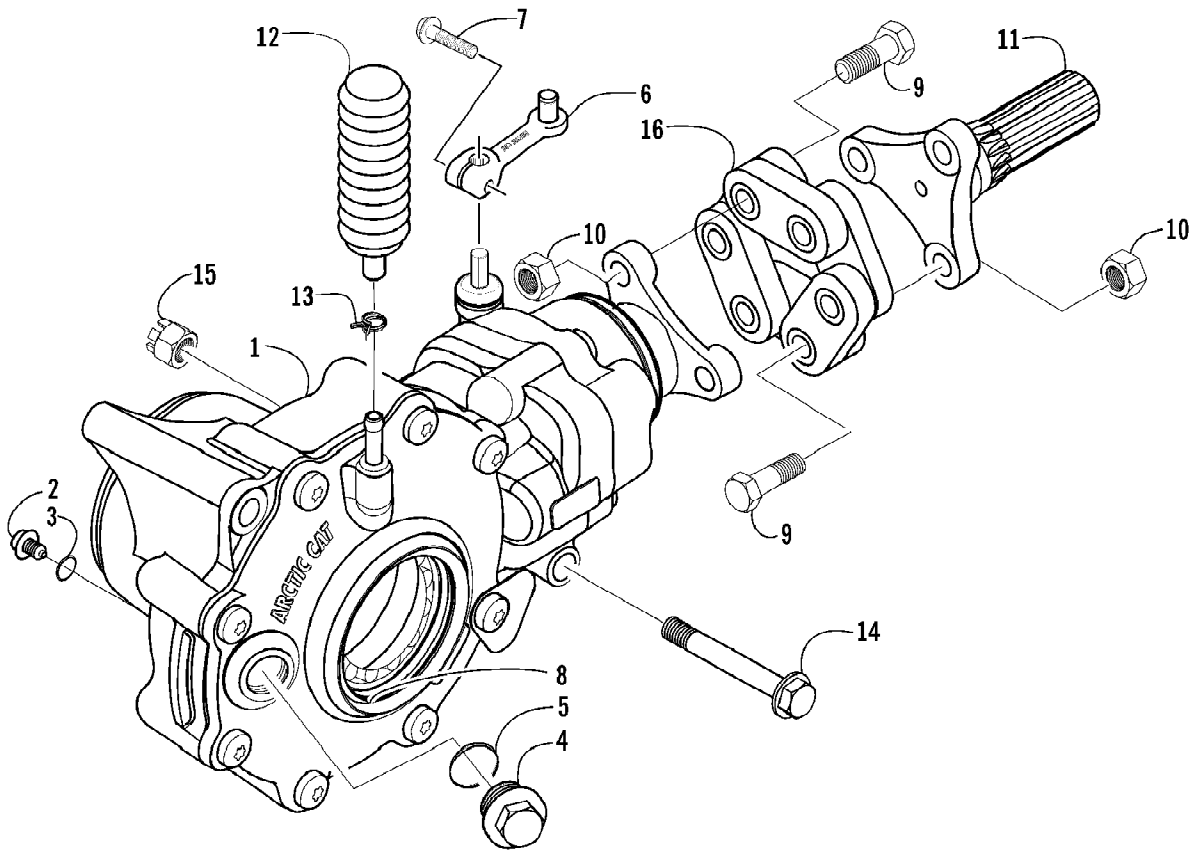
2002 ATV 400 4X4/500 MANUAL TRANSMISSION (400 RED) (A2002ATI4AUSR)
ENGINE AND EXHAUST

| Ref # | Part Number | Qty | S/P/F | Description |
|-------|-------------|-----|-------|-------------------------------|
| 1 | 0462-010 | 1 | | Engine |
| 1 | 4621-011 | 1 | | Engine (500) |
| 2 | 0512-036 | 1 | | Pipe, Exhaust |
| 3 | 0406-869 | 1 | | Cover, Exhaust |
| 4 | 0412-102 | 1 | S | Muffler |
| 5 | 0506-546 | 1 | | Bracket, Engine - Upper |
| 6 | 0406-907 | 1 | | Bracket, Engine - Right |
| 6 | 0406-908 | 1 | S | Bracket, Engine - Left |
| 7 | 3423-009 | 3 | /P | Screw, Cap |
| 8 | 0423-050 | 3 | | Washer, Engine |
| 9 | 0423-042 | 1 | S | Spacer, Engine |
| 10 | 8428-002 | 3 | | Nut, Lock |
| 11 | 0412-143 | 1 | | Shield, Heat |
| 12 | 8408-860 | 1 | | Screw, Cap |
| 13 | 8424-802 | 1 | | Nut |
| 14 | 8408-816 | 6 | | Screw, Cap |
| 15 | 8476-620 | 4 | | Screw, Machine |
| 16 | 8408-616 | 4 | | Screw, Cap |
| 17 | 0412-007 | 1 | /P | Seal, Exhaust |
| 18 | 8408-820 | 2 | /P | Screw, Cap |
| 19 | 0423-150 | 1 | | Clamp, Exhaust |
| 20 | 8477-610 | 2 | | Screw, Machine |
| 21 | 8053-211 | 2 | S | Washer, Lock - External Tooth |
| 22 | 0502-263 | 1 | | Lever, Shift |
| 23 | 0423-030 | 1 | | Grommet |
| 24 | 0423-036 | 1 | | Collar |



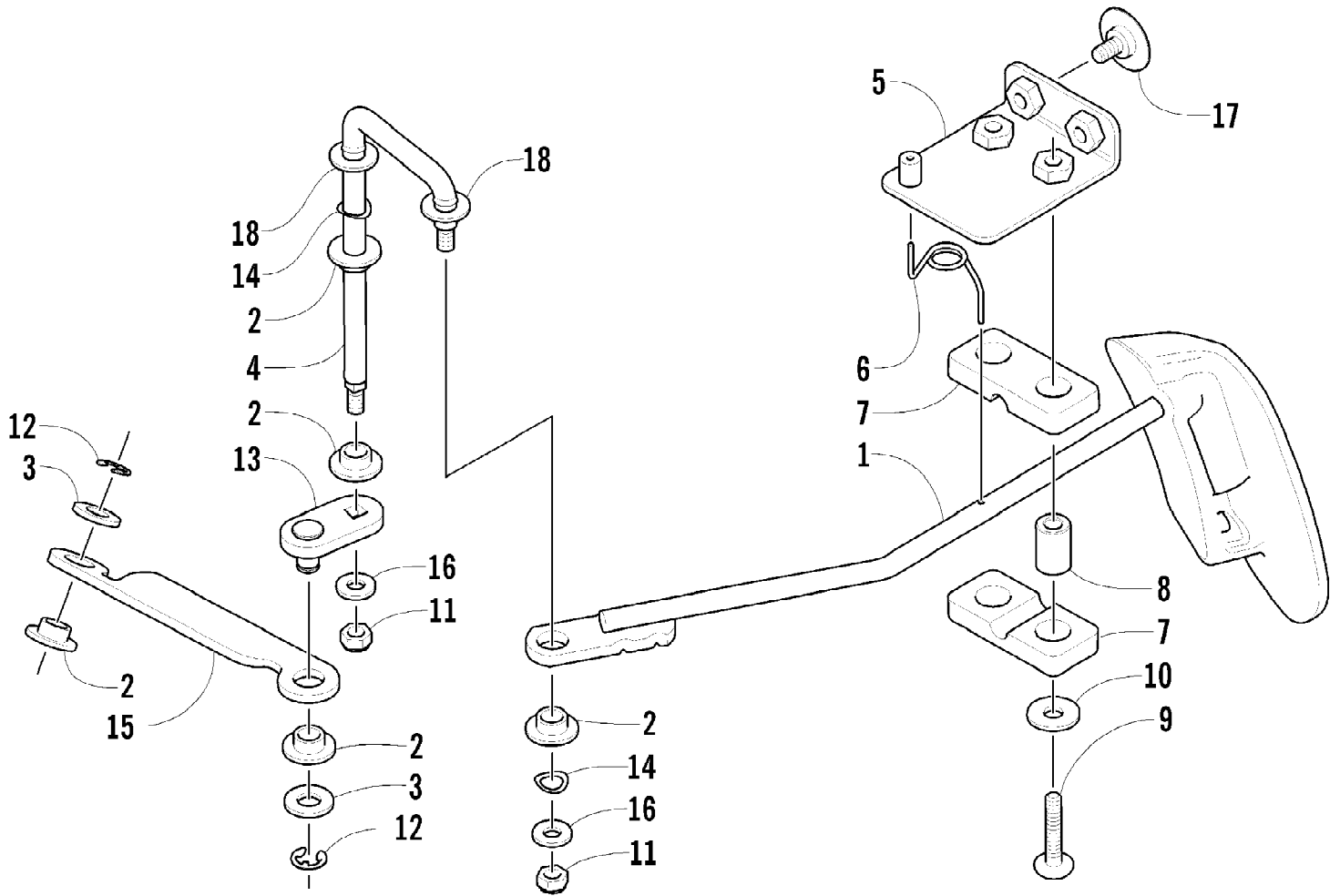
2002 ATV 400 4X4/500 MANUAL TRANSMISSION (400 RED) (A2002ATI4AUSR)
FRAME AND RELATED PARTS

| Ref # | Part Number | Qty | S/P/F | Description |
|-------|-------------|-----|-------|---------------------------------------|
| 1 | 0506-533 | 1 | | Frame, Main |
| 2 | 0409-032 | 2 | | Headlight Assembly - Right (inc. 3-6) |
| 2 | 0409-031 | 2 | | Headlight Assembly - Left (inc. 3-6) |
| 3 | 0409-045 | 2 | | Bulb, Headlight |
| 4 | 8410-860 | 2 | | Screw, Cap |
| 5 | 0406-945 | 2 | | Bracket, Headlight Mounting |
| 6 | 0423-375 | 2 | | Nut, Flange |
| 7 | 8424-602 | 2 | /P | Nut, Flange |
| 8 | 8424-802 | 6 | | Nut |
| 9 | 0506-544 | 1 | | Bumper |
| 10 | 0406-130 | 2 | | Cap, Bumper |
| 11 | 8408-816 | 4 | | Screw, Cap |
| 12 | 0406-832 | 1 | | Grille, Upper |
| 13 | 0423-361 | 2 | | Screw, Machine |
| 14 | 0406-864 | 1 | | Panel, Belly |
| 15 | 0423-101 | AR | | Screw, Body |
| 16 | 0406-833 | 1 | S | Grille, Bumper- Lower |
| 17 | 0423-362 | 4 | | Screw, Machine |
| 18 | 0406-834 | 1 | | Plate, Skid |
| 19 | 0506-653 | 2 | S | Channel, Bumper Mounting |
| 20 | 8408-812 | 2 | | Screw, Cap |
| 21 | 0506-534 | 1 | | Footrest - Right |
| 21 | 0506-535 | 1 | | Footrest - Left |
| 22 | 8409-020 | 8 | /P | Screw, Cap |



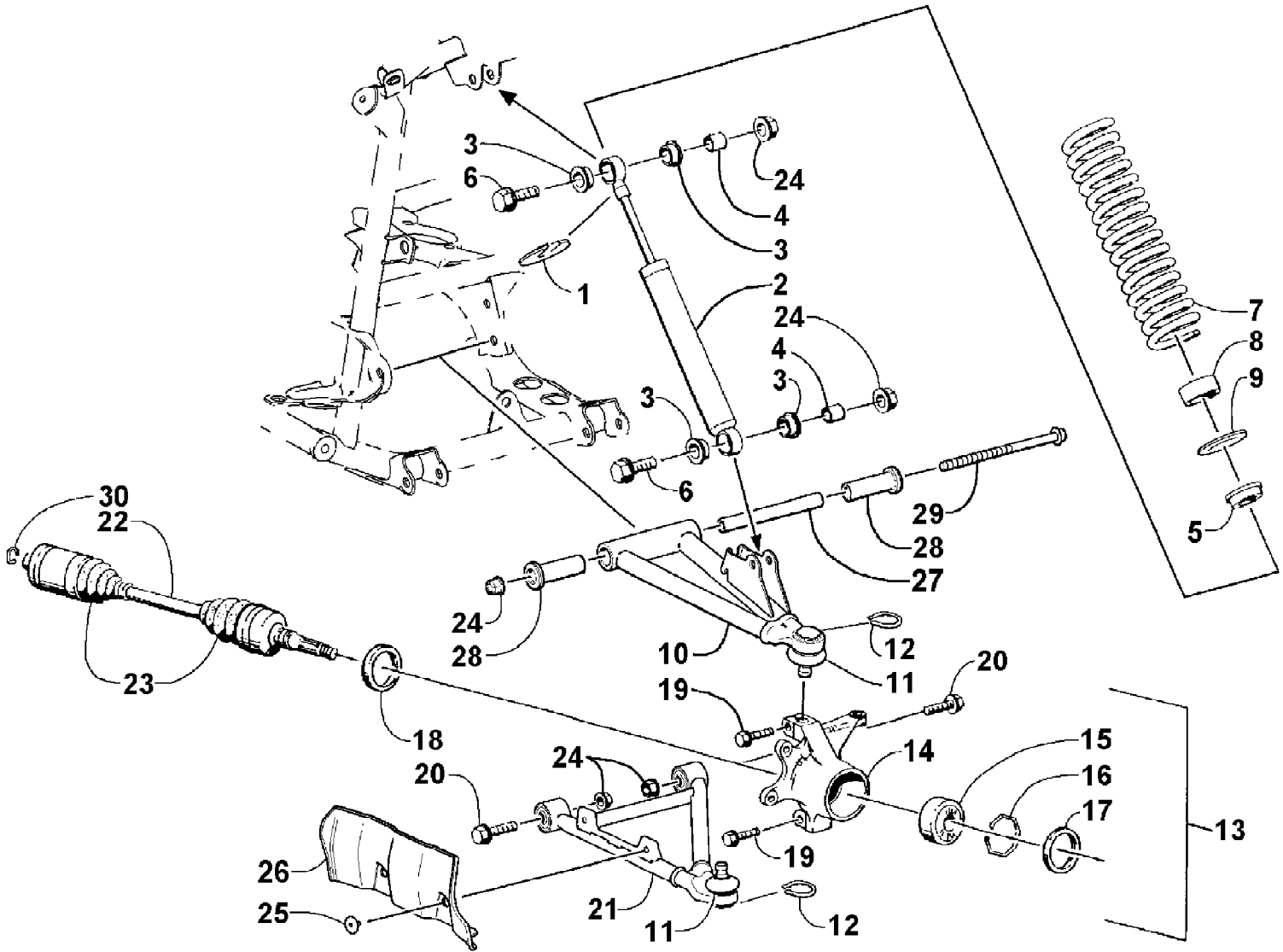
2002 ATV 400 4X4/500 MANUAL TRANSMISSION (400 RED) (A2002ATI4AUSR)
FRONT DRIVE GEARCASE ASSEMBLY

| Ref # | Part Number | Qty | S/P/F | Description |
|-------|-------------|-----|-------|---------------------------------------|
| 1 | 0502-119 | 1 | | Gearcase, Front - Assembly (inc. 2-8) |
| 2 | 0402-450 | 1 | S | Plug, Magnetic (inc. 3) |
| 3 | 0423-153 | 1 | | O-Ring |
| 4 | 0402-333 | 1 | /P | Plug, Fill (inc. 5) |
| 5 | 0423-154 | 1 | | O-Ring |
| 6 | 0502-092 | 1 | | Arm, Selector |
| 7 | 8476-620 | 1 | | Screw |
| 8 | 0402-394 | 2 | S | Seal |
| 9 | 3423-182 | 6 | S | Screw, Cap |
| 10 | 3004-491 | 6 | S/P | Nut |
| 11 | 0502-151 | 1 | | Shaft, Propeller |
| 12 | 0402-147 | 1 | S | Bladder, Gearcase |
| 13 | 0423-315 | 1 | | Clamp, Hose |
| 14 | 3423-010 | 2 | /P | Screw, Cap |
| 15 | 8428-002 | 2 | | Nut, Lock |
| 16 | 3435-007 | 1 | | Coupler, Propeller Shaft |



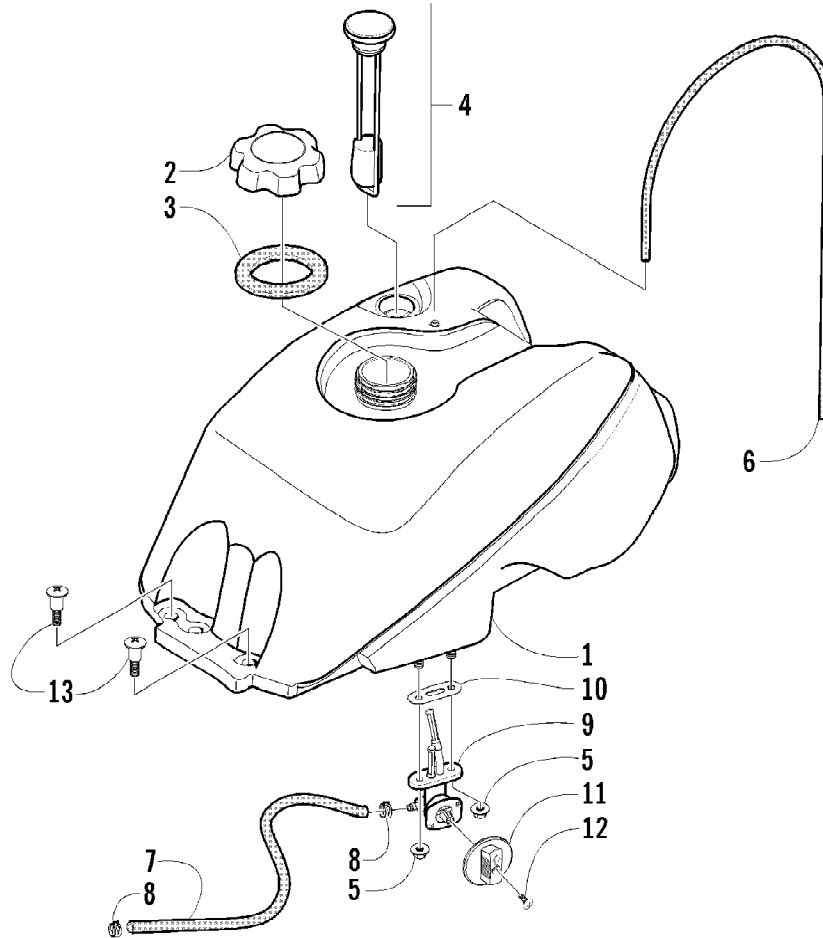
2002 ATV 400 4X4/500 MANUAL TRANSMISSION (400 RED) (A2002ATI4AUSR) Page 38 of 94
FRONT DRIVE SHIFT LINKAGE ASSEMBLY

| Ref # | Part Number | Qty | S/P/F | Description |
|-------|-------------|-----|-------|------------------|
| 1 | 0502-291 | 1 | | Shifter |
| 2 | 0423-091 | 5 | | Bushing, Shifter |
| 3 | 8050-247 | 2 | /P | Washer |
| 4 | 0402-821 | 1 | | Arm, Shifter |
| 5 | 0502-234 | 1 | | Plate, Mounting |
| 6 | 0402-828 | 1 | | Spring, Torsion |
| 7 | 0406-363 | 2 | | Bushing |
| 8 | 0402-256 | 2 | | Collar |
| 9 | 8476-630 | 2 | | Screw, Machine |
| 10 | 8050-222 | 2 | /P | Washer |
| 11 | 0624-250 | 2 | | Nut, Lock |
| 12 | 0124-057 | 2 | /P | E-Ring |
| 13 | 0502-295 | 1 | | Arm, Selector |
| 14 | 0423-368 | 2 | | Washer, Wave |
| 15 | 0402-824 | 1 | S | Cross-Link |
| 16 | 0423-348 | 2 | | Washer |
| 17 | 0423-101 | 2 | | Screw, Body |
| 18 | 0123-053 | 2 | /P | Washer |



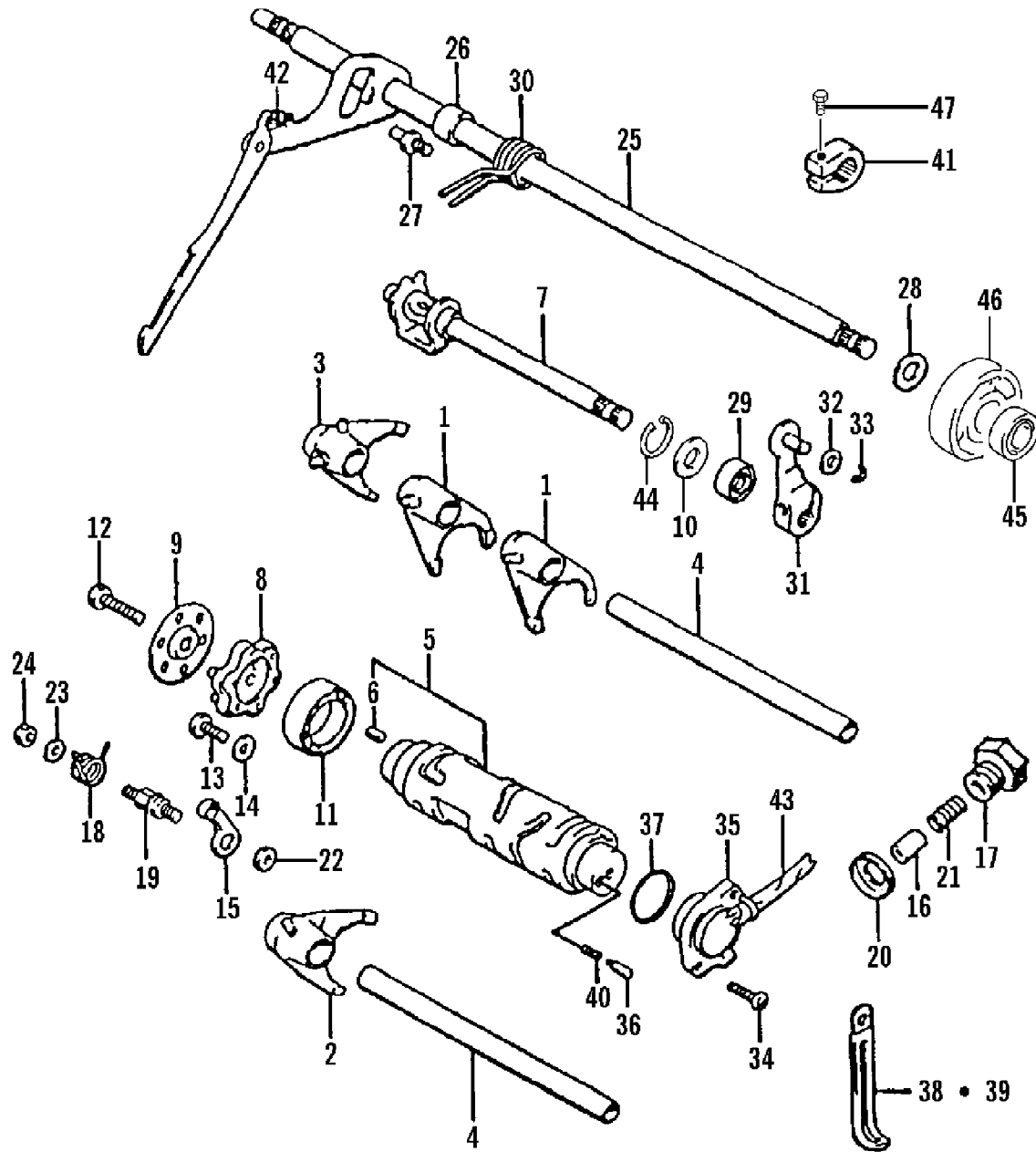
2002 ATV 400 4X4/500 MANUAL TRANSMISSION (400 RED) (A2002ATI4AUSR) Page 40 of 94
FRONT SUSPENSION ASSEMBLY

| Ref # | Part Number | Qty | S/P/F | Description |
|-------|-------------|-----|-------|--|
| 1 | 1603-889 | 2 | /P | Retainer, Spring |
| 2 | 0403-082 | 2 | | Shock Absorber - Front (inc. 3-5) |
| 3 | 0604-310 | 8 | | Bushing, Shock Absorber |
| 4 | 0403-028 | 4 | | Sleeve, Shock |
| 5 | 0403-027 | 2 | | Retainer, Spring - Lower |
| 6 | 8409-040 | 4 | | Screw, Cap |
| 7 | 0403-083 | 2 | | Spring, Shock Absorber |
| 8 | 0403-098 | 2 | S | Collar, Spring |
| 9 | 0403-013 | 2 | | Washer, Spring |
| 10 | 0503-120 | 1 | S | A-Arm, Upper Right - Assembly (inc. 11-12 and 27-28) |
| 10 | 0503-121 | 1 | S | A-Arm, Upper Left - Assembly (inc. 11-12 and 27-28) |
| 11 | 0405-068 | 4 | S | Ball Joint - Front |
| 12 | 0423-009 | 4 | /P | Clip, Ball Joint |
| 13 | 0505-026 | 1 | S/P | Knuckle - Assembly - Right (inc. 14-18) |
| 13 | 0505-027 | 1 | S/P | Knuckle - Assembly - Left (inc. 14-18) |
| 14 | 0505-062 | 1 | S | Knuckle, Steering - Right |
| 14 | 0505-063 | 1 | S | Knuckle, Steering - Left |
| 15 | 0402-275 | 2 | /P | Bearing, Wheel Hub - Front |
| 16 | 0423-034 | 2 | | Clip, Bearing |
| 17 | 0402-089 | 2 | | Seal, Wheel Bearing - Front |
| 18 | 0402-069 | 2 | | Seal, Wheel Bearing - Front |
| 19 | 8409-030 | 4 | | Screw, Cap |
| 20 | 8409-060 | 4 | | Screw, Cap |
| 21 | 0503-118 | 1 | S | A-Arm, Lower Right (inc. 11-12) |
| 21 | 0503-119 | 1 | S | A-Arm, Lower Left (inc. 11-12) |
| 22 | 0402-365 | 2 | S | Axle, Drive - Front (inc. 30) |
| 23 | 0436-276 | 4 | S | Repair Kit, Boot - Front Axle |
| 24 | 8428-002 | 10 | | Nut, Lock |
| 25 | 0423-101 | 4 | | Screw, Body |
| 26 | 0406-944 | 1 | | Guard, Boot - Axle - Right |
| 26 | 0406-927 | 1 | | Guard, Boot - Axle - Left |
| 27 | 0403-080 | 2 | | Collar |
| 28 | 0403-081 | 4 | S | Bushing |
| 29 | 0423-334 | 2 | | Screw, Cap |
| 30 | 0441-400 | 2 | S | Clip, Retaining |



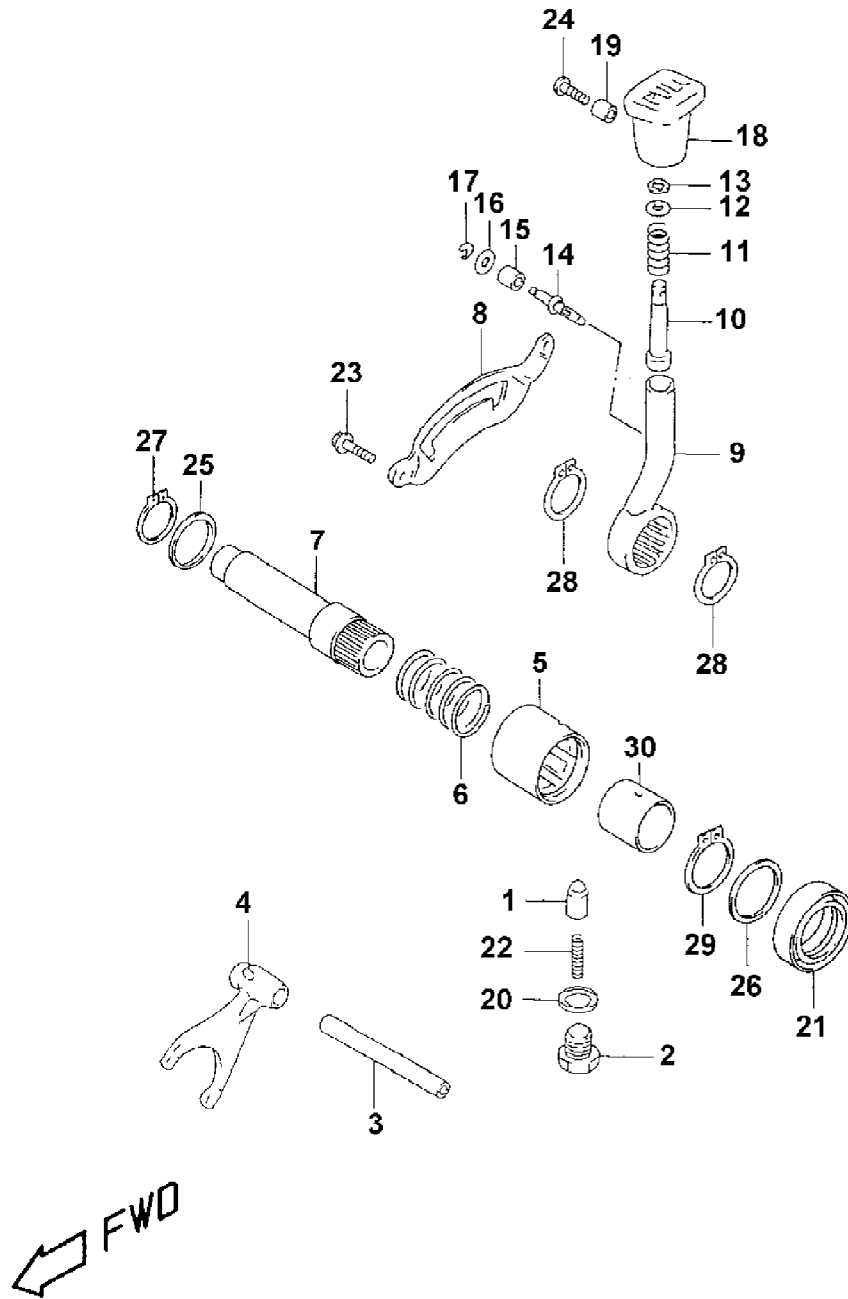
2002 ATV 400 4X4/500 MANUAL TRANSMISSION (400 RED) (A2002ATI4AUSR)
GAS TANK ASSEMBLY

| Ref # | Part Number | Qty | S/P/F | Description |
|-------|-------------|-----|-------|----------------------------------|
| 1 | 0570-066 | 1 | /P | Tank, Gas - Assembly (inc. 2-10) |
| 2 | 0470-438 | 1 | /P | Cap, Gas Tank (inc. 3) |
| 3 | 0109-733 | 1 | /P | 3 Gasket, Tank Cap |
| 4 | 0470-444 | 1 | S | Gauge, Fuel w/Gasket (Press-Fit) |
| 5 | 0423-398 | 2 | | 1 Nut, Lock |
| 6 | 0470-416 | 1 | /P | Hose, Vent |
| 7 | 0610-007 | AR | /P | Hose, Gasline - 25 ft |
| 8 | 0423-152 | 2 | | Clamp, Hose |
| 9 | 0470-445 | 1 | /P | Valve, Fuel Shut-Off (inc. 10) |
| 10 | 0470-364 | 1 | | 3 Gasket, Fuel Shut-Off Valve |
| 11 | 0470-408 | 1 | | Knob, Fuel Shut-Off Valve |
| 12 | 0423-146 | 1 | | Screw, Fuel Shut-Off Valve Knob |
| 13 | 0423-130 | 2 | | Screw, Shoulder |



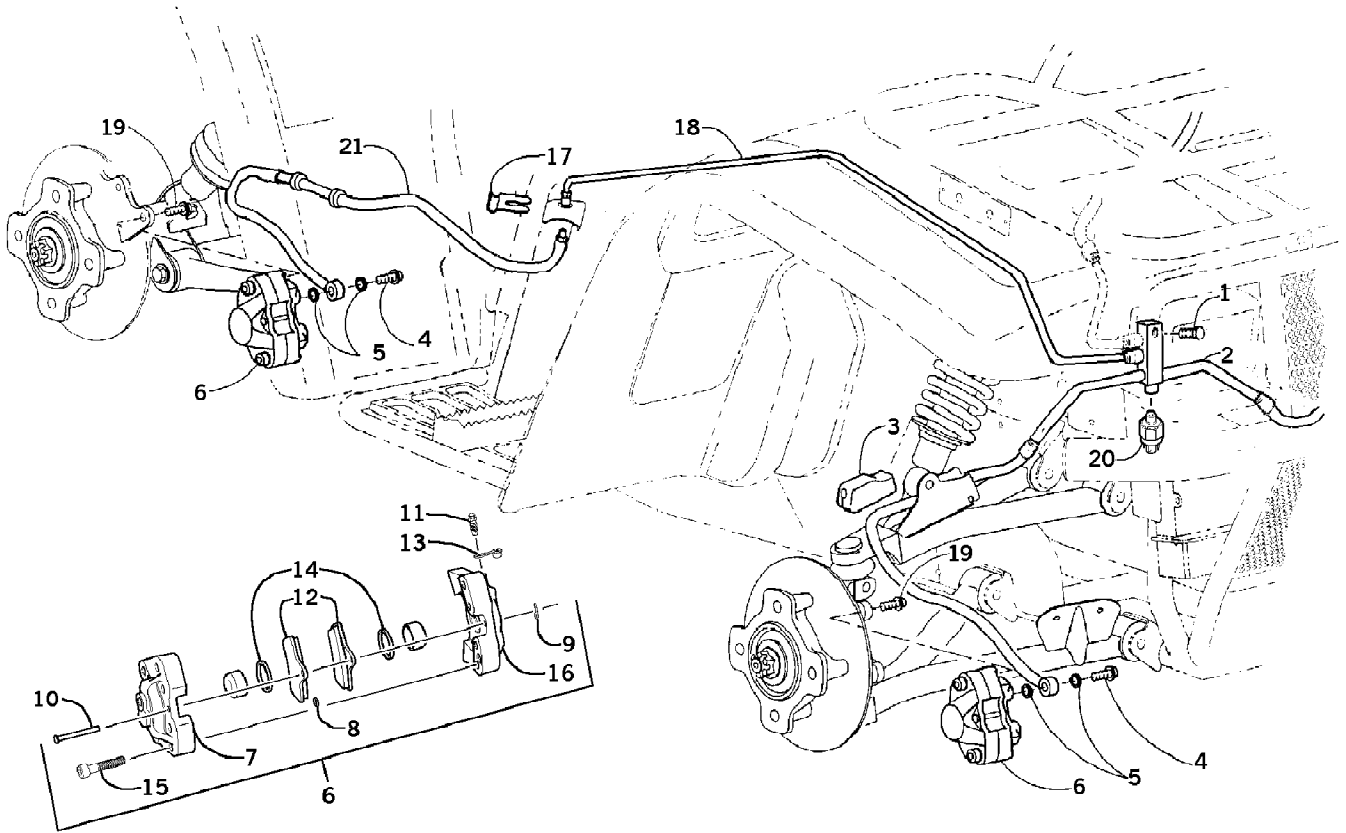
2002 ATV 400 4X4/500 MANUAL TRANSMISSION (400 RED) (A2002ATI4AUSR) Page 44 of 94
GEAR SHIFTING ASSEMBLY

| Ref # | Part Number | Qty | S/P/F | Description |
|-------|-------------|-----|-------|---|
| 1 | 3446-038 | 2 | | Fork (No. 2) |
| 2 | 3446-039 | 1 | | Fork (No. 3) |
| 3 | 3446-040 | 1 | | Fork, Reverse |
| 4 | 3446-052 | 2 | | Shaft, Gear Shift Fork |
| 5 | 3446-041 | 1 | | Cam, Gear Shift (inc. 6) |
| 6 | 3423-114 | 1 | /P | Pin, Gear Shift Cam |
| 7 | 3446-241 | 1 | | Cam, Reverse Shift |
| 8 | 3446-049 | 1 | | Plate, Gear Shift Cam |
| 9 | 3446-050 | 1 | S | Guide, Gear Shift Cam Plate |
| 10 | 3423-357 | 1 | | Washer, Reverse Gear Shift Arm |
| 11 | 3402-051 | 1 | | Bearing, Gear Shift Cam |
| 12 | 3423-125 | 1 | S | Bolt, Clutch Release Arm |
| 13 | 3004-552 | 2 | S | Screw, Cam Bearing Retainer |
| 14 | 3423-135 | 2 | | Retainer, Bearing |
| 15 | 3446-043 | 1 | | Stopper, Gear Shift Cam |
| 16 | 3446-117 | 1 | | Stopper, Reverse Shift Cam |
| 17 | 3446-164 | 1 | | Housing, Reverse Shift Cam Stopper |
| 18 | 3446-047 | 1 | | Spring, Gear Shift Cam Stopper |
| 19 | 3446-048 | 1 | | Support, Gear Shift Cam Stopper |
| 20 | 3402-012 | 1 | | Gasket, Reverse Shift Cam Stopper Housing |
| 21 | 3402-088 | 1 | | Spring, Reverse Shift Cam Stopper |
| 22 | 3423-141 | 1 | | Washer, Gear Shift Cam Stopper |
| 23 | 3423-142 | 1 | | Washer, Cam Stopper |
| 24 | 3004-488 | 1 | S/P | Nut, Cam Stopper Support |
| 25 | 3446-243 | 1 | S | Shaft, Gear Shift (inc. 42) |
| 26 | 3446-054 | 1 | | Spacer, Gear Shift Shaft |
| 27 | 3446-056 | 1 | | Stopper, Gear Shift Arm |
| 28 | 3402-068 | 1 | /P | Seal, Gear Shift Shaft Oil (400) |
| 29 | 3402-076 | 1 | | Seal, Reverse Gear Shift Arm Oil |
| 30 | 3402-094 | 1 | | Spring, Gear Shift Arm Return |
| 31 | 3446-055 | 1 | | Arm, Reverse Gear Shift |
| 32 | 3423-209 | 1 | | Washer, Reverse Gear Shift Arm |
| 32 | 3423-204 | 1 | /P | Washer, Reverse Gear Shift Arm (500) |
| 33 | 3423-168 | 1 | S | E-Ring, Reverse Gear Shift Arm |
| 34 | 3423-166 | 2 | S | Screw, Cap |
| 35 | 3430-051 | 1 | | Base Assembly |
| 36 | 3423-044 | 1 | | Contact, Neutral |
| 37 | 3423-059 | 1 | | O-Ring |
| 38 | 3004-787 | 1 | | Clamp |
| 39 | 3002-964 | 1 | /P | Clamp |
| 40 | 3402-087 | 1 | | Spring |
| 41 | 3402-008 | 1 | /P | Hub, Gear Shift Shaft |
| 42 | 3402-093 | 1 | | Spring, Gear Shift |
| 43 | 0706-990 | AR | /P | Tape, Foil |
| 44 | 3423-358 | 1 | S | Circlip, Reverse Gear Shift Arm |
| 45 | 3402-068 | 1 | /P | Seal, Gear Shift Shaft Oil (500) |
| 46 | 3402-385 | 1 | | Bearing, Gear Shift Shaft (500) |
| 47 | 3423-125 | 1 | S | Bolt |



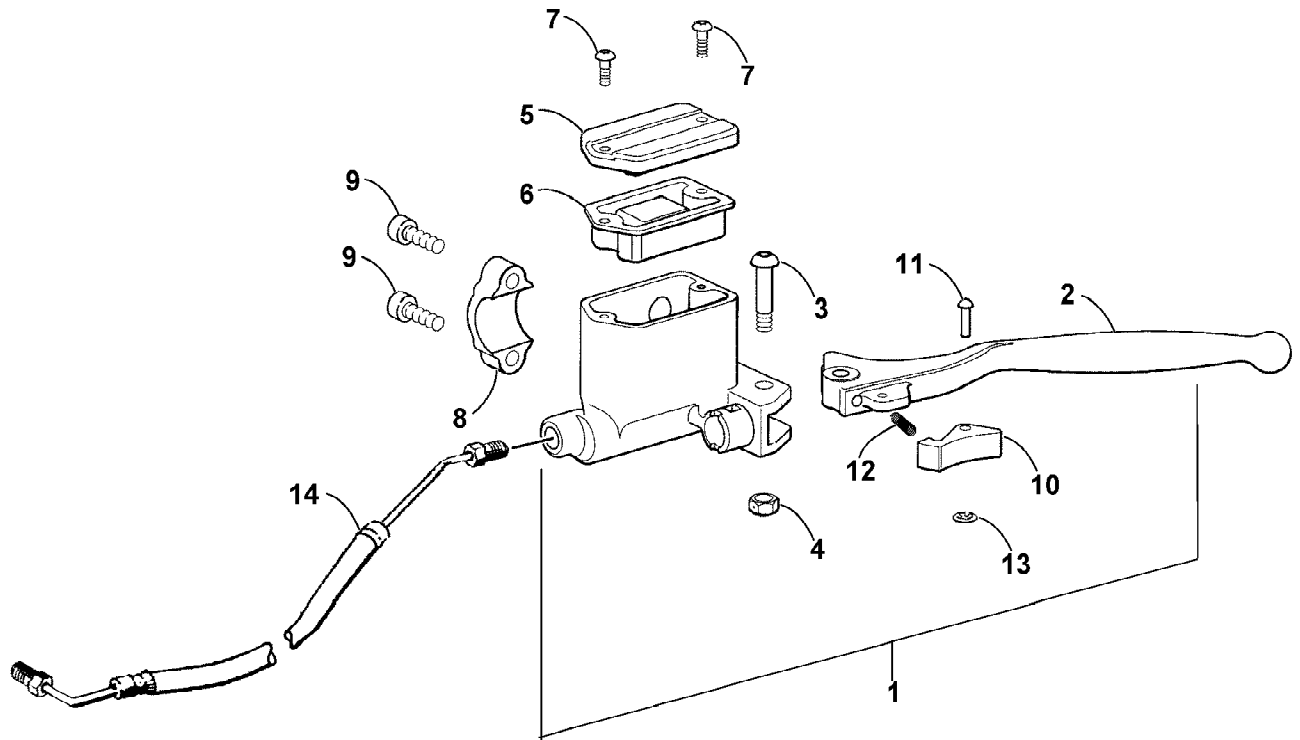
2002 ATV 400 4X4/500 MANUAL TRANSMISSION (400 RED) (A2002ATI4AUSR) Page 46 of 94
 HI/LO SHIFTER ASSEMBLY

| Ref # | Part Number | Qty | S/P/F | Description |
|-------|-------------|-----|-------|--------------------------------------|
| 1 | 3446-242 | 1 | | Stopper, Shift Cam |
| 2 | 3446-046 | 1 | | Housing, Shift Cam Stopper |
| 3 | 3446-051 | 1 | | Shaft, Shift Fork |
| 4 | 3446-073 | 1 | | Fork, Shift |
| 5 | 3446-074 | 1 | | Cam, Shift |
| 5 | 3446-250 | 1 | | Cam, Shift (500) |
| 6 | 3446-104 | 1 | | Spring |
| 7 | 3446-251 | 1 | S | Shaft, Shift |
| 8 | 3446-077 | 1 | | Plate, Lever Stop |
| 9 | 3446-105 | 1 | /P | Lever, Shift - Assembly (inc. 10-17) |
| 10 | 3446-252 | 1 | | Sub-Rod |
| 11 | 3446-107 | 1 | | Spring |
| 12 | 3423-155 | 1 | | Washer |
| 13 | 3423-154 | 1 | | Circlip |
| 14 | 3423-205 | 1 | | Pin |
| 15 | 3446-106 | 1 | | Collar |
| 16 | 3423-152 | 1 | /P | Washer |
| 17 | 3423-153 | 1 | | E-Clip |
| 18 | 3446-078 | 1 | | Handle, Shift |
| 19 | 3402-191 | 1 | | Spacer, Shift Handle |
| 20 | 3402-012 | 1 | | Gasket, Shift Cam Stopper |
| 21 | 3402-071 | 1 | /P | Seal, Oil |
| 22 | 3446-113 | 1 | | Spring |
| 23 | 3004-377 | 2 | S/P | Bolt, Lever Stop Plate |
| 24 | 3423-156 | 1 | S | Screw, Shift Handle |
| 25 | 3402-382 | 1 | | Washer, Shift Cam |
| 26 | 3423-158 | 1 | /P | Washer, Shift Shaft - Left |
| 27 | 3423-191 | 1 | /P | Circlip, Cam Spring |
| 28 | 3423-192 | 2 | /P | Circlip, Shift Lever |
| 29 | 3423-193 | 1 | S/P | Circlip, Shift Shaft - Left |
| 30 | 3446-112 | 1 | /P | Spacer Set |
| 30 | 3446-261 | 1 | | Spacer Set (500) |



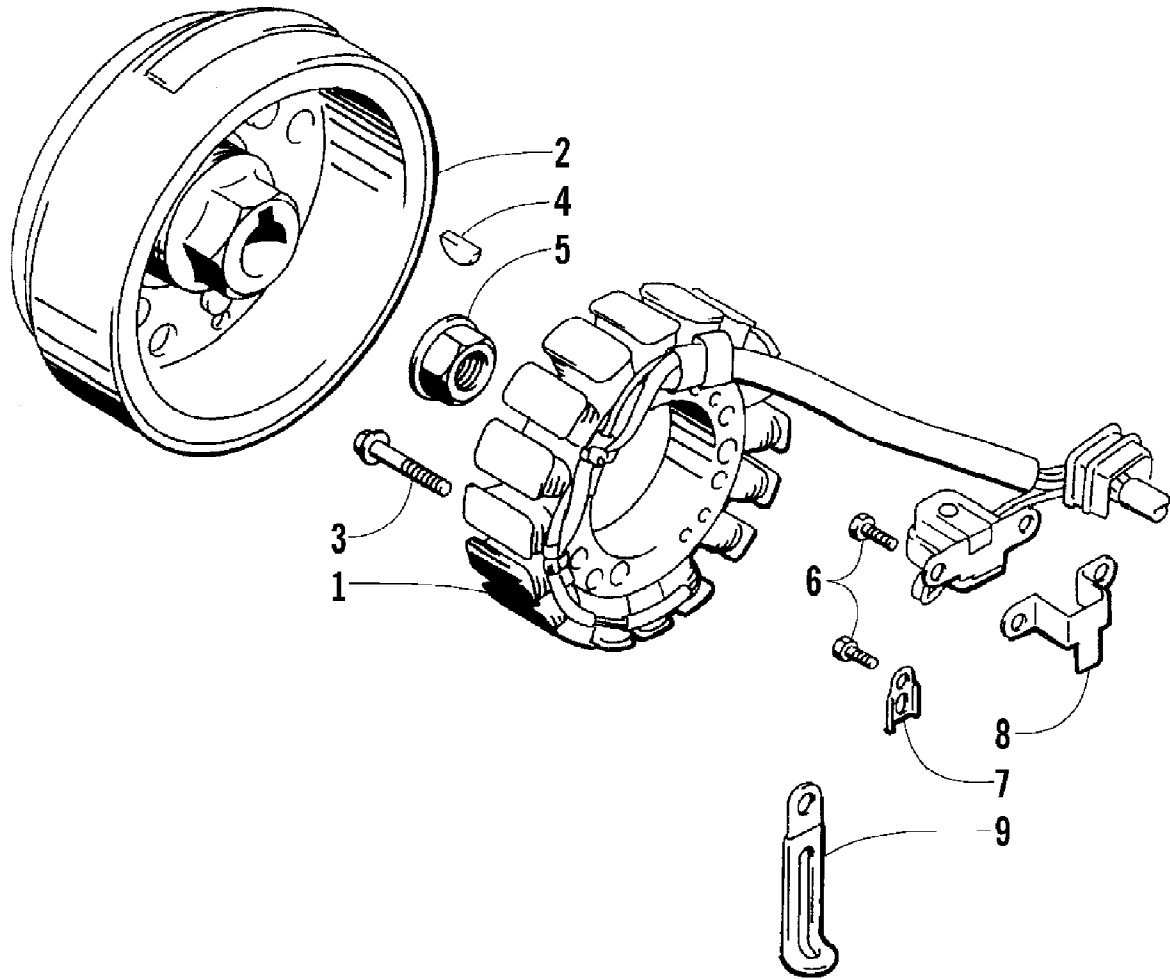
2002 ATV 400 4X4/500 MANUAL TRANSMISSION (400 RED) (A2002ATI4AUSR)
HYDRAULIC BRAKE ASSEMBLY

| Ref # | Part Number | Qty | S/P/F | Description |
|-------|-------------|-----|-------|--|
| 1 | 8476-630 | 1 | | Screw, Cap |
| 2 | 0402-853 | 1 | S | Hose, Brakeline - Front |
| 3 | 0402-073 | 2 | | Block, Mounting |
| 4 | 0423-389 | 3 | /P | Bolt, Banjo Fitting |
| 5 | 0423-039 | 6 | | Washer, Crush |
| 6 | 0502-265 | 1 | | Caliper, Brake - Right Front (inc. 7-16) |
| 6 | 0502-266 | 2 | S | Caliper, Brake - Left Front and Right Rear (inc. 7-16) |
| 7 | 0 | 3 | F | Housing, Caliper |
| 8 | 0402-490 | 3 | | O-Ring |
| 9 | 0402-496 | 3 | S | Pin, Cotter |
| 10 | 0402-495 | 3 | | Pin, Brake Caliper |
| 11 | 0402-493 | 3 | | Cap, Bleed Valve |
| 12 | 0402-882 | 6 | /P | Pad, Brake |
| 13 | 0402-491 | 3 | S | Valve, Bleed |
| 14 | 0402-487 | 6 | | O-Ring, Brake Caliper |
| 15 | 0402-492 | 12 | | Screw, Cap |
| 16 | 0 | 3 | F | Housing, Caliper |
| 17 | 0402-597 | 1 | /P | Clip, Brakeline |
| 18 | 0402-855 | 1 | | Tube, Brake Line - Rear |
| 19 | 8408-825 | 6 | | Screw, Cap |
| 20 | 0402-901 | 1 | S | Switch, Brake Pressure |
| 21 | 0402-832 | 1 | | Hose, Brakeline - Rear |



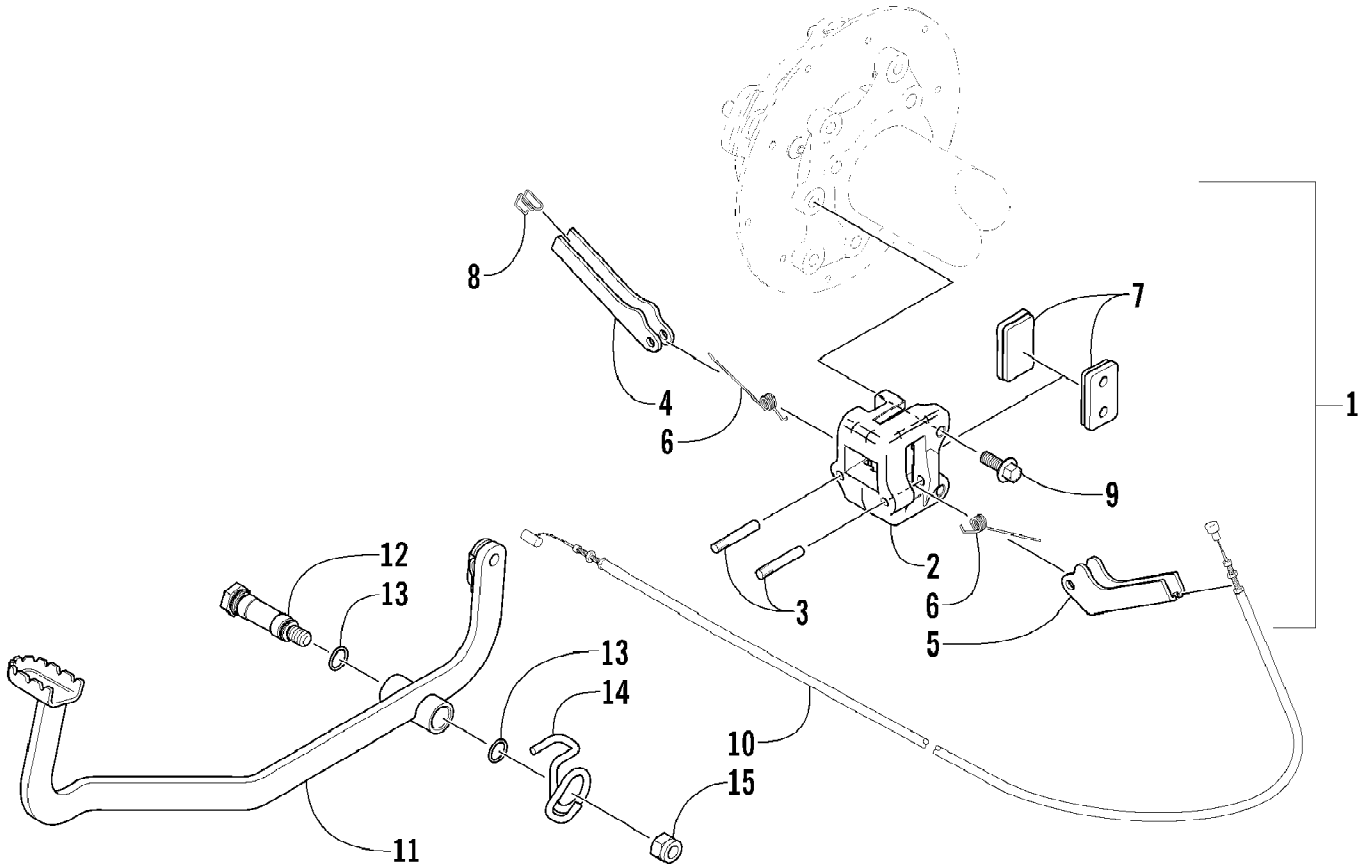
2002 ATV 400 4X4/500 MANUAL TRANSMISSION (400 RED) (A2002ATI4AUSR)
HYDRAULIC HAND BRAKE ASSEMBLY

| Ref # | Part Number | Qty | S/P/F | Description |
|-------|-------------|-----|-------|---|
| 1 | 0502-324 | 1 | S | Cylinder, Master - Assembly (inc. 2-13) |
| 2 | 0402-818 | 1 | /P | Lever, Brake |
| 3 | 0402-940 | 1 | S | Screw |
| 4 | 0402-941 | 1 | /P | Nut, Lock |
| 5 | 0402-544 | 1 | | Cover, Reservoir |
| 6 | 0402-553 | 1 | | Bladder, Reservoir |
| 7 | 0402-938 | 2 | | Screw |
| 8 | 0402-894 | 1 | /P | Clamp, Master Cylinder |
| 9 | 0402-939 | 2 | | Screw |
| 10 | 0402-892 | 1 | S | Lock, Brake Lever |
| 11 | 0402-936 | 1 | /P | Rivet |
| 12 | 0402-559 | 1 | | Spring, Brake - Lever Lock |
| 13 | 0402-937 | 1 | /P | Washer, Lock -Internal Tooth |
| 14 | 0402-854 | 1 | | Hose, Brakeline |



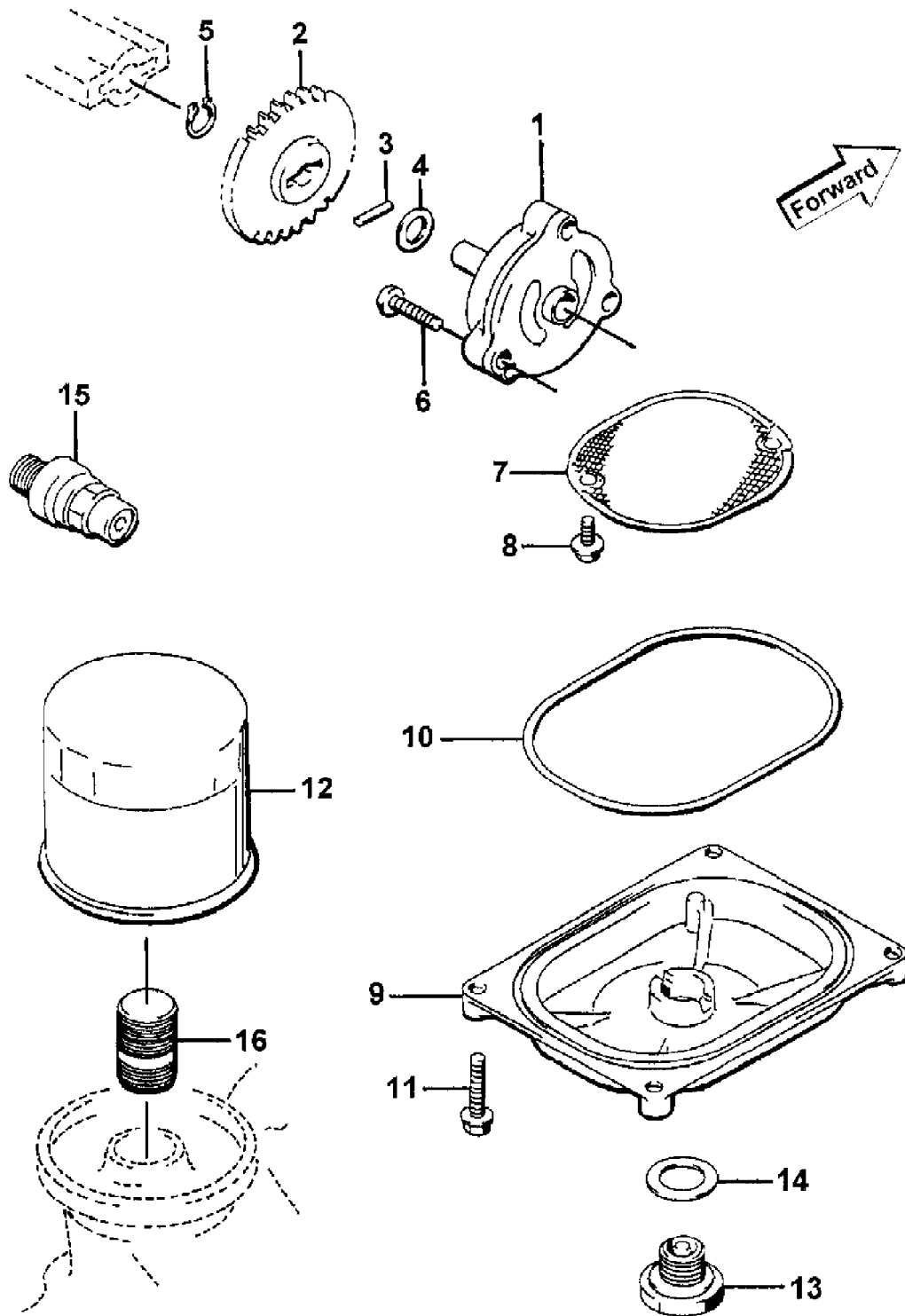
2002 ATV 400 4X4/500 MANUAL TRANSMISSION (400 RED) (A2002ATI4AUSR)
MAGNETO ASSEMBLY

| Ref # | Part Number | Qty | S/P/F | Description |
|-------|-------------|-----|-------|-----------------|
| 1 | 3430-011 | 1 | /P | Stator Assembly |
| 2 | 3430-012 | 1 | | Rotor/Flywheel |
| 3 | 3423-162 | 3 | S | Bolt |
| 4 | 0691-785 | 1 | | Key |
| 5 | 3423-086 | 1 | | Nut |
| 6 | 3423-005 | 3 | /P | Screw, Cap |
| 7 | 3430-005 | 1 | | Clamp |
| 8 | 3430-006 | 1 | | Clamp |
| 9 | 3002-964 | 1 | /P | Clamp, Wire |



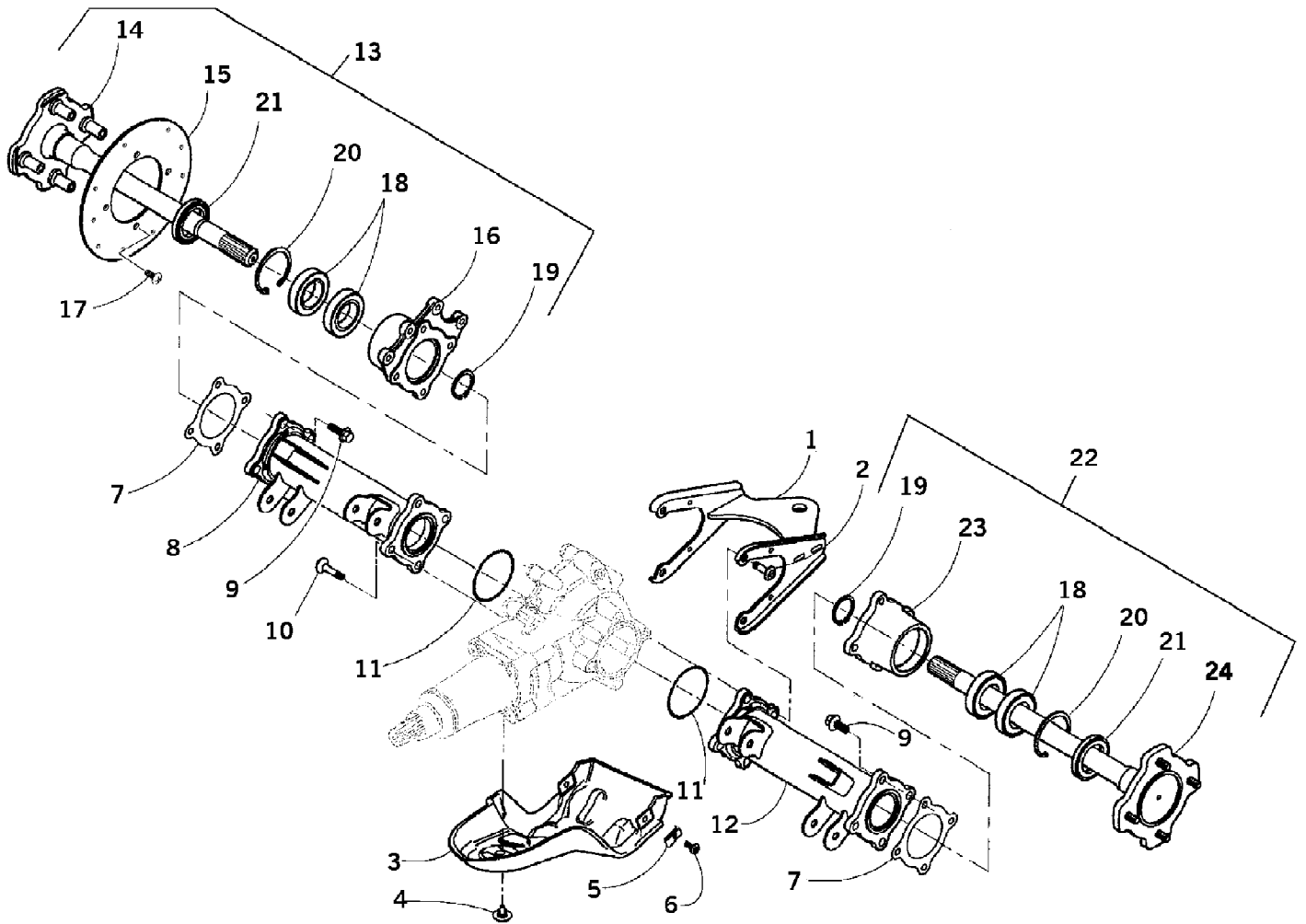
2002 ATV 400 4X4/500 MANUAL TRANSMISSION (400 RED) (A2002ATI4AUSR)
MECHANICAL BRAKE ASSEMBLY

| Ref # | Part Number | Qty | S/P/F | Description |
|-------|-------------|-----|-------|--------------------------------------|
| 1 | 0502-230 | 1 | S | Mechanical Brake Assembly (inc. 2-7) |
| 2 | 0 | 1 | F | Housing, Brake |
| 3 | 0 | 2 | F | Pin, Arm |
| 4 | 0 | 1 | F | Arm, Inner |
| 5 | 0 | 1 | F | Arm, Outer |
| 6 | 0 | 2 | F | Spring, Arm |
| 7 | 0402-958 | 2 | /P | Pad, Brake |
| 8 | 0402-379 | 1 | | Wire Form, Cable |
| 9 | 8408-820 | 2 | /P | Screw, Cap |
| 10 | 0487-006 | 1 | | Cable, Brake - Rear |
| 11 | 0502-252 | 1 | | Lever, Brake |
| 12 | 0402-872 | 1 | | Axle, Brake Lever |
| 13 | 0423-096 | 2 | | O-Ring |
| 14 | 0402-838 | 1 | S | Spring, Brake |
| 15 | 8422-002 | 1 | | Nut |



2002 ATV 400 4X4/500 MANUAL TRANSMISSION (400 RED) (A2002ATI4AUSR)
OIL FILTER/PUMP ASSEMBLY

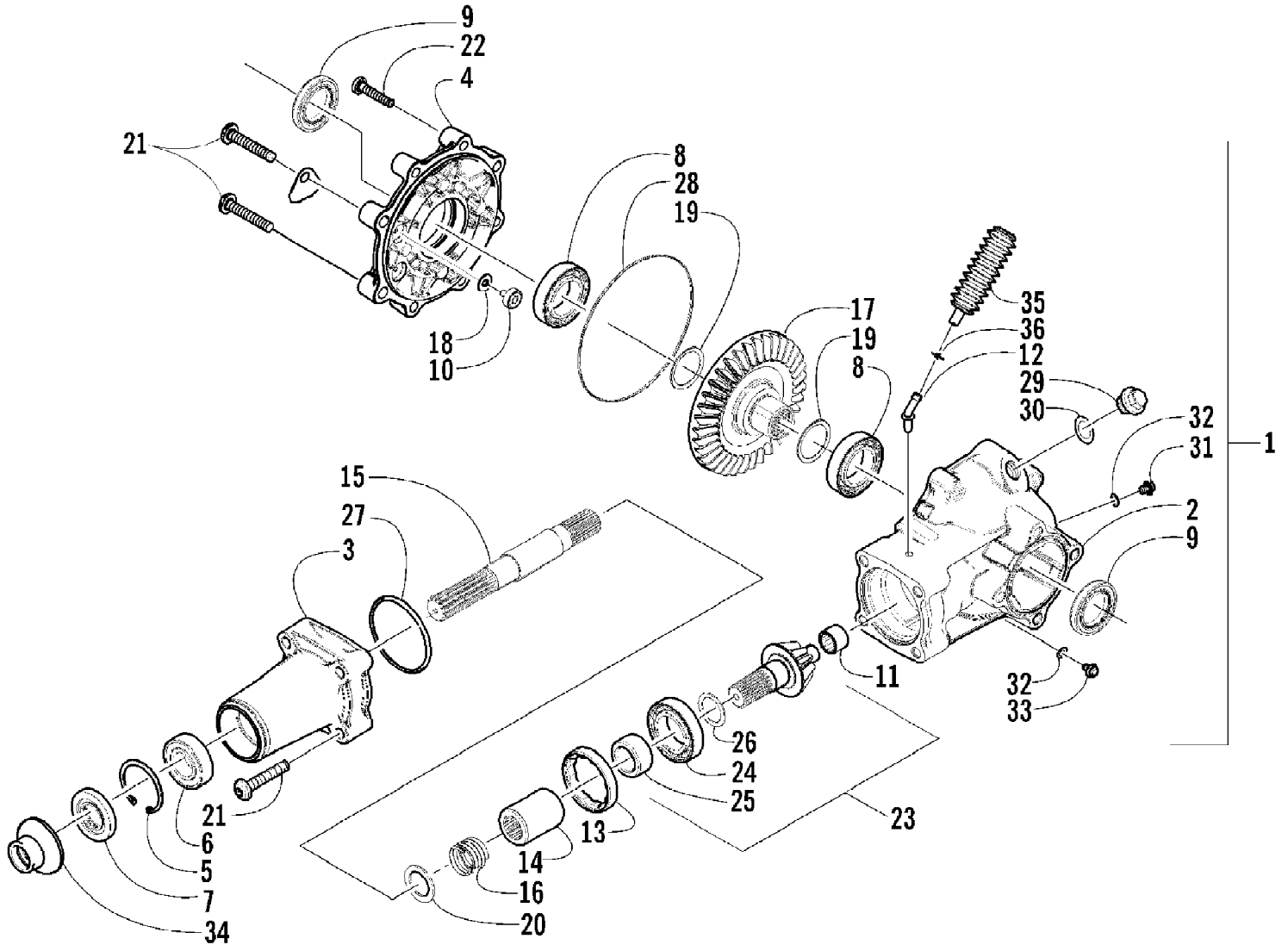
| Ref # | Part Number | Qty | S/P/F | Description |
|-------|-------------|-----|-------|------------------------------------|
| 1 | 3402-153 | 1 | | Pump, Oil |
| 2 | 3402-026 | 1 | | Gear, Driven |
| 3 | 3423-046 | 1 | | Pin |
| 4 | 3423-115 | 1 | | Washer |
| 5 | 3423-184 | 1 | S | Circlip |
| 6 | 3423-113 | 3 | S/P | Screw, Cap |
| 7 | 3402-156 | 1 | | Strainer, Oil |
| 8 | 0693-389 | 2 | S | Screw, Cap |
| 9 | 3402-157 | 1 | | Cap, Oil Strainer |
| 10 | 3423-077 | 1 | | O-Ring |
| 11 | 3004-756 | 4 | S | Screw, Cap |
| 12 | 0436-146 | 1 | S | Filter, Oil |
| 13 | 3402-036 | 1 | S | Plug, Drain |
| 14 | 3402-012 | 1 | | Gasket |
| 15 | 3402-154 | 1 | | Valve, Assembly - Oil Relief |
| 15 | 3402-359 | 1 | | Valve, Assembly - Oil Relief (500) |
| 16 | 3402-158 | 1 | S | Union, Oil Filter |



2002 ATV 400 4X4/500 MANUAL TRANSMISSION (400 RED) (A2002ATI4AUSR)
REAR AXLE ASSEMBLY

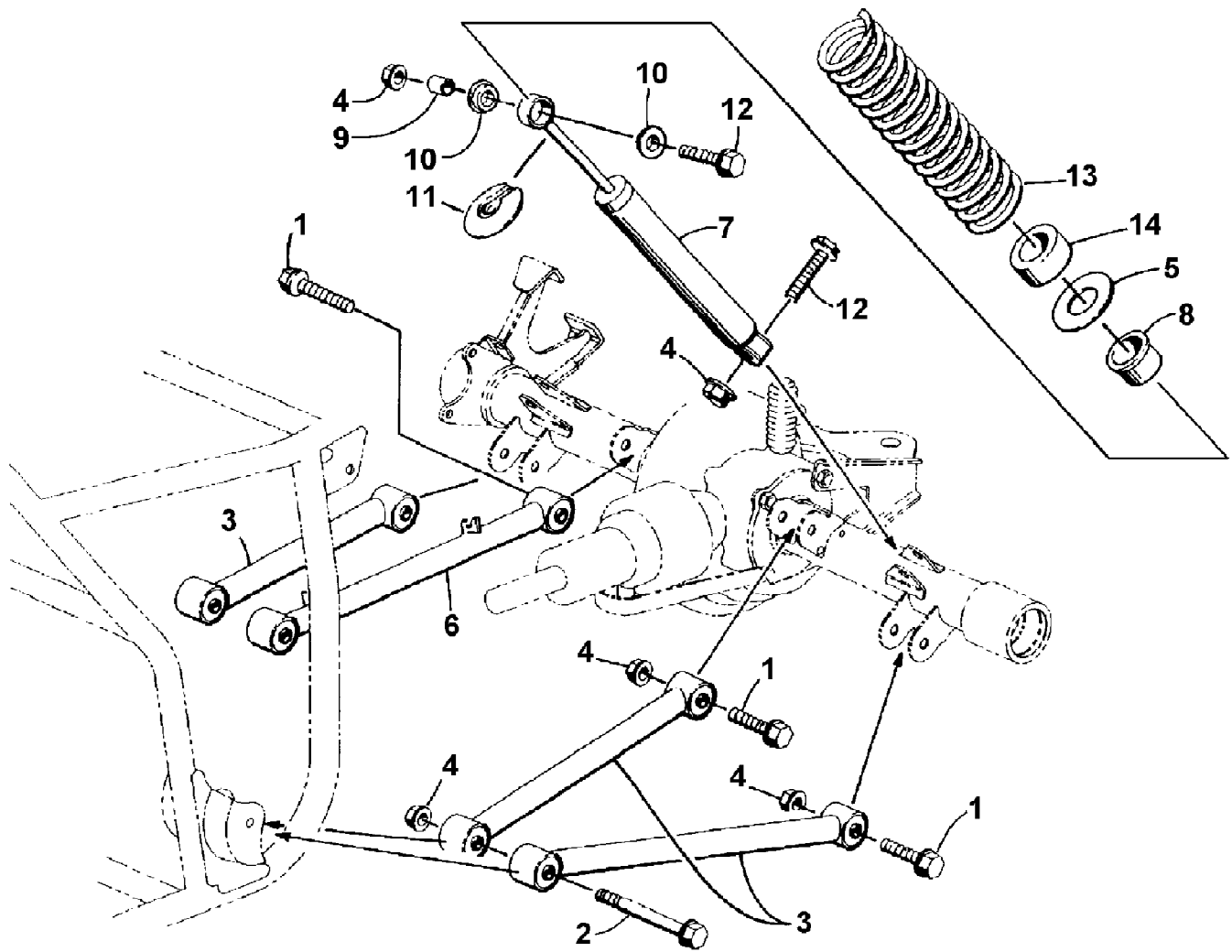
| Ref # | Part Number | Qty | S/P/F | Description |
|-------|-------------|-----|-------|---|
| 1 | 0506-675 | 1 | | Hitch, Trailer |
| 2 | 0423-116 | 4 | | Screw, Self-Tapping |
| 3 | 0406-415 | 1 | | Panel, Gearcase |
| 4 | 0423-101 | 1 | | Screw, Body |
| 5 | 0423-031 | 2 | | Nut, Speed |
| 6 | 8477-616 | 2 | | Screw, Machine |
| 7 | 0402-374 | 2 | | Gasket, Axle Housing |
| 8 | 0502-090 | 1 | | Housing, Axle - Right |
| 9 | 8409-025 | 8 | | Screw, Cap |
| 10 | 0423-117 | 4 | | Screw, Self-Tapping |
| 11 | 0423-119 | 2 | | O-Ring |
| 12 | 0502-091 | 1 | | Housing, Axle - Left |
| 13 | 0502-267 | 1 | /P | Retainer, Axle - Assembly - Right (inc. 14-17, two No. 18, and one No. 19-21) |
| 14 | 0502-272 | 1 | /P | Axle Assembly - Right |
| 15 | 0402-874 | 1 | S | Disc, Brake |
| 16 | 0502-096 | 1 | S | Housing, Bearing - Right |
| 17 | 0423-029 | 4 | | Screw, Shoulder |
| 18 | 0402-339 | 4 | | Bearing |
| 19 | 0402-351 | 2 | | Ring, Retaining |
| 20 | 0402-347 | 2 | | Ring, Retaining |
| 21 | 0402-348 | 2 | | Seal |
| 22 | 0502-274 | 1 | S | Retainer, Axle - Assembly - Left (inc. one No. 19-21 and 23-24) |
| 23 | 0502-097 | 1 | S | Housing, Bearing - Left |
| 24 | 0502-273 | 1 | /P | Axle Assembly - Left |

2002 ATV 400 4X4/500 MANUAL TRANSMISSION (400 RED) (A2002ATI4AUSA) Page 59 of 94
REAR DRIVE GEARCASE ASSEMBLY



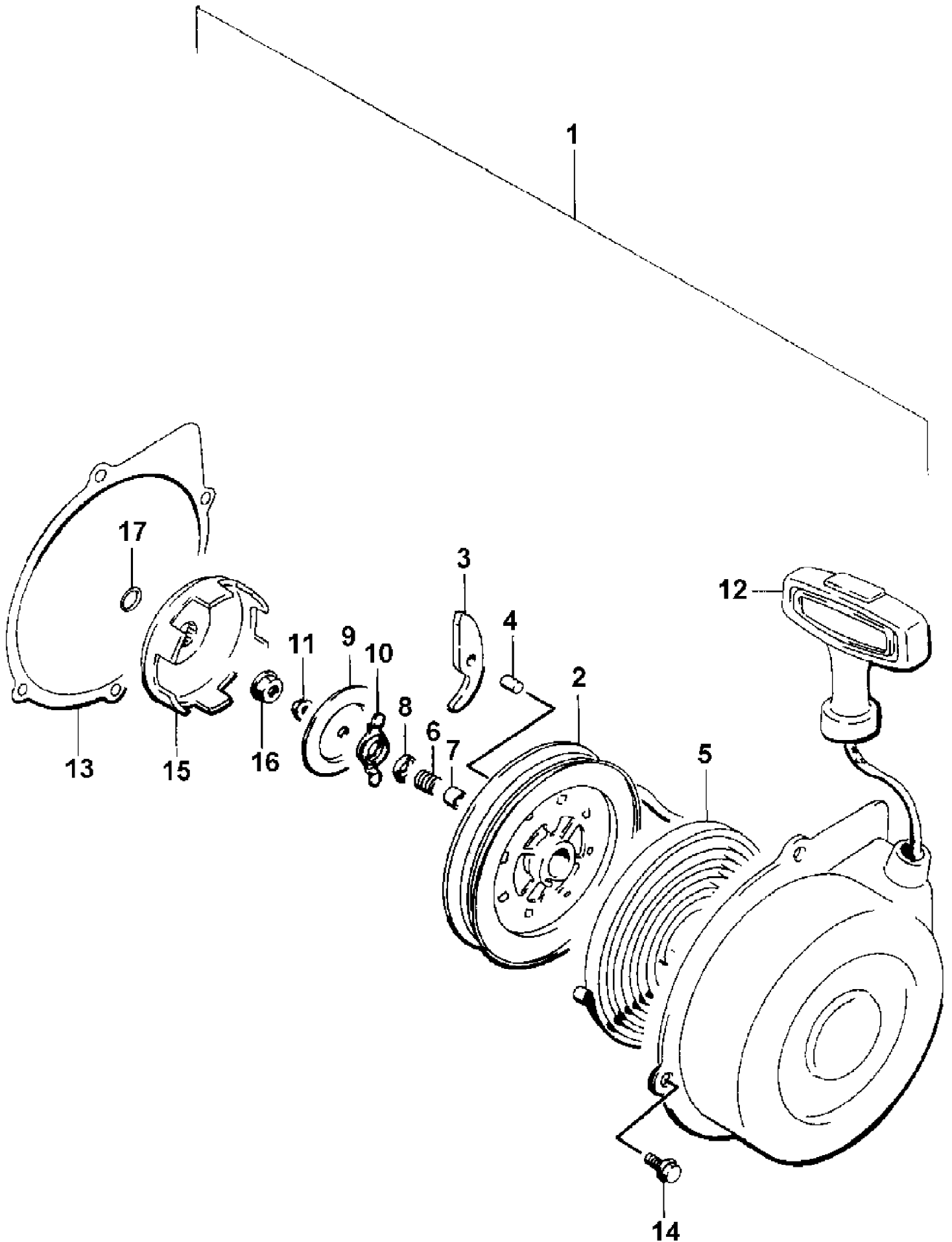
2002 ATV 400 4X4/500 MANUAL TRANSMISSION (400 RED) (A2002ATI4AUSR) Page 60 of 94
REAR DRIVE GEARCASE ASSEMBLY

| Ref # | Part Number | Qty | S/P/F | Description |
|-------|-------------|-----|-------|---|
| | 0502-249 | 1 | | Complete Assembly |
| 1 | 0502-249 | 1 | | Gearcase, Rear Drive - Assembly (inc. 2-33) |
| 2 | 0502-088 | 1 | | Housing, Gearcase |
| 3 | 0502-087 | 1 | | Housing, Pinion |
| 4 | 0502-089 | 1 | | Cover, Gearcase |
| 5 | 0402-321 | 1 | | Ring, Retaining |
| 6 | 0402-322 | 1 | | Bearing |
| 7 | 0402-323 | 1 | | Seal |
| 8 | 0402-324 | 2 | | Bearing |
| 9 | 0402-325 | 2 | | Seal |
| 10 | 0402-326 | 1 | | Button, Thrust |
| 11 | 0402-328 | 1 | | Bearing, Needle |
| 12 | 0402-330 | 1 | | Fitting |
| 13 | 0402-331 | 1 | | Collar, Lock |
| 14 | 0402-335 | 1 | | Collar, Shaft |
| 15 | 0402-902 | 1 | /P | Shaft, Thrust |
| 16 | 0402-338 | 1 | | Spring, Compression |
| 17 | 0402-381 | 1 | | Gear, Ring - 36T |
| 18 | 0402-429 | AR | | Shim |
| 18 | 0402-430 | AR | | Shim |
| 18 | 0402-431 | AR | | Shim |
| 18 | 0402-432 | AR | | Shim |
| 18 | 0402-433 | AR | | Shim |
| 19 | 0402-434 | AR | | Shim |
| 19 | 0402-435 | AR | | Shim |
| 19 | 0402-436 | AR | | Shim |
| 19 | 0402-437 | AR | | Shim |
| 19 | 0402-438 | AR | | Shim |
| 20 | 0423-111 | 1 | | Washer |
| 21 | 0423-115 | 6 | | Screw, Self-Tapping |
| 22 | 0423-118 | 6 | | Screw, Self-Tapping |
| 23 | 0502-123 | 1 | | Gear, 1 OT - Assembly (inc. 24-26) |
| 24 | 0402-327 | 1 | | Bearing |
| 25 | 0402-336 | 1 | | Collar, Retaining |
| 26 | 0402-424 | AR | | Shim |
| 26 | 0402-425 | AR | | Shim |
| 26 | 0402-426 | AR | | Shim |
| 26 | 0402-427 | AR | | Shim |
| 26 | 0402-428 | AR | | Shim |
| 27 | 0423-148 | 1 | | O-Ring |
| 28 | 0423-149 | 1 | | O-Ring |
| 29 | 0402-333 | 1 | /P | Plug, Fill (inc. 30) |
| 30 | 0423-154 | 1 | | O-Ring, Fill Plug |
| 31 | 0402-334 | 1 | | Plug, Drain (inc. one No. 32) |
| 32 | 0423-153 | 2 | | O-Ring, Drain Plug |
| 33 | 0402-450 | 1 | S | Plug, Drain - Magnetic (inc. one No. 32) |
| 34 | 0402-884 | 1 | | Boot, Rear Drive Gearcase |
| 35 | 0402-147 | 1 | S | Bladder, Gearcase |
| 36 | 0423-315 | 1 | | Clamp, Fitting |



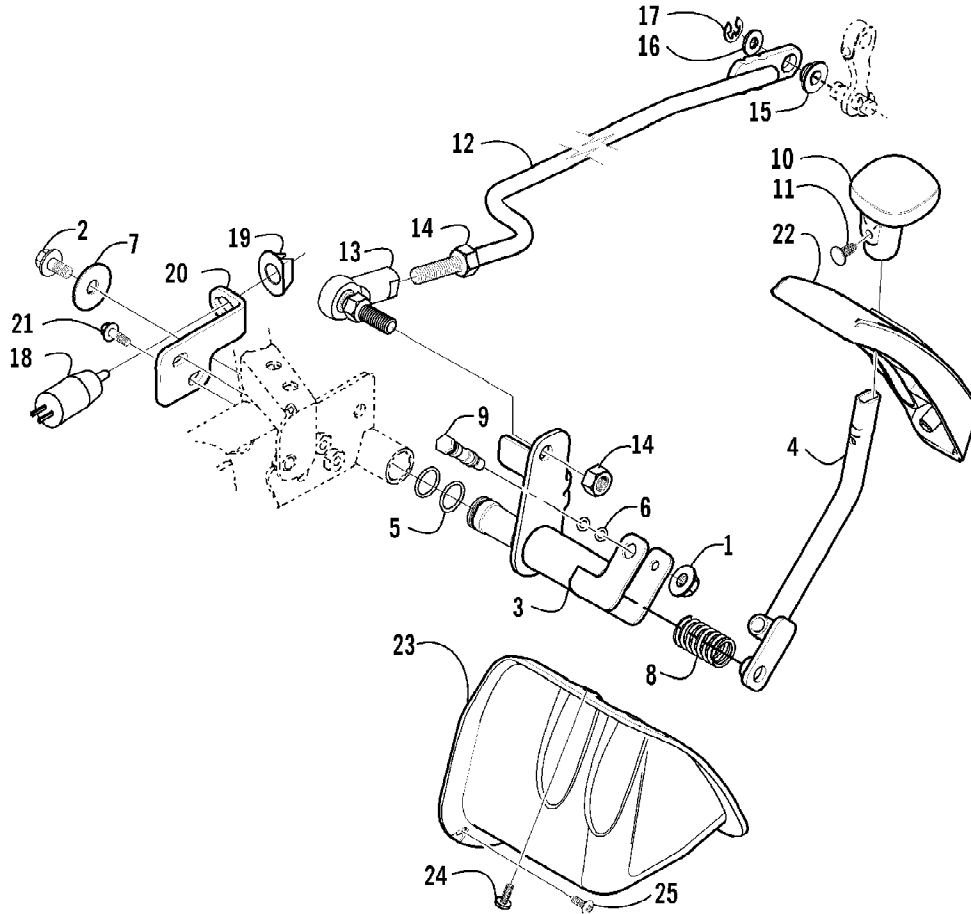
2002 ATV 400 4X4/500 MANUAL TRANSMISSION (400 RED) (A2002ATI4AUSR)
REAR SUSPENSION ASSEMBLY

| Ref # | Part Number | Qty | S/P/F | Description |
|-------|-------------|-----|-------|-----------------------------------|
| 1 | 8409-060 | 4 | | Screw, Cap |
| 2 | 0423-335 | 2 | | Screw, Cap |
| 3 | 0504-218 | 3 | | Arm, Swing |
| 4 | 8428-002 | 10 | | Nut, Lock |
| 5 | 0403-013 | 2 | | Washer, Spring Adjustment |
| 6 | 0504-246 | 1 | | Arm, Swing |
| 7 | 0404-042 | 2 | | Shock Absorber - Rear (inc. 8-10) |
| 8 | 0403-027 | 2 | | Retainer, Spring - Lower |
| 9 | 0403-028 | 4 | | Sleeve, Shock Absorber |
| 10 | 0604-310 | 8 | | Bushing, Shock Absorber |
| 11 | 1603-889 | 2 | /P | Retainer, Spring - Upper |
| 12 | 8409-040 | 4 | | Screw, Cap |
| 13 | 0404-043 | 2 | S | Spring, Shock Absorber |
| 14 | 0403-098 | 2 | S | Collar, Spring |



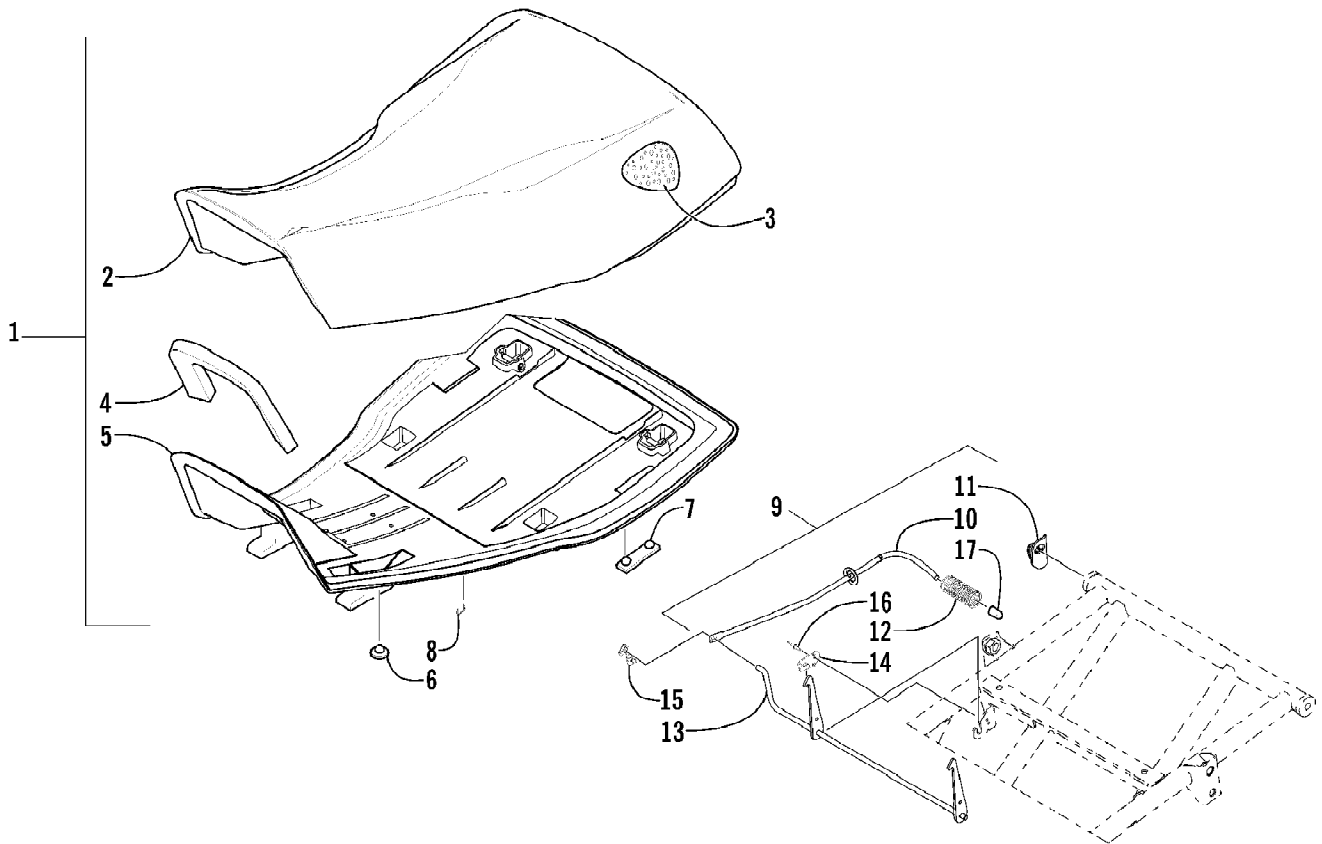
2002 ATV 400 4X4/500 MANUAL TRANSMISSION (400 RED) (A2002ATI4AUSR)
RECOIL STARTER ASSEMBLY

| Ref # | Part Number | Qty | S/P/F | Description |
|-------|-------------|-----|-------|--|
| 1 | 3445-003 | 1 | | Starter, Recoil - Assembly (inc. 2-12) |
| 2 | 3445-004 | 1 | | Reel |
| 3 | 3445-016 | 1 | | Ratchet Assembly (inc. 4 and 6-10) |
| 4 | 0 | 1 | F | Pin, Ratchet |
| 5 | 3445-007 | 1 | | Spring, Spiral |
| 6 | 0 | 1 | F | Spring, Friction |
| 7 | 0 | 1 | F | Shaft |
| 8 | 0 | 1 | F | Cover, Spring |
| 9 | 0 | 1 | F | Plate, Friction |
| 10 | 0 | 1 | F | Guide, Ratchet |
| 11 | 3004-488 | 1 | S/P | Nut |
| 12 | 3445-011 | 1 | | Rope Assembly |
| 13 | 3445-013 | 1 | /P | Gasket |
| 14 | 3423-112 | 4 | S | Screw, Cap |
| 15 | 3445-015 | 1 | | Cup, Starter |
| 15 | 3445-026 | 1 | S | Cup, Starter (500) |
| 16 | 3004-491 | 1 | S/P | Nut |
| 17 | 3423-053 | 1 | /P | O-Ring |



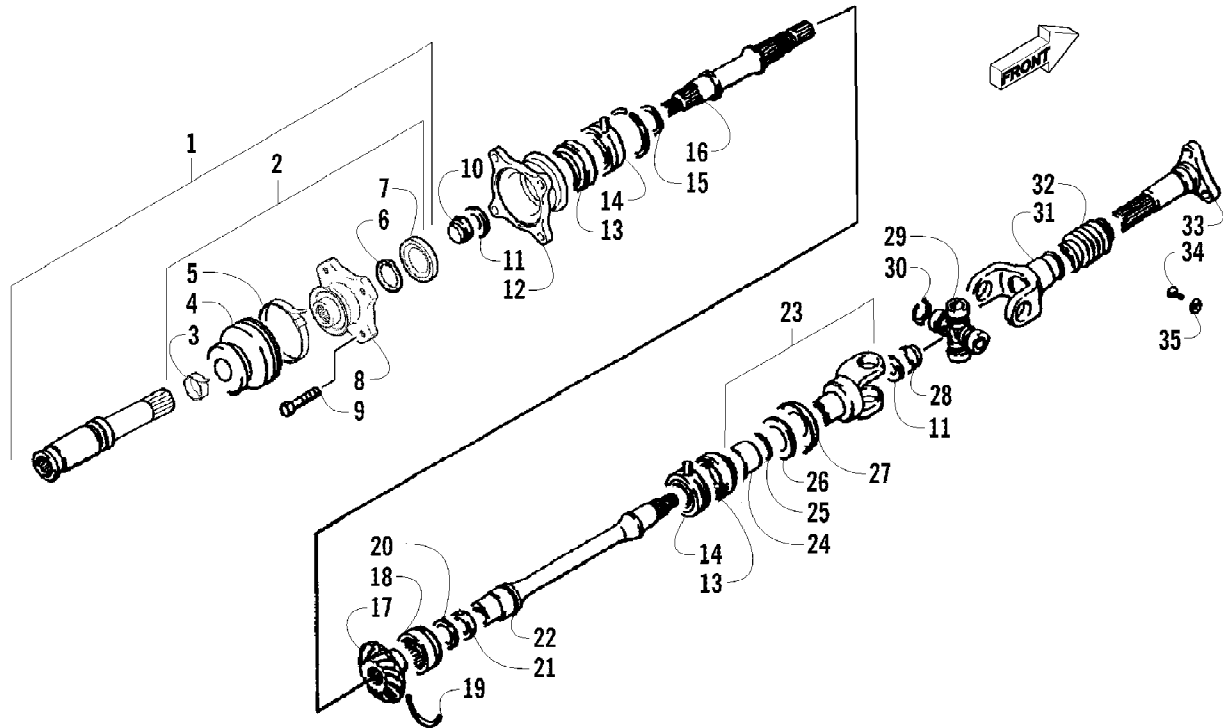
2002 ATV 400 4X4/500 MANUAL TRANSMISSION (400 RED) (A2002ATI4AUSR)
REVERSE SHIFT LEVER ASSEMBLY

| Ref # | Part Number | Qty | S/P/F | Description |
|-------|-------------|-----|-------|---------------------------|
| 1 | 8424-602 | 1 | /P | Nut |
| 2 | 8408-812 | 1 | | Screw, Cap |
| 3 | 0502-237 | 1 | | Axle, Reverse Shift Lever |
| 4 | 0502-185 | 1 | | Lever, Reverse Shift |
| 5 | 0423-299 | 2 | /P | O-Ring |
| 6 | 0423-182 | 2 | /P | O-Ring |
| 7 | 0423-087 | 1 | | Washer |
| 8 | 0402-678 | 1 | /P | Spring, Lever |
| 9 | 0402-675 | 1 | | Axle, Pivot |
| 10 | 0402-843 | 1 | /P | Handle, Lever |
| 11 | 0423-345 | 1 | | Clip, Push |
| 12 | 0502-311 | 1 | S | Linkage, Shifting |
| 13 | 0402-844 | 1 | | End, Rod |
| 14 | 0623-294 | 2 | | Nut |
| 15 | 0423-091 | 1 | | Bushing |
| 16 | 8050-242 | 1 | | Washer |
| 17 | 0423-063 | 1 | | E-Ring |
| 18 | 0409-008 | 1 | | Reverse Switch |
| 19 | 0402-168 | 1 | /P | Retainer, Reverse Switch |
| 20 | 0406-938 | 1 | S | Bracket, Reverse Switch |
| 21 | 8408-616 | 2 | | Screw, Cap |
| 22 | 0402-847 | 1 | | Plate, Shift |
| 23 | 0406-943 | 1 | | Shield, Linkage |
| 24 | 0423-371 | 3 | | Screw, Machine |
| 25 | 0623-309 | 1 | | Screw, Self-Tapping |



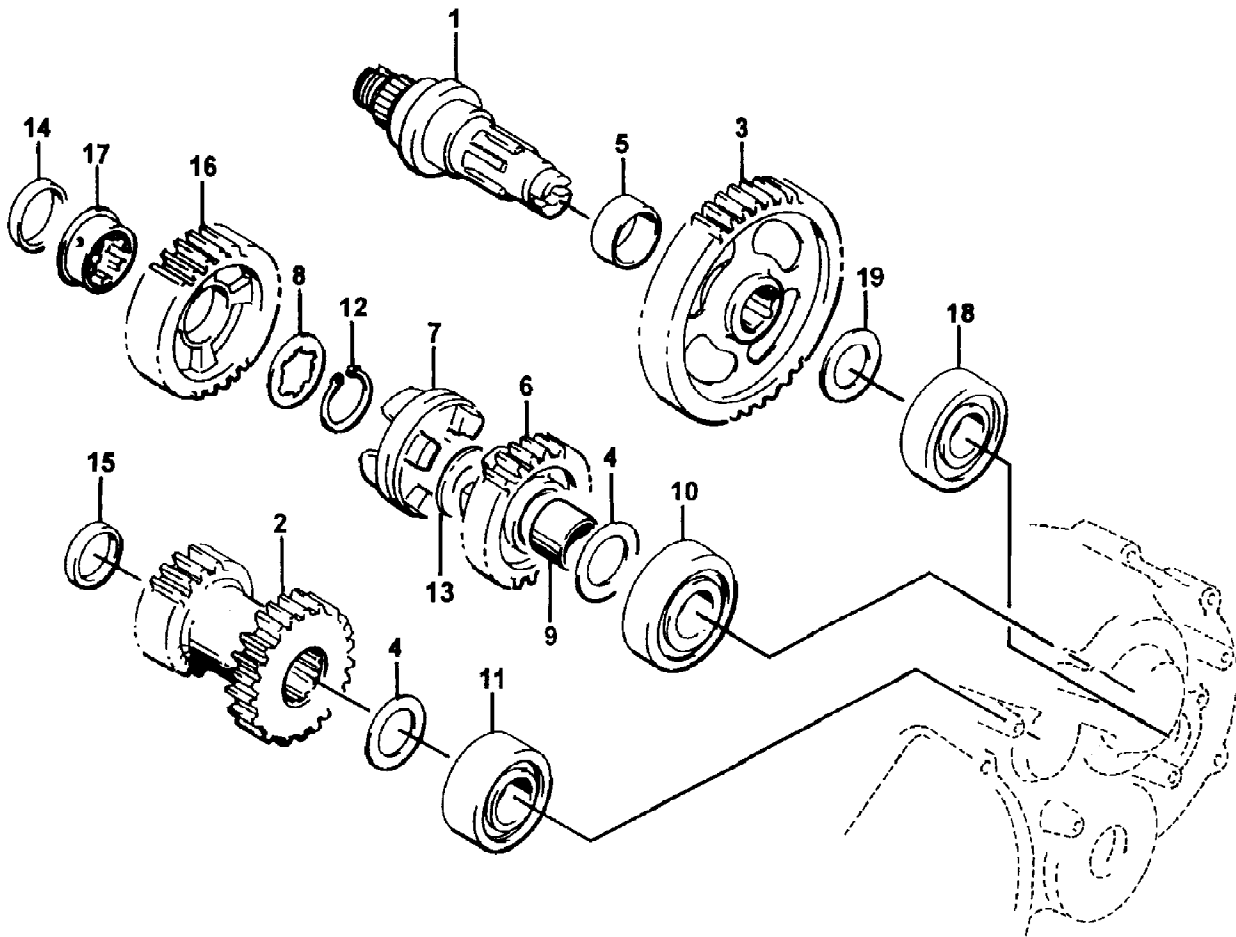
2002 ATV 400 4X4/500 MANUAL TRANSMISSION (400 RED) (A2002ATI4AUSR)
SEAT ASSEMBLY

| Ref # | Part Number | Qty | S/P/F | Description |
|-------|-------------|-----|-------|--|
| 1 | 0506-558 | 1 | | Seat Assembly (inc. 2-8) |
| 2 | 0506-556 | 1 | | Cover, Seat |
| 3 | 0506-555 | 1 | | Foam, Seat |
| 4 | 1406-060 | 1 | | Foam, Sound |
| 5 | 0406-878 | 1 | | Base, Seat Assembly (inc. 6-7) |
| 6 | 0406-877 | 2 | /P | Bumper, Seat - Front |
| 7 | 0406-879 | 2 | | Bumper, Seat - Rear |
| 8 | 0624-100 | AR | | Staple |
| 9 | 0506-702 | 1 | /P | Rod, Seat Release -Assembly (inc. 10-12) |
| 10 | 0506-701 | 1 | S | Rod, Seat Release |
| 11 | 1406-004 | 1 | | Bracket, Seat Release |
| 12 | 1406-005 | 1 | | Spring, Seat Release |
| 13 | 0506-606 | 1 | | Latch, Seat |
| 14 | 0406-923 | 1 | | Plate, Retainer |
| 15 | 0423-358 | 1 | | Clip, Retainer |
| 16 | 8060-284 | 1 | | Rivet |
| 17 | 0623-404 | 1 | | Cap, Protector |



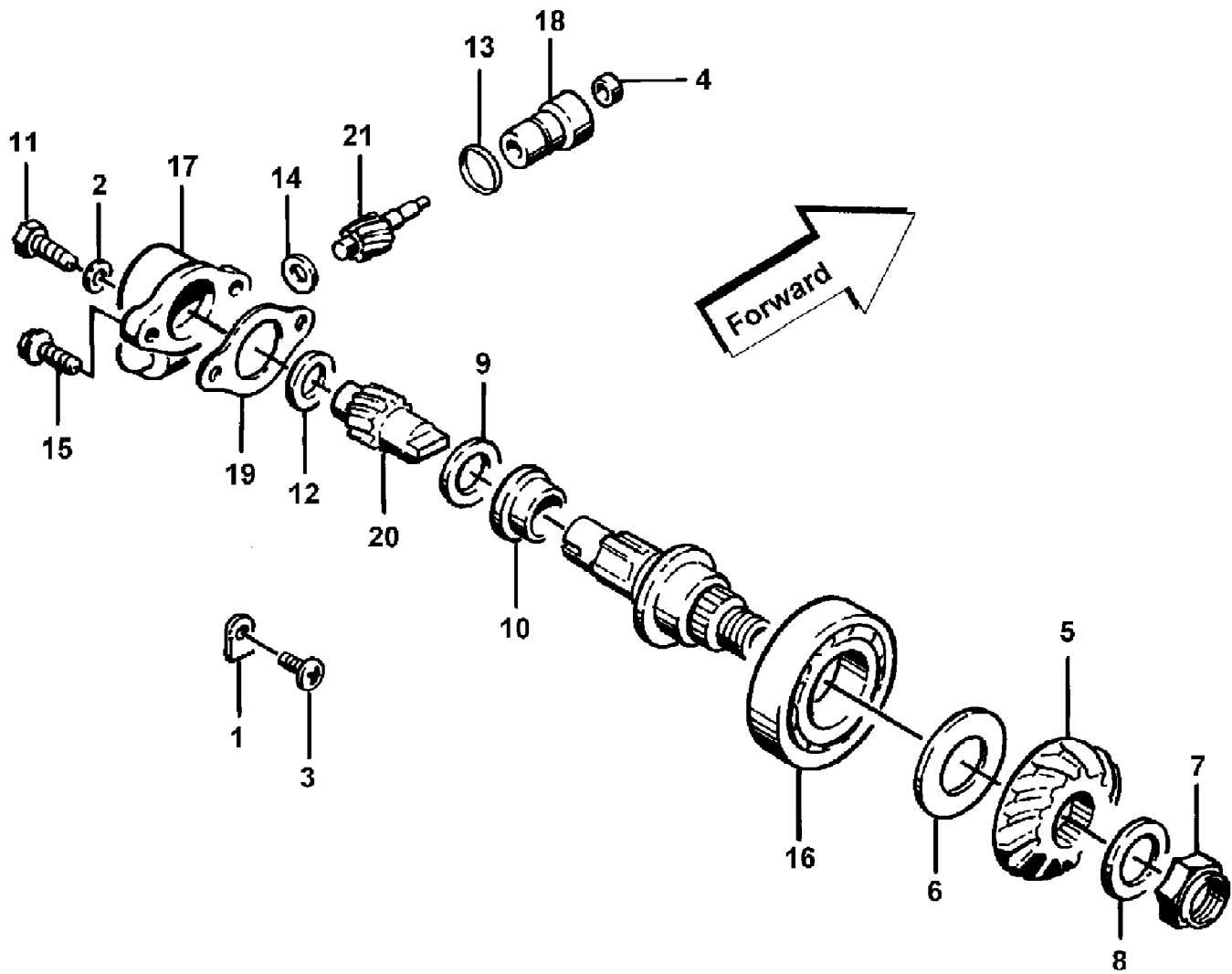
2002 ATV 400 4X4/500 MANUAL TRANSMISSION (400 RED) (A2002ATI4AUSR)
SECONDARY DRIVE ASSEMBLY

| Ref # | Part Number | Qty | S/P/F | Description |
|-------|-------------|-----|-------|--|
| 1 | 3435-010 | 1 | | Joint Assembly, Rear Output (inc. 2-8) |
| 2 | 3435-066 | 1 | | Boot, Joint - Set (inc. 3-7) |
| 3 | 3423-212 | 1 | | Band |
| 4 | 3435-067 | 1 | | Boot |
| 5 | 3423-211 | 1 | | Band |
| 6 | 3423-210 | 1 | | Ring, Snap |
| 7 | 3423-356 | 1 | | Seal, Plate |
| 8 | 0 | 1 | F | Flange, Output |
| 9 | 8408-820 | 4 | /P | Screw, Cap |
| 10 | 3423-025 | 1 | | Nut |
| 11 | 3423-028 | 2 | | Washer |
| 12 | 3435-003 | 1 | S | Flange, Output Joint |
| 13 | 3402-072 | 2 | | Seal, Oil |
| 14 | 3402-067 | 2 | S | Bearing w/ Locating Ring and Pin |
| 15 | 3402-017 | 1 | | Shim - 0.60 mm |
| 15 | 3402-018 | 1 | | Shim - 0.65 mm |
| 15 | 3402-019 | 1 | | Shim - 0.70 mm |
| 15 | 3402-020 | 1 | | Shim - 0.75 mm |
| 15 | 3402-021 | 1 | S | Shim - 0.80 mm |
| 15 | 3402-022 | 1 | | Shim - 0.85 mm |
| 15 | 3402-023 | 1 | | Shim - 0.90 mm |
| 15 | 3402-024 | 1 | | Shim - 0.95 mm |
| 15 | 3402-025 | 1 | S | Shim - 1.00 mm |
| 15 | 3402-028 | 1 | | Shim - 1.05 mm |
| 15 | 3402-029 | 1 | | Shim - 1.10 mm |
| 15 | 3402-030 | 1 | | Shim - 1.15 mm |
| 15 | 3402-031 | 1 | | Shim - 1.20 mm |
| 16 | 3446-240 | 1 | S | Shaft - Rear |
| 17 | 3446-222 | 1 | /P | Gear |
| 18 | 3402-062 | 1 | S | Bearing w/Groove |
| 19 | 3423-072 | 1 | | Ring, Bearing |
| 20 | 3423-137 | 1 | | Washer |
| 21 | 3423-136 | 1 | | Nut |
| 22 | 3446-239 | 1 | | Shaft - Front |
| 23 | 3435-001 | 1 | S | Yoke, Drive Output (inc. 24-27) |
| 24 | 3435-029 | 1 | | Collar, Yoke |
| 25 | 3423-060 | 1 | | O-Ring |
| 26 | 3435-030 | 1 | | Plate, Yoke Collar |
| 27 | 3423-035 | 1 | | Plate, Yoke Collar |
| 28 | 3423-025 | 1 | | Nut |
| 29 | 3435-011 | 1 | | Joint Set, Universal (inc. 30) |
| 30 | 3423-067 | 4 | | Circlip |
| 31 | 3435-002 | 1 | | Yoke, Joint |
| 32 | 3402-518 | 1 | S | Boot, Propeller Shaft |
| 33 | 0502-151 | 1 | | Shaft, Propeller |
| 34 | 3004-552 | 1 | S | Screw, Cap |
| 35 | 3423-135 | 2 | | Retainer |



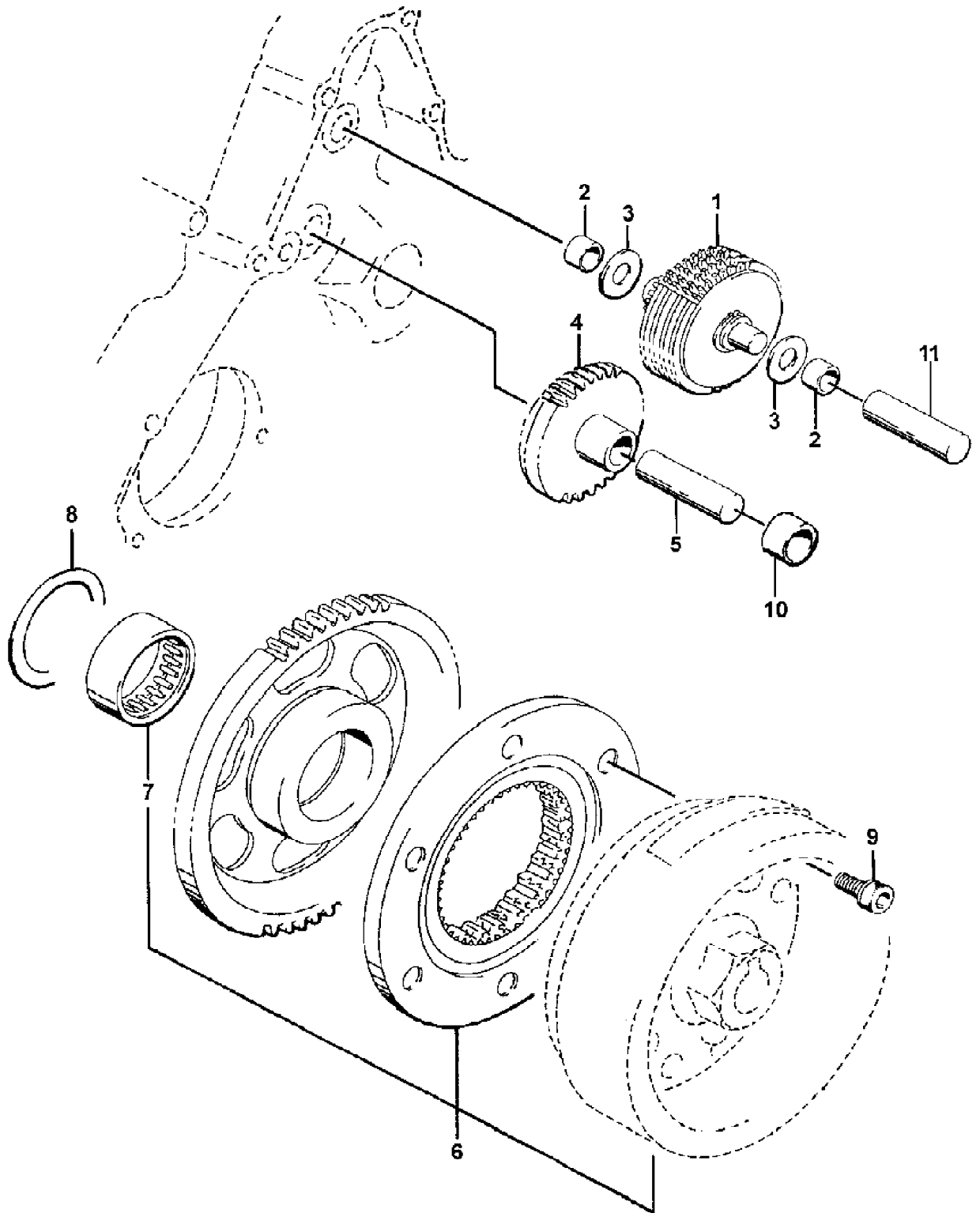
2002 ATV 400 4X4/500 MANUAL TRANSMISSION (400 RED) (A2002ATI4AUSR)
SECONDARY TRANSMISSION ASSEMBLY

| Ref # | Part Number | Qty | S/P/F | Description |
|-------|-------------|-----|-------|-------------------------------|
| 1 | 3446-262 | 1 | /P | Shaft, Output |
| 2 | 3446-066 | 1 | | Gear, Idle |
| 3 | 3446-072 | 1 | | Gear, Driven |
| 4 | 3423-150 | 2 | /P | Washer |
| 4 | 3402-381 | 2 | /P | Washer (500) |
| 5 | 3402-015 | 1 | | Spacer |
| 6 | 3446-070 | 1 | | Gear No. 2 - Driveshaft |
| 6 | 3446-248 | 1 | | Gear No. 2 - Driveshaft (500) |
| 7 | 3446-108 | 1 | | Dog, Select Sliding |
| 7 | 3446-249 | 1 | | Dog, Select Sliding (500) |
| 8 | 3423-036 | 1 | | Washer |
| 9 | 3446-103 | 1 | | Bushing |
| 10 | 3402-046 | 1 | | Bearing, Driveshaft - Left |
| 11 | 3402-047 | 1 | S | Bearing, Countershaft - Left |
| 12 | 3423-066 | 1 | /P | Circlip No. 1 |
| 13 | 3423-126 | 1 | /P | Washer, Gear No. 2 |
| 13 | 3402-195 | 1 | | Washer, Gear No. 2 (500) |
| 14 | 3446-068 | 1 | | Spacer |
| 14 | 3446-246 | 1 | | Spacer (500) |
| 15 | 3423-148 | 1 | | Spacer, Idle Gear |
| 16 | 3446-067 | 1 | | Gear No. 1 - Driveshaft |
| 16 | 3446-245 | 1 | | Gear No. 1 - Driveshaft (500) |
| 17 | 3446-069 | 1 | S | Bushing |
| 17 | 3446-247 | 1 | | Bushing (500) |
| 18 | 3402-045 | 1 | /P | Bearing Set - Left |
| 19 | 3423-150 | 1 | /P | Washer |



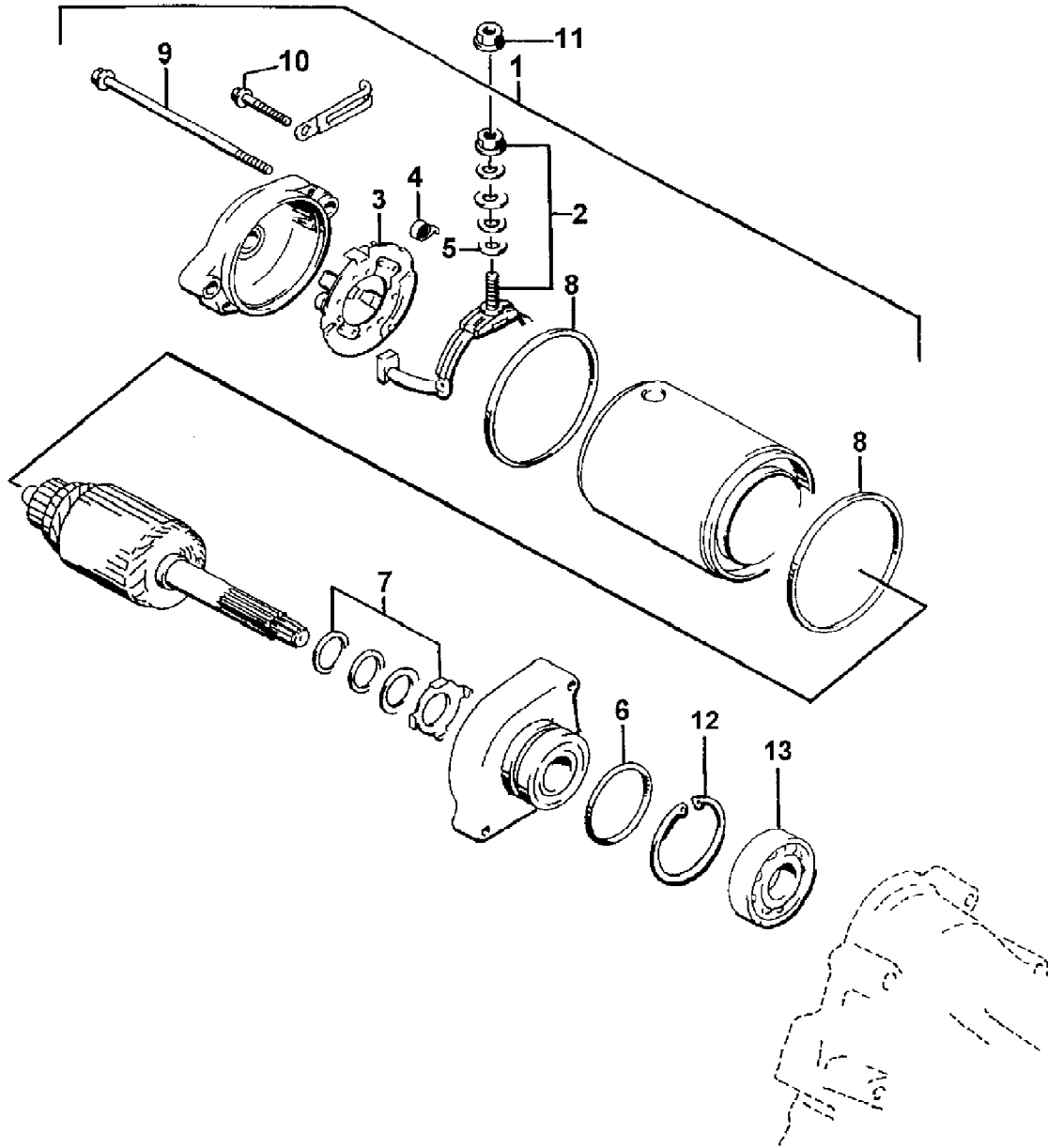
2002 ATV 400 4X4/500 MANUAL TRANSMISSION (400 RED) (A2002ATI4AUSR)
SPEEDOMETER DRIVE ASSEMBLY

| Ref # | Part Number | Qty | S/P/F | Description |
|-------|-------------|-----|-------|---------------------------|
| 1 | 3446-031 | 2 | /P | Retainer, Bearing |
| 2 | 3402-009 | 1 | /P | Washer, Drive |
| 3 | 3004-552 | 2 | S | Screw, Retainer |
| 4 | 3402-077 | 1 | | Seal, Driven Gear |
| 5 | 3446-221 | 1 | S | Gear |
| 6 | 3446-035 | 1 | | Shim Set |
| 7 | 3423-023 | 1 | | Nut |
| 8 | 3423-032 | 1 | | Washer |
| 9 | 3423-146 | 1 | | Washer - Right |
| 10 | 3446-114 | 1 | /P | Spacer, Drive Gear |
| 11 | 3423-143 | 1 | S | Bolt, Gear |
| 12 | 3423-145 | 1 | | Washer |
| 13 | 3423-056 | 1 | | O-Ring |
| 14 | 3423-144 | 1 | | Washer |
| 15 | 3423-346 | 2 | S | Bolt, Housing |
| 16 | 3402-180 | 1 | S | Bearing Set - Right |
| 17 | 3446-057 | 1 | | Housing, Speedometer Gear |
| 18 | 3446-058 | 1 | | Sleeve |
| 19 | 3446-244 | 1 | /P | Gasket |
| 20 | 3446-060 | 1 | | Gear, Drive |
| 21 | 3446-061 | 1 | | Gear, Driven |



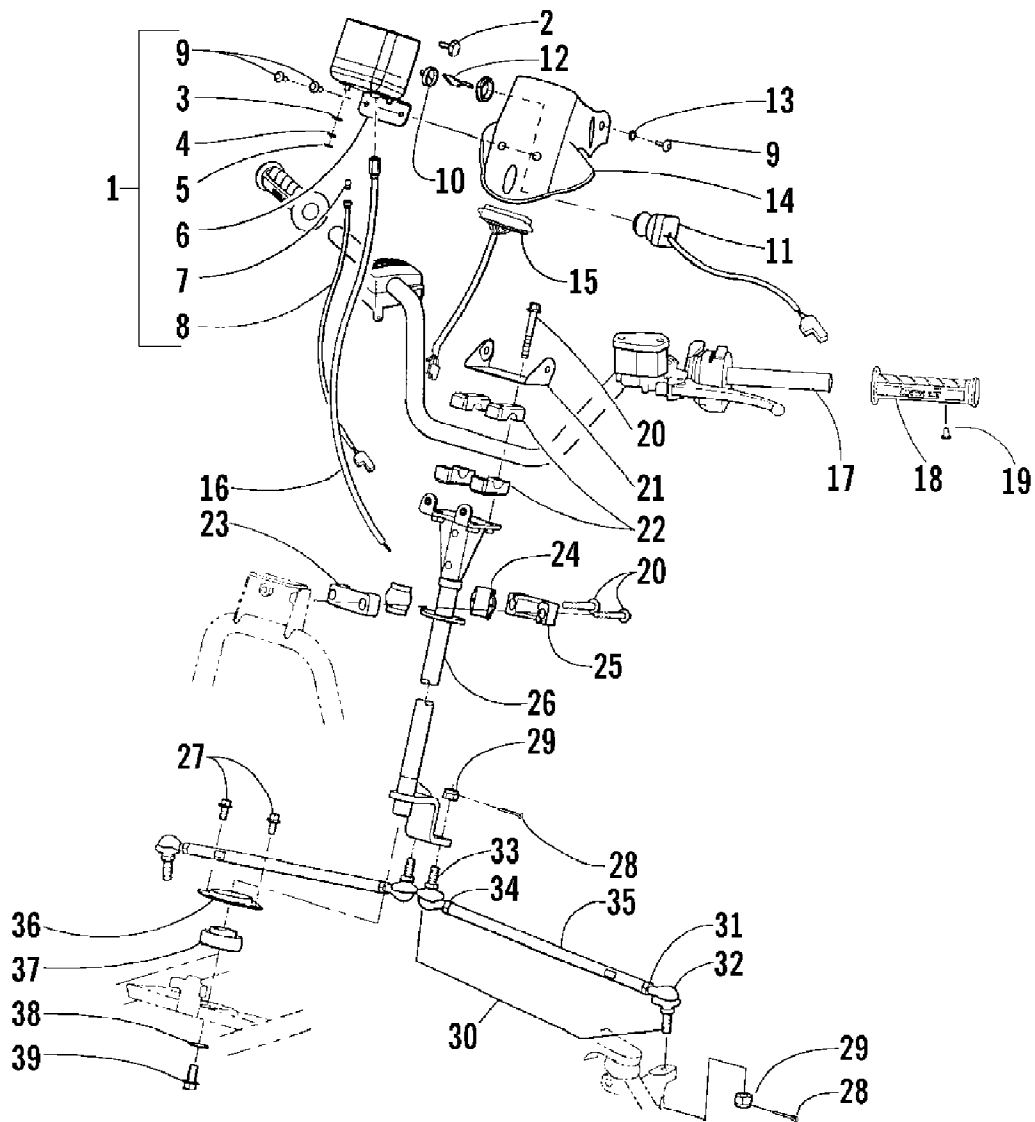
2002 ATV 400 4X4/500 MANUAL TRANSMISSION (400 RED) (A2002ATI4AUSR)
STARTER CLUTCH ASSEMBLY

| Ref # | Part Number | Qty | S/P/F | Description |
|-------|-------------|-----|-------|-----------------------------------|
| 1 | 3402-344 | 1 | S | Gear, Starter Idler - No. 1 (400) |
| 1 | 3402-123 | 1 | | Gear, Starter Idler - No. 1 (500) |
| 2 | 3402-125 | 2 | | Bushing (500) |
| 3 | 3423-103 | 2 | /P | Washer (500) |
| 4 | 3402-124 | 1 | | Gear, Starter Idler- No. 2 (400) |
| 4 | 3402-349 | 1 | | Gear, Starter Idler- No. 2 (500) |
| 5 | 3423-042 | 1 | | Pin |
| 6 | 3402-380 | 1 | /P | Clutch, Starter- Set (inc. 7) |
| 7 | 3402-063 | 1 | | Bearing |
| 8 | 3423-104 | 1 | | Washer |
| 9 | 3423-102 | 6 | S | Screw, Cap |
| 10 | 3423-352 | 1 | | Spacer (500) |
| 11 | 3423-331 | 1 | | Pin (400) |



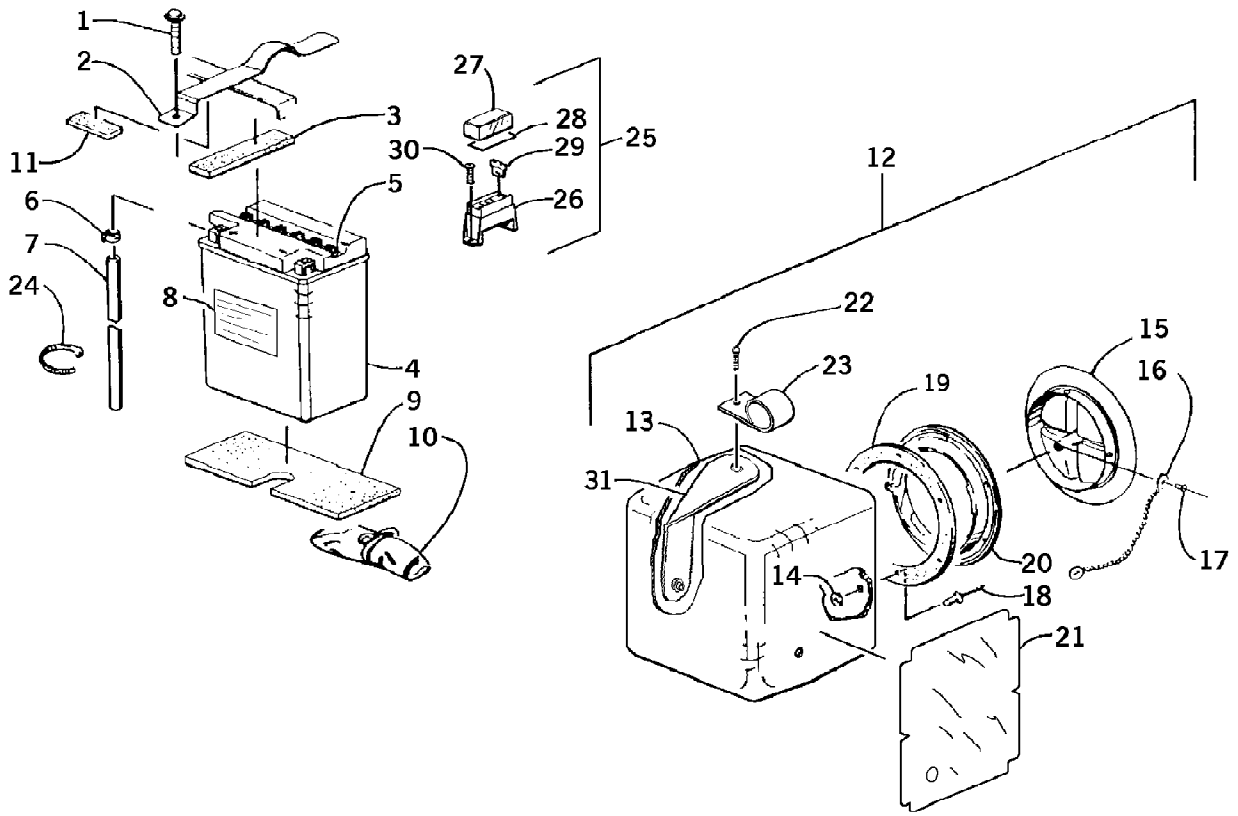
2002 ATV 400 4X4/500 MANUAL TRANSMISSION (400 RED) (A2002ATI4AUSR)
STARTER MOTOR ASSEMBLY

| Ref # | Part Number | Qty | S/P/F | Description |
|-------|-------------|-----|-------|--|
| 1 | 3545-012 | 1 | S | Motor, Starter Assembly (inc. 2-9) |
| 1 | 3545-014 | 1 | /P | Motor, Starter Assembly (inc. 2-9) (500) |
| 2 | 3008-094 | 1 | /P | Terminal Set, Brush |
| 3 | 3008-095 | 1 | /P | Holder Set, Brush |
| 4 | 3008-096 | 4 | | Spring, Brush |
| 5 | 3008-164 | 1 | | O-Ring |
| 6 | 3423-084 | 1 | | O-Ring |
| 7 | 3436-001 | 1 | | Washer Set |
| 8 | 3008-553 | 2 | /P | O-Ring |
| 9 | 3423-085 | 2 | | Screw, Cap |
| 10 | 3423-162 | 2 | S | Screw, Cap |
| 11 | 3423-195 | 1 | /P | Nut |
| 12 | 3423-201 | 1 | /P | Circlip |
| 13 | 3402-043 | 1 | /P | Bearing, Pinion Shaft |



2002 ATV 400 4X4/500 MANUAL TRANSMISSION (400 RED) (A2002ATI4AUSR)
STEERING ASSEMBLY

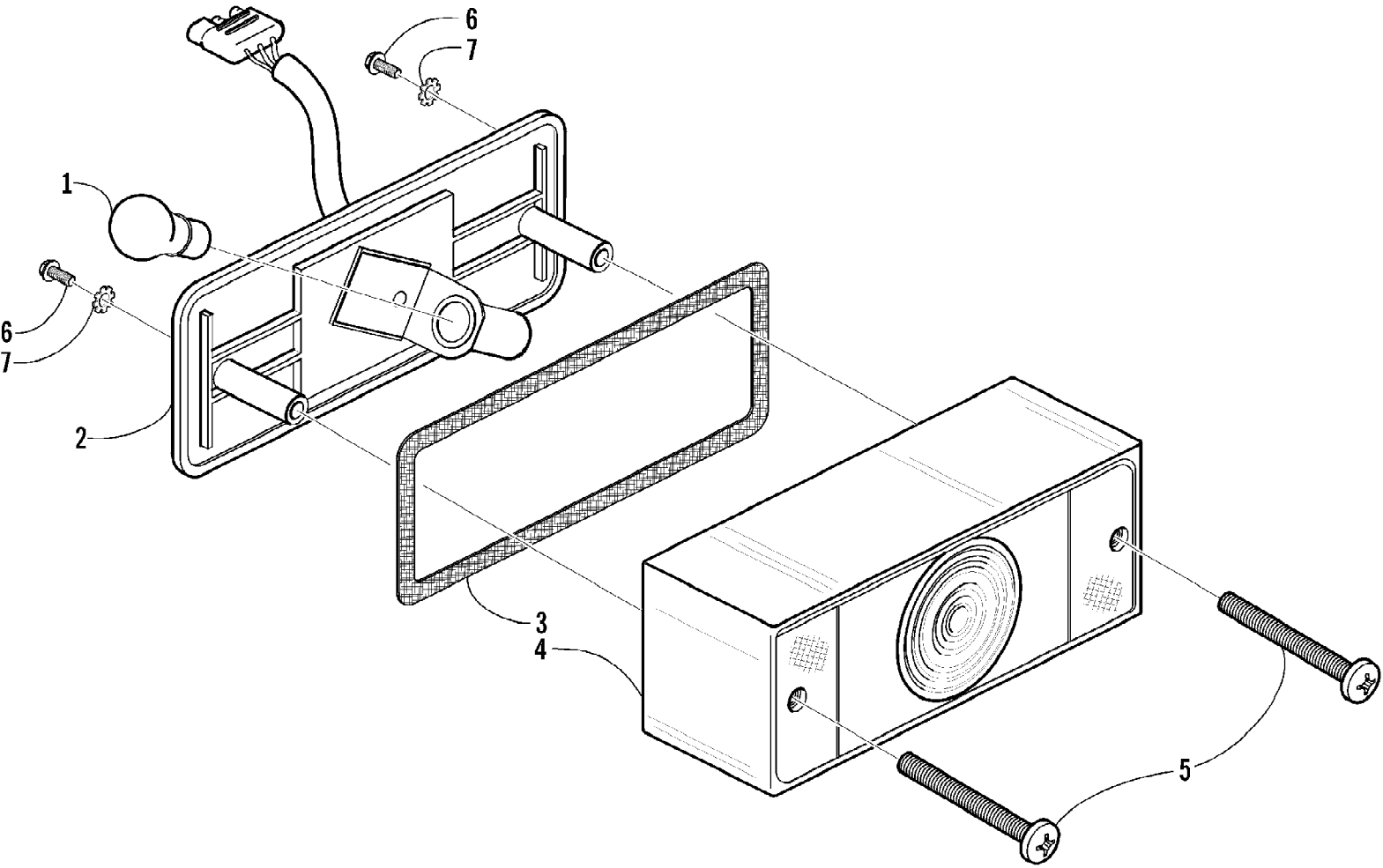
| Ref # | Part Number | Qty | S/P/F | Description |
|-------|-------------|-----|-------|---------------------------------------|
| 1 | 0420-031 | 1 | /P | Speedometer (inc. 2-8) |
| 2 | 3420-027 | 1 | | Knob, Speedometer Trip |
| 3 | 0420-016 | 2 | | Mount, Rubber |
| 4 | 0420-017 | 2 | | Washer |
| 5 | 0420-015 | 2 | | Pin, Retainer |
| 6 | 0420-018 | 1 | | Bracket, Speedometer |
| 7 | 0620-149 | 1 | /P | Bulb, Speedometer |
| 8 | 0420-014 | 1 | | Harness, Speedometer |
| 9 | 8477-616 | 3 | | Screw, Machine |
| 10 | 0409-013 | 1 | | Cover, Key |
| 11 | 3430-040 | 1 | | Switch, Ignition - Assembly (inc. 12) |
| 12 | 3409-007 | 1 | /P | Key, Ignition - Blank (C Series) |
| 12 | 3409-011 | 1 | | Key, Ignition - Blank (D Series) |
| 12 | 3409-012 | 1 | | Key, Ignition - Blank (E Series) |
| 12 | 3409-013 | 1 | | Key, Ignition - Blank (F Series) |
| 13 | 0423-052 | 1 | | Collar, Body |
| 14 | 0405-063 | 1 | | Instrument Pod |
| 15 | 0420-022 | 1 | S | Panel, LED |
| 16 | 0487-026 | 1 | | Cable, Speedometer |
| 17 | 0505-406 | 1 | S/P | Tube, Handlebar |
| 18 | 0405-039 | 2 | /P | Grip, Handlebar |
| 19 | 8060-428 | 2 | | Rivet |
| 20 | 8408-860 | 6 | | Screw, Cap |
| 21 | 0506-348 | 1 | /P | Bracket, Key Switch |
| 22 | 0405-035 | 4 | | Cap, Steering Adjuster |
| 23 | 0605-171 | 1 | | Housing, Bearing - Lower |
| 24 | 0405-020 | 2 | | Bearing, Steering Post |
| 25 | 0605-147 | 1 | S | Housing, Bearing - Upper |
| 26 | 0505-073 | 1 | S | Post, Steering |
| 27 | 8408-816 | 2 | | Screw, Cap |
| 28 | 0623-175 | 4 | | Pin, Cotter |
| 29 | 0423-157 | 4 | | Nut, Top Lock |
| 30 | 0505-072 | 2 | /P | Tie Rod, Assembly (inc. 31-35) |
| 31 | 8420-002 | 2 | /P | Nut -Right |
| 32 | 0405-082 | 2 | S | Ball Joint, Tie Rod - Right |
| 33 | 0405-083 | 2 | S | Ball Joint, Tie Rod - Left |
| 34 | 0423-013 | 2 | | Nut - Left |
| 35 | 0405-032 | 2 | | Tie Rod |
| 36 | 0602-233 | 1 | | Flange, Bearing |
| 37 | 0405-052 | 1 | | Bearing w/Inverted Oil Seal |
| 38 | 0423-073 | 1 | | Washer |
| 39 | 8409-020 | 1 | /P | Screw, Cap |



2002 ATV 400 4X4/500 MANUAL TRANSMISSION (400 RED) (A2002ATI4AUSR)
STORAGE BOX AND BATTERY ASSEMBLY

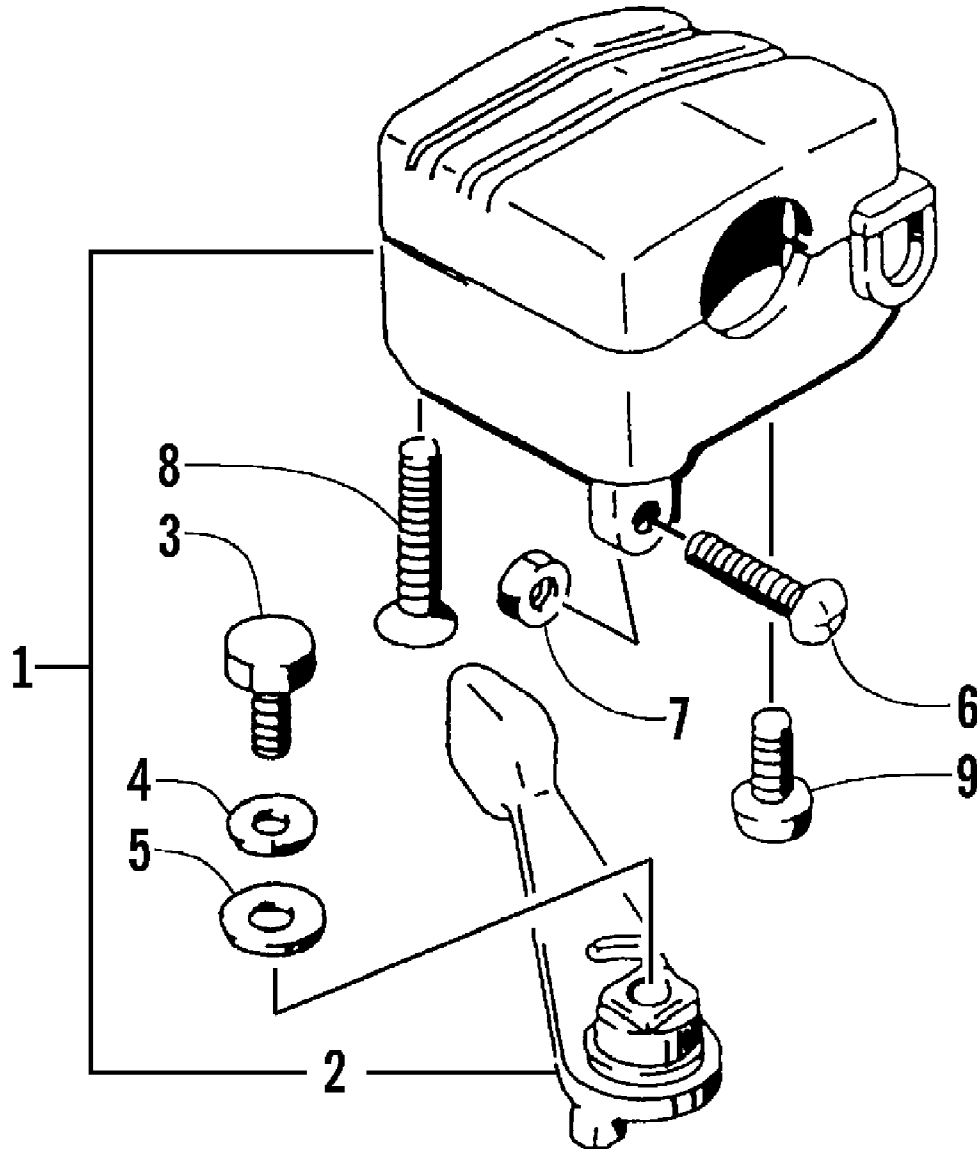
| Ref # | Part Number | Qty | S/P/F | Description |
|-------|-------------|-----|-------|---------------------------------------|
| 1 | 8477-616 | 1 | | Screw, Machine |
| 2 | 0506-178 | 1 | | Strap, Battery w/Pads (inc. 3 and 11) |
| 3 | 0406-289 | 1 | | Pad, Battery - Upper Rear |
| 4 | 0445-005 | 1 | S | Battery Assembly (inc. 5-8) |
| 5 | 0645-045 | 6 | | Cap, Battery |
| 6 | 0645-152 | 1 | | Clamp, Hose |
| 7 | 0645-263 | 1 | /P | Hose, Battery Vent |
| 8 | 0645-151 | 1 | | Label, Warning - Battery |
| 9 | 0406-227 | 1 | | Pad, Battery - Lower |
| 10 | 0444-122 | 1 | S/P | Kit, Tool |
| 11 | 0406-288 | 1 | | Pad, Battery - Upper Front |
| 12 | 0506-663 | 1 | | Storage Box - Assembly (inc. 13-21) |
| 13 | 0406-970 | 1 | | Box, Storage |
| 14 | 0123-802 | 6 | | Washer |
| 15 | 0406-208 | 1 | | Cover, Storage Box |
| 16 | 0773-401 | 1 | | Chain, Cover |
| 17 | 8061-223 | 2 | /P | Rivet |
| 18 | 8060-630 | 6 | | Rivet |
| 19 | 0673-973 | 1 | | Seal, Cover |
| 20 | 0406-205 | 1 | /P | Ring, Mounting -Cover |
| 21 | 0412-125 | 1 | | Shield, Heat |
| 22 | 0623-121 | 4 | | Screw, Machine |
| 23 | 0423-044 | 4 | | Clamp, Tube |
| 24 | 0123-903 | 2 | | Cable Tie - 11.5 in. |
| 25 | 0530-001 | 1 | | Box, Fuse - Assembly (inc. 26-27) |
| 26 | 0 | 1 | F | Block, Fuse |
| 27 | 0 | 1 | F | Cover, Fuse Box |
| 28 | 0411-271 | 1 | | Decal, Fuse Block |
| 29 | 0630-057 | 4 | | Fuse - 10 Amp |
| 29 | 0630-058 | 2 | | Fuse - 15 Amp |
| 30 | 0623-361 | 2 | | Screw, Self-Tapping |
| 31 | 0506-730 | 1 | | Bracket, Storage Box - Right |
| 31 | 0506-731 | 1 | | Bracket, Storage Box - Left |

2002 ATV 400 4X4/500 MANUAL TRANSMISSION (400 RED) (A2002ATI4AUSR) Page 83 of 94
TAILLIGHT ASSEMBLY



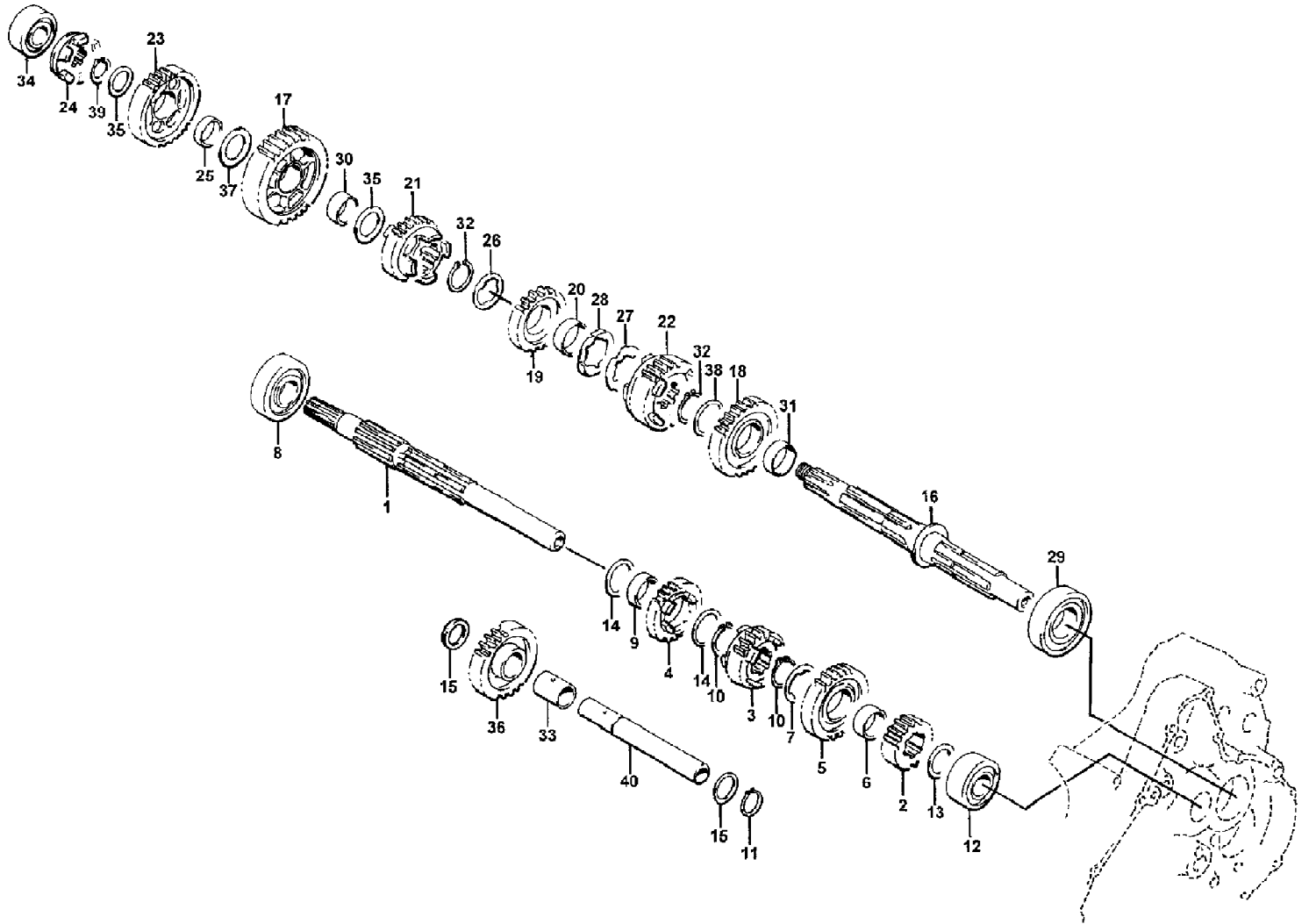
2002 ATV 400 4X4/500 MANUAL TRANSMISSION (400 RED) (A2002ATI4AUSR) Page 84 of 94
TAILLIGHT ASSEMBLY

| Ref # | Part Number | Qty | S/P/F | Description |
|-------|-------------|-----|-------|-------------------------------|
| | 0409-002 | 1 | | Complete Taillight Assembly |
| 1 | 0109-460 | 1 | /P | Bulb, Stop/Taillight |
| 2 | 0409-011 | 1 | | Taillight w/Socket Assembly |
| 3 | 0409-012 | 1 | | Gasket, Taillight Lens |
| 4 | 0409-007 | 1 | | Lens, Taillight |
| 5 | 0409-010 | 2 | | Screw, Machine |
| 6 | 0623-301 | 2 | /P | Screw, Self-Tapping |
| 7 | 8053-212 | 2 | /P | Washer, Lock - External Tooth |



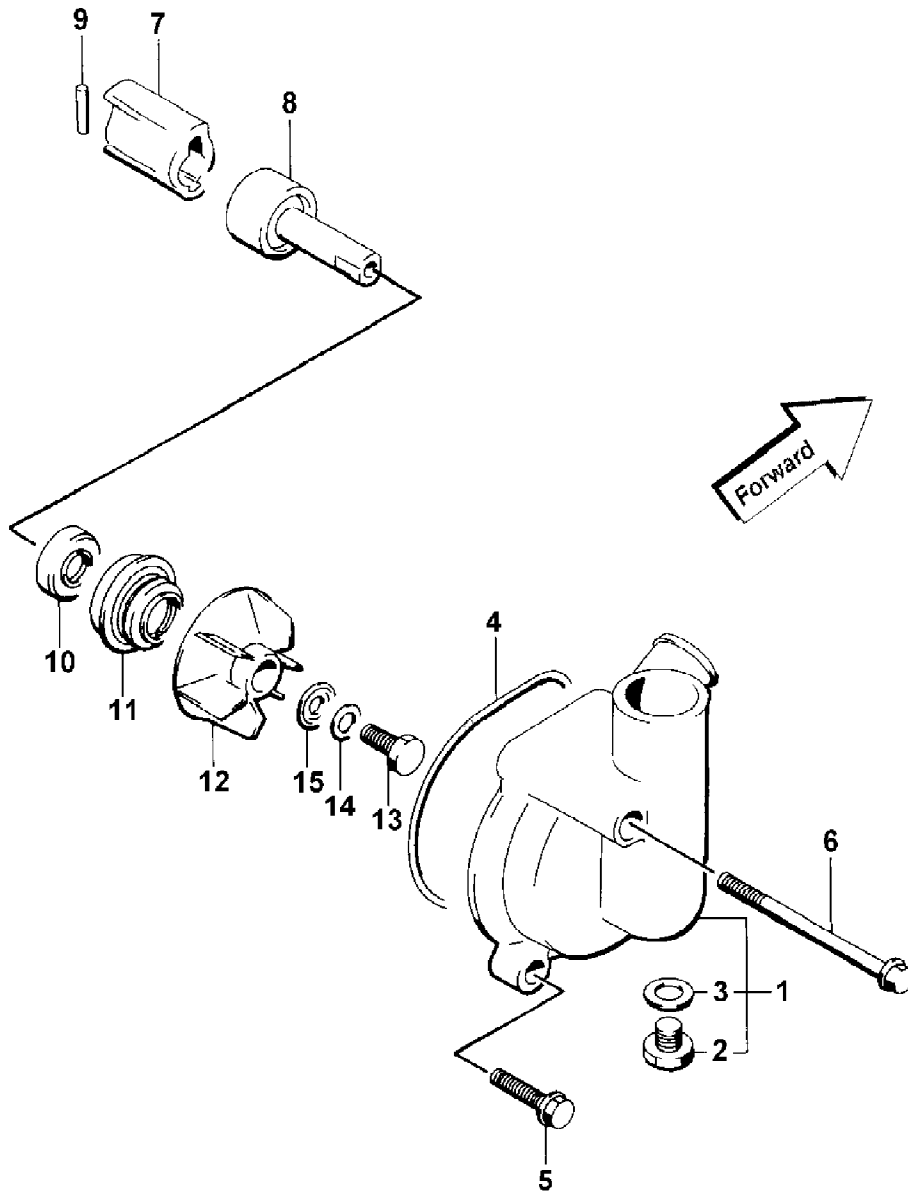
2002 ATV 400 4X4/500 MANUAL TRANSMISSION (400 RED) (A2002ATI4AUSR)
THROTTLE CASE ASSEMBLY

| Ref # | Part Number | Qty | S/P/F | Description |
|-------|-------------|-----|-------|--------------------------------------|
| 1 | 3509-003 | 1 | /P | Case, Throttle - Assembly (inc. 2-9) |
| 2 | 3409-001 | 1 | | Lever |
| 3 | 3004-533 | 1 | S/P | Screw, Cap |
| 4 | 3004-447 | 1 | /P | Washer, Lock |
| 5 | 3003-030 | 1 | /P | Washer |
| 6 | 3423-014 | 1 | | Screw |
| 7 | 3423-327 | 1 | | Nut |
| 8 | 3423-199 | 2 | | Screw |
| 9 | 3004-638 | 1 | /P | Screw |



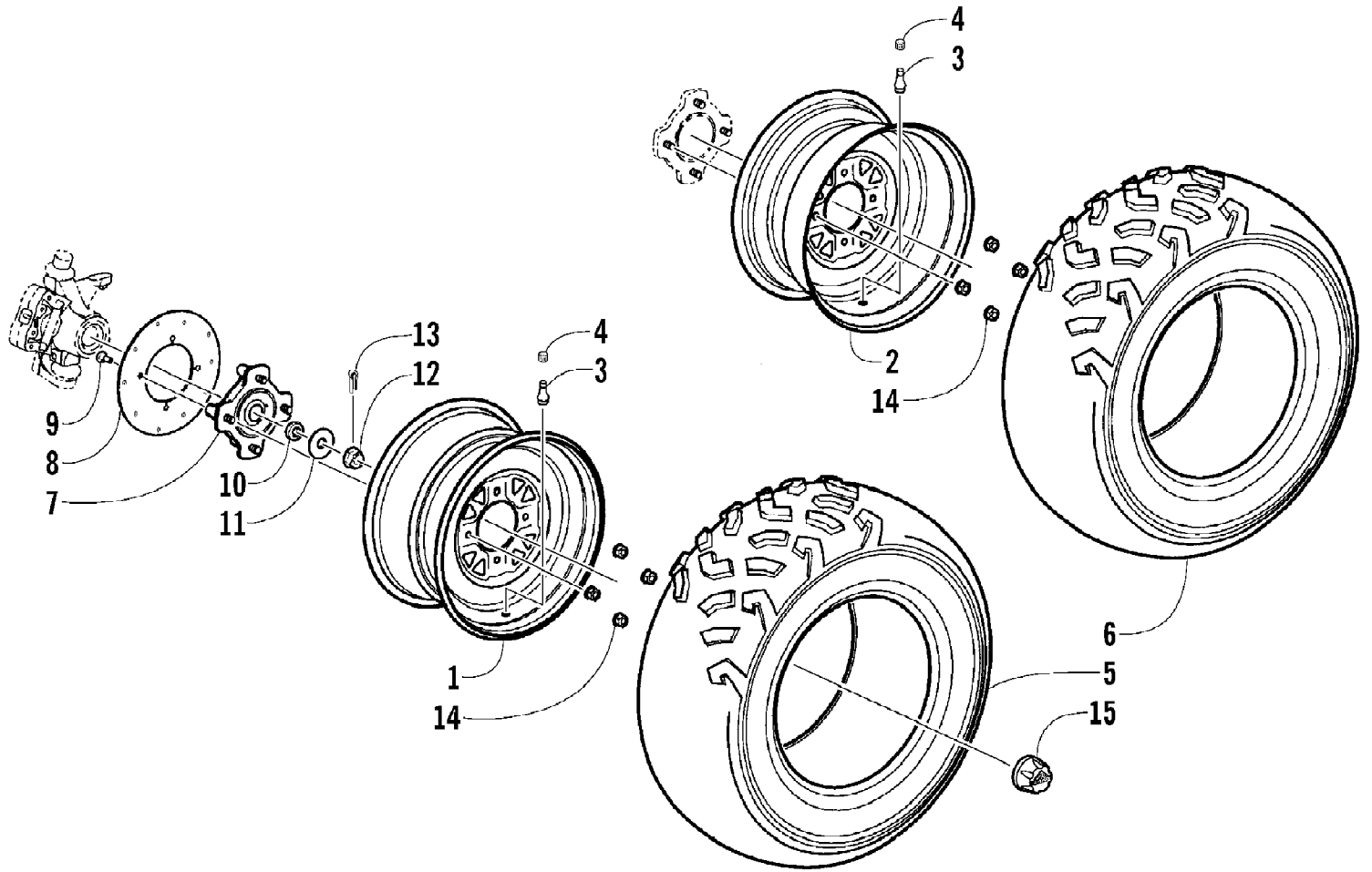
2002 ATV 400 4X4/500 MANUAL TRANSMISSION (400 RED) (A2002ATI4AUSR)
TRANSMISSION ASSEMBLY

| Ref # | Part Number | Qty | S/P/F | Description |
|-------|-------------|-----|-------|-------------------------------|
| 1 | 3446-014 | 1 | | Countershaft |
| 2 | 3446-016 | 1 | | Gear, 2nd Drive |
| 3 | 3446-215 | 1 | | Gear, 3rd Drive |
| 4 | 3446-018 | 1 | | Gear, 4th Drive |
| 5 | 3446-216 | 1 | | Gear, 5th Drive |
| 6 | 3446-020 | 1 | | Bushing, 5th Drive Gear |
| 7 | 3423-037 | 1 | | Washer, 5th Drive Gear |
| 8 | 3402-050 | 1 | | Bearing, Countershaft - Right |
| 9 | 3402-081 | 1 | | Bushing, 4th Drive Gear |
| 10 | 3423-066 | 2 | /P | Circlip, 4th Drive Gear |
| 11 | 3423-190 | 1 | S | Circlip, Reverse Idle |
| 12 | 3402-179 | 1 | | Bearing, Countershaft |
| 13 | 3402-195 | 1 | | Shim |
| 14 | 3423-187 | 2 | /P | Washer, 4th Drive |
| 15 | 3423-126 | 2 | /P | Washer, Reverse Idle |
| 16 | 3446-015 | 1 | | Driveshaft |
| 16 | 3446-234 | 1 | | Driveshaft (500) |
| 17 | 3446-217 | 1 | S | Gear, 1st Driven |
| 17 | 3446-235 | 1 | /P | Gear, 1st Driven (500) |
| 18 | 3446-022 | 1 | | Gear, 2nd Driven |
| 19 | 3446-218 | 1 | | Gear, 3rd Driven |
| 20 | 3446-024 | 1 | | Bushing, 3rd Driven |
| 21 | 3446-219 | 1 | /P | Gear, 4th Driven |
| 22 | 3446-220 | 1 | | Gear, 5th Driven |
| 23 | 3446-029 | 1 | | Gear, Reverse Driven |
| 24 | 3446-030 | 1 | | Dog, Reverse |
| 25 | 3446-032 | 1 | | Bushing, Reverse Driven |
| 26 | 3423-038 | 1 | | Washer, 3rd Driven - Right |
| 27 | 3423-039 | 1 | | Washer, 3rd Driven - Left |
| 28 | 3423-040 | 1 | | Washer, 3rd Driven - Left |
| 29 | 3402-336 | 1 | | Bearing, Driveshaft |
| 30 | 3402-080 | 1 | S | Bushing, 1st Driven |
| 31 | 3402-082 | 1 | | Bushing, 2nd Driven |
| 32 | 3423-188 | 2 | S | Circlip, 2nd Driven |
| 33 | 3446-238 | 1 | | Bushing, Reverse Idle |
| 34 | 3003-320 | 1 | /P | Bearing, Driveshaft - Right |
| 35 | 3402-335 | 2 | | Washer, Reverse Driven |
| 36 | 3446-237 | 1 | | Gear, Reverse Idle |
| 37 | 3423-131 | 1 | | Washer, 1st Driven - Right |
| 38 | 3003-605 | 1 | /P | Washer, 2nd Driven |
| 38 | 3402-383 | 1 | | Washer, 2nd Driven (500) |
| 39 | 3423-189 | 1 | S | Circlip, Reverse Driven |
| 40 | 3446-236 | 1 | | Shaft, Reverse Idle |



2002 ATV 400 4X4/500 MANUAL TRANSMISSION (400 RED) (A2002ATI4AUSR)
WATER PUMP ASSEMBLY

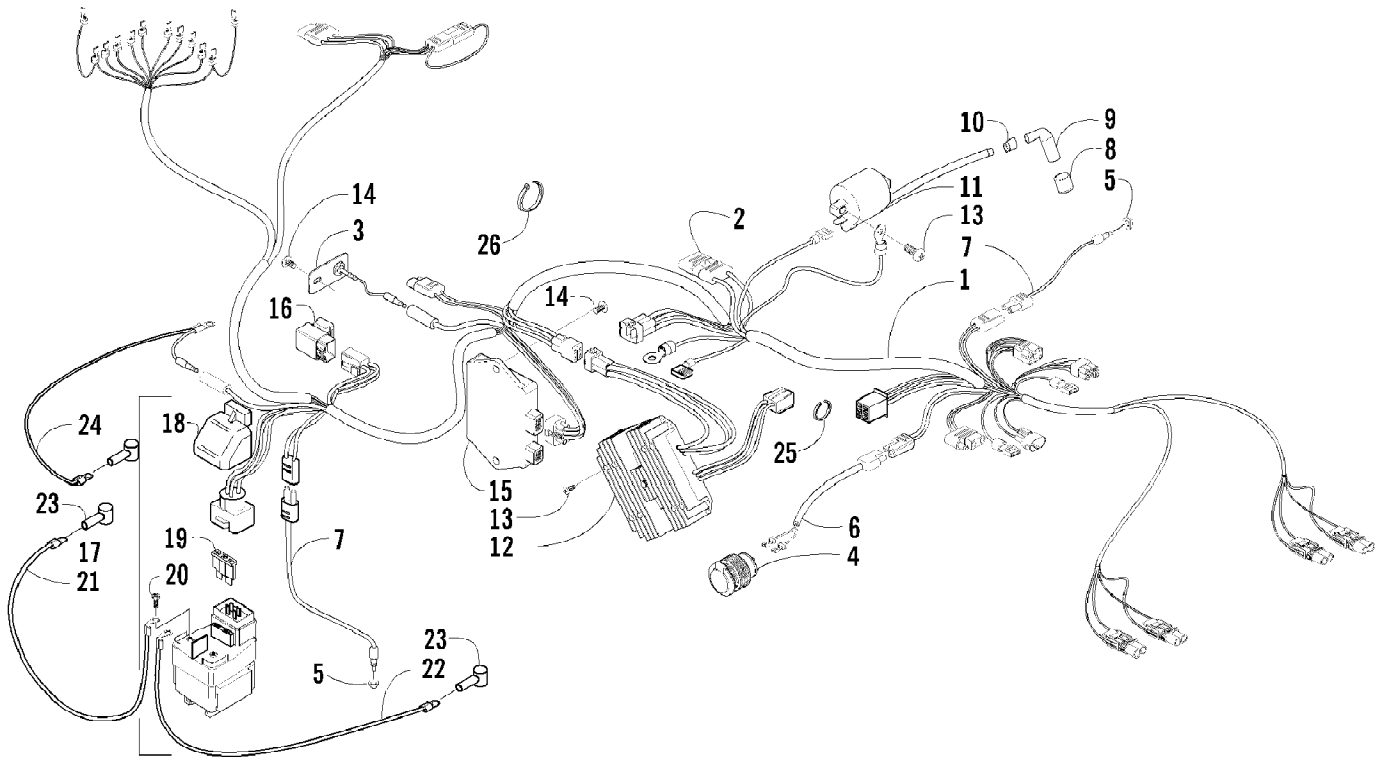
| Ref # | Part Number | Qty | S/P/F | Description |
|-------|-------------|-----|-------|-----------------------------------|
| 1 | 3402-159 | 1 | S | Case, Water Pump (inc. 2-3) |
| 1 | 3402-354 | 1 | /P | Case, Water Pump (inc. 2-3) (500) |
| 2 | 3423-185 | 1 | | Screw, Cap |
| 2 | 3423-343 | 1 | | Screw, Cap (500) |
| 3 | 3003-188 | 1 | S/P | Gasket |
| 4 | 3423-078 | 1 | | O-Ring |
| 5 | 3004-507 | 2 | S | Screw, Cap |
| 6 | 3423-119 | 1 | S | Screw, Cap |
| 7 | 3413-010 | 1 | S/P | Joint, Pump Drive |
| 7 | 3413-011 | 1 | /P | Joint, Pump Drive (500) |
| 8 | 3413-002 | 1 | | Shaft, Pump w/Bearing |
| 9 | 3423-046 | 1 | | Pin |
| 10 | 3003-356 | 1 | | Seal, Pump Drive |
| 11 | 3402-360 | 1 | S | Seal, Mechanical |
| 12 | 3413-001 | 1 | | Impeller |
| 13 | 3003-426 | 1 | | Screw, Cap |
| 14 | 3003-431 | 1 | /P | Washer |
| 15 | 3003-432 | 1 | | Gasket |



2002 ATV 400 4X4/500 MANUAL TRANSMISSION (400 RED) (A2002ATI4AUSR)
WHEEL AND TIRE ASSEMBLY

| Ref # | Part Number | Qty | S/P/F | Description |
|-------|-------------|-----|-------|-----------------------|
| 1 | 0402-888 | 2 | | Wheel - Front |
| 2 | 0402-885 | 2 | | Wheel - Rear |
| 3 | 0402-064 | 4 | | Stem, Valve (inc. 4) |
| 4 | 0402-140 | 4 | | Cap, Valve Stem |
| 5 | 0402-890 | 2 | | Tire - Front |
| 6 | 0402-887 | 2 | | Tire - Rear |
| 7 | 0502-258 | 2 | /P | Hub, Wheel - Front |
| 8 | 0402-874 | 2 | S | Disc, Brake |
| 9 | 0423-029 | 8 | | Screw, Machine |
| 10 | 0402-181 | 2 | | Seal, Hub |
| 11 | 0423-080 | 2 | | Washer |
| 12 | 0423-346 | 2 | | Nut, Hex |
| 13 | 0123-458 | 2 | /P | Pin, Cotter |
| 14 | 0423-322 | 16 | | Nut, Mounting - Wheel |
| 15 | 0403-035 | 2 | /P | Cap, Wheel - Center |

2002 ATV 400 4X4/500 MANUAL TRANSMISSION (400 RED) (A2002ATI4AUSR) Page 93 of 94
WIRING HARNESS ASSEMBLY



2002 ATV 400 4X4/500 MANUAL TRANSMISSION (400 RED) (A2002ATI4AUSR) Page 94 of 94
WIRING HARNESS ASSEMBLY

| Ref # | Part Number | Qty | S/P/F | Description |
|-------|-------------|-----|-------|--|
| 1 | 0486-084 | 1 | | Harness, Main (inc. 2) |
| 2 | 0486-029 | 1 | | Diode (Start In Gear) |
| 3 | 0586-003 | 1 | | Diode Assembly |
| 4 | 0445-022 | 1 | S | Receptacle, 12V |
| 5 | 0402-168 | 1 | /P | Retainer, Switch |
| 6 | 0486-004 | 1 | | Harness, 12V Receptacle |
| 7 | 0409-009 | 2 | | Switch, Brake - Assembly |
| 8 | 3430-008 | 1 | /P | Seal, Spark Plug Cap |
| 9 | 3430-007 | 1 | /P | Cap, Spark Plug |
| 10 | 3430-009 | 1 | /P | Seal, High Tension Wire |
| 11 | 3530-004 | 1 | /P | Coil, Ignition - Assembly |
| 12 | 3530-028 | 1 | S | Regulator, Voltage |
| 13 | 8476-620 | 4 | | Screw, Machine |
| 14 | 8476-616 | 3 | | Screw, Machine |
| 15 | 3530-003 | 1 | | CDI Unit |
| 16 | 3530-008 | 1 | S | Relay, Neutral Start - Assembly |
| 17 | 3530-001 | 1 | /P | Relay, Starter Motor - Assembly (inc. 18-19) |
| 18 | 3530-010 | 1 | | Cover, Starter Motor Relay |
| 19 | 0630-098 | 1 | | Fuse, 30 Amp |
| 20 | 3423-020 | 2 | /P | Screw, Cap |
| 21 | 0445-003 | 1 | /P | Cable, Battery/Electric Start Relay |
| 22 | 0445-032 | 1 | | Cable, Battery/Electric Start |
| 23 | 0645-019 | 3 | | Boot, Terminal |
| 24 | 0445-002 | 1 | | Cable, Battery/Ground |
| 25 | 0123-903 | A | | Cable Tie - 11.5 in. |
| 26 | 0123-788 | A | /P | Cable Tie - 7 in. |