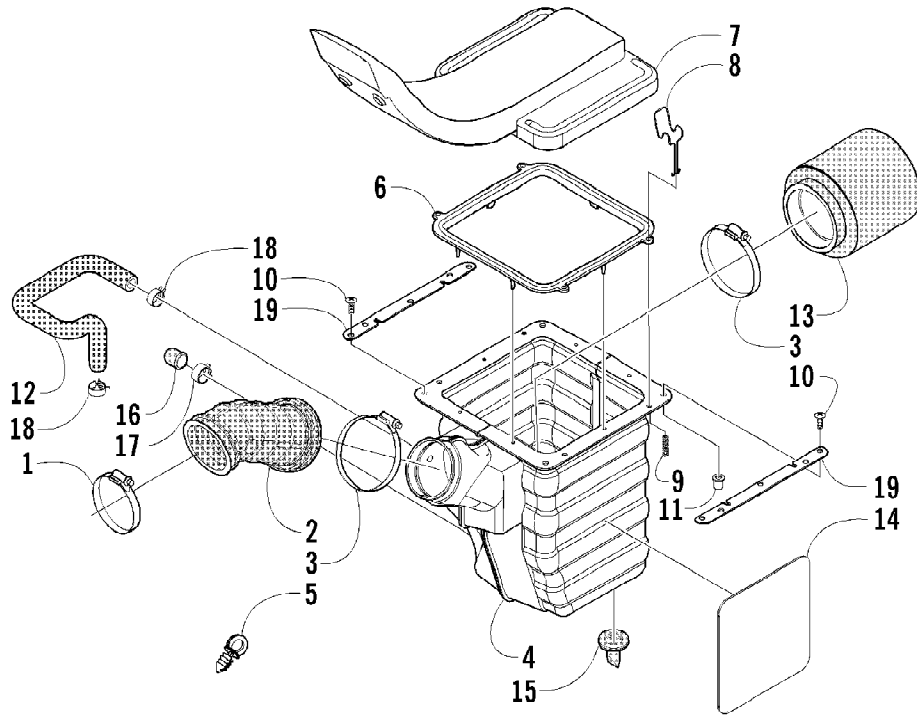


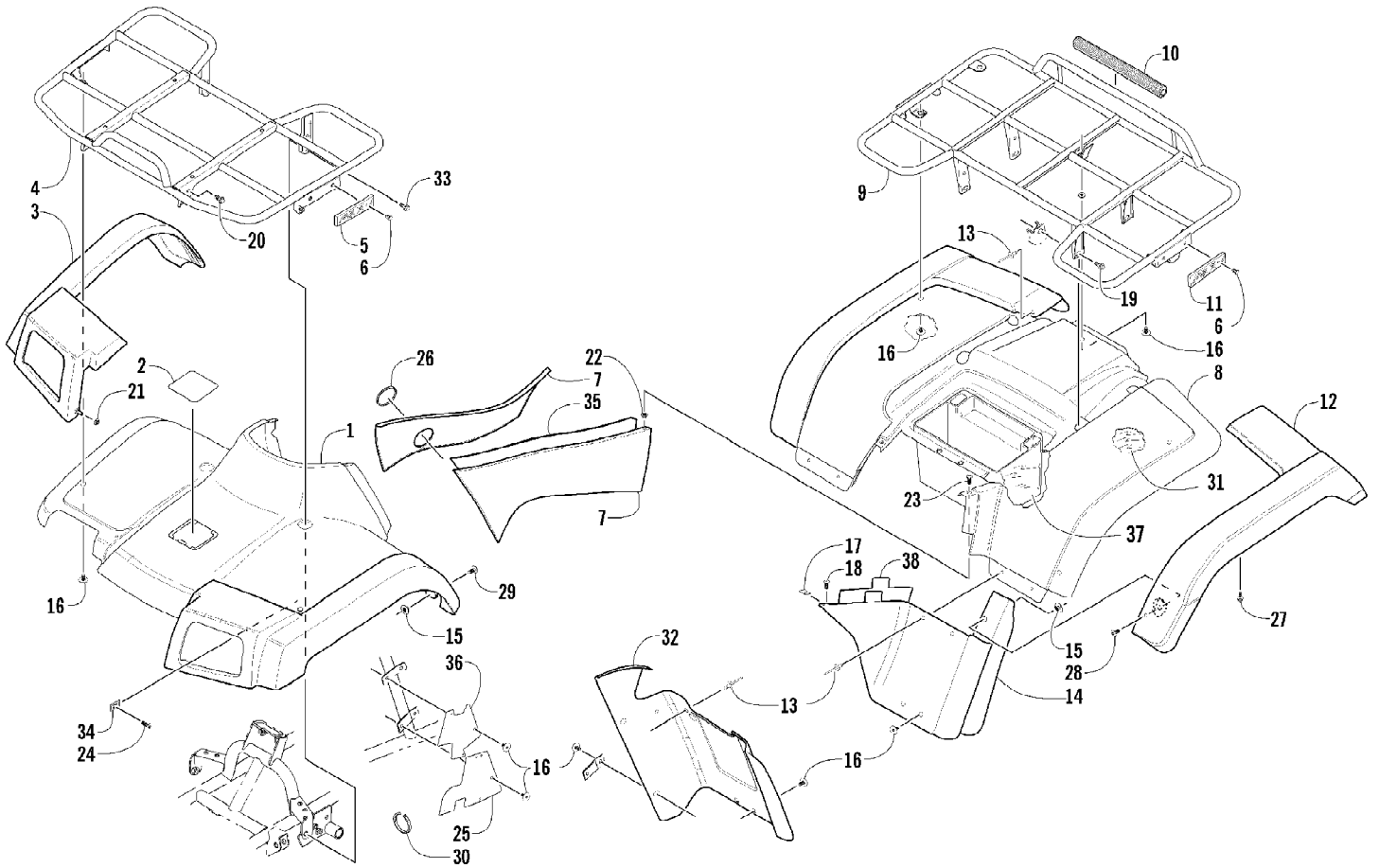
2002 ATV 375 AUTOMATIC TRANSMISSION (4X4 GREEN) (A2002ATG4BUSG) Page 1 of 89
AIR INTAKE ASSEMBLY



2002 ATV 375 AUTOMATIC TRANSMISSION (4X4 GREEN) (A2002ATG4BUSG)Page 2 of 89
AIR INTAKE ASSEMBLY

Ref #	Part Number	Qty	S/P/F	Description
1	0423-379	1		Clamp
2	0470-456	1		Boot, Air Intake
3	0423-018	2		Clamp
4	0470-446	1	/P	Housing, Air Intake
5	0623-101	1		Clip, Retaining
6	0470-343	1		Gasket
7	0470-383	1	/P	Snorkel
8	0470-307	4		Clamp
9	0423-037	4		Spring
10	0623-121	4		Screw, Machine
11	0123-010	4	/P	Nut, Expansion
12	0410-045	1		Hose, Crankcase Vent
13	0470-391	1	/P	Filter, Air
14	0412-141	1		Shield, Heat
15	0470-442	1	/P	Valve, Drain
16	1673-272	1	/P	Cap, Drain Tube
17	0423-047	1		Clamp, Hose
18	0423-045	2		Clamp, Hose
19	0470-351	2		Support, Air Intake Flange

2002 ATV 375 AUTOMATIC TRANSMISSION (4X4 GREEN) (A2002ATG4BUSG) Page 3 of 89
BODY PANEL ASSEMBLY



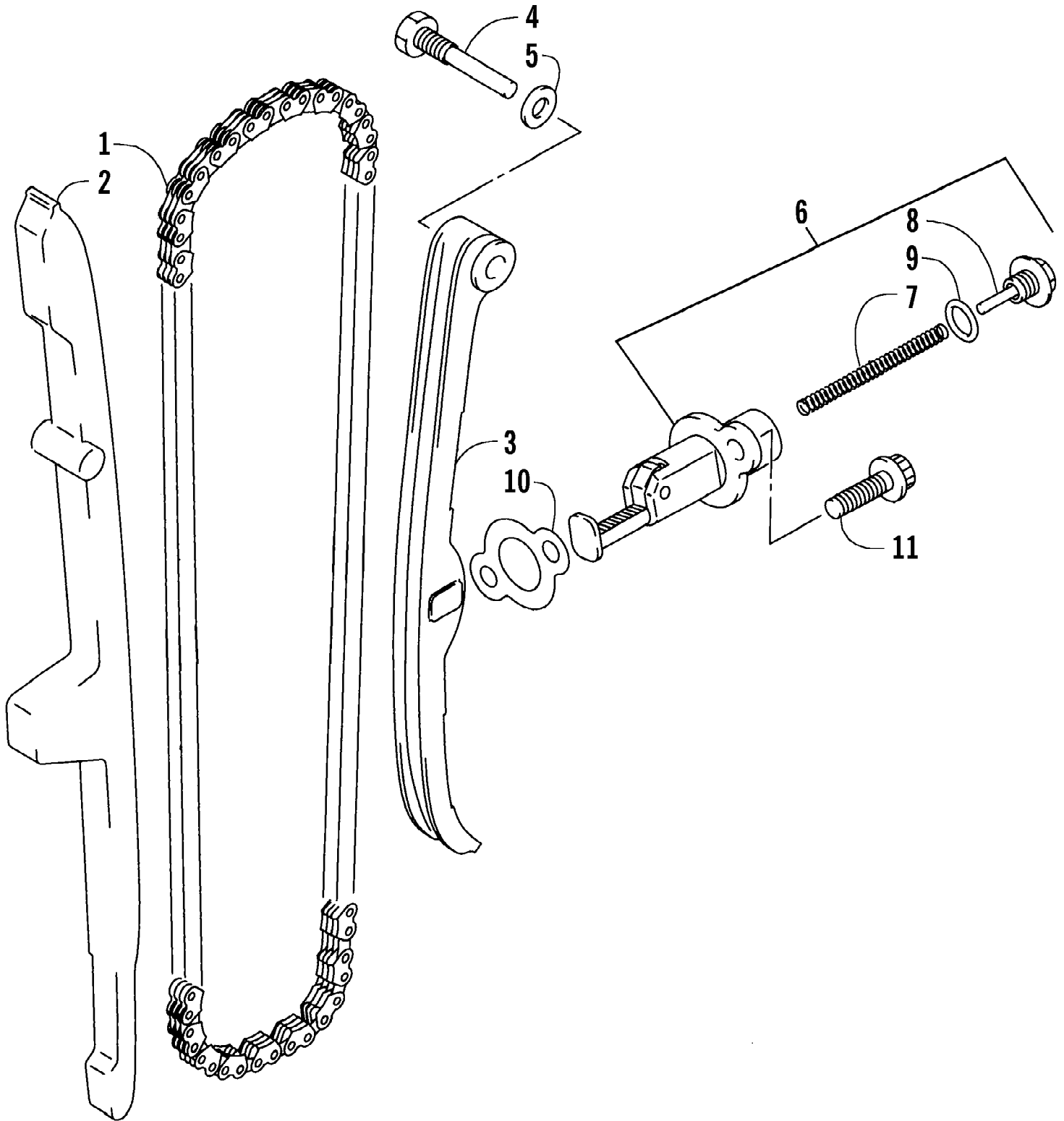
2002 ATV 375 AUTOMATIC TRANSMISSION (4X4 GREEN) (A2002ATG4BUSG) Page 4 of 89
BODY PANEL ASSEMBLY

Ref #	Part Number	Qty	S/P/F	Description
1	0506-605	1		Panel, Fender - Front (inc. 2) (Red)
1	0506-604	1		Panel, Fender - Front (inc. 2) (Green)
1	0506-616	1		Panel, Fender - Front (inc. 2) (4X4) (Red)
1	0506-584	1		Panel, Fender - Front (inc. 2) (4X4) (Green)
2	0406-244	1	S/P	Cover, Access (Red)
2	0406-975	1	S	Cover, Access (Green)
3	0506-550	1		Flare - Front Right (4X4)
3	0506-551	1		Flare - Front Left (4X4)
4	0506-718	1		Rack - Front
4	0506-547	1		Rack - Front (4X4)
5	0606-526	2		Reflector, Front - Amber
6	0623-269	8		Clip, Retaining
7	0506-548	1		Panel, Side - Right (Red)
7	0506-243	1		Panel, Side - Left (Red)
7	0506-549	1		Panel, Side - Right (Green)
7	0506-673	1		Panel, Side - Left (Green)
8	0506-618	1		Panel, Fender - Rear (Red)
8	0506-634	1		Panel, Fender - Rear (Green)
8	0506-620	1	S	Panel, Fender - Rear (4X4) (Red)
8	0506-621	1		Panel, Fender - Rear (4X4) (Green)
9	0506-608	1	S	Rack - Rear
10	0406-293	1		Wrap, Tube - Rear Rack
11	0606-029	2		Reflector, Rear - Red
12	0506-552	1		Flare - Rear Right (4X4)
12	0506-553	1		Flare - Rear Left (4X4)
13	0423-046	AR		Rivet, Plastic
14	0506-750	1	S	Fender Extension - Rear Right
14	0406-085	1		Fender Extension - Rear Left
15	0423-077	4	/P	T-Nut
16	0423-101	AR		Screw, Machine
17	0423-060	2		Clip, Tinerman
18	0623-309	2		Screw, Self-Tapping
19	8409-020	6	/P	Screw, Cap
20	0423-360	2		Screw, Cap
21	0423-357	2		Nut (4X4)
22	0123-010	2	/P	Nut, Expansion
23	0423-068	2		Screw, Machine
24	8477-616	2		Screw, Machine
25	1406-006	2		Panel, Fender - Inner
26	0470-404	1		Grommet, Gas Valve
27	0423-342	16	/P	Screw, Self-Tapping (4X4)
28	8477-610	2		Screw, Machine
28	0423-355	2		Screw, Shoulder (4X4)
29	8477-610	2		Screw, Machine
29	0423-356	2		Screw, Shoulder (4X4)
30	0123-788	AR	/P	Cable Tie - 7.5 in.
31	0412-124	1		Shield, Heat
32	0406-140	1	/P	Panel, Kick - Right
32	0506-628	1		Panel, Kick - Left
32	0406-941	1	/P	Panel, Kick - Right (4X4)
32	0506-626	1		Panel, Kick - Left (4X4)
33	8408-816	2		Screw, Cap
34	0423-031	2		Nut, Screen

2002 ATV 375 AUTOMATIC TRANSMISSION (4X4 GREEN) (A2002ATG4BUSG) Page 5 of 89
BODY PANEL ASSEMBLY

Ref #	Part Number	Qty	S/P/F	Description
35	0412-142	1		Shield, Heat
36	1406-063	1		Panel, Fender - Inner Right
36	1406-064	1		Panel, Fender - Inner Left
37	0412-147	1		Shield, Heat
38	0412-140	1		Shield, Heat

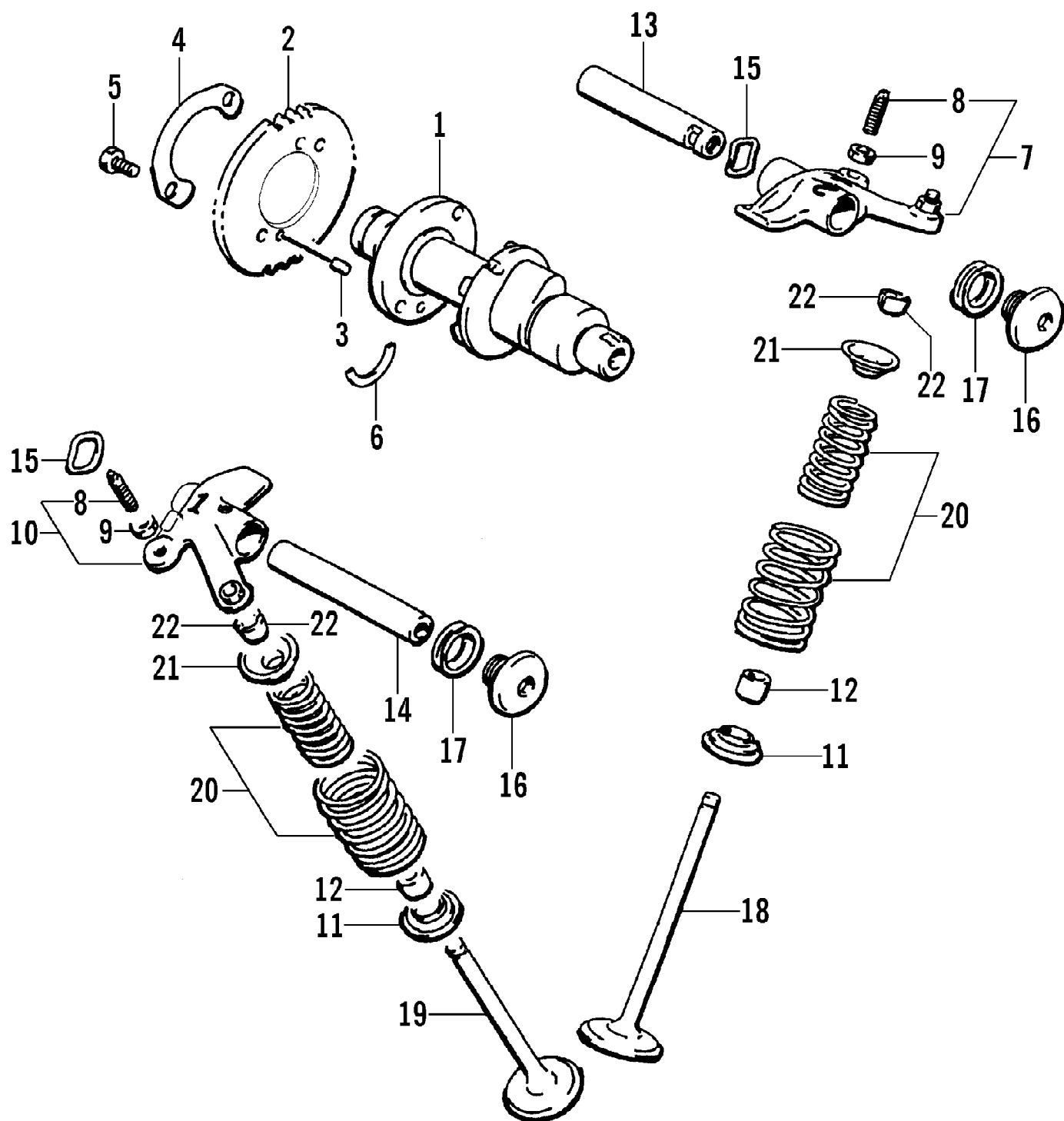
2002 ATV 375 AUTOMATIC TRANSMISSION (4X4 GREEN) (A2002ATG4BUSG) Page 6 of 89
CAM CHAIN ASSEMBLY



2002 ATV 375 AUTOMATIC TRANSMISSION (4X4 GREEN) (A2002ATG4BUSG) Page 7 of 89
CAM CHAIN ASSEMBLY

Ref #	Part Number	Qty	S/P/F	Description
1	3402-281	1		Chain, Cam
2	3402-612	1		Guide, Cam Chain
3	3402-613	1		Tensioner, Cam Chain
4	3423-074	1		Bolt
5	3003-188	1	S/P	Washer
6	3402-614	1		Adjuster, Tensioner - Assembly (inc. 7-9)
7	3423-484	1		Spring
8	3423-285	1		Plug
9	3423-286	1		O-Ring
10	3402-287	1		Gasket, Adjuster
11	3004-576	2	S	Bolt

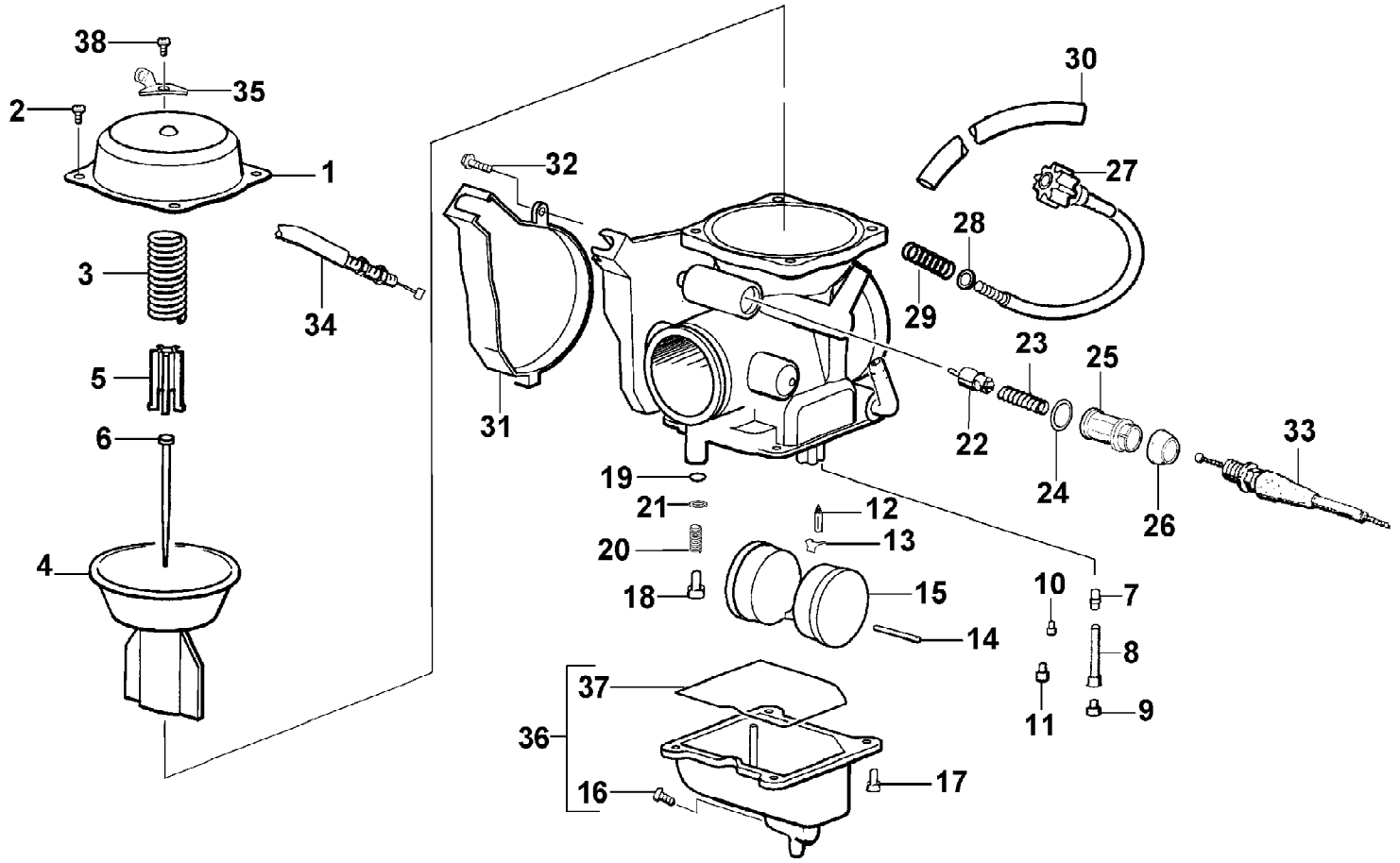
2002 ATV 375 AUTOMATIC TRANSMISSION (4X4 GREEN) (A2002ATG4BUSG) Page 8 of 89
CAMSHAFT/VALVE ASSEMBLY



2002 ATV 375 AUTOMATIC TRANSMISSION (4X4 GREEN) (A2002ATG4BUSG) Page 9 of 89
CAMSHAFT/VALVE ASSEMBLY

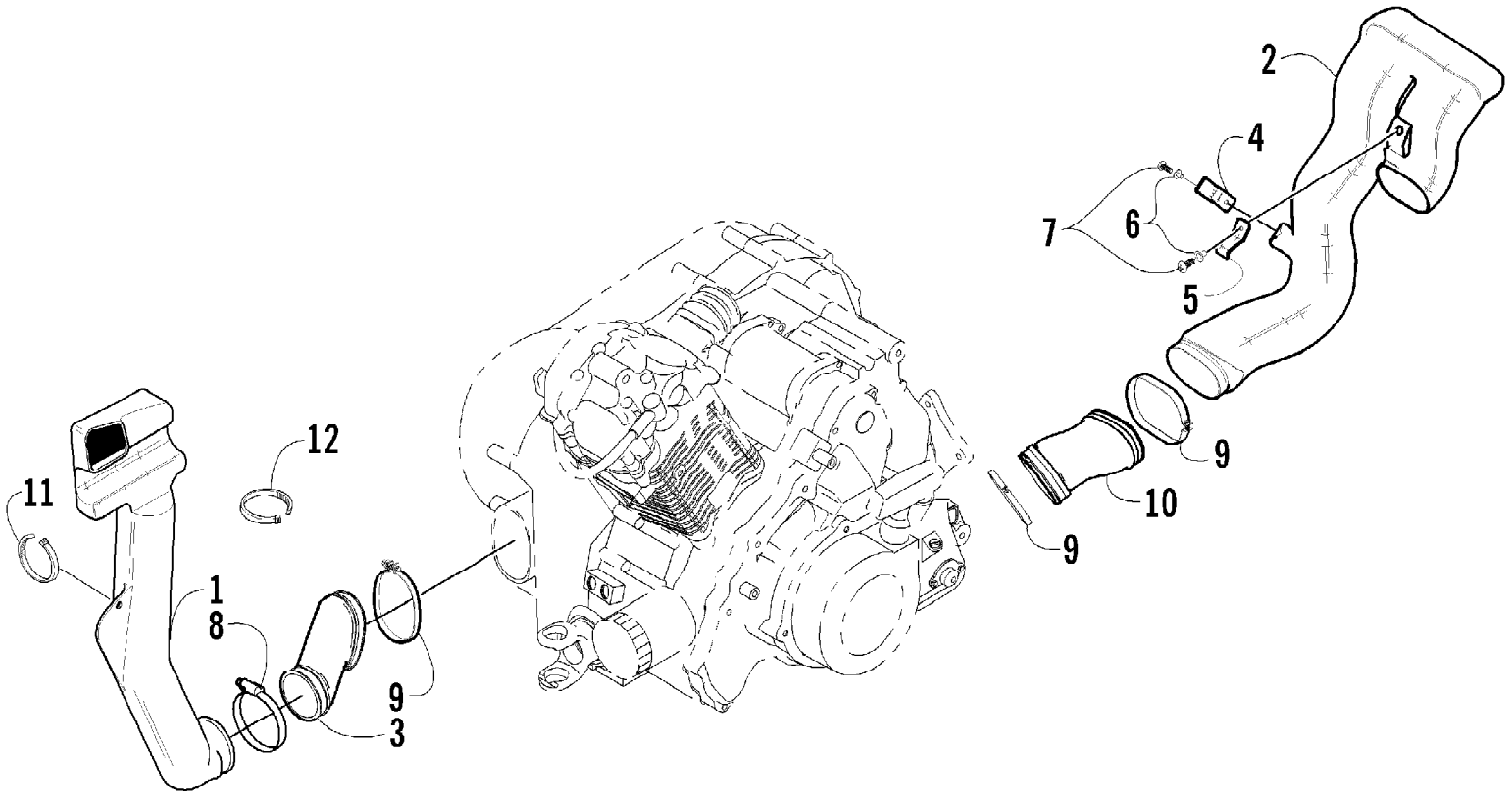
Ref #	Part Number	Qty	S/P/F	Description
1	3402-609	1	S	Camshaft
2	3402-611	1		Sprocket
3	3423-047	1		Pin
4	3423-073	1		Washer
5	3423-013	2	S	Bolt
6	3423-071	1	/P	C-Ring
7	3402-532	1	S	Arm, Valve Rocker - Intake (inc. two No. 8-9)
8	3423-075	4		Screw
9	3423-076	4		Nut
10	3402-139	1		Arm, Valve Rocker - Exhaust (inc. two No. 8-9)
11	3402-148	4		Seat, Spring
12	3402-078	4		Seal, Oil
13	3402-140	1		Shaft, Rocker Arm
14	3402-141	1		Shaft, Rocker Arm
15	3423-031	2		Washer
16	3402-040	2	/P	Plug, Shaft
17	3402-012	2		Gasket
18	3402-142	2	S	Valve, Intake
19	3402-143	2		Valve, Exhaust
20	3402-144	4		Spring, Valve - Set
21	3402-146	4	S	Retainer, Spring
22	3402-147	8		Cotter, Valve

2002 ATV 375 AUTOMATIC TRANSMISSION (4X4 GREEN) (A2002ATG4BUS) Page 10 of 89
CARBURETOR



2002 ATV 375 AUTOMATIC TRANSMISSION (4X4 GREEN) (A2002ATG4BUS) Page 11 of 89
CARBURETOR

Ref #	Part Number	Qty	S/P/F	Description
	0470-454	1		Complete Assembly
1	5507-001	1		Cover, Top
2	5507-002	3	/P	Screw, Top Cover
3	5507-052	1		Spring
4	5507-053	1		Piston, Vacuum
5	5507-054	1		Spring, Seat
6	5507-080	1		Jet Needle
7	5507-056	1		Needle Jet
8	5507-047	1	/P	Holder, Needle Jet
9	5507-009	1	/P	Main Jet - 150
9	5507-041	1	F	Main Jet - 147
9	5507-042	1	/P/F	Main Jet - 145
9	5507-043	1	F	Main Jet - 142
9	5507-044	1	F	Main Jet - 140
10	5507-010	1	S	Slow Jet
11	5507-090	1		Starter Jet - 60
12	5507-038	1		Valve, Float - Set (inc. 13)
13	0	1	F	Clip
14	0	1	F	Pin, Float
15	5507-039	1		Float Set (inc. 14)
16	5507-050	1	/P	Screw, Drain
17	5507-089	4	S	Screw
18	5507-040	1		Screw, Pilot Air - Set (inc. 19-21)
19	0	1	F	O-Ring
20	0	1	F	Spring
21	0	1	F	Washer
22	5507-022	1		Valve, Starter
23	5507-023	1		Spring
24	5507-024	1		O-Ring
25	5507-025	1		Cap
26	5507-026	1		Cap, Rubber
27	5507-027	1		Screw, Idle Adjust (inc. 35)
28	5507-028	1		Washer
29	5507-029	1		Spring
30	5507-083	1	/P	Tube, Vinyl
31	5507-036	1		Cover
32	5507-037	1	/P	Screw
33	0487-016	1		Cable, Choke
34	0487-021	1	S	Cable, Throttle
35	0	1	F	Bracket, Idle Adjust Screw
36	5507-064	1		Chamber, Float - Assembly (inc. 16 and 37)
37	5507-068	1		O-Ring, Float Chamber
38	5507-035	1		Screw

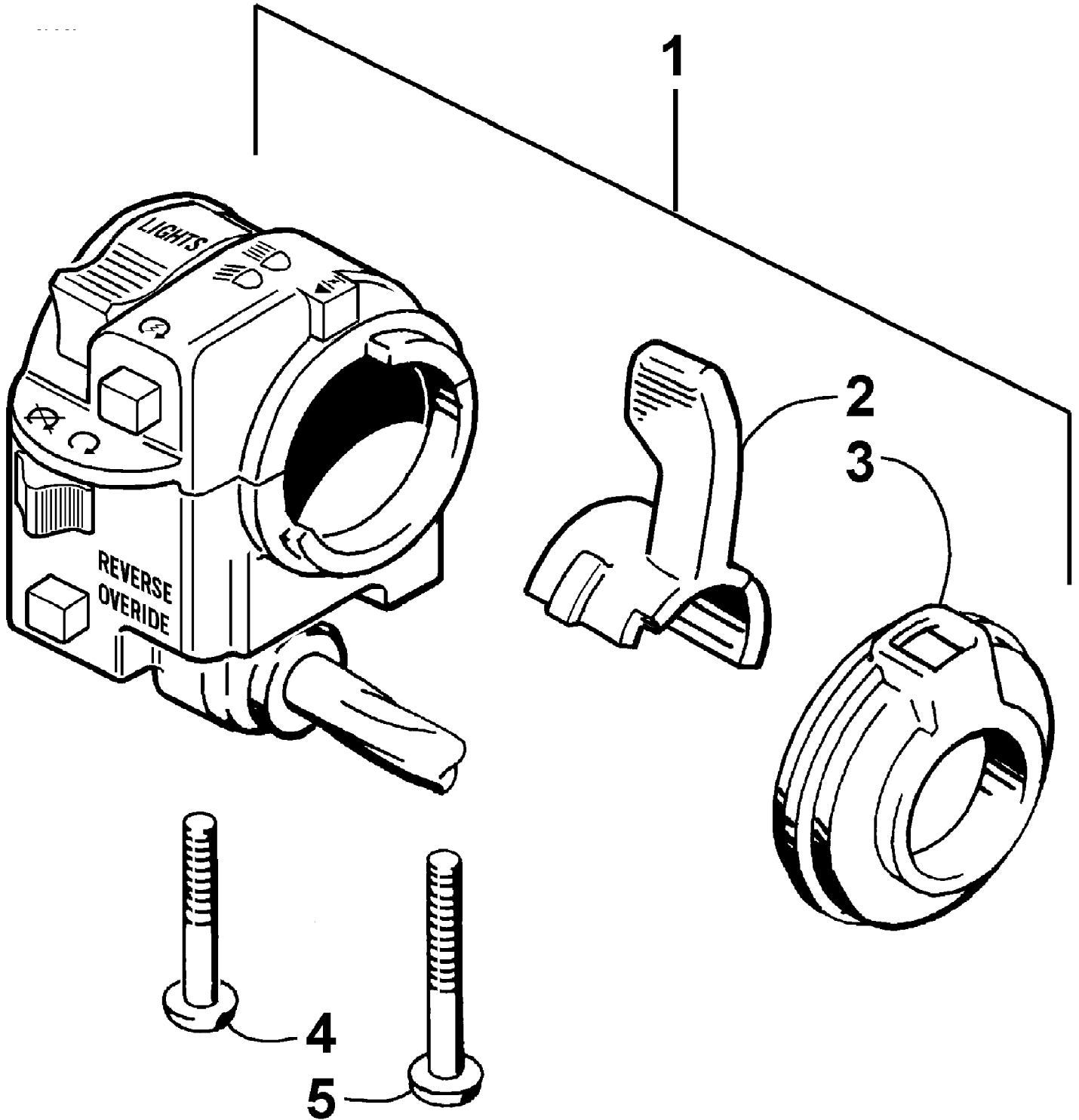


2002 ATV 375 AUTOMATIC TRANSMISSION (4X4 GREEN) (A2002ATG4BUS) Page 13 of 89
CASE/BELT COOLING ASSEMBLY

Ref #	Part Number	Qty	S/P/F	Description
1	0413-042	1		Duct, Belt Cooling - Front
2	0413-051	1		Duct, Belt Cooling - Rear
3	0413-048	1		Boot, Belt Cooling - Front
4	0423-365	1		Clip, Mounting
5	0423-364	1		Clip, Mounting
6	0123-010	2	/P	Nut, Expansion
7	0623-121	2		Screw, Machine
8	0423-380	1	/P	Clamp, Duct
9	3402-449	3	/P	Clamp, Duct
10	0413-050	1		Boot, Belt Cooling - Rear
11	0123-788	1	/P	Cable Tie - 7.5 in.
12	0123-903	1		Cable Tie - 11.5 in.

2002 ATV 375 AUTOMATIC TRANSMISSION (4X4 GREEN) (A2002ATG4BUS) Page 15 of 89
CLUTCH/V-BELT/MAGNETO COVER ASSEMBLY

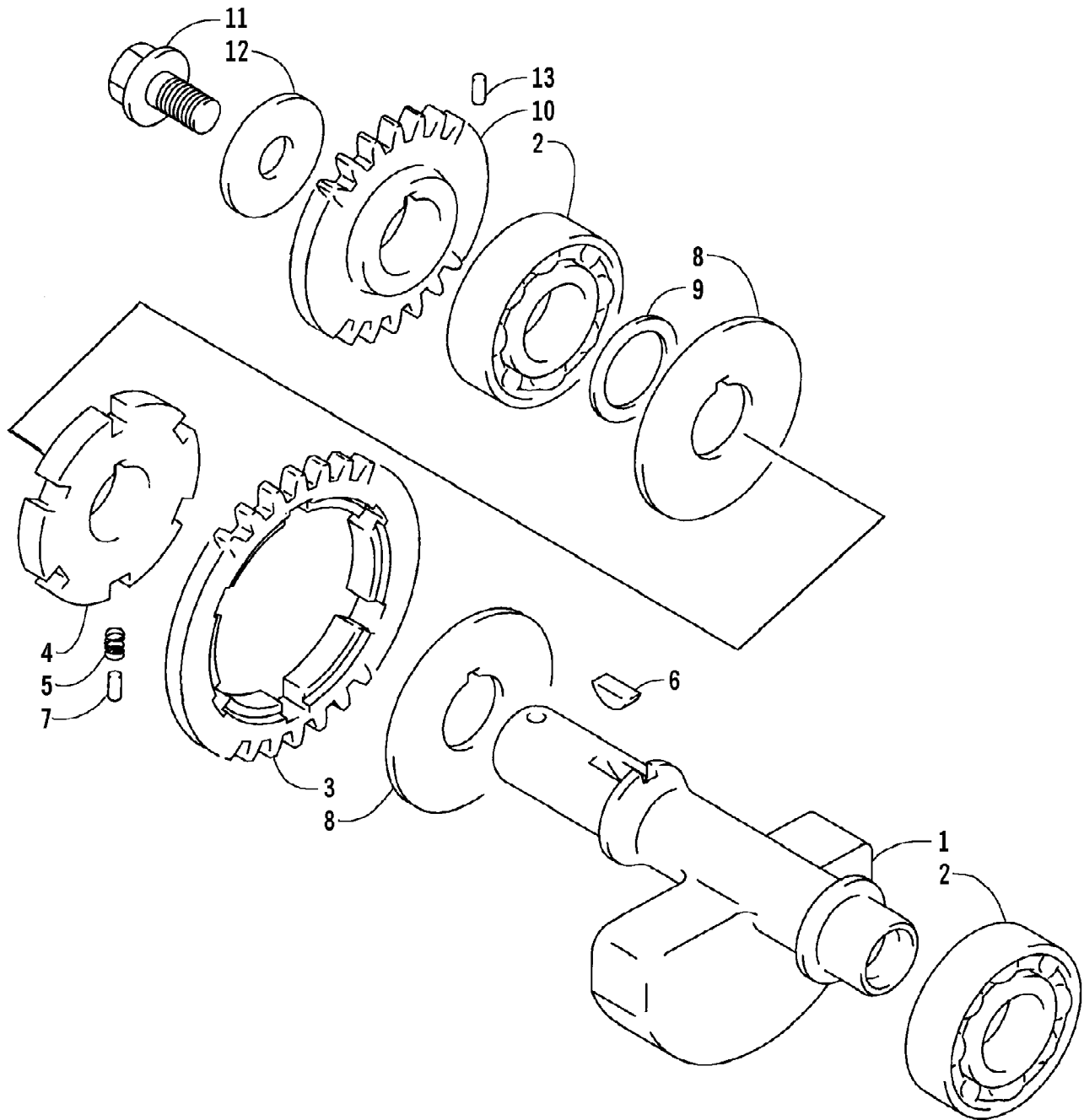
Ref #	Part Number	Qty	S/P/F	Description
1	3402-583	1		Cover, Clutch
2	3402-589	1		Gasket
3	3423-088	6		Pin, Dowel
4	3423-098	26	S	Bolt
5	3423-392	1		Bolt
6	3402-586	1		Cover, V-Belt
7	3402-591	1		Gasket, V-Belt Cover
8	0693-327	14		Bolt
9	3004-552	3	S	Screw
10	3004-705	1	S	Plug, Drain
11	3402-444	1		Gasket, Drain Plug
12	3402-445	1		Plate, Air Intake
13	3402-013	1	/P	Gasket
14	3402-585	1		Cover, Magneto
15	3402-590	1		Gasket, Magneto Cover
16	3402-593	1		Stick, Oil Level
17	3423-055	1		O-Ring, Oil Level Stick
18	3423-307	2	S	Bolt
19	3423-430	1		Bolt
20	3004-630	1	S	Plug, Oil Gallery
21	3402-444	1		Gasket
22	3402-341	1		Plug



2002 ATV 375 AUTOMATIC TRANSMISSION (4X4 GREEN) (A2002ATG4BUS) Page 17 of 89
CONTROL SWITCH HOUSING ASSEMBLY

Ref #	Part Number	Qty	S/P/F	Description
1	0409-022	1		Switch, Control - Assembly (inc. 2-5)
2	0409-025	1		Lever, Choke
3	0409-026	1		Cover, Choke Lever
4	0409-027	1		Screw, Cap
5	0409-028	1		Screw

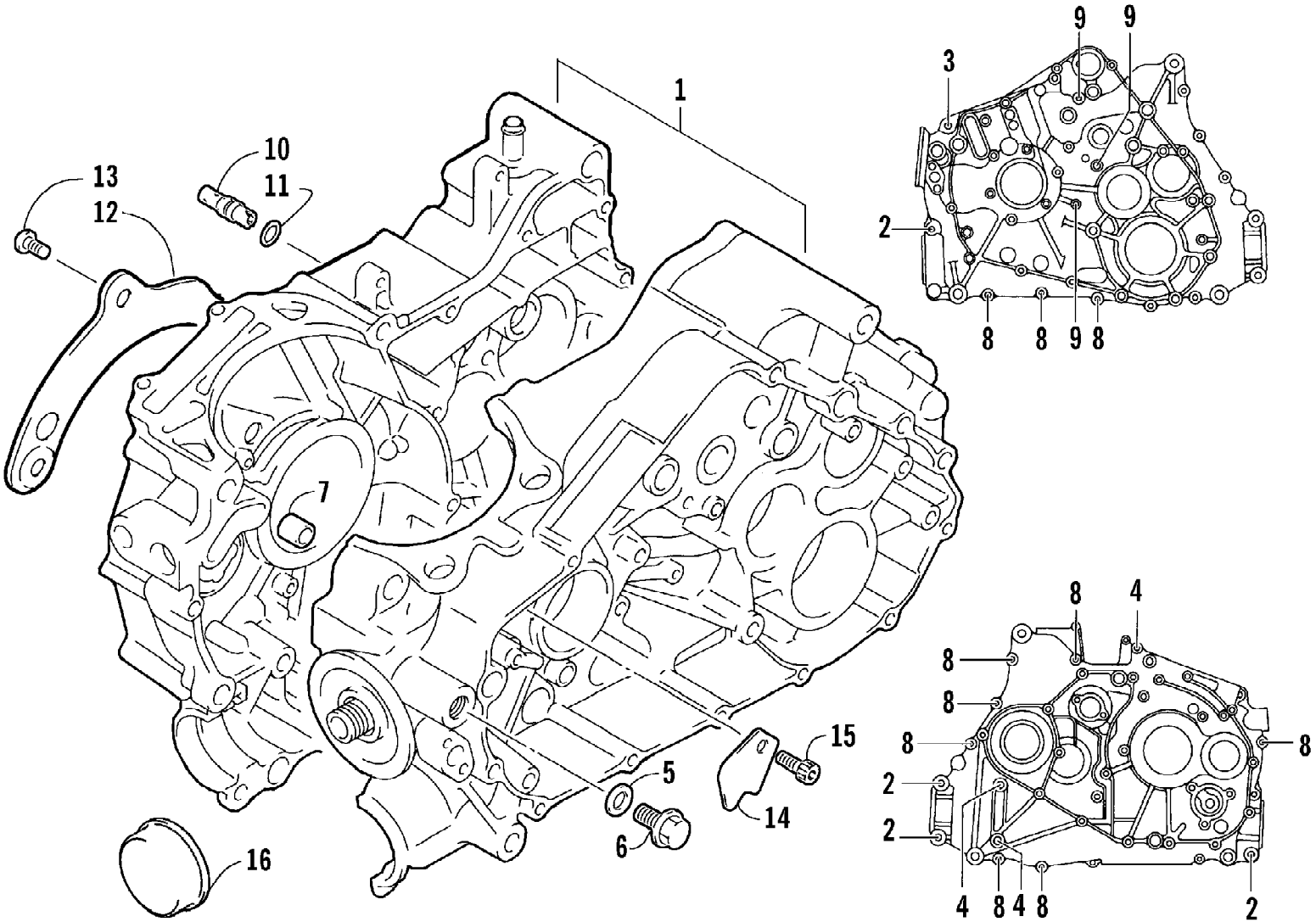
2002 ATV 375 AUTOMATIC TRANSMISSION (4X4 GREEN) (A2002ATG4BUS) Page 18 of 89
CRANK BALANCER ASSEMBLY



2002 ATV 375 AUTOMATIC TRANSMISSION (4X4 GREEN) (A2002ATG4BUS) Page 19 of 89
CRANK BALANCER ASSEMBLY

Ref #	Part Number	Qty	S/P/F	Description
1	3402-605	1		Balancer, Crank
2	3402-553	2	/P	Bearing
3	3402-607	1		Gear, Driven - No. 1
4	3402-608	1		Gear, Driven - No. 2
5	3402-090	2		Spring, Driven Gear
6	3004-540	1	/P	Key
7	3423-106	3	/P	Pin, Driven Gear
8	3423-441	2		Washer, Driven Gear No. 1
9	3423-446	1		Washer, Driven Gear No. 2
10	3402-617	1		Gear, Oil Pump Drive
11	3423-400	1		Bolt, Drive Gear
12	3423-401	1		Washer, Drive Gear
13	3423-110	1		Pin, Drive Gear

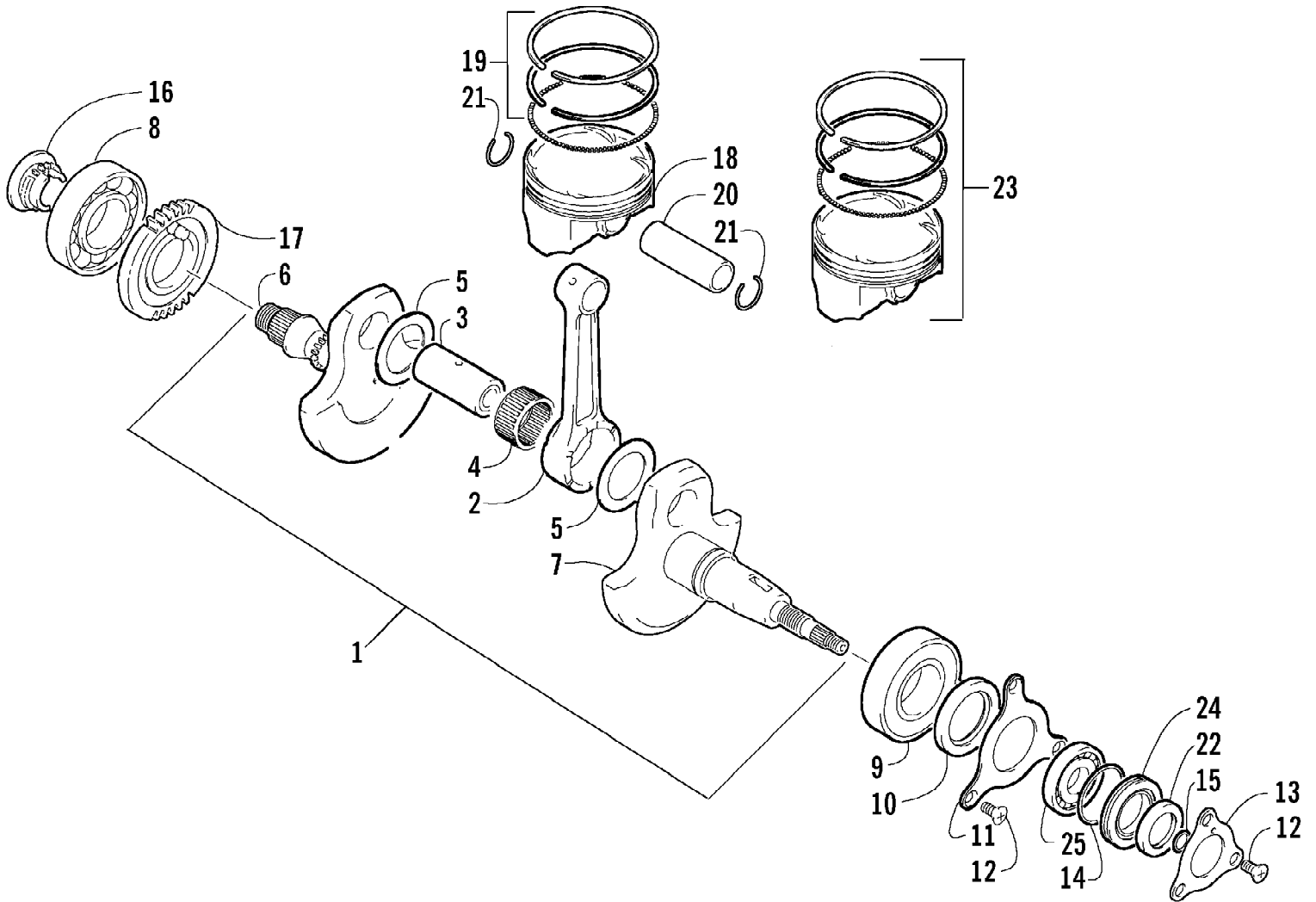
2002 ATV 375 AUTOMATIC TRANSMISSION (4X4 GREEN) (A2002ATG4BUS) Page 20 of 89
CRANKCASE ASSEMBLY



2002 ATV 375 AUTOMATIC TRANSMISSION (4X4 GREEN) (A2002ATG4BUS) Page 21 of 89
CRANKCASE ASSEMBLY

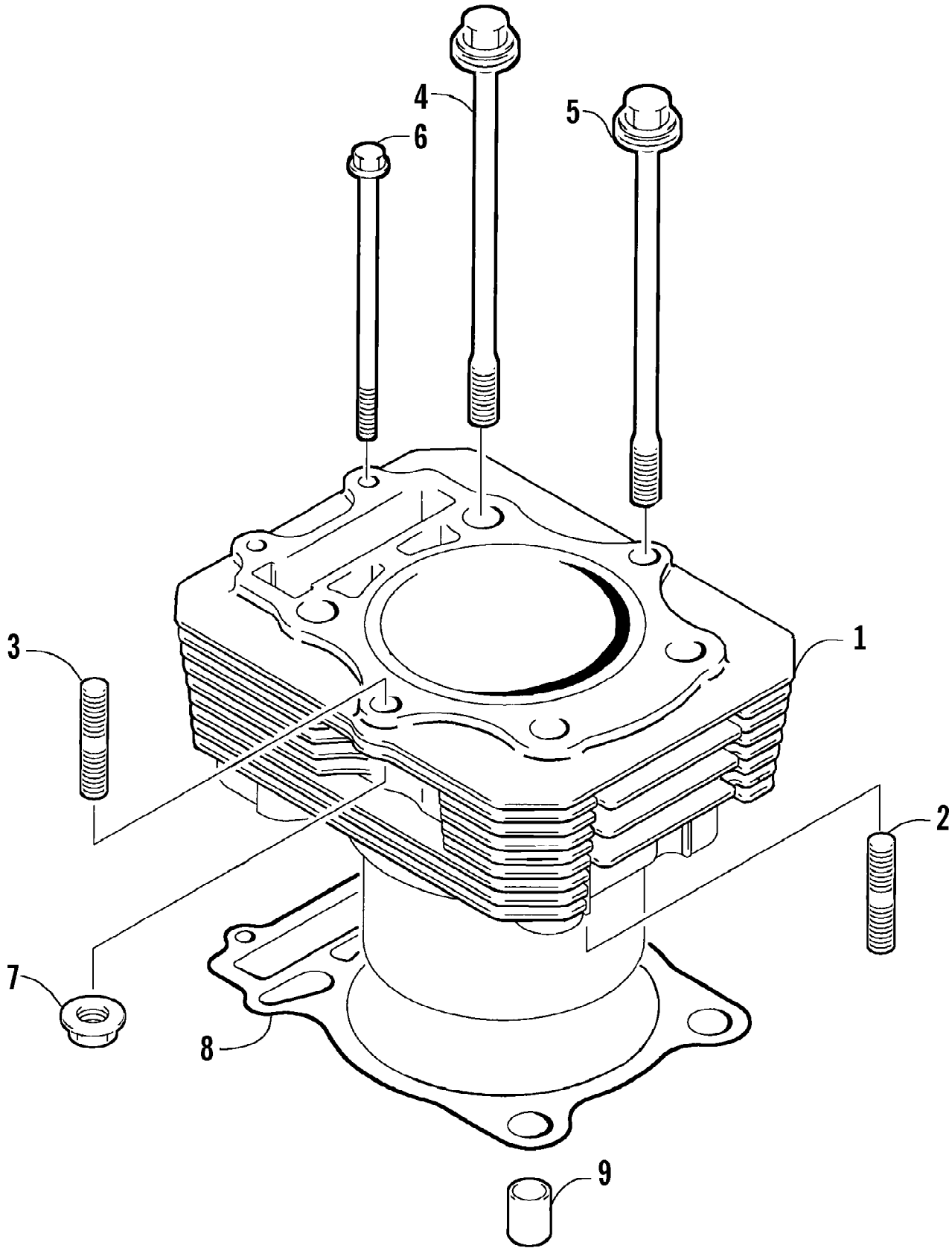
Ref #	Part Number	Qty	S/P/F	Description
1	3402-580	1		Crankcase Assembly (inc. 2-9)
2	3004-880	4		Bolt
3	3005-332	1		Bolt
4	3005-310	3	S	Bolt
5	3402-012	1		Gasket, Oil Pressure Plug
6	3402-214	1		Plug, Oil Pressure
7	3423-088	2		Pin, Dowel
8	3423-091	10	S	Bolt
9	3423-097	3		Bolt
10	3402-691	1		Jet, Oil Gallery
11	3423-051	1		O-Ring, Oil Gallery Jet
12	3402-581	1		Plate, Oil Guide - Right
13	3004-552	1	S	Screw, Oil Guide Plate - Right
14	3402-582	1		Plate, Oil Guide - Left
15	3423-121	1	S	Bolt, Oil Guide Plate - Left
16	3423-208	1		Plug, Crankcase (2X4)

2002 ATV 375 AUTOMATIC TRANSMISSION (4X4 GREEN) (A2002ATG4BUS) Page 22 of 89
CRANKSHAFT ASSEMBLY



2002 ATV 375 AUTOMATIC TRANSMISSION (4X4 GREEN) (A2002ATG4BUS) Page 23 of 89
CRANKSHAFT ASSEMBLY

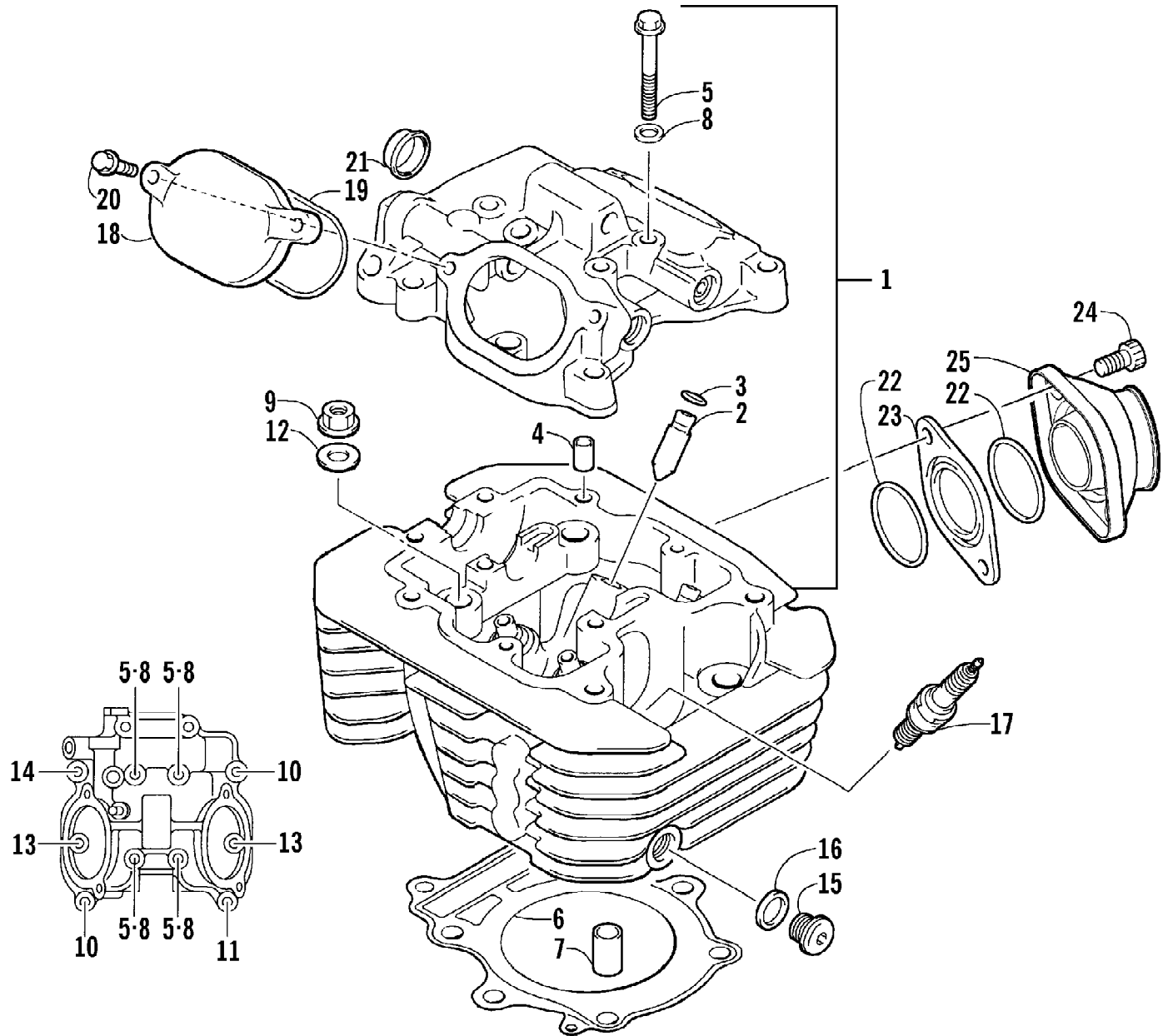
Ref #	Part Number	Qty	S/P/F	Description
1	3402-598	1	S	Crankshaft Assembly (inc. 2-7)
2	3402-597	1		Rod, Connecting
3	3402-599	1		Pin, Crank
4	3402-571	1		Bearing
5	3423-440	2		Washer
6	3402-600	1	S	Crankshaft - Right
7	3402-601	1		Crankshaft - Left
8	3402-180	1	S	Bearing - Right
9	3402-566	1		Bearing - Middle
10	3402-573	1		Seal, Crankshaft Oil
11	3402-602	1		Retainer, Crankshaft Oil Seal - Middle
12	3423-018	6		Screw, Retainer
13	3402-188	1	/P	Retainer, Crankshaft Oil Seal - Left
14	3423-063	1		O-Ring
15	3423-053	1	/P	O-Ring
16	3402-610	1		Sprocket, Cam Chain Drive
17	3402-606	1	S	Gear, Crank Balancer Drive
18	3402-594	1		Piston
19	3402-595	1		Ring, Piston - Set
20	3402-596	1		Pin, Piston
21	3003-439	2	/P	Circlip
22	3402-070	1		Seal, Oil
23	3436-015	1	F	Piston Set (Oversized 0.50 mm)
24	3402-119	1	S	Spacer
25	3402-051	1		Bearing



2002 ATV 375 AUTOMATIC TRANSMISSION (4X4 GREEN) (A2002ATG4BUS) Page 25 of 89
CYLINDER ASSEMBLY

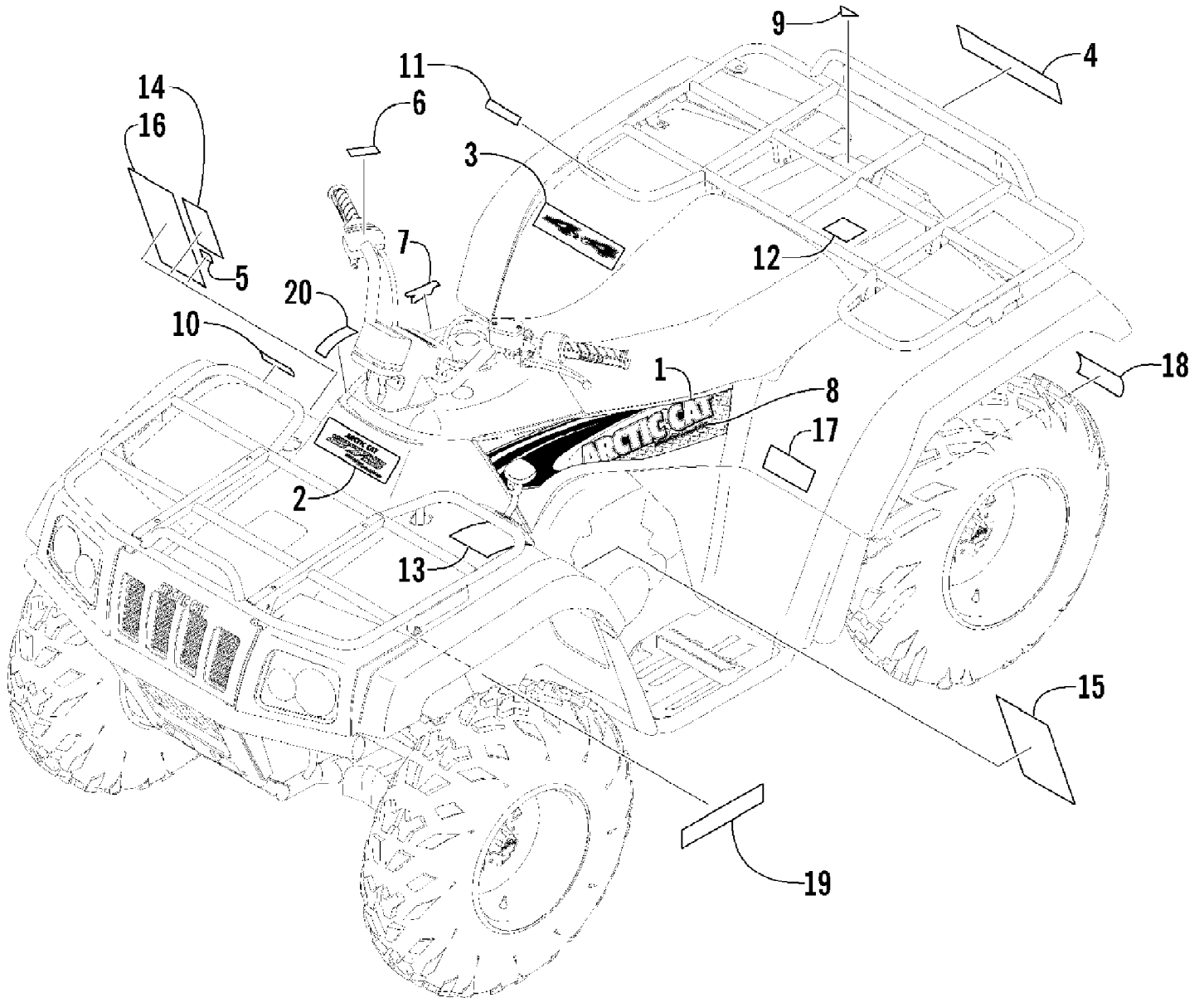
Ref #	Part Number	Qty	S/P/F	Description
1	3402-578	1	S	Cylinder
2	3423-384	2	S	Bolt, Stud
3	3004-778	2	S	Bolt, Stud
4	3423-431	2		Bolt
5	3423-432	2		Bolt
6	3423-427	2		Bolt
7	3004-488	4	S/P	Nut
8	3402-579	1		Gasket, Cylinder
9	3423-088	2		Pin, Dowel

2002 ATV 375 AUTOMATIC TRANSMISSION (4X4 GREEN) (A2002ATG4BUS) Page 26 of 89
CYLINDER HEAD ASSEMBLY



2002 ATV 375 AUTOMATIC TRANSMISSION (4X4 GREEN) (A2002ATG4BUS) Page 27 of 89
CYLINDER HEAD ASSEMBLY

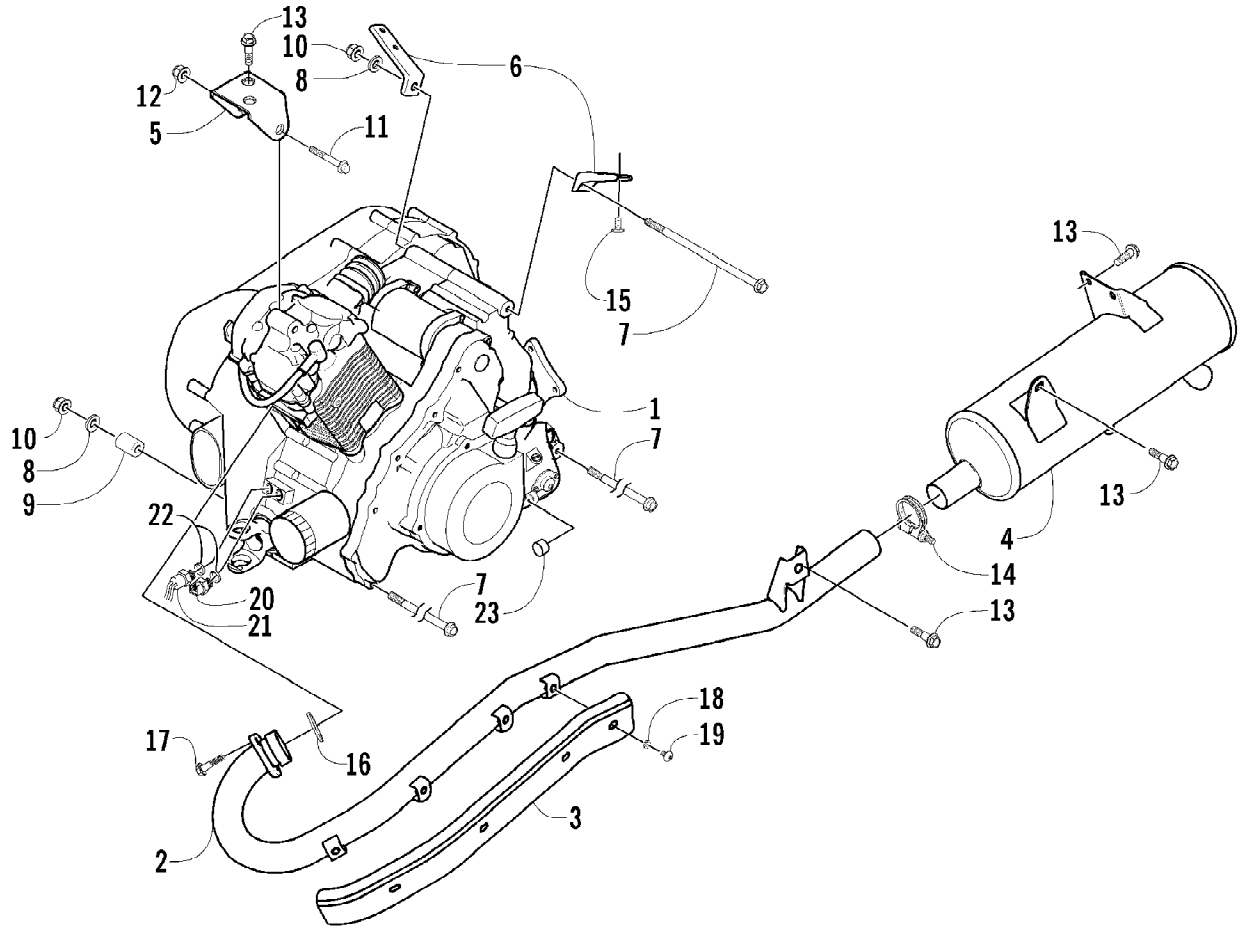
Ref #	Part Number	Qty	S/P/F	Description
1	3402-576	1	S	Head, Cylinder - Assembly (inc. 2-5)
2	3402-099	2		Guide, Valve
3	3423-068	4		Ring, Valve Guide
4	3423-043	2	/P	Pin, Dowel
5	3423-006	4		Screw, Cap
6	3402-577	1		Gasket, Cylinder Head
7	3423-449	2		Pin, Dowel
8	3003-290	4	/P	Gasket
9	3423-326	2	S	Nut, Cylinder Head
10	3423-007	2	S	Screw, Cap
11	3423-429	1		Screw, Cap
12	3423-439	4	S	Washer, Cylinder Head Nut
13	3004-376	2	S/P	Screw, Cap
14	3008-376	1	S	Screw, Cap
15	3423-453	1		Plug, Oil Gallery
16	3402-011	1		Gasket, Oil Gallery Plug
17	0217-708	1		Spark Plug (NGK CR7E)
18	3402-100	2		Cap, Inspection
19	3402-101	2		O-Ring
20	3004-341	4	S/P	Screw, Cap - Inspection Cap
21	3402-035	1		Plug, Head
22	3423-353	2	/P	O-Ring
23	3402-616	1		Insulator, Intake Manifold
24	3004-893	2		Screw
25	0570-067	1	S	Manifold, Intake
	3402-048	1	F	Plug, Frost



2002 ATV 375 AUTOMATIC TRANSMISSION (4X4 GREEN) (A2002ATG4BUS) Page 29 of 89
DECALS

Ref #	Part Number	Qty	S/P/F	Description
1	0411-365	1		Decal, Side - Right (Red)
	0411-366	1		Decal, Side - Left (Red)
	0411-367	1		Decal, Side - Right (Green)
	0411-368	1		Decal, Side - Left (Green)
2	0411-429	1		Decal, Front (Red)
	0411-428	1		Decal, Front (Green)
3	0411-369	1		Decal "4X4" (4X4) (Red)
	0411-370	1		Decal "4X4" (4X4) (Green)
4	0411-386	1		Decal, "Arctic Cat"
5	0411-011	1		Decal, Caution - Electrical (4X4)
6	0411-324	1		Decal, Instruction - Start In Gear
7	0411-291	1		Decal, "Duramatic"
8	0411-377	2		Decal, "Automatic"
9	3611-002	1		Decal, "Made In U.S.A."
10	0411-006	1		Decal, Warning - Front Rack Load
11	0411-007	1		Decal, Warning - Rear Rack Load
12	0411-435	1		Decal, Warning - Passenger
13	0411-401	1		Decal, Warning - Age
14	0411-008	1	/P	Decal, Warning - Reverse/Pre-Ride
15	0411-218	1		Decal, Warning - General
16	0411-045	1		Decal, Warning - Turn
17	0411-427	1		Decal, Warning - Tire Pressure
18	0411-267	1		Decal, Warning - Towing
19	0411-431	1		Decal, CA Emissions
20	0411-426	1		Decal, Warning - Clutch Cover

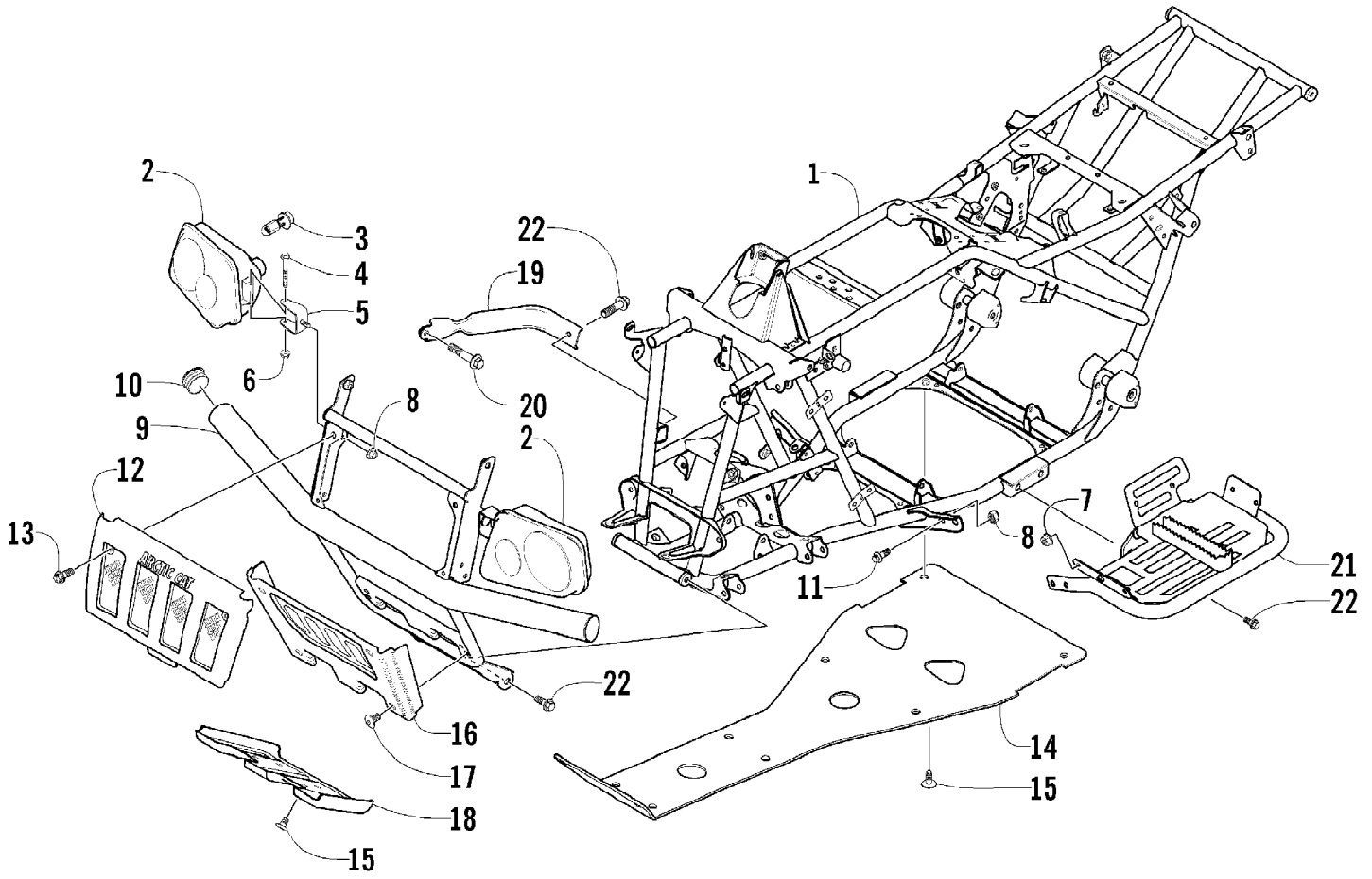
2002 ATV 375 AUTOMATIC TRANSMISSION (4X4 GREEN) (A2002ATG4BUS) Page 30 of 89
ENGINE AND EXHAUST



2002 ATV 375 AUTOMATIC TRANSMISSION (4X4 GREEN) (A2002ATG4BUS) Page 31 of 89
ENGINE AND EXHAUST

Ref #	Part Number	Qty	S/P/F	Description
1	0462-018	1	/P	Engine
1	0462-017	1	/P	Engine (4X4)
2	0512-040	1		Pipe, Exhaust
3	0412-112	1		Cover, Exhaust
4	0412-102	1	S	Muffler
5	0506-631	1		Bracket, Engine - Upper
6	0406-935	1	S	Bracket, Engine - Right
6	0406-936	1	S	Bracket, Engine - Left
7	3423-009	3	/P	Screw, Cap
8	0423-050	4		Washer, Engine
9	0423-042	2	S	Spacer, Engine
10	8428-002	3		Nut, Lock
11	8408-860	1		Screw, Cap
12	8424-802	3		Nut
13	8408-816	7		Screw, Cap
14	0423-150	1		Clamp, Exhaust
15	8408-616	4		Screw, Cap
16	0412-007	1	/P	Seal, Exhaust
17	8408-820	4	/P	Screw, Cap
18	8053-211	2	S	Washer, Lock - External Tooth
19	8477-610	2		Screw, Machine
20	3430-033	1		Switch, Cooling Fan
21	3530-037	1	/P	Switch, Oil Light
22	3402-556	2	/P	Gasket, Switch
23	0402-160	1		Cap (2X4)

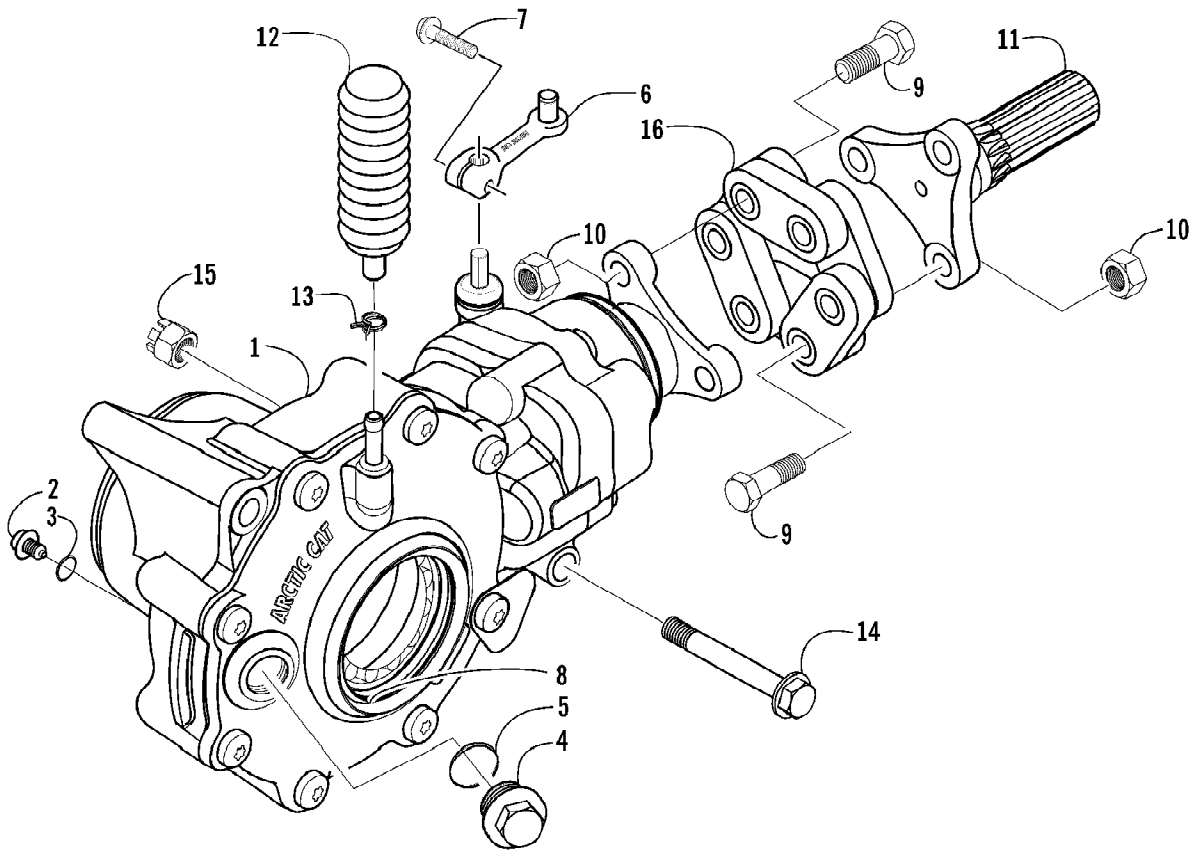
2002 ATV 375 AUTOMATIC TRANSMISSION (4X4 GREEN) (A2002ATG4BUS) Page 32 of 89
FRAME AND RELATED PARTS



2002 ATV 375 AUTOMATIC TRANSMISSION (4X4 GREEN) (A2002ATG4BUS) Page 33 of 89
FRAME AND RELATED PARTS

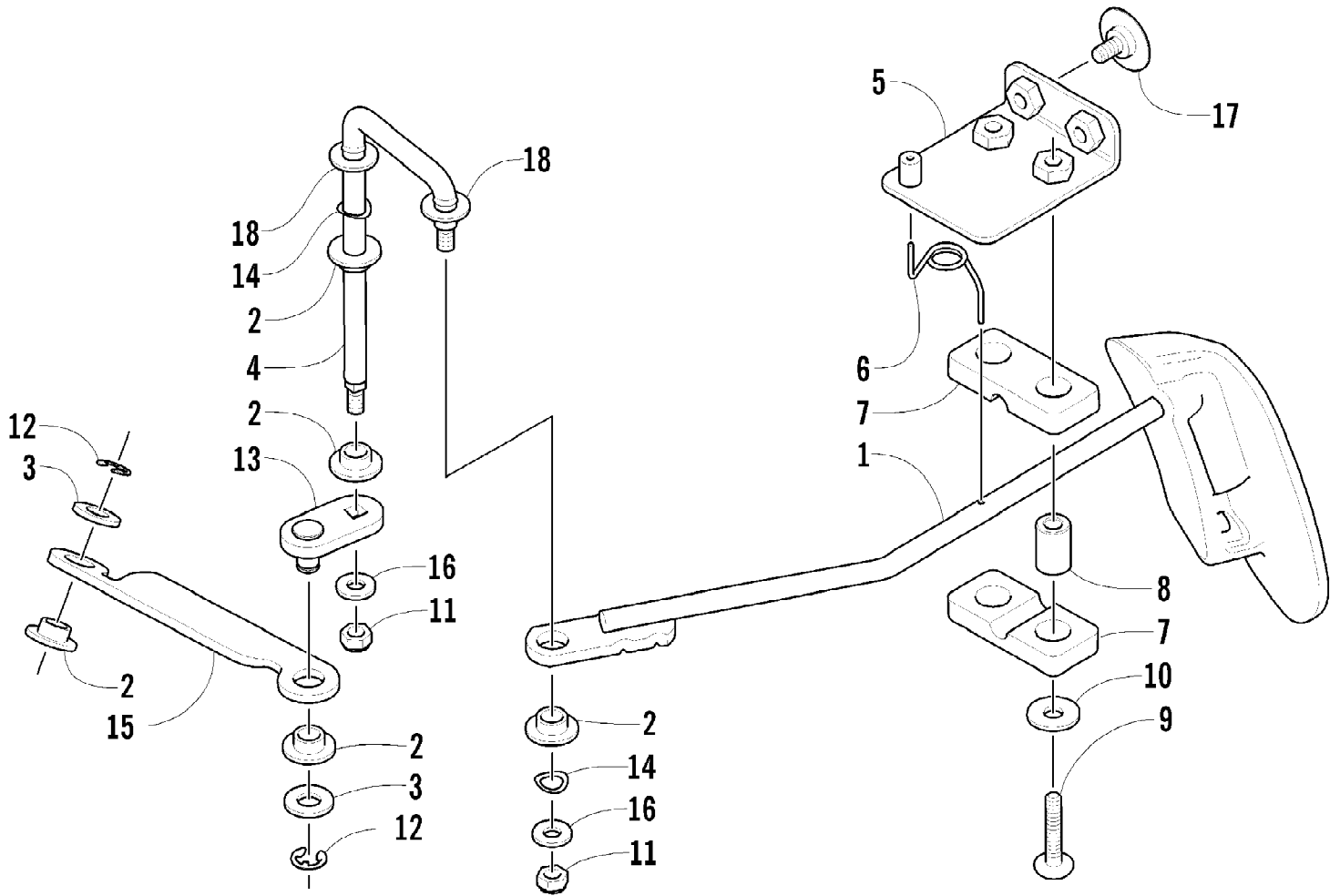
Ref #	Part Number	Qty	S/P/F	Description
1	0506-635	1		Frame, Main
2	0409-032	2		Headlight Assembly - Right (inc. 3-6)
2	0409-031	2		Headlight Assembly - Left (inc. 3-6)
3	0409-045	4		Bulb, Headlight
4	8410-860	2		Screw, Cap
5	0406-945	2		Bracket, Headlight Mounting
6	0423-375	2		Nut, Flange
7	8424-602	2	/P	Nut, Flange
8	8424-802	6		Nut
9	0506-595	1	S	Bumper
9	0506-544	1		Bumper (4X4)
10	0406-130	2		Cap, Bumper (4X4)
11	8408-816	4		Screw, Cap
12	0406-832	1		Grille, Upper
13	0423-361	2		Screw, Machine
14	0406-864	1		Panel, Belly
15	0423-101	AR		Screw, Body
16	0406-833	1	S	Grille, Bumper - Lower
17	0423-362	4		Screw, Machine
18	0406-834	1		Plate, Skid
19	0506-653	2	S	Channel, Bumper Mounting
20	8408-812	2		Screw, Cap
21	0506-534	1		Footrest - Right
21	0506-728	1		Footrest - Left
22	8409-020	8	/P	Screw, Cap

2002 ATV 375 AUTOMATIC TRANSMISSION (4X4 GREEN) (A2002ATG4BUS) Page 34 of 89
FRONT DRIVE GEARCASE ASSEMBLY (4X4)



2002 ATV 375 AUTOMATIC TRANSMISSION (4X4 GREEN) (A2002ATG4BUS) Page 35 of 89
FRONT DRIVE GEARCASE ASSEMBLY (4X4)

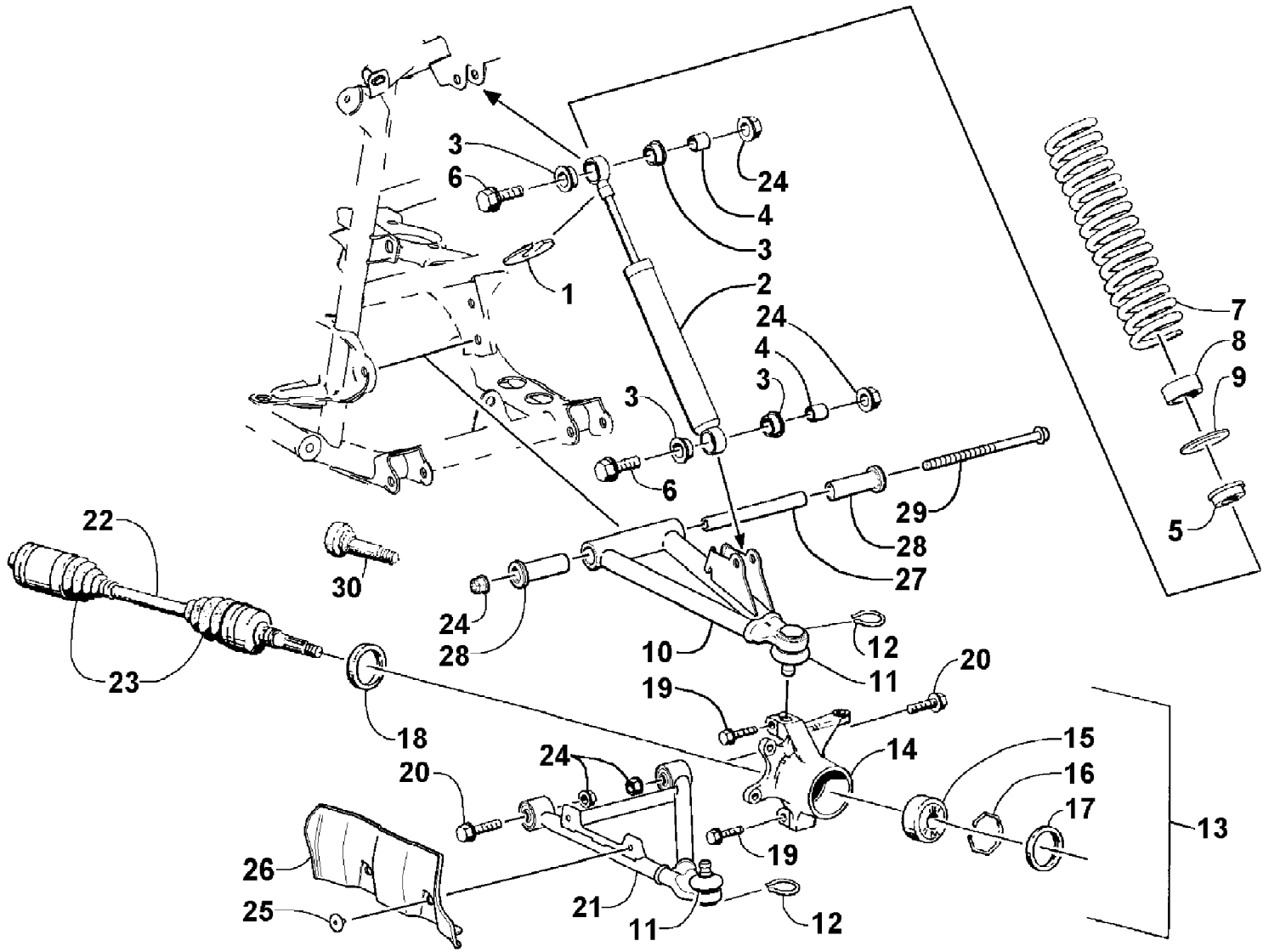
Ref #	Part Number	Qty	S/P/F	Description
1	0502-119	1		Gearcase, Front Drive - Assembly (inc. 2-8)
2	0402-450	1	S	Plug, Magnetic (inc. 3)
3	0423-153	1		O-Ring
4	0402-333	1	/P	Plug, Fill (inc. 5)
5	0423-154	1		O-Ring
6	0502-092	1		Arm, Selector
7	8476-620	1		Screw, Machine
8	0402-394	2	S	Seal
9	3423-182	6	S	Screw, Cap
10	3004-491	6	S/P	Nut
11	0502-321	1		Shaft, Propeller
12	0402-147	1	S	Bladder, Gearcase
13	0423-315	1		Clamp, Hose
14	3423-010	2	/P	Screw, Cap
15	8428-002	2		Nut, Lock
16	3435-007	1		Coupler, Propeller Shaft



2002 ATV 375 AUTOMATIC TRANSMISSION (4X4 GREEN) (A2002ATG4BUS) Page 37 of 89
 FRONT DRIVE SHIFT LINKAGE ASSEMBLY (4X4)

Ref #	Part Number	Qty	S/P/F	Description
1	0502-291	1		Shifter
2	0423-091	5		Bushing, Shifter
3	8050-247	2	/P	Washer
4	0402-821	1		Arm, Shifter
5	0502-234	1		Plate, Mounting
6	0402-828	1		Spring, Torsion
7	0406-363	2		Bushing
8	0402-256	2		Collar
9	8476-630	2		Screw, Machine
10	8050-222	2	/P	Washer
11	0624-250	2		Nut, Lock
12	0124-057	2	/P	E-Ring
13	0502-295	1		Arm, Selector
14	0423-368	2		Washer, Wave
15	0402-824	1	S	Cross-Link
16	0423-348	2		Washer
17	0423-101	2		Screw, Body
18	0123-053	2	/P	Washer

2002 ATV 375 AUTOMATIC TRANSMISSION (4X4 GREEN) (A2002ATG4BUS) Page 38 of 89
FRONT SUSPENSION ASSEMBLY



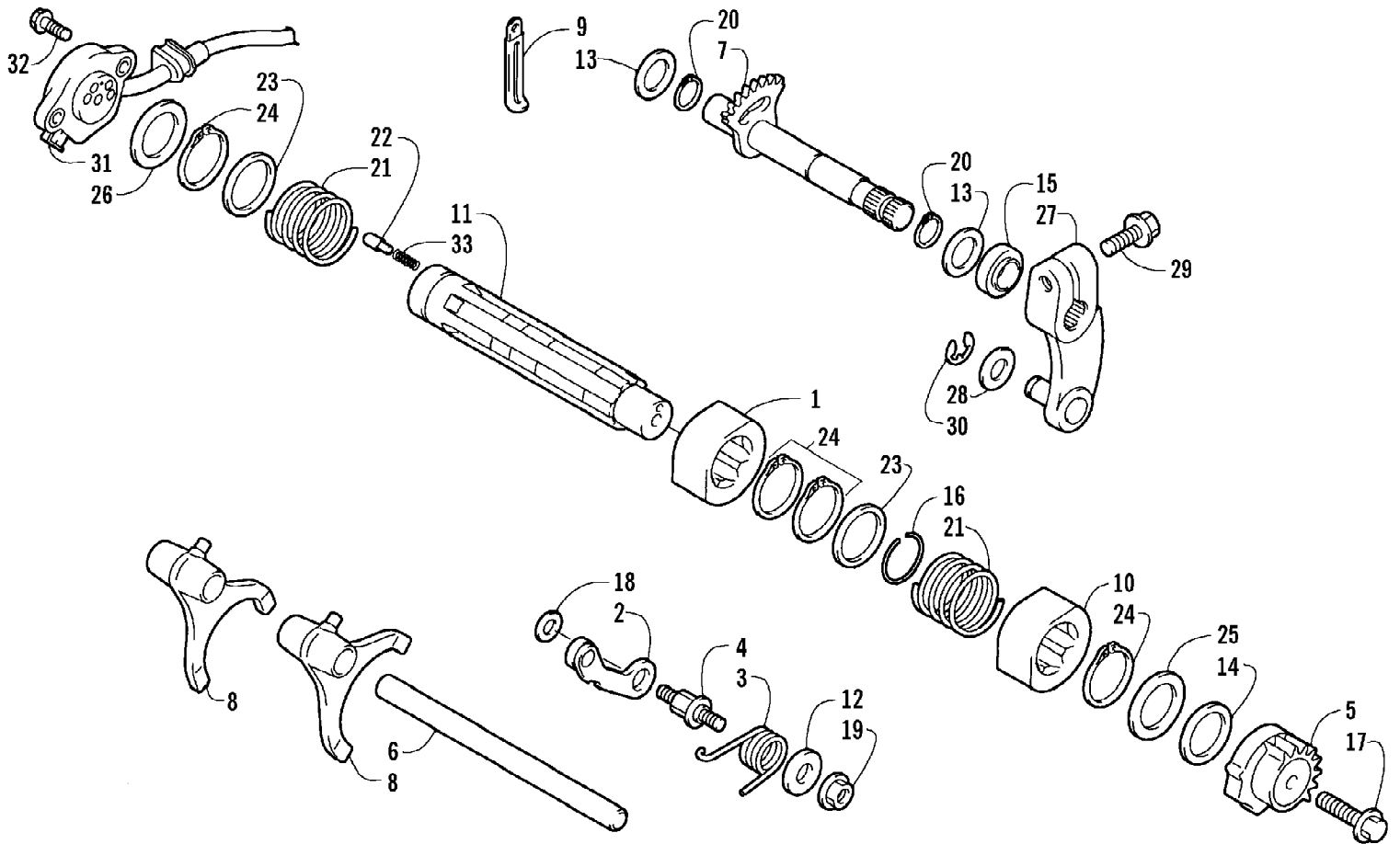
2002 ATV 375 AUTOMATIC TRANSMISSION (4X4 GREEN) (A2002ATG4BUS) Page 39 of 89
FRONT SUSPENSION ASSEMBLY

Ref #	Part Number	Qty	S/P/F	Description
1	1603-889	2	/P	Retainer, Spring
2	0403-082	2		Shock Absorber - Front (inc. 3-5)
3	0604-310	8		Bushing, Shock Absorber
4	0403-028	4		Sleeve, Shock
5	0403-027	2		Retainer, Spring - Lower
6	8409-040	4		Screw, Cap
7	0403-083	2		Spring, Shock Absorber
8	0403-098	2	S	Collar, Spring
9	0403-013	2		Washer, Spring
10	0503-120	1	S	A-Arm, Upper Right - Assembly (inc. 11-12 and 27-28)
10	0503-121	1	S	A-Arm, Upper Left - Assembly (inc. 11-12 and 27-28)
11	0405-068	4	S	Ball Joint - Front
12	0423-009	4	/P	Clip, Ball Joint
13	0505-026	1	S/P	Knuckle - Assembly - Right (inc. 14-18)
13	0505-027	1	S/P	Knuckle - Assembly - Left (inc. 14-18)
14	0505-062	1	S	Knuckle, Steering - Right
14	0505-063	1	S	Knuckle, Steering - Left
15	0402-275	2	/P	Bearing, Wheel Hub - Front
16	0423-034	2		Clip, Bearing
17	0402-089	2		Seal, Wheel Bearing - Front
18	0402-069	2		Seal, Wheel Bearing - Front
19	8409-030	4		Screw, Cap
20	8409-060	4		Screw, Cap
21	0503-140	1	S	A-Arm, Lower Right (inc. 11-12)
21	0503-141	1	S	A-Arm, Lower Left (inc. 11-12)
21	0503-118	1	S	A-Arm, Lower Right (inc. 11-12) (4X4)
21	0503-119	1	S	A-Arm, Lower Left (inc. 11-12) (4X4)
22	0402-365	2	S	Axle, Drive - Front Right (4X4)
23	0436-276	4	S	Repair Kit, Boot - Front Axle (4X4)
24	8428-002	10		Nut, Lock
25	0423-101	4		Screw, Body (4X4)
26	0406-944	1		Guard, Boot - Axle - Right (4X4)
26	0406-927	1		Guard, Boot - Axle - Left (4X4)
27	0403-080	2		Collar
28	0403-081	4	S	Bushing
29	0423-334	2		Screw, Cap
30	0402-183	2		Axle, Stub (2X4)

2002 ATV 375 AUTOMATIC TRANSMISSION (4X4 GREEN) (A2002ATG4BUS) Page 41 of 89
GAS TANK ASSEMBLY

Ref #	Part Number	Qty	S/P/F	Description
1	0570-066	1	/P	Tank, Gas - Assembly (inc. 2-10)
2	0470-438	1	/P	Cap, Gas Tank (inc. 3)
3	0109-733	1	/P	Gasket, Tank Cap
4	0470-444	1	S	Gauge, Fuel w/Gasket (Press-Fit)
5	0423-398	2		Nut, Lock
6	0470-416	1	/P	Hose, Vent
7	0610-007	AR	/P	Hose, Gasline - 25 ft
8	0423-152	2		Clamp, Hose
9	0470-445	1	/P	Valve, Fuel Shut-Off (inc. 10)
10	0470-364	1		Gasket, Fuel Shut-Off Valve
11	0470-408	1		Knob, Fuel Shut-Off Valve
12	0423-146	1		Screw, Fuel Shut-Off Valve Knob
13	0423-130	2		Screw, Shoulder

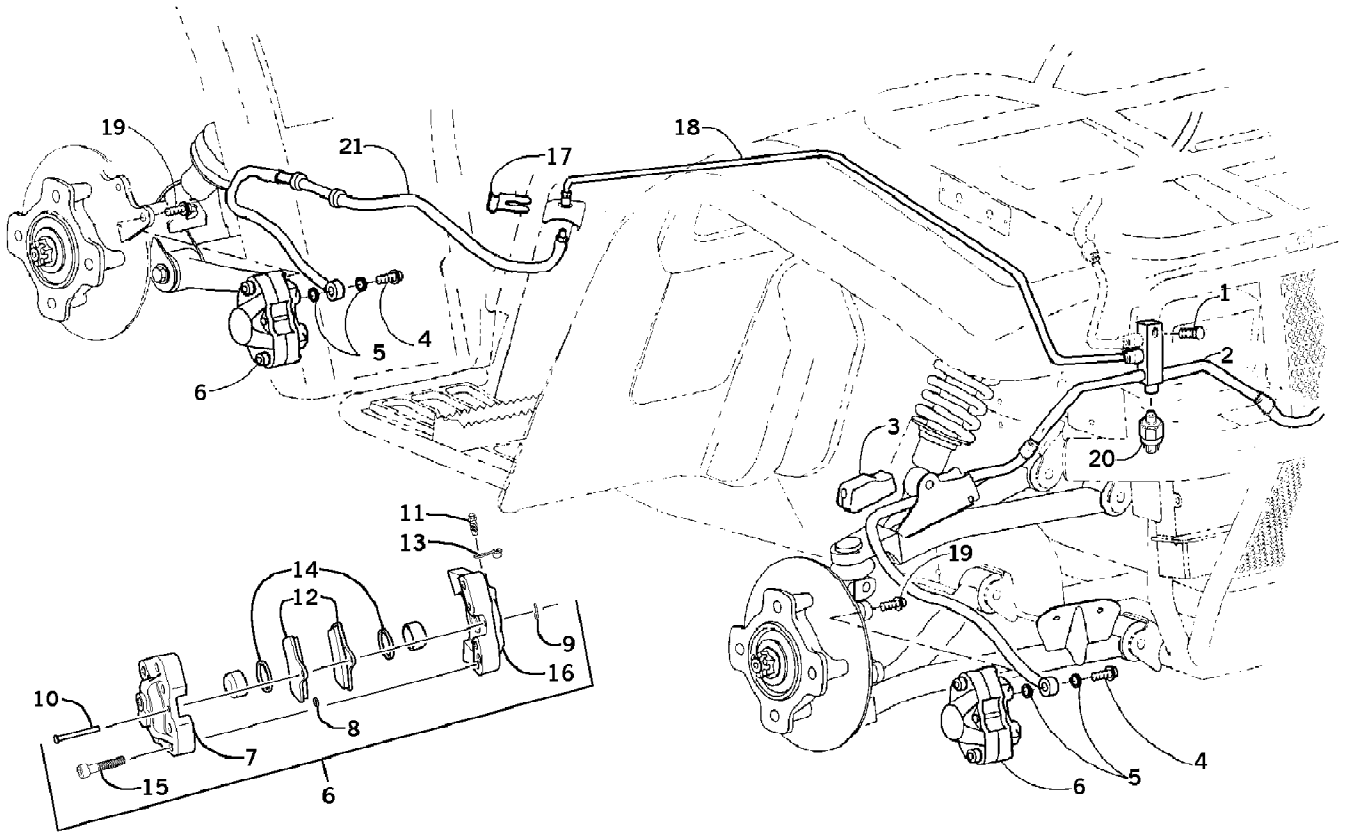
2002 ATV 375 AUTOMATIC TRANSMISSION (4X4 GREEN) (A2002ATG4BUS) Page 42 of 89
GEAR SHIFTING ASSEMBLY



2002 ATV 375 AUTOMATIC TRANSMISSION (4X4 GREEN) (A2002ATG4BUS) Page 43 of 89
GEAR SHIFTING ASSEMBLY

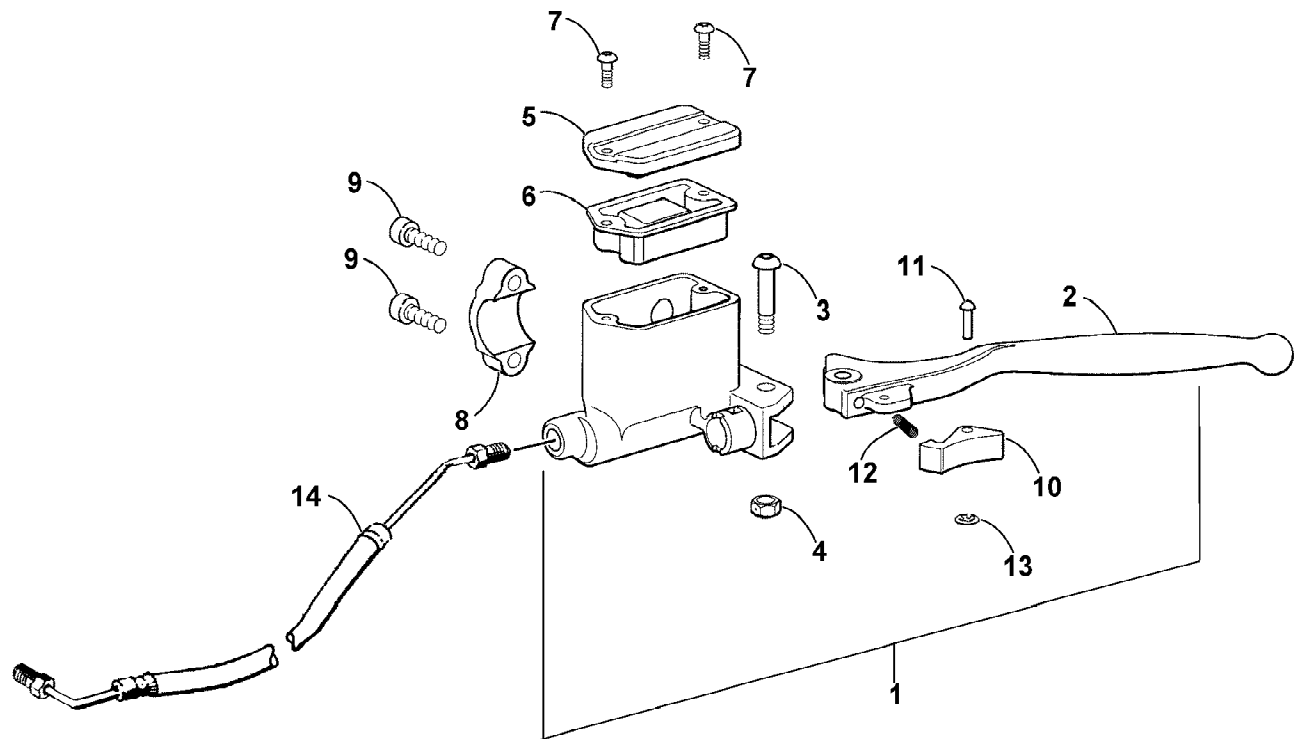
Ref #	Part Number	Qty	S/P/F	Description
1	3402-640	1		Cam, Reverse
2	3446-043	1		Stopper, Cam
3	3446-283	1		Spring, Cam Stopper
4	3446-048	1		Support, Cam Stopper
5	3402-642	1		Plate, Gear Shift Cam
6	3402-643	1		Shaft, Shift Fork
7	3402-644	1		Shaft, Sub-Gear Shift
8	3446-073	2		Fork, Shift
9	3002-964	1	/P	Clamp, Wire
10	3402-670	1		Cam, Gear Shift
11	3446-281	1		Shaft, Gear Shift
12	3423-438	1		Washer, Cam Stopper Spring
13	1691-043	2		Washer, Sub-Gear Shift Shaft
14	3423-446	1		Washer, Gear Shift Cam Plate
15	3402-076	1		Seal, Sub-Gear Shift Shaft
16	3423-416	1		C-Ring, Cam
17	3004-376	1	S/P	Bolt, Gear Shift Cam Plate
18	3423-141	1		Washer, Cam Stopper
19	3004-488	1	S/P	Nut, Cam Stopper Spring
20	3423-358	2	S	Circlip, Sub-Gear Shift Shaft
21	3446-280	2		Spring, Cam
22	3423-044	2		Contact
23	3402-382	2		Washer, Cam Spring
24	3423-191	4	/P	Circlip, Cam Spring
25	3402-195	1		Washer, Shift Shaft
26	3423-421	1	/P	Washer, Shift Shaft
27	3402-434	1	/P	Arm, Select
28	3423-204	1	/P	Washer, Select Arm
29	3004-341	1	S/P	Bolt, Select Arm
30	3423-153	1		E-Ring
31	3402-686	1		Base, Gear Shift - Assembly
32	3423-418	2		Bolt
33	3402-087	2		Spring

2002 ATV 375 AUTOMATIC TRANSMISSION (4X4 GREEN) (A2002ATG4BUS) Page 44 of 89
HYDRAULIC BRAKE ASSEMBLY



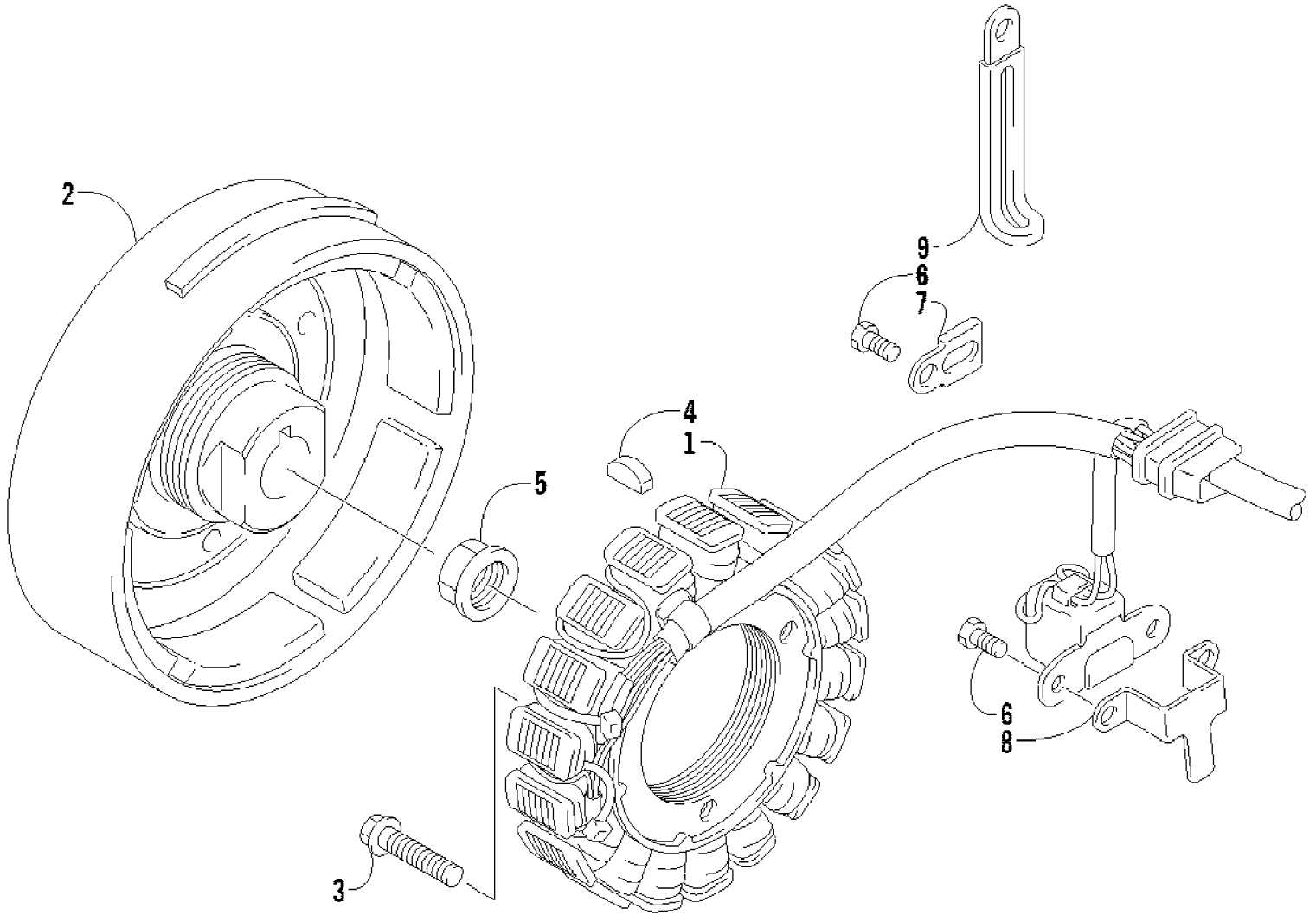
2002 ATV 375 AUTOMATIC TRANSMISSION (4X4 GREEN) (A2002ATG4BUS) Page 45 of 89
HYDRAULIC BRAKE ASSEMBLY

Ref #	Part Number	Qty	S/P/F	Description
1	8476-625	1		Screw, Cap
2	0402-853	1	S	Hose, Brakeline - Front
3	0402-073	2		Block, Mounting
4	0423-389	3	/P	Bolt, Banjo Fitting
5	0423-039	6		Washer, Crush
6	0502-265	1		Caliper, Brake - Right Front (inc. 7-16)
6	0502-266	2	S	Caliper, Brake - Left Front and Right Rear (inc. 7-16)
7	0	3	F	Housing, Caliper
8	0402-490	3		O-Ring
9	0402-496	3	S	Pin, Cotter
10	0402-495	3		Pin, Brake Caliper
11	0402-493	3		Cap, Bleed Valve
12	0402-882	6	/P	Pad, Brake
13	0402-491	3	S	Valve, Bleed
14	0402-487	6		O-Ring, Brake Caliper
15	0402-492	12		Screw, Cap
16	0	3	F	Housing, Caliper
17	0402-597	1	/P	Clip, Brakeline
18	0402-932	1		Tube, Brake Line - Rear
19	8408-825	6		Screw, Cap
20	0402-901	1	S	Switch, Brake Pressure
21	0402-832	1		Hose, Brakeline - Rear



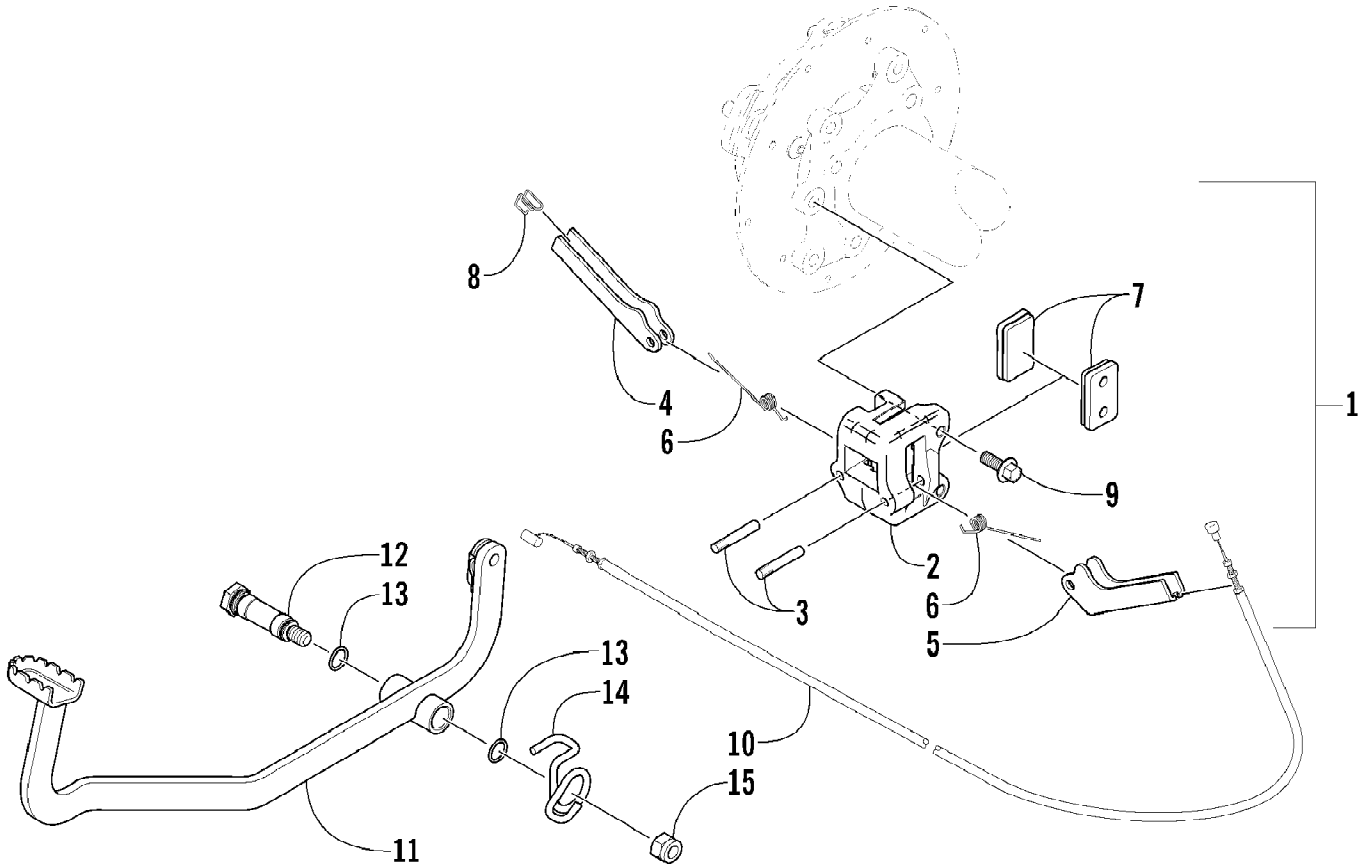
2002 ATV 375 AUTOMATIC TRANSMISSION (4X4 GREEN) (A2002ATG4BUS) Page 47 of 89
HYDRAULIC HAND BRAKE ASSEMBLY

Ref #	Part Number	Qty	S/P/F	Description
1	0502-324	1	S	Cylinder, Master - Assembly (inc. 2-13)
2	0402-818	1	/P	Lever, Brake
3	0402-940	1	S	Screw
4	0402-941	1	/P	Nut, Lock
5	0402-544	1		Cover, Reservoir
6	0402-553	1		Bladder, Reservoir
7	0402-938	2		Screw
8	0402-894	1	/P	Clamp, Master Cylinder
9	0402-939	2		Screw
10	0402-892	1	S	Lock, Brake Lever
11	0402-936	1	/P	Rivet
12	0402-559	1		Spring, Brake - Lever Lock
13	0402-937	1	/P	Washer, Lock - Internal Tooth
14	0402-854	1		Hose, Brakeline



2002 ATV 375 AUTOMATIC TRANSMISSION (4X4 GREEN) (A2002ATG4BUS) Page 49 of 89
MAGNETO ASSEMBLY

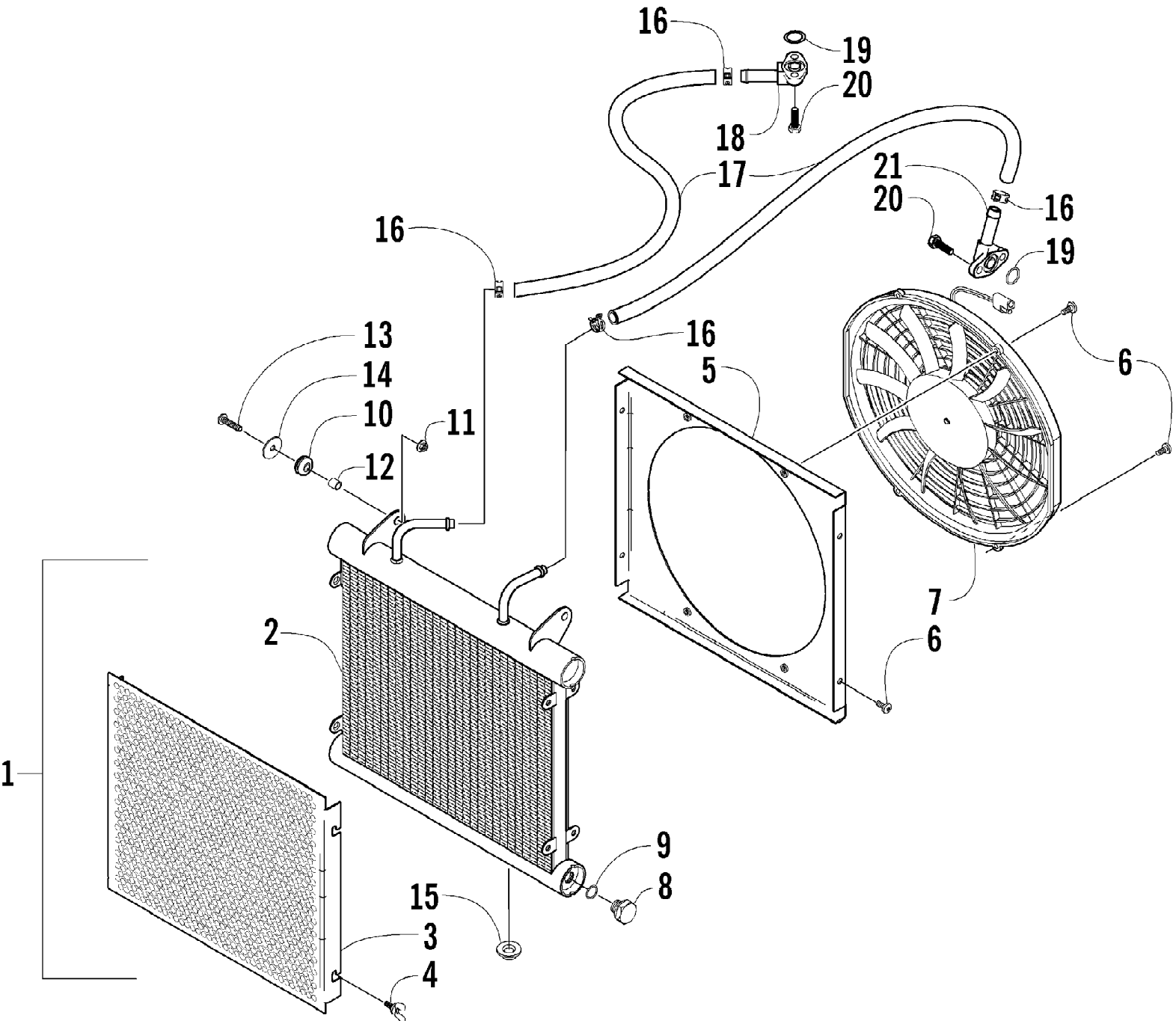
Ref #	Part Number	Qty	S/P/F	Description
1	3430-053	1		Stator Assembly
2	3430-054	1	S	Rotor/Flywheel
3	3004-756	3	S	Bolt
4	0691-785	1		Key
5	3423-086	1		Nut
6	3423-005	3	/P	Bolt
7	3430-006	1		Clamp
8	3430-005	1		Clamp
9	3002-964	1	/P	Clamp, Wire



2002 ATV 375 AUTOMATIC TRANSMISSION (4X4 GREEN) (A2002ATG4BUS) Page 51 of 89
MECHANICAL BRAKE ASSEMBLY

Ref #	Part Number	Qty	S/P/F	Description
1	0502-230	1	S	Mechanical Brake Assembly (inc. 2-7)
2	0	1	F	Housing, Brake
3	0	2	F	Pin, Arm
4	0	1	F	Arm, Inner
5	0	1	F	Arm, Outer
6	0	2	F	Spring, Arm
7	0402-958	2	/P	Pad, Brake
8	0402-379	1		Wire Form, Cable
9	8408-820	2	/P	Screw, Cap
10	0487-006	1		Cable, Brake - Rear
11	0502-236	1		Lever, Brake
12	0402-872	1		Axle, Brake Lever
13	0423-096	2		O-Ring
14	0402-838	1	S	Spring, Brake
15	8422-002	1		Nut

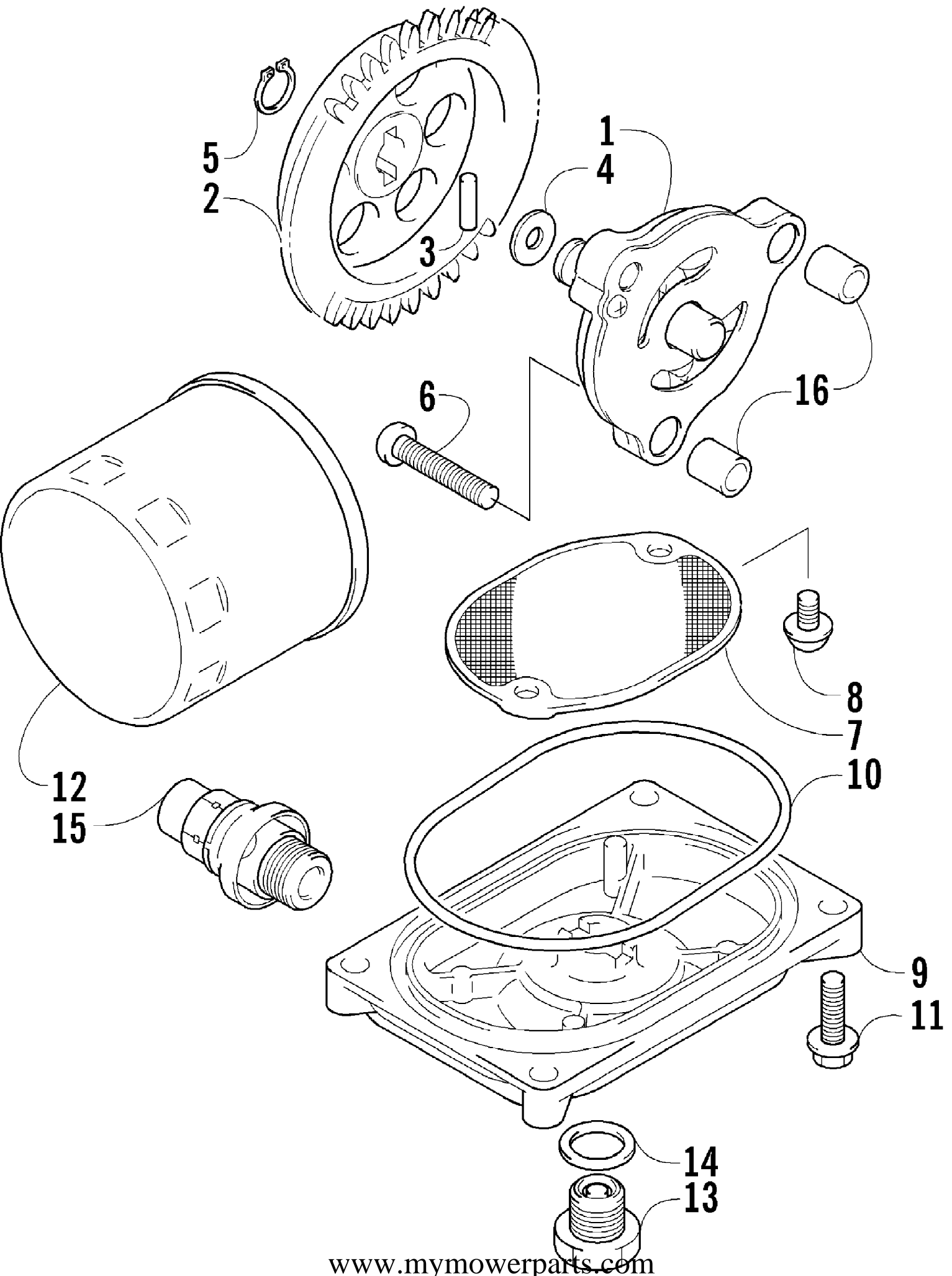
2002 ATV 375 AUTOMATIC TRANSMISSION (4X4 GREEN) (A2002ATG4BUS) Page 52 of 89
OIL COOLER ASSEMBLY



2002 ATV 375 AUTOMATIC TRANSMISSION (4X4 GREEN) (A2002ATG4BUS) Page 53 of 89
OIL COOLER ASSEMBLY

Ref #	Part Number	Qty	S/P/F	Description
1	0413-052	1		Cooler, Oil - Assembly (inc. 2-9)
2	0413-053	1		Cooler, Oil
3	0413-007	1		Screen, Oil Cooler
4	0413-009	1		Screw, Thumb
5	0413-064	1		Shroud, Fan
6	8475-512	8		Screw, Machine
7	0413-044	1	S	Fan, Cooling
8	0413-058	1		Plug, Drain
9	0413-059	1		O-Ring
10	0423-030	2		Grommet
11	0623-038	2		Nut w/Washer
12	0423-036	2		Collar
13	8476-625	2		Screw, Machine
14	0623-184	2		Washer
15	0423-028	2		Bushing, Stem
16	0423-098	4	/P	Clamp, Hose
17	0410-044	2		Hose, Oil
18	0410-013	1		Fitting, Oil
19	0423-089	2		O-Ring
20	8471-616	4		Screw, Machine
21	0410-012	1		Fitting, Oil - Angled

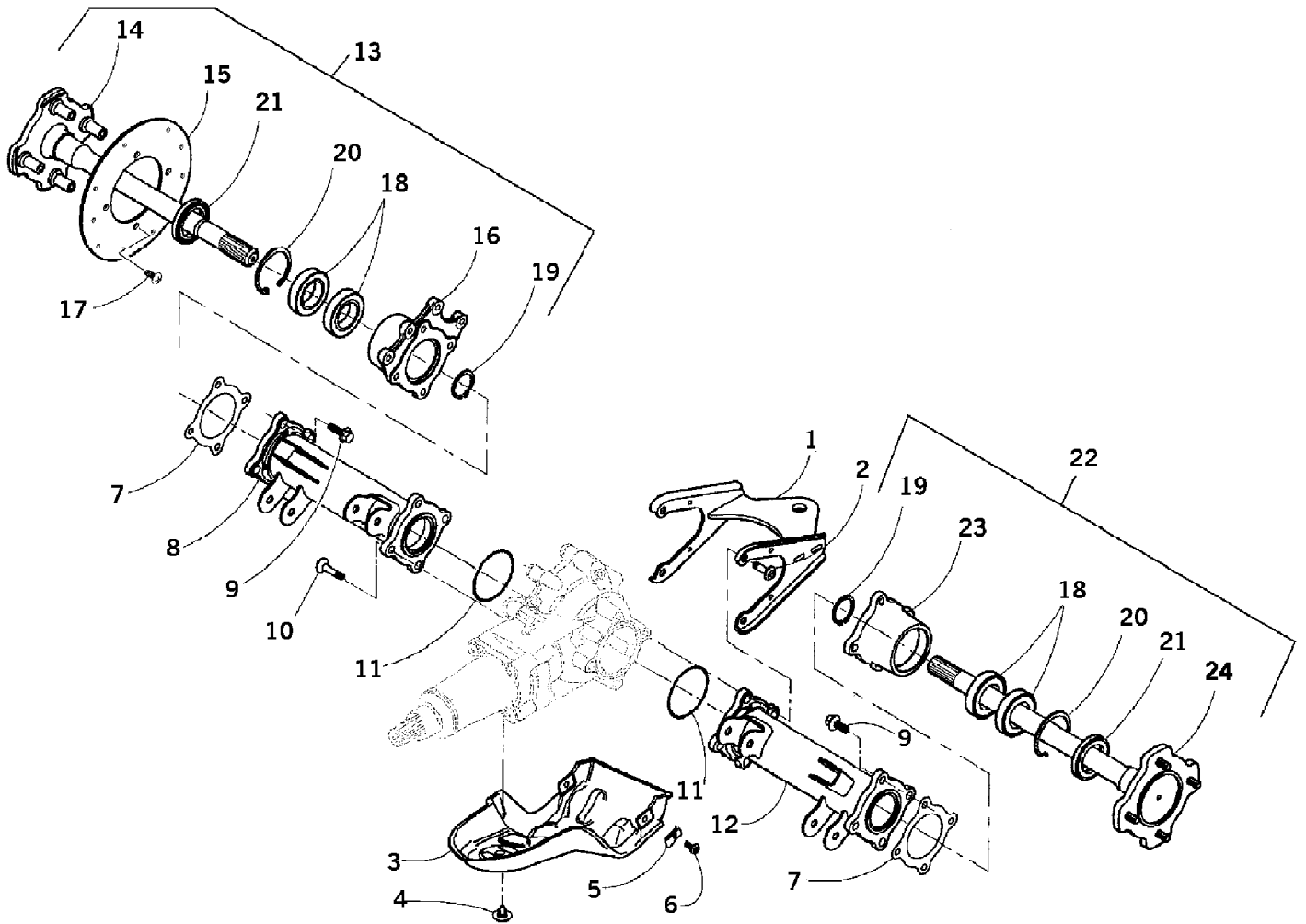
2002 ATV 375 AUTOMATIC TRANSMISSION (4X4 GREEN) (A2002ATG4BUS) page 54 of 89
OIL FILTER/PUMP ASSEMBLY



2002 ATV 375 AUTOMATIC TRANSMISSION (4X4 GREEN) (A2002ATG4BUS) Page 55 of 89
OIL FILTER/PUMP ASSEMBLY

Ref #	Part Number	Qty	S/P/F	Description
1	3402-619	1		Pump, Oil
2	3402-618	1		Gear, Driven
3	3423-046	1		Pin
4	3423-443	1		Washer
5	3423-184	1	S	Circlip
6	3423-113	3	S/P	Screw
7	3402-156	1		Strainer, Oil
8	0693-389	2	S	Screw
9	3402-157	1		Cap, Oil Strainer
10	3423-077	1		O-Ring
11	3004-756	4	S	Screw, Cap
12	0436-146	1	S	Filter, Oil
13	3402-036	1	S	Plug, Drain
14	3402-012	1		Gasket, Drain Plug
15	3402-154	1		Valve, Assembly - Oil Relief
16	3005-206	2	/P	Pin, Oil Pump

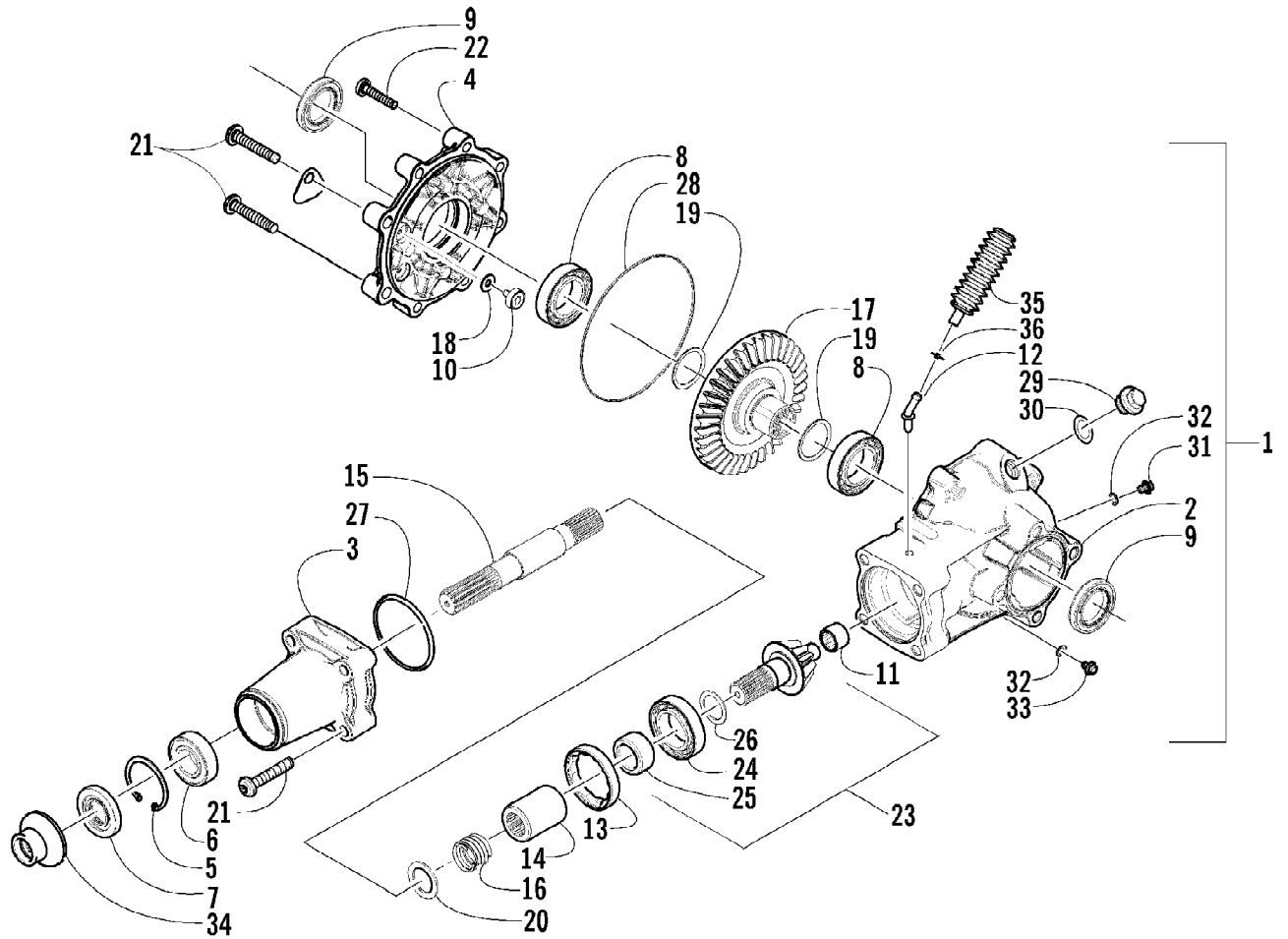
2002 ATV 375 AUTOMATIC TRANSMISSION (4X4 GREEN) (A2002ATG4BUS) Page 56 of 89
REAR AXLE ASSEMBLY



2002 ATV 375 AUTOMATIC TRANSMISSION (4X4 GREEN) (A2002ATG4BUS) Page 57 of 89
REAR AXLE ASSEMBLY

Ref #	Part Number	Qty	S/P/F	Description
1	0506-675	1		Hitch, Trailer
2	0423-116	4		Screw, Self-Tapping
3	0406-415	1		Panel, Gearcase
4	0423-101	1		Screw, Body
5	0423-031	2		Nut, Speed
6	8477-616	2		Screw, Machine
7	0402-374	2		Gasket, Axle Housing
8	0502-090	1		Housing, Axle - Right
9	8409-025	8		Screw, Cap
10	0423-117	4		Screw, Self-Tapping
11	0423-119	2		O-Ring
12	0502-091	1		Housing, Axle - Left
13	0502-267	1	/P	Retainer, Axle - Assembly - Right (inc. 14-17, two No. 18, and one No. 19-21)
14	0502-272	1	/P	Axle Assembly - Right
15	0402-874	1	S	Disc, Brake
16	0502-096	1	S	Housing, Bearing - Right
17	0423-029	4		Screw, Shoulder
18	0402-339	4		Bearing
19	0402-351	2		Ring, Retaining
20	0402-347	2		Ring, Retaining
21	0402-348	2		Seal
22	0502-274	1	S	Retainer, Axle - Assembly - Left (inc. one No. 19-21 and 23-24)
23	0502-097	1	S	Housing, Bearing - Left
24	0502-273	1	/P	Axle Assembly - Left

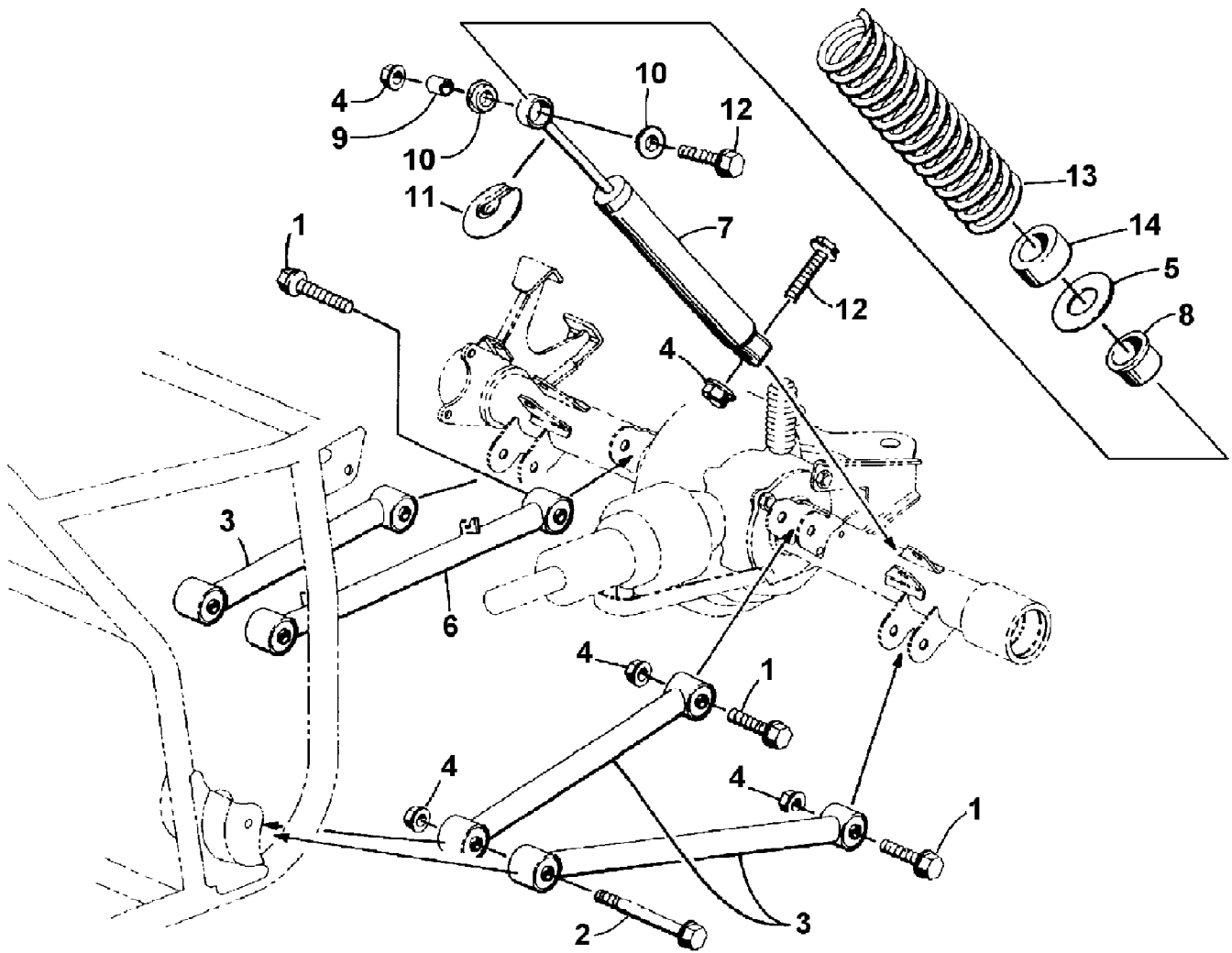
2002 ATV 375 AUTOMATIC TRANSMISSION (4X4 GREEN) (A2002ATG4BUS) Page 58 of 89
REAR DRIVE GEARCASE ASSEMBLY



2002 ATV 375 AUTOMATIC TRANSMISSION (4X4 GREEN) (A2002ATG4BUS) Page 59 of 89
REAR DRIVE GEARCASE ASSEMBLY

Ref #	Part Number	Qty	S/P/F	Description
	0502-292	1		Complete Assembly
1	0502-292	1		Gearcase, Rear Drive - Assembly (inc. 2-33)
2	0502-088	1		Housing, Gearcase
3	0502-239	1		Housing, Pinion
4	0502-089	1		Cover, Gearcase
5	0402-321	1		Ring, Retaining
6	0402-322	1		Bearing
7	0402-323	1		Seal
8	0402-324	2		Bearing
9	0402-325	2		Seal
10	0402-326	1		Button, Thrust
11	0402-328	1		Bearing, Needle
12	0402-330	1		Fitting
13	0402-331	1		Collar, Lock
14	0402-335	1		Collar, Shaft
15	0402-851	1		Shaft, Thrust
16	0402-338	1		Spring, Compression
17	0402-381	1		Gear, Ring - 36T
18	0402-429	AR		Shim
18	0402-430	AR		Shim
18	0402-431	AR		Shim
18	0402-432	AR		Shim
18	0402-433	AR		Shim
19	0402-434	AR		Shim
19	0402-435	AR		Shim
19	0402-436	AR		Shim
19	0402-437	AR		Shim
19	0402-438	AR		Shim
20	0423-111	1		Washer
21	0423-115	6		Screw, Self-Tapping
22	0423-118	6		Screw, Self-Tapping
23	0502-123	1		Gear, 10T - Assembly (inc. 24-26)
24	0402-327	1		Bearing
25	0402-336	1		Collar, Retaining
26	0402-424	AR		Shim
26	0402-425	AR		Shim
26	0402-426	AR		Shim
26	0402-427	AR		Shim
26	0402-428	AR		Shim
27	0423-148	1		O-Ring
28	0423-149	1		O-Ring
29	0402-333	1	/P	Plug, Fill (inc. 30)
30	0423-154	1		O-Ring, Fill Plug
31	0402-334	1		Plug, Drain (inc. one No. 32)
32	0423-153	2		O-Ring, Drain Plug
33	0402-450	1	S	Plug, Drain - Magnetic (inc. one No. 32)
34	0402-352	1		Boot, Rear Drive Gearcase
35	0402-147	1	S	Bladder, Gearcase
36	0423-315	1		Clamp, Fitting

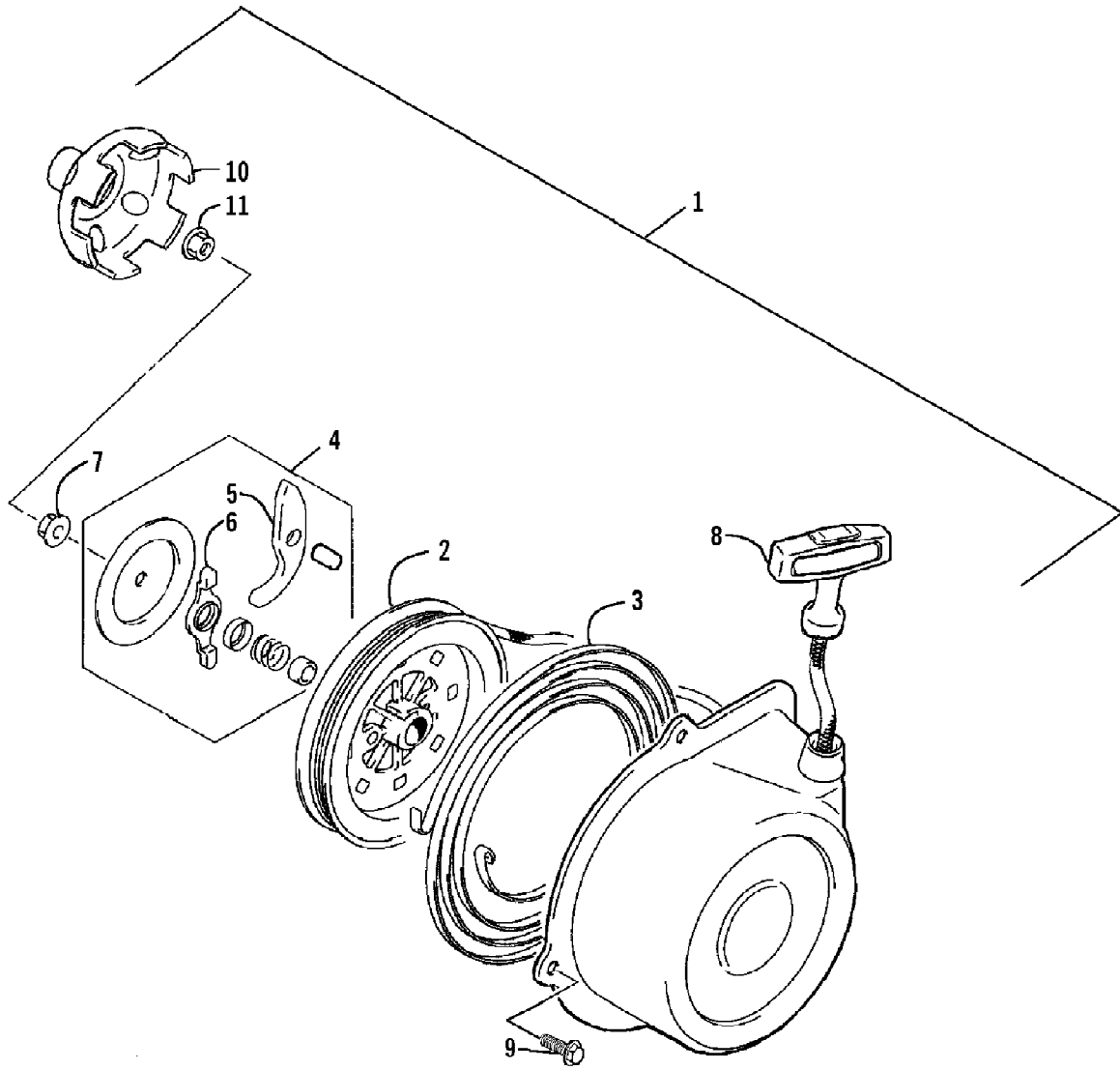
2002 ATV 375 AUTOMATIC TRANSMISSION (4X4 GREEN) (A2002ATG4BUS) Page 60 of 89
REAR SUSPENSION ASSEMBLY



2002 ATV 375 AUTOMATIC TRANSMISSION (4X4 GREEN) (A2002ATG4BUS) Page 61 of 89
REAR SUSPENSION ASSEMBLY

Ref #	Part Number	Qty	S/P/F	Description
1	8409-060	4		Screw, Cap
2	0423-335	2		Screw, Cap
3	0504-218	3		Arm, Swing
4	8428-002	10		Nut, Lock
5	0403-013	2		Washer, Spring Adjustment
6	0504-246	1		Arm, Swing
7	0404-042	2		Shock Absorber - Rear (inc. 8-10)
8	0403-027	2		Retainer, Spring - Lower
9	0403-028	4		Sleeve, Shock Absorber
10	0604-310	8		Bushing, Shock Absorber
11	1603-889	2	/P	Retainer, Spring - Upper
12	8409-040	4		Screw, Cap
13	0404-043	2	S	Spring, Shock Absorber
14	0403-098	2	S	Collar, Spring

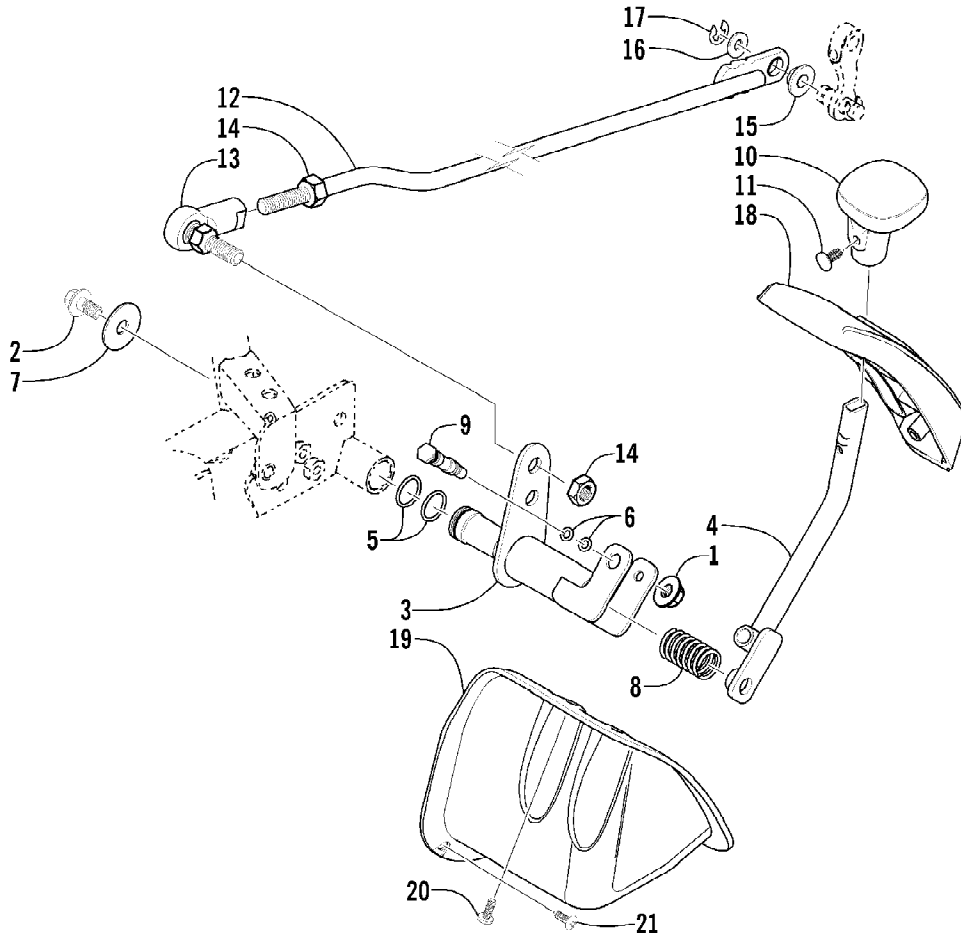
2002 ATV 375 AUTOMATIC TRANSMISSION (4X4 GREEN) (A2002ATG4BUS) Page 62 of 89
RECOIL STARTER ASSEMBLY



2002 ATV 375 AUTOMATIC TRANSMISSION (4X4 GREEN) (A2002ATG4BUS) Page 63 of 89
RECOIL STARTER ASSEMBLY

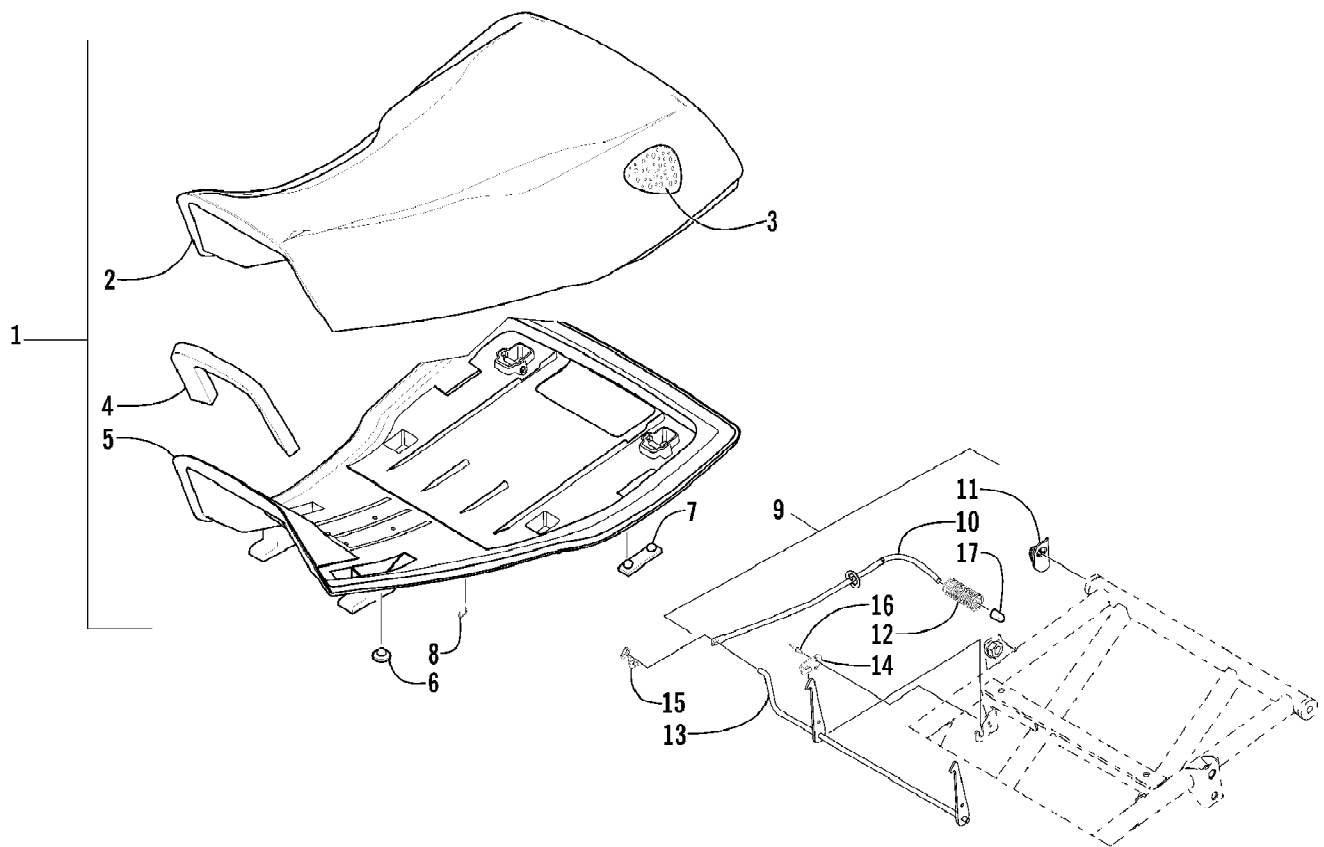
Ref #	Part Number	Qty	S/P/F	Description
1	3445-003	1		Starter, Recoil - Assembly (inc. 2-8)
2	3445-004	1		Reel
3	3445-007	1		Spring, Spiral
4	3445-016	1		Ratchet - Assembly (inc. 5-6)
5	3445-005	1		Ratchet
6	3445-006	1		Guide, Ratchet
7	3004-488	1	S/P	Nut
8	3445-011	1		Rope Assembly
9	3423-428	4		Screw, Cap
10	3445-027	1	S	Cup, Starter
11	3004-491	1	S/P	Nut

2002 ATV 375 AUTOMATIC TRANSMISSION (4X4 GREEN) (A2002ATG4BUS) Page 64 of 89
REVERSE SHIFT LEVER ASSEMBLY



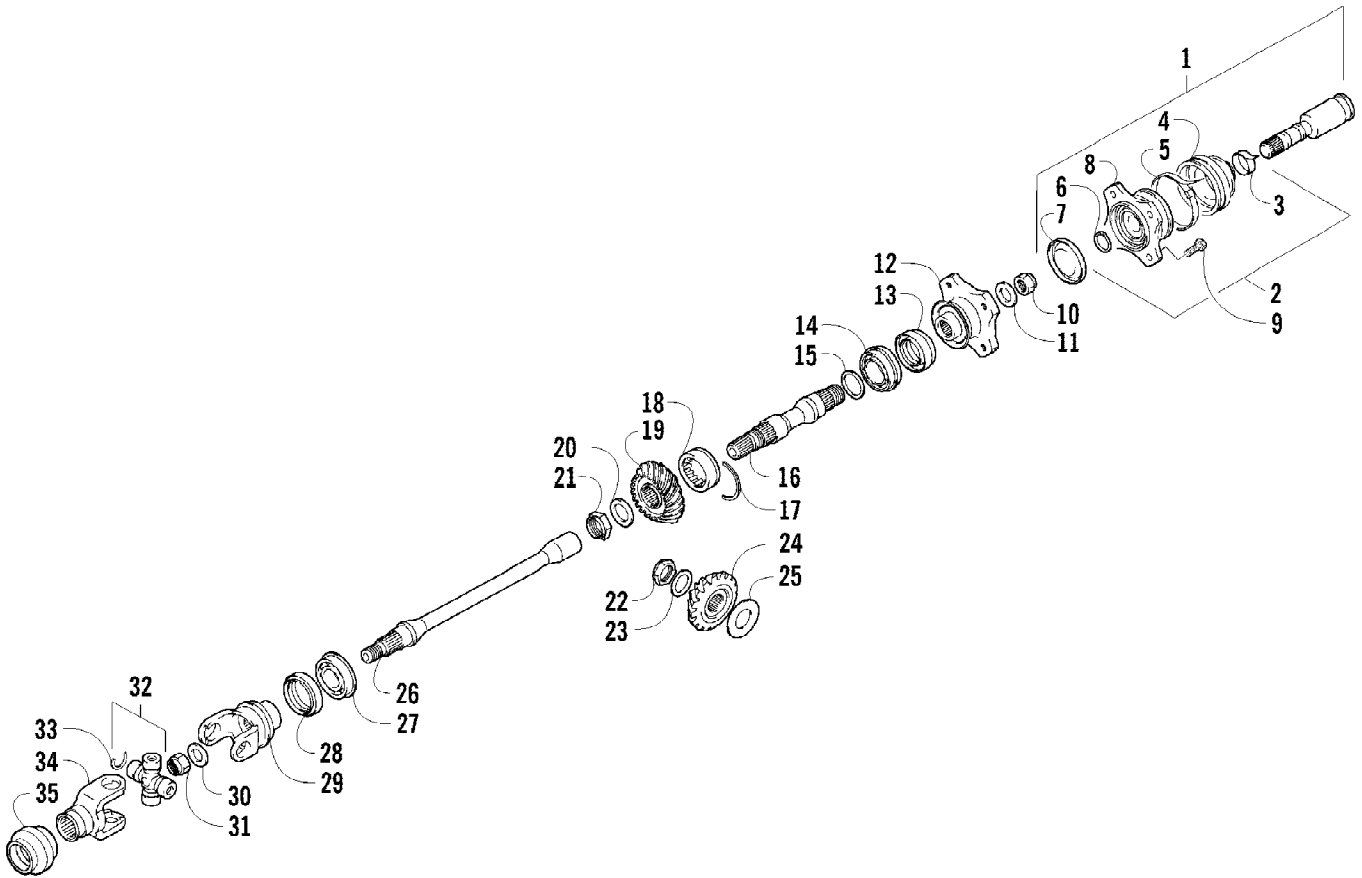
2002 ATV 375 AUTOMATIC TRANSMISSION (4X4 GREEN) (A2002ATG4BUS) Page 65 of 89
REVERSE SHIFT LEVER ASSEMBLY

Ref #	Part Number	Qty	S/P/F	Description
1	8424-602	1	/P	Nut
2	8408-812	1		Screw, Cap
3	0502-187	1		Axle, Reverse Shift Lever
4	0502-185	1		Lever, Reverse Shift
5	0423-299	2	/P	O-Ring
6	0423-182	2	/P	O-Ring
7	0423-087	1		Washer
8	0402-678	1	/P	Spring, Lever
9	0402-675	1		Axle, Pivot
10	0402-843	1	/P	Handle, Lever
11	0423-345	1		Clip, Push
12	0502-311	1	S	Linkage, Shifting
13	0402-844	1		End, Rod
14	0623-294	2		Nut
15	0423-091	1		Bushing
16	3423-204	1	/P	Washer
17	0423-169	1	/P	E-Ring
18	0402-685	1		Plate, Shift
19	0406-943	1		Shield, Linkage
20	0423-371	3		Screw, Machine
21	0623-309	1		Screw, Self-Tapping



2002 ATV 375 AUTOMATIC TRANSMISSION (4X4 GREEN) (A2002ATG4BUS) Page 67 of 89
SEAT ASSEMBLY

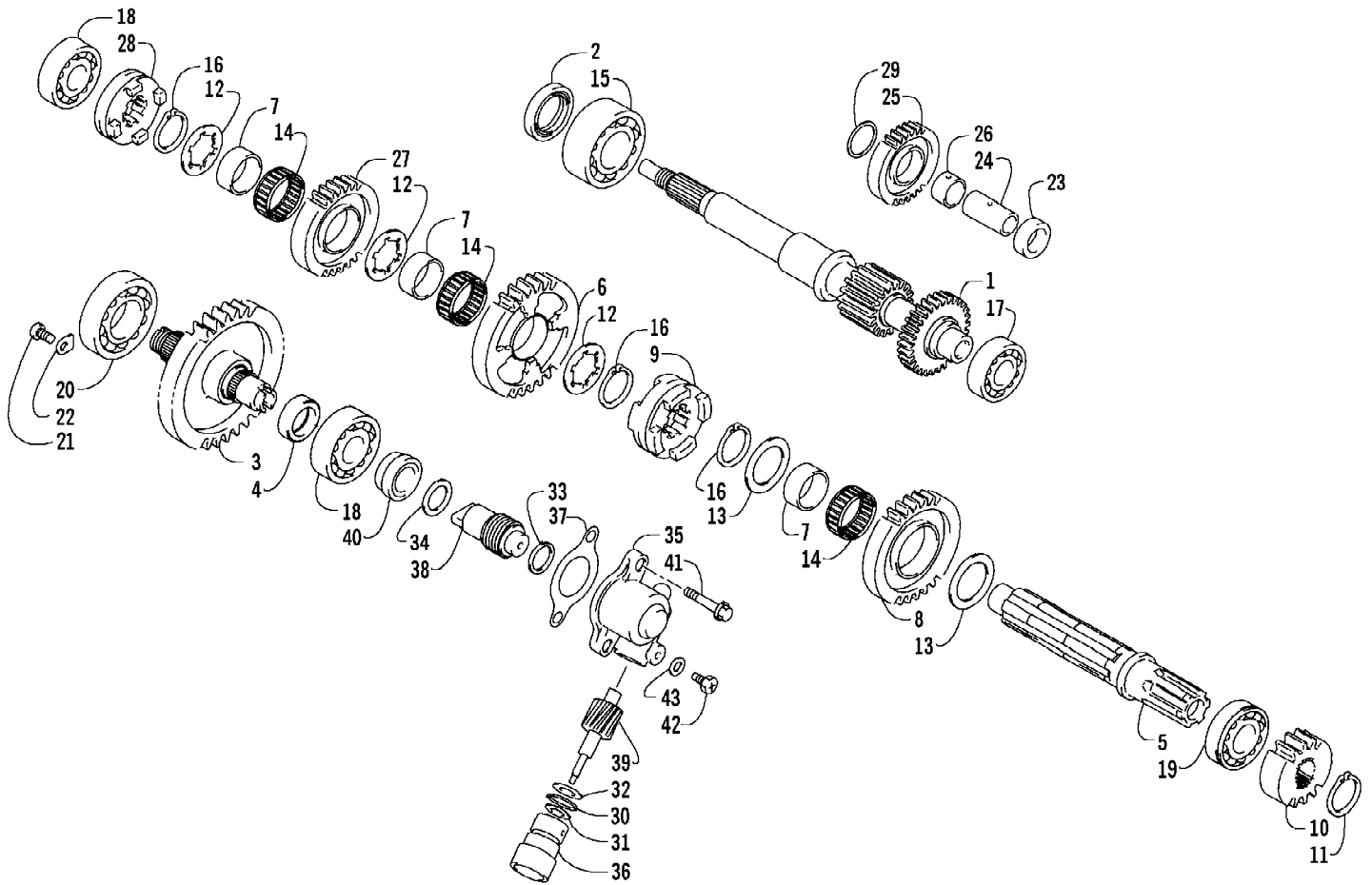
Ref #	Part Number	Qty	S/P/F	Description
1	0506-558	1		Seat Assembly (inc. 2-8)
2	0506-556	1		Cover, Seat
3	0506-555	1		Foam, Seat
4	1406-060	1		Foam, Sound
5	0406-878	1		Base, Seat Assembly (inc. 6-7)
6	0406-877	2	/P	Bumper, Seat - Front
7	0406-879	2		Bumper, Seat - Rear
8	0624-100	AR		Staple
9	0506-702	1		Rod, Seat Release - Assembly (inc. 10-12)
10	0506-701	1	S	Rod, Seat Release
11	1406-004	1		Bracket, Seat Release
12	1406-005	1		Spring, Seat Release
13	0506-606	1		Latch, Seat
14	0406-923	1		Plate, Retainer
15	0423-358	1		Clip, Retainer
16	8060-284	1		Rivet
17	0623-404	1		Cap, Protector



2002 ATV 375 AUTOMATIC TRANSMISSION (4X4 GREEN) (A2002ATG4BUS) Page 69 of 89
SECONDARY DRIVE ASSEMBLY

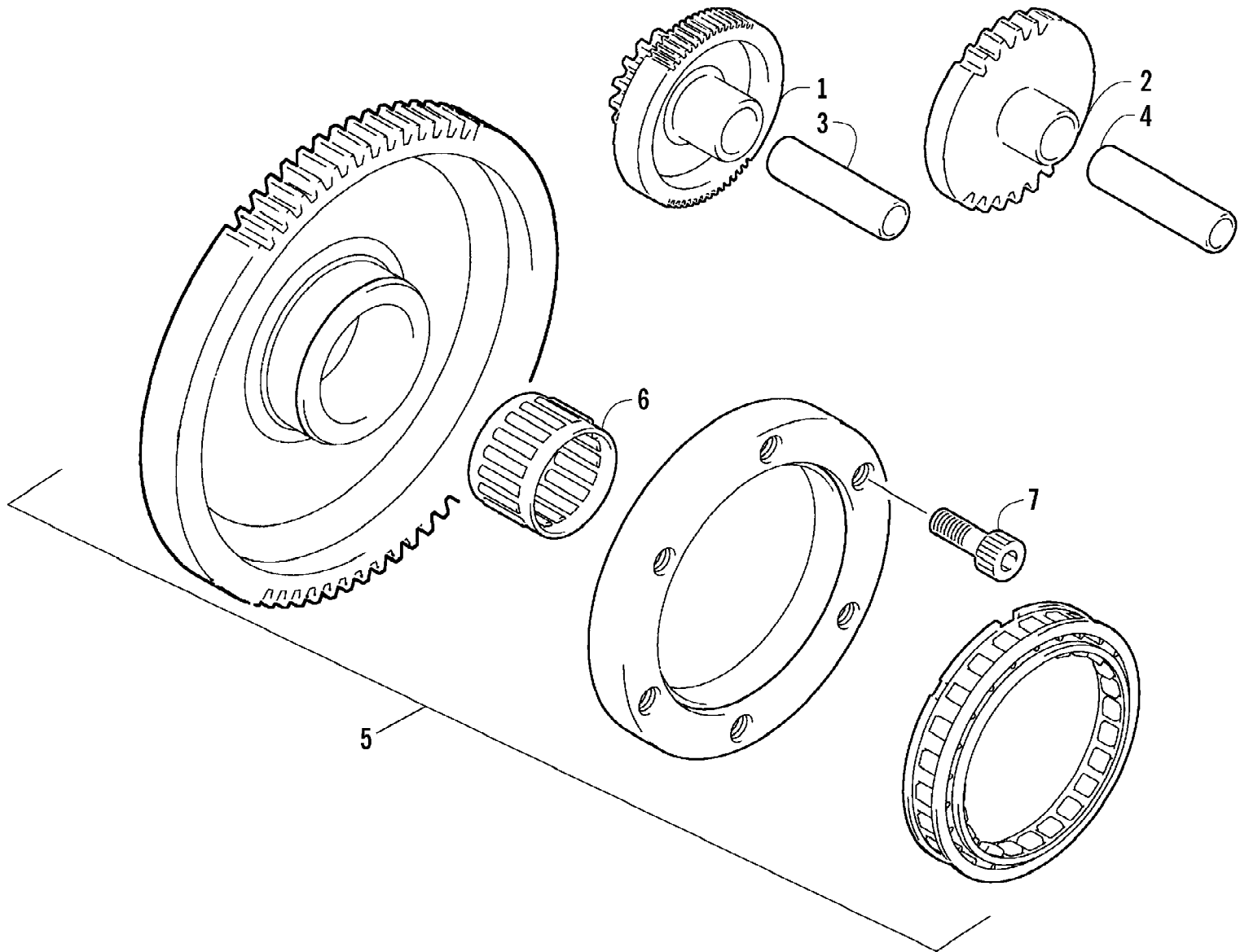
Ref #	Part Number	Qty	S/P/F	Description
1	3435-010	1		Joint, Rear Output - Assembly (inc. 2-8)
2	3435-066	1		Boot, Joint - Set (inc. 3-7)
3	3423-212	1		Band
4	3435-067	1		Boot
5	3423-211	1		Band
6	3423-210	1		Ring, Snap
7	3423-356	1		Seal, Plate
8	0	1	F	Flange, Output
9	8408-820	4	/P	Screw, Cap
10	3423-025	1		Nut
11	3423-028	1		Washer
12	3402-514	1	/P	Flange, Output Joint - Rear
13	3402-072	1		Seal, Oil - Rear Secondary Driven Shaft
14	3402-067	1	S	Bearing, Rear Secondary Driven Shaft
15	3402-017	AR		Shim, 25 x 34 x 0.60 mm
15	3402-018	AR		Shim, 25 x 34 x 0.65 mm
15	3402-019	AR		Shim, 25 x 34 x 0.70 mm
15	3402-020	AR		Shim, 25 x 34 x 0.75 mm
15	3402-021	AR	S	Shim, 25 x 34 x 0.80 mm
15	3402-022	AR		Shim, 25 x 34 x 0.85 mm
15	3402-023	AR		Shim, 25 x 34 x 0.90 mm
15	3402-024	AR		Shim, 25 x 34 x 0.95 mm
15	3402-025	AR	S	Shim, 25 x 34 x 1.00 mm
15	3402-028	AR		Shim, 25 x 34 x 1.05 mm
15	3402-029	AR		Shim, 25 x 34 x 1.10 mm
15	3402-030	AR		Shim, 25 x 34 x 1.15 mm
15	3402-031	AR		Shim, 25 x 34 x 1.20 mm
16	3402-639	1		Shaft, Secondary Driven - Rear
17	3423-072	1		C-Ring, Driven Bearing
18	3402-515	1	/P	Bearing, Driven Gear
19	3402-638	1		Gear, Secondary Driven
20	3423-137	1		Washer
21	3423-136	1		Nut
22	3423-023	1		Nut
23	3005-372	1		Washer
24	3402-637	1		Gear, Secondary Drive
25	3446-035	1		Shim, Secondary Drive Gear - Set
26	3402-559	1		Shaft, Secondary Driven - Front (4X4)
27	3402-558	1		Bearing, Front Secondary Driven Shaft (4X4)
28	3402-072	1		Seal, Oil - Front Secondary Driven Shaft (4X4)
29	3402-560	1		Yoke, Drive Output - Front (4X4)
30	3423-028	1		Washer (4X4)
31	3423-025	1		Nut, Yoke - Front (4X4)
32	3402-562	1		Joint, Universal - Set (inc. 33) (4X4)
33	3423-479	4		Circlip (4X4)
34	3402-549	1	S	Yoke, Propeller Shaft (4X4)
35	3402-518	2	S	Boot, Propeller Shaft (4X4)

2002 ATV 375 AUTOMATIC TRANSMISSION (4X4 GREEN) (A2002ATG4BUS) Page 70 of 89
SECONDARY TRANSMISSION ASSEMBLY



2002 ATV 375 AUTOMATIC TRANSMISSION (4X4 GREEN) (A2002ATG4BUS) Page 71 of 89
SECONDARY TRANSMISSION ASSEMBLY

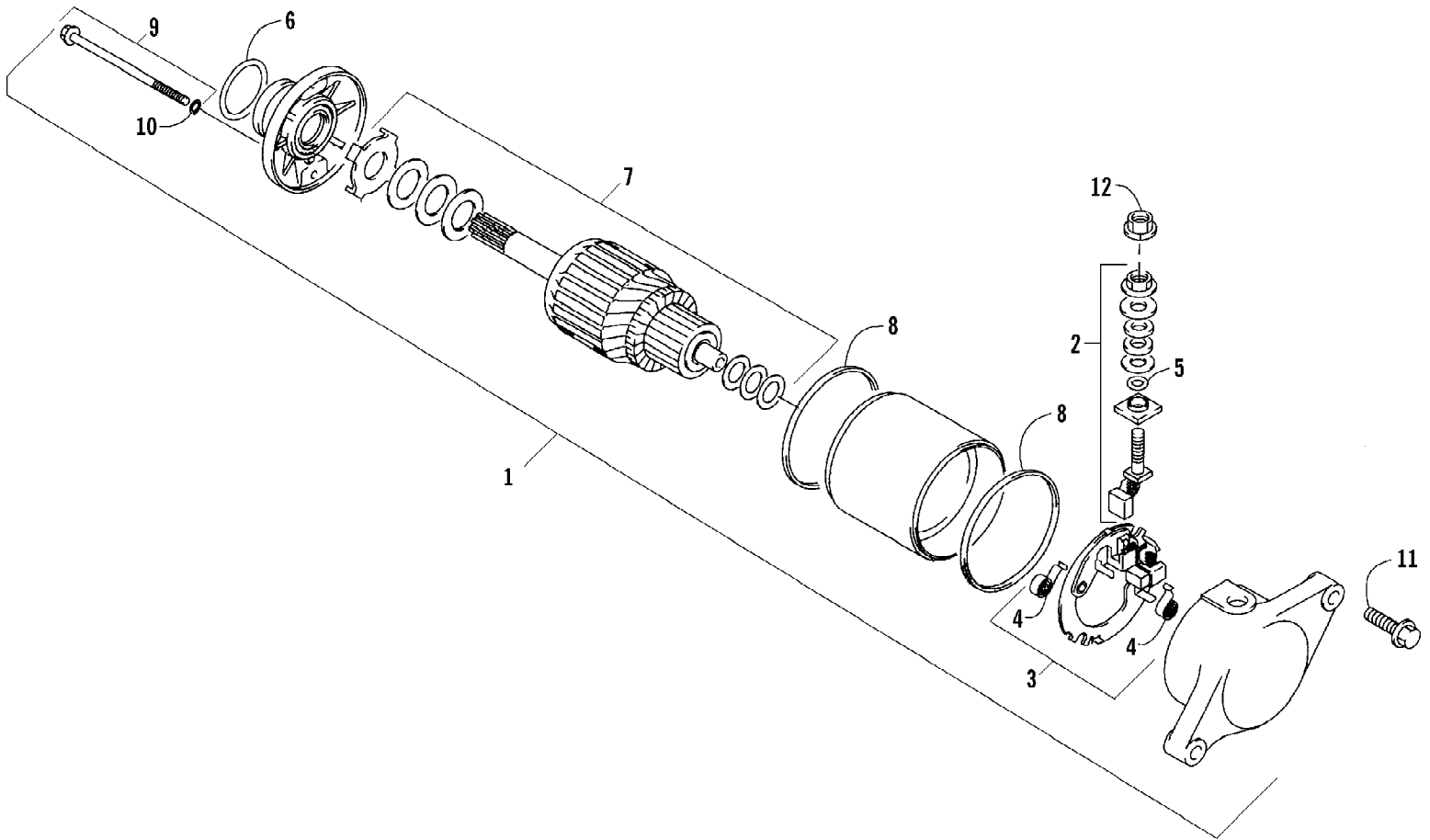
Ref #	Part Number	Qty	S/P/F	Description
1	3402-665	1		Driveshaft
2	3402-500	1	S	Seal, Driveshaft
3	3402-666	1		Shaft, Output
4	3423-494	1		Spacer, Output Shaft
5	3402-667	1		Countershaft
6	3402-668	1	/P	Gear, Driven - Low
7	3402-494	3		Bushing
8	3402-495	1		Gear, Driven - High
9	3402-496	1		Dog, Sliding
10	3402-669	1		Gear, Drive - No. 2
11	3423-191	1	/P	Circlip
12	3423-263	3		Washer
13	3423-448	2		Washer
14	3402-498	3		Bearing
15	3402-499	1		Bearing, Driveshaft
16	3423-066	3	/P	Circlip
17	3003-261	1	/P	Bearing, Driveshaft - Left
18	3402-045	2	/P	Bearing, Shaft
19	3004-209	1	/P	Bearing, Shaft
20	3402-180	1	S	Bearing, Output Shaft
21	3423-435	2		Screw, Bearing Retainer
22	3446-031	2	/P	Retainer, Bearing
23	3423-442	1		Spacer, Reverse Idle Gear
24	3402-634	1		Shaft, Reverse Idle
25	3402-503	1		Gear, Reverse Idle
26	3446-103	1		Bushing, Reverse Idle Gear
27	3402-635	1		Gear, Reverse Driven
28	3402-636	1		Dog, Reverse Driven Gear
29	3402-195	2		Washer, Reverse Idle Gear
30	3423-056	1		O-Ring
31	3402-077	1		Seal, Driven Gear
32	3423-144	1		Washer, Driven Gear
33	3423-336	1		Washer
34	3423-502	1	/P	Washer
35	3446-057	1		Housing, Speedometer Gear
36	3446-058	1		Sleeve
37	3446-244	1	/P	Gasket, Housing
38	3446-284	1		Gear, Drive
39	3446-285	1		Gear, Driven
40	3446-114	1	/P	Spacer, Driven Gear
41	3423-346	2	S	Bolt, Housing
42	3423-143	1	S	Screw, Driven Gear
43	3402-009	1	/P	Washer, Driven Gear



2002 ATV 375 AUTOMATIC TRANSMISSION (4X4 GREEN) (A2002ATG4BUS) Page 73 of 89
STARTER CLUTCH ASSEMBLY

Ref #	Part Number	Qty	S/P/F	Description
1	3402-603	1		Gear, Starter Idler - No. 1
2	3402-124	1		Gear, Starter Idler - No. 2
3	3423-221	1	S	Pin, Starter Idler Gear No. 1
4	3423-397	1		Pin, Starter Idler Gear No. 2
5	3402-690	1	S	Clutch, Starter - Set (inc. 6)
6	3402-674	1		Bearing
7	3423-102	6	S	Bolt

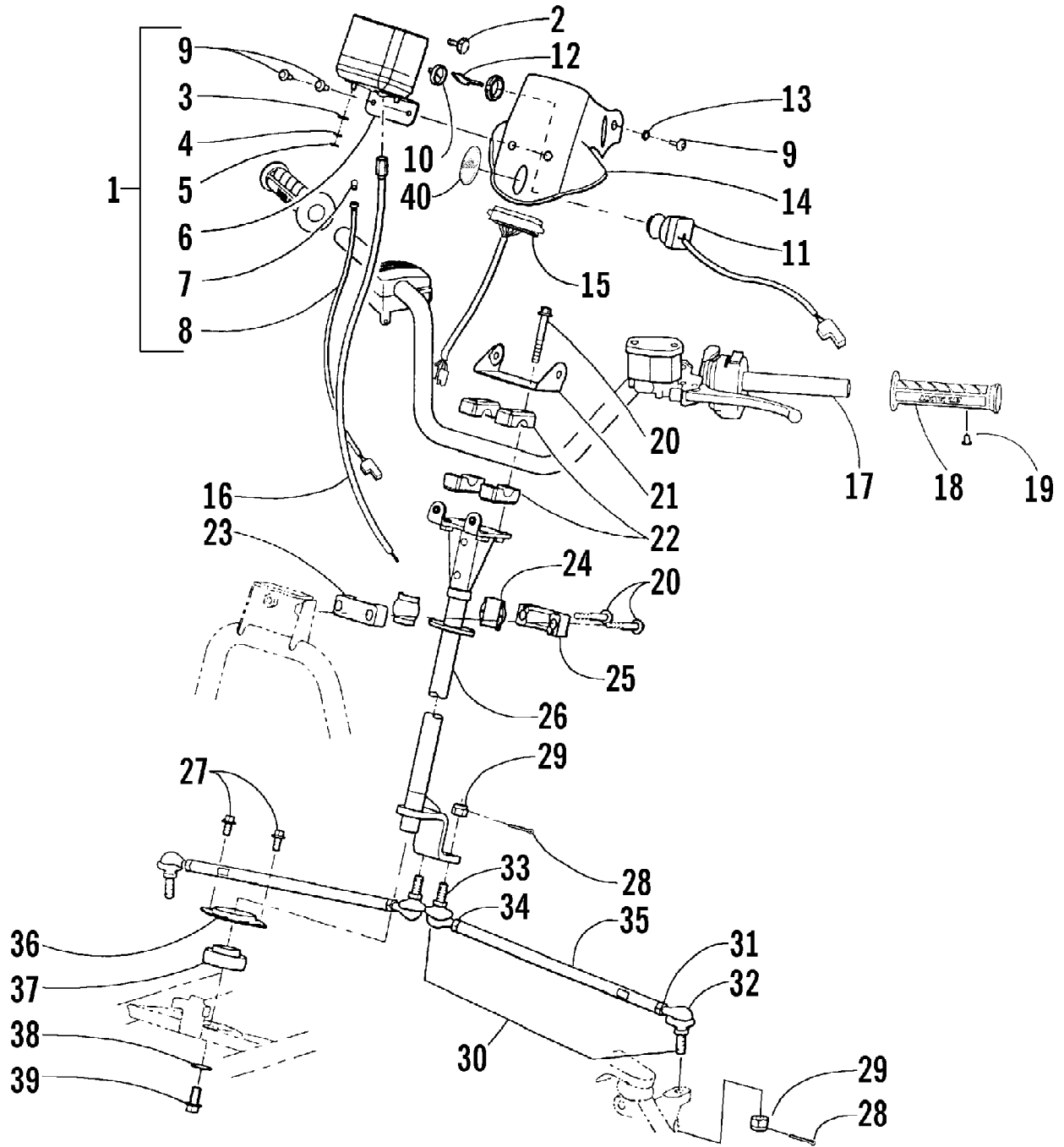
2002 ATV 375 AUTOMATIC TRANSMISSION (4X4 GREEN) (A2002ATG4BUS) Page 74 of 89
STARTER MOTOR ASSEMBLY



2002 ATV 375 AUTOMATIC TRANSMISSION (4X4 GREEN) (A2002ATG4BUS) Page 75 of 89
STARTER MOTOR ASSEMBLY

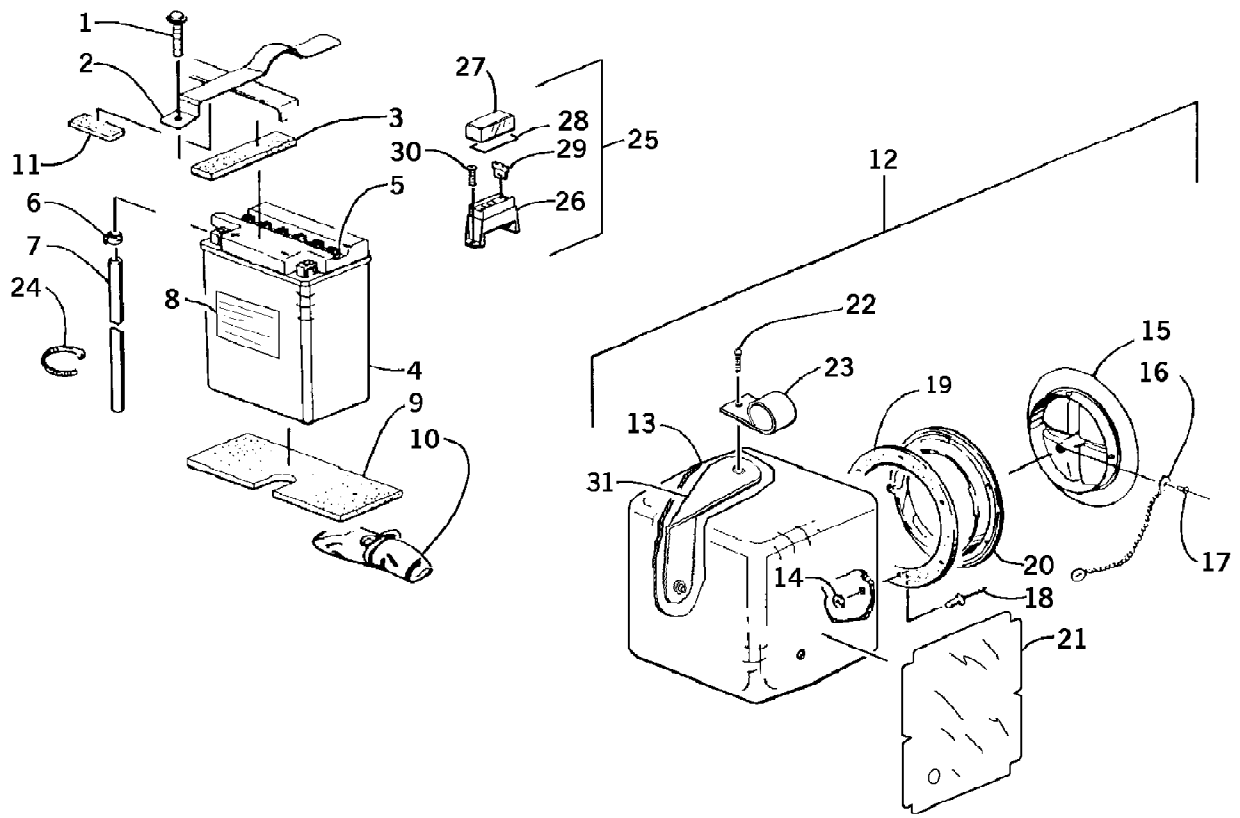
Ref #	Part Number	Qty	S/P/F	Description
1	3545-016	1		Motor, Starter Assembly (inc. 2-10)
2	3402-671	1		Terminal Set, Brush
3	3402-672	1		Holder Set, Brush
4	3008-551	4		Spring, Brush
5	3008-164	1		O-Ring
6	3423-272	1		O-Ring
7	3008-099	1		Washer Set
8	3423-497	2		O-Ring
9	3423-498	2		Screw, Cap (inc. 10)
10	3423-496	2		O-Ring
11	3004-756	2	S	Bolt
12	3423-195	1	/P	Nut

2002 ATV 375 AUTOMATIC TRANSMISSION (4X4 GREEN) (A2002ATG4BUS) Page 76 of 89
STEERING ASSEMBLY



2002 ATV 375 AUTOMATIC TRANSMISSION (4X4 GREEN) (A2002ATG4BUS) Page 77 of 89
STEERING ASSEMBLY

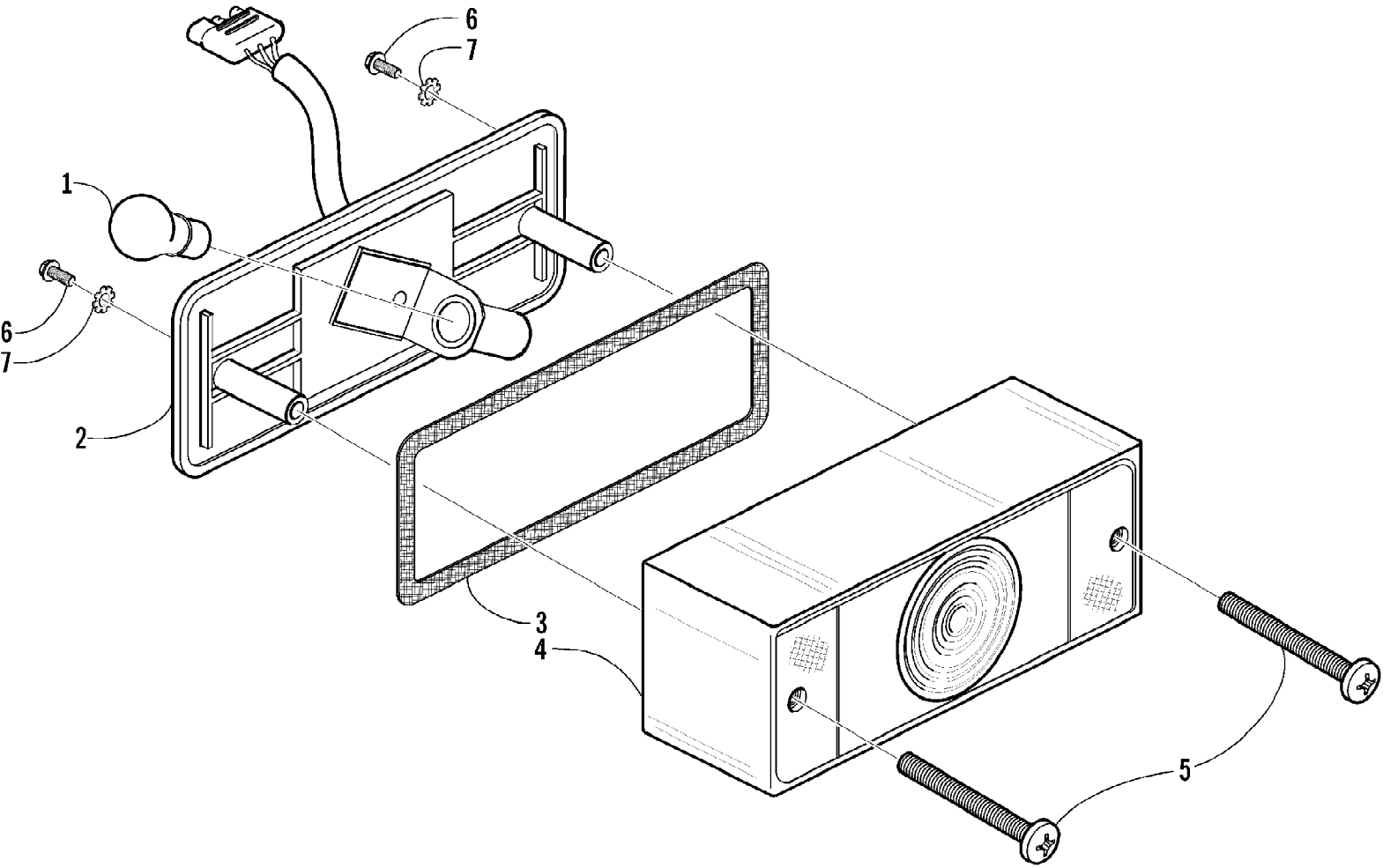
Ref #	Part Number	Qty	S/P/F	Description
1	0420-031	1	/P	Speedometer (inc. 2-8) (4X4)
2	0420-027	1		Knob, Speedometer Trip (4X4)
3	0420-016	2		Mount, Rubber (4X4)
4	0420-017	2		Washer (4X4)
5	0420-015	2		Pin, Retainer (4X4)
6	0420-018	1		Bracket, Speedometer (4X4)
7	0620-149	1	/P	Bulb, Speedometer (4X4)
8	0420-014	1		Harness, Speedometer (4X4)
9	8477-616	3		Screw, Machine
10	0409-013	1		Cover, Key
11	3430-040	1		Switch, Ignition - Assembly (inc. 12)
12	3409-007	1	/P	Key, Ignition - Blank (C Series)
12	3409-011	1		Key, Ignition - Blank (D Series)
12	3409-012	1		Key, Ignition - Blank (E Series)
12	3409-013	1		Key, Ignition - Blank (F Series)
13	0423-052	1		Collar, Body
14	0405-063	1		Instrument Pod
15	0420-029	1	S	Panel, LED
16	0487-026	1		Cable, Speedometer (4X4)
17	0505-406	1	S/P	Tube, Handlebar
18	0405-039	2	/P	Grip, Handlebar
19	8060-428	2		Rivet
20	8408-860	6		Screw, Cap
21	0506-348	1	/P	Bracket, Key Switch
22	0405-035	4		Cap, Steering Adjuster
23	0605-171	1		Housing, Bearing - Lower
24	0405-020	2		Bearing, Steering Post
25	0605-147	1	S	Housing, Bearing - Upper
26	0505-073	1	S	Post, Steering
27	8408-816	2		Screw, Cap
28	0623-175	4		Pin, Cotter
29	0423-157	4		Nut, Top Lock
30	0505-072	2	/P	Tie Rod, Assembly (inc. 31-35)
31	8420-002	2	/P	Nut - Right
32	0405-082	2	S	Ball Joint, Tie Rod - Right
33	0405-083	2	S	Ball Joint, Tie Rod - Left
34	0423-013	2		Nut - Left
35	0405-032	2		Tie Rod
36	0602-233	1		Flange, Bearing
37	0405-052	1		Bearing w/Inverted Oil Seal
38	0423-073	1		Washer
39	8409-020	1	/P	Screw, Cap
40	0405-042	1		Plug, Speedometer Cable Hole (2X4)



2002 ATV 375 AUTOMATIC TRANSMISSION (4X4 GREEN) (A2002ATG4BUS) Page 79 of 89
STORAGE BOX AND BATTERY ASSEMBLY

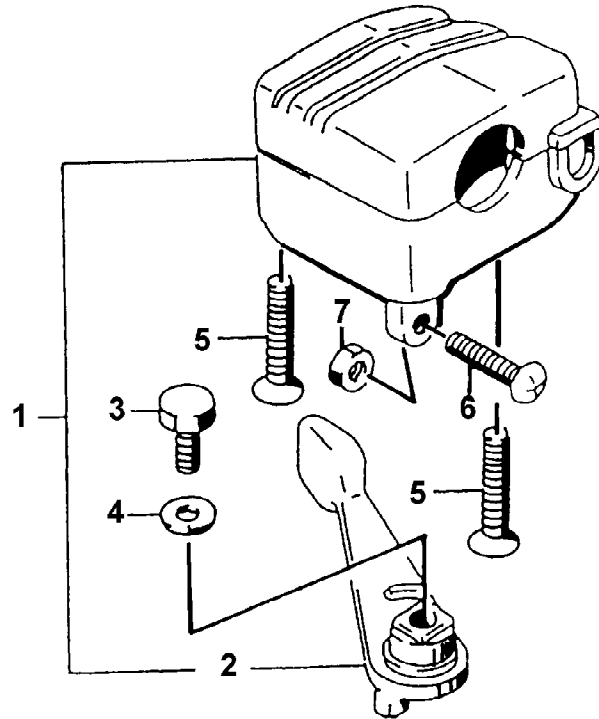
Ref #	Part Number	Qty	S/P/F	Description
1	8477-616	1		Screw, Machine
2	0506-178	1		Strap, Battery w/Pads (inc. 3 and 11)
3	0406-289	1		Pad, Battery - Upper Rear
4	0445-005	1	S	Battery Assembly (inc. 5-8)
5	0645-045	6		Cap, Battery
6	0645-152	1		Clamp, Hose
7	0645-263	1	/P	Hose, Battery Vent
8	0645-151	1		Label, Warning - Battery
9	0406-227	1		Pad, Battery - Lower
10	0444-122	1	S/P	Kit, Tool
11	0406-288	1		Pad, Battery - Upper Front
12	0506-663	1		Storage Box - Assembly (inc. 13-21)
13	0406-970	1		Box, Storage
14	0123-802	6		Washer
15	0406-208	1		Cover, Storage Box
16	0773-401	1		Chain, Cover
17	8061-223	2	/P	Rivet
18	8060-630	6		Rivet
19	0673-973	1		Seal, Cover
20	0406-205	1	/P	Ring, Mounting - Storage Box Cover
21	0412-125	1		Shield, Heat
22	0623-121	4		Screw, Machine
23	0423-044	4		Clamp, Tube
24	0123-903	2		Cable Tie - 11.5 in.
25	0530-001	1		Box, Fuse - Assembly (inc. 26-29)
26	0	1	F	Block, Fuse
27	0	1	F	Cover, Fuse Box
28	0411-271	1		Decal, Fuse Block
29	0630-057	4		Fuse - 10 Amp
29	0630-058	2		Fuse - 15 Amp
30	0623-361	2		Screw, Self-Tapping
31	0506-730	1		Bracket, Storage Box - Right
31	0506-731	1		Bracket, Storage Box - Left

2002 ATV 375 AUTOMATIC TRANSMISSION (4X4 GREEN) (A2002ATG4BUS) Page 80 of 89
TAILLIGHT ASSEMBLY



2002 ATV 375 AUTOMATIC TRANSMISSION (4X4 GREEN) (A2002ATG4BUS) Page 81 of 89
TAILLIGHT ASSEMBLY

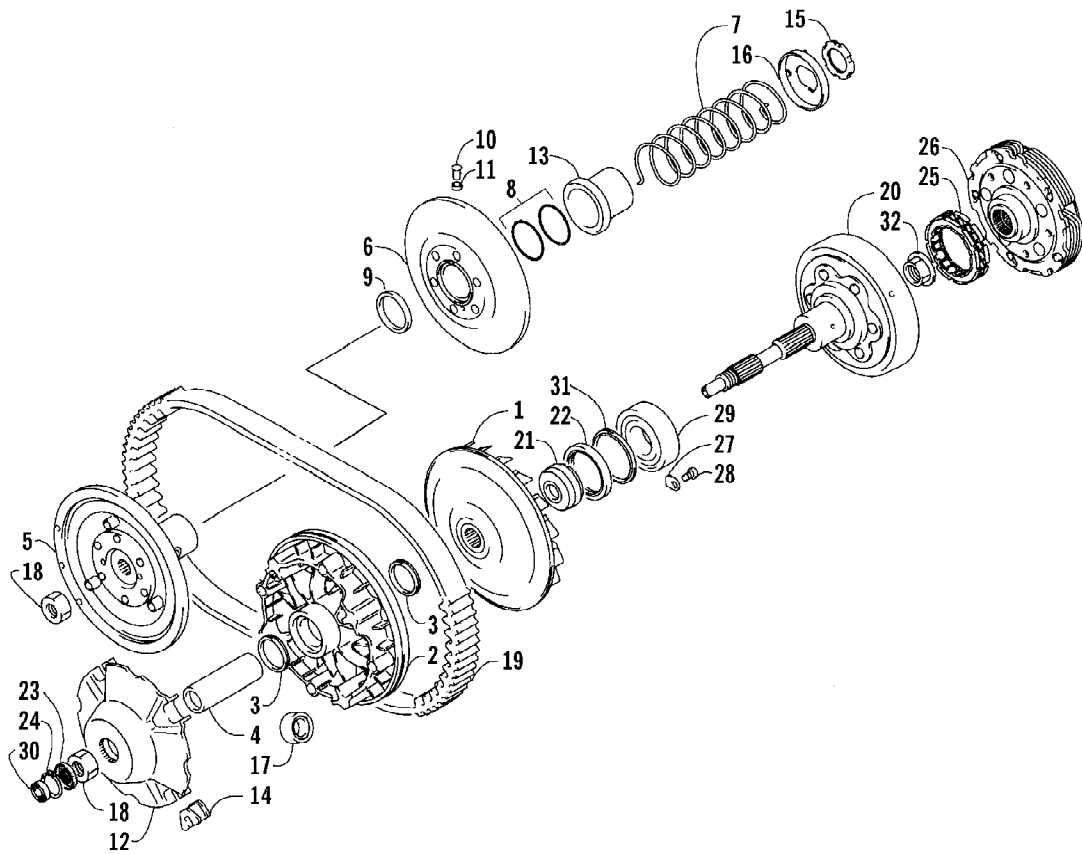
Ref #	Part Number	Qty	S/P/F	Description
	0409-002	1		Complete Taillight Assembly
1	0109-460	1	/P	Bulb, Stop/Taillight
2	0409-011	1		Taillight w/Socket Assembly
3	0409-012	1		Gasket, Taillight Lens
4	0409-007	1		Lens, Taillight
5	0409-010	2		Screw, Machine
6	0623-301	2	/P	Screw, Self-Tapping
7	8053-212	2	/P	Washer, Lock - External Tooth



2002 ATV 375 AUTOMATIC TRANSMISSION (4X4 GREEN) (A2002ATG4BUS) Page 83 of 89
THROTTLE CASE ASSEMBLY

Ref #	Part Number	Qty	S/P/F	Description
1	3509-003	1	/P	Case, Throttle - Assembly (inc. 2-7)
2	3409-001	1		Lever
3	3423-420	1		Bolt
4	3004-447	1	/P	Washer, Lock
5	3423-199	2		Screw
6	3423-014	1		Screw
7	3423-327	1		Nut

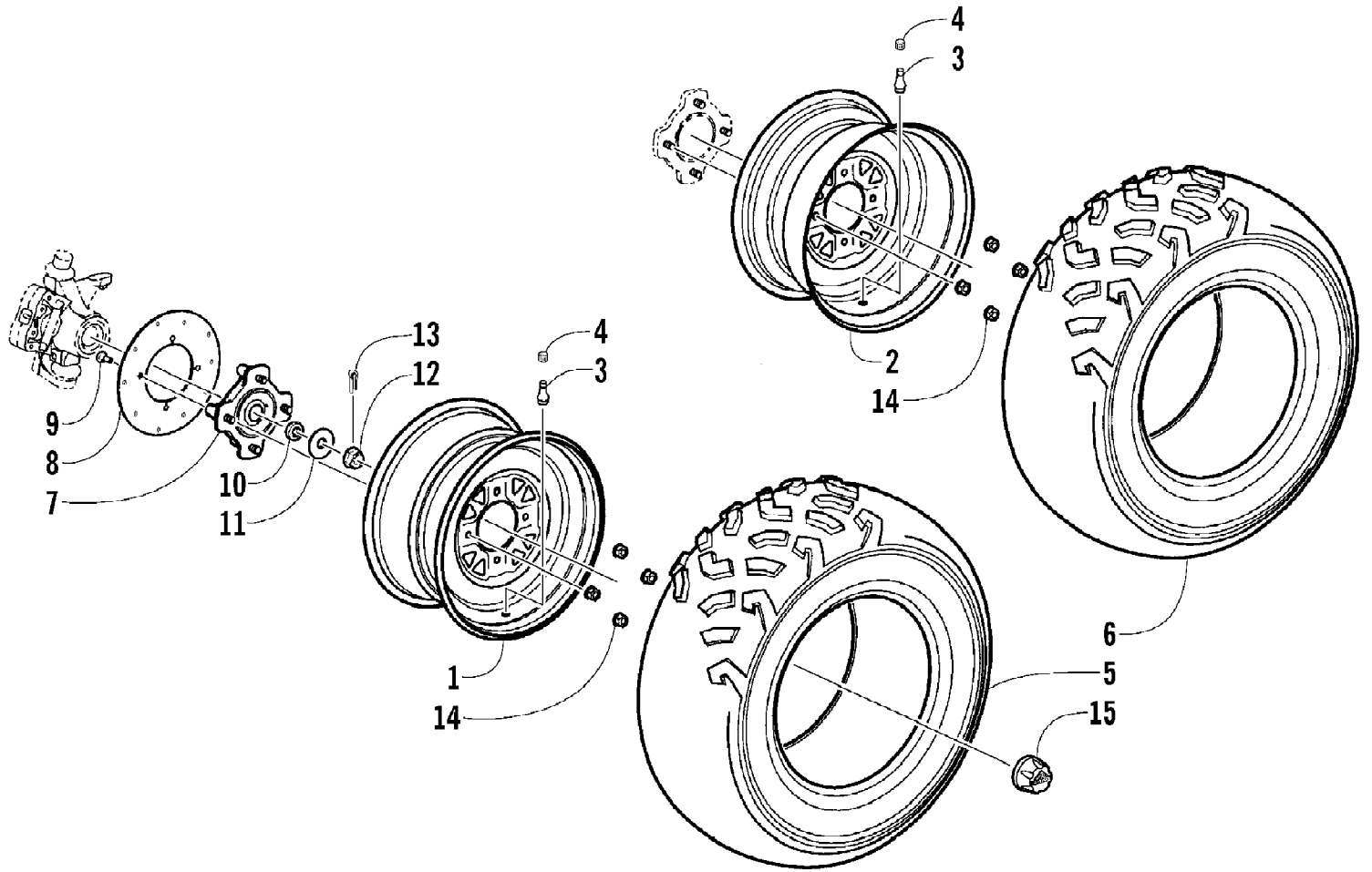
2002 ATV 375 AUTOMATIC TRANSMISSION (4X4 GREEN) (A2002ATG4BUS) Page 84 of 89
TRANSMISSION ASSEMBLY



2002 ATV 375 AUTOMATIC TRANSMISSION (4X4 GREEN) (A2002ATG4BUS) Page 85 of 89
TRANSMISSION ASSEMBLY

Ref #	Part Number	Qty	S/P/F	Description
1	3402-622	1		Face, Fixed Drive
2	3402-623	1		Face, Movable Drive
3	3402-624	2		Seal, Movable Drive Face
4	3402-625	1		Spacer, Movable Drive Face
5	3402-626	1	S	Face, Fixed Driven
6	3402-627	1		Face, Movable Driven
7	3423-486	1		Spring, Movable Driven Face
8	3423-487	2		O-Ring, Movable Driven Face
9	3402-629	2		Seal, Movable Driven Face
10	3402-477	3		Pin, Movable Driven Face
11	3402-478	3		Spacer, Movable Driven Face
12	3402-630	1		Plate, Movable Drive Face
13	3402-631	1		Sleeve, Movable Driven Face
14	3402-481	4		Damper, Movable Drive Face
15	3423-489	1		Nut, Driven Pulley
16	3402-632	1		Holder, Movable Driven Face Spring
17	3402-633	8		Roller, Movable Drive Face
18	3423-437	2		Nut
19	3402-664	1		V-Belt
20	3402-620	1		Housing, Clutch
21	3402-621	1		Spacer, Fixed Drive Face
22	3402-535	1	S	Seal, Clutch Housing
23	3402-574	1		Seal, Clutch Housing
24	3423-505	1	S	Circlip
25	3446-003	1		Clutch, One Way
26	3446-278	1	S	Shoe, Clutch - Assembly
27	3446-031	2	/P	Retainer, Bearing
28	3423-435	2		Screw, Bearing Retainer
29	3402-567	1		Bearing
30	3402-693	1		Bearing
31	3423-353	1	/P	O-Ring
32	3423-501	1		Nut

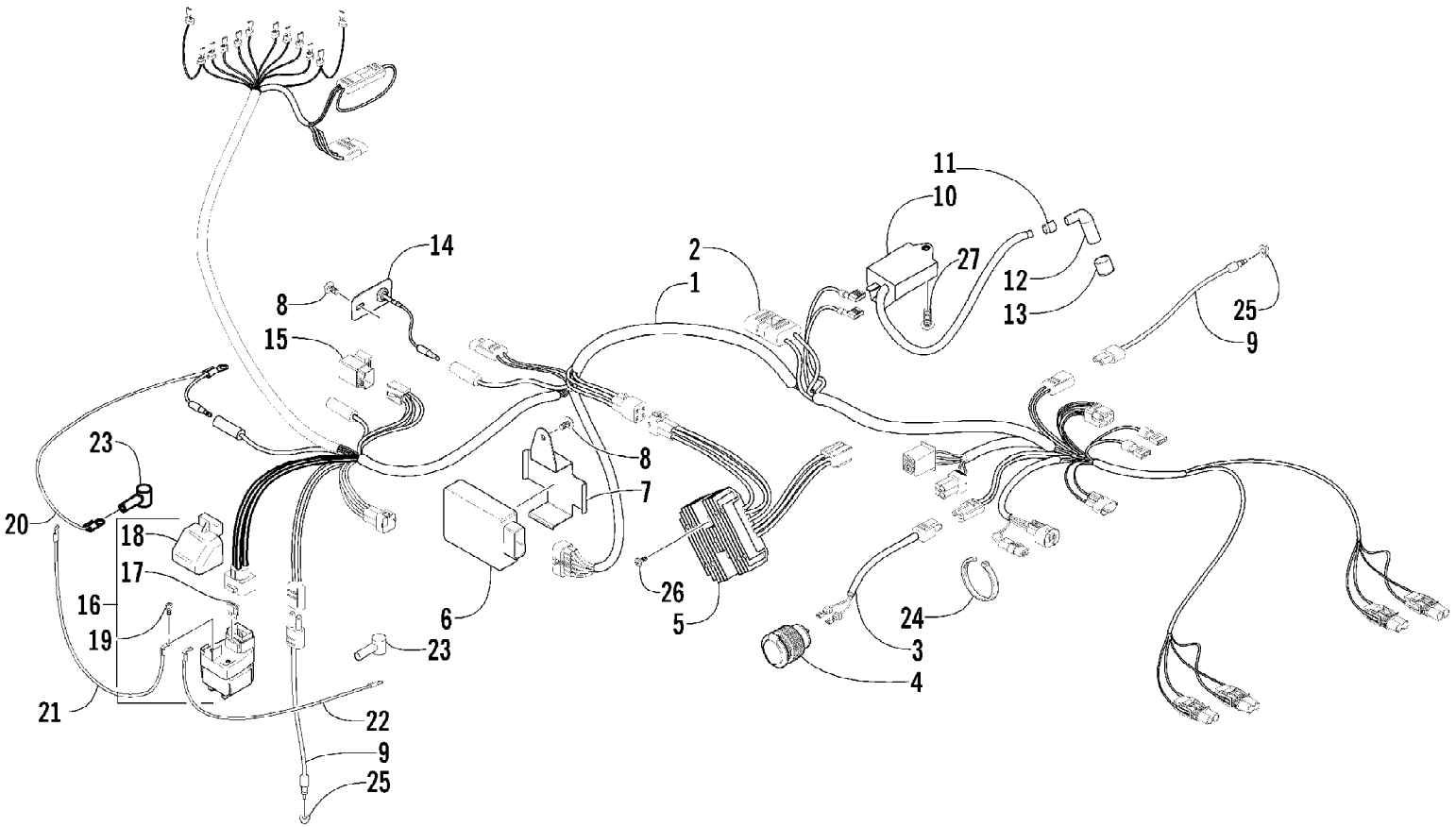
2002 ATV 375 AUTOMATIC TRANSMISSION (4X4 GREEN) (A2002ATG4BUS) Page 86 of 89
WHEEL AND TIRE ASSEMBLY



2002 ATV 375 AUTOMATIC TRANSMISSION (4X4 GREEN) (A2002ATG4BUS) Page 87 of 89
WHEEL AND TIRE ASSEMBLY

Ref #	Part Number	Qty	S/P/F	Description
1	0402-888	2		Wheel - Front
2	0402-885	2		Wheel - Rear
3	0402-064	4		Stem, Valve (inc. 4)
4	0402-140	4		Cap, Valve Stem
5	0402-890	2		Tire - Front
6	0402-887	2		Tire - Rear
7	0502-260	2	S/P	Hub, Wheel - Front
7	0502-258	2	/P	Hub, Wheel - Front (4X4)
8	0402-874	2	S	Disc, Brake
9	0423-029	8		Screw, Machine
10	0402-181	2		Seal, Hub
11	0423-080	2		Washer
12	0423-346	2		Nut, Hex
13	0123-458	2	/P	Pin, Cotter
14	0423-322	16		Nut, Mounting - Wheel
15	0403-035	2	/P	Cap, Wheel - Center

2002 ATV 375 AUTOMATIC TRANSMISSION (4X4 GREEN) (A2002ATG4BUS) Page 88 of 89
WIRING HARNESS ASSEMBLY



2002 ATV 375 AUTOMATIC TRANSMISSION (4X4 GREEN) (A2002ATG4BUS) Page 89 of 89
WIRING HARNESS ASSEMBLY

Ref #	Part Number	Qty	S/P/F	Description
1	0486-090	1		Harness, Main (inc. 2)
2	0486-029	1		Diode (Start In Gear)
3	0486-004	1		Harness, 12V Receptacle (4X4)
4	0445-022	1	S	Receptacle, 12V (4X4)
5	3402-682	1		Regulator, Voltage
6	3402-683	1		CDI Unit
7	0406-909	1	S	Bracket, CDI Unit
8	8476-616	2		Screw, Machine
9	0409-009	2		Switch, Brake
10	3430-055	1		Coil, Ignition - Assembly
11	3430-009	1	/P	Seal, High Tension Wire
12	3430-007	1	/P	Cap, Spark Plug
13	3430-008	1	/P	Seal, Spark Plug Cap
14	0586-003	1		Diode Assembly
15	3530-008	1	S	Relay, Neutral Start - Assembly
16	3530-001	1	/P	Relay, Starter Motor - Assembly (inc. 17-18)
17	0630-098	1		Fuse, 30 Amp
18	3530-010	1		Cover, Starter Motor Relay
19	3423-020	2	/P	Screw, Cap
20	0445-003	1	/P	Cable, Battery/Electric Start
21	0445-020	1		Cable, Battery/Ground
22	0445-019	1		Cable, Battery/Electric Start Relay
23	0645-019	2		Boot, Terminal
24	0123-788	AR	/P	Cable Tie - 7 in.
25	0402-168	2	/P	Retainer, Brake Switch
26	8476-625	2		Screw, Machine
27	8476-620	2		Screw, Machine