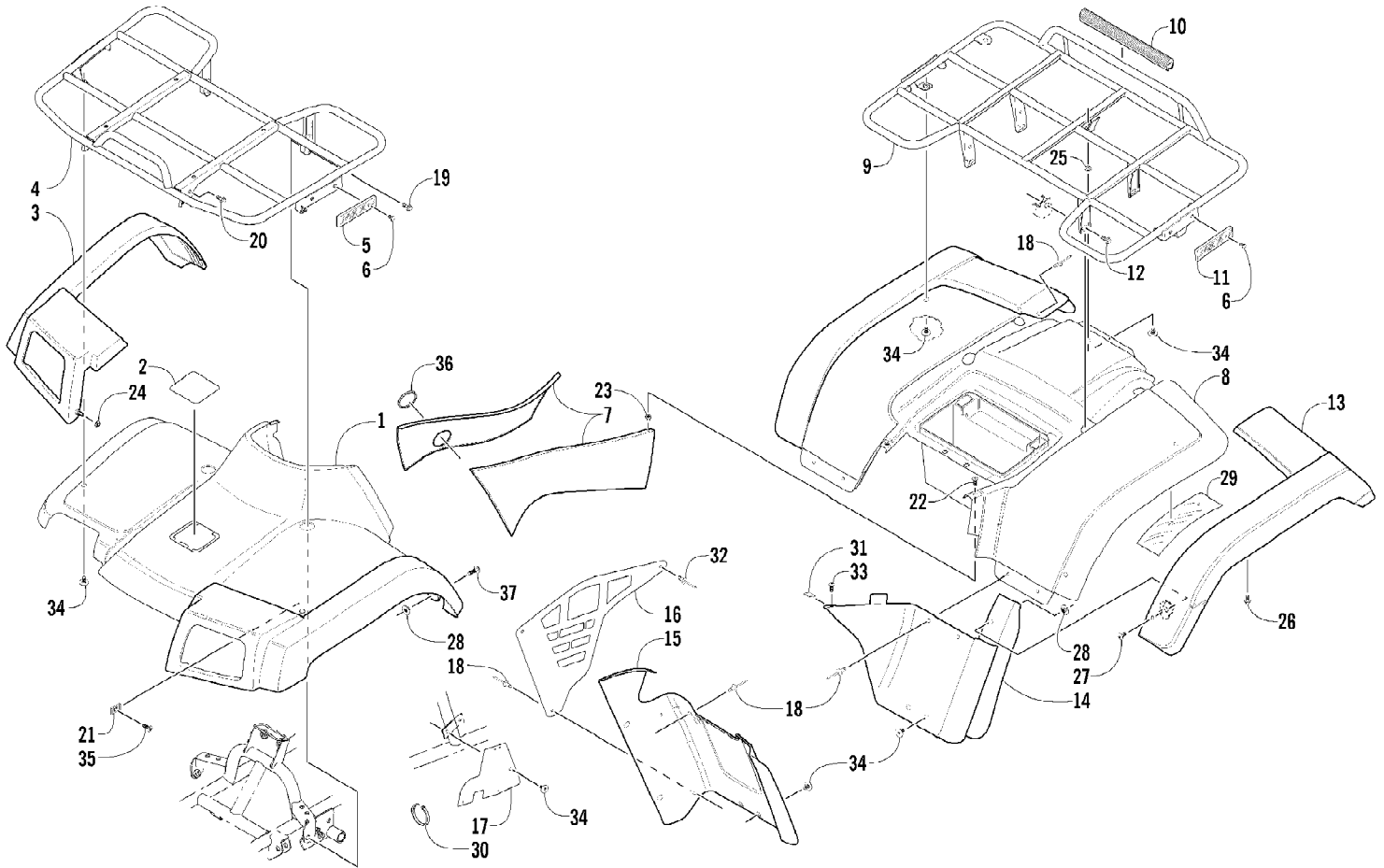


2002 ATV 250/300 (250 4X4 GREEN) (A2002ATE4AUSG)
AIR INTAKE ASSEMBLY

Page 2 of 84

Ref #	Part Number	Qty	S/P/F	Description
1	3570-001	1	/P	Intake, Air - Assembly (inc. 2-5)
2	3402-330	1		Slider, Retainer - Filter
3	0470-421	1		Filter, Air
4	3402-331	1		Cap
5	8477-610	2		Screw, Cap
6	3423-329	1		Joint
7	3423-311	2		Clamp
8	3423-313	5		Clip
9	0423-127	1		Plug, Drain
10	0470-442	1	/P	Valve, Air Intake
11	0423-071	1		Clamp
12	3470-004	1		Tube, Crankcase Breather
13	3402-236	1	/P	Clamp
14	0470-347	1		Boot, Air Intake
15	3402-235	1		Clamp
16	0570-062	1		Snorkel, Air Intake - Assembly (inc. 17-19)
17	0623-101	1		Clip, Routing
18	0406-379	1	/P	Strap, Tool Kit
19	0606-586	1		Plug, Hole - Retaining Clip
20	0444-122	1	S/P	Kit, Tool
21	8476-616	5		Screw, Cap
22	0423-128	1		Spring, Vent Tube
23	3402-334	1		Plug, Breather
24	3470-002	1		Valve, Check
25	3423-424	1		Clip
26	0423-047	1		Clamp
27	8053-212	1	/P	Washer, Lock - External Tooth

2002 ATV 250/300 (250 4X4 GREEN) (A2002ATE4AUSG)
BODY PANEL ASSEMBLY



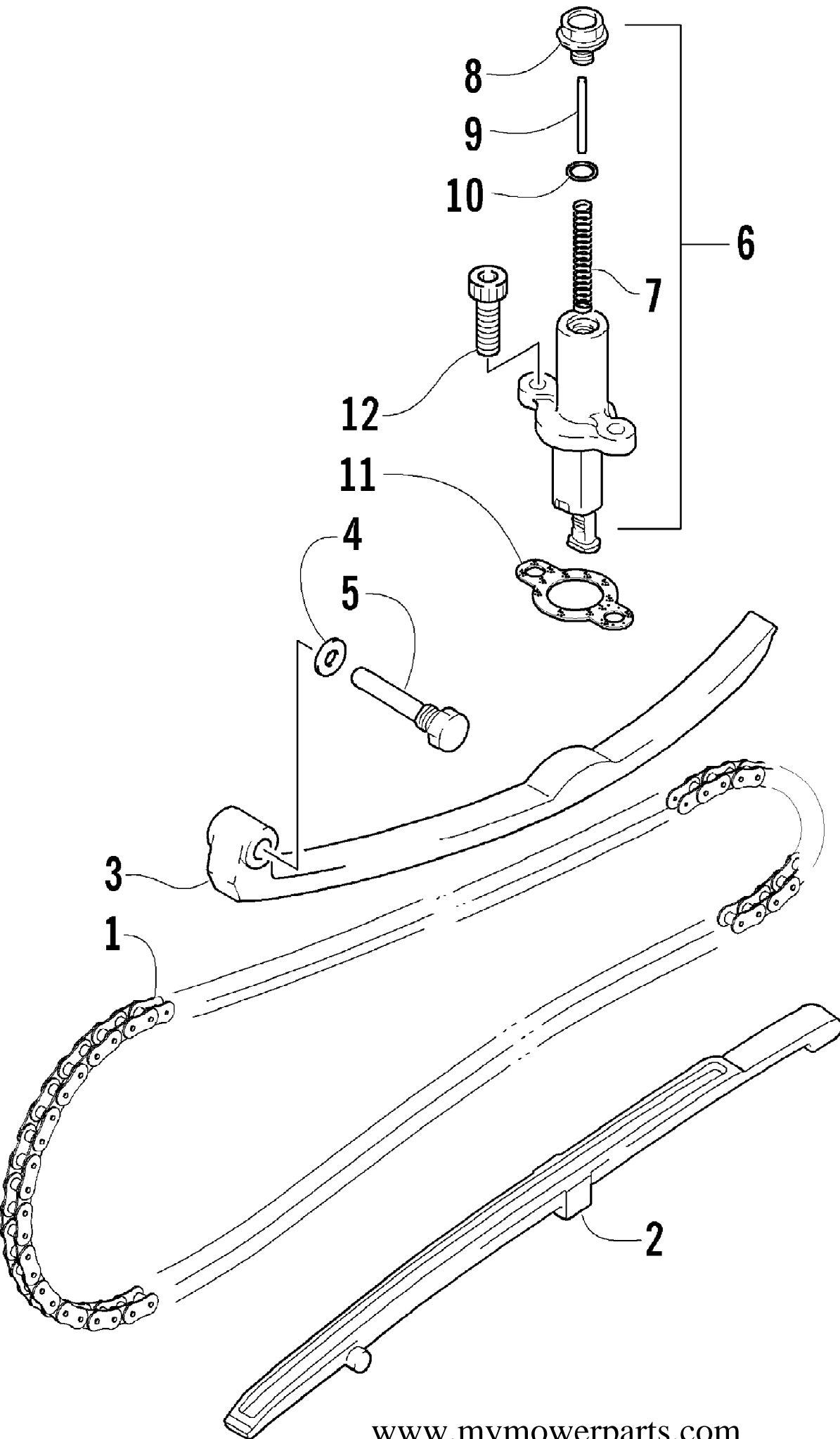
2002 ATV 250/300 (250 4X4 GREEN) (A2002ATE4AUSG)
BODY PANEL ASSEMBLY

Page 4 of 84

Ref #	Part Number	Qty	S/P/F	Description
1	0506-605	1		Panel, Fender - Front (Red)
1	0506-604	1		Panel, Fender - Front (Green)
1	0506-632	1		Panel, Fender - Front (300 4X4) (Red)
1	0506-633	1		Panel, Fender - Front (300 4X4) (Green)
2	0406-244	1	S/P	Cover, Access (Red)
2	0406-975	1	S	Cover, Access (Green)
3	0506-550	1		Flare - Front Right (300 4X4)
3	0506-551	1		Flare - Front Left (300 4X4)
4	0506-525	1		Rack - Front
4	0506-547	1		Rack - Front (300 4X4)
5	0606-526	2		Reflector, Front - Amber
6	0623-269	8		Clip, Retaining
7	0506-548	1		Panel, Side - Right (Red)
7	0506-243	1		Panel, Side - Left (Red)
7	0506-549	1		Panel, Side - Right (Green)
7	0506-673	1		Panel, Side - Left (Green)
8	0506-617	1		Panel, Fender - Rear (Red)
8	0506-619	1		Panel, Fender - Rear (Green)
8	0506-583	1		Panel, Fender - Rear (300 4X4) (Red)
8	0506-588	1		Panel, Fender - Rear (300 4X4) (Green)
9	0506-607	1		Rack - Rear
9	0506-608	1	S	Rack - Rear (300 4X4)
10	0406-293	1		Wrap, Tube - Rear Rack (300 4X4)
11	0606-029	2		Reflector, Rear - Red
12	8409-020	4	/P	Screw, Cap
13	0506-552	1		Flare - Rear Right (300 4X4)
13	0506-553	1		Flare - Rear Left (300 4X4)
14	0406-084	1		Fender Extension - Rear Right
14	0406-085	1		Fender Extension - Rear Left
15	0506-272	1		Panel, Kick - Right
15	0506-629	1		Panel, Kick - Left
15	0506-625	1		Panel, Kick - Right (300 4X4)
15	0506-627	1		Panel, Kick - Left (300 4X4)
16	0406-374	2		Panel, Deflector
17	1406-045	2		Fender, Panel - Inner (300 4X4)
18	0423-046	AR		Rivet, Plastic
19	0423-360	2		Screw, Cap
20	8408-816	2		Screw, Cap
21	0423-031	2		Nut, Speed
22	0423-068	2		Screw, Machine
23	0123-010	2	/P	Nut, Expansion
24	0423-357	2		Nut, Stamped (300 4X4)
25	0423-332	1		Washer, Rubber
26	0423-342	AR	/P	Screw, Self-Tapping (300 4X4)
27	8477-610	2		Screw, Shoulder
27	0423-355	2		Screw, Shoulder (300 4X4)
28	0423-077	4	/P	T-Nut
29	0619-230	AR	/P	Tape, Foil
30	0123-788	AR	/P	Cable Tie - 7.5 in.
31	0423-060	2		Clip, Tinerman
32	0623-362	2		Rivet, Plastic
33	0623-309	2		Screw, Self-Tapping
34	0423-101	AR		Screw, Machine

2002 ATV 250/300 (250 4X4 GREEN) (A2002ATE4AUSG)
BODY PANEL ASSEMBLY

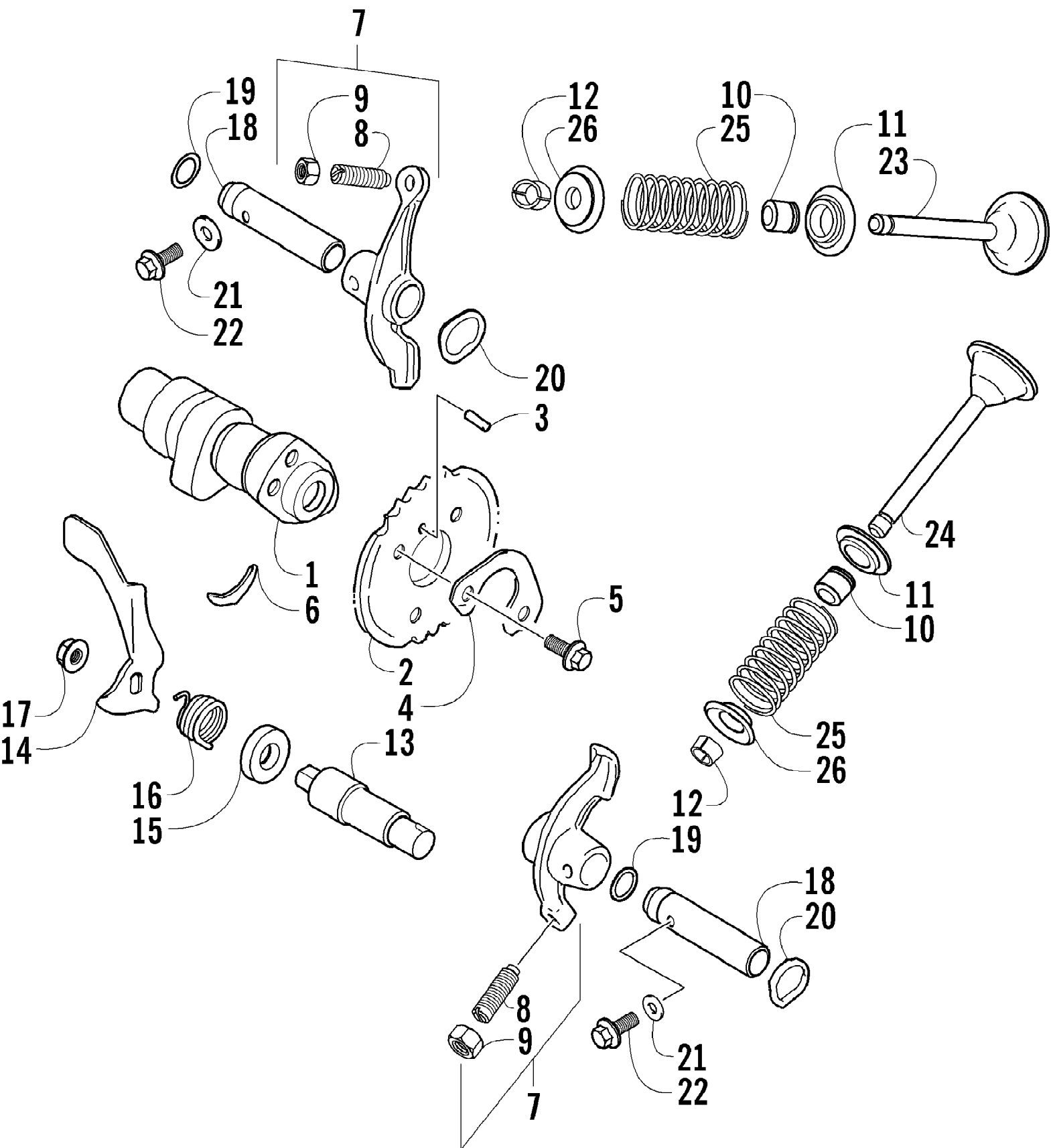
Ref #	Part Number	Qty	S/P/F	Description
35	8477-616	2		Screw, Machine
36	0470-404	1		Grommet, Fuel Shut-Off Valve Knob
37	8477-610	2		Screw, Shoulder
37	0423-356	2		Screw, Shoulder (300 4X4)



2002 ATV 250/300 (250 4X4 GREEN) (A2002ATE4AUSG)
CAM CHAIN ASSEMBLY

Page 7 of 84

Ref #	Part Number	Qty	S/P/F	Description
1	3402-398	1		Chain, Camshaft
1	3402-281	1		Chain, Camshaft (300)
2	3402-399	1	S	Guide, Camshaft Chain
2	3402-277	1		Guide, Camshaft Chain (300)
3	3402-400	1		Tensioner, Camshaft Chain
3	3402-282	1		Tensioner, Camshaft Chain (300)
4	3003-188	1	S/P	Washer
5	3423-074	1		Screw, Cap
6	3402-283	1		Adjuster, Tensioner - Assembly (inc. 7-10)
7	3402-284	1		Spring
8	3402-285	1		Plug
9	3402-286	1		Bar
10	3423-286	1		O-Ring
11	3402-287	1		Gasket, Adjuster
12	3004-576	2	S	Screw, Cap



2002 ATV 250/300 (250 4X4 GREEN) (A2002ATE4AUSG)
CAMSHAFT/VALVE ASSEMBLY

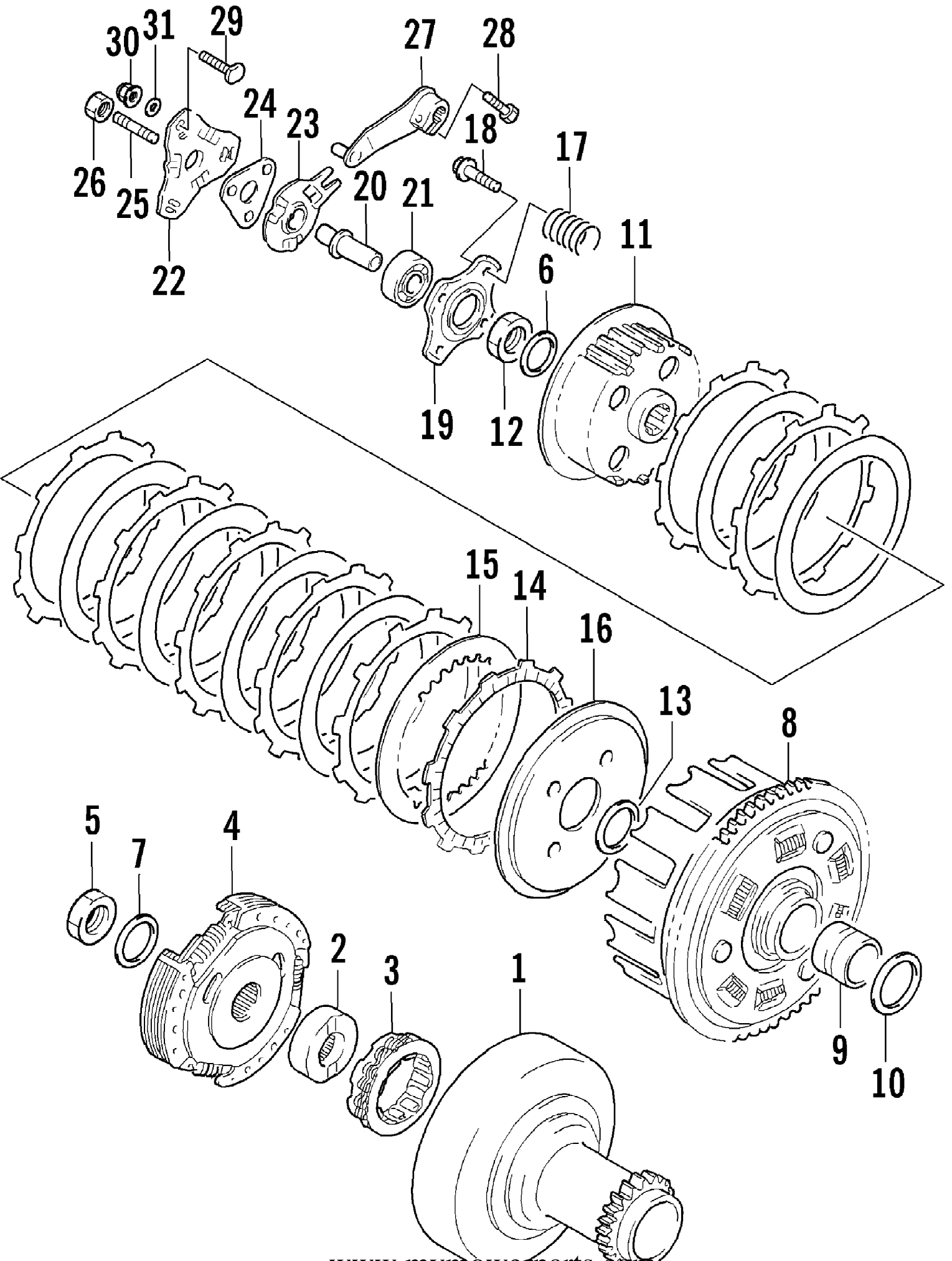
Page 9 of 84

Ref #	Part Number	Qty	S/P/F	Description
1	3402-397	1		Camshaft
1	3402-275	1		Camshaft (300)
2	3402-427	1		Sprocket
2	3402-326	1	S	Sprocket (300)
3	3423-047	1		Pin
4	3423-284	1	S	Washer
5	3423-013	2	S	Screw
6	3423-071	1	/P	C-Ring
7	3402-288	2		Arm, Valve Rocker (inc. 8-9)
8	3423-287	2		Screw, Cap
9	3423-288	2		Nut
10	3402-226	2		Seal, Oil
11	3402-403	2		Seat, Valve Spring
11	3402-294	2		Seat, Valve Spring (300)
12	0693-281	4	/P	Cotter, Valve
13	3402-295	1		Shaft, Decompression Lever
14	3402-296	1		Lever, Decompression
15	3402-225	1		Seal, Oil
16	3402-242	1		Spring
17	3004-326	1	S/P	Nut
18	3402-289	2		Shaft, Rocker Arm
19	3423-052	2		O-Ring
20	3423-259	2		Washer
21	3003-290	2	/P	Gasket
22	0693-416	2		Screw, Cap
23	3402-290	1		Valve, Intake
24	3402-291	1		Valve, Exhaust
25	3402-401	2		Spring, Valve - Set
25	3402-292	2		Spring, Valve - Set (300)
26	3402-402	2		Retainer, Spring
26	3402-293	2	S	Retainer, Spring (300)

2002 ATV 250/300 (250 4X4 GREEN) (A2002ATE4AUSG)
CARBURETOR

Page 11 of 84

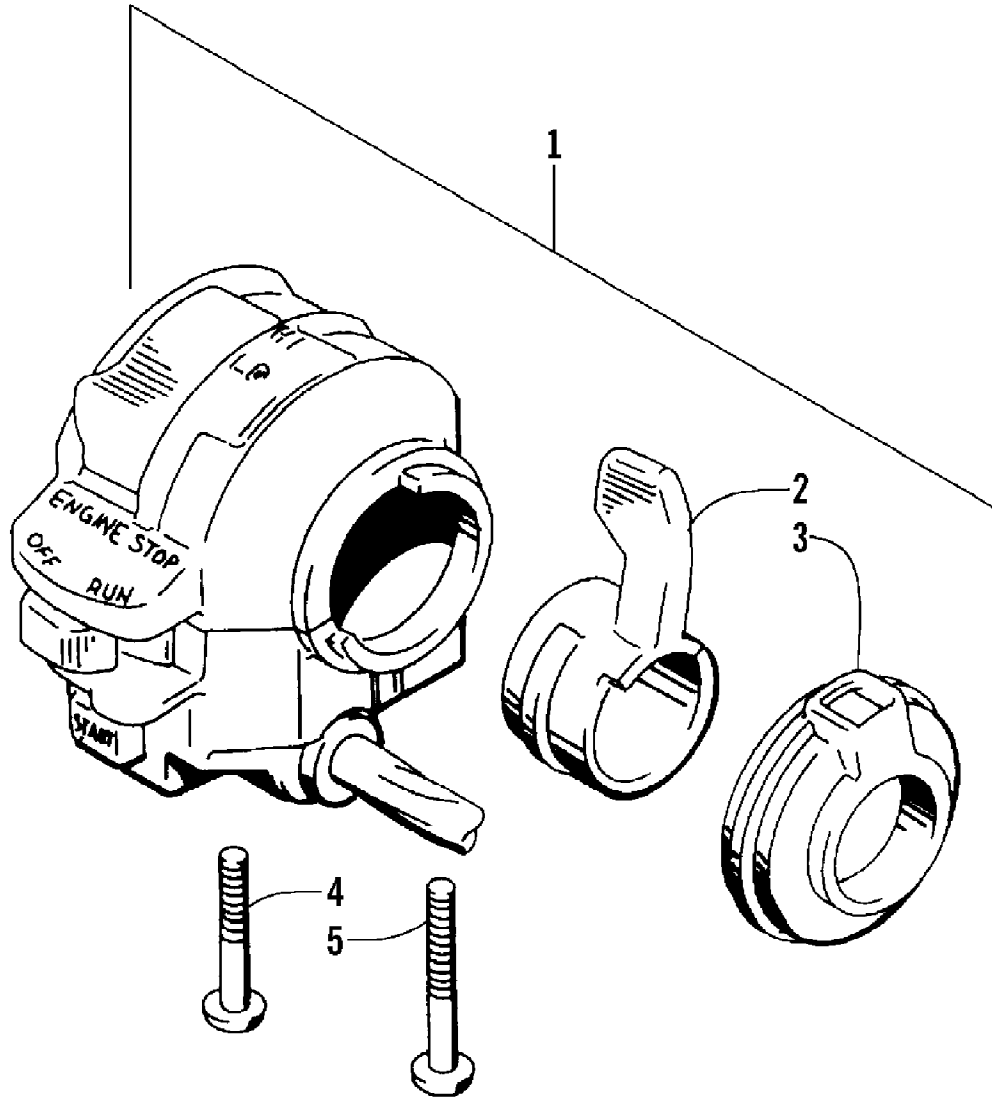
Ref #	Part Number	Qty	S/P/F	Description
1	5507-001	1		Cover, Top
2	5507-002	3	/P	Screw, Top Cover
3	5507-052	1		Spring
4	5507-053	1		Piston, Vacuum
5	5507-054	1		Spring, Seat
6	5507-055	1		Jet Needle
7	5507-056	1		Needle Jet
8	5507-047	1	/P	Holder, Needle Jet
9	5507-088	1	S	Main Jet - 138
9	5507-057	1	/P	Main Jet - 135 (300)
9	5507-041	1	F	Main Jet - 147
9	5507-042	1	/P/F	Main Jet - 145
9	5507-043	1	F	Main Jet - 142
9	5507-044	1	F	Main Jet - 140
9	5507-009	1	/P/F	Main Jet - 150
10	5507-010	1	S	Slow Jet
11	5507-090	1		Starter Jet - 60
11	5507-058	1		Starter Jet - 65 (300)
12	5507-038	1		Valve, Float - Set (inc. 13)
13	0	1	F	Clip
14	0	1	F	Pin, Float
15	5507-039	1		Float Set (inc. 14)
16	5507-050	1	/P	Screw, Drain
17	5507-089	4	S	Screw
17	5507-017	4	/P	Screw (300)
18	5507-040	1		Screw, Pilot Air - Set (inc. 19-21)
19	0	1	F	O-Ring
20	0	1	F	Spring
21	0	1	F	Washer
22	5507-022	1		Valve, Starter
23	5507-023	1		Spring
24	5507-024	1		O-Ring
25	5507-025	1		Cap
26	5507-026	1		Cap, Rubber
27	5507-059	1		Screw, Idle Adjust (inc. 35)
28	5507-028	1		Washer
29	5507-029	1		Spring
30	5507-083	1	/P	Tube, Vinyl
31	5507-036	1		Cover
32	5507-037	1	/P	Screw
33	0487-017	1		Cable, Choke
34	0487-019	1		Cable, Throttle
35	0	1	F	Bracket, Idle Adjust Screw
36	0	1	F	Chamber, Float - Assembly (inc. 16 and 37)
37	5507-068	1		O-Ring, Float Chamber
38	5507-035	1		Screw



2002 ATV 250/300 (250 4X4 GREEN) (A2002ATE4AUSG)
CLUTCH ASSEMBLY

Page 13 of 84

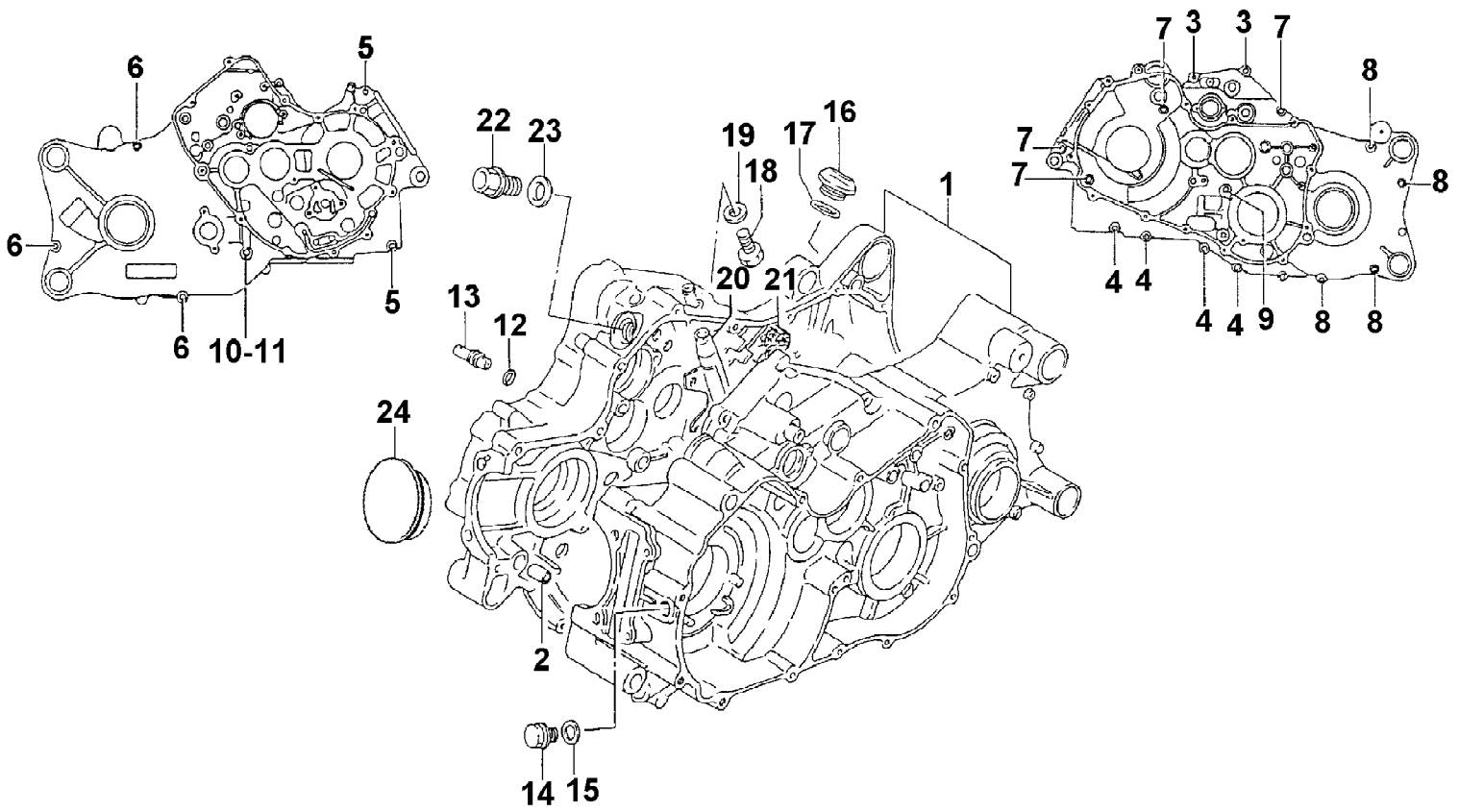
Ref #	Part Number	Qty	S/P/F	Description
1	3446-253	1	/P	Gear, Primary Drive
1	3446-120	1	S	Gear, Primary Drive (300)
2	3446-129	1		Race, Inner
3	3446-122	1		Clutch, One Way
4	3446-257	1		Clutch Assembly
4	3446-128	1		Clutch Assembly (300)
5	3423-253	1		Nut
6	3423-032	1		Washer, Lock
7	3423-260	1	S	Washer, Lock
8	3446-254	1		Gear, Primary - Assembly
8	3446-121	1		Gear, Primary - Assembly (300)
9	3402-206	1		Spacer
10	3402-211	1		Washer
11	3446-255	1		Hub, Clutch
11	3446-123	1		Hub, Clutch (300)
12	3423-254	1		Nut
13	3423-316	1		Washer
14	3446-124	7		Plate, Drive
14	3446-124	8		Plate, Drive (300)
15	3446-125	6		Plate, Driven
15	3446-125	7		Plate, Driven (300)
16	3446-256	1		Plate, Clutch Pressure
16	3446-126	1		Plate, Clutch Pressure (300)
17	3402-239	4		Spring
18	3004-341	4	S/P	Screw, Cap
19	3446-127	1		Plate, Release
20	3446-130	1		Rod, Push
21	3402-043	1	/P	Bearing
22	3446-133	1		Guide, Ball - Outer
23	3446-131	1		Guide, Ball - Inner
24	3446-134	1		Ball, Release
25	3423-248	1		Screw, Adjuster
26	3423-022	1		Nut, Adjuster
27	3446-132	1		Arm, Release
28	3423-125	1	S	Screw, Cap
29	3423-245	3		Screw, Cap
30	0693-316	3	S	Nut
31	3003-290	3	/P	Seal, Cap Screw



2002 ATV 250/300 (250 4X4 GREEN) (A2002ATE4AUSG)
CONTROL SWITCH HOUSING ASSEMBLY

Page 15 of 84

Ref #	Part Number	Qty	S/P/F	Description
1	3509-001	1	S	Switch, Handlebar Control - Assembly (inc. 2-5)
2	3409-009	1		Lever, Choke
3	3409-010	1		Cover, Choke Lever
4	3423-196	1		Screw, Cap
5	3423-197	1		Screw, Cap

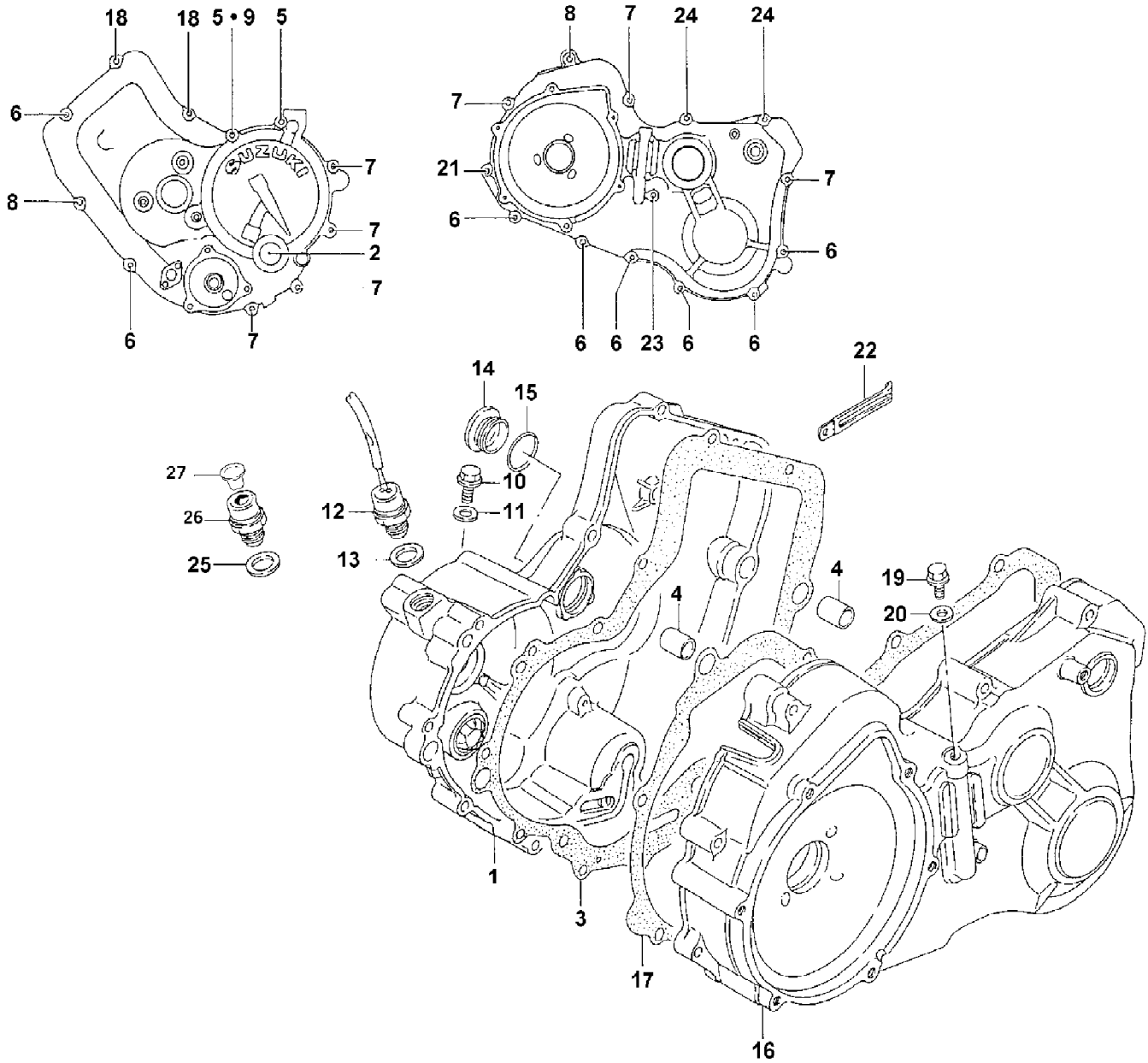


2002 ATV 250/300 (250 4X4 GREEN) (A2002ATE4AUSG)
CRANKCASE ASSEMBLY

Page 17 of 84

Ref #	Part Number	Qty	S/P/F	Description
1	3402-528	1	/P	Crankcase Set (inc. 2-13)
1	3402-253	1		Crankcase Set (inc. 2-13) (300 2X4)
1	3402-314	1	S	Crankcase Set (inc. 2-13) (300 4X4)
2	3423-088	2		Pin, Dowel
3	3423-162	2	S	Screw, Cap
4	3423-098	4	S	Screw, Cap
5	3423-091	2	S	Screw, Cap
6	3423-307	3	S	Screw, Cap
7	3423-308	4	S	Screw, Cap
8	3423-094	4		Screw, Cap
9	3423-232	1		Screw, Cap
10	3423-234	1		Screw, Cap
11	3005-243	1		Gasket
12	3423-051	1		O-Ring, Oil Gallery Jet
13	3402-245	1		Jet, Oil Gallery
14	3402-214	1		Plug
15	3402-012	1		Gasket
16	3402-212	1		Cap, Oil Filler
17	3423-274	1	/P	O-Ring
18	3402-404	1		Plug, Oil Drain
18	3402-327	1	S	Plug, Oil Drain (300)
19	3402-011	1		Gasket
20	3402-413	1		Pipe, Breather
20	3402-530	1		Pipe, Breather (250 4X4)
20	3402-257	1		Pipe, Breather (300)
21	3402-250	1		Separator, Oil Breather (300)
22	3402-258	1		Plug, Reverse Switch Hole
23	3423-271	1		O-Ring
24	3423-208	1		Plug, Crankcase (250 2X4)

2002 ATV 250/300 (250 4X4 GREEN) (A2002ATE4AUSG)
CRANKCASE COVER ASSEMBLY

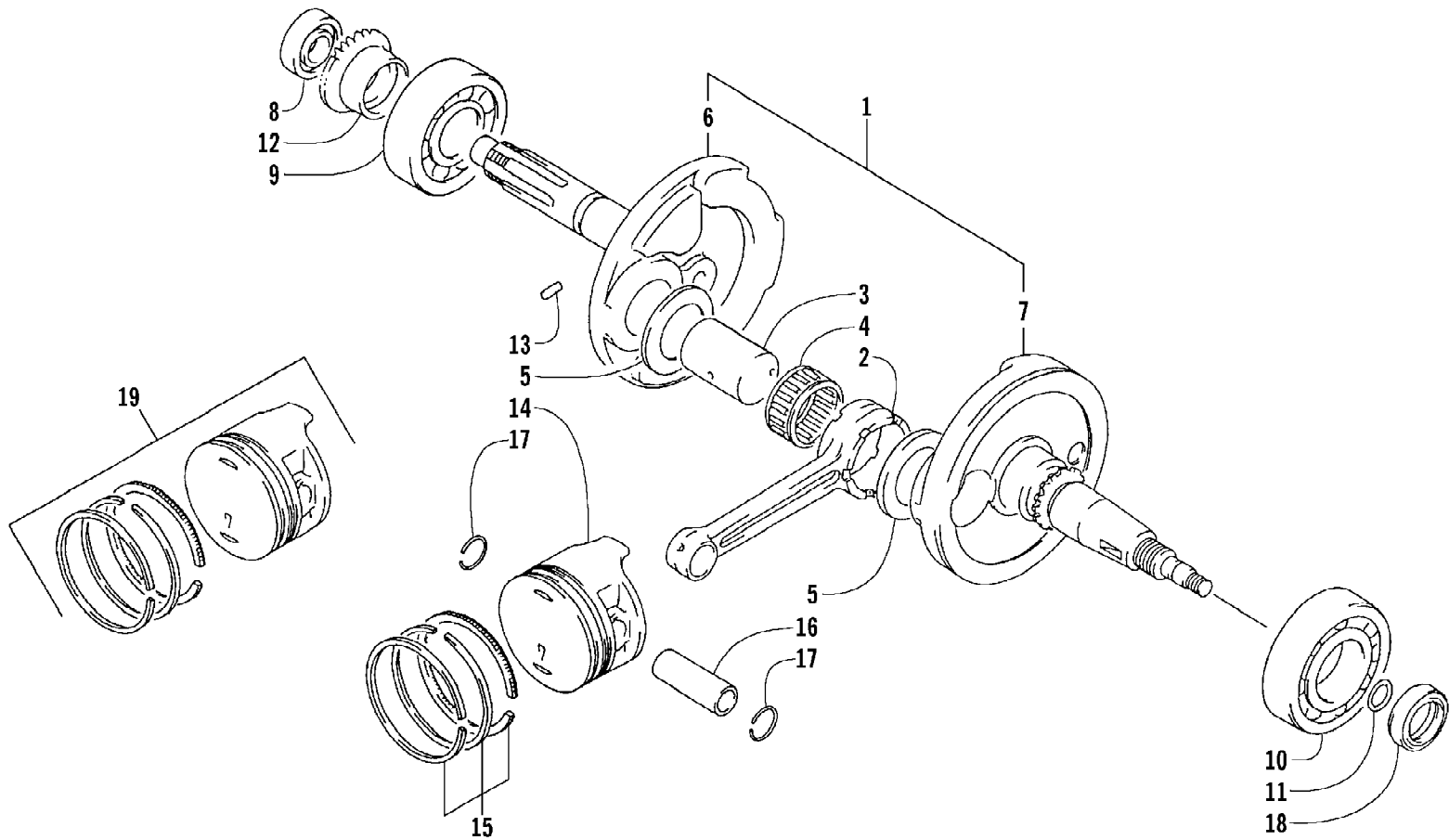


2002 ATV 250/300 (250 4X4 GREEN) (A2002ATE4AUSG)
CRANKCASE COVER ASSEMBLY

Page 19 of 84

Ref #	Part Number	Qty	S/P/F	Description
1	3402-254	1	/P	Cover, Clutch (inc. 2)
2	3402-112	1	/P	Lens, Oil Inspection
3	3402-280	1	S	Gasket
4	3423-088	4		Pin, Dowel
5	3423-231	2		Bolt
6	0693-327	8	S	Bolt
7	3423-098	7	S	Bolt
8	3423-307	2	S	Bolt
9	3003-290	1	/P	Gasket
10	3004-705	2	S	Plug, Oil Gallery
11	3005-242	2		Gasket
12	3430-019	1		Switch, Oil Sensor (300)
13	3402-013	1	/P	Gasket (300)
14	3402-215	1		Cap, Clutch Adjust
15	3423-274	1	/P	O-Ring
16	3402-256	1		Cover, Transfer
17	3402-262	1		Gasket, Transfer Cover
18	0693-327	2	S	Bolt
18	3423-098	2	S	Bolt (300)
19	3004-339	1	S/P	Plug, Oil Gallery
20	3003-290	1	/P	Gasket
21	3004-756	1	S	Screw, Cap
22	0693-274	2	/P	Clamp, Breather Hose
22	3402-237	2		Clamp, Breather Hose (300)
23	3423-308	1	S	Screw, Cap
24	3423-091	2	S	Screw, Cap
25	3402-013	1	/P	Gasket (250)
26	3402-041	1	S	Plug, Oil Gallery (250)
27	3402-405	1		Cap, Oil Gallery Plug (250)

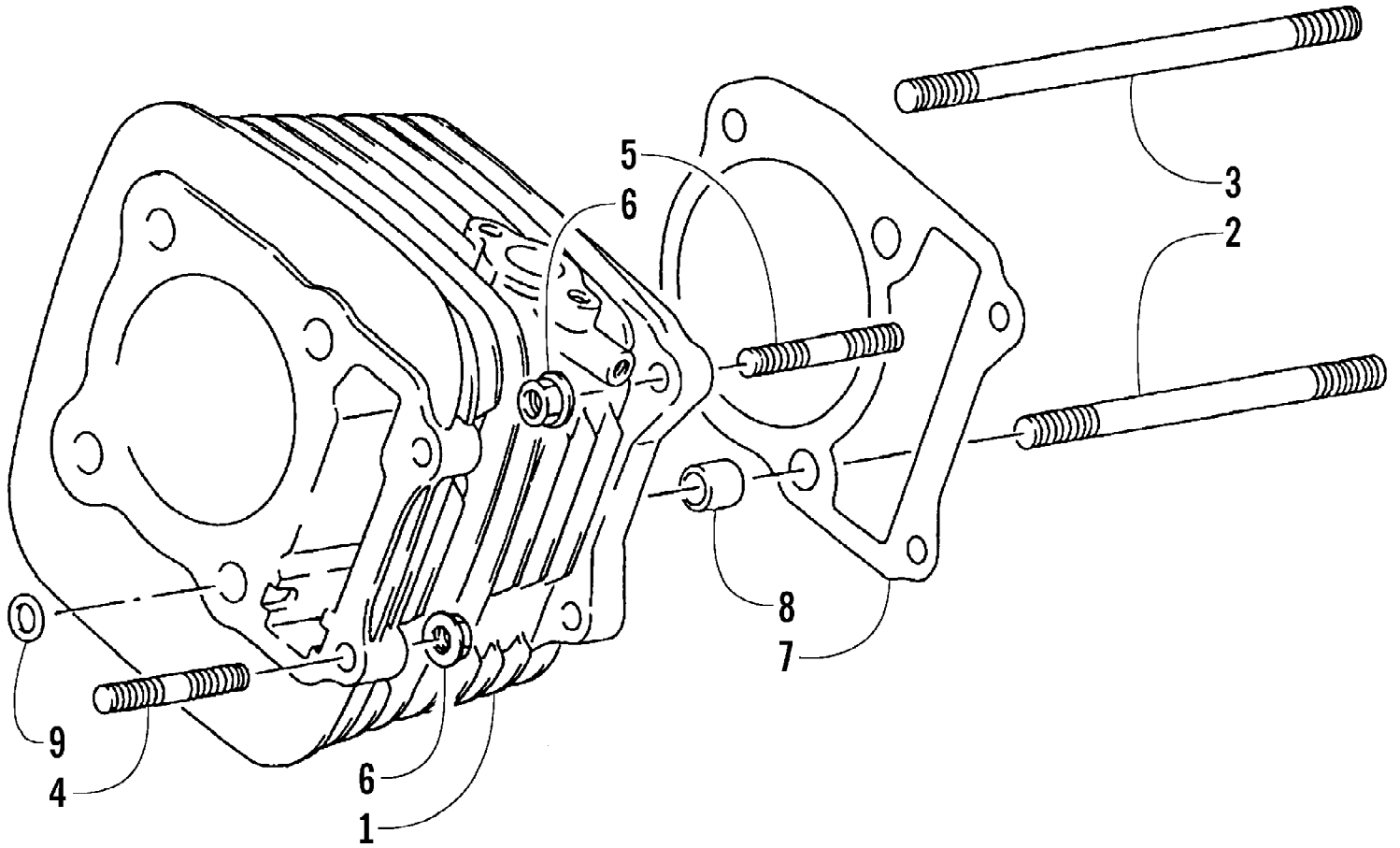
2002 ATV 250/300 (250 4X4 GREEN) (A2002ATE4AUSG)
CRANKSHAFT ASSEMBLY



2002 ATV 250/300 (250 4X4 GREEN) (A2002ATE4AUSG)
CRANKSHAFT ASSEMBLY

Page 21 of 84

Ref #	Part Number	Qty	S/P/F	Description
1	3402-419	1		Crankshaft Assembly (inc. 2-7)
1	3402-269	1		Crankshaft Assembly (inc. 2-7) (300)
2	3402-418	1		Rod, Connecting
2	3402-268	1		Rod, Connecting (300)
3	3402-529	1	/P	Pin, Crank
3	3402-270	1	S	Pin, Crank (300)
4	3402-406	1		Bearing
4	3402-223	1		Bearing (300)
5	3005-241	2		Washer (300)
6	3402-420	1		Crankshaft - Right
6	3402-271	1	S	Crankshaft - Right (300)
7	3402-421	1	S	Crankshaft - Left
7	3402-272	1	S	Crankshaft - Left (300)
8	3402-216	1		Bearing - Right
9	3402-221	1		Bearing - Middle
10	3402-180	1	S	Bearing - Left
10	3402-055	1	/P	Bearing - Left (300)
11	3423-053	1	/P	O-Ring
12	3402-428	1		Gear, Oil Pump Drive
12	3402-301	1		Gear, Oil Pump Drive (300)
13	3423-114	1	/P	Pin
14	3402-415	1		Piston
14	3402-265	1		Piston (300)
15	3402-416	1		Ring, Piston - Set
15	3402-266	1		Ring, Piston - Set (300)
15	3436-013	1		Ring, Piston - Set (Oversized 0.50 mm)
15	3436-014	1		Ring, Piston - Set (Oversized 1.00 mm)
15	3436-011	1		Ring, Piston - Set (Oversized 0.50 mm) (300)
15	3436-012	1		Ring, Piston - Set (Oversized 1.00 mm) (300)
16	3402-417	1		Pin, Piston
16	3402-267	1		Pin, Piston (300)
17	3423-366	2		Circlip
17	3423-280	2		Circlip (300)
18	3402-227	1		Seal, Oil
19	3402-423	1		Piston Set (Oversized 0.50 mm)
19	3402-424	1		Piston Set (Oversized 1.00 mm)
19	3402-306	1		Piston Set (Oversized 0.50 mm) (300)
19	3402-307	1		Piston Set (Oversized 1.00 mm) (300)

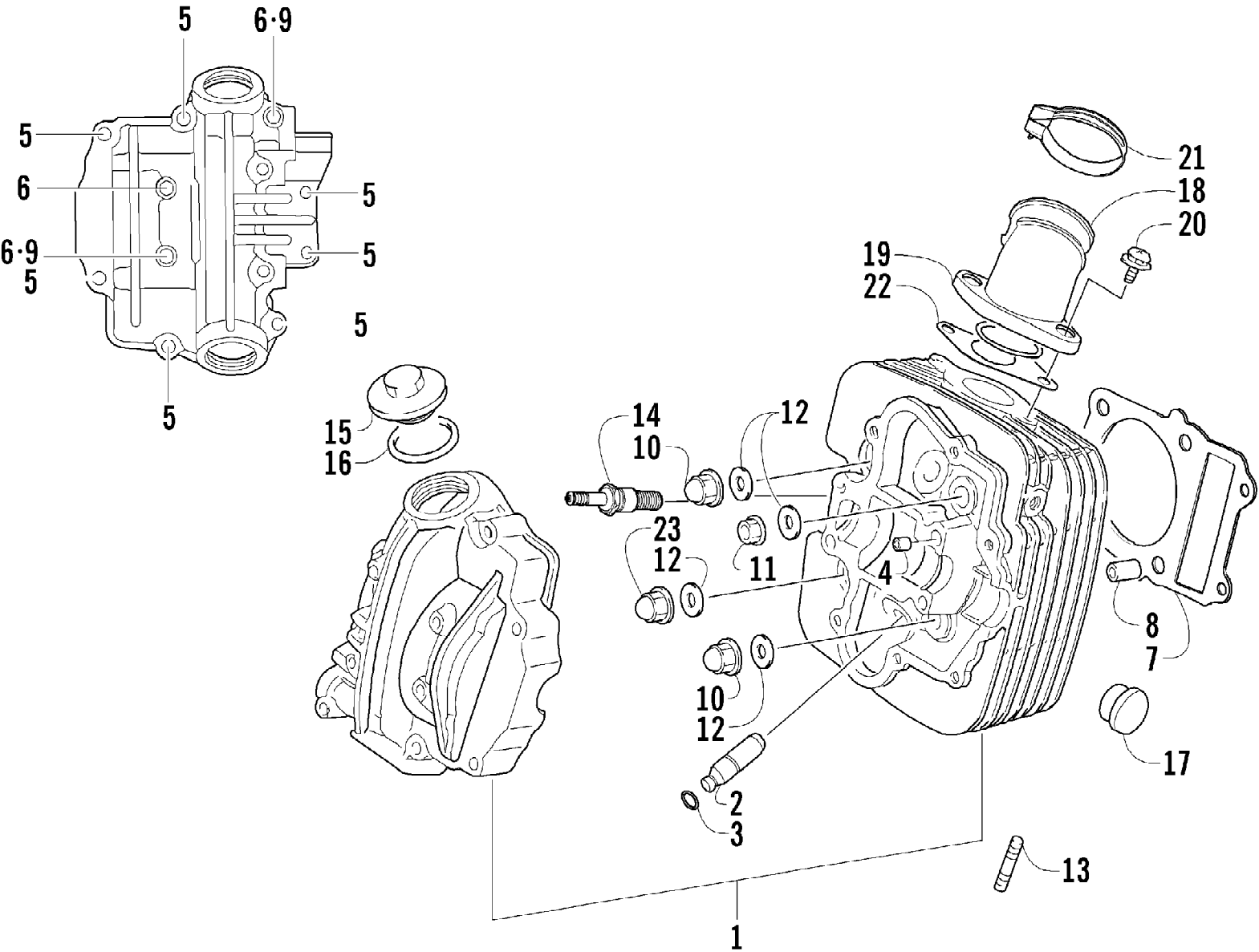


2002 ATV 250/300 (250 4X4 GREEN) (A2002ATE4AUSG)
CYLINDER ASSEMBLY

Page 23 of 84

Ref #	Part Number	Qty	S/P/F	Description
1	3402-409	1		Cylinder
1	3402-251	1		Cylinder (300)
2	3423-365	2		Bolt, Stud
2	3423-238	2		Bolt, Stud (300)
3	3423-364	2		Bolt, Stud
3	3423-239	2		Bolt, Stud (300)
4	3423-089	2	S	Bolt, Stud
5	3423-237	2		Bolt, Stud
6	3004-488	4	S/P	Nut
7	3402-410	1		Gasket, Cylinder
7	3402-252	1		Gasket, Cylinder (300)
8	3423-306	2		Pin, Dowel
9	3005-226	1	/P	O-Ring (300)

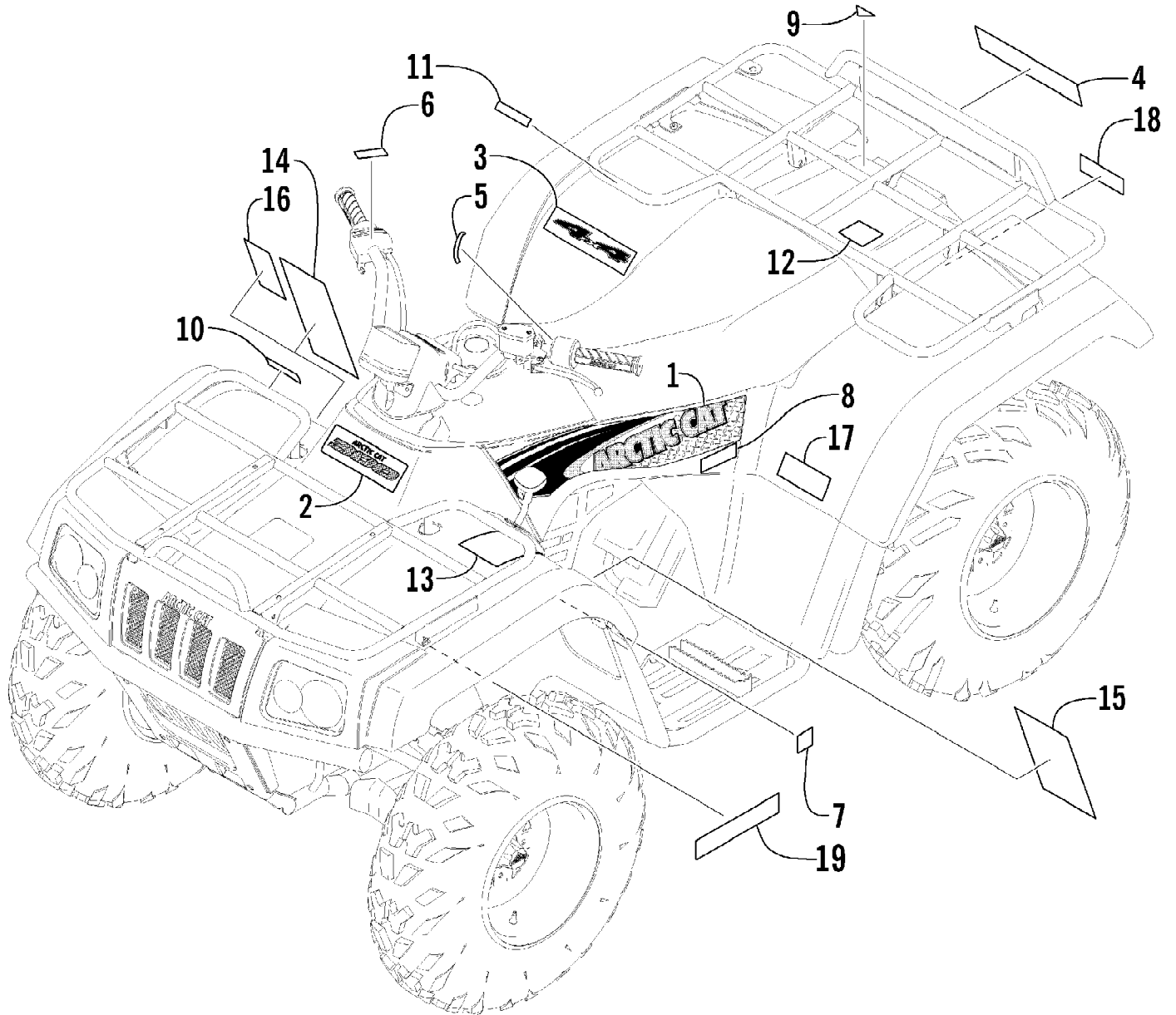
2002 ATV 250/300 (250 4X4 GREEN) (A2002ATE4AUSG)
CYLINDER HEAD ASSEMBLY



2002 ATV 250/300 (250 4X4 GREEN) (A2002ATE4AUSG)
CYLINDER HEAD ASSEMBLY

Page 25 of 84

Ref #	Part Number	Qty	S/P/F	Description
1	3402-407	1		Head, Cylinder - Assembly (inc. 2-6)
1	3402-246	1		Head, Cylinder - Assembly (inc. 2-6) (300)
2	3402-247	2		Guide, Valve
3	3423-068	2		Ring, Valve Guide
4	3423-043	2	/P	Pin, Dowel
5	3004-426	7	S	Screw, Cap
6	3423-304	3	S	Screw, Cap
7	3402-408	1		Gasket, Cylinder Head
7	3402-248	1		Gasket, Cylinder Head (300)
8	3004-822	2		Pin, Dowel
9	3003-290	2	/P	Gasket
10	3423-257	2		Nut
11	3004-326	1	S/P	Nut
12	3005-243	4		Gasket
13	3004-279	2	S/P	Bolt, Stud
14	0217-713	1		Spark Plug (NGK DR7EA)
15	3402-249	2		Cap, Inspection
16	3423-275	2		O-Ring
17	3402-213	1		Plug, Head
18	3402-533	1	/P	Pipe, Intake
19	3423-276	1		O-Ring
20	3423-305	2	S	Screw
21	3402-086	1	/P	Clamp
22	3402-298	1		Gasket, Intake Pipe
23	3004-326	1	S/P	Nut (250)
23	3423-257	1		Nut (300)

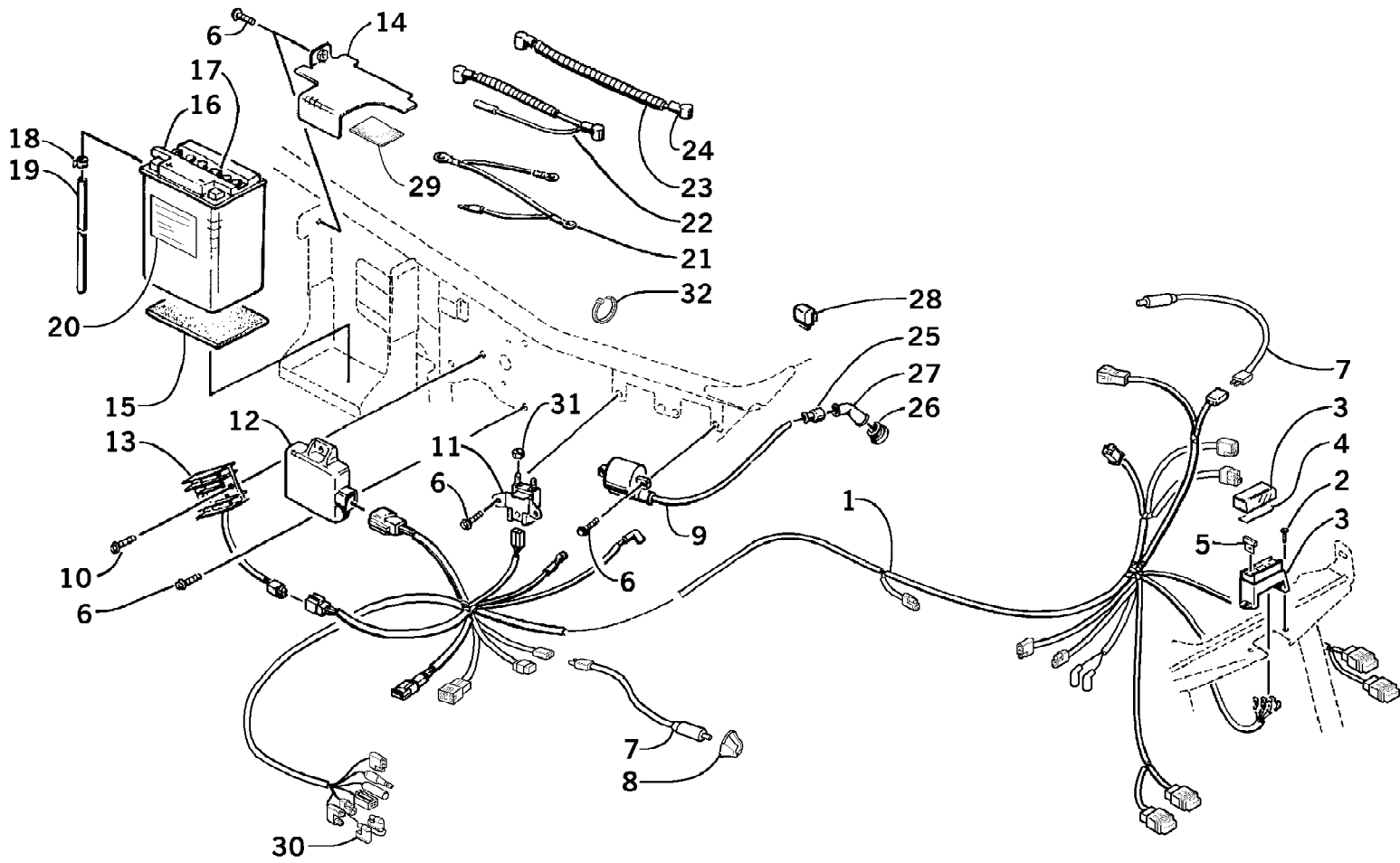


2002 ATV 250/300 (250 4X4 GREEN) (A2002ATE4AUSG)
DECALS

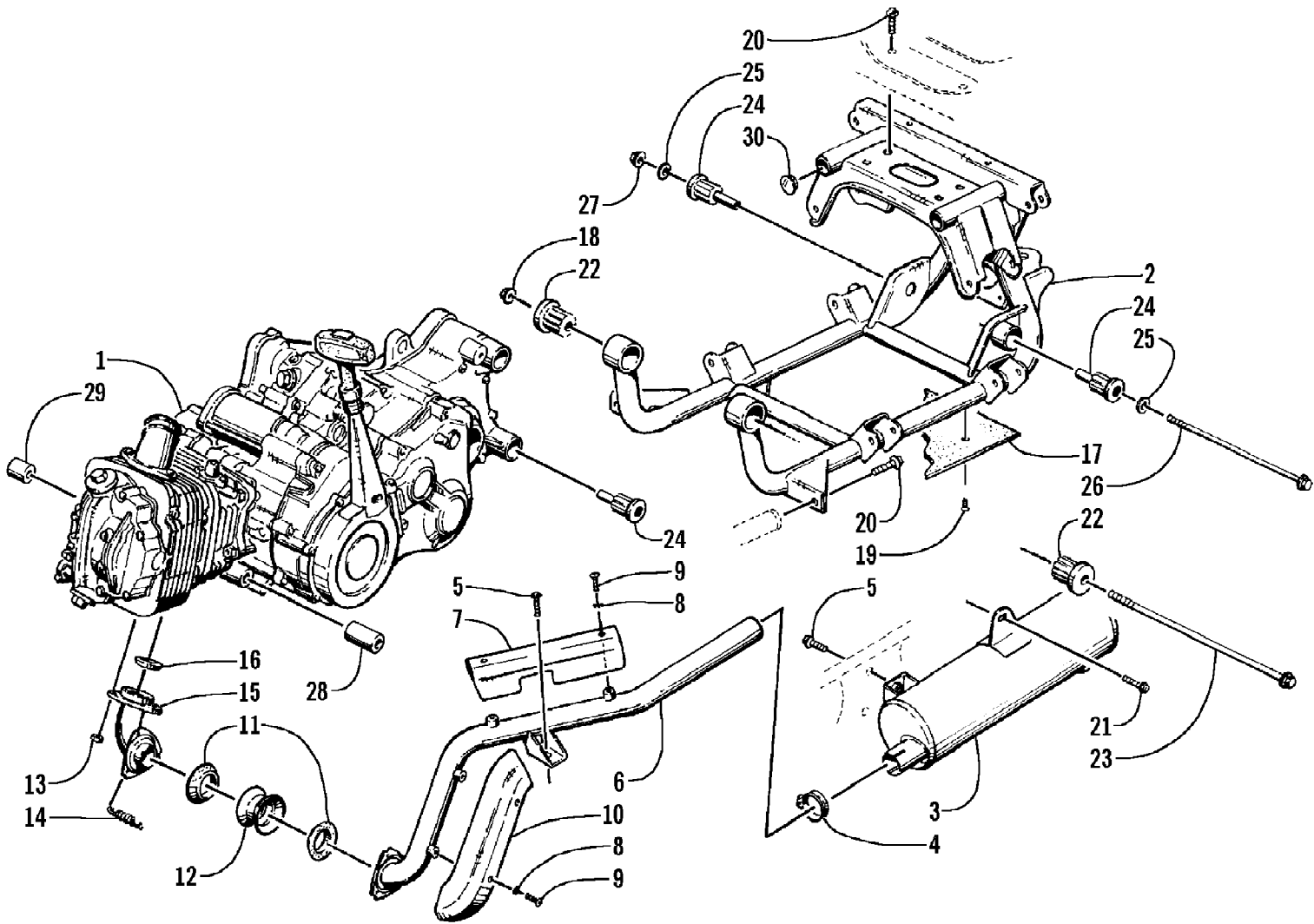
Page 27 of 84

Ref #	Part Number	Qty	S/P/F	Description
1	0411-365	1		Decal, Side - Right (Red)
1	0411-366	1		Decal, Side - Left (Red)
1	0411-367	1		Decal, Side - Right (Green)
1	0411-368	1		Decal, Side -Left (Green)
2	0411-363	1		Decal, Front (250) (Red)
2	0411-364	1		Decal, Front (250) (Green)
2	0411-371	1		Decal, Front (300) (Red)
2	0411-372	1		Decal, Front (300) (Green)
3	0411-369	1		Decal, "4X4" (4X4) (Red)
3	0411-370	1		Decal, "4X4" (4X4) (Green)
4	0411-386	1		Decal, "Arctic Cat" (300 4X4)
5	0411-325	1		Decal, Instruction - Choke
6	0411-324	1		Decal, Instruction - Start In Gear (300 4X4)
7	0411-086	1		Decal, Shift Pattern
8	0411-389	1		Decal, Hi/Low Range (2X4) (Red)
8	0411-405	1		Decal, Hi/Low Range (2X4) (Green)
8	0411-390	1		Decal, Hi/Low Range (4X4) (Red)
8	0411-406	1		Decal, Hi/Low Range (4X4) (Green)
9	3611-002	1		Decal, "Made In U.S.A."
10	0411-006	1		Decal, Warning - Front Rack Load
11	0411-007	1		Decal, Warning - Rear Rack Load
12	0411-435	1		Decal, Passenger
13	0411-401	1		Decal, Warning - Age
14	0411-008	1	/P	Decal, Warning - Reverse/Pre-Ride
15	0411-218	1		Decal, Warning - General
16	0411-045	1		Decal, Warning - Turn
17	0411-430	1		Decal, Warning - Tire Pressure
18	0411-269	1		Decal, Warning - Towing
19	0411-388	1		Decal, CA Emissions (250)
19	0411-387	1		Decal, CA Emissions (300)

2002 ATV 250/300 (250 4X4 GREEN) (A2002ATE4AUSG)
ELECTRICAL COMPONENTS



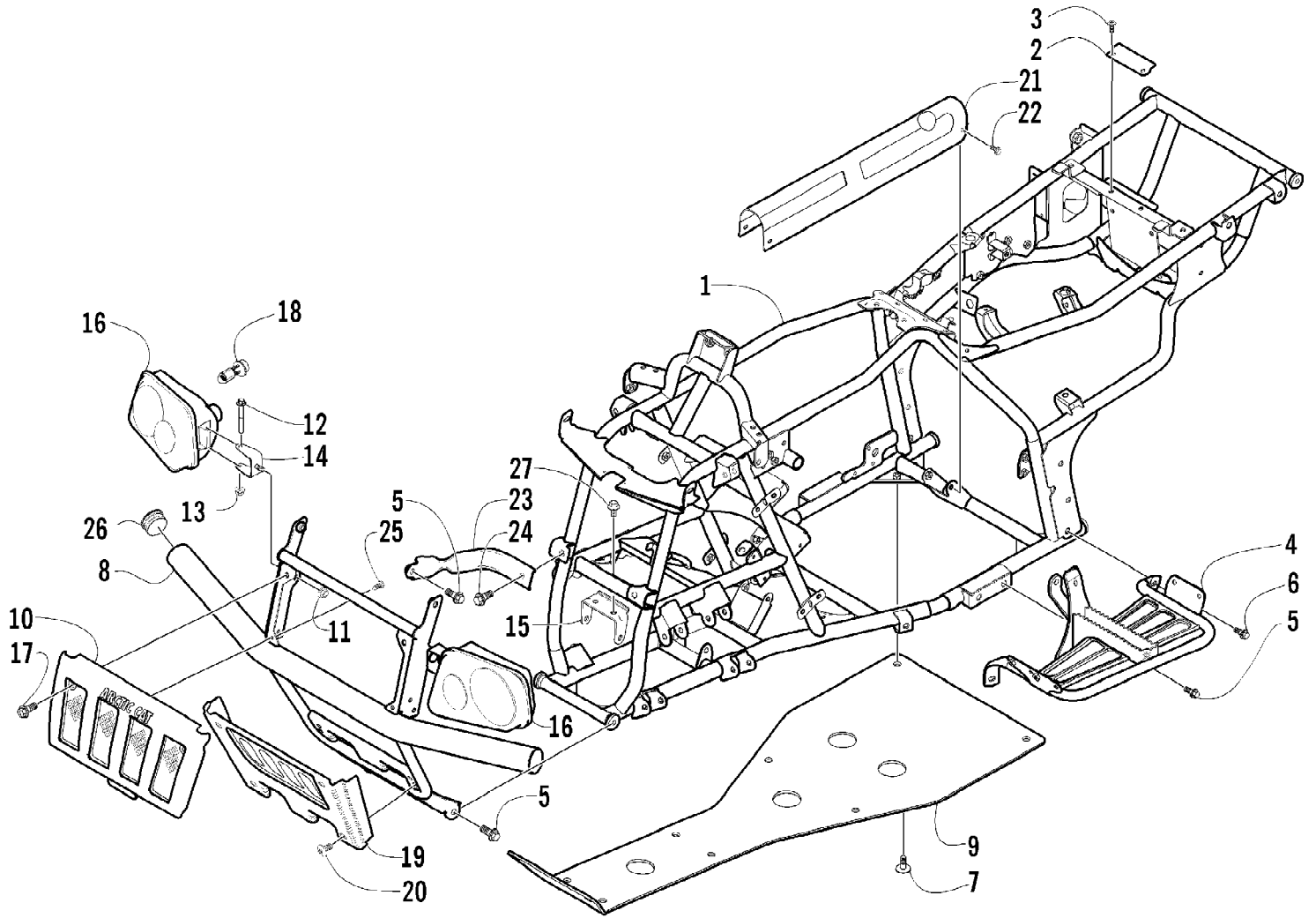
Ref #	Part Number	Qty	S/P/F	Description
1	0486-088	1		Harness, Main
1	0486-086	1		Harness, Main (300 2X4)
1	0486-082	1		Harness, Main (300 4X4)
2	0623-361	2		Screw, Self-Tapping
3	0530-003	1		Fuse Box Assembly
4	0411-404	1		Decal, Fuse Box
5	0630-057	3		Fuse, 10 Amp
5	0630-057	4		Fuse, 10 Amp (250 4X4/300 2X4)
5	0630-058	1		Fuse, 15 Amp
6	8476-616	8		Screw, Cap
7	0409-009	2		Switch, Brake
8	0402-168	1	/P	Retainer, Brake Switch
9	3530-025	1		Coil, Ignition
9	3530-012	1	/P	Coil, Ignition (300)
10	8476-620	2		Screw, Cap
11	3530-013	1	/P	Relay, Starter
12	3530-024	1		CDI Unit
12	3530-011	1		CDI Unit (300)
13	3530-014	1	/P	Regulator, Voltage
13	3530-034	1		Regulator, Voltage (300)
14	0506-254	1	S	Bracket, Battery
15	0406-380	1		Pad, Battery
16	0645-063	1	S	Battery (inc. 17-20)
17	0645-045	6		Cap, Battery
18	0645-152	1		Clamp, Hose
19	0645-263	1	/P	Hose, Battery Vent
20	0645-151	1		Decal, Warning - Battery
21	0445-010	1		Cable, Battery - Ground
22	0445-011	1		Cable, Battery - Relay
23	0445-012	1		Cable, Battery - Starter
24	0645-019	4		Boot, Terminal - Battery
25	3430-009	1	/P	Seal, High Tension Wire
26	3430-026	1		Seal, Spark Plug
27	3430-007	1	/P	Cap, Spark Plug
28	3530-026	1	/P	Relay, Neutral Start
29	0417-003	1		Foam, Battery Bracket
30	0486-029	1		Diode (Start in Gear)
31	0624-250	2		Nut, Starter Relay
32	0123-788	AR	/P	Cable Tie - 7 in.



2002 ATV 250/300 (250 4X4 GREEN) (A2002ATE4AUSG)
ENGINE AND RELATED PARTS

Page 31 of 84

Ref #	Part Number	Qty	S/P/F	Description
1	0462-012	1	/P	Engine (250 2X4)
1	0462-016	1		Engine (250 4X4)
1	0462-005	1		Engine (300 2X4)
1	0462-009	1	/P	Engine (300 4X4)
2	0506-189	1	S	Sub-Frame
3	0512-011	1		Muffler
4	0423-092	1		Clamp, Exhaust
5	8408-812	3		Screw, Cap
6	0512-014	1		Pipe, Exhaust
7	0412-024	1		Cover, Exhaust - Rear
8	8053-211	4	S	Washer, Lock
9	8477-610	4		Screw, Cap
10	0412-023	1		Cover, Exhaust
11	0612-887	2	/P	Gasket, Exhaust
12	0412-031	1	S	Coupler, Exhaust
13	8424-802	2		Nut
14	0123-321	3	/P	Spring, Extension
15	0512-008	1		Pipe, Header
16	3402-300	1		Seal, Exhaust Pipe
17	0406-787	1	/P	Panel, Belly - Sub-Frame (300)
18	8422-202	1		Nut
19	0423-101	4		Screw, Body (300)
20	8409-020	6	/P	Screw, Cap
21	8408-816	1		Screw, Cap
22	3402-264	2		Mount, Engine
23	3423-236	1	/P	Screw, Cap
24	3402-263	8		Mount, Engine
25	8050-272	4		Washer
26	3423-221	2	S	Screw, Cap
27	8432-002	2		Nut
28	0402-231	1		Spacer, Engine Mount - Long
29	0402-232	1		Spacer, Engine Mount - Short
30	0406-320	2		Cap, Sub-Frame

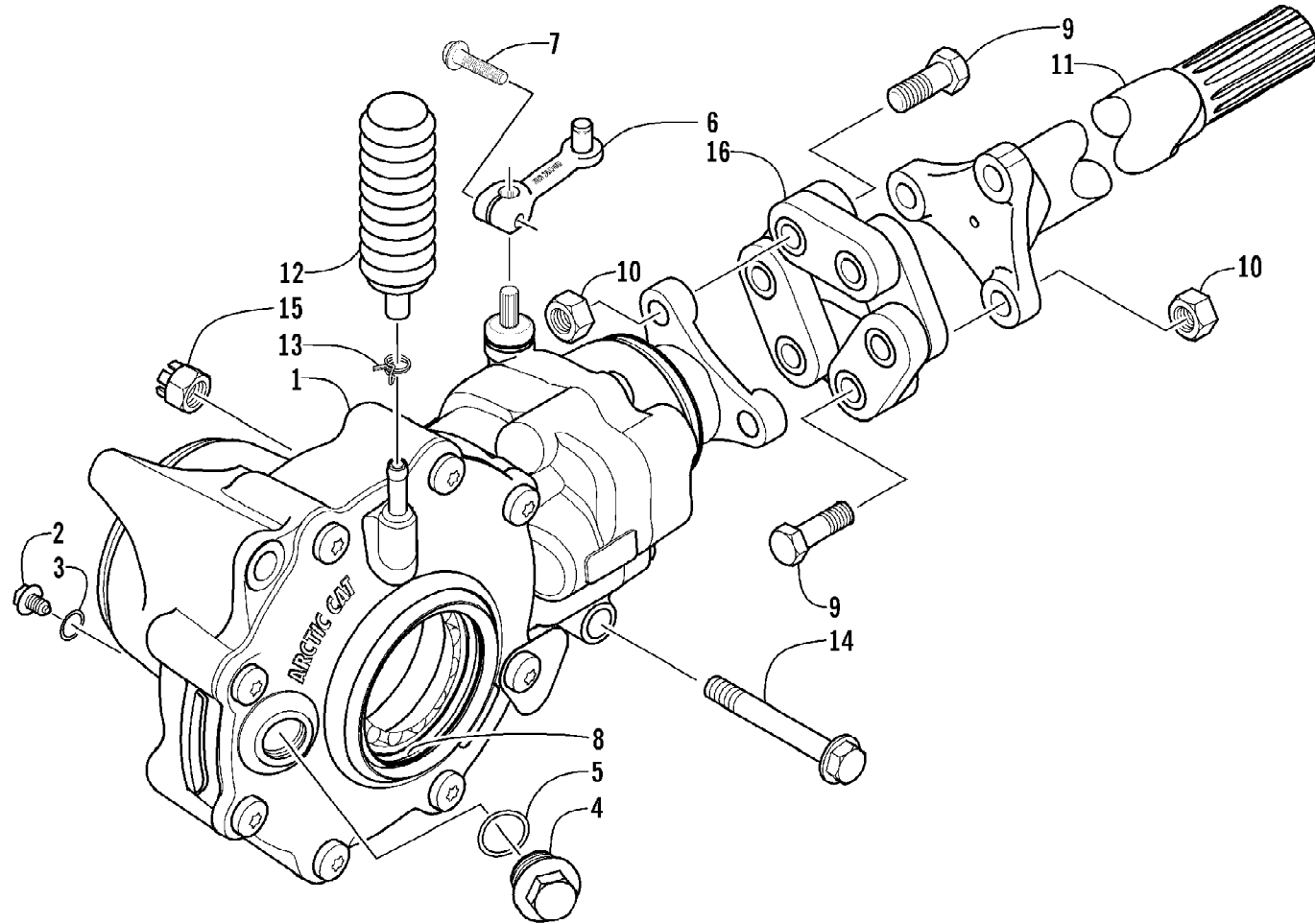


2002 ATV 250/300 (250 4X4 GREEN) (A2002ATE4AUSG)
 FRAME AND RELATED PARTS

Page 33 of 84

Ref #	Part Number	Qty	S/P/F	Description
1	0506-573	1	S	Frame, Main
1	0506-574	1	/P	Frame, Main (4X4)
2	0406-372	1	S	Bracket, Body Hold-Down
3	8476-616	2		Screw, Machine
4	0506-176	1	S	Footrest - Right
4	0506-217	1		Footrest - Left
5	8409-020	8	/P	Screw, Cap
6	8408-816	4		Screw, Cap
7	0423-101	10		Screw, Body
8	0506-594	1		Bumper
8	0506-520	1		Bumper (300 4X4)
9	0406-894	1		Panel, Belly
10	0406-832	1		Grille, Upper
11	8424-802	2		Nut
12	8410-860	2		Screw, Cap
13	0423-375	2		Nut, Nylock
14	0406-945	2		Bracket, Headlight
15	0506-210	1		Bracket, Front Differential (4X4)
16	0409-032	1		Headlight - Right (inc. 12-14 and 18)
16	0409-031	1		Headlight - Left (inc. 12-14 and 18)
17	0423-361	2		Screw, Machine
18	0409-045	4		Bulb, Headlight
19	0406-833	1	S	Grille, Lower
20	0423-362	4		Screw, Machine
21	0406-924	1	S	Cover, Front Driveshaft (4X4)
22	8471-610	4		Screw, Cap (4X4)
23	0506-655	2	S	Channel, Bumper
23	0506-743	2	S	Channel, Bumper (300 4X4)
24	8408-812	2		Screw, Cap
25	0623-361	2		Screw, Self-Tapping
26	0406-130	2		Cap, Bumper (300 4X4)
27	8408-820	2	/P	Screw, Cap (4X4)

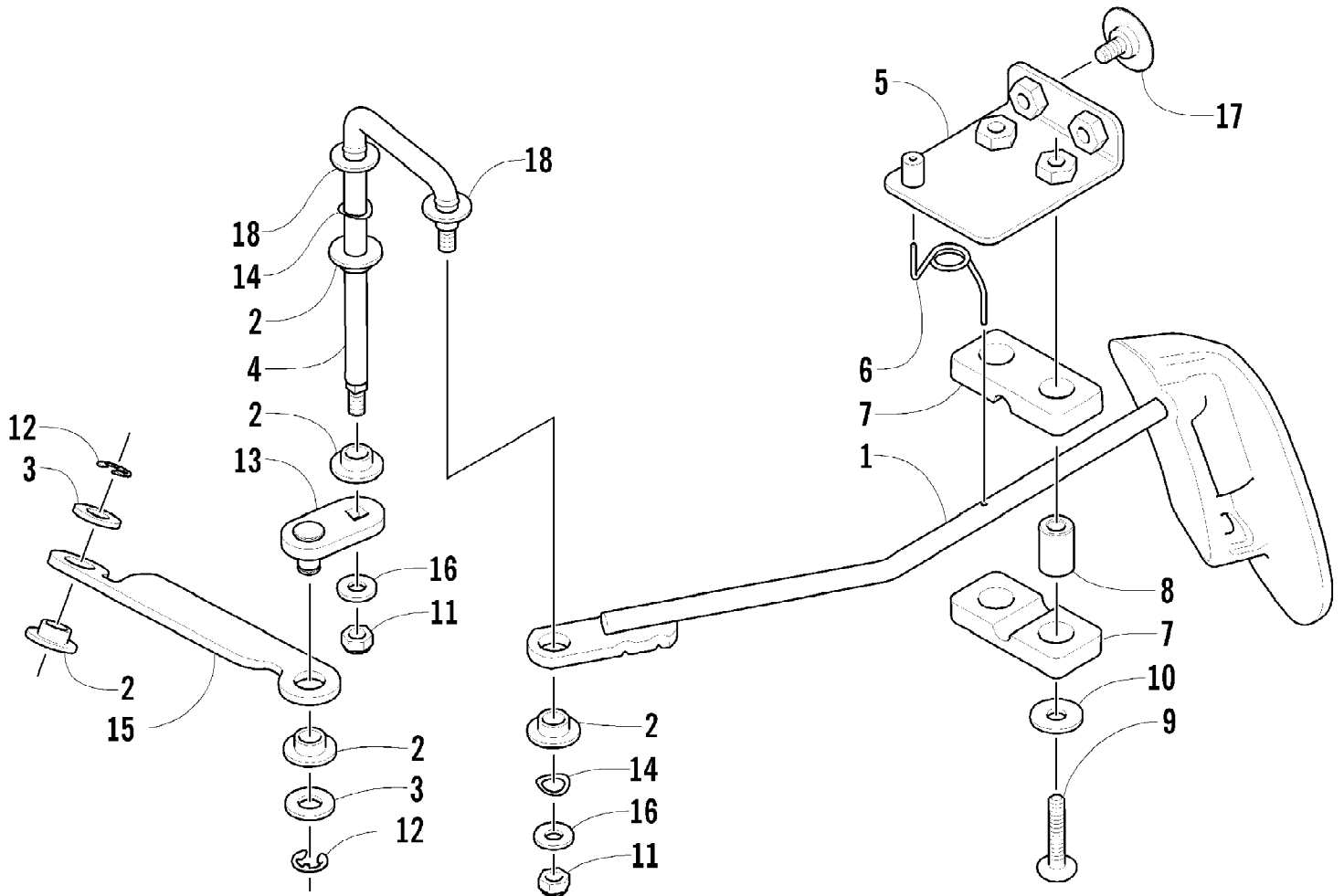
2002 ATV 250/300 (250 4X4 GREEN) (A2002ATE4AUSG)
FRONT DIFFERENTIAL ASSEMBLY (4X4)



2002 ATV 250/300 (250 4X4 GREEN) (A2002ATE4AUSG)
FRONT DIFFERENTIAL ASSEMBLY (4X4)

Page 35 of 84

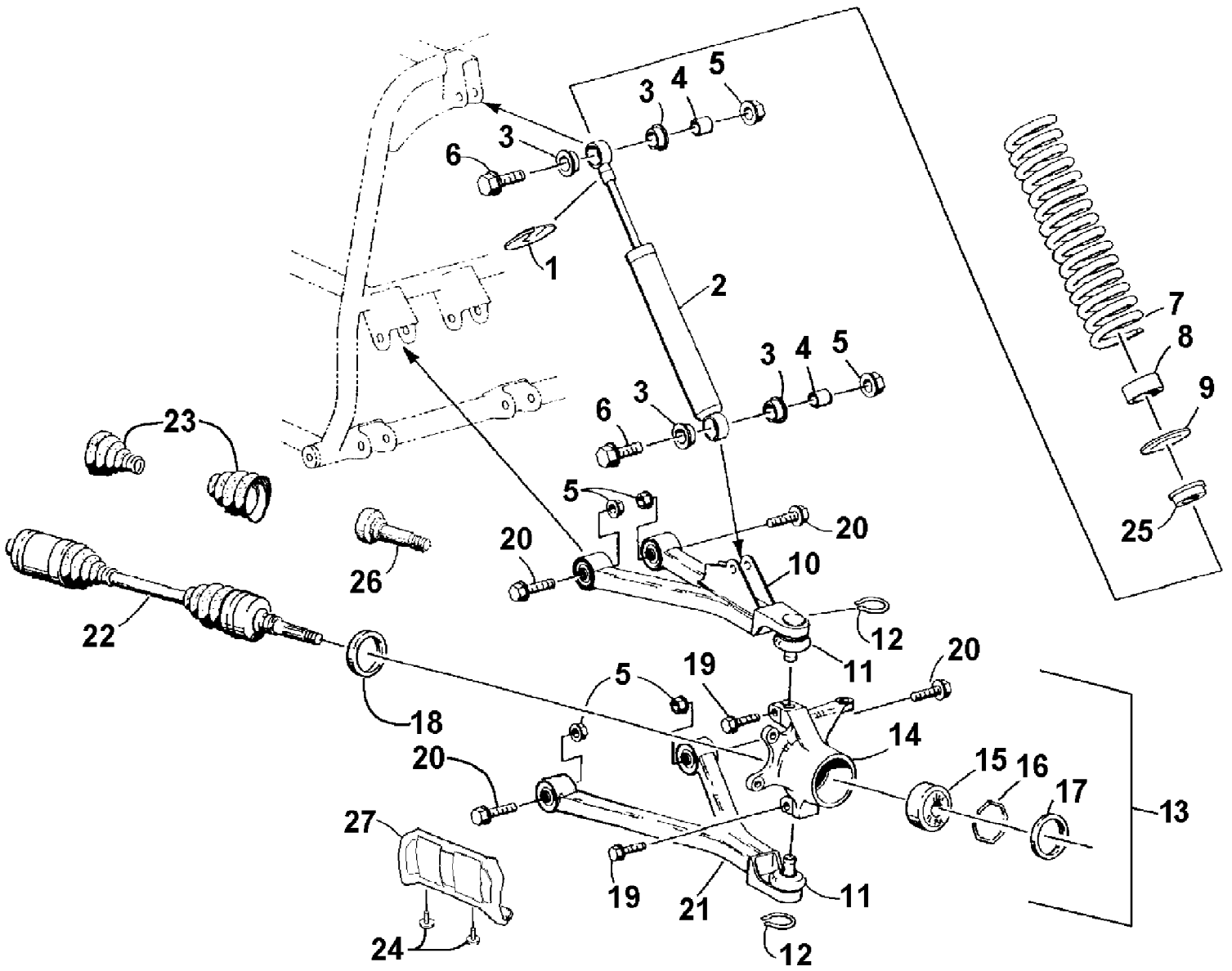
Ref #	Part Number	Qty	S/P/F	Description
1	0502-153	1		Gearcase, Front - Assembly (inc. 2-8)
2	0402-450	1	S	Plug, Magnetic (inc. 3)
3	0423-153	1		O-Ring
4	0402-333	1	/P	Plug, Fill (inc. 5)
5	0423-154	1		O-Ring
6	0502-092	1		Arm, Selector
7	8476-620	1		Screw, Machine
8	0402-394	2	S	Seal
9	3423-182	6	S	Screw, Cap
10	3004-491	6	S/P	Nut
11	0502-201	1		Shaft, Propeller
12	0402-147	1	S	Bladder, Gearcase
13	0423-315	1		Clamp, Hose
14	3423-010	2	/P	Screw, Cap
15	8428-002	2		Nut, Lock
16	3435-007	1		Coupler, Propeller Shaft



2002 ATV 250/300 (250 4X4 GREEN) (A2002ATE4AUSG)
FRONT DRIVE SHIFT LINKAGE ASSEMBLY (300 4X4)

Page 37 of 84

Ref #	Part Number	Qty	S/P/F	Description
	0436-388	1		Optional Kit - 250 4X4
1	0502-291	1		Shifter
2	0423-091	5		Bushing
3	8050-247	2	/P	Washer
4	0402-821	1		Arm, Shifter
5	0502-234	1		Plate, Mounting
6	0402-828	1		Spring, Torsion
7	0406-363	2		Bushing
8	0402-256	2		Collar
9	8476-630	2		Screw, Machine
10	8050-222	2	/P	Washer
11	0624-250	2		Nut, Lock
12	0124-057	2	/P	E-Ring
13	0502-295	1		Arm, Selector
14	0423-368	2		Washer, Wave
15	0402-824	1	S	Cross-Link
16	0423-348	2		Washer
17	0423-101	2		Screw, Body
18	0123-053	2	/P	Washer

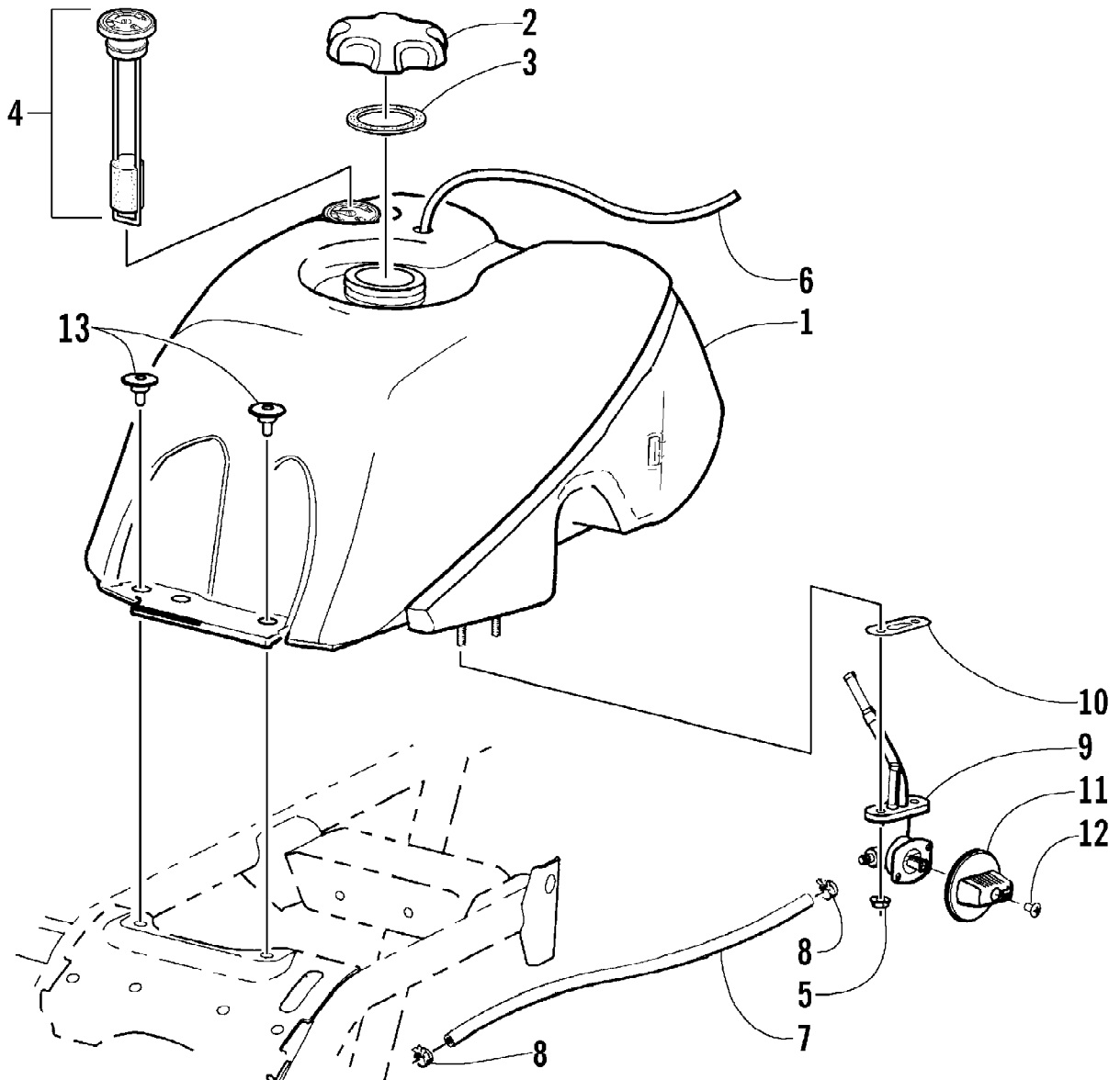


2002 ATV 250/300 (250 4X4 GREEN) (A2002ATE4AUSG)
FRONT SUSPENSION ASSEMBLY

Page 39 of 84

Ref #	Part Number	Qty	S/P/F	Description
1	1603-889	2	/P	Retainer, Spring
2	0403-036	2		Shock Absorber - Front (inc. 3-4)
2	0403-015	2		Shock Absorber - Front (inc. 3-4) (300 4X4)
3	0604-310	8		Bushing, Shock Absorber
4	0403-028	4		Sleeve, Shock
5	8428-002	12		Nut, Lock
6	8409-040	4		Screw, Cap
7	0403-037	2		Spring, Shock Absorber
7	0403-022	2		Spring, Shock Absorber (300 4X4)
8	0403-098	2	S	Collar, Spring
9	0403-013	2		Washer, Spring
10	0503-026	1	S/P	A-Arm, Upper Right - Assembly (inc. 11-12)
10	0503-027	1	S/P	A-Arm, Upper Left - Assembly (inc. 11-12)
11	0405-068	4	S	Ball Joint - Front
12	0423-009	4	/P	Clip, Ball Joint
13	0505-026	1	S/P	Knuckle - Assembly - Right (inc. 14-18)
13	0505-027	1	S/P	Knuckle - Assembly - Left (inc. 14-18)
14	0505-062	1	S	Knuckle, Steering - Right
14	0505-063	1	S	Knuckle, Steering - Left
15	0402-275	2	/P	Bearing, Wheel Hub - Front
16	0423-034	2		Clip, Bearing
17	0402-089	2		Seal, Wheel Bearing - Front
18	0402-069	2		Seal, Wheel Bearing - Front
19	8409-030	4		Screw, Cap
20	8409-060	8		Screw, Cap
21	0503-036	1	S	A-Arm, Lower Right (inc. 11-12)
21	0503-037	1	S	A-Arm, Lower Left (inc. 11-12)
21	0503-092	1	S	A-Arm, Lower Right (inc. 11-12) (4X4)
21	0503-093	1	S	A-Arm, Lower Left (inc. 11-12) (4X4)
22	0402-365	2	S	Axle, Drive - Front Right (4X4)
23	0436-276	4	S	Repair Kit, Boot - Front Axle (4X4)
24	0423-101	4		Screw, Body (4X4)
25	0403-027	2		Retainer, Spring - Lower
26	0402-183	2		Axle, Stub (2X4)
27	0406-656	2		Guard, Boot - Front Axle (4X4)

2002 ATV 250/300 (250 4X4 GREEN) (A2002ATE4AUSG)
GAS TANK ASSEMBLY

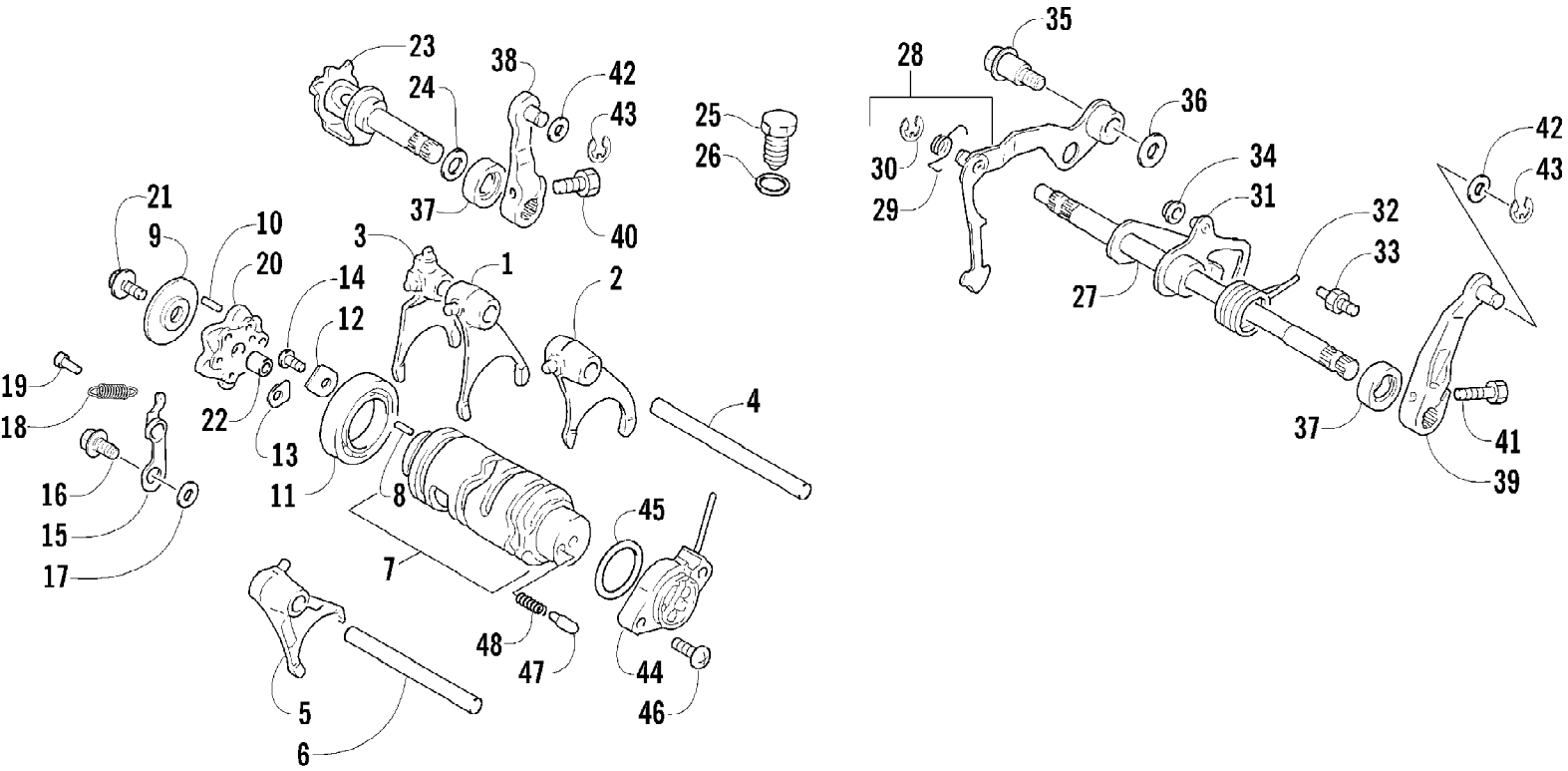


2002 ATV 250/300 (250 4X4 GREEN) (A2002ATE4AUSG)
 GAS TANK ASSEMBLY

Page 41 of 84

Ref #	Part Number	Qty	S/P/F	Description
1	0570-068	1		Tank, Gas - Assembly (inc. 2-10)
2	0470-438	1	/P	Cap, Gas Tank (inc. 3)
3	0109-733	1	/P	Seal, Cap
4	0470-444	1	S	Gauge, Fuel w/Gasket (Press-Fit)
5	0423-398	2		Nut, Lock
6	0470-416	1	/P	Hose, Vent
7	0610-007	AR	/P	Hose, Gasline - 25 ft
8	0423-152	2		Clamp, Hose - Spring
9	0470-445	1	/P	Valve, Fuel Shut-Off (inc. 10)
10	0470-364	1		Gasket, Fuel Shut-Off Valve
11	0470-408	1		Knob, Fuel Shut-Off Valve
12	0423-146	1		Screw, Fuel Shut-Off Valve Knob
13	0423-130	2		Screw, Gas Tank

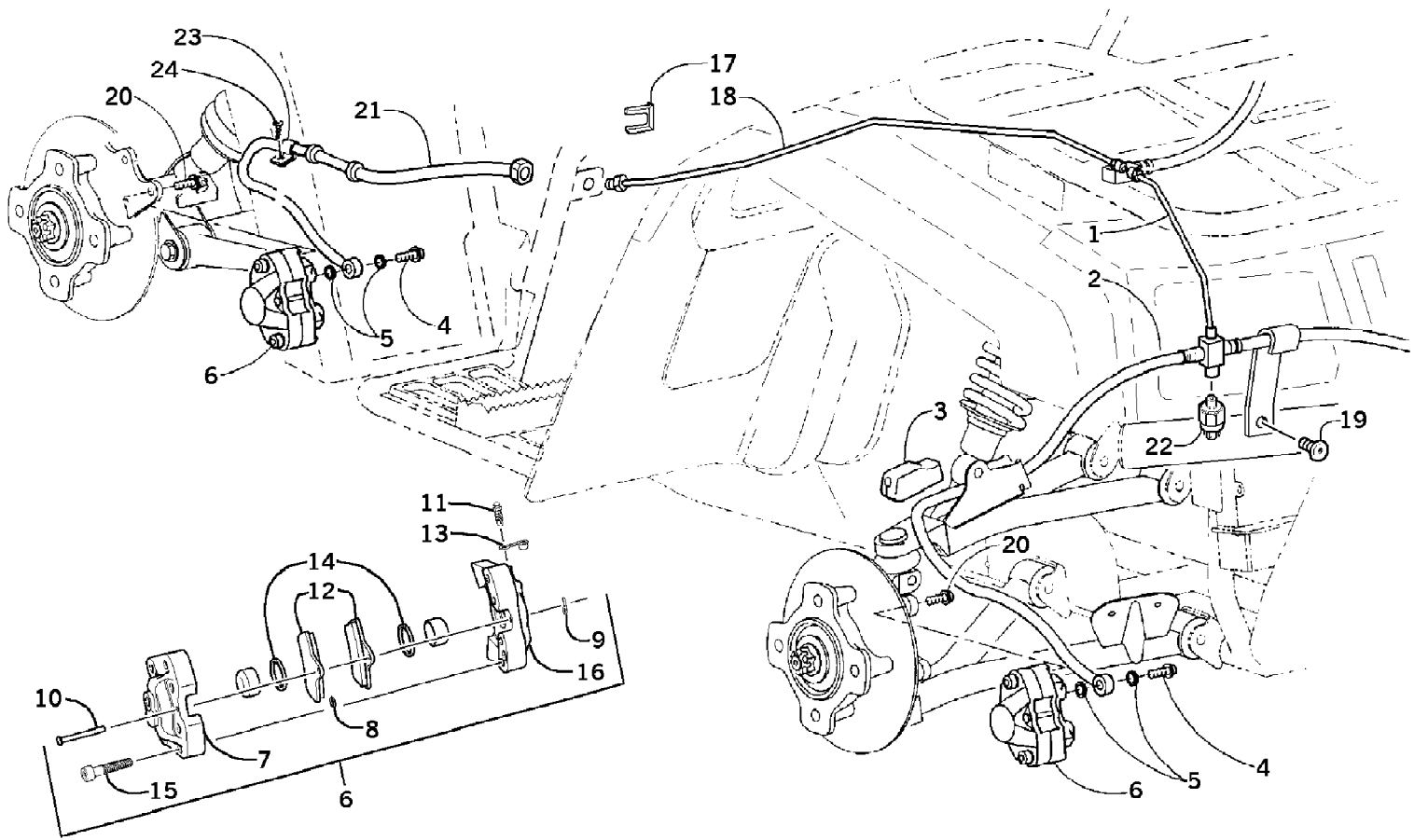
2002 ATV 250/300 (250 4X4 GREEN) (A2002ATE4AUSG)
 GEAR SHIFTING ASSEMBLY



2002 ATV 250/300 (250 4X4 GREEN) (A2002ATE4AUSG)
GEAR SHIFTING ASSEMBLY

Page 43 of 84

Ref #	Part Number	Qty	S/P/F	Description
1	3446-155	1		Fork, Gear Shifting
2	3446-156	1		Fork, Gear Shifting
3	3446-159	1		Fork, Gear Shifting
4	3446-167	1		Shaft
5	3446-157	1		Fork, Gear Shifting
6	3446-051	1		Shaft
7	3446-160	1		Cam, Gear Shifting (inc. 8)
8	3423-114	1	/P	Pin
9	3446-162	1		Retainer, Pin
10	3423-045	6		Pin
11	3402-051	1		Bearing
12	3446-163	1		Retainer
13	3446-031	1	/P	Retainer
14	3004-552	2	S	Screw, Cap
15	3446-165	1		Stopper, Cam
16	3423-240	1		Screw, Cap
17	3423-141	1		Washer
18	3402-240	1		Spring
19	3423-268	1		Pin
20	3446-166	1		Plate, Stopper
21	3004-376	1	S/P	Screw, Cap
22	3005-206	1	/P	Pin
23	3446-161	1		Cam, Reverse Shifting
24	3423-322	1		Washer
25	3446-164	1		Stopper, Cam
26	3402-012	1		Gasket
27	3446-169	1		Shaft, Gear Shifting
28	3446-170	1		Arm, Gear Shifting (inc. 29-30)
29	3402-312	1		Spring
30	3423-368	1	/P	E-Ring
30	3423-323	1		E-Ring (250 4X4/300)
31	3446-171	1		Arm, Link
32	3402-094	1		Spring
33	3446-172	1		Stopper, Arm
34	3402-132	1		Roller
35	3423-233	1		Screw, Cap
36	3423-324	1		Washer
37	3402-076	2		Seal, Oil
38	3446-055	1		Arm
39	3446-115	1		Arm, Reverse Shift
40	3423-125	1	S	Screw, Cap
41	3423-228	1		Screw, Cap
42	3423-204	2	/P	Washer
43	3423-168	2	S	E-Ring
44	3430-050	1		Base, Gear Shift - Assembly
45	3423-273	1		O-Ring
46	3423-325	2	S	Screw, Cap
47	3423-044	1		Contact
48	3402-087	1		Spring

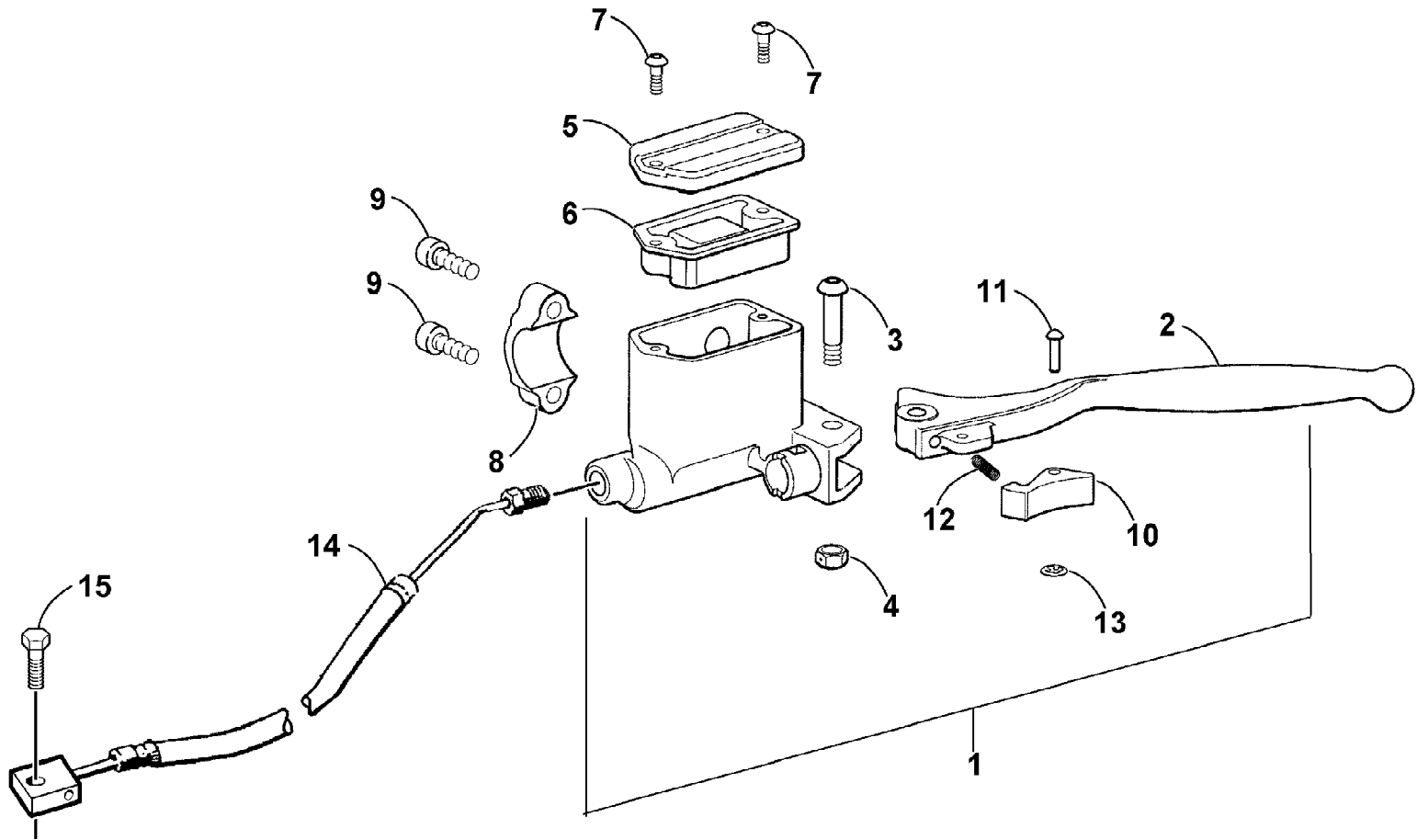


2002 ATV 250/300 (250 4X4 GREEN) (A2002ATE4AUSG)
HYDRAULIC BRAKE ASSEMBLY

Page 45 of 84

Ref #	Part Number	Qty	S/P/F	Description
1	0402-053	1		Tube, Brakeline - Front
1	0402-875	1		Tube, Brakeline - Front (300 4X4)
2	0402-880	1	/P	Hose, Brake - Front
2	0402-833	1		Hose, Brake - Front (300 4X4)
3	0402-073	2		Block, Mounting
4	0423-389	3	/P	Bolt, Banjo Fitting
5	0423-039	6		Washer, Crush
6	0502-265	1		Caliper, Brake - Right - Front (inc. 7-16)
6	0502-266	2	S	Caliper, Brake - Left Front and Rear (inc. 7-16)
7	0	3	F	Housing, Caliper
8	0402-490	3		O-Ring
9	0402-496	3	S	Pin, Cotter
10	0402-495	3		Pin, Brake Caliper
11	0402-493	3		Cap, Bleed Valve
12	0402-882	6	/P	Pad, Brake
13	0402-491	3	S	Valve, Bleed
14	0402-487	6		O-Ring, Brake Caliper
15	0402-492	6		Screw, Socket Head
16	0	1	F	Housing, Caliper
17	0402-597	1	/P	Clip, Brakeline
18	0402-170	1		Tube, Brakeline - Rear
19	8476-625	1		Screw, Machine
20	8408-825	6		Screw, Cap
21	0402-881	1	/P	Hose, Brake - Rear
22	0402-901	1	S	Switch, Brake Pressure (300 4X4)
23	0123-269	1		Clamp, Hose
24	0423-324	1		Screw, Machine

2002 ATV 250/300 (250 4X4 GREEN) (A2002ATE4AUSG)
HYDRAULIC HAND BRAKE ASSEMBLY

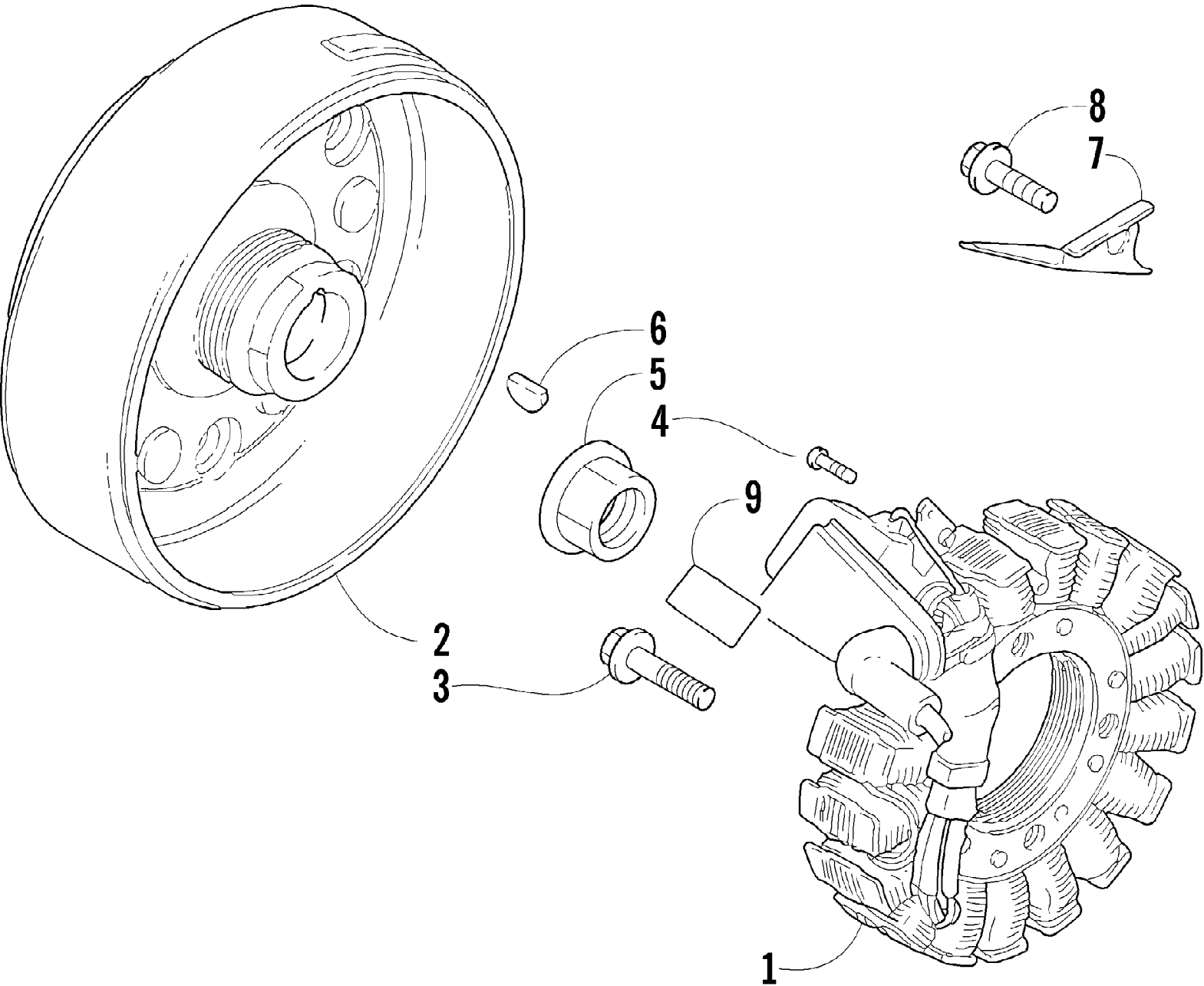


2002 ATV 250/300 (250 4X4 GREEN) (A2002ATE4AUSG)
HYDRAULIC HAND BRAKE ASSEMBLY

Page 47 of 84

Ref #	Part Number	Qty	S/P/F	Description
1	0502-324	1	S	Cylinder, Master - Assembly (inc. 2-13)
2	0402-818	1	/P	Lever, Brake
3	0402-940	1	S	Screw
4	0402-941	1	/P	Nut, Lock
5	0402-544	1		Cover, Reservoir
6	0402-553	1		Bladder, Reservoir
7	0402-938	2		Screw
8	0402-894	1	/P	Clamp, Master Cylinder
9	0402-939	2		Screw
10	0402-892	1	S	Lock, Brake Lever
11	0402-936	1	/P	Rivet
12	0402-559	1		Spring, Brake - Lever Lock
13	0402-937	1	/P	Washer, Lock - Internal Tooth
14	0402-879	1	S	Hose, Brakeline
15	8476-625	1		Screw, Machine

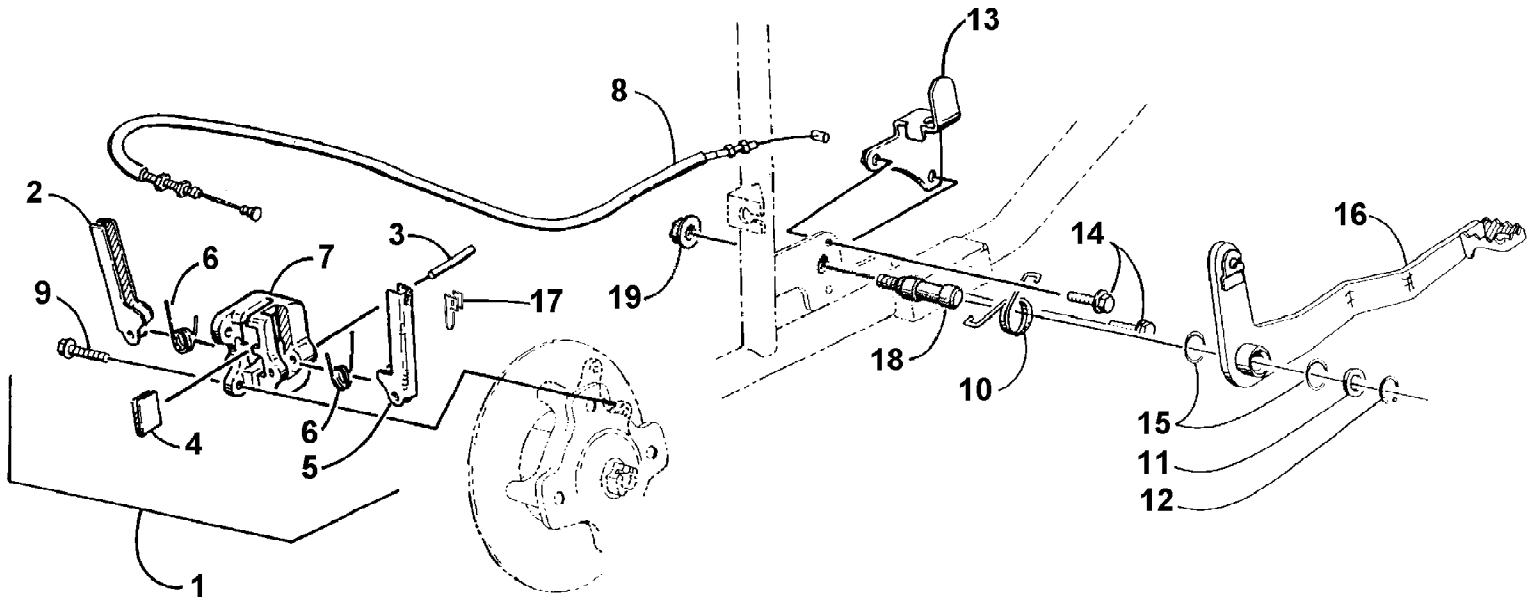
2002 ATV 250/300 (250 4X4 GREEN) (A2002ATE4AUSG)
MAGNETO ASSEMBLY



2002 ATV 250/300 (250 4X4 GREEN) (A2002ATE4AUSG)
MAGNETO ASSEMBLY

Page 49 of 84

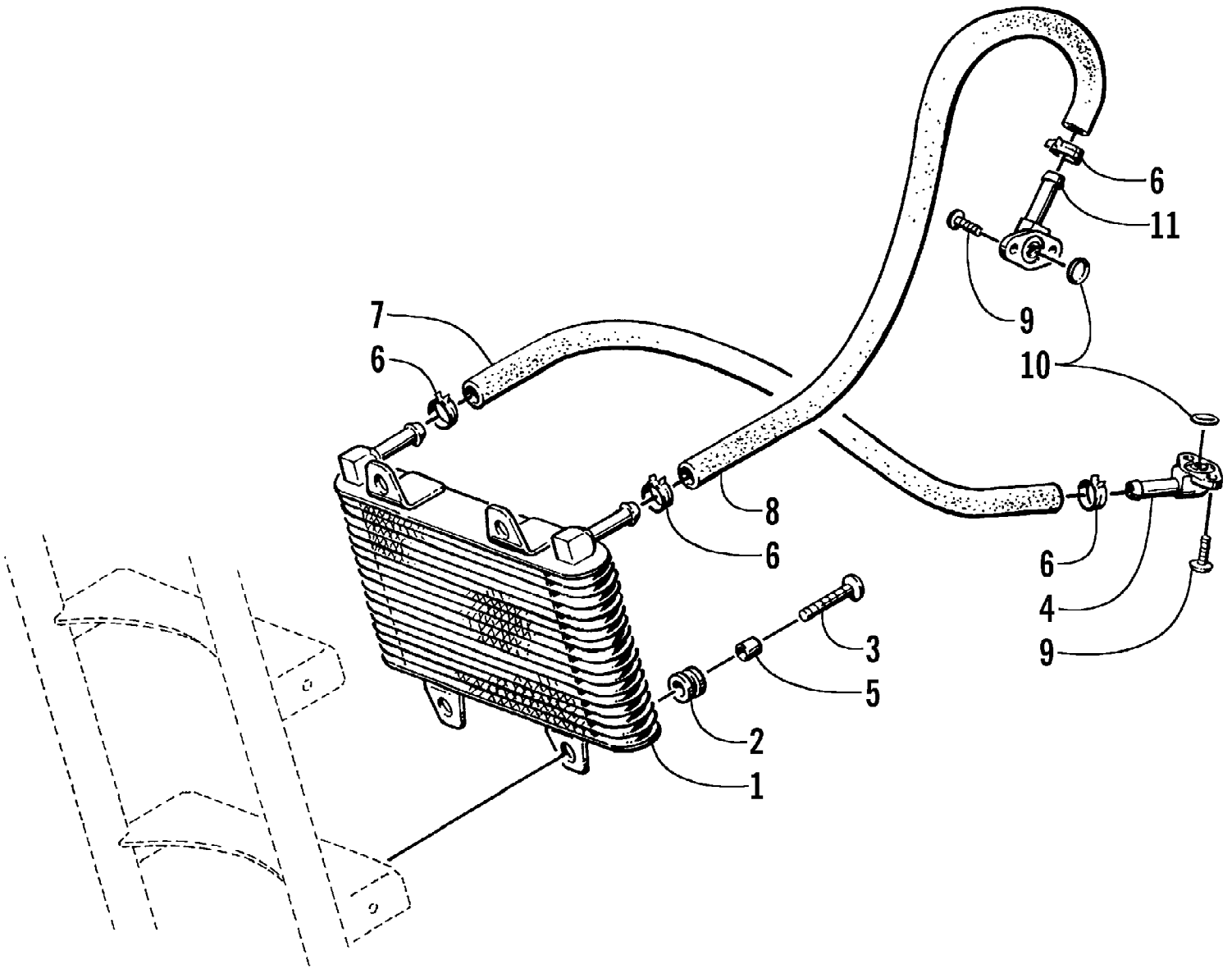
Ref #	Part Number	Qty	S/P/F	Description
1	3430-021	1	S	Stator - Assembly
2	3430-039	1		Rotor/Flywheel
2	3430-022	1		Rotor/Flywheel (300)
3	3004-756	3	S	Bolt, Magneto
4	3423-326	2	S	Screw, Cap
5	3423-086	1		Nut, Magneto
6	3004-540	1	/P	Key
7	3430-023	1		Plate
8	3423-112	1	S	Screw, Cap
9	3430-036	1		Shield, Heat Protection



2002 ATV 250/300 (250 4X4 GREEN) (A2002ATE4AUSG)
MECHANICAL BRAKE ASSEMBLY

Page 51 of 84

Ref #	Part Number	Qty	S/P/F	Description
1	0502-230	1	S	Mechanical Brake Assembly (inc. 2-7)
2	0402-811	1		Arm, Inner
3	0423-319	2		Pin, Arm
4	0402-814	2	S	Pad, Brake
5	0402-812	1		Arm, Outer
6	0402-813	2		Spring, Arm
7	0	1	F	Housing, Brake
8	0487-010	1		Cable, Brake - Rear
9	8408-825	2		Screw, Cap
10	0402-161	1	S/P	Spring, Brake
11	0423-027	1		Washer, Brake Lever
12	0623-237	1	/P	Ring, Snap
13	0502-056	1		Bracket, Brake Switch
14	8476-616	2		Screw, Cap
15	0670-183	2		O-Ring
16	0502-095	1	/P	Lever, Brake
17	0402-379	1		Wire Form, Cable
18	0406-562	1		Axle, Foot Brake
19	0423-165	1		Nut

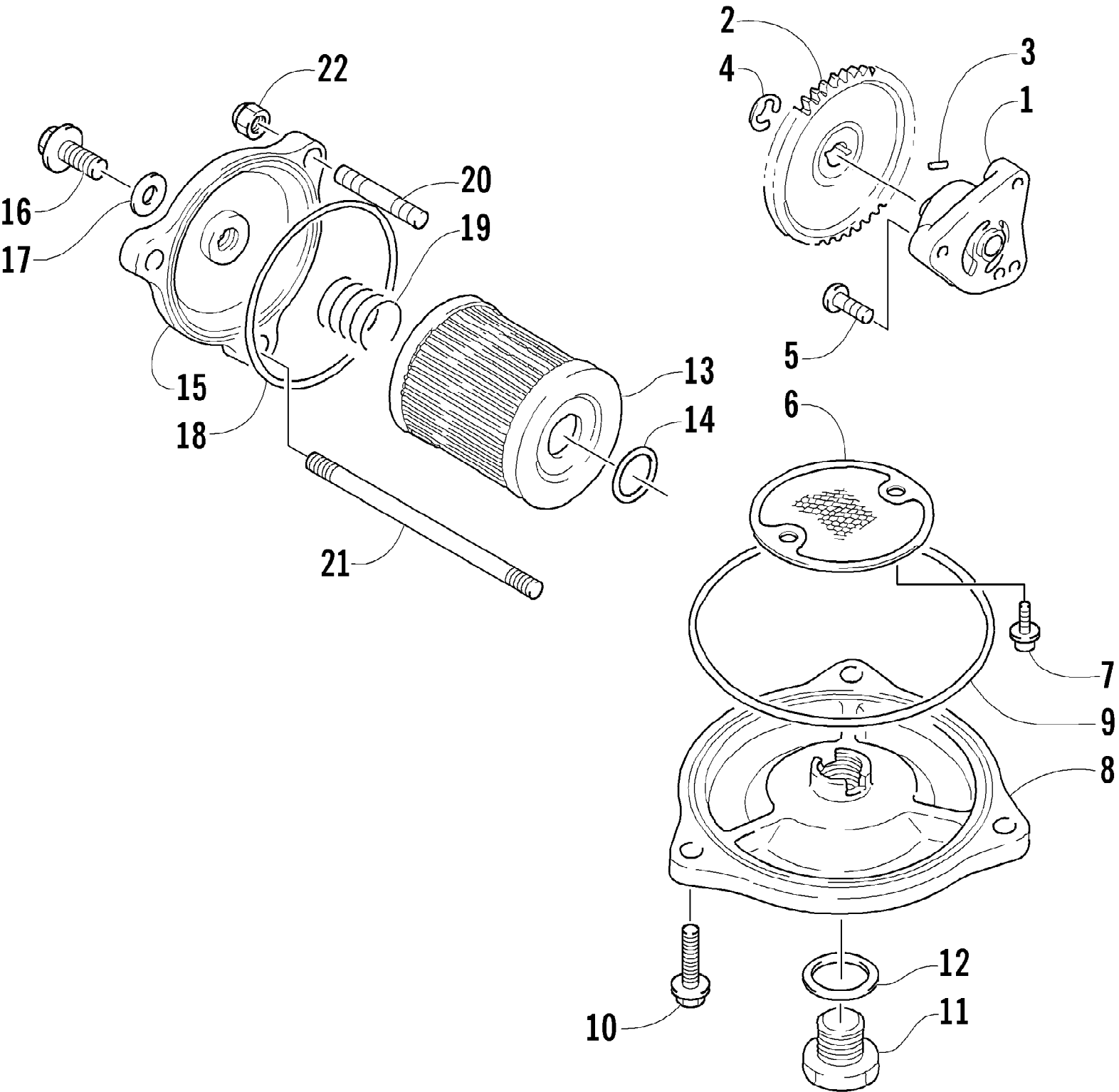


2002 ATV 250/300 (250 4X4 GREEN) (A2002ATE4AUSG)
OIL COOLER ASSEMBLY

Page 53 of 84

Ref #	Part Number	Qty	S/P/F	Description
1	0413-011	1	/P	Cooler, Oil
2	0423-086	4		Grommet
3	8476-620	4		Screw, Cap
4	0410-013	1		Fitting, Oil
5	0423-036	4		Collar
6	0423-098	4	/P	Clamp, Hose
7	0410-006	1		Hose, Oil - Output
8	0410-007	1		Hose, Oil - Input
9	8471-616	4		Screw, Cap
10	0423-089	2		O-Ring, Oil Fitting
11	0410-012	1		Fitting, Oil - Angled

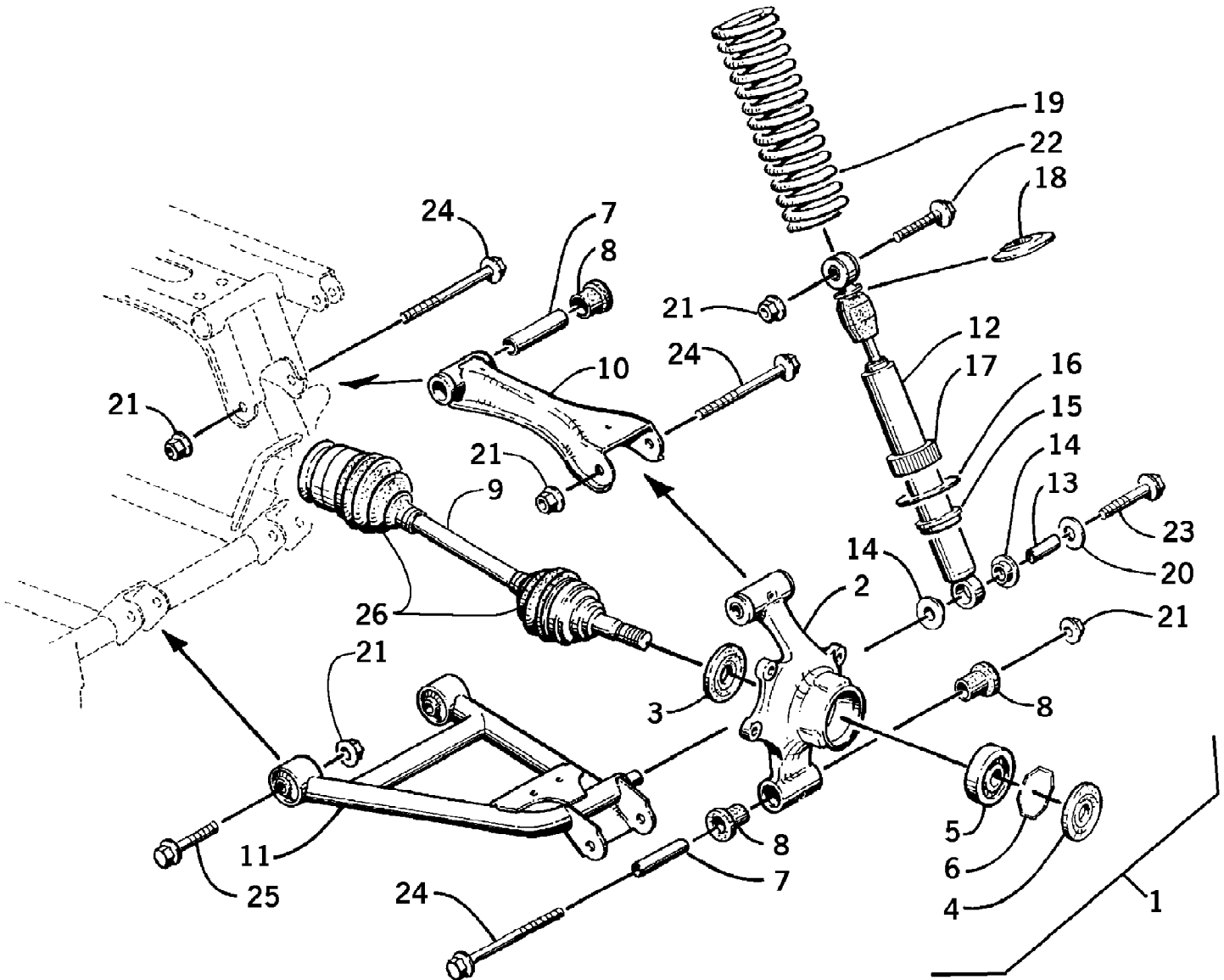
2002 ATV 250/300 (250 4X4 GREEN) (A2002ATE4AUSG)
OIL PUMP ASSEMBLY



2002 ATV 250/300 (250 4X4 GREEN) (A2002ATE4AUSG)
OIL PUMP ASSEMBLY

Page 55 of 84

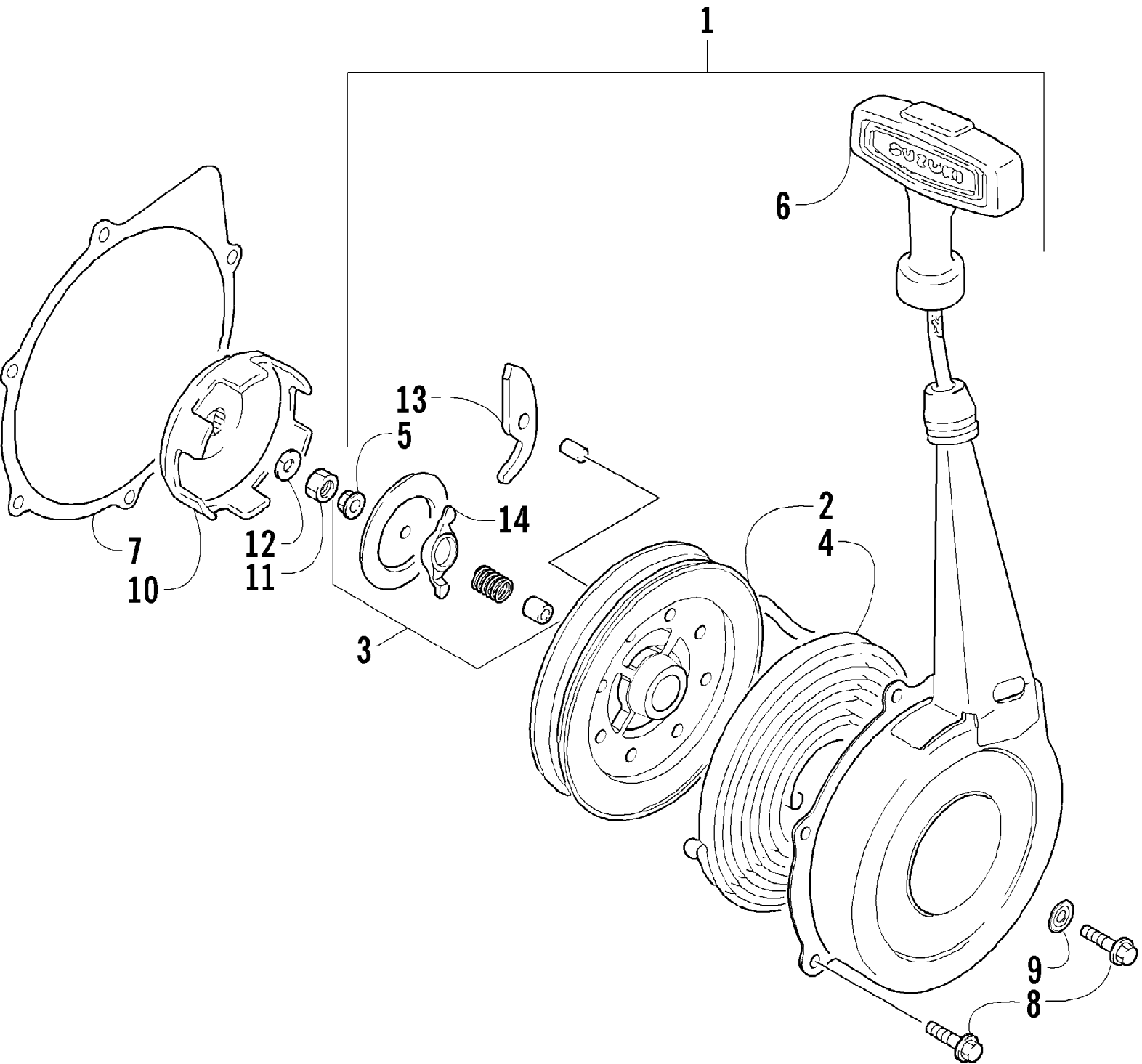
Ref #	Part Number	Qty	S/P/F	Description
1	3445-017	1		Pump, Oil
2	3402-302	1		Gear, Driven
3	3423-285	1		Pin
4	3423-168	1	S	Circlip
5	3004-402	3	S/P	Screw, Cap
6	3402-304	1		Strainer, Oil
7	0693-389	2	S	Screw, Cap
8	3402-305	1		Cap, Oil Strainer
9	3423-278	1		O-Ring
10	3004-507	3	S	Screw, Cap
11	3402-037	1		Plug, Drain
11	3402-036	1	S	Plug, Drain (300)
12	3402-012	1		Gasket
13	3436-005	1		Filter, Oil
14	3423-270	1		O-Ring
15	3402-303	1		Cap, Oil Filter
16	3004-705	1	S	Plug, Oil Check
17	3005-242	1		Gasket
18	3423-277	1		O-Ring
19	3402-238	1		Spring
20	3423-314	2	S	Bolt, Stud
21	3004-543	1	S	Bolt, Stud
22	3423-315	3	S	Nut



2002 ATV 250/300 (250 4X4 GREEN) (A2002ATE4AUSG)
 REAR SUSPENSION ASSEMBLY

Page 57 of 84

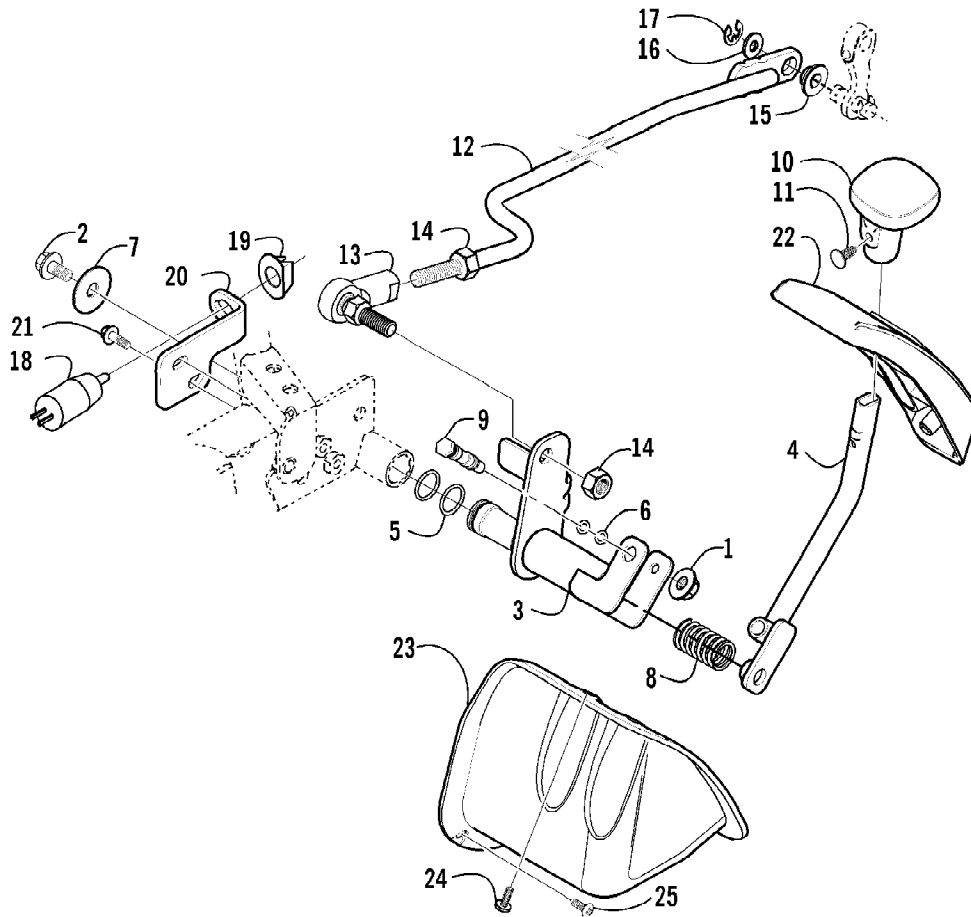
Ref #	Part Number	Qty	S/P/F	Description
1	0504-056	1	S	Knuckle, Right Rear - Assembly (inc. 2-6)
1	0504-057	1	S	Knuckle, Left Rear - Assembly (inc. 2-6)
2	0504-042	1	S	Knuckle - Right
2	0504-043	1	S	Knuckle - Left
3	0402-069	2		Seal
4	0402-089	2		Seal
5	0402-275	2	/P	Bearing, Wheel
6	0423-034	2		Clip, Bearing
7	0403-038	6	S/P	Collar, Suspension Bushing
8	0403-032	12	S	Bushing, Suspension
9	0402-777	2	S	Axle, Drive
10	0504-044	2		Arm, Rear - Upper
11	0504-030	1		A-Arm, Rear - Lower Right
11	0504-031	1		A-Arm, Rear - Lower Left
12	0404-014	2		Shock Absorber - Rear (inc. 13-15)
13	0403-028	4		Sleeve, Shock Absorber
14	0604-310	8		Bushing, Shock Absorber
15	0403-027	2		Retainer, Spring - Lower
16	0403-013	2		Washer, Spring Adjust
17	0403-098	2	S	Collar, Spring
18	1603-889	2	/P	Retainer, Spring
19	0403-002	2		Spring, Suspension
20	0423-087	2		Washer
21	8428-002	12		Nut, Lock
22	8409-040	2		Screw, Cap
23	8408-820	2	/P	Screw, Cap
24	8409-000	6		Screw, Cap
25	8409-060	4		Screw, Cap
26	0436-276	4	S	Repair Kit, Boot - Rear Axle



2002 ATV 250/300 (250 4X4 GREEN) (A2002ATE4AUSG)
 RECOIL STARTER ASSEMBLY

Page 59 of 84

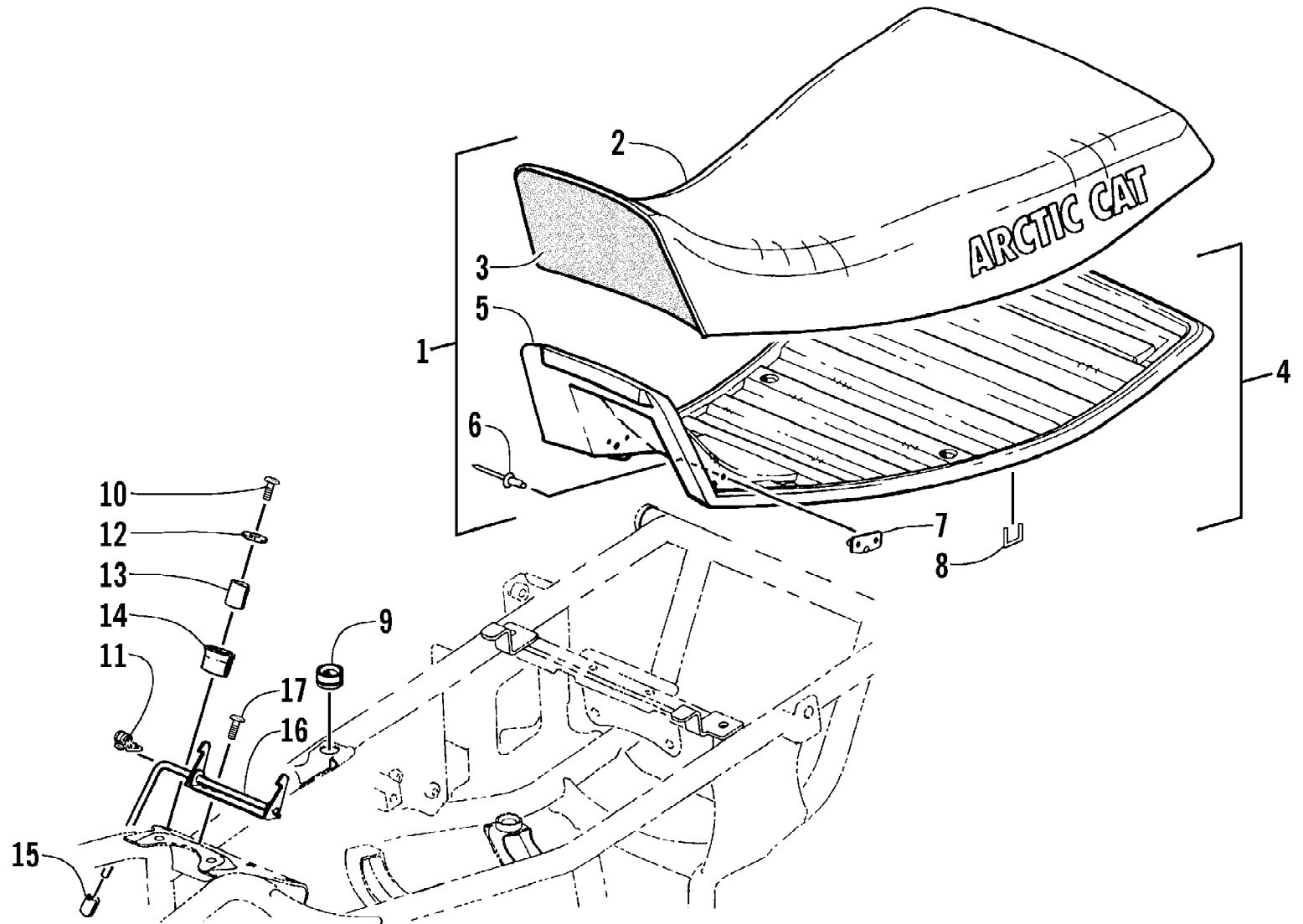
Ref #	Part Number	Qty	S/P/F	Description
1	3445-018	1	S	Starter, Recoil - Assembly (inc. 2-6 and 13-14)
2	3445-019	1		Reel
3	3445-016	1		Ratchet - Assembly (inc. 13-14)
4	3445-007	1		Spring, Spiral
5	3004-488	1	S/P	Nut
6	3445-020	1		Rope Assembly
7	3445-021	1	S	Gasket, Recoil
8	3423-112	6	S	Screw, Cap
9	3003-290	1	/P	Gasket
10	3445-022	1		Cup, Starter
11	3004-336	1	S/P	Nut
12	3004-362	1	S/P	Washer, Lock
13	3445-005	1		Ratchet
14	3445-006	1		Guide, Ratchet



2002 ATV 250/300 (250 4X4 GREEN) (A2002ATE4AUSG)
 REVERSE SHIFT LEVER ASSEMBLY

Page 61 of 84

Ref #	Part Number	Qty	S/P/F	Description
1	8424-602	1	/P	Nut
2	8408-812	1		Screw, Cap
3	0502-237	1		Axle, Reverse Lever
4	0502-185	1		Lever, Shift
5	0423-299	2	/P	O-Ring
6	0423-182	2	/P	O-Ring
7	0423-087	1		Washer
8	0402-678	1	/P	Spring
9	0402-675	1		Axle, Pivot
10	0402-843	1	/P	Handle, Reverse Lever
11	0423-345	1		Clip, Push
12	0502-250	1		Linkage, Shift
13	0402-844	1		End, Rod
14	0623-294	2		Nut
15	0423-091	1		Bushing
16	8050-242	1		Washer
17	3423-168	1	S	E-Ring
18	0409-008	1		Reverse Switch
19	0402-168	1	/P	Retainer, Reverse Switch
20	0406-938	1	S	Bracket, Reverse Switch
21	8408-616	2		Screw, Cap
22	0402-847	1		Plate, Shift
23	0406-943	1		Shield, Linkage
24	0423-373	3		Screw, Machine
25	0623-309	1		Screw, Self-Tapping

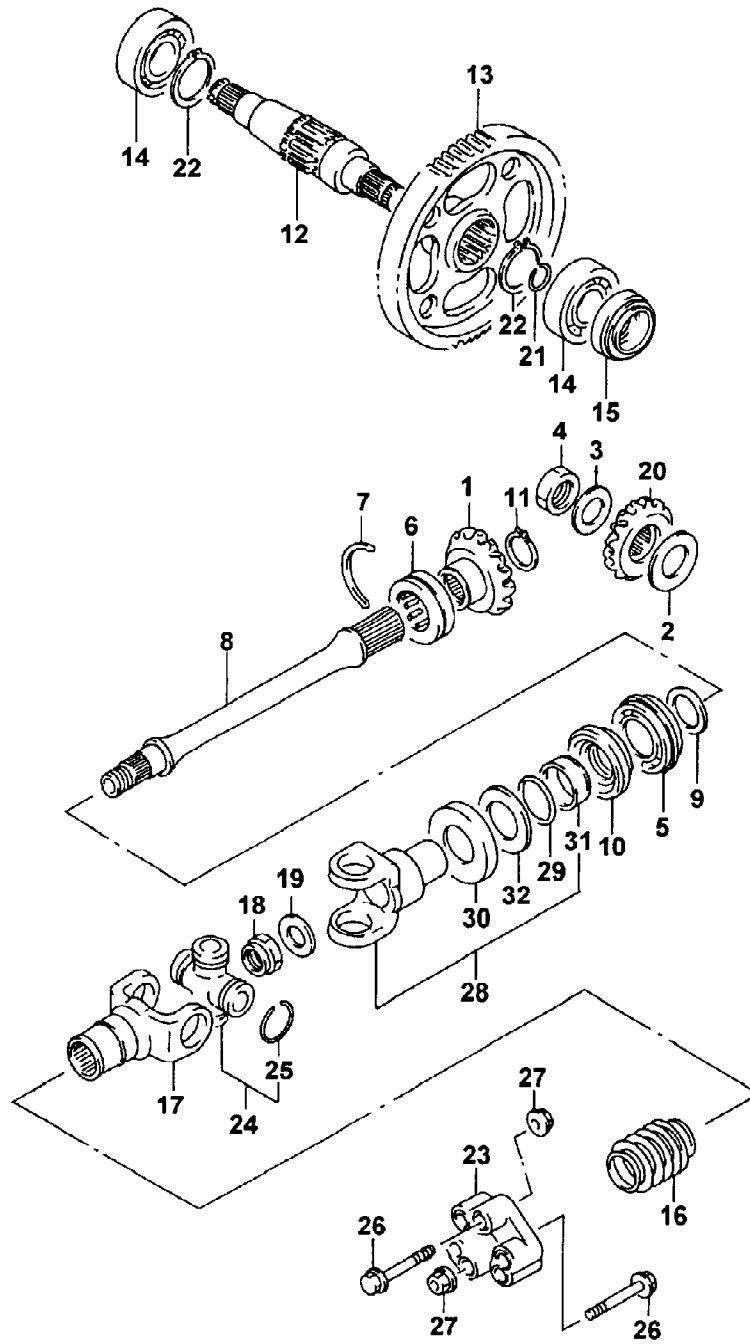


2002 ATV 250/300 (250 4X4 GREEN) (A2002ATE4AUSG)
SEAT ASSEMBLY

Page 63 of 84

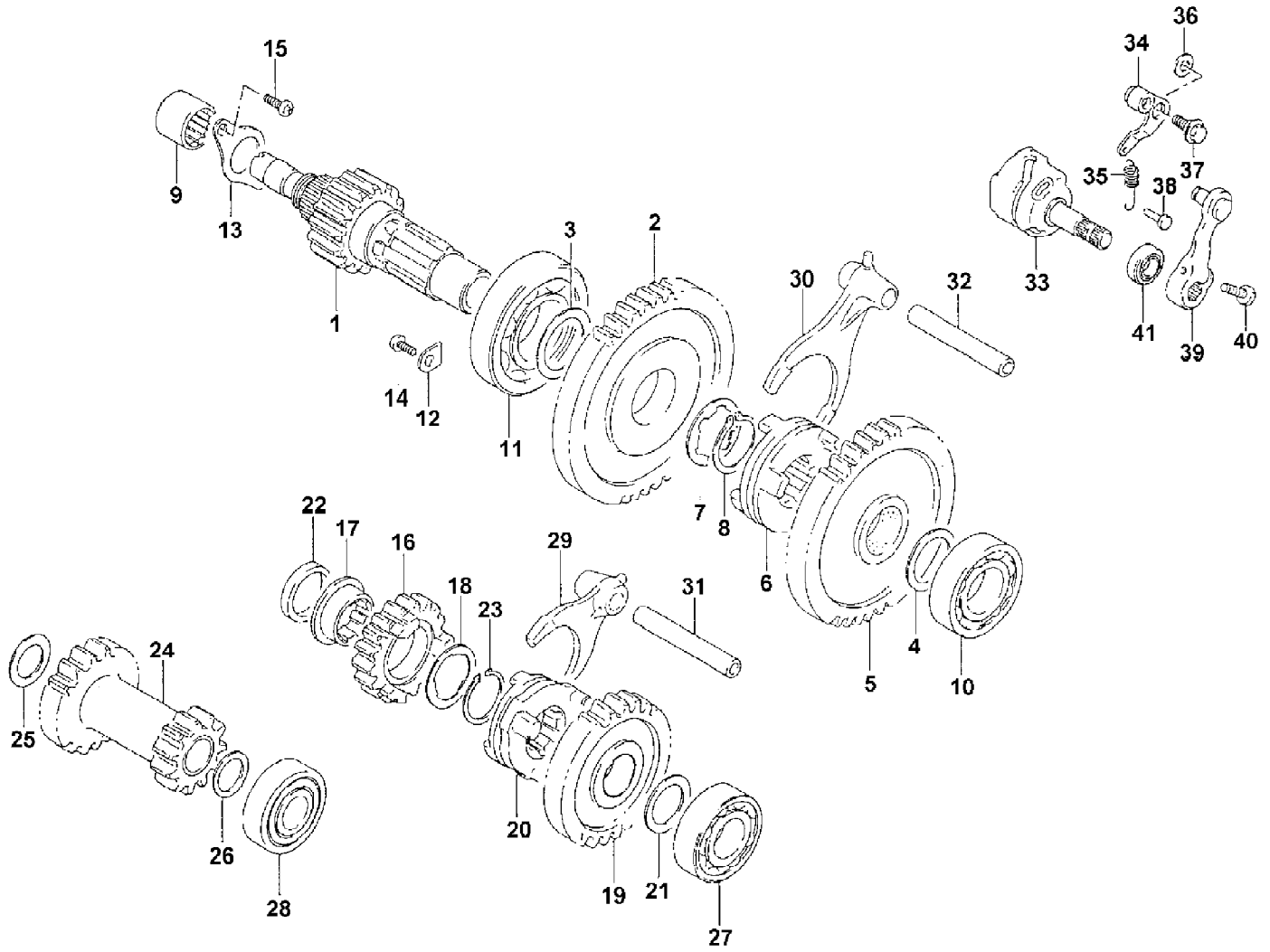
Ref #	Part Number	Qty	S/P/F	Description
1	0506-681	1		Seat Assembly (inc. 2-8)
2	0506-682	1		Cover, Seat
3	0506-291	1		Foam, Seat
4	0506-223	1	/P	Base, Seat - Assembly (inc. 5-7)
5	0	1	F	Base, Seat
6	8061-628	4		Rivet
7	0506-147	2	S	Pin, Seat-Base - Front
8	0624-100	AR		Staple
9	0406-309	2		Grommet, Seat - Center
10	8476-620	2		Screw, Cap
11	0406-235	1		Spring, Seat Latch
12	8050-217	2	/P	Washer
13	0406-199	2		Collar, Front Seat-Base
14	0406-171	2		Bumper, Seat-Base - Front
15	0623-404	1		Cap, Protector
16	0406-103	1	S	Latch, Seat - Assembly
17	8476-616	2		Screw, Machine

2002 ATV 250/300 (250 4X4 GREEN) (A2002ATE4AUSG)
SECONDARY GEAR/OUTPUT SHAFT ASSEMBLY



Ref #	Part Number	Qty	S/P/F	Description
1	3446-269	1		Gear, Secondary Drive Bevel (250 4X4)
1	3446-197	1		Gear, Secondary Drive Bevel (300 4X4)
2	3446-035	1		Shim Set, Secondary Drive Bevel (4X4)
3	3423-032	1		Washer (4X4)
4	3423-254	1		Nut (4X4)
5	3402-067	1	S	Bearing, Front (4X4)
6	3402-515	1	/P	Bearing, Rear (250 4X4)
6	3402-062	1	S	Bearing, Rear (300 4X4)
7	3423-072	1		Ring (4X4)
8	3446-199	1		Shaft, Secondary Output (4X4)
9	3402-308	AR		Shim, 25 x 34 x 0.50 mm (4X4)
9	3402-017	AR		Shim, 25 x 34 x 0.60 mm (4X4)
9	3402-018	AR		Shim, 25 x 34 x 0.65 mm (4X4)
9	3402-019	AR		Shim, 25 x 34 x 0.70 mm (4X4)
9	3402-020	AR		Shim, 25 x 34 x 0.75 mm (4X4)
9	3402-021	AR	S	Shim, 25 x 34 x 0.80 mm (4X4)
9	3402-022	AR		Shim, 25 x 34 x 0.85 mm (4X4)
9	3402-023	AR		Shim, 25 x 34 x 0.90 mm (4X4)
9	3402-024	AR		Shim, 25 x 34 x 0.95 mm (4X4)
9	3402-025	AR	S	Shim, 25 x 34 x 1.00 mm (4X4)
9	3402-028	AR		Shim, 25 x 34 x 1.05 mm (4X4)
9	3402-029	AR		Shim, 25 x 34 x 1.10 mm (4X4)
9	3402-030	AR		Shim, 25 x 34 x 1.15 mm (4X4)
9	3402-031	AR		Shim, 25 x 34 x 1.20 mm (4X4)
10	3402-072	1		Seal, Oil
11	3423-340	1	S	Circlip (4X4)
12	3446-176	1		Shaft, Rear Final Driven
13	3446-175	1		Gear, Driven
14	3402-219	2		Bearing
15	3402-072	2		Seal, Oil
16	3435-005	1	/P	Boot (4X4)
17	3435-002	1		Yoke, Output Shaft Joint (4X4)
18	3423-025	1		Nut (4X4)
19	3423-028	1		Washer (4X4)
20	3446-270	1		Gear, Secondary Driven Bevel (250 4X4)
20	3446-198	1		Gear, Secondary Driven Bevel (300 4X4)
21	3423-281	2		Ring
22	3423-321	2		Circlip
23	3435-007	1		Coupling (4X4)
24	3435-011	1		Joint, Universal (inc. 25) (4X4)
25	3423-067	4		Circlip
26	3423-182	6	S	Screw, Cap (4X4)
27	3004-491	6	S/P	Nut (4X4)
28	3435-001	1	S	Yoke, Output - Front (inc. 29-32) (4X4)
29	3423-060	1		O-Ring
30	3423-035	1		Plate
31	3435-029	1		Collar
32	3435-030	1		Plate, Oil Seal

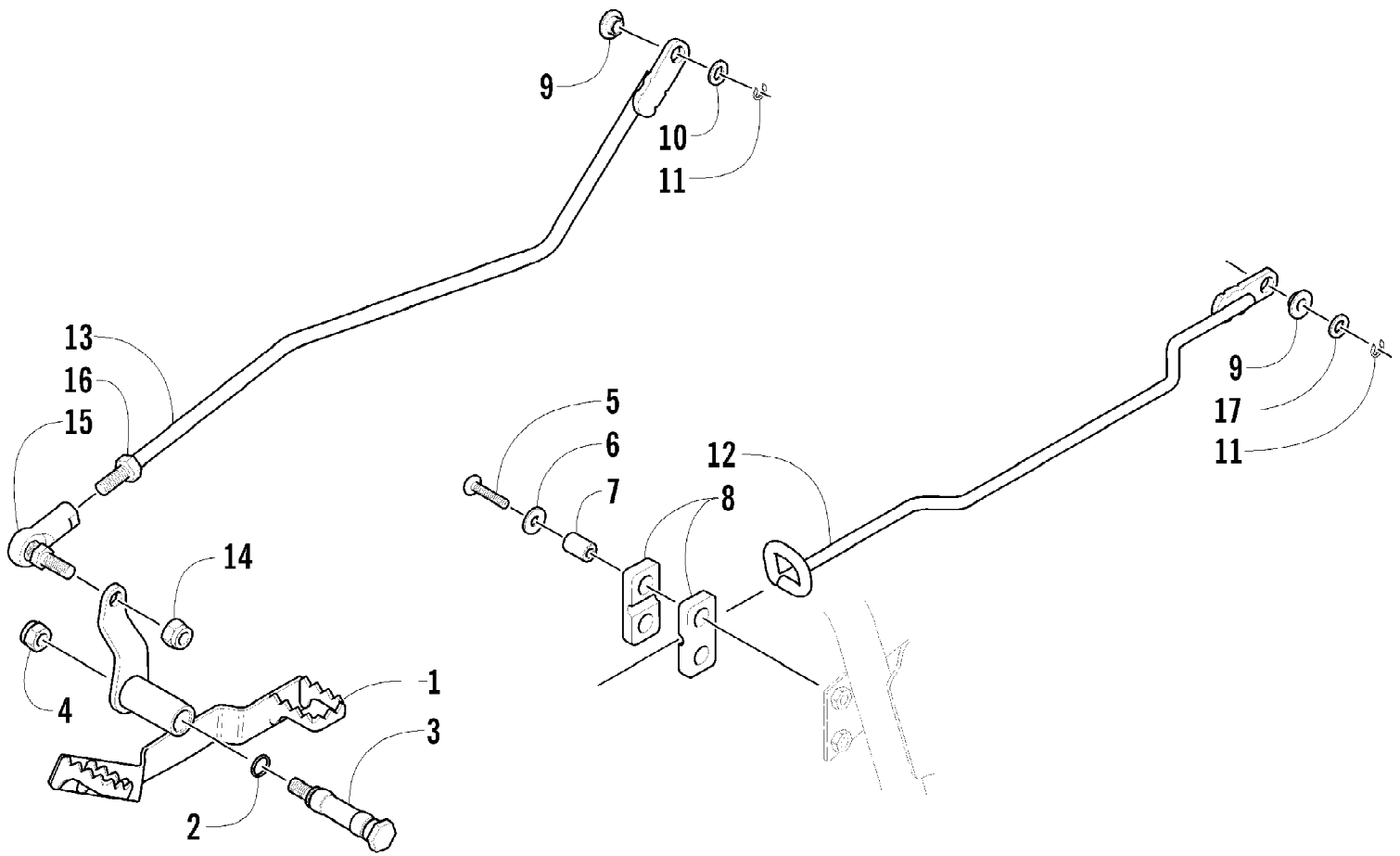
2002 ATV 250/300 (250 4X4 GREEN) (A2002ATE4AUSG)
SECONDARY TRANSMISSION ASSEMBLY



2002 ATV 250/300 (250 4X4 GREEN) (A2002ATE4AUSG)
SECONDARY TRANSMISSION ASSEMBLY

Page 67 of 84

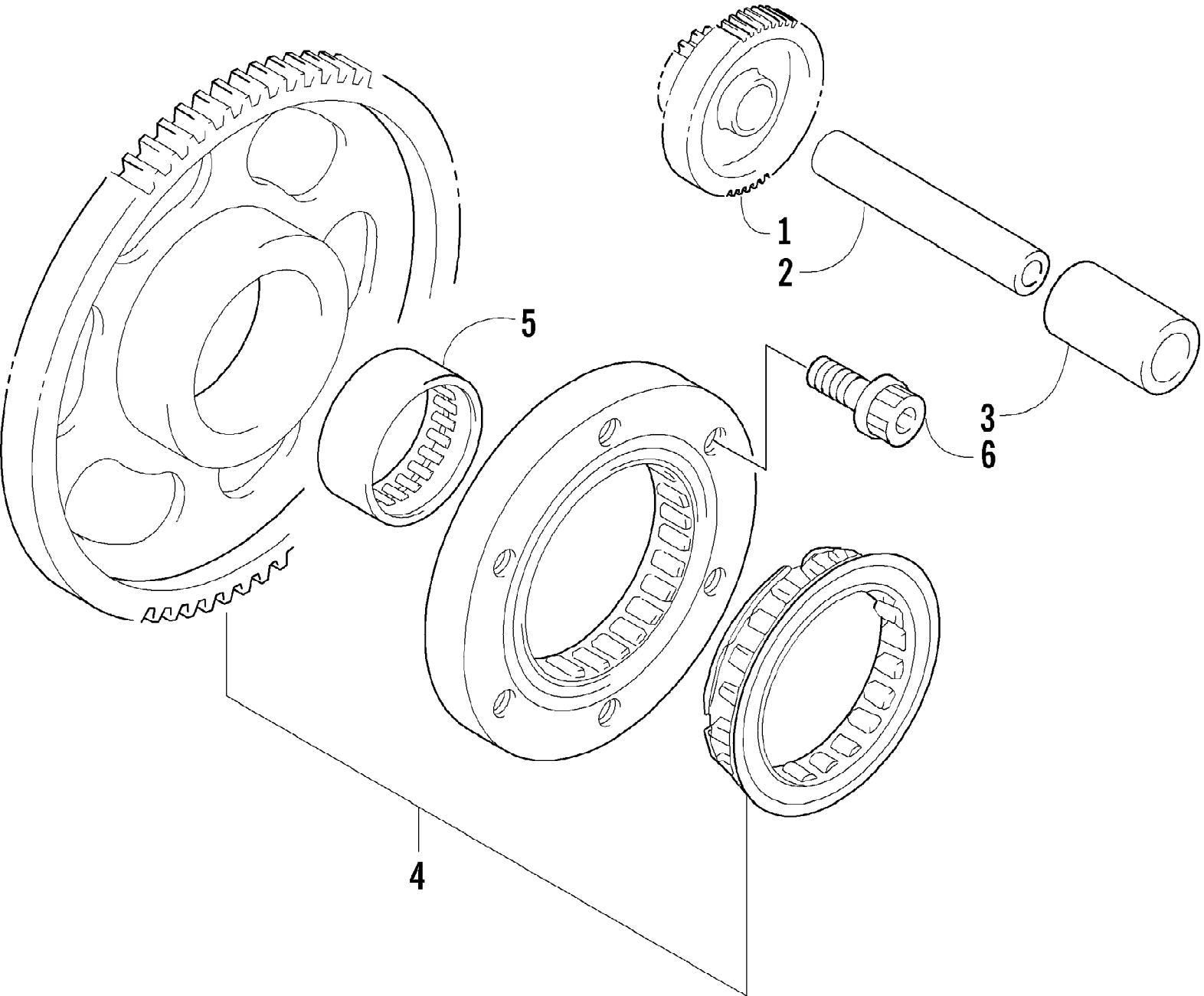
Ref #	Part Number	Qty	S/P/F	Description
1	3446-179	1		Shaft, Sub-Transmission
1	3446-206	1		Shaft, Sub-Transmission (4X4)
2	3446-184	1		Gear, Driven
2	3446-207	1		Gear, Driven (4X4)
3	3423-338	1		Washer - Right (4X4)
4	3423-298	1		Washer - Left (4X4)
5	3446-208	1		Gear, Driven (4X4)
6	3446-209	1		Dog, Driven Gear (4X4)
7	3423-317	1		Washer (4X4)
8	3423-318	1	S	Circlip
9	3402-278	1		Bearing - Right
10	3004-209	1	/P	Bearing - Left
11	3402-180	1	S	Bearing - Middle
11	3402-055	1	/P	Bearing - Middle (300)
12	3446-031	2	/P	Retainer
13	3446-154	1		Retainer (300)
14	3004-552	2	S	Screw
15	0693-321	2		Screw (300)
16	3446-181	1	S	Gear, Drive
17	3446-259	1	/P	Bushing
18	3423-036	1		Washer
19	3446-182	1		Gear, Drive
20	3446-183	1		Dog, Drive Gear
21	3402-195	1		Washer
22	3402-207	1		Spacer
23	3423-066	1	/P	Circlip
24	3446-272	1	/P	Gear, Idler
25	3402-205	1		Washer
26	3423-319	1		Washer
27	3003-261	1	/P	Bearing, Drive - Left
28	3402-217	1		Bearing, Countershaft - Left
29	3446-185	1		Fork
30	3446-210	1		Fork (4X4)
31	3446-271	1	/P	Shaft
32	3446-230	1		Shaft (4X4)
33	3446-186	1		Cam, Sub-Transmission Gear
33	3446-211	1		Cam, Sub-Transmission Gear (4X4)
34	3446-187	1		Stopper
35	3402-241	1		Spring
36	3423-141	1		Washer
37	3423-240	1		Screw, Cap
38	3423-268	1		Pin (4X4)
39	3446-116	1		Arm
40	3423-125	1	S	Screw, Cap
41	3402-076	1		Seal, Oil



2002 ATV 250/300 (250 4X4 GREEN) (A2002ATE4AUSG)
 SHIFTER ASSEMBLY

Page 69 of 84

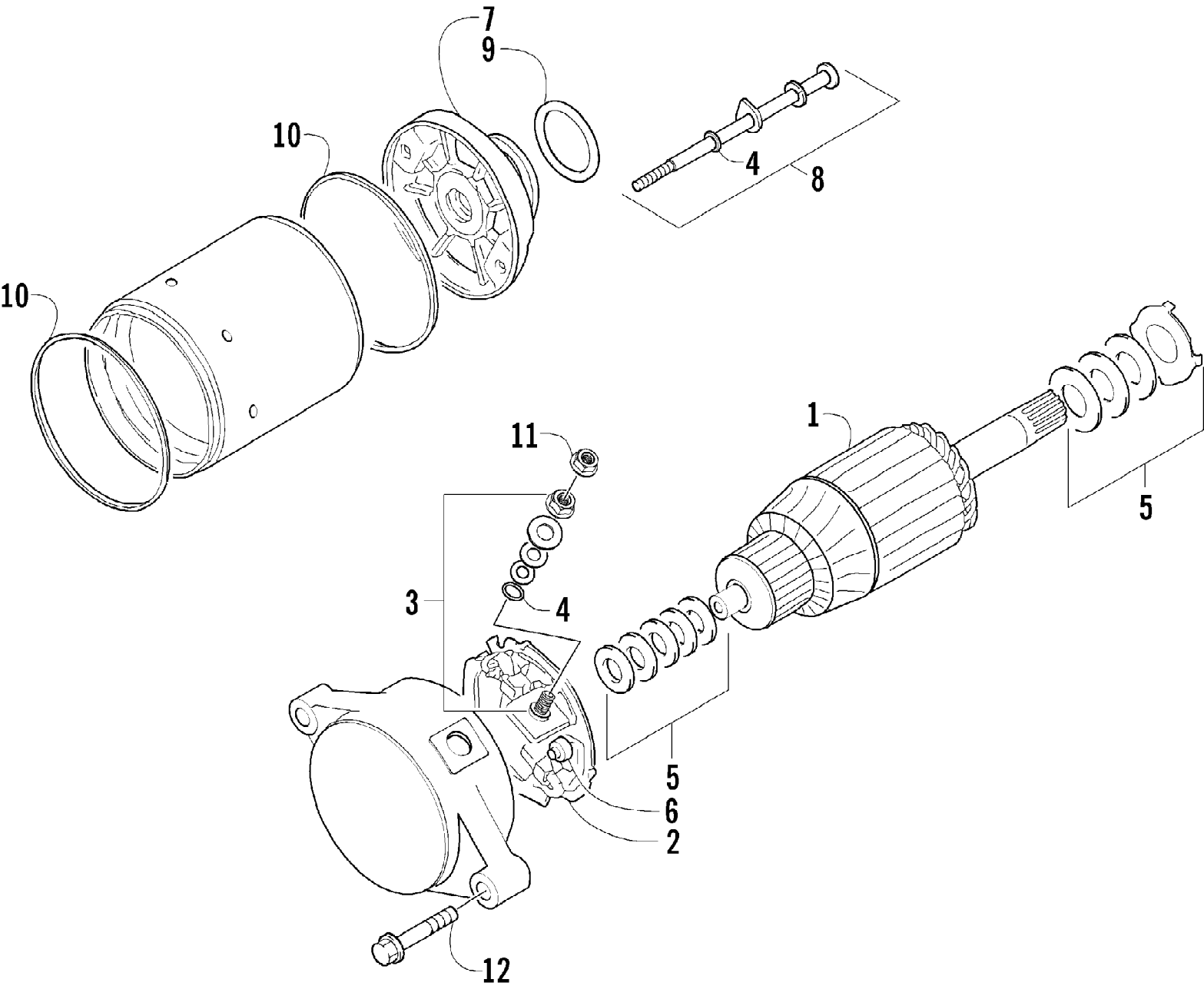
Ref #	Part Number	Qty	S/P/F	Description
1	0502-253	1		Lever, Footshift
2	0423-096	2		O-Ring
3	0402-370	1		Axle, Lever
4	8422-002	1		Nut
5	8476-630	2		Screw, Cap
6	8050-222	2	/P	Washer
7	0402-256	2		Collar, High/Low Shift
8	0406-363	2		Bushing, High/Low Shift
9	0423-091	2		Bushing, Linkage
10	8050-242	1		Washer
11	3423-168	2	S	E-Ring, Linkage
12	0502-257	1		Linkage, High/Low
13	0502-256	1		Linkage, Footshift
14	0623-025	1		Nut, Lock
15	0402-844	1		End, Rod
16	0623-294	1		Nut
17	8050-247	1	/P	Washer



2002 ATV 250/300 (250 4X4 GREEN) (A2002ATE4AUSG)
STARTER CLUTCH ASSEMBLY

Page 71 of 84

Ref #	Part Number	Qty	S/P/F	Description
1	3402-274	1	S	Gear, Starter Idler
2	3423-267	1		Pin
3	3402-145	1		Spacer
4	3402-273	1		Clutch Set, Starter (inc. 5)
5	3402-222	1		Bearing
6	3423-309	3		Screw, Cap

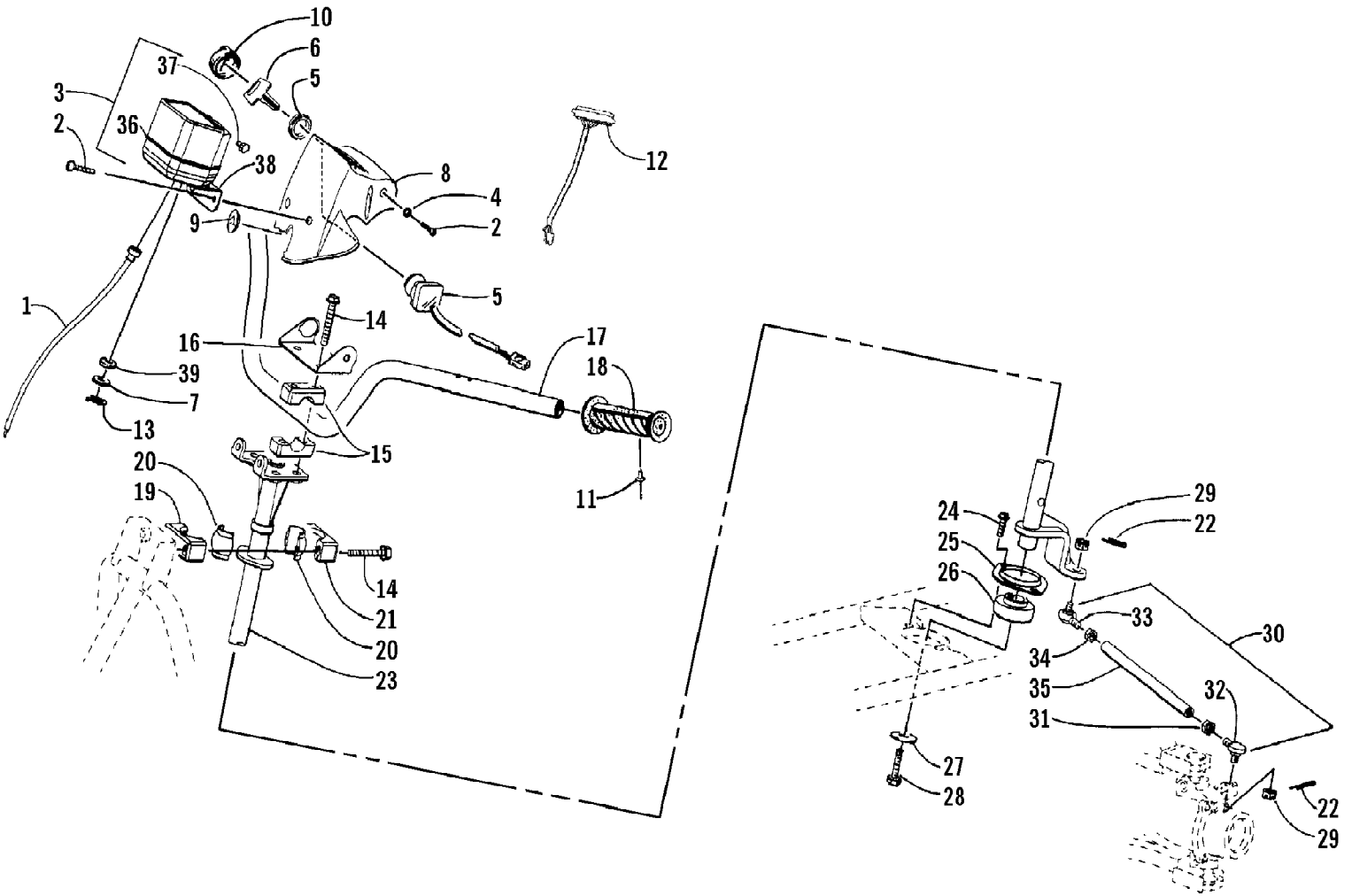


2002 ATV 250/300 (250 4X4 GREEN) (A2002ATE4AUSG)
STARTER MOTOR ASSEMBLY

Page 73 of 84

Ref #	Part Number	Qty	S/P/F	Description
	3545-003	1	S	Complete Assembly
1	3008-554	1		Armature
2	3008-550	1		Holder Set, Brush
3	3008-549	1		Terminal Set, Brush (inc. one No. 4)
4	3008-164	3		O-Ring
5	3008-099	1		Washer Set
6	3008-551	2		Spring, Brush
7	3008-552	1		Bracket, Front - Assembly
8	3423-289	2		Bolt Set (inc. two No. 4)
9	3423-272	1		O-Ring
10	3008-553	2	/P	O-Ring
11	3423-195	1	/P	Nut
12	3004-756	2	S	Screw, Cap

2002 ATV 250/300 (250 4X4 GREEN) (A2002ATE4AUSG)
STEERING ASSEMBLY

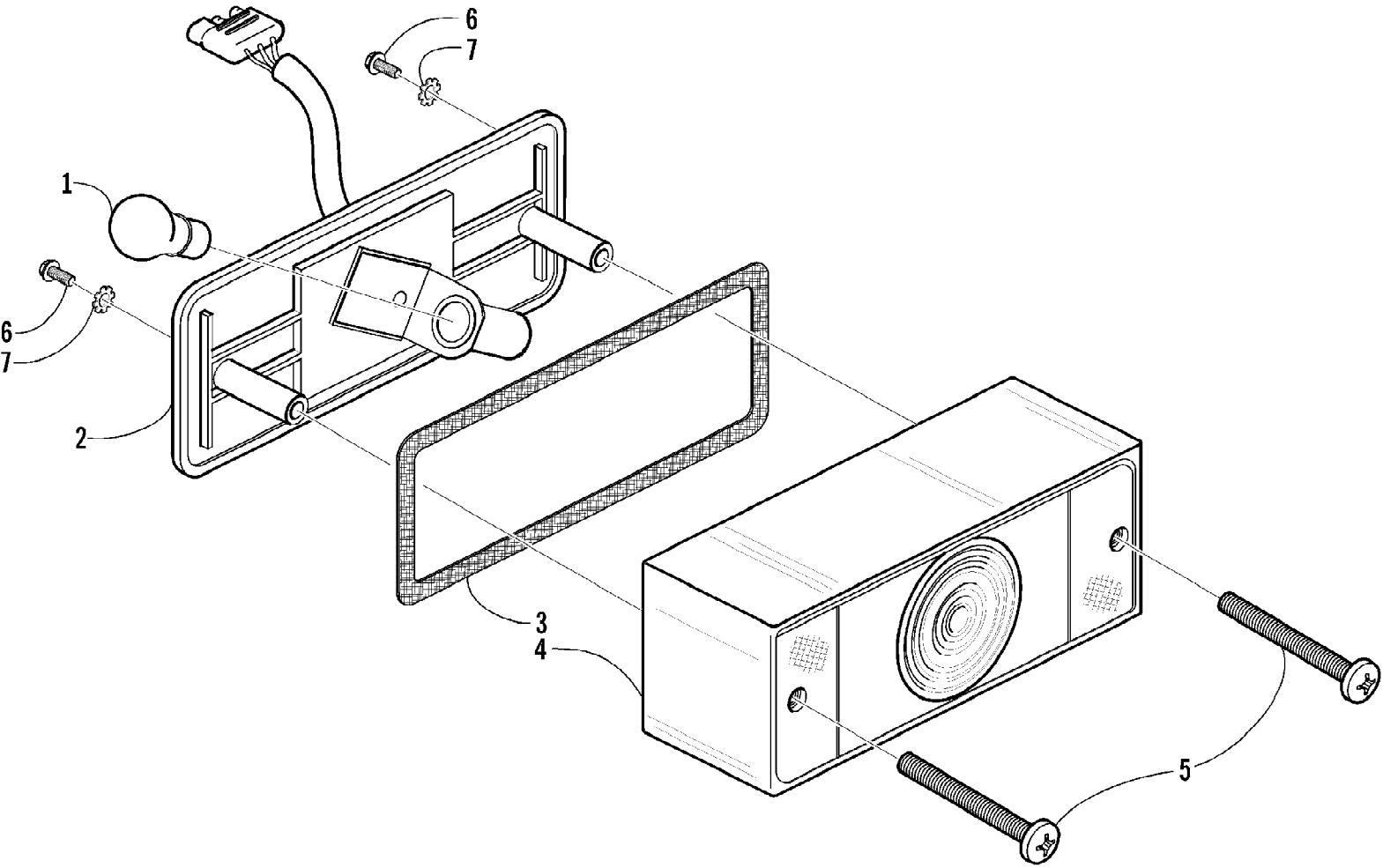


2002 ATV 250/300 (250 4X4 GREEN) (A2002ATE4AUSG)
STEERING ASSEMBLY

Page 75 of 84

Ref #	Part Number	Qty	S/P/F	Description
1	0487-013	1	S	Cable, Speedometer (300 4X4)
2	8477-616	3		Screw, Machine
3	0420-040	1	/P	Speedometer (inc. 7, 13, and 36-39) (300 4X4)
4	0423-052	1		Collar, Body
5	3430-040	1		Switch, Ignition - Assembly (inc. 6)
6	3409-007	1	/P	Key, Ignition - Blank (C Series)
6	3409-011	1		Key, Ignition - Blank (D Series)
6	3409-012	1		Key, Ignition - Blank (E Series)
6	3409-013	1		Key, Ignition - Blank (F Series)
7	0420-017	2		Washer (300 4X4)
8	0405-063	1		Housing, Instrument
9	0405-042	1		Plug, Instrument Pod (250/300 2X4)
10	0409-013	1		Cover, Key
11	8060-428	2		Rivet
12	0420-029	1	S	Panel, LED
12	0420-022	1	S	Panel, LED (300 4X4)
13	0420-015	2		Pin, Retainer (300 4X4)
14	8408-860	6		Screw, Cap
15	0405-035	4		Cap, Steering Adjuster
16	0506-348	1	/P	Bracket, Key Switch
17	0505-406	1	S/P	Tube, Handlebar
18	0405-039	2	/P	Grip, Handlebar
19	0605-171	1		Housing, Bearing - Lower
20	0405-020	2		Bearing, Steering Post
21	0605-147	1	S	Housing, Bearing - Upper
22	0623-175	4		Pin, Cotter
23	0505-073	1	S	Post, Steering
24	8408-816	2		Screw, Cap
25	0602-233	1		Flange, Bearing
26	0405-052	1		Bearing, Steering
27	0423-073	1		Washer
28	8409-020	1	/P	Screw, Cap
29	0423-157	4		Nut, Top Lock
30	0505-072	2	/P	Tie Rod, Assembly (inc. 31-35)
31	8420-002	2	/P	Nut
32	0405-082	2	S	Ball Joint, Tie Rod - Right
33	0405-083	2	S	Ball Joint, Tie Rod - Left
34	0423-013	2		Nut - Left
35	0405-032	2		Tie Rod
36	0420-032	1		Head, Speedometer (300 4X4)
37	0420-027	1		Knob, Speedometer Trip (300 4X4)
38	0420-018	1		Bracket, Speedometer (300 4X4)
39	0420-016	2		Mount, Rubber (300 4X4)

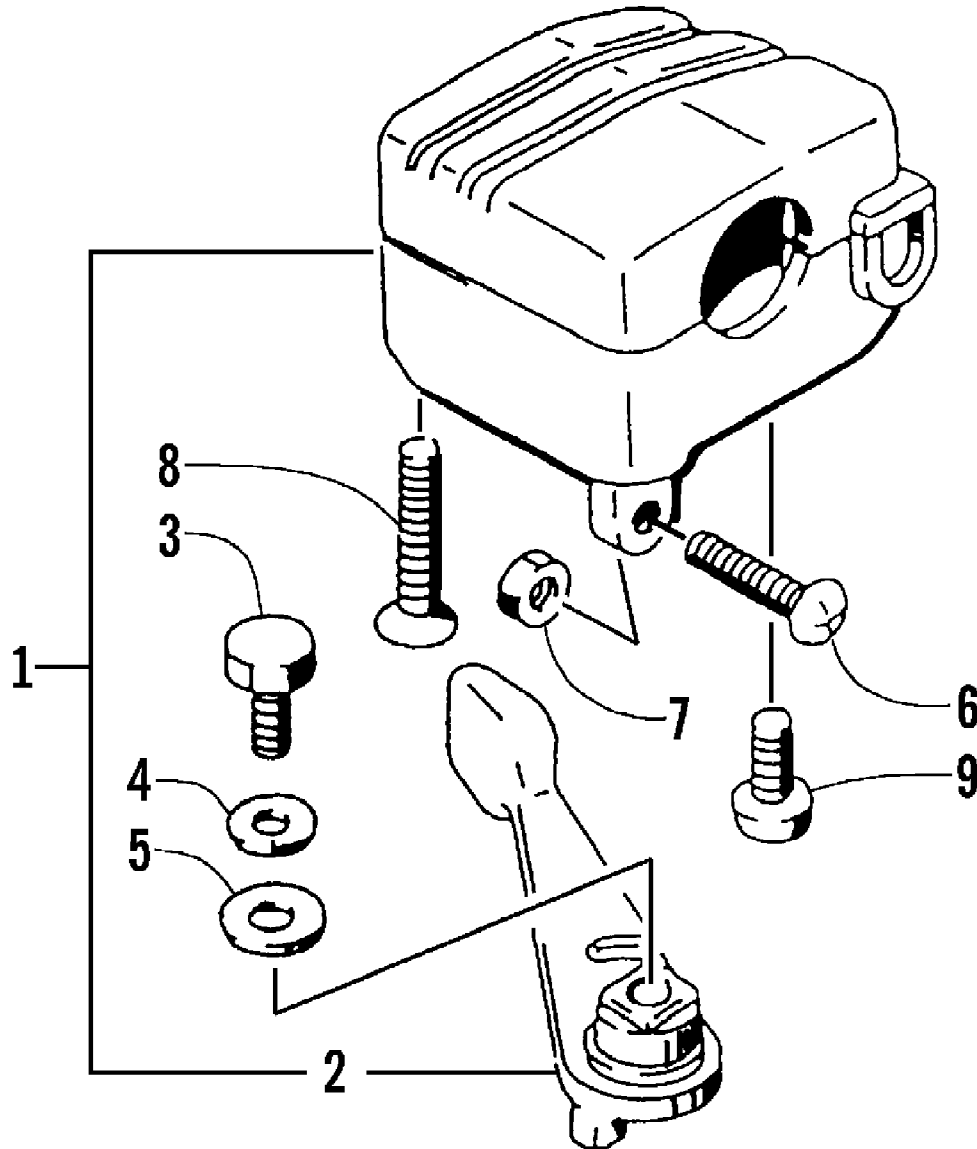
2002 ATV 250/300 (250 4X4 GREEN) (A2002ATE4AUSG)
TAILLIGHT ASSEMBLY



2002 ATV 250/300 (250 4X4 GREEN) (A2002ATE4AUSG)
TAILLIGHT ASSEMBLY

Page 77 of 84

Ref #	Part Number	Qty	S/P/F	Description
	0409-002	1		Complete Taillight Assembly
1	0109-460	1	/P	Bulb, Stop/Taillight
2	0409-011	1		Taillight w/Socket Assembly
3	0409-012	1		Gasket, Taillight Lens
4	0409-007	1		Lens, Taillight
5	0409-010	2		Screw, Machine
6	0623-301	2	/P	Screw, Self-Tapping
7	8053-212	2	/P	Washer, Lock - External Tooth

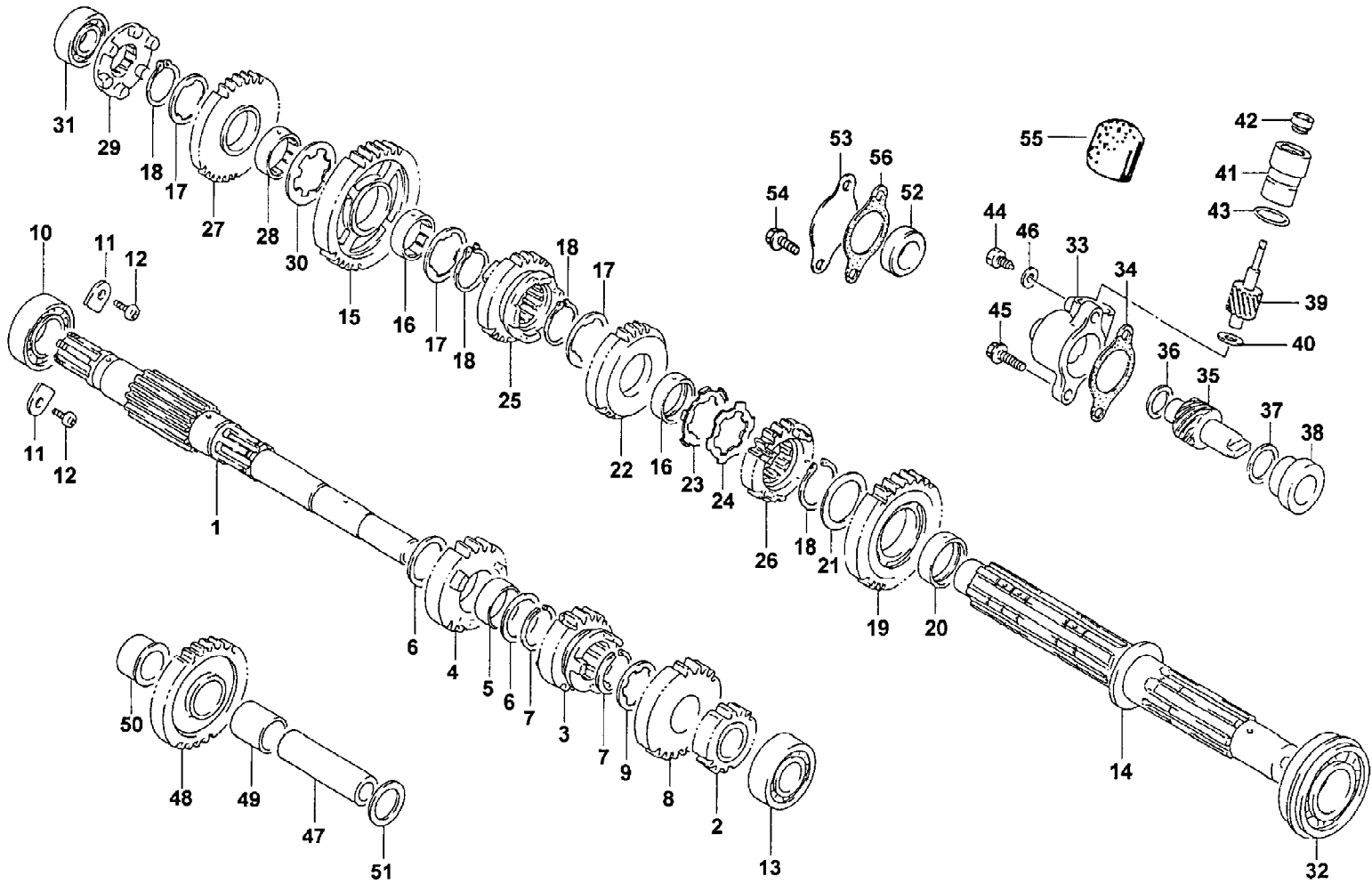


2002 ATV 250/300 (250 4X4 GREEN) (A2002ATE4AUSG)
THROTTLE CASE ASSEMBLY

Page 79 of 84

Ref #	Part Number	Qty	S/P/F	Description
1	3509-003	1	/P	Case, Throttle - Assembly (inc. 2-9)
2	3409-001	1		Lever
3	3004-533	1	S/P	Screw, Cap
4	3004-447	1	/P	Washer, Lock
5	3003-030	1	/P	Washer
6	3423-014	1		Screw
7	3423-327	1		Nut
8	3423-199	2		Screw
9	3004-638	1	/P	Screw

2002 ATV 250/300 (250 4X4 GREEN) (A2002ATE4AUSG)
TRANSMISSION ASSEMBLY



2002 ATV 250/300 (250 4X4 GREEN) (A2002ATE4AUSG)
TRANSMISSION ASSEMBLY

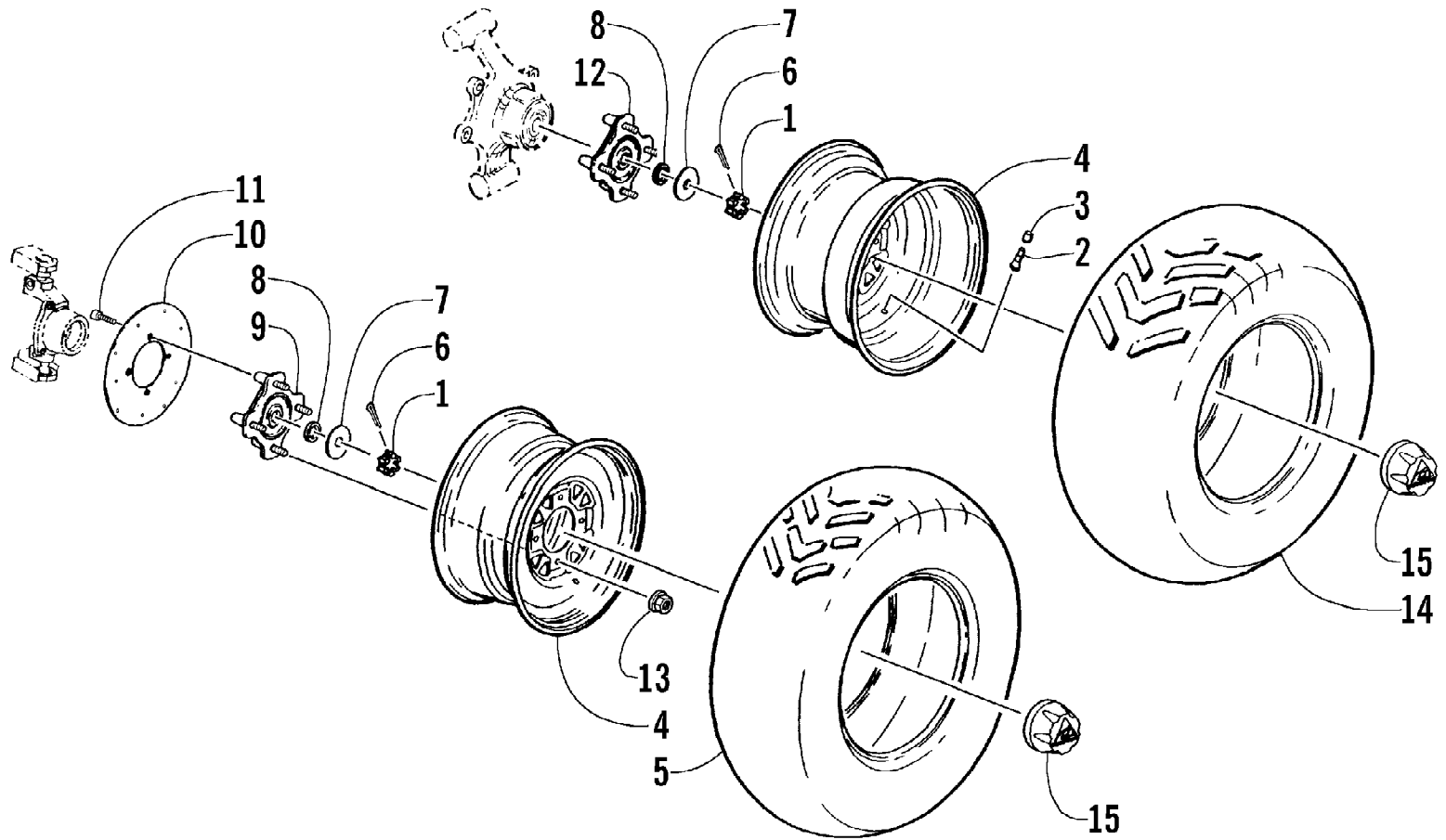
Page 81 of 84

Ref #	Part Number	Qty	S/P/F	Description
1	3446-135	1	S	Countershaft
2	3446-137	1		Gear, 2nd Drive
3	3446-138	1		Gear, 3rd Drive
4	3446-139	1		Gear, 4th Drive
5	3402-229	1		Bushing
6	3402-210	2		Washer
7	3423-279	2		Circlip
8	3446-140	1		Gear, 5th Drive
9	3423-261	1	S	Washer
10	0691-374	1		Bearing - Right
11	3446-031	2	/P	Retainer
12	3004-552	2	S	Screw
13	3402-224	1		Bearing - Middle
14	3446-136	1	S	Driveshaft
15	3446-141	1		Gear, 1st Driven
16	3446-144	2	S	Bushing
16	3446-273	2	/P	Bushing (250 4X4)
17	3423-036	3		Washer
18	3423-066	4	/P	Circlip
19	3446-142	1		Gear, 2nd Driven
20	3402-230	1		Bushing
21	3423-317	1		Washer
22	3446-143	1		Gear, 3rd Driven
23	3423-266	1		Washer, Lock
24	3423-262	1		Washer, Lock
25	3446-146	1		Gear, 4th Driven
26	3446-147	1		Gear, 5th Driven
27	3446-151	1		Gear, Reverse Driven
28	3446-145	1		Bushing
29	3446-152	1		Dog, Reverse
30	3423-263	1		Washer
31	3402-218	1		Bearing - Right
32	3402-220	1		Bearing - Middle
33	3446-057	1		Housing, Speedometer Gear (300 4X4)
34	3446-059	1	S	Gasket (300 4X4)
35	3446-228	1		Gear, Speedometer Drive (300 4X4)
36	3423-336	1		Washer - Right (300 4X4)
37	3423-337	1	S	Washer - Left (300 4X4)
38	3446-114	1	/P	Spacer (300 4X4)
39	3446-229	1		Gear, Speedometer Driven (300 4X4)
40	3423-144	1		Washer (300 4X4)
41	3446-058	1		Sleeve (300 4X4)
42	3402-077	1		Seal, Oil (300 4X4)
43	3423-056	1		O-Ring (300 4X4)
44	3423-143	1	S	Screw, Cap (300 4X4)
45	3004-507	2	S	Screw, Cap (300 4X4)
46	3402-009	1	/P	Washer (300 4X4)
47	3446-148	1		Shaft, Reverse Idle
48	3446-149	1		Gear, Reverse Idle
49	3402-228	1		Bushing
50	3446-150	1		Spacer
51	3402-209	1		Washer
52	3402-255	1		Plugs, Cover - Hole (2X4)

2002 ATV 250/300 (250 4X4 GREEN) (A2002ATE4AUSG)
TRANSMISSION ASSEMBLY

Page 82 of 84

Ref #	Part Number	Qty	S/P/F	Description
53	3446-260	1		Retainer, Cover Plug (250)
53	3446-153	1		Retainer, Cover Plug (300 2X4)
54	3423-363	2		Bolt, Retainer (250)
54	3423-231	2		Bolt, Retainer (300 2X4)
55	0402-160	1		Cap, Speedometer Driven Gear
56	3446-244	1	/P	Gasket, Retainer



2002 ATV 250/300 (250 4X4 GREEN) (A2002ATE4AUSG)
WHEEL AND TIRE ASSEMBLY

Page 84 of 84

Ref #	Part Number	Qty	S/P/F	Description
1	0423-346	4		Nut, Hex
2	0402-064	4		Stem, Valve (inc. 3)
3	0402-140	4		Cap, Valve Stem
4	0402-891	4		Wheel Assembly
5	0402-316	2	/P	Tire - Front
5	0402-317	2	/P	Tire - Front (300 4X4)
6	0123-458	4	/P	Pin, Cotter
7	0423-080	4		Washer
8	0402-181	4		Seal, Hub
9	0502-260	2	S/P	Hub, Wheel - Front (2X4)
9	0502-258	2	/P	Hub, Wheel - Front (4X4)
10	0402-874	3	S	Disc, Brake
11	0423-029	12		Screw, Machine
12	0502-258	1	/P	Hub, Wheel - Rear - Right
12	0502-259	1	S	Hub, Wheel - Rear - Left
13	0423-322	16		Nut, Mounting - Wheel
14	0402-317	2	/P	Tire, Rear
14	0402-319	2	/P	Tire, Rear (300)
15	0403-035	4	/P	Cap, Wheel - Center