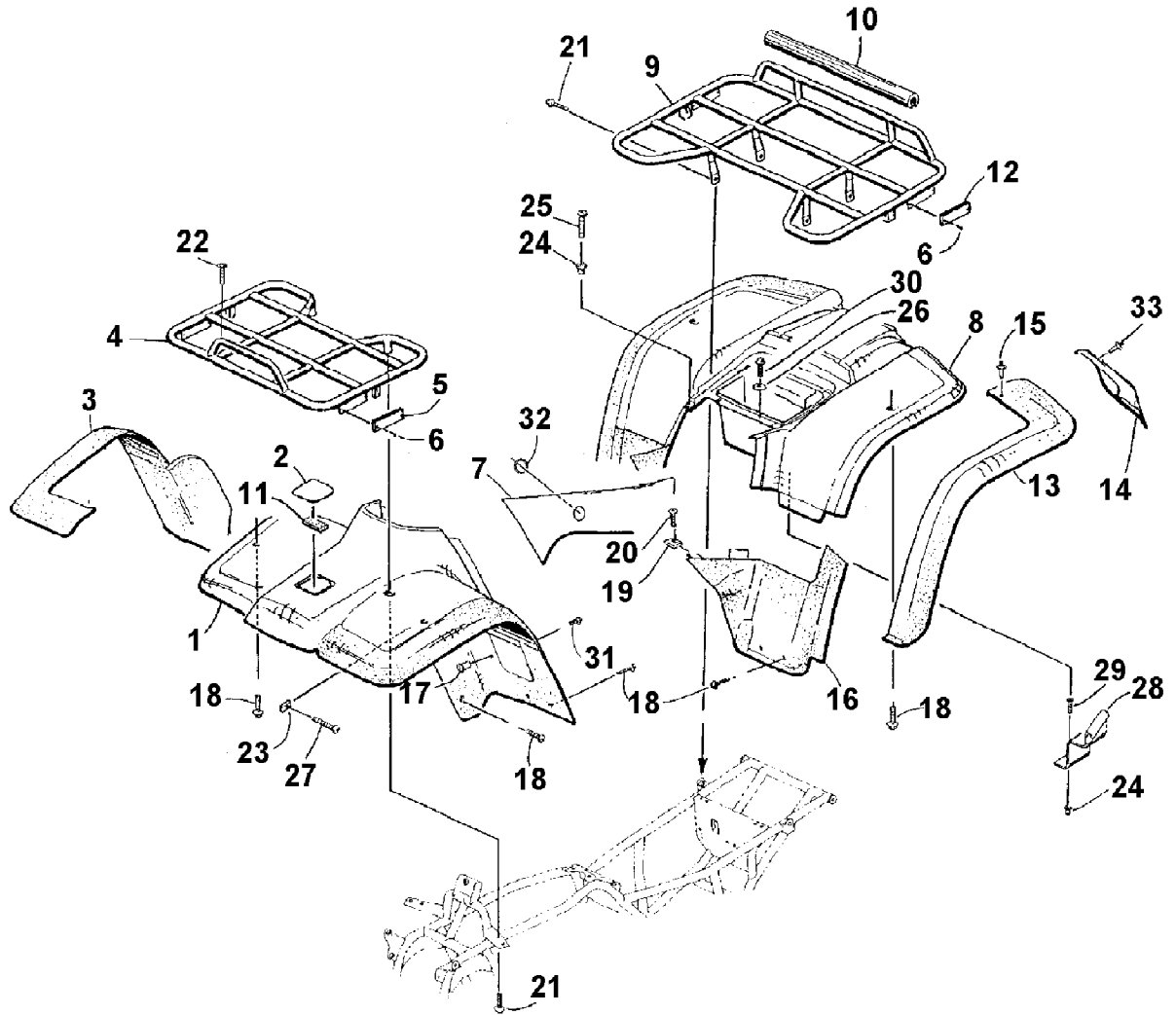


2001 500 GREEN (A2001ATM4AUSG) (ATV 400/500 CC MANUAL TRANSMISSION)
 AIR INTAKE ASSEMBLY Page 12 of 101

| Ref # | Part Number | Qty | S/P/F | Description |
|-------|-------------|-----|-------|-----------------------------------|
| 1 | 0423-066 | 1 | | Clamp |
| 2 | 0470-305 | 1 | | Boot, Air Cleaner |
| 3 | 0423-018 | 2 | | Clamp |
| 4 | 0470-337 | 1 | | Housing, Air Cleaner |
| 5 | 0623-301 | 3 | /P | Screw, Self-Tapping |
| 6 | 0470-343 | 1 | | Gasket, Air Cleaner |
| 7 | 0470-383 | 1 | /P | Snorkel, Air Cleaner |
| 8 | 0470-307 | 4 | | Clamp, Air Cleaner |
| 9 | 0423-037 | 4 | | Spring, Air Cleaner |
| 10 | 0623-121 | 4 | | Screw, Machine |
| 11 | 0123-010 | 4 | /P | Nut, Expansion |
| 12 | 0410-004 | 1 | | Hose, Crankcase Vent |
| 13 | 0470-391 | 1 | /P | Filter, Air Cleaner |
| 14 | 0623-361 | 2 | | Screw, Self-Tapping |
| 15 | 0470-309 | 1 | S | Valve, Air Cleaner |
| 16 | 1673-272 | 1 | /P | Cap, Fitting - Air Cleaner |
| 17 | 0423-047 | 1 | | Clamp, Hose |
| 18 | 0423-045 | 2 | | Clamp, Hose - Spring |
| 19 | 0470-351 | 2 | | Support, Air Cleaner Flange |
| 20 | 0406-356 | 1 | | Plate, Heat - Air Intake |
| 21 | 0530-001 | 1 | | Box, Fuse - Assembly (inc. 22-25) |
| 22 | 0 | 1 | F | Block, Fuse |
| 23 | 0 | 1 | F | Lid, Fuse Box |
| 24 | 0411-271 | 1 | | Decal, Fuse Block |
| 25 | 0630-057 | 4 | | Fuse - 10 Amp |
| 25 | 0630-058 | 2 | | Fuse - 15 Amp |

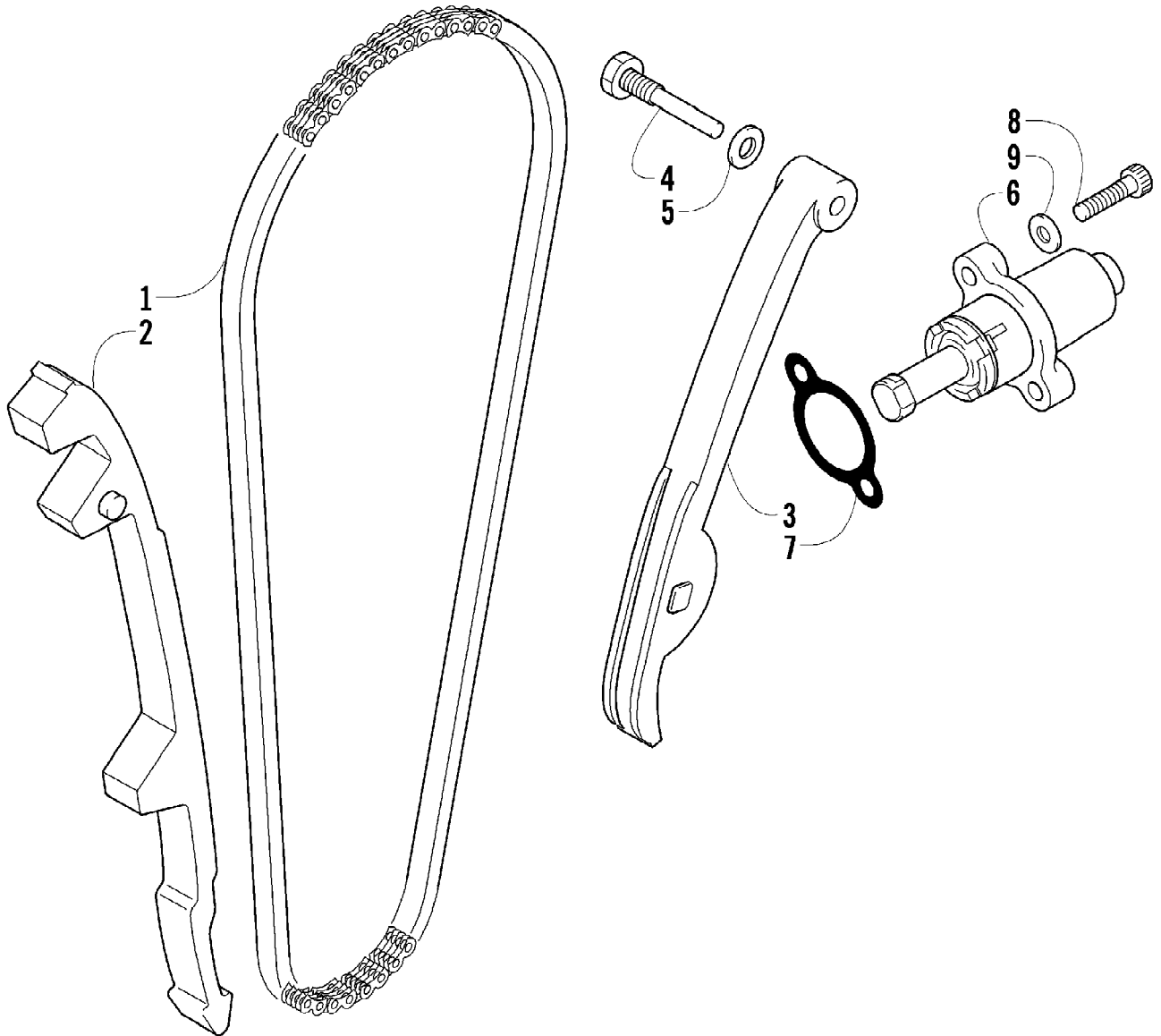


2001 500 GREEN (A2001ATM4AUSG) (ATV 400/500 CC MANUAL TRANSMISSION) of 101
BODY PANEL ASSEMBLY

| Ref # | Part Number | Qty | S/P/F | Description |
|-------|-------------|-----|-------|-------------------------------------|
| 1 | 0506-239 | 1 | | Panel, Fender - Front (Red) (2X4) |
| 1 | 0506-365 | 1 | | Panel, Fender - Front (Green) (2X4) |
| 1 | 0506-406 | 1 | /P | Panel, Fender - Front (Red) (4X4) |
| 1 | 0506-405 | 1 | /P | Panel, Fender - Front (Green) (4X4) |
| 2 | 0506-153 | 1 | S | Cover, Access (Red) |
| 2 | 0506-145 | 1 | S | Cover, Access (Green) |
| 3 | 0406-140 | 1 | /P | Flare - Front Right (2X4) |
| 3 | 0406-141 | 1 | /P | Flare - Front Left (2X4) |
| 3 | 0406-080 | 1 | /P | Flare - Front Right (4X4) |
| 3 | 0406-081 | 1 | /P | Flare - Front Left - 400 (4X4) |
| 3 | 0406-081 | 1 | /P | Flare - Front Left - 500 (4X4) |
| 4 | 0506-409 | 1 | | Rack - Front (400) |
| 4 | 0506-407 | 1 | | Rack - Front (500) |
| 5 | 0606-526 | 2 | | Reflector, Front - Yellow |
| 6 | 0623-269 | 8 | | Clip, Retaining |
| 7 | 0506-480 | 1 | | Panel, Side - Right (Red) (400) |
| 7 | 0506-487 | 1 | | Panel, Side - Right (Red) (500) |
| 7 | 0506-243 | 1 | | Panel, Side - Left (Red) |
| 7 | 0506-479 | 1 | | Panel, Side - Right (Green) (400) |
| 7 | 0506-486 | 1 | | Panel, Side - Right (Green) (500) |
| 7 | 0506-165 | 1 | | Panel, Side - Left (Green) |
| 8 | 0506-240 | 1 | | Panel, Fender - Rear (Red) (2X4) |
| 8 | 0506-366 | 1 | | Panel, Fender - Rear (Green) (2X4) |
| 8 | 0506-307 | 1 | | Panel, Fender - Rear (Red) (4X4) |
| 8 | 0506-157 | 1 | | Panel, Fender - Rear (Green) (4X4) |
| 9 | 0506-190 | 1 | /P | Rack - Rear (400) |
| 9 | 0506-482 | 1 | S | Rack - Rear (500) |
| 10 | 0406-293 | 1 | | Wrap, Tube - Rear Rack |
| 11 | 0417-002 | 1 | | Foam, Access Panel |
| 12 | 0606-029 | 2 | | Reflector, Rear - Red |
| 13 | 0406-082 | 1 | | Flare, Rear Right (4X4) |
| 13 | 0406-083 | 1 | | Flare, Rear Left (4X4) |
| 14 | 0406-558 | 1 | | Mud Flap - Right (4X4) |
| 14 | 0406-559 | 1 | | Mud Flap - Left (4X4) |
| 15 | 0423-046 | AR | | Rivet, Plastic |
| 16 | 0406-084 | 1 | | Fender Extension - Rear Right (2X4) |
| 16 | 0406-085 | 1 | | Fender Extension - Rear Left (2X4) |
| 16 | 0506-160 | 1 | | Fender Extension - Rear Right (4X4) |
| 16 | 0506-161 | 1 | | Fender Extension - Rear Left (4X4) |
| 17 | 0423-077 | 4 | /P | T-Nut w/Teeth (2X4) |
| 18 | 0423-101 | AR | | Screw, Body |
| 19 | 0423-060 | 2 | | Clip, Tinerman |
| 20 | 0623-309 | 2 | | Screw, Self-Tapping |
| 21 | 8409-020 | 6 | /P | Screw, Cap |
| 22 | 8477-612 | 2 | | Screw, Machine |
| 23 | 0423-031 | 2 | | Nut, Speed |
| 24 | 0123-010 | 3 | /P | Nut, Expansion |
| 25 | 0423-068 | 2 | | Screw, Machine |
| 26 | 0623-184 | 1 | | Washer |
| 27 | 8477-616 | 2 | | Screw, Machine |
| 28 | 0406-297 | 1 | | Plate, Heat - Rear Panel |
| 29 | 0123-549 | 1 | /P | Screw, Machine |
| 30 | 8476-616 | 1 | | Screw, Machine |

2001 500 GREEN (A2001ATM4AUSG) (ATV 400/500 CC MANUAL TRANSMISSION) Page 5 of 101
BODY PANEL ASSEMBLY

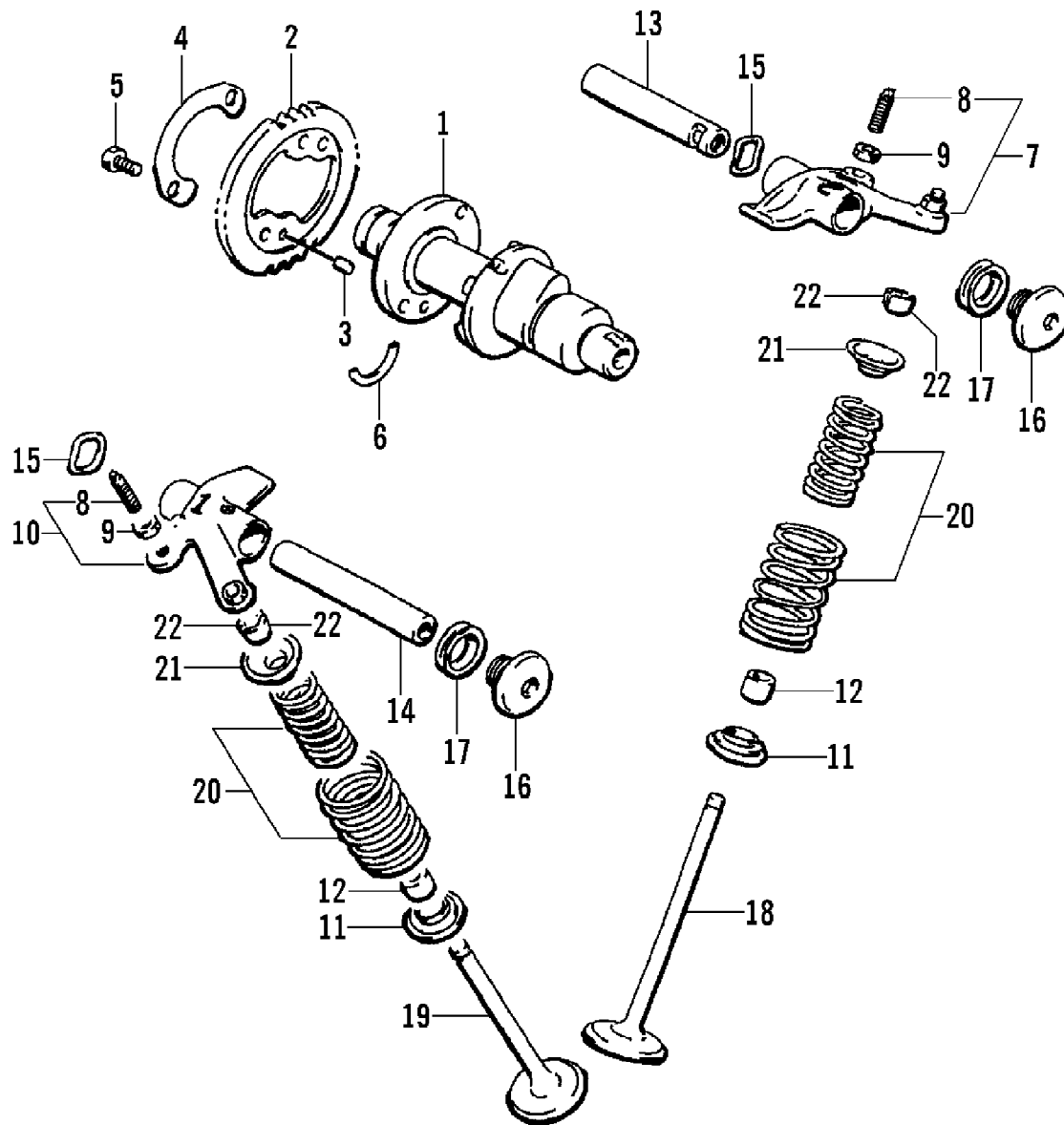
| Ref # | Part Number | Qty | S/P/F | Description |
|-------|-------------|-----|-------|------------------------------|
| 31 | 8477-616 | 4 | | Screw, Machine (2X4) |
| 32 | 0470-404 | 1 | | Grommet, Fuel Shut-Off Valve |
| 33 | 0423-168 | 8 | | Rivet, Plastic |



2001 500 GREEN (A2001ATM4AUSG) (ATV 400/500 CC MANUAL TRANSMISSION) Page 17 of 101
 CAM CHAIN ASSEMBLY

| Ref # | Part Number | Qty | S/P/F | Description |
|-------|-------------|-----|-------|--------------------------------|
| 1 | 3402-133 | 1 | | Chain, Cam (400) |
| 1 | 3402-353 | 1 | | Chain, Cam (500) |
| 2 | 3402-134 | 1 | | Guide, Chain (400) |
| 2 | 3402-355 | 1 | | Guide, Chain (500) |
| 3 | 3402-135 | 1 | | Tensioner, Chain (400) |
| 3 | 3402-356 | 1 | | Tensioner, Chain (500) |
| 4 | 3423-074 | 1 | | Screw, Cap |
| 5 | 3003-188 | 1 | S/P | Washer |
| 6 | 3402-136 | 1 | | Adjuster, Tensioner - Assembly |
| 7 | 3402-137 | 1 | | Gasket |
| 8 | 3004-475 | 2 | S | Screw, Cap |
| 9 | 3003-290 | 2 | /P | Gasket |

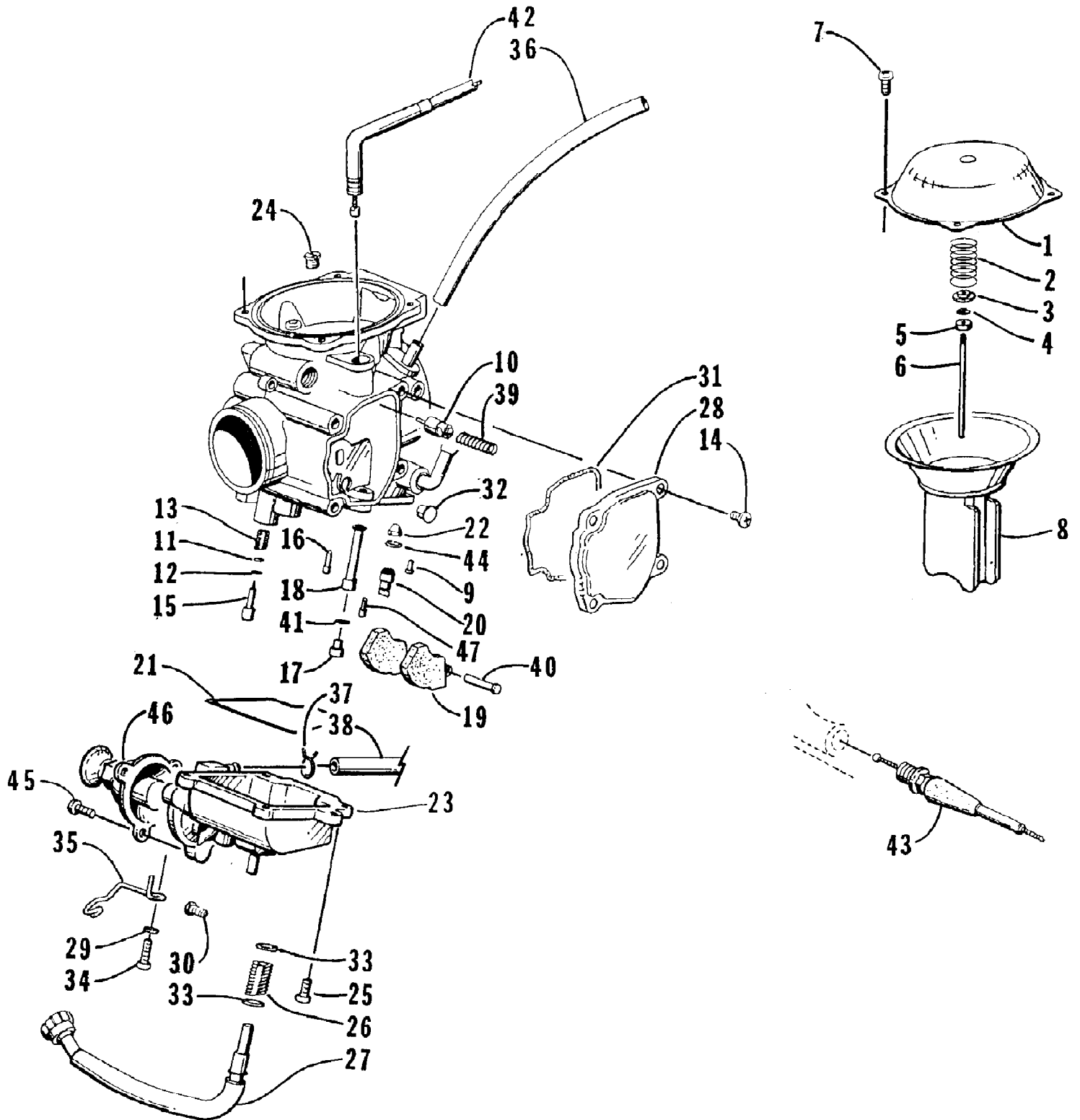
2001 500 GREEN (A2001ATM4AUSG) (ATV 400/500 CC MANUAL TRANSMISSION) 8 of 101
CAMSHAFT/VALVE ASSEMBLY



2001 500 GREEN (A2001ATM4AUSG) (ATV 400/500 CC MANUAL TRANSMISSION) of 101
CAMSHAFT/VALVE ASSEMBLY

| Ref # | Part Number | Qty | S/P/F | Description |
|-------|-------------|-----|-------|------------------------------|
| 1 | 3402-027 | 1 | S | Camshaft |
| 2 | 3402-131 | 1 | | Sprocket (400) |
| 2 | 3402-352 | 1 | | Sprocket (500) |
| 3 | 3423-047 | 1 | | Pin |
| 4 | 3423-073 | 1 | | Washer |
| 5 | 3423-013 | 2 | S | Screw, Cap |
| 6 | 3423-071 | 1 | /P | C-Ring |
| 7 | 3402-138 | 1 | S | Arm, Valve Rocker (inc. 8-9) |
| 8 | 3423-075 | 2 | | Screw, Cap |
| 9 | 3423-076 | 2 | | Nut |
| 10 | 3402-139 | 1 | | Arm, Valve Rocker (inc. 8-9) |
| 11 | 3402-148 | 4 | | Seat, Spring |
| 12 | 3402-078 | 4 | | Seal, Oil |
| 13 | 3402-140 | 1 | | Shaft, Rocker Arm |
| 14 | 3402-141 | 1 | | Shaft, Rocker Arm |
| 15 | 3423-031 | 2 | | Washer |
| 16 | 3402-040 | 2 | /P | Plug, Shaft |
| 17 | 3402-012 | 2 | | Gasket |
| 18 | 3402-142 | 2 | S | Valve, Intake |
| 19 | 3402-143 | 2 | | Valve, Exhaust |
| 20 | 3402-144 | 4 | | Spring, Valve - Set |
| 21 | 3402-146 | 4 | S | Retainer, Spring |
| 22 | 3402-147 | 8 | | Cotter, Valve |

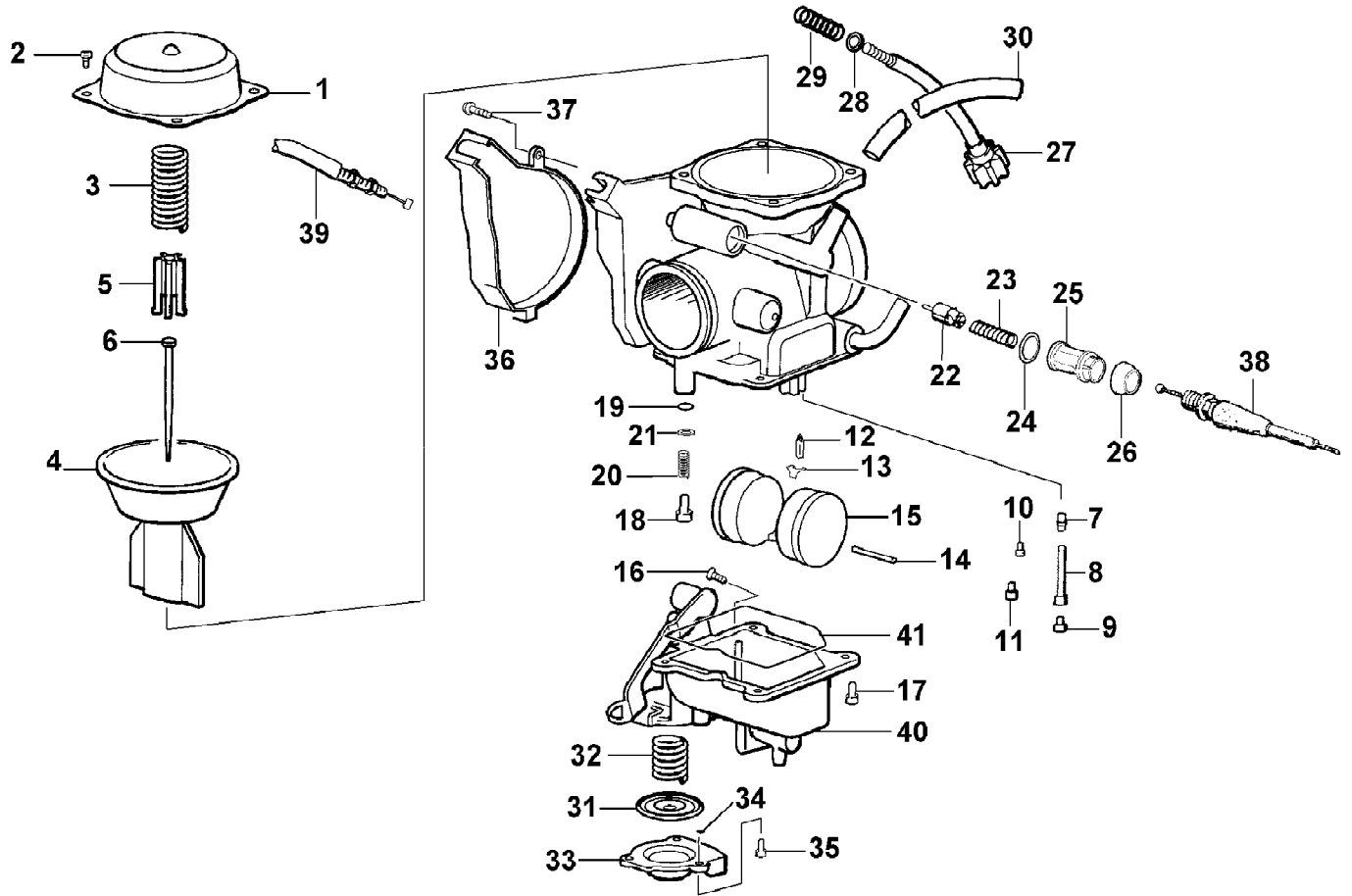
2001 500 GREEN (A2001ATM4AUSG) (ATV 400/500 CC MANUAL TRANSMISSION) of 101
CARBURETOR (400 cc)



2001 500 GREEN (A2001ATM4AUSG) (ATV 400/500 CC MANUAL TRANSMISSION) of 101
 CARBURETOR (400 cc)

| Ref # | Part Number | Qty | S/P/F | Description |
|-------|-------------|-----|-------|-------------------------------|
| 1 | 4505-001 | 1 | | Cover Assembly |
| 2 | 4505-002 | 1 | | Spring |
| 3 | 4505-003 | 1 | | Ring |
| 4 | 4505-004 | 1 | S | E-Clip |
| 5 | 4505-005 | 1 | | Ring |
| 6 | 4505-082 | 1 | | Jet Needle |
| 7 | 4505-007 | 4 | S | Screw |
| 8 | 4505-077 | 1 | | Diaphragm |
| 9 | 4505-009 | 1 | | Screw |
| 10 | 4505-078 | 1 | | Plunger Assembly |
| 11 | 4505-011 | 1 | /P | O-Ring |
| 12 | 4505-012 | 1 | | Washer |
| 13 | 4505-013 | 1 | | Spring |
| 14 | 4505-014 | 4 | | Screw |
| 15 | 4505-016 | 1 | /P | Screw, Pilot |
| 16 | 4505-059 | 1 | | Pilot Jet 45 |
| 17 | 4505-080 | 1 | | Main Jet 150 |
| 18 | 4505-006 | 1 | /P | Needle Jet P-7 |
| 19 | 4505-021 | 1 | | Float Assembly |
| 20 | 4505-022 | 1 | | Seat, Valve 2.0 (With Needle) |
| 20 | 4505-102 | 1 | F | Seat, Valve 2.3 (With Needle) |
| 21 | 4505-044 | 1 | | O-Ring, Float Chamber |
| 22 | 4505-045 | 1 | | Filter |
| 23 | 4505-049 | 1 | | Chamber, Float |
| 24 | 4505-086 | 1 | | Jet, Pilot Air |
| 25 | 4505-025 | 3 | | Screw |
| 26 | 4505-026 | 1 | | Spring |
| 27 | 4505-027 | 1 | | Cable, Adjuster - Assembly |
| 28 | 4505-028 | 1 | | Cover |
| 29 | 4505-029 | 1 | | Washer |
| 30 | 4505-030 | 1 | | Screw |
| 31 | 4505-031 | 1 | | O-Ring |
| 32 | 4505-032 | 1 | | Guide, Cable |
| 33 | 4505-033 | 2 | | Washer |
| 34 | 4505-042 | 1 | | Screw |
| 35 | 4505-034 | 1 | /P | Clip |
| 36 | 4505-035 | 2 | | Hose |
| 37 | 4505-053 | 2 | | Clip |
| 38 | 4505-052 | 1 | S | Hose |
| 39 | 4505-039 | 1 | /P | Spring |
| 40 | 6505-153 | 1 | | Pin, Float |
| 41 | 6505-006 | 1 | | Washer |
| 42 | 0487-001 | 1 | | Cable, Throttle |
| 43 | 0487-002 | 1 | | Cable, Choke |
| 44 | 6505-875 | 1 | /P | O-Ring |
| 45 | 4505-051 | 3 | | Screw, Cap |
| 46 | 4505-050 | 1 | | Cover, Primer - Assembly |
| 47 | 4505-107 | 1 | | Holder, Carburetor |

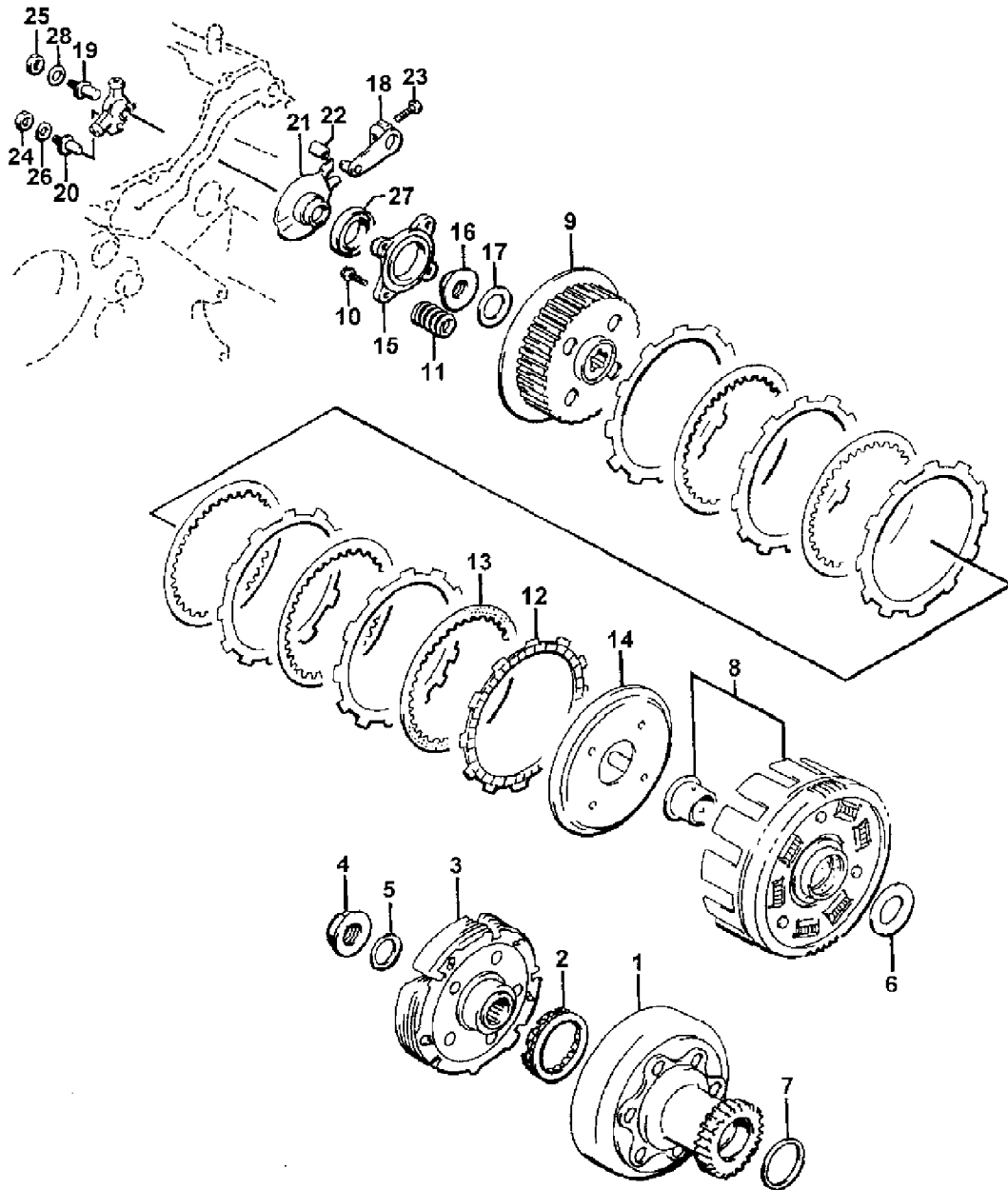
2001 500 GREEN (A2001ATM4AUSG) (ATV 400/500 CC MANUAL TRANSMISSION)
CARBURETOR (500 cc) Page 2 of 101



2001 500 GREEN (A2001ATM4AUSG) (ATV 400/500 CC MANUAL TRANSMISSION) of 101
 CARBURETOR (500 cc)

| Ref # | Part Number | Qty | S/P/F | Description |
|-------|-------------|-----|-------|--|
| 1 | 5507-001 | 1 | | Cover, Top |
| 2 | 5507-002 | 4 | /P | Screw, Top Cover |
| 3 | 5507-066 | 1 | /P | Spring |
| 4 | 5507-004 | 1 | /P | Piston, Vacuum |
| 5 | 5507-005 | 1 | | Spring, Seat |
| 6 | 5507-006 | 1 | | Jet Needle |
| 7 | 5507-007 | 1 | | Needle Jet |
| 8 | 5507-047 | 1 | /P | Holder, Needle Jet |
| 9 | 5507-042 | 1 | /P | Main Jet 145 |
| 9 | 5507-009 | 1 | /P/F | Main Jet 150 |
| 9 | 5507-041 | 1 | F | Main Jet 147 |
| 9 | 5507-043 | 1 | F | Main Jet 142 |
| 9 | 5507-044 | 1 | F | Main Jet 140 |
| 10 | 5507-010 | 1 | S | Slow Jet |
| 11 | 5507-011 | 1 | | Starter Jet - 102 |
| 12 | 5507-038 | 1 | | Valve, Float - Set (inc. 13) |
| 13 | | 1 | F | Clip |
| 14 | | 1 | F | Pin, Float |
| 15 | 5507-039 | 1 | | Float Set (inc. 14) |
| 16 | 5507-050 | 1 | /P | Screw, Drain |
| 17 | 5507-017 | 4 | /P | Screw |
| 18 | 5507-040 | 1 | | Screw, Pilot Air - Set (inc. 19-21) |
| 19 | | 1 | F | O-Ring |
| 20 | | 1 | F | Spring |
| 21 | | 1 | F | Washer |
| 22 | 5507-022 | 1 | | Valve, Starter |
| 23 | 5507-023 | 1 | | Spring |
| 24 | 5507-024 | 1 | | O-Ring |
| 25 | 5507-025 | 1 | | Cap |
| 26 | 5507-026 | 1 | | Cap, Rubber |
| 27 | 5507-027 | 1 | | Screw, Stop |
| 28 | 5507-028 | 1 | | Washer |
| 29 | 5507-029 | 1 | | Spring |
| 30 | 5507-030 | 1 | /P | Tube, Vinyl |
| 31 | 5507-031 | 1 | S | Diaphragm Assembly |
| 32 | 5507-032 | 1 | | Spring |
| 33 | | 1 | F | Housing, Pump |
| 34 | 5507-034 | 1 | | U-Ring |
| 35 | 5507-035 | 3 | | Screw |
| 36 | 5507-036 | 1 | | Cover |
| 37 | 5507-037 | 1 | /P | Screw |
| 38 | 0487-016 | 1 | | Cable, Choke |
| 39 | 0487-021 | 1 | S | Cable, Throttle |
| 40 | | 1 | F | Chamber, Float - Assembly (inc. 16, 31-35, and 41) |
| 41 | 5507-067 | 1 | /P | O-Ring, Float Chamber |

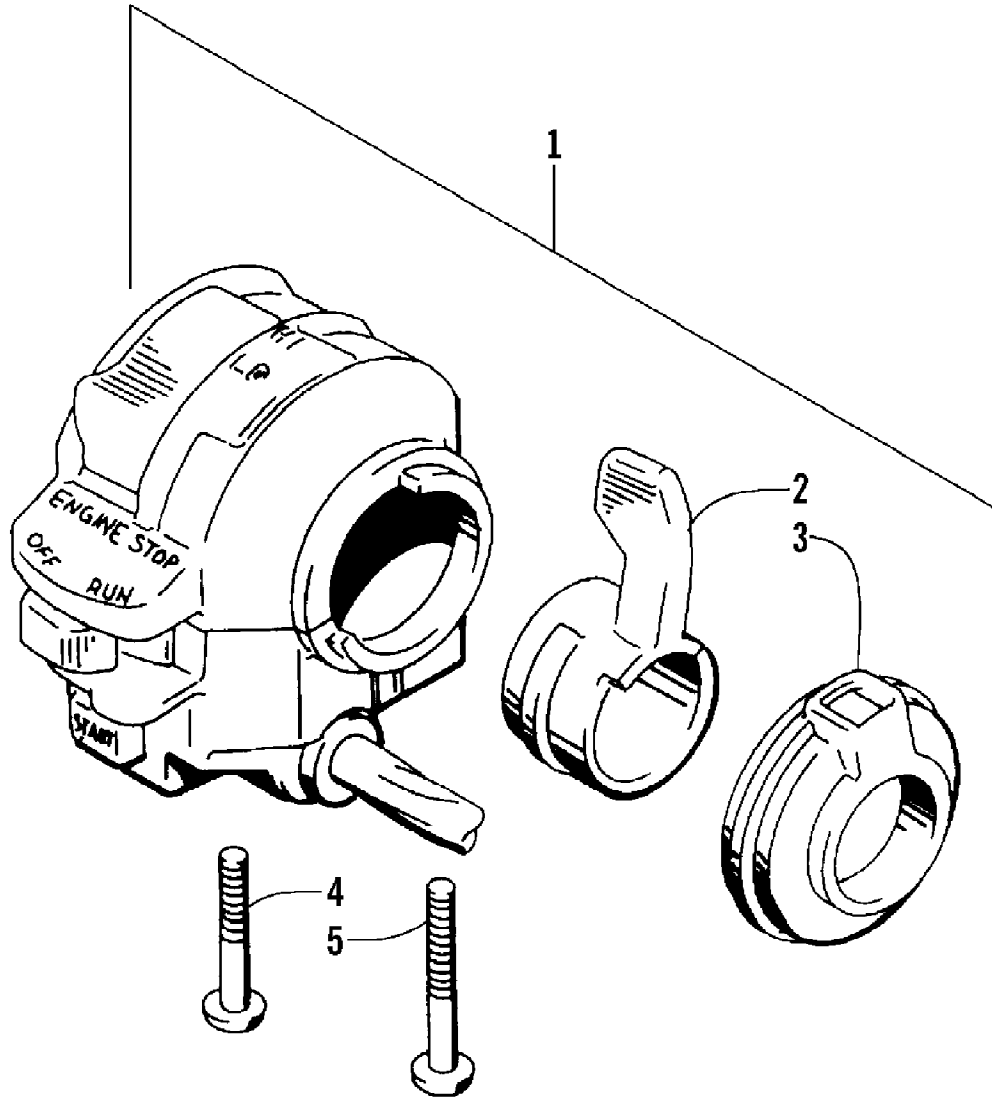
2001 500 GREEN (A2001ATM4AUSG) (ATV 400/500 CC MANUAL TRANSMISSION)
CLUTCH ASSEMBLY



2001 500 GREEN (A2001ATM4AUSG) (ATV 400/500 CC MANUAL TRANSMISSION)
CLUTCH ASSEMBLY Page 15 of 101

| Ref # | Part Number | Qty | S/P/F | Description |
|-------|-------------|-----|-------|--------------------------------------|
| 1 | 3446-001 | 1 | S | Housing, Starter Clutch (400) |
| 1 | 3446-232 | 1 | | Housing, Starter Clutch (500) |
| 2 | 3446-003 | 1 | | Clutch, Primary Drive One Way |
| 3 | 3446-227 | 1 | | Shoe, Starter Clutch (400) |
| 3 | 3446-233 | 1 | | Shoe, Starter Clutch (500) |
| 4 | 3423-081 | 1 | | Nut, Starter Clutch Shoe |
| 5 | 3423-032 | 1 | | Washer, Starter Clutch Shoe |
| 6 | 3423-122 | 1 | | Washer, Primary Driven |
| 7 | 3423-186 | 1 | | Washer, Primary Driven (400) |
| 7 | 3423-350 | 1 | | Washer, Primary Driven (500) |
| 8 | 3446-002 | 1 | | Gear, Primary Driven - Assembly |
| 9 | 3446-213 | 1 | | Hub, Clutch Sleeve (400) |
| 9 | 3446-004 | 1 | | Hub, Clutch Sleeve (500) |
| 10 | 3423-330 | 4 | | Screw, Cap - Clutch Spring |
| 11 | 3446-005 | 4 | | Spring, Clutch |
| 12 | 3446-006 | 5 | | Plate, Clutch Drive (400) |
| 12 | 3446-006 | 6 | | Plate, Clutch Drive (500) |
| 13 | 3446-226 | 4 | | Plate, Clutch Driven (400) |
| 13 | 3446-007 | 5 | | Plate, Clutch Driven (500) |
| 14 | 3446-008 | 1 | | Disc, Clutch Pressure |
| 15 | 3446-009 | 1 | | Plate, Clutch Release |
| 16 | 3423-080 | 1 | | Nut, Clutch Sleeve Hub |
| 17 | 3423-032 | 1 | | Washer, Sleeve Hub |
| 18 | 3446-011 | 1 | | Arm, Clutch Release |
| 19 | 3423-361 | 1 | | Bolt, Clutch Release (No. 1) (400) |
| 19 | 3423-333 | 1 | | Bolt, Clutch Release (No. 1) (500) |
| 20 | 3423-083 | 1 | | Bolt, Clutch (No. 2) |
| 21 | 3446-214 | 1 | | Guide, Release Roller |
| 22 | 3446-013 | 1 | S | Roller, Clutch Release - Assembly |
| 23 | 3423-125 | 1 | S | Bolt, Clutch Release Arm |
| 24 | 3008-014 | 1 | | Nut, Clutch Release (No. 2) |
| 25 | 3423-359 | 1 | | Nut, Clutch Release (No. 1) (400) |
| 25 | 3423-022 | 1 | | Nut, Clutch Release (No. 1) (500) |
| 26 | 3423-027 | 1 | | Washer, Clutch (No. 2) |
| 27 | 3402-186 | 1 | /P | Bearing, Clutch |
| 28 | 3423-360 | 1 | | Washer, Clutch Release (No. 1) (400) |
| 28 | 3423-204 | 1 | /P | Washer, Clutch Release (No. 1) (500) |

2001 500 GREEN (A2001ATM4AUSG) (ATV 400/500 CC MANUAL TRANSMISSION)
CONTROL SWITCH HOUSING ASSEMBLY



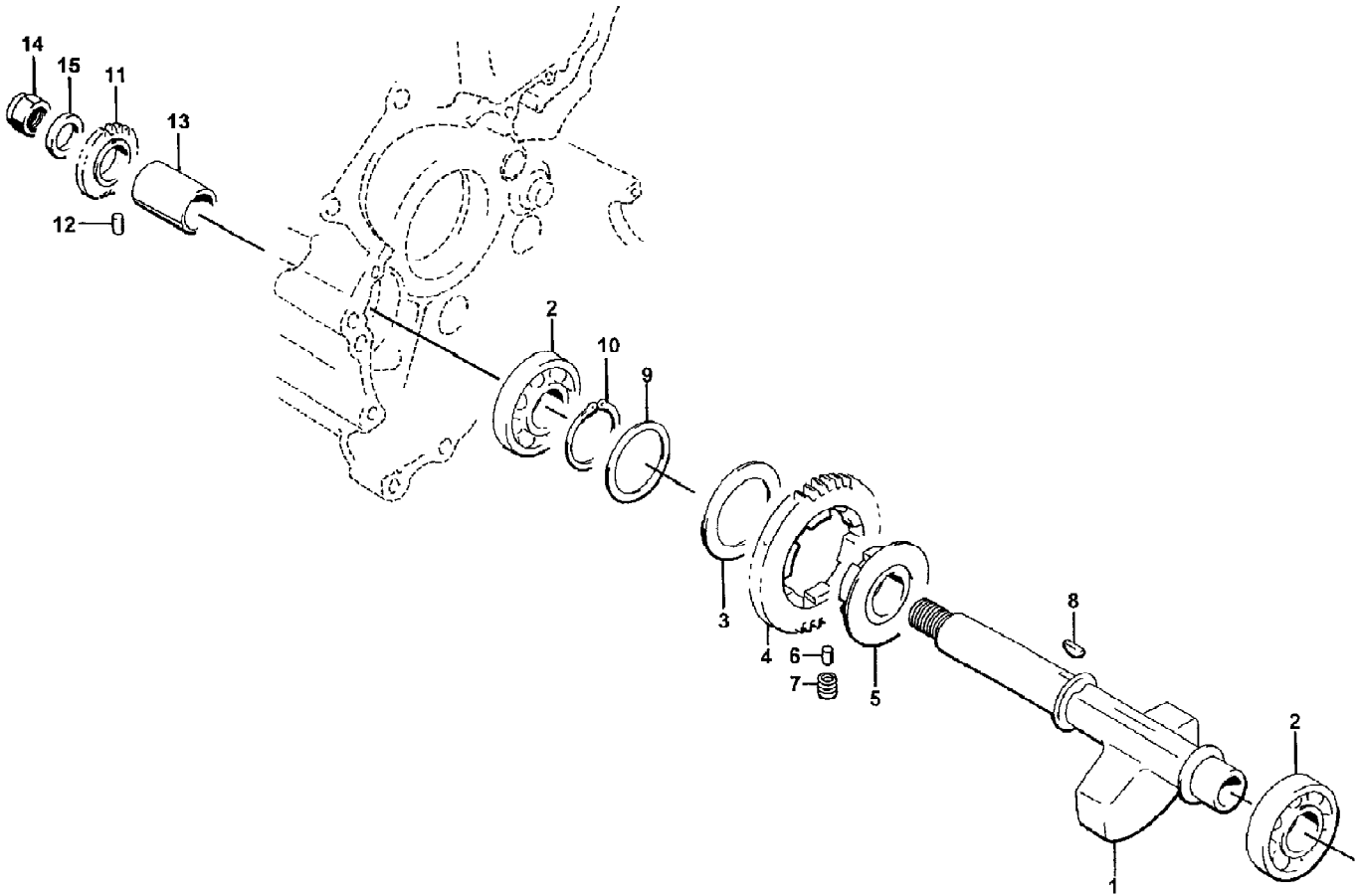
2001 500 GREEN (A2001ATM4AUSG) (ATV 400/500 CC MANUAL TRANSMISSION)
CONTROL SWITCH HOUSING ASSEMBLY Page 17 of 101

| Ref # | Part Number | Qty | S/P/F | Description |
|-------|-------------|-----|-------|---|
| 1 | 3509-001 | 1 | S | Switch, Handlebar Control - Assembly (inc. 2-5) |
| 2 | 3409-009 | 1 | | Lever, Choke |
| 3 | 3409-010 | 1 | | Cover, Choke |
| 4 | 3423-196 | 1 | | Screw, Cap |
| 5 | 3423-197 | 1 | | Screw, Cap |

2001 500 GREEN (A2001ATM4AUSG) (ATV 400/500 CC MANUAL TRANSMISSION) of 101
 COOLING ASSEMBLY

| Ref # | Part Number | Qty | S/P/F | Description |
|-------|-------------|-----|-------|--|
| 1 | 0413-007 | 1 | | Screen, Radiator |
| 2 | 0423-174 | 2 | | Clamp, Wire |
| 3 | 8476-620 | 2 | | Screw, Cap |
| 4 | 0423-030 | 2 | | Grommet |
| 5 | 0423-036 | 2 | | Collar |
| 6 | 0610-016 | AR | /P | Hose - 25 ft |
| 7 | 0413-002 | 1 | S | Cap, Radiator |
| 8 | 0413-014 | 1 | | Radiator Assembly (inc. 1, 4, 7, 10, and 21) |
| 9 | 0623-736 | 1 | | Clamp, Hose |
| 10 | 0 | 1 | F | Radiator |
| 11 | 0423-070 | 5 | | Clamp, Hose |
| 12 | 0410-002 | 1 | | Hose, Coolant - Upper |
| 13 | 0413-006 | 1 | | Blade, Fan |
| 14 | 0413-004 | 1 | | Motor, Fan |
| 15 | 8474-516 | 3 | | Screw, Machine |
| 16 | 0410-001 | 1 | | Hose, Coolant - Lower |
| 17 | 0410-003 | 1 | | Hose, Coolant - Crossover |
| 18 | 0423-101 | 4 | | Screw, Body |
| 19 | 0623-184 | 2 | | Washer |
| 20 | 0406-200 | 2 | | Panel, Fender - Inner (400 4X4) |
| 21 | 0413-009 | 4 | | Screw, Thumb |
| 22 | 0423-031 | 4 | | Nut, Speed |
| 23 | 0423-056 | 1 | | Nut - Left |
| 24 | 8050-252 | 1 | | Washer |
| 25 | 0423-028 | 2 | | Bushing, Stem |
| 26 | 8477-616 | 4 | | Screw, Machine |
| 27 | 0123-788 | 8 | /P | Cable Tie - 7 in. |
| 28 | 0406-543 | 2 | | Shroud, Fan (400 2X4 /500) |
| 29 | 0406-300 | 2 | | Panel, Fender - Inner (400 2X4 /500) |
| 30 | 8424-602 | 2 | /P | Nut, Flange |

2001 500 GREEN (A2001ATM4AUSG) (ATV 400/500 CC MANUAL TRANSMISSION) of 101
CRANK BALANCER ASSEMBLY

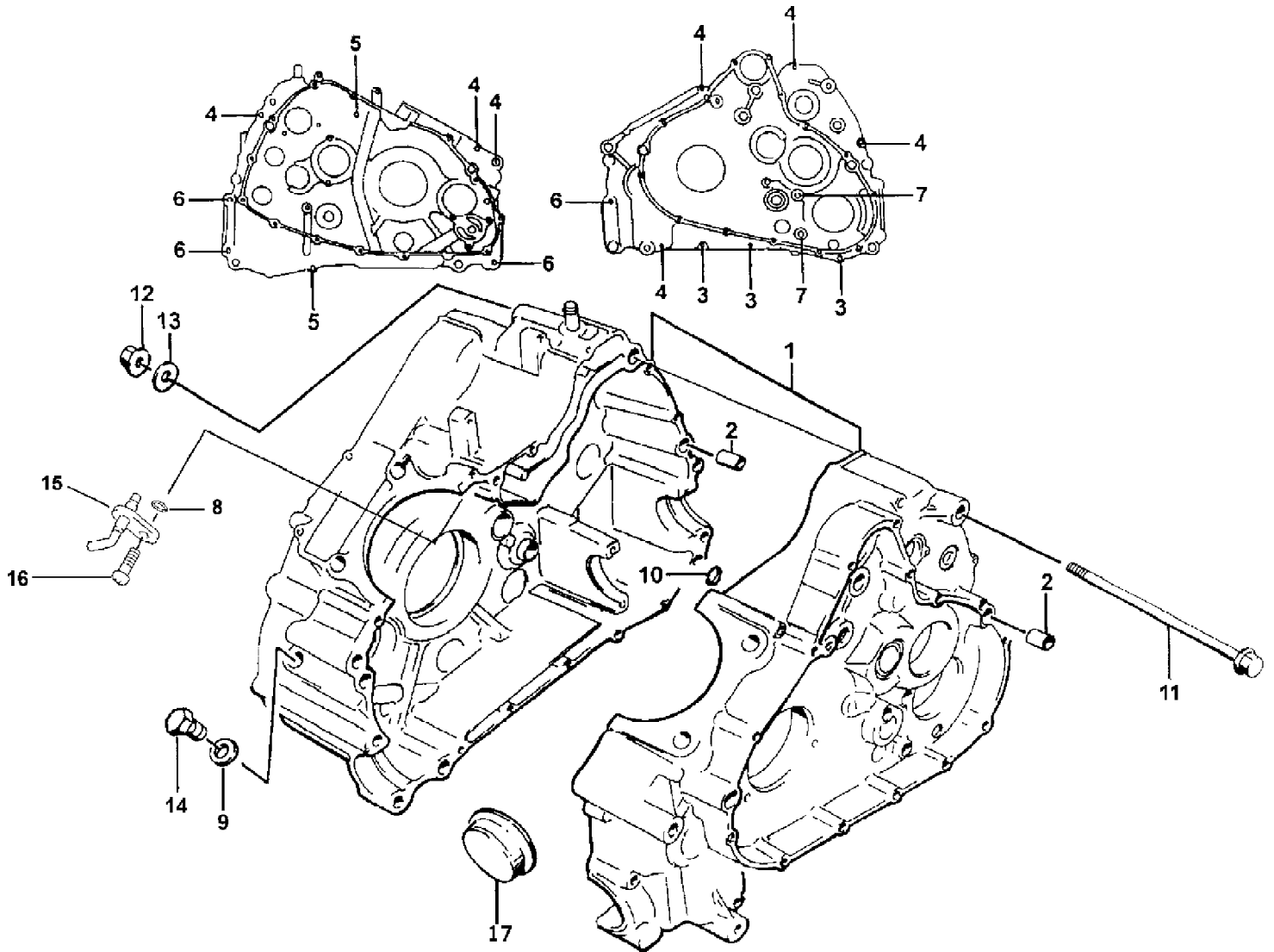


2001 500 GREEN (A2001ATM4AUSG) (ATV 400/500 CC MANUAL TRANSMISSION)
 CRANK BALANCER ASSEMBLY

Page 21 of 101

| Ref # | Part Number | Qty | S/P/F | Description |
|-------|-------------|-----|-------|----------------------------|
| 1 | 3402-345 | 1 | | Balancer, Crank (400) |
| 1 | 3402-350 | 1 | | Balancer, Crank (500) |
| 2 | 3402-050 | 2 | | Bearing |
| 3 | 3423-033 | 1 | | Washer |
| 4 | 3402-128 | 1 | | Gear, Driven (400) |
| 4 | 3402-351 | 1 | | Gear, Driven (500) |
| 5 | 3402-129 | 1 | | Race, Driven Gear - Inner |
| 6 | 3423-106 | 3 | /P | Pin |
| 7 | 3402-090 | 6 | | Spring |
| 8 | 3004-540 | 1 | /P | Key |
| 9 | 3423-107 | 1 | | Washer |
| 10 | 3423-200 | 1 | /P | Circlip |
| 11 | 3402-390 | 1 | | Gear, Oil Pump Drive (400) |
| 11 | 3402-150 | 1 | | Gear, Oil Pump Drive (500) |
| 12 | 3423-114 | 1 | /P | Pin |
| 13 | 3402-151 | 1 | | Spacer |
| 14 | 3423-025 | 1 | | Nut, Lock |
| 15 | 3423-029 | 1 | | Washer |

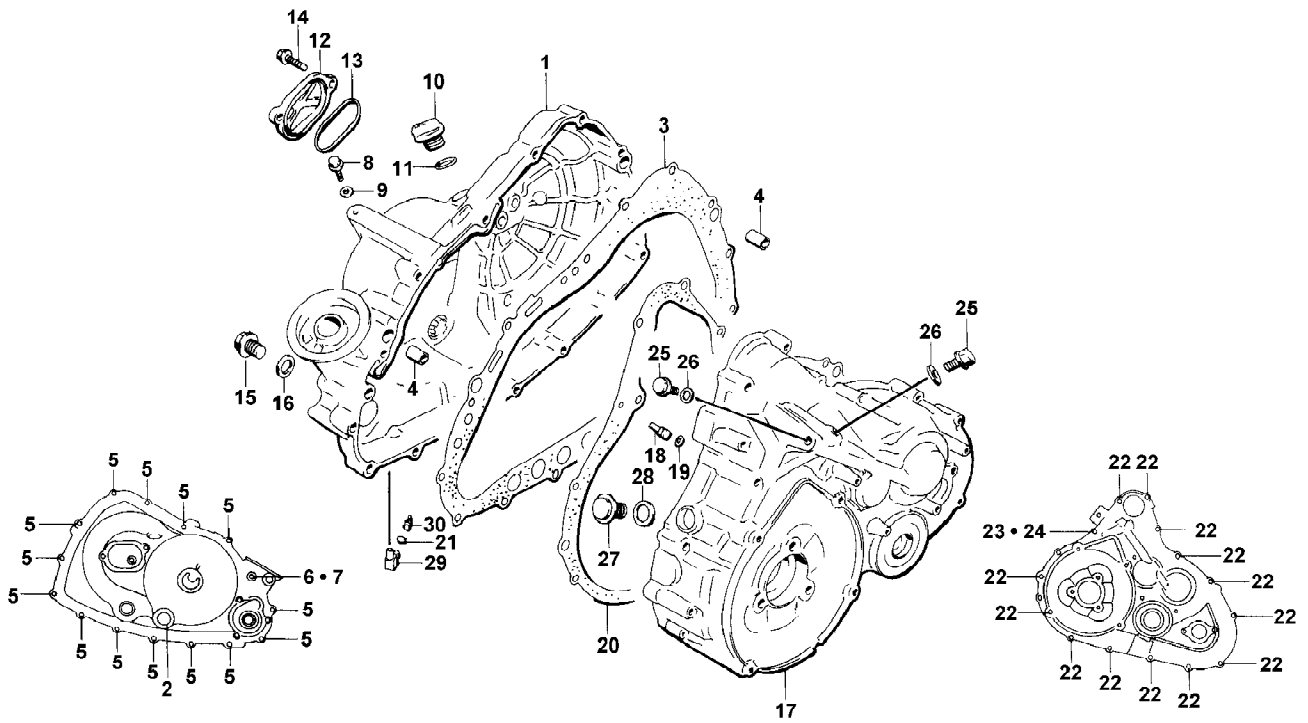
2001 500 GREEN (A2001ATM4AUSG) (ATV 400/500 CC MANUAL TRANSMISSION)
CRANKCASE ASSEMBLY



2001 500 GREEN (A2001ATM4AUSG) (ATV 400/500 CC MANUAL TRANSMISSION)
 CRANKCASE ASSEMBLY Page 23 of 101

| Ref # | Part Number | Qty | S/P/F | Description |
|-------|-------------|-----|-------|--|
| 1 | 3402-337 | 1 | | Crankcase Set (inc. 2-7 and 17) (400 2X4) |
| 1 | 3402-388 | 1 | /P | Crankcase Set (inc. 2-7) (400 4X4) |
| 1 | 3402-366 | 1 | S | Crankcase Set (inc. 2-8, 10, 15, and 16) (500) |
| 2 | 3423-088 | 4 | | Pin, Dowel |
| 3 | 3423-091 | 3 | S | Screw, Cap |
| 4 | 3423-092 | 7 | S | Screw, Cap |
| 5 | 3423-094 | 2 | | Screw, Cap |
| 6 | 0693-303 | 4 | S | Screw, Cap |
| 7 | 3423-093 | 2 | | Screw, Cap |
| 8 | 3423-051 | 1 | | O-Ring (400 4X4 and 500) |
| 9 | 3402-011 | 1 | | Gasket |
| 10 | 3423-052 | 1 | | O-Ring (500) |
| 11 | 3423-009 | 3 | /P | Screw, Cap |
| 12 | 3423-024 | 3 | | Nut |
| 13 | 3004-278 | 3 | S/P | Washer |
| 14 | 3423-095 | 1 | | Plug, Oil Gallery |
| 15 | 3402-369 | 1 | | Jet, Piston Cooling (500) |
| 16 | 3004-552 | 1 | S | Screw (500) |
| 17 | 3423-208 | 1 | | Plug, (400 2X4) |

2001 500 GREEN (A2001ATM4AUSG) (ATV 400/500 CC MANUAL TRANSMISSION)
CRANKCASE COVER ASSEMBLY

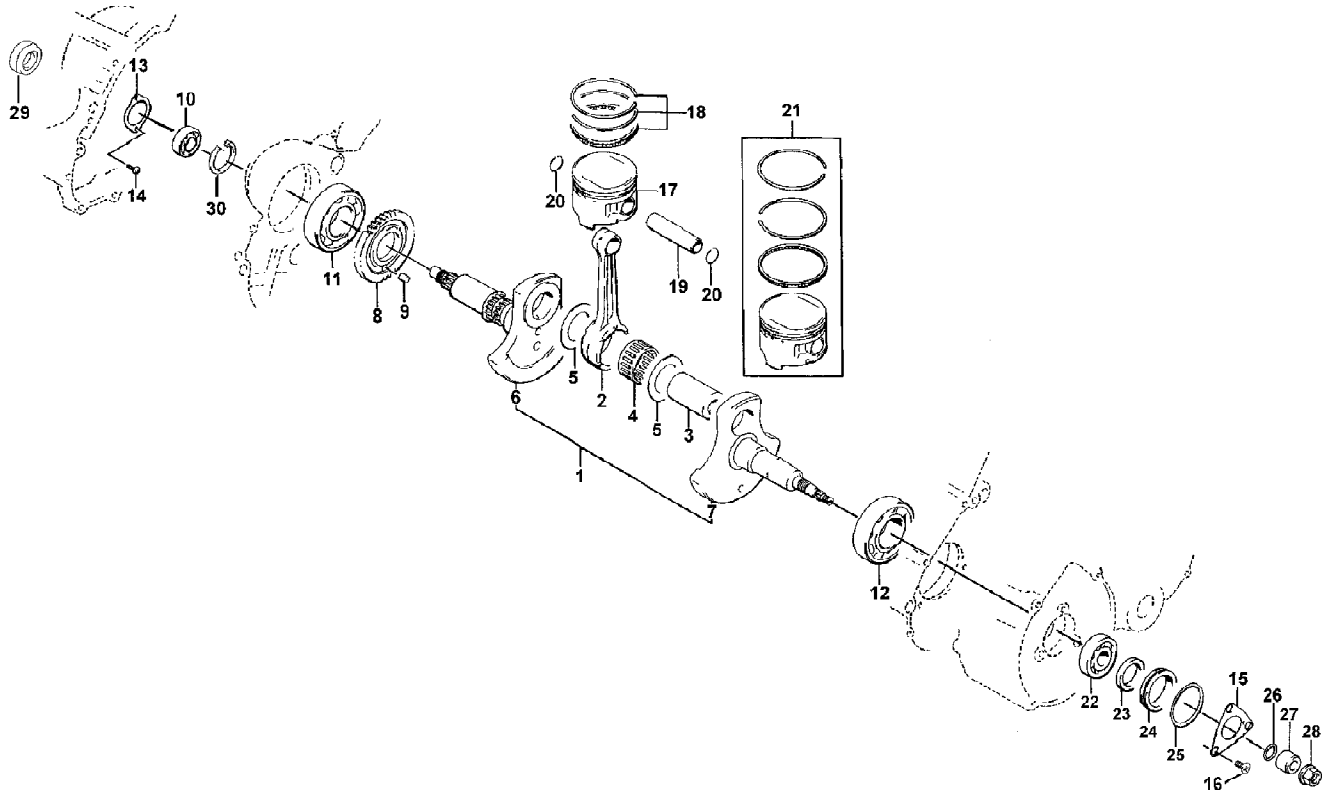


2001 500 GREEN (A2001ATM4AUSG) (ATV 400/500 CC MANUAL TRANSMISSION)
CRANKCASE COVER ASSEMBLY

Page 25 of 101

| Ref # | Part Number | Qty | S/P/F | Description |
|-------|-------------|-----|-------|--|
| 1 | 3402-199 | 1 | /P | Cover, Clutch (inc. 2) (400) |
| 1 | 3402-367 | 1 | | Cover, Clutch (inc. 2) (500) |
| 2 | 3402-112 | 1 | /P | Lens, Oil Inspection |
| 3 | 3402-108 | 1 | | Gasket |
| 4 | 3423-088 | 4 | | Pin, Dowel |
| 5 | 0693-327 | 14 | S | Screw, Cap |
| 6 | 3423-097 | 1 | | Screw, Cap |
| 7 | 3003-290 | 1 | /P | Gasket |
| 8 | 3004-339 | 1 | S/P | Plug, Oil Gallery |
| 9 | 3003-290 | 1 | /P | Gasket |
| 10 | 3402-042 | 1 | | Cap, Engine Oil Filler |
| 11 | 3423-055 | 1 | | O-Ring |
| 12 | 3402-100 | 1 | | Cap, Inspection (400) |
| 12 | 3402-363 | 1 | | Cap, Inspection (500) |
| 13 | 3402-101 | 1 | | O-Ring |
| 14 | 3423-096 | 2 | S | Screw, Cap |
| 15 | 3402-037 | 1 | | Plug, Oil Pressure (400) |
| 15 | 3402-214 | 1 | | Plug, Oil Pressure (500) |
| 16 | 3402-012 | 1 | | Gasket |
| 17 | 3402-106 | 1 | | Cover Set, Transfer (inc. 18-19) (400) |
| 17 | 3402-368 | 1 | | Cover Set, Transfer (inc. 18-19) (500) |
| 18 | 3402-097 | 1 | | Jet, Oil Mission |
| 19 | 3423-051 | 1 | | O-Ring |
| 20 | 3402-109 | 1 | S | Gasket |
| 21 | 3423-120 | 1 | | Clip |
| 22 | 3423-098 | 13 | S | Screw, Cap |
| 23 | 3423-092 | 1 | S | Screw, Cap |
| 24 | 3003-290 | 1 | /P | Gasket |
| 25 | 3004-705 | 2 | S | Plug, Oil Gallery (400) |
| 25 | 3423-348 | 2 | | Plug, Oil Gallery (500) |
| 26 | 3005-242 | 2 | | Gasket |
| 27 | 3402-041 | 1 | S | Plug, Allen-Head |
| 28 | 3402-013 | 1 | /P | Gasket |
| 29 | 3413-009 | 1 | | Union, Water Drain |
| 30 | 3413-008 | 1 | | Hose |

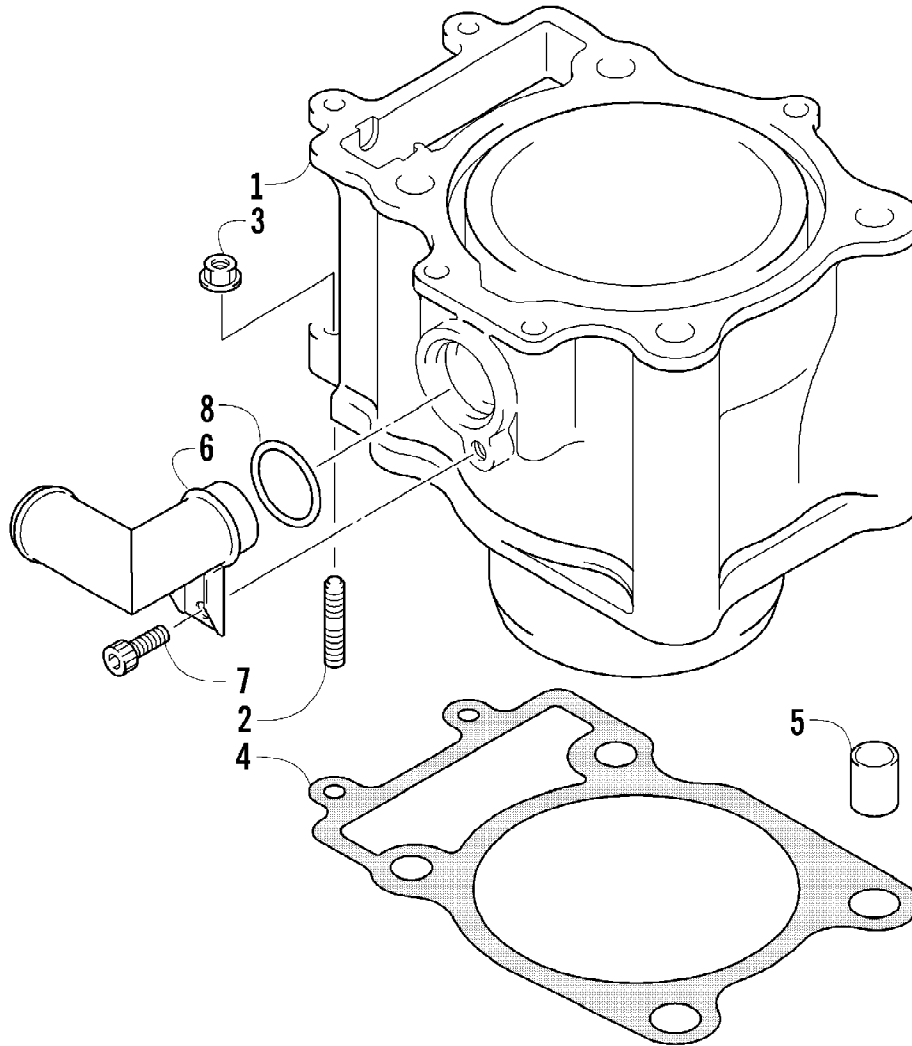
2001 500 GREEN (A2001ATM4AUSG) (ATV 400/500 CC MANUAL TRANSMISSION)
CRANKSHAFT ASSEMBLY



2001 500 GREEN (A2001ATM4AUSG) (ATV 400/500 CC MANUAL TRANSMISSION)
CRANKSHAFT ASSEMBLY

Page 27 of 101

| Ref # | Part Number | Qty | S/P/F | Description |
|-------|-------------|-----|-------|---|
| 1 | 3402-339 | 1 | | Crankshaft Assembly (inc. 2-9) (400) |
| 1 | 3402-372 | 1 | | Crankshaft Assembly (inc. 2-9) (500) |
| 2 | 3402-341 | 1 | | Rod, Connecting (400) |
| 2 | 3402-376 | 1 | | Rod, Connecting (500) |
| 3 | 3402-116 | 1 | | Pin, Crank (400) |
| 3 | 3402-377 | 1 | | Pin, Crank (500) |
| 4 | 3402-064 | 1 | | Bearing (400) |
| 4 | 3402-386 | 1 | S | Bearing (500) |
| 5 | 3423-030 | 2 | | Washer (400) |
| 5 | 3423-351 | 2 | | Washer (500) |
| 6 | 3402-342 | 1 | | Crankshaft Set - Right (inc. 8-9) (400) |
| 6 | 3402-378 | 1 | | Crankshaft Set - Right (inc. 8-9) (500) |
| 7 | 3402-343 | 1 | | Crankshaft - Left (400) |
| 7 | 3402-379 | 1 | | Crankshaft - Left (500) |
| 8 | 0 | 1 | F | Gear, Balancer Drive |
| 9 | 0 | 1 | F | Pin |
| 10 | 3402-044 | 1 | | Bearing - Right (400) |
| 10 | 3402-384 | 1 | | Bearing - Right (500) |
| 11 | 3402-058 | 1 | | Bearing - Center |
| 12 | 3402-054 | 1 | | Bearing - Left |
| 13 | 3402-120 | 1 | | Retainer, Bearing - Right (400) |
| 13 | 3423-355 | 1 | | Retainer, Bearing - Right (500) |
| 14 | 3423-017 | 2 | | Screw, Cap (400) |
| 15 | 3402-188 | 1 | /P | Retainer, Oil Seal - Left |
| 16 | 3423-018 | 3 | | Screw, Cap |
| 17 | 3402-340 | 1 | | Piston (400) |
| 17 | 3402-373 | 1 | | Piston (500) |
| 18 | 3402-114 | 1 | | Ring Set, Piston (400) |
| 18 | 3436-009 | 1 | /P | Ring Set, Piston (Oversized 0.50 mm) (400) |
| 18 | 3436-010 | 1 | /P | Ring Set, Piston (Oversized 1.00 mm) (400) |
| 18 | 3402-374 | 1 | | Ring Set, Piston (500) |
| 19 | 3402-110 | 1 | | Pin (400) |
| 19 | 3402-375 | 1 | | Pin (500) |
| 20 | 3423-069 | 2 | | Circlip (400) |
| 20 | 3423-344 | 2 | | Circlip (500) |
| 21 | 3402-430 | 1 | | Piston Assembly (inc. 17, 18, and 20) (400) |
| 21 | 3402-346 | 1 | | Piston Set (Oversized 0.50 mm) (400) |
| 21 | 3402-347 | 1 | | Piston Set (Oversized 1.00 mm) (400) |
| 21 | 3402-431 | 1 | | Piston Assembly (inc. 17, 18, and 20) (500) |
| 22 | 3402-051 | 1 | | Bearing |
| 23 | 3402-070 | 1 | | Seal, Oil |
| 24 | 3402-119 | 1 | S | Spacer |
| 25 | 3423-063 | 1 | | O-Ring |
| 26 | 3423-053 | 1 | /P | O-Ring |
| 27 | 3402-348 | 1 | | Spacer, Bearing - Left |
| 28 | 3004-491 | 1 | S/P | Nut |
| 29 | 3402-387 | 1 | | Seal, Oil |
| 30 | 3423-355 | 1 | | Circlip |

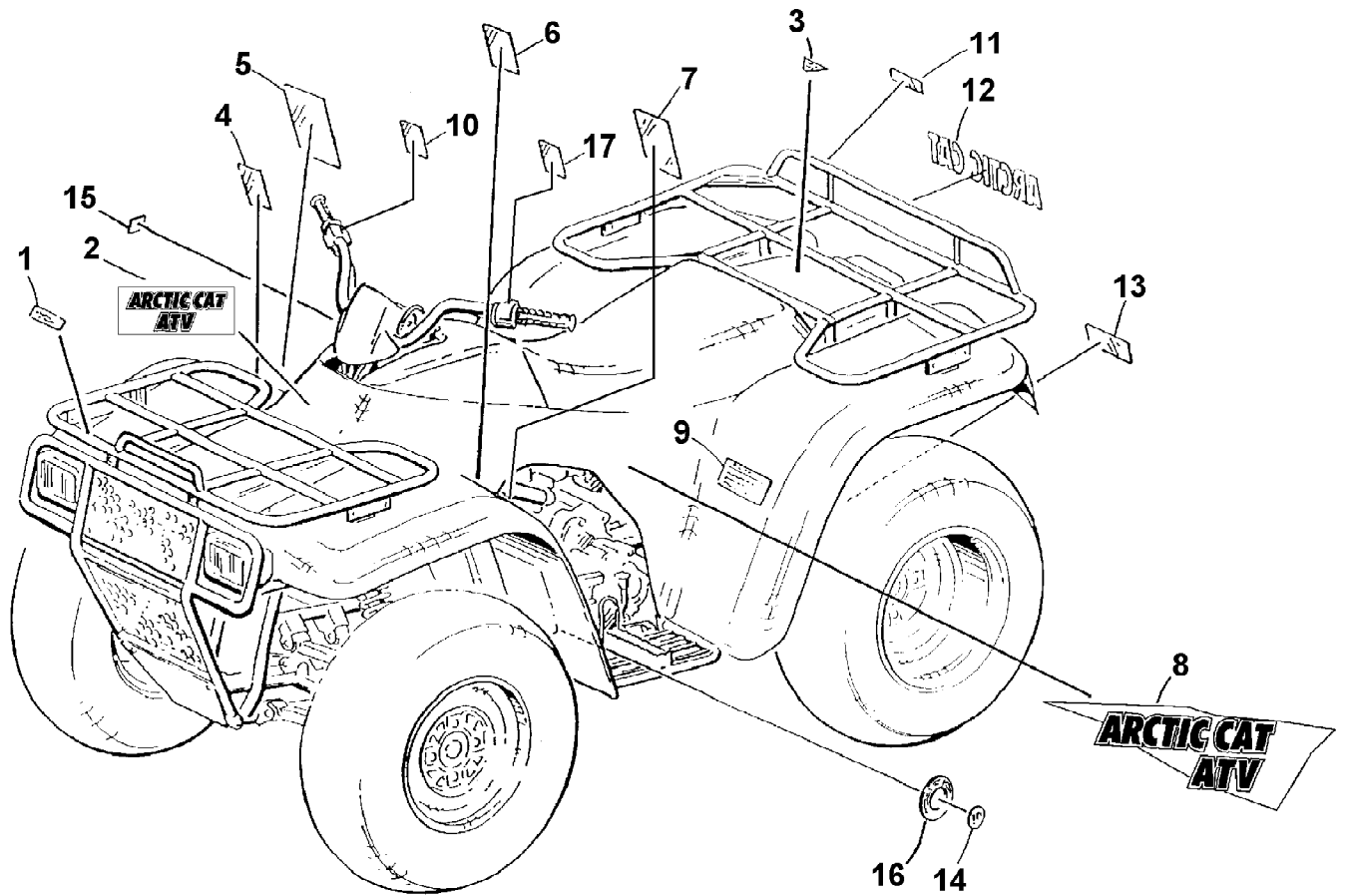


2001 500 GREEN (A2001ATM4AUSG) (ATV 400/500 CC MANUAL TRANSMISSION)
CYLINDER ASSEMBLY Page 29 of 101

| Ref # | Part Number | Qty | S/P/F | Description |
|-------|-------------|-----|-------|------------------------|
| 1 | 3402-102 | 1 | | Cylinder (400) |
| 1 | 3402-364 | 1 | | Cylinder (500) |
| 2 | 3423-090 | 2 | | Bolt, Stud |
| 3 | 3004-488 | 2 | S/P | Nut |
| 4 | 3402-103 | 1 | S | Gasket, Cylinder (400) |
| 4 | 3402-365 | 1 | /P | Gasket, Cylinder (500) |
| 5 | 3423-088 | 2 | | Pin, Dowel |
| 6 | 3413-006 | 1 | | Union, Water Hose |
| 7 | 3423-121 | 1 | S | Screw, Cap |
| 8 | 3423-058 | 1 | | O-Ring |

2001 500 GREEN (A2001ATM4AUSG) (ATV 400/500 CC MANUAL TRANSMISSION)
 CYLINDER HEAD ASSEMBLY Page 1 of 101

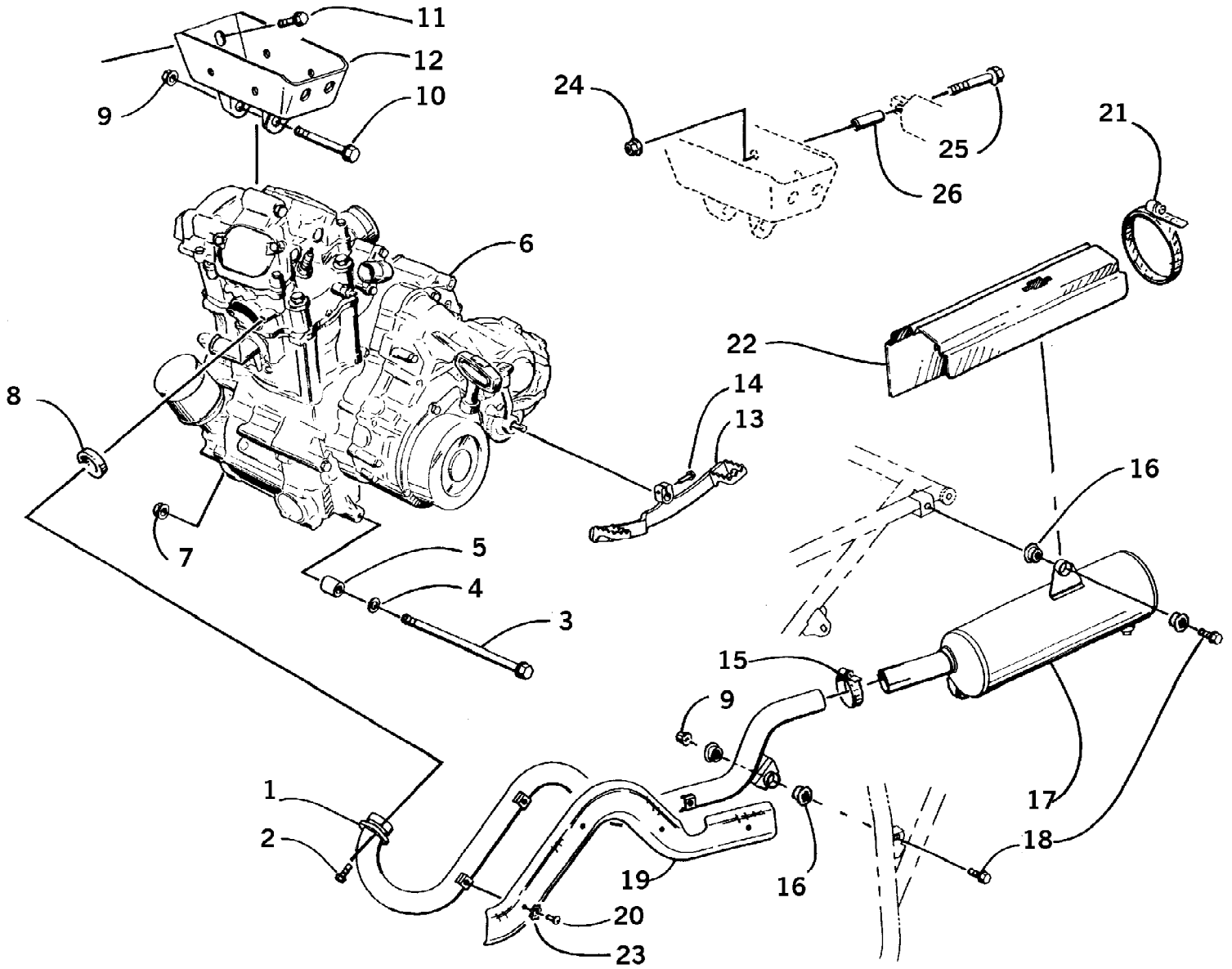
| Ref # | Part Number | Qty | S/P/F | Description |
|-------|-------------|-----|-------|---|
| | 3402-107 | 1 | S | Complete Gasket Set - 400 cc; 3402-370 500 cc |
| 1 | 3402-098 | 1 | | Head, Cylinder - Assembly (inc. 2-6) (400) |
| 1 | 3402-361 | 1 | | Head, Cylinder - Assembly (inc. 2-6) (500) |
| 2 | 3402-099 | 4 | | Guide, Valve |
| 3 | 3423-068 | 4 | | Circlip |
| 4 | 3423-043 | 2 | /P | Pin, Dowel |
| 5 | 3423-006 | 4 | | Screw, Cap |
| 6 | 3008-376 | 2 | S | Screw, Cap |
| 7 | 3402-163 | 1 | | Gasket, Cylinder Head (400) |
| 7 | 3402-362 | 1 | | Gasket, Cylinder Head (500) |
| 8 | 3423-088 | 2 | | Pin, Dowel |
| 9 | 3423-015 | 2 | | Screw, Cap |
| 10 | 3423-016 | 2 | | Screw, Cap |
| 11 | 3423-089 | 2 | S | Bolt, Stud |
| 12 | 3423-087 | 2 | S | Bolt, Stud |
| 13 | 3423-203 | 1 | S/P | Bolt, Stud |
| 14 | 3423-007 | 2 | S | Screw, Cap |
| 15 | 3004-376 | 4 | S/P | Screw, Cap |
| 16 | 3004-488 | 4 | S/P | Nut |
| 17 | 3004-326 | 1 | S/P | Nut |
| 18 | 3003-290 | 4 | /P | Gasket |
| 19 | 3402-010 | 4 | | Gasket, Head Nut |
| 20 | 0217-632 | 1 | | Spark Plug (NGKCR6E) |
| 21 | 3402-100 | 2 | | Cap, Inspection |
| 22 | 3402-101 | 2 | | O-Ring |
| 23 | 3004-341 | 4 | S/P | Screw, Cap |
| 24 | 3402-035 | 1 | | Plug, Cylinder Head |
| 25 | 3402-149 | 1 | | Pipe, Intake - Assembly (inc. 26) (400) |
| 25 | 3402-357 | 1 | | Pipe, Intake - Assembly (500) |
| 25 | 3402-358 | 1 | | Pipe, Intake - Assembly (500) |
| 26 | 3423-332 | 1 | /P | O-Ring (400) |
| 26 | 3423-353 | 1 | /P | O-Ring (500) |
| 27 | 3423-019 | 2 | | Screw, Cap (400) |
| 27 | 3423-347 | 2 | | Screw, Cap (500) |
| 28 | 3402-086 | 2 | /P | Clamp |
| 29 | 3004-341 | 2 | S/P | Screw, Cap (400) |
| 29 | 3004-341 | 1 | S/P | Screw, Cap (500) |
| 30 | 3413-005 | 1 | S | Thermostat (400) |
| 30 | 3413-012 | 1 | | Thermostat (500) |
| 31 | 3430-038 | 1 | S | Switch, Water Temperature - Assembly (400) |
| 31 | 3530-005 | 1 | | Switch, Water Temperature - Assembly (500) |
| 32 | 3413-004 | 1 | | Cover, Thermostat |
| 33 | 3423-354 | 1 | | Stud, Thermostat Cover (500) |
| 34 | 3423-349 | 1 | | Nut (500) |
| 35 | 0470-412 | 1 | | Tube, Intake |
| 36 | 3402-048 | 1 | F | Plug, Frost |



2001 500 GREEN (A2001ATM4AUSG) (ATV 400/500 CC MANUAL TRANSMISSION)
 DECALS Page 3 of 101

| Ref # | Part Number | Qty | S/P/F | Description |
|-------|-------------|-----|-------|--|
| 1 | 0411-098 | 1 | | Decal, Warning - Front Rack Load (2X4) |
| 1 | 0411-006 | 1 | | Decal, Warning - Front Rack Load (4X4) |
| 2 | 0411-299 | 1 | | Decal, Front (2X4) (Red) |
| 2 | 0411-298 | 1 | | Decal, Front (2X4) (Green) |
| 2 | 0411-301 | 1 | | Decal, Front (4X4) (Red) |
| 2 | 0411-300 | 1 | | Decal, Front (4X4) (Green) |
| 3 | 3611-002 | 1 | | Decal, "Made In U.S.A." |
| 4 | 0411-045 | 1 | | Decal, Warning - Turn |
| 5 | 0411-008 | 1 | /P | Decal, Warning Reverse/Pre-Ride |
| 6 | 0411-040 | 1 | | Decal, Warning - Age |
| 7 | 0411-218 | 1 | | Decal, Warning - General |
| 8 | 0411-314 | 1 | | Decal, "400" - Right Side (Red) |
| 8 | 0411-315 | 1 | | Decal, "400" - Left Side (Red) |
| 8 | 0411-312 | 1 | | Decal, "400" - Right Side (Green) |
| 8 | 0411-313 | 1 | | Decal, "400" - Left Side (Green) |
| 8 | 0411-318 | 1 | | Decal, "500" - Right Side (Red) |
| 8 | 0411-319 | 1 | | Decal, "500" - Left Side (Red) |
| 8 | 0411-316 | 1 | | Decal, "500" - Right Side (Green) |
| 8 | 0411-317 | 1 | | Decal, "500" - Left Side (Green) |
| 9 | 0411-226 | 1 | | Decal, Warning - Tire Pressure (400 2X4) |
| 9 | 0411-227 | 1 | | Decal, Warning - Tire Pressure (400 4X4) |
| 9 | 0411-228 | 1 | | Decal, Warning - Tire Pressure (500) |
| 10 | 0411-324 | 1 | | Decal, Instruction - Start in Gear |
| 11 | 0411-099 | 1 | | Decal, Warning - Rear Rack Load (2X4) |
| 11 | 0411-007 | 1 | | Decal, Warning - Rear Rack Load (4X4) |
| 12 | 0411-043 | 1 | /P | Decal, "Arctic Cat" |
| 13 | 0411-268 | 1 | | Decal, Warning - Towing (2X4) |
| 13 | 0411-267 | 1 | | Decal, Warning - Towing (4X4) |
| 14 | 0411-003 | 1 | | Decal, Shift Pattern |
| 15 | 0411-011 | 1 | | Decal, Caution - Electrical |
| 16 | 0411-009 | 1 | | Decal, Hi/Low Range |
| 17 | 0411-325 | 1 | | Decal, Instruction - Choke |

2001 500 GREEN (A2001ATM4AUSG) (ATV 400/500 CC MANUAL TRANSMISSION) 14 of 101
ENGINE AND EXHAUST

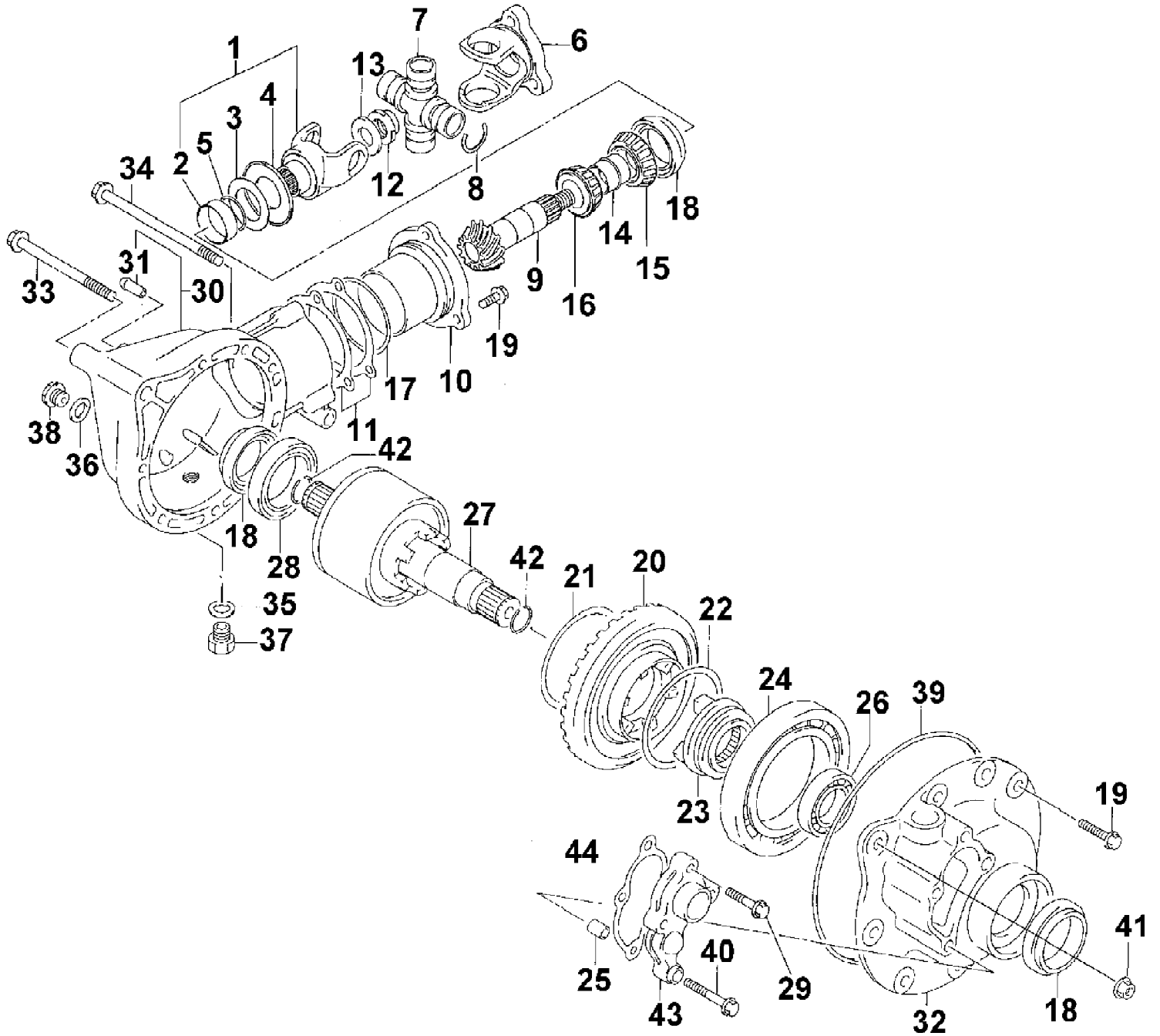


2001 500 GREEN (A2001ATM4AUSG) (ATV 400/500 CC MANUAL TRANSMISSION)
ENGINE AND EXHAUST

Page 5 of 101

| Ref # | Part Number | Qty | S/P/F | Description |
|-------|-------------|-----|-------|-------------------------------|
| 1 | 0512-001 | 1 | | Pipe, Exhaust |
| 2 | 8408-820 | 2 | /P | Screw, Cap |
| 3 | 3423-009 | 2 | /P | Screw, Cap |
| 4 | 0423-050 | 3 | | Washer, Engine |
| 5 | 0423-042 | 1 | S | Spacer, Engine |
| 6 | 0462-008 | 1 | | Engine (400 2X4) |
| 6 | 0462-010 | 1 | | Engine (400 4X4) |
| 6 | 0462-011 | 1 | S | Engine (500) |
| 7 | 8428-002 | 3 | | Nut, Lock |
| 8 | 0412-007 | 1 | /P | Seal, Exhaust |
| 9 | 8424-802 | 3 | | Nut |
| 10 | 8408-860 | 1 | | Screw, Cap |
| 11 | 8408-816 | 4 | | Screw, Cap |
| 12 | 0506-083 | 1 | | Bracket, Engine - Upper |
| 13 | 0502-084 | 1 | /P | Lever, Shift |
| 14 | 8476-620 | 1 | | Screw, Cap |
| 15 | 0423-150 | 1 | | Clamp, Exhaust |
| 16 | 0412-033 | 6 | | Bushing, Exhaust |
| 17 | 0412-056 | 1 | S | Muffler |
| 18 | 0423-106 | 3 | | Screw, Machine - Shoulder |
| 19 | 0406-224 | 1 | | Cover, Exhaust |
| 20 | 8477-610 | 4 | | Screw, Machine |
| 21 | 0423-079 | 2 | | Clamp, Hose |
| 22 | 0406-298 | 1 | | Plate, Heat - Muffler |
| 23 | 8053-211 | 4 | S | Washer, Lock - External Tooth |
| 24 | 8424-602 | 2 | /P | Nut, Flange |
| 25 | 8476-640 | 2 | | Screw, Cap |
| 26 | 0107-630 | 2 | | Spacer |

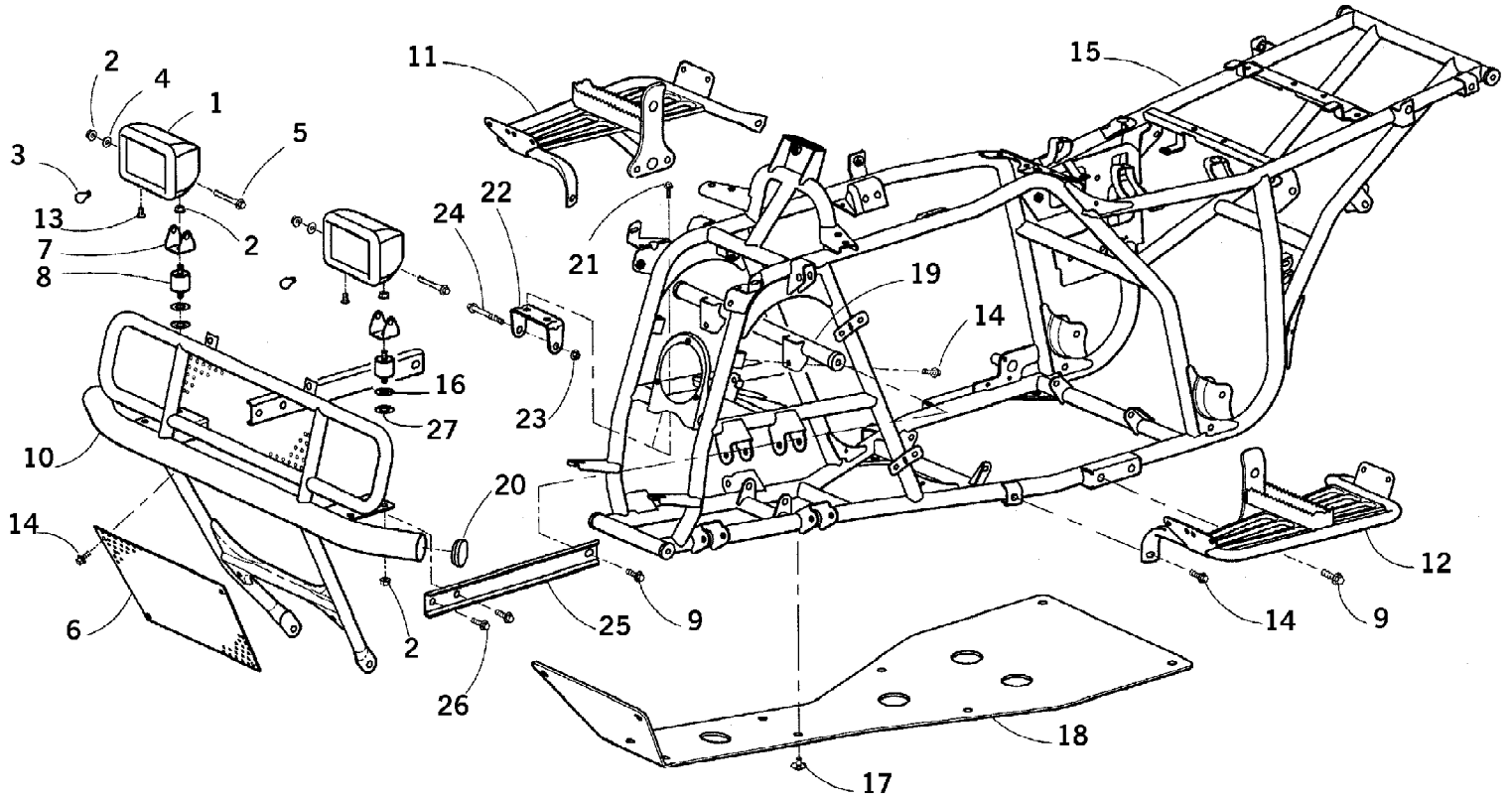
2001 500 GREEN (A2001ATM4AUSG) (ATV 400/500 CC MANUAL TRANSMISSION)
FINAL BEVEL GEAR ASSEMBLY (Front - 500 cc)



2001 500 GREEN (A2001ATM4AUSG) (ATV 400/500 CC MANUAL TRANSMISSION)
 FINAL BEVEL GEAR ASSEMBLY (Front - 500 cc) Page 7 of 101

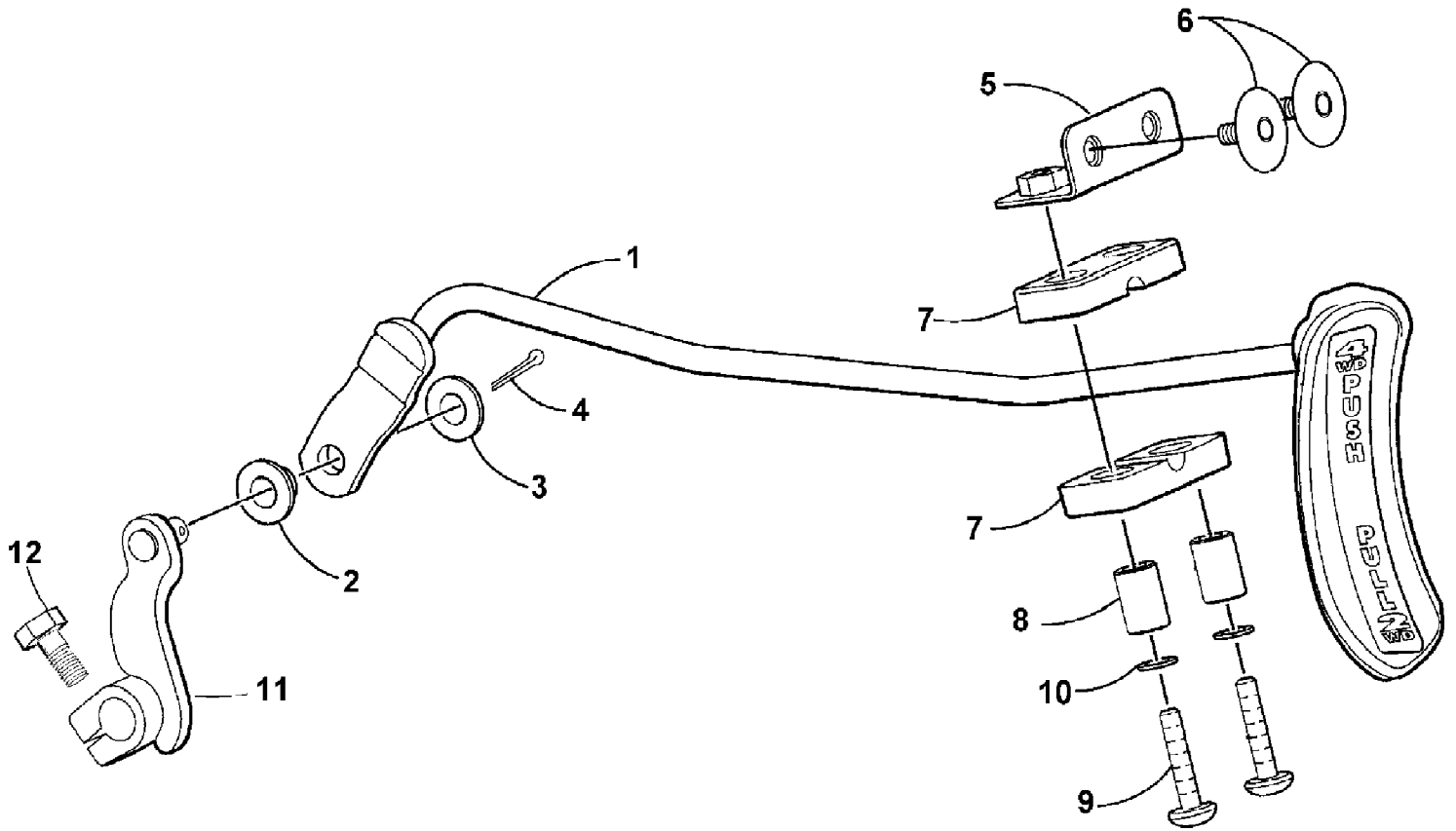
| Ref # | Part Number | Qty | S/P/F | Description |
|-------|-------------|-----|-------|---------------------------------------|
| | 3502-003 | 1 | S/P | Complete Assembly |
| 1 | 3435-090 | 1 | /P | Yoke, Drive Bevel Gear (inc. 2-5) |
| 2 | 3435-029 | 1 | | Collar, Yoke |
| 3 | 3435-030 | 1 | | Plate, Yoke |
| 4 | 3435-035 | 1 | | Plate, Yoke Collar |
| 5 | 3423-060 | 1 | | O-Ring, Yoke Collar |
| 6 | 3435-091 | 1 | | Yoke, Propeller Shaft |
| 7 | 3435-011 | 1 | | Joint, Universal - Set |
| 8 | 3423-067 | 4 | | Circlip, Universal Joint |
| 9 | 3435-092 | 1 | | Gear, Drive Bevel |
| 10 | 3435-021 | 1 | | Housing, Drive Bevel Gear |
| 11 | 3435-022 | 1 | | Shim Set |
| 12 | 3423-178 | 1 | /P | Nut, Drive Bevel Gear |
| 13 | 3423-028 | 1 | | Washer, Drive Bevel Gear |
| 14 | 3402-016 | 1 | | Spacer, Drive Bevel Gear |
| 15 | 3402-066 | 1 | /P | Bearing, Drive Bevel Gear |
| 16 | 3402-065 | 1 | | Bearing, Drive Bevel Gear |
| 17 | 3423-064 | 1 | | O-Ring, Drive Bevel Gear Housing |
| 18 | 3402-072 | 3 | | Seal |
| 19 | 3423-175 | 9 | S | Bolt |
| 20 | 3402-519 | 1 | | Gear, Driven Bevel |
| 21 | 3435-017 | 1 | | Shim Set - Gear |
| 22 | 3435-020 | 1 | | Shim Set - Bearing |
| 23 | 3435-075 | 1 | | Dog, Differential Lock |
| 24 | 3402-059 | 1 | | Bearing, Driven Bevel |
| 25 | 3005-206 | 2 | /P | Pin, Dowel |
| 26 | 3402-185 | 1 | | Bearing, Driven Output Shaft |
| 27 | 3435-093 | 1 | | Differential Assembly |
| 28 | 3402-057 | 1 | | Bearing, Differential Case - Right |
| 29 | 3004-756 | 2 | S | Bolt, Case Cover |
| 30 | 3435-024 | 1 | | Housing, Differential Gear (inc. 31) |
| 31 | 3402-084 | 1 | | Union, Breather |
| 32 | 3435-078 | 1 | | Case, Driven Gear Bearing |
| 33 | 3423-010 | 1 | /P | Bolt, Mounting - Differential Housing |
| 34 | 3423-419 | 1 | | Bolt, Mounting - Differential Housing |
| 35 | 3402-012 | 1 | | Gasket, Oil Drain Plug - Gear |
| 36 | 3402-013 | 1 | /P | Gasket, Oil Filler Plug - Gear |
| 37 | 3402-036 | 1 | S | Plug, Oil Drain - Gear |
| 38 | 3423-180 | 1 | S | Plug, Oil Filler - Gear |
| 39 | 3423-050 | 1 | | O-Ring, Driven Gear Bearing Case |
| 40 | 0693-327 | 2 | S | Bolt, Case Cover |
| 41 | 3423-341 | 2 | | Nut, Mounting - Differential Housing |
| 42 | 3423-070 | 2 | | Ring, Driveshaft |
| 43 | 3435-079 | 1 | | Cover, Driven Gear Case |
| 44 | 3402-323 | 1 | | Gasket, Case Cover |

2001 500 GREEN (A2001ATM4AUSG) (ATV 400/500 CC MANUAL TRANSMISSION) 8 of 101
FRAME AND RELATED PARTS



2001 500 GREEN (A2001ATM4AUSG) (ATV 400/500 CC MANUAL TRANSMISSION) of 101
FRAME AND RELATED PARTS

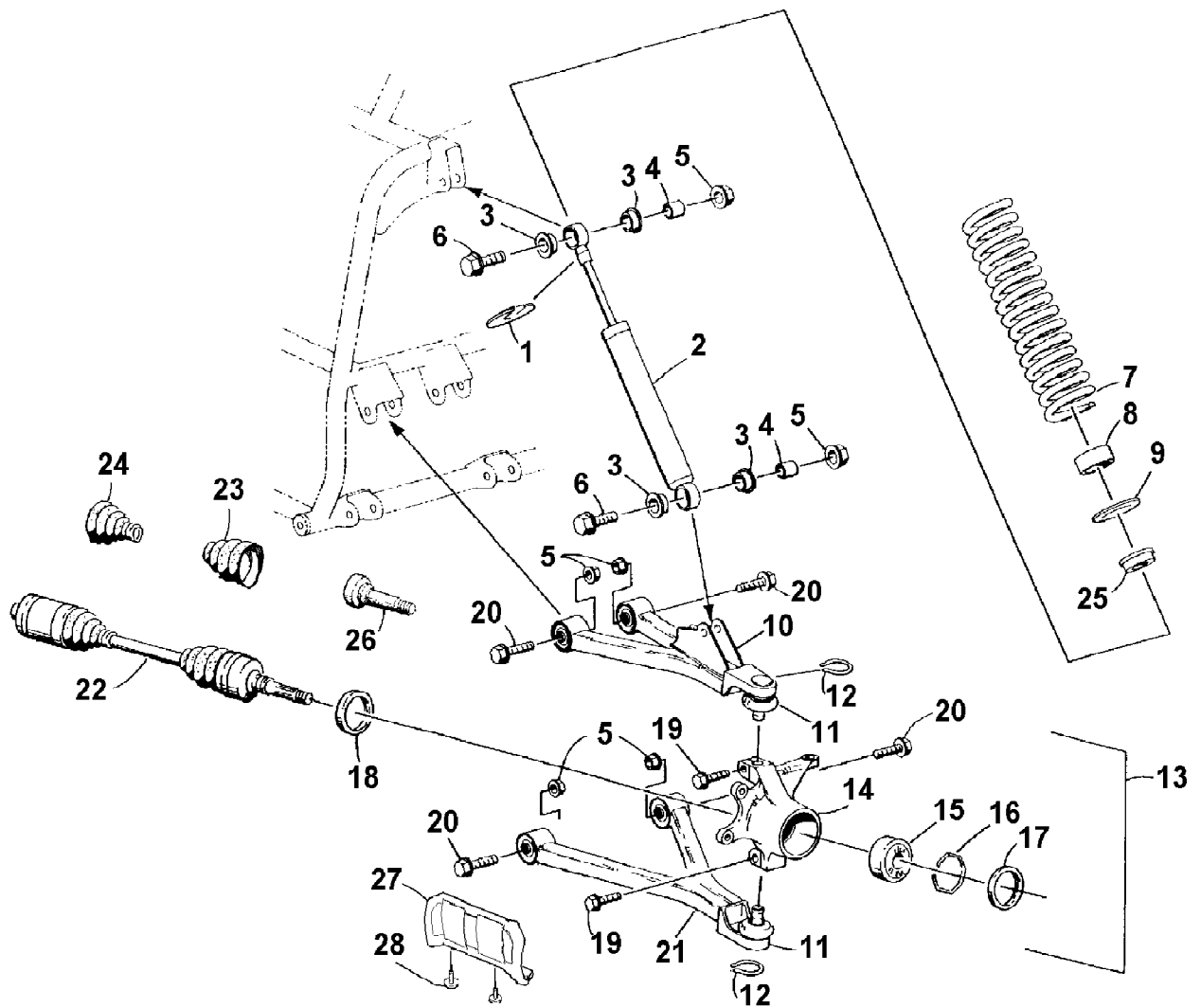
| Ref # | Part Number | Qty | S/P/F | Description |
|-------|-------------|-----|-------|------------------------------------|
| 1 | 0409-001 | 2 | | Headlight Assembly (inc. 3 and 13) |
| 2 | 8424-802 | 6 | | Nut |
| 3 | 0409-005 | 2 | | Bulb, Headlight |
| 4 | 8053-242 | 2 | /P | Washer, Lock - External Tooth |
| 5 | 8408-850 | 2 | | Screw, Cap |
| 6 | 0406-390 | 1 | | Screen, Bumper - Lower (400) |
| 6 | 0406-175 | 1 | | Screen, Bumper - Lower (500) |
| 7 | 0406-261 | 2 | | Yoke, Headlight |
| 8 | 0406-762 | 2 | /P | Mount, Headlight |
| 9 | 8409-020 | 8 | /P | Screw, Cap |
| 10 | 0506-192 | 1 | | Guard, Brush (400) |
| 10 | 0506-410 | 1 | | Guard, Brush (500) |
| 11 | 0506-176 | 1 | S | Footrest - Right |
| 12 | 0506-381 | 1 | S | Footrest - Left |
| 13 | 0123-590 | 2 | | Screw, Machine |
| 14 | 8408-816 | AR | | Screw, Cap |
| 15 | 0506-481 | 1 | S | Frame, Main |
| 16 | 3423-204 | 2 | /P | Washer |
| 17 | 0423-101 | AR | | Screw, Body |
| 18 | 0406-354 | 1 | /P | Panel, Belly |
| 19 | 0506-079 | 1 | | Tube, Cross - Bumper (500) |
| 20 | 0406-130 | 2 | | Cap, Bumper (500) |
| 21 | 8408-820 | 2 | /P | Screw, Cap (4X4) |
| 22 | 0506-149 | 1 | | Bracket, Differential (4X4) |
| 23 | 8428-002 | 2 | | Nut, Lock (4X4) |
| 24 | 3423-010 | 2 | /P | Screw, Cap (4X4) |
| 25 | 0506-297 | 2 | S | Channel, Bumper Mounting (500) |
| 26 | 8408-812 | AR | | Screw, Cap |
| 27 | 0623-710 | 2 | | Washer, Lock - High Collar |



2001 500 GREEN (A2001ATM4AUSG) (ATV 400/500 CC MANUAL TRANSMISSION) of 101
FRONT SHIFT LINKAGE ASSEMBLY

| Ref # | Part Number | Qty | S/P/F | Description |
|-------|-------------|-----|-------|------------------------|
| 1 | 0502-160 | 1 | | Linkage, Shift |
| 2 | 0423-091 | 1 | | Bushing, Shift Linkage |
| 3 | 8050-242 | 1 | | Washer |
| 4 | 0623-846 | 1 | | Pin, Cotter |
| 5 | 0506-400 | 1 | | Bracket, Shift Linkage |
| 6 | 0423-101 | 2 | | Screw, Body |
| 7 | 0406-363 | 2 | | Bushing |
| 8 | 0402-256 | 2 | | Collar |
| 9 | 8476-630 | 2 | | Screw, Machine |
| 10 | 8050-222 | 2 | /P | Washer |
| 11 | 0502-148 | 1 | S | Arm, Select |
| 12 | 8476-620 | 1 | | Screw, Machine |

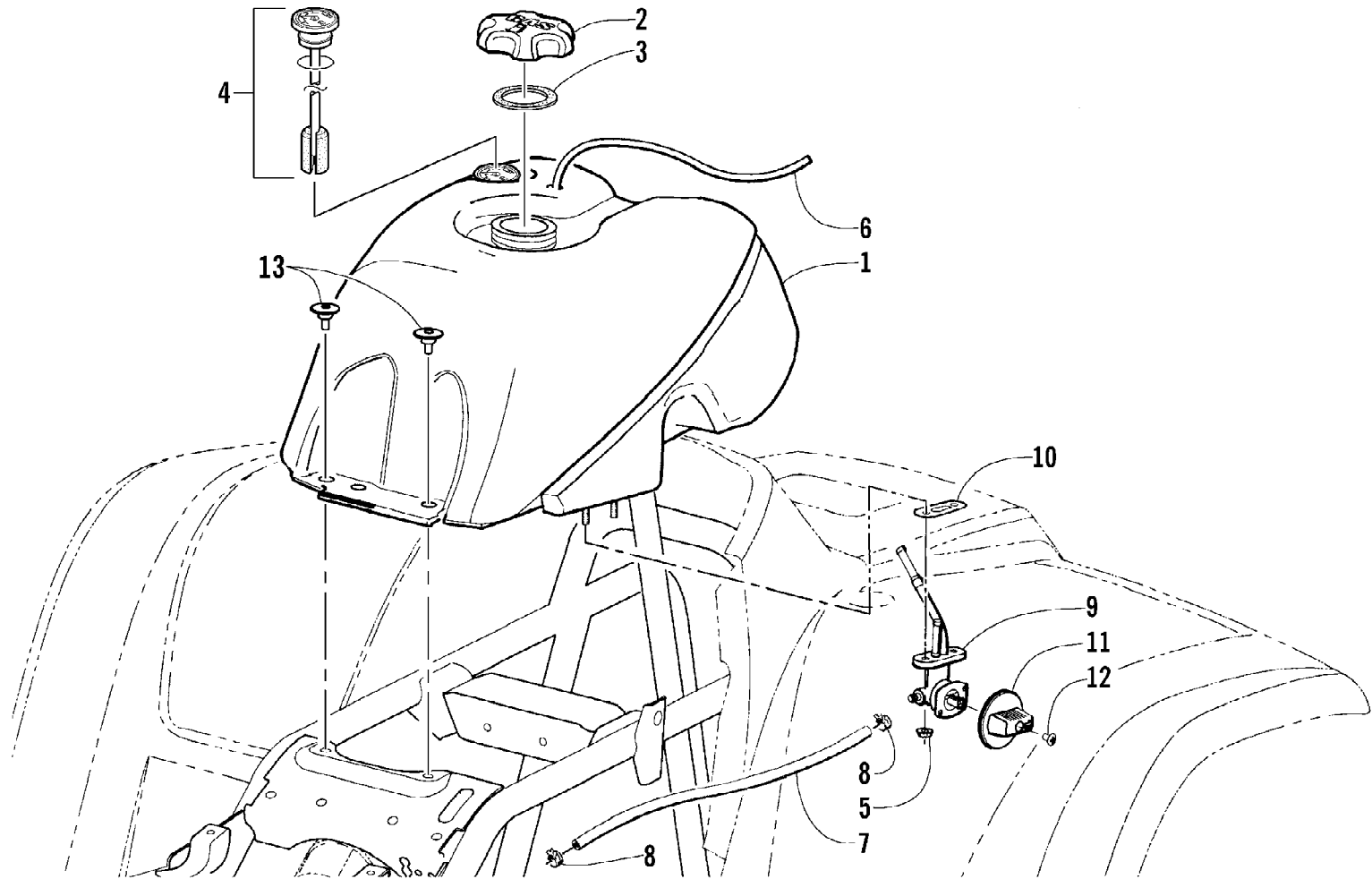
2001 500 GREEN (A2001ATM4AUSG) (ATV 400/500 CC MANUAL TRANSMISSION)
FRONT SUSPENSION ASSEMBLY



2001 500 GREEN (A2001ATM4AUSG) (ATV 400/500 CC MANUAL TRANSMISSION)
FRONT SUSPENSION ASSEMBLY

| Ref # | Part Number | Qty | S/P/F | Description |
|-------|-------------|-----|-------|--|
| 1 | 0603-033 | 2 | S | Retainer, Spring |
| 2 | 0403-034 | 2 | | Shock Absorber - Front (inc. 3-4) (2X4) |
| 2 | 0403-001 | 2 | | Shock Absorber - Front (inc. 3-4) (4X4) |
| 3 | 0604-310 | 8 | | Bushing, Shock Absorber |
| 4 | 0403-028 | 4 | | Sleeve, Shock |
| 5 | 8428-002 | 12 | | Nut, Lock |
| 6 | 8409-040 | 4 | | Screw, Cap |
| 7 | 0403-002 | 2 | | Spring, Shock Absorber |
| 8 | 0403-025 | 2 | /P | Collar, Spring |
| 9 | 0403-013 | 2 | | Washer, Spring |
| 10 | 0503-026 | 1 | S/P | A-Arm, Upper Right - Assembly (inc. 11-12) |
| 10 | 0503-027 | 1 | S/P | A-Arm, Upper Left - Assembly (inc. 11-12) |
| 11 | 0405-068 | 4 | S | Ball Joint - Front |
| 12 | 0423-009 | 4 | /P | Clip, Ball Joint |
| 13 | 0505-026 | 1 | S/P | Knuckle - Assembly - Right (inc. 14-18) |
| 13 | 0505-027 | 1 | S/P | Knuckle - Assembly - Left (inc. 14-18) |
| 14 | 0505-062 | 1 | S | Knuckle, Steering - Right |
| 14 | 0505-063 | 1 | S | Knuckle, Steering - Left |
| 15 | 0402-275 | 2 | /P | Bearing, Wheel Hub - Front |
| 16 | 0423-034 | 2 | | Clip, Bearing |
| 17 | 0402-089 | 2 | | Seal, Wheel Bearing - Front |
| 18 | 0402-069 | 2 | | Seal, Wheel Bearing - Front |
| 19 | 8409-030 | 4 | | Screw, Cap |
| 20 | 8409-060 | 8 | | Screw, Cap |
| 21 | 0503-036 | 1 | S | A-Arm, Lower Right (inc. 11-12) (2X4) |
| 21 | 0503-037 | 1 | S | A-Arm, Lower Left (inc. 11-12) (2X4) |
| 21 | 0503-092 | 1 | S | A-Arm, Lower Right (inc. 11-12) (4X4) |
| 21 | 0503-093 | 1 | S | A-Arm, Lower Left (inc. 11-12) (4X4) |
| 22 | 0402-179 | 1 | S | Axle, Drive - Front Right (500 4X4) |
| 22 | 0402-179 | 2 | S | Axle, Drive - Front (400 4X4) |
| 22 | 0402-179 | 1 | S | Axle, Drive - Front Left (500 4X4) |
| 23 | 0436-114 | 2 | S | Repair Kit, Outer Boot - Front Axle |
| 24 | 0436-113 | 2 | S | Repair Kit, Inner Boot - Front Axle |
| 25 | 0403-027 | 2 | | Retainer, Spring - Lower |
| 26 | 0402-183 | 2 | | Axle, Stub (2X4) |
| 27 | 0406-656 | 2 | | Guard, Boot - Axle |
| 28 | 0423-101 | 4 | | Screw, Body |

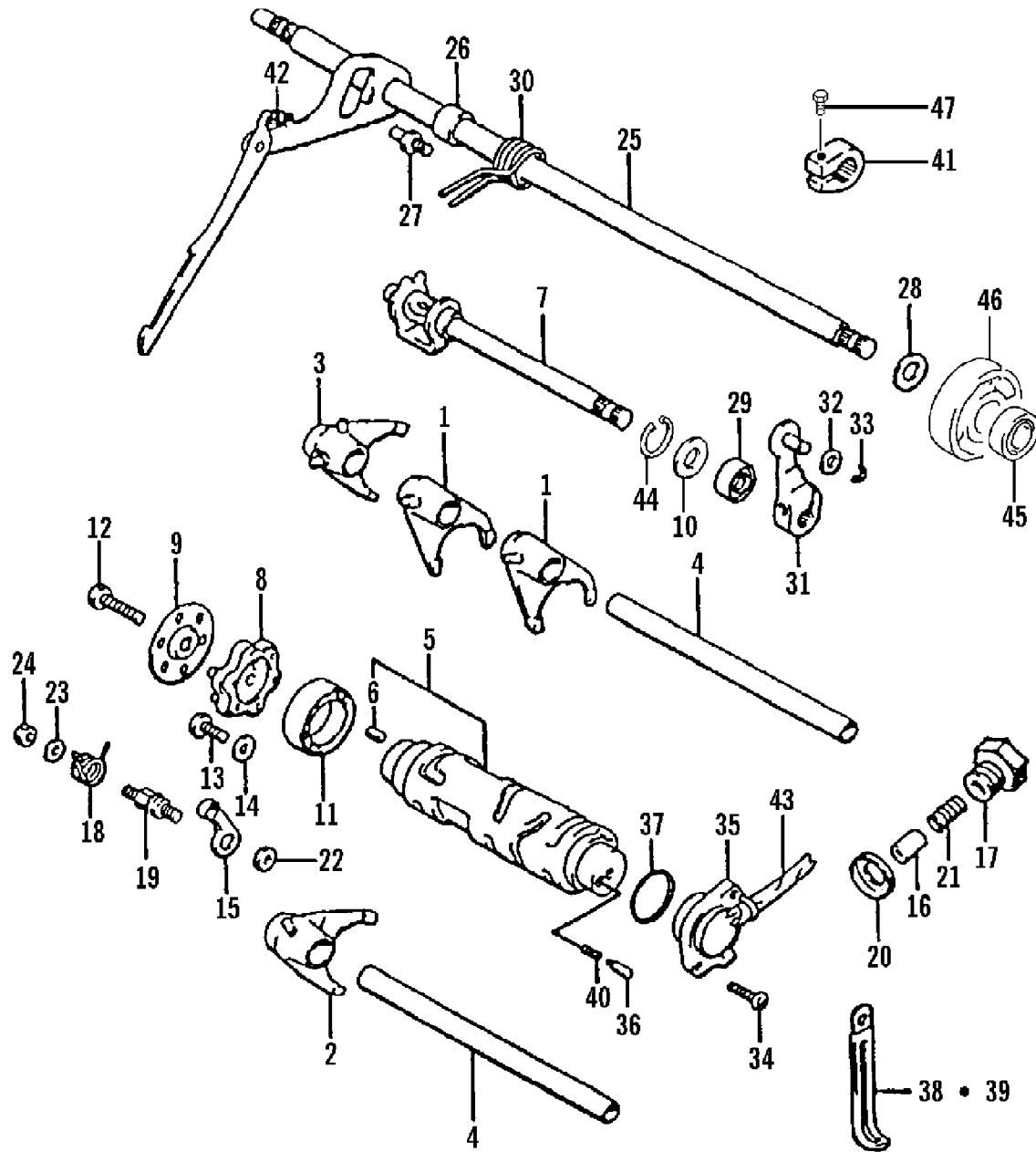
2001 500 GREEN (A2001ATM4AUSG) (ATV 400/500 CC MANUAL TRANSMISSION) of 101
GAS TANK ASSEMBLY (Vehicle Identification Number E21T325087 and Up)



2001 500 GREEN (A2001ATM4AUSG) (ATV 400/500 CC MANUAL TRANSMISSION) Page 4 of 101
 GAS TANK ASSEMBLY (Vehicle Identification Number E21T325087 and Up)

| Ref # | Part Number | Qty | S/P/F | Description |
|-------|-------------|-----|-------|----------------------------------|
| 1 | 0570-035 | 1 | S | Tank, Gas - Assembly (inc. 2-12) |
| 2 | 0470-438 | 1 | /P/F | Cap, Gas (inc. 3) |
| 3 | 0109-733 | 1 | /P/F | Gasket, Gas Cap |
| 4 | 0470-444 | 1 | S/F | Gauge, Fuel w/Gasket (Press-Fit) |
| 5 | 0624-250 | 1 | F | Nut, Lock |
| 6 | 0470-381 | 1 | S | Hose, Vent |
| 7 | 0610-007 | AR | /P | Hose, Gasline - 25 ft |
| 8 | 0423-152 | 2 | | Clamp, Hose - Spring |
| 9 | 0470-401 | 1 | S | Valve, Fuel Shut-Off (inc. 10) |
| 10 | 0470-364 | 1 | | Gasket, Fuel Shut-Off Valve |
| 11 | 0470-408 | 1 | | Knob, Fuel Shut-Off Valve |
| 12 | 0423-146 | 1 | | Screw, Fuel Shut-Off Valve Knob |
| 13 | 0423-130 | 2 | | Screw, Gas Tank |

2001 500 GREEN (A2001ATM4AUSG) (ATV 400/500 CC MANUAL TRANSMISSION)
GEAR SHIFTING ASSEMBLY



2001 500 GREEN (A2001ATM4AUSG) (ATV 400/500 CC MANUAL TRANSMISSION)
GEAR SHIFTING ASSEMBLY

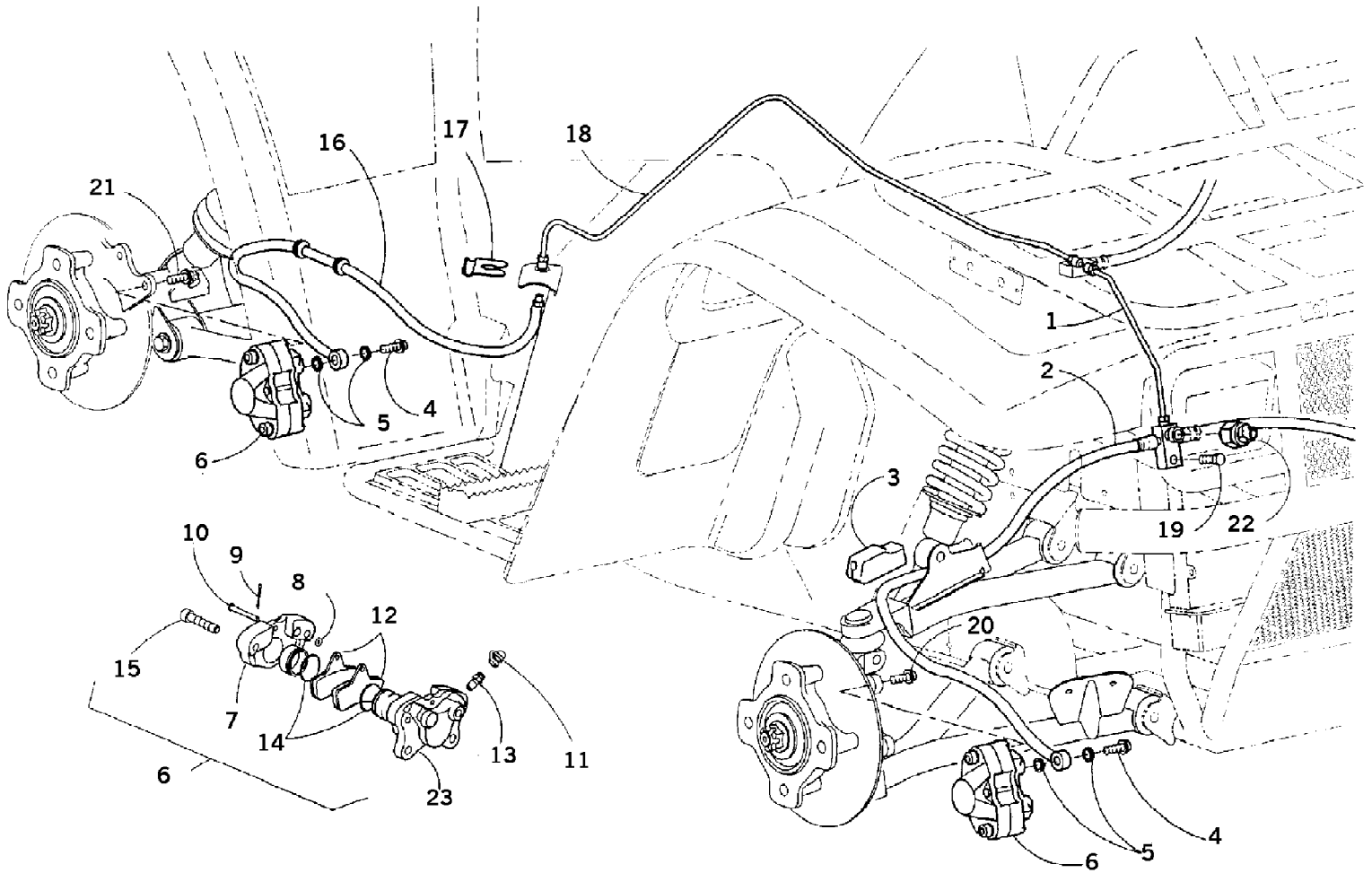
Page 17 of 101

| Ref # | Part Number | Qty | S/P/F | Description |
|-------|-------------|-----|-------|------------------------------------|
| 1 | 3446-038 | 2 | | Fork (No. 2) |
| 2 | 3446-039 | 1 | | Fork (No. 3) |
| 3 | 3446-040 | 1 | | Fork, Reverse |
| 4 | 3446-052 | 2 | | Shaft, Gear Shift Fork |
| 5 | 3446-041 | 1 | | Cam, Gear Shift (inc. 6) |
| 6 | 3423-114 | 1 | /P | Pin, Gear Shift |
| 7 | 3446-241 | 1 | | Cam, Reverse Shift |
| 8 | 3446-049 | 1 | | Plate, Gear Shift Cam |
| 9 | 3446-050 | 1 | S | Guide, Gear Shift Cam Plate |
| 10 | 3423-357 | 1 | | Washer, Reverse Shift Cam |
| 11 | 3402-051 | 1 | | Bearing, Gear Shift Cam |
| 12 | 3423-125 | 1 | S | Bolt, Clutch Release Arm |
| 13 | 3004-552 | 2 | S | Screw, Cam Bearing Retainer |
| 14 | 3423-135 | 2 | | Retainer, Bearing |
| 15 | 3446-043 | 1 | | Stopper, Gear Shift Cam |
| 16 | 3446-117 | 1 | | Stopper, Reverse Shift Cam |
| 17 | 3446-164 | 1 | | Housing, Reverse Cam Stopper |
| 18 | 3446-047 | 1 | | Spring, Shift Cam Stopper Arm |
| 19 | 3446-048 | 1 | | Support, Shift Cam Stopper |
| 20 | 3402-012 | 1 | | Gasket, Cam Stopper Housing |
| 21 | 3402-088 | 1 | | Spring, Reverse Cam Stopper |
| 22 | 3423-141 | 1 | | Washer, Gear Shift Cam |
| 23 | 3423-142 | 1 | | Washer, Cam Stopper Arm |
| 24 | 3004-488 | 1 | S/P | Nut, Cam Stopper Arm Support |
| 25 | 3446-243 | 1 | S | Shaft, Gear Shift (inc. 42) |
| 26 | 3446-054 | 1 | | Spacer, Gear Shift Shaft |
| 27 | 3446-056 | 1 | | Stopper, Gear Shift Arm |
| 28 | 3402-068 | 1 | /P | Seal, Gear Shift Shaft Oil (400) |
| 29 | 3402-076 | 1 | | Seal, Reverse Shift Oil |
| 30 | 3402-094 | 1 | | Spring, Gear Shift Return |
| 31 | 3446-055 | 1 | | Arm, Reverse Gear Shift |
| 32 | 3423-209 | 1 | | Washer, Gear Shift Cable Arm (400) |
| 32 | 3423-204 | 1 | /P | Washer, Gear Shift Cable Arm (500) |
| 33 | 3423-168 | 1 | S | E-Ring, Gear Shift Cable Arm |
| 34 | 3423-166 | 2 | S | Screw, Cap |
| 35 | 3430-015 | 1 | /P | Base Assembly |
| 36 | 3423-044 | 1 | | Contact, Neutral |
| 37 | 3423-059 | 1 | | O-Ring, Neutral |
| 38 | 3004-787 | 1 | | Clamp |
| 39 | 3002-964 | 1 | /P | Clamp |
| 40 | 3402-087 | 1 | | Spring |
| 41 | 3402-008 | 1 | /P | Hub, Gear Shift |
| 42 | 3402-093 | 1 | | Spring, Gear Shift |
| 43 | 0706-990 | AR | /P | Tape, Foil |
| 44 | 3423-358 | 1 | S | Circlip, Reverse Shift Cam |
| 45 | 3402-068 | 1 | /P | Seal, Gear Shift Shaft Oil (500) |
| 46 | 3402-385 | 1 | | Bearing, Gear Shift (500) |
| 47 | 3423-125 | 1 | S | Bolt |

2001 500 GREEN (A2001ATM4AUSG) (ATV 400/500 CC MANUAL TRANSMISSION) of 101
 HI/LO SHIFTER ASSEMBLY (4X4)

| Ref # | Part Number | Qty | S/P/F | Description |
|-------|-------------|-----|-------|--------------------------------------|
| 1 | 3446-242 | 1 | | Stopper, Shift Cam |
| 2 | 3446-046 | 1 | | Housing, Shift Cam Stopper |
| 3 | 3446-051 | 1 | | Shaft, Shift Fork |
| 4 | 3446-073 | 1 | | Fork, Shift |
| 5 | 3446-074 | 1 | | Cam, Shift (400) |
| 5 | 3446-250 | 1 | | Cam, Shift (500) |
| 6 | 3446-104 | 1 | | Spring |
| 7 | 3446-251 | 1 | S | Shaft, Shift |
| 8 | 3446-077 | 1 | | Plate, Lever Stop |
| 9 | 3446-105 | 1 | /P | Lever, Shift - Assembly (inc. 10-17) |
| 10 | 3446-252 | 1 | | Sub-Rod |
| 11 | 3446-107 | 1 | | Spring |
| 12 | 3423-155 | 1 | | Washer |
| 13 | 3423-154 | 1 | | Circlip |
| 14 | 3423-205 | 1 | | Pin |
| 15 | 3446-106 | 1 | | Collar |
| 16 | 3423-152 | 1 | /P | Washer |
| 17 | 3423-153 | 1 | | E-Clip |
| 18 | 3446-078 | 1 | | Handle |
| 19 | 3402-191 | 1 | | Spacer |
| 20 | 3402-012 | 1 | | Gasket, Shift Cam Stopper |
| 21 | 3402-071 | 1 | /P | Seal, Oil |
| 22 | 3446-113 | 1 | | Spring |
| 23 | 3004-377 | 2 | S/P | Bolt, Lever Stop Plate |
| 24 | 3423-156 | 1 | S | Screw, Shift Handle |
| 25 | 3402-382 | 1 | | Washer, Cam Stop |
| 26 | 3423-158 | 1 | /P | Washer, Shaft - Left |
| 27 | 3423-191 | 1 | /P | Circlip, Cam Spring |
| 28 | 3423-192 | 2 | /P | Circlip, Shift Lever |
| 29 | 3423-193 | 1 | S/P | Circlip, Shaft - Left |
| 30 | 3446-112 | 1 | /P | Spacer Set (400) |
| 30 | 3446-261 | 1 | | Spacer Set (500) |

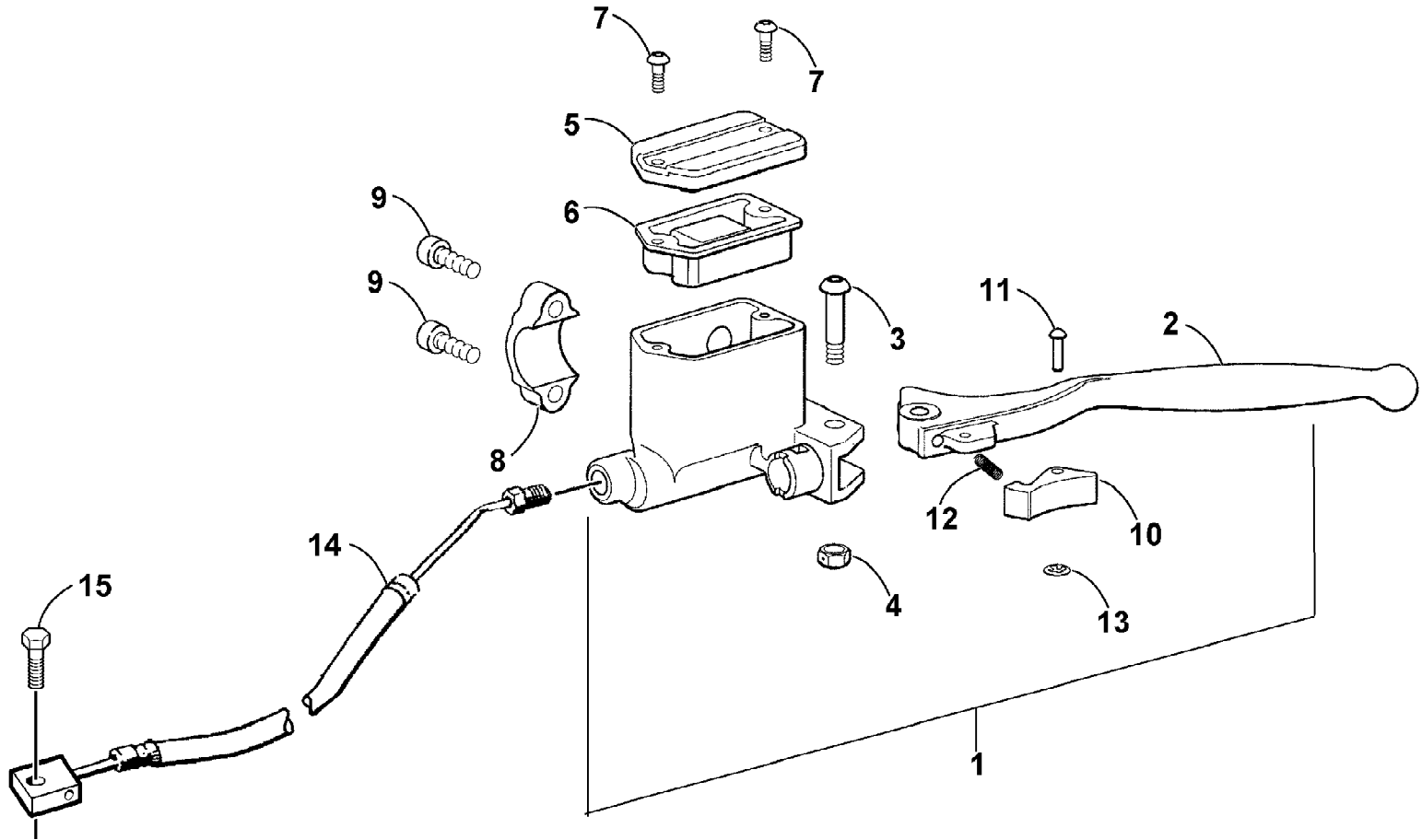
2001 500 GREEN (A2001ATM4AUSG) (ATV 400/500 CC MANUAL TRANSMISSION) of 101
HYDRAULIC BRAKE ASSEMBLY



2001 500 GREEN (A2001ATM4AUSG) (ATV 400/500 CC MANUAL TRANSMISSION) of 101
 HYDRAULIC BRAKE ASSEMBLY

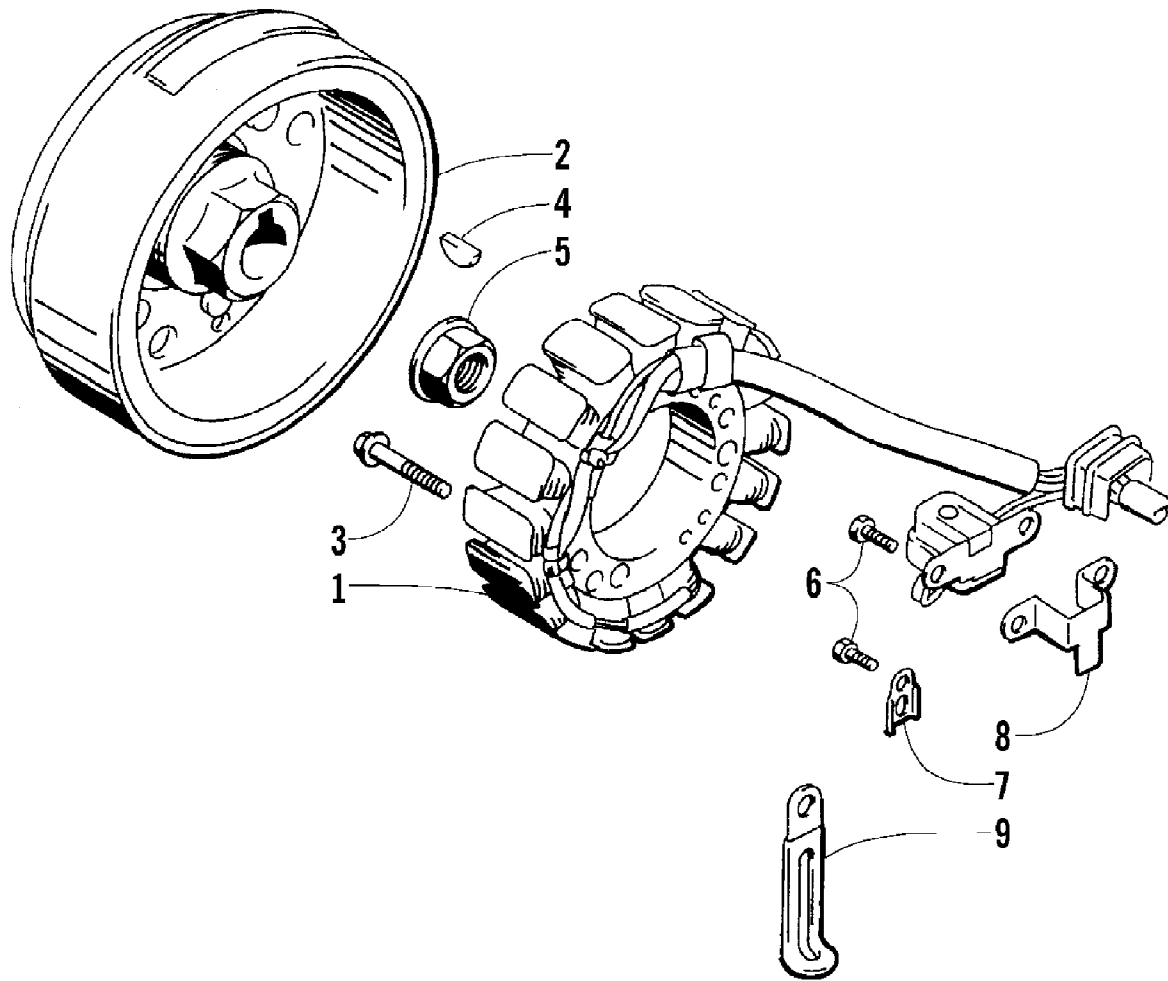
| Ref # | Part Number | Qty | S/P/F | Description |
|-------|-------------|-----|-------|---|
| 1 | 0402-373 | 1 | | Tube, Brakeline - Front |
| 2 | 0402-307 | 1 | | Hose, Brake - Front |
| 3 | 0402-073 | 2 | | Block, Mounting |
| 4 | 0423-038 | 3 | S | Bolt, Oil |
| 5 | 0423-039 | 6 | | Washer, Crush |
| 6 | 0402-488 | 1 | S | Caliper, Brake - Right Front (inc. 7-15 and 23) |
| 6 | 0402-489 | 2 | S | Caliper, Brake - Left Front and Rear (inc. 7-15 and 23) |
| 7 | 0 | 3 | F | Housing, Caliper |
| 8 | 0402-490 | 3 | | O-Ring |
| 9 | 0402-496 | 3 | S | Pin, Cotter |
| 10 | 0402-495 | 3 | | Pin, Brake Caliper |
| 11 | 0402-493 | 3 | | Cap, Bleeder Valve |
| 12 | 0402-494 | 6 | S | Pad, Brake |
| 13 | 0402-491 | 3 | S | Valve, Bleeder |
| 14 | 0402-487 | 6 | | O-Ring, Brake Caliper |
| 15 | 0402-492 | 12 | | Screw, Cap |
| 16 | 0402-184 | 1 | | Hose, Brake - Rear |
| 17 | 0402-115 | 1 | S | Clip, Brakeline |
| 18 | 0402-054 | 1 | | Tube, Brakeline - Rear |
| 19 | 8476-625 | 1 | | Screw, Cap |
| 20 | 8408-825 | 4 | | Screw, Cap |
| 21 | 8408-820 | 2 | /P | Screw, Cap |
| 22 | 0402-306 | 1 | /P | Switch, Brake Pressure |
| 23 | 0 | 3 | F | Housing, Caliper |

2001 500 GREEN (A2001ATM4AUSG) (ATV 400/500 CC MANUAL TRANSMISSION)
HYDRAULIC HAND BRAKE ASSEMBLY



2001 500 GREEN (A2001ATM4AUSG) (ATV 400/500 CC MANUAL TRANSMISSION)
 HYDRAULIC HAND BRAKE ASSEMBLY Page 3 of 101

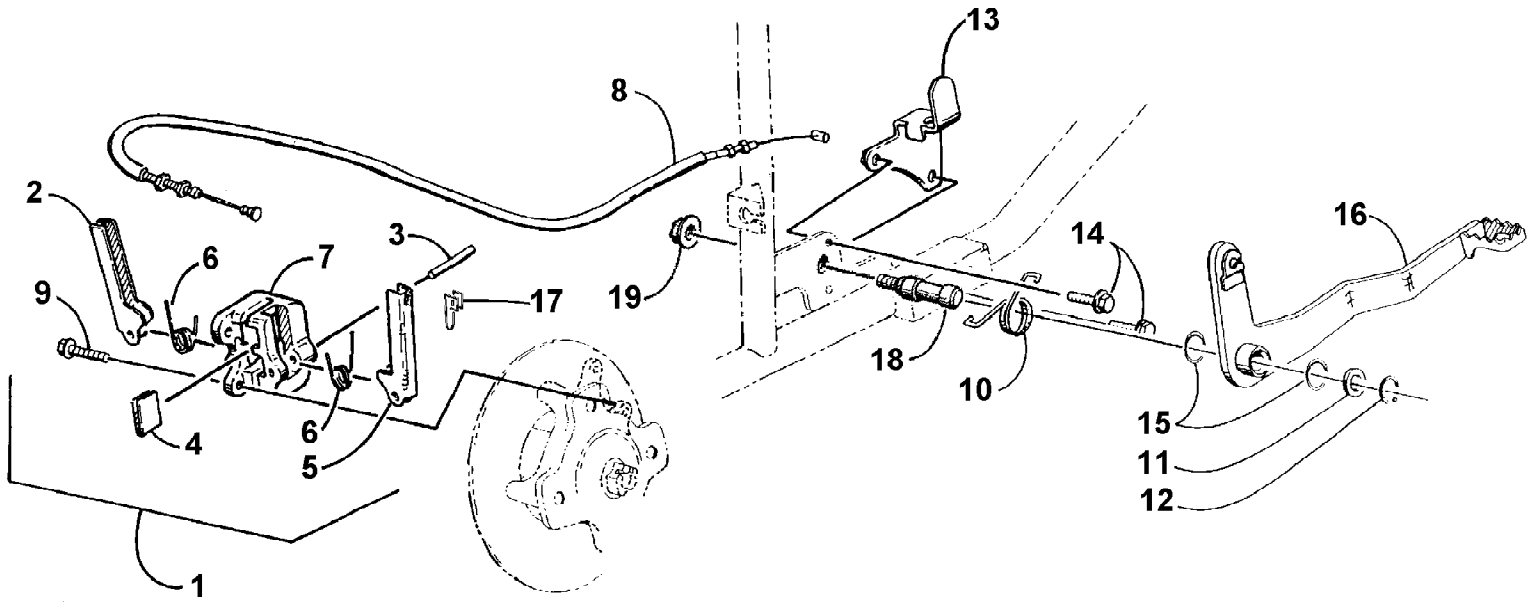
| Ref # | Part Number | Qty | S/P/F | Description |
|-------|-------------|-----|-------|---|
| 1 | 0502-231 | 1 | S | Cylinder, Master - Assembly (inc. 2-13) |
| 2 | 0402-818 | 1 | /P | Lever, Brake |
| 3 | 0402-549 | 1 | S | Screw |
| 4 | 0402-557 | 1 | S | Nut, Lock |
| 5 | 0402-544 | 1 | | Cover, Reservoir |
| 6 | 0402-553 | 1 | | Bladder, Reservoir |
| 7 | 0402-545 | 2 | | Screw |
| 8 | 0402-558 | 1 | S | Clamp, Master Cylinder |
| 9 | 0402-562 | 2 | S | Screw |
| 10 | 0402-546 | 1 | S | Lever, Brake - Lock |
| 11 | 0402-547 | 1 | S | Rivet |
| 12 | 0402-559 | 1 | | Spring, Lever Lock |
| 13 | 0402-561 | 1 | S | Washer, Lock - Retaining |
| 14 | 0402-050 | 1 | S | Hose, Brakeline |
| 15 | 8476-625 | 1 | | Screw, Machine |



2001 500 GREEN (A2001ATM4AUSG) (ATV 400/500 CC MANUAL TRANSMISSION) Page 5 of 101
MAGNETO ASSEMBLY

| Ref # | Part Number | Qty | S/P/F | Description |
|-------|-------------|-----|-------|-----------------|
| 1 | 3430-011 | 1 | /P | Stator Assembly |
| 2 | 3430-012 | 1 | | Rotor/Flywheel |
| 3 | 3423-162 | 3 | S | Bolt |
| 4 | 0691-785 | 1 | | Key |
| 5 | 3423-086 | 1 | | Nut |
| 6 | 3423-005 | 3 | /P | Screw, Cap |
| 7 | 3430-005 | 1 | | Clamp (No. 1) |
| 8 | 3430-006 | 1 | | Clamp (No. 2) |
| 9 | 3002-964 | 1 | /P | Clamp (No. 3) |

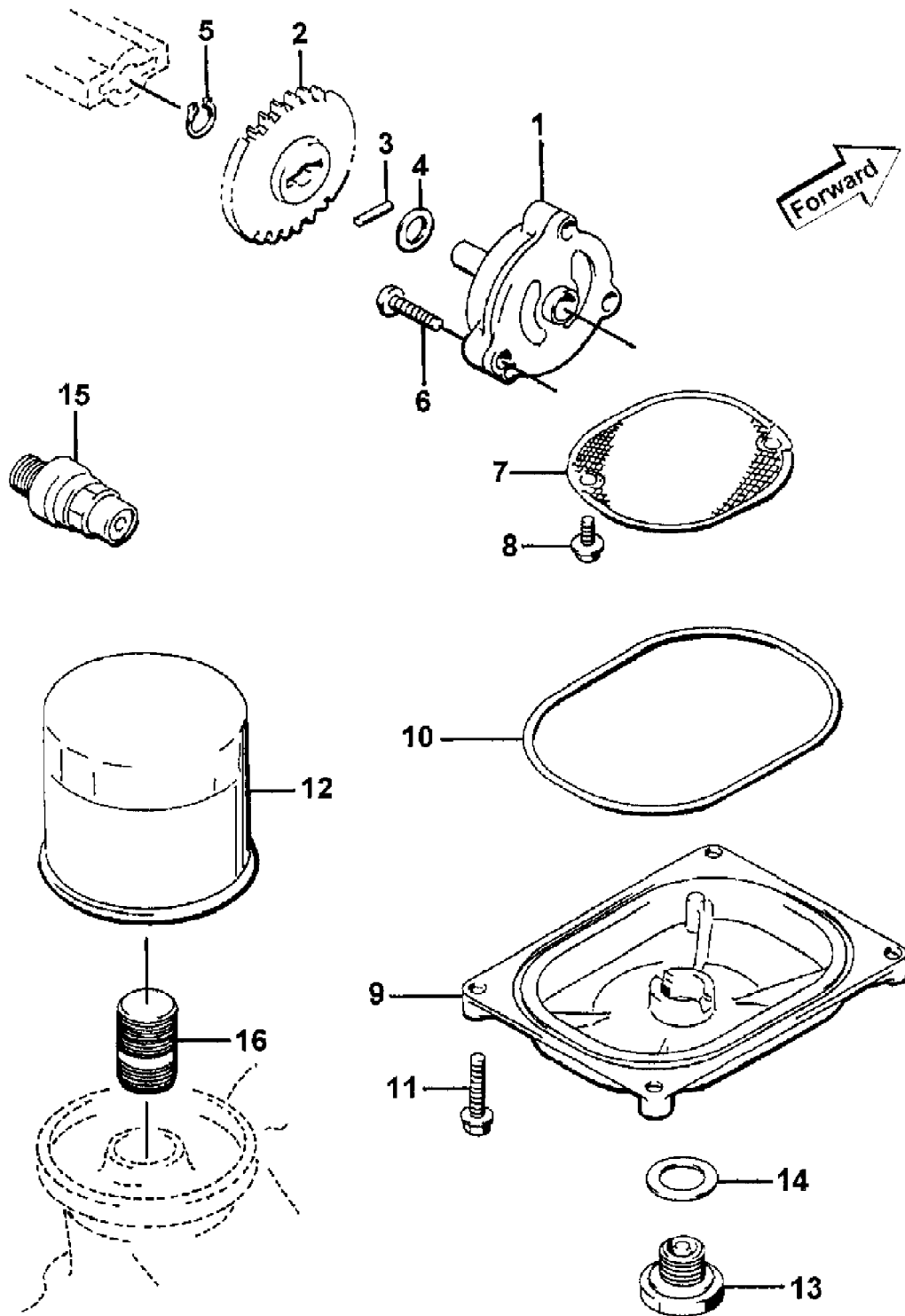
2001 500 GREEN (A2001ATM4AUSG) (ATV 400/500 CC MANUAL TRANSMISSION)
MECHANICAL BRAKE ASSEMBLY



2001 500 GREEN (A2001ATM4AUSG) (ATV 400/500 CC MANUAL TRANSMISSION)
 MECHANICAL BRAKE ASSEMBLY Page 17 of 101

| Ref # | Part Number | Qty | S/P/F | Description |
|-------|-------------|-----|-------|--------------------------------------|
| 1 | 0502-115 | 1 | S | Mechanical Brake Assembly (inc. 2-7) |
| 2 | 0 | 1 | F | Arm, Inner |
| 3 | 0 | 2 | F | Pin, Arm |
| 4 | 0402-210 | 2 | S | Pad, Brake |
| 5 | 0 | 1 | F | Arm, Outer |
| 6 | 0 | 2 | F | Spring, Arm |
| 7 | 0 | 1 | F | Housing, Brake |
| 8 | 0487-006 | 1 | | Cable, Brake - Rear |
| 9 | 8408-820 | 2 | /P | Screw, Cap |
| 10 | 0402-161 | 1 | S/P | Spring, Brake |
| 11 | 0423-027 | 1 | | Washer, Brake Lever |
| 12 | 0623-237 | 1 | /P | Ring, Snap |
| 13 | 0502-056 | 1 | | Bracket, Brake Switch |
| 14 | 8476-616 | 2 | | Screw, Cap |
| 15 | 0670-183 | 2 | | O-Ring |
| 16 | 0502-095 | 1 | /P | Lever, Brake |
| 17 | 0402-379 | 1 | | Wire Form, Cable |
| 18 | 0406-562 | 1 | | Axle, Foot Brake |
| 19 | 0423-165 | 1 | | Nut |

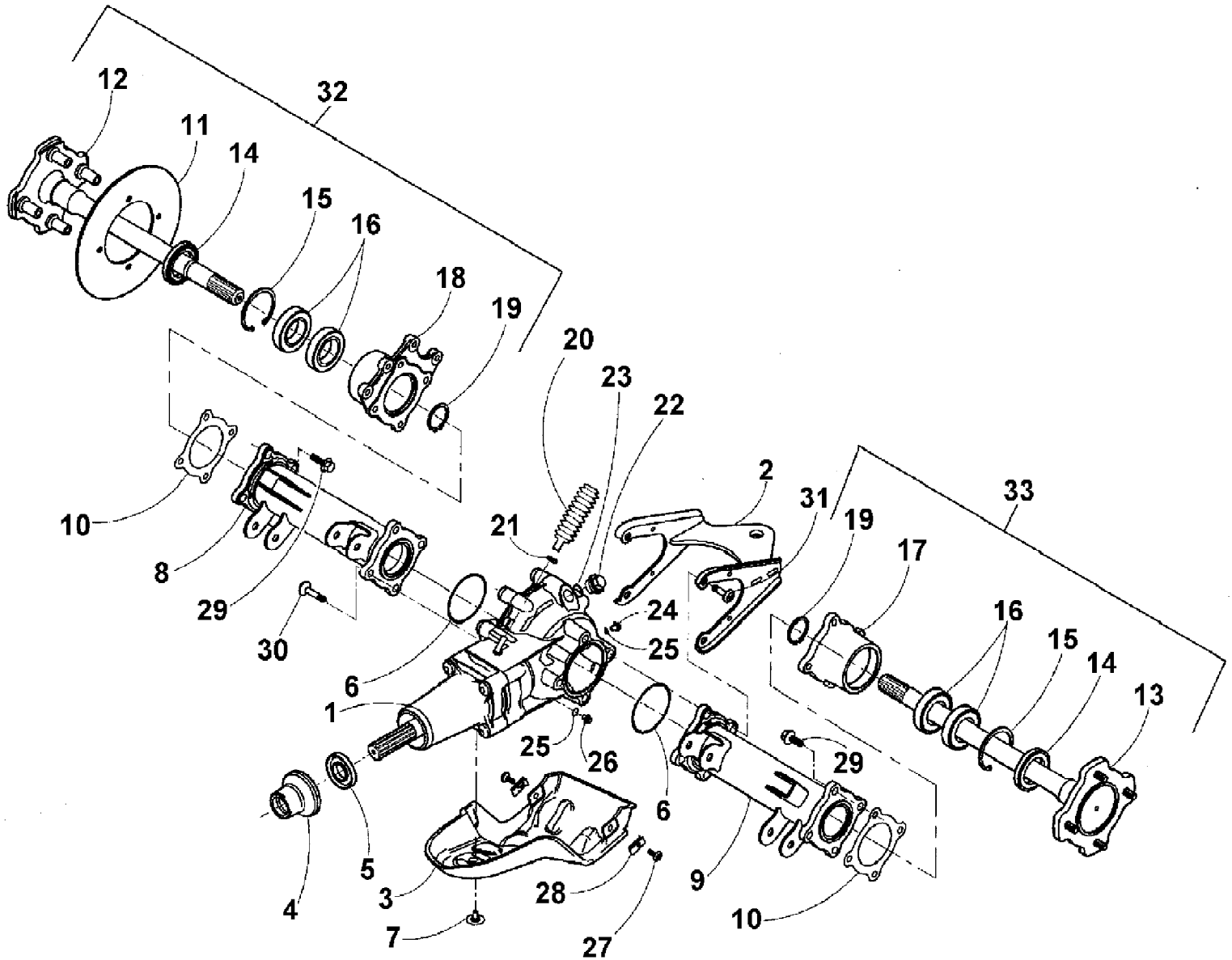
2001 500 GREEN (A2001ATM4AUSG) (ATV 400/500 CC MANUAL TRANSMISSION) 8 of 101
OIL FILTER/PUMP ASSEMBLY



2001 500 GREEN (A2001ATM4AUSG) (ATV 400/500 CC MANUAL TRANSMISSION) of 101
 OIL FILTER/PUMP ASSEMBLY

| Ref # | Part Number | Qty | S/P/F | Description |
|-------|-------------|-----|-------|------------------------------------|
| 1 | 3402-153 | 1 | | Pump, Engine Oil |
| 2 | 3402-026 | 1 | | Gear, Driven |
| 3 | 3423-046 | 1 | | Pin |
| 4 | 3423-115 | 1 | | Washer |
| 5 | 3423-184 | 1 | S | Circlip |
| 6 | 3423-113 | 3 | S/P | Screw, Cap |
| 7 | 3402-156 | 1 | | Strainer, Engine Oil |
| 8 | 0693-389 | 2 | S | Screw, Cap |
| 9 | 3402-157 | 1 | | Cap, Oil Strainer |
| 10 | 3423-077 | 1 | | O-Ring |
| 11 | 3004-756 | 4 | S | Screw, Cap |
| 12 | 0436-146 | 1 | S | Filter, Engine Oil |
| 13 | 3402-036 | 1 | S | Plug, Drain |
| 14 | 3402-012 | 1 | | Gasket |
| 15 | 3402-154 | 1 | | Valve, Assembly - Oil Relief (400) |
| 15 | 3402-359 | 1 | | Valve, Assembly - Oil Relief (500) |
| 16 | 3402-158 | 1 | S | Union, Oil Filter |

2001 500 GREEN (A2001ATM4AUSG) (ATV 400/500 CC MANUAL TRANSMISSION)
REAR AXLE ASSEMBLY

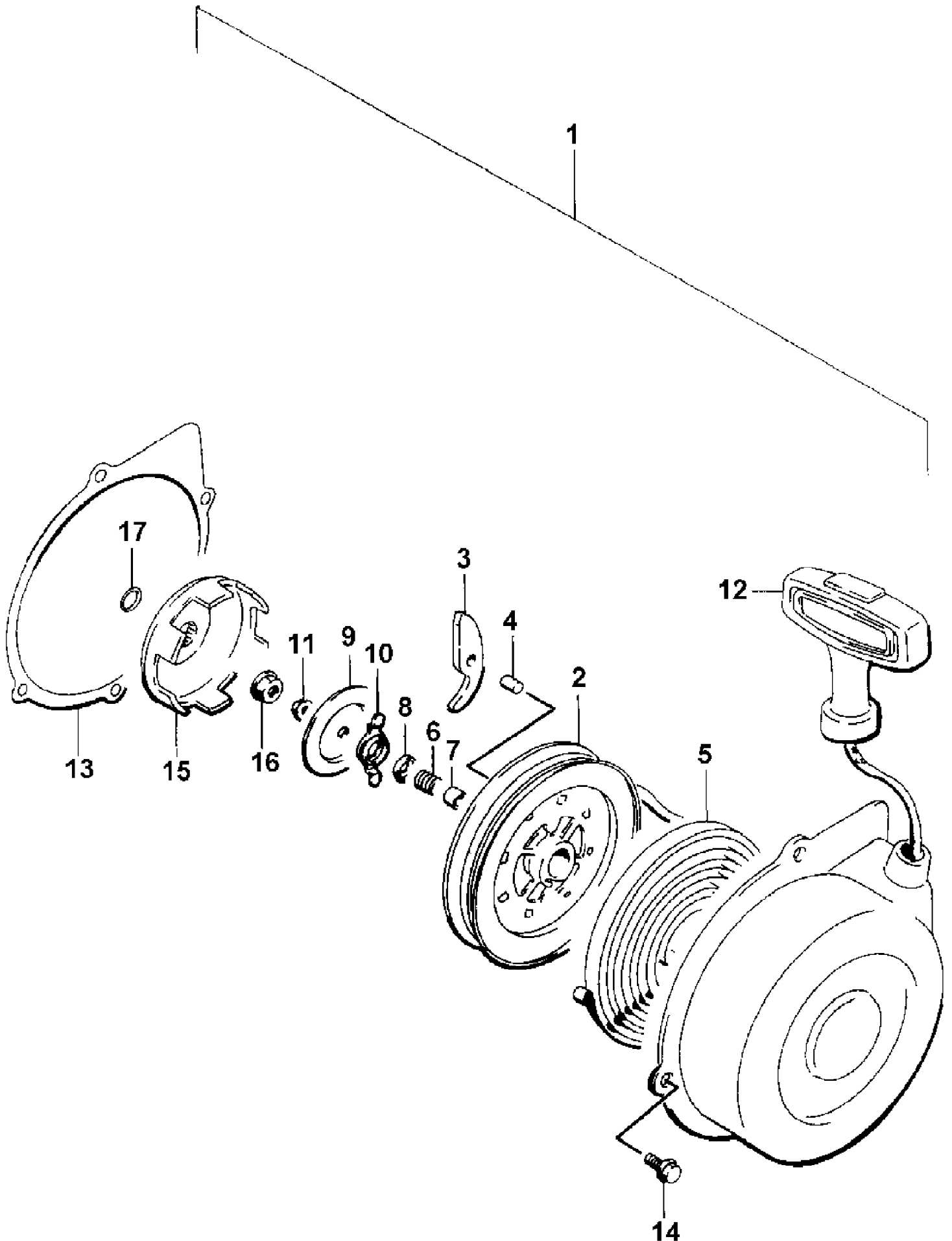


2001 500 GREEN (A2001ATM4AUSG) (ATV 400/500 CC MANUAL TRANSMISSION)
REAR AXLE ASSEMBLY

| Ref # | Part Number | Qty | S/P/F | Description |
|-------|-------------|-----|-------|--|
| 1 | 0502-108 | 1 | | Gear Case Assembly |
| 2 | 0506-300 | 1 | | Hitch, Trailer |
| 3 | 0406-415 | 1 | | Panel, Gear Case - Right |
| 4 | 0402-352 | 1 | | Slinger, Rear Drive - Right |
| 5 | 0402-323 | 1 | | Seal, Rear Drive Slinger |
| 6 | 0423-119 | 2 | | O-Ring |
| 7 | 0423-101 | 1 | | Screw, Body |
| 8 | 0502-090 | 1 | | Housing, Axle - Right |
| 9 | 0502-091 | 1 | | Housing, Axle - Left |
| 10 | 0402-374 | 2 | | Gasket, Axle Housing |
| 11 | 0402-009 | 1 | S | Disc, Brake |
| 12 | 0502-112 | 1 | S/P | Axle Assembly - Right |
| 13 | 0502-113 | 1 | S/P | Axle Assembly - Left |
| 14 | 0402-348 | 2 | | Seal |
| 15 | 0402-347 | 2 | | Ring, Retaining |
| 16 | 0402-339 | 4 | | Bearing |
| 17 | 0502-097 | 1 | S | Housing, Bearing - Left |
| 18 | 0502-096 | 1 | S | Housing, Bearing - Right |
| 19 | 0402-351 | 2 | | Ring, Retaining |
| 20 | 0402-147 | 1 | S | Bladder, Rear Drive Case |
| 21 | 0423-315 | 1 | | Clamp, Hose (Double Wire) |
| 22 | 0402-333 | 1 | /P | Plug, Fill |
| 23 | 0423-154 | 1 | | O-Ring, Fill Plug |
| 24 | 0402-334 | 1 | | Plug, Drain |
| 25 | 0423-153 | 2 | | O-Ring, Drain Plug |
| 26 | 0402-450 | 1 | S | Plug, Drain - Magnetic |
| 27 | 8477-616 | 2 | | Screw, Machine |
| 28 | 0423-031 | 2 | | Nut, Speed |
| 29 | 8409-025 | 8 | | Screw, Cap |
| 30 | 0423-117 | 4 | | Screw, Self-Tapping |
| 31 | 0423-116 | 4 | | Screw, Self-Tapping |
| 32 | 0502-106 | 1 | S | Retainer, Axle - Assembly - Right (inc. 11-12, 14-16, and 18-19) |
| 33 | 0502-107 | 1 | /P | Retainer, Axle - Assembly - Left (inc. 13-17 and 19) |

2001 500 GREEN (A2001ATM4AUSG) (ATV 400/500 CC MANUAL TRANSMISSION) Page 3 of 101
 REAR SUSPENSION ASSEMBLY

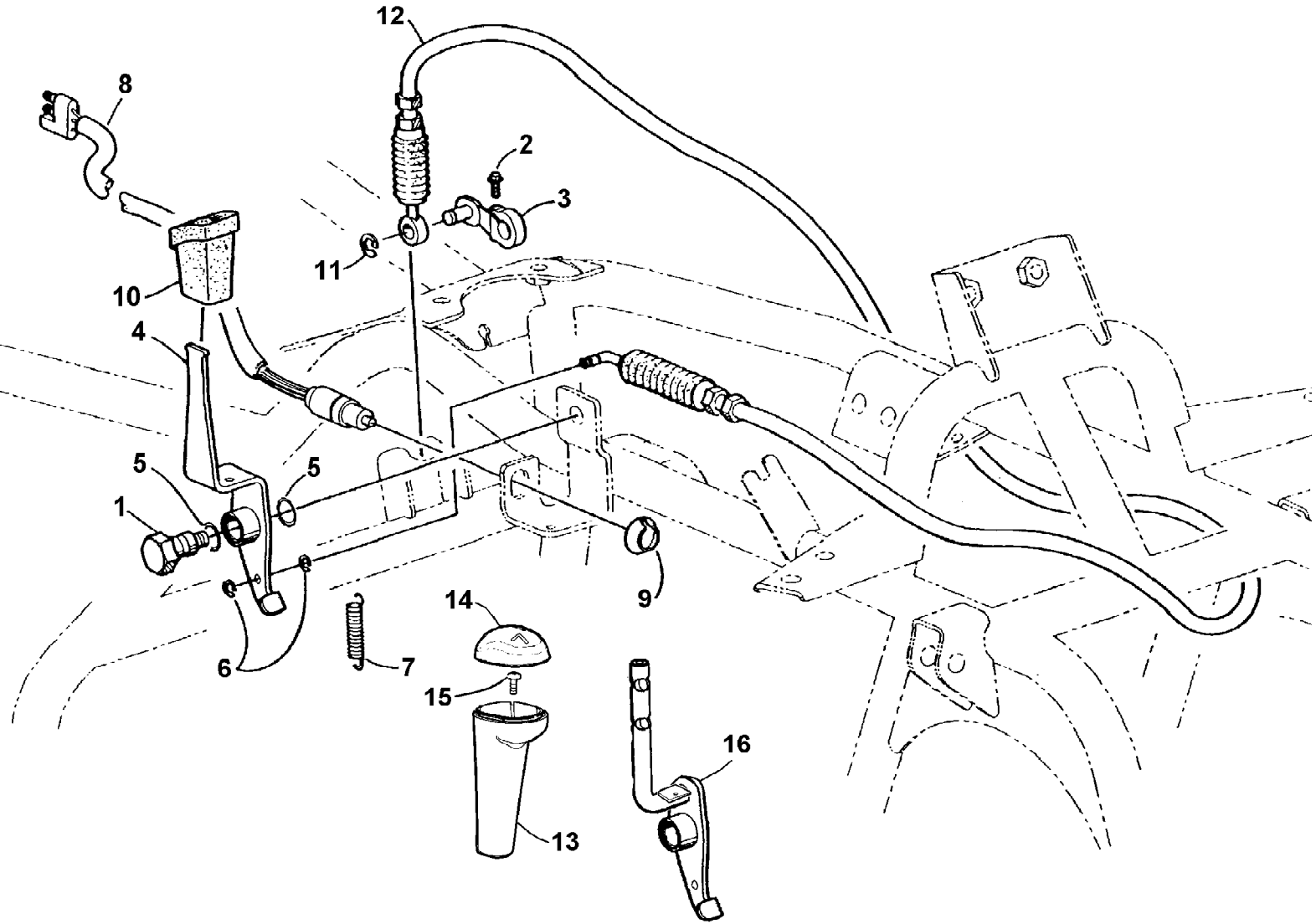
| Ref # | Part Number | Qty | S/P/F | Description |
|-------|-------------|-----|-------|-----------------------------------|
| 1 | 8409-060 | 4 | | Screw, Cap |
| 2 | 8409-000 | 2 | | Screw, Cap |
| 3 | 0504-001 | 3 | | Arm, Swing |
| 4 | 8428-002 | 10 | | Nut, Lock |
| 5 | 0403-013 | 2 | | Washer, Spring Adjustment |
| 6 | 0504-005 | 1 | | Arm, Swing |
| 7 | 0403-027 | 2 | | Retainer, Spring - Lower |
| 8 | 0404-001 | 2 | | Shock Absorber - Rear (inc. 9-10) |
| 9 | 0403-028 | 4 | | Sleeve, Shock Absorber |
| 10 | 0604-310 | 8 | | Bushing, Shock Absorber |
| 11 | 0603-033 | 2 | S | Retainer, Spring |
| 12 | 8409-040 | 4 | | Screw, Cap |
| 13 | 0404-006 | 2 | /P | Spring, Shock Absorber |
| 14 | 0403-025 | 2 | /P | Collar, Spring |



2001 500 GREEN (A2001ATM4AUSG) (ATV 400/500 CC MANUAL TRANSMISSION)
 RECOIL STARTER ASSEMBLY Page 5 of 101

| Ref # | Part Number | Qty | S/P/F | Description |
|-------|-------------|-----|-------|--|
| 1 | 3445-003 | 1 | | Starter, Recoil - Assembly (inc. 2-12) |
| 2 | 3445-004 | 1 | | Reel |
| 3 | 3445-016 | 1 | | Ratchet Assembly (inc. 4 and 6-10) |
| 4 | 0 | 1 | F | Pin, Ratchet |
| 5 | 3445-007 | 1 | | Spring, Spiral |
| 6 | 0 | 1 | F | Spring, Friction |
| 7 | 0 | 1 | F | Shaft |
| 8 | 0 | 1 | F | Cover, Spring |
| 9 | 0 | 1 | F | Plate, Friction |
| 10 | 0 | 1 | F | Guide, Ratchet |
| 11 | 3004-488 | 1 | S/P | Nut |
| 12 | 3445-011 | 1 | | Rope Assembly |
| 13 | 3445-013 | 1 | /P | Gasket |
| 14 | 3423-112 | 4 | S | Screw, Cap |
| 15 | 3445-015 | 1 | | Cup, Starter (400) |
| 15 | 3445-026 | 1 | S | Cup, Starter (500) |
| 16 | 3004-491 | 1 | S/P | Nut |
| 17 | 3423-053 | 1 | /P | O-Ring |

2001 500 GREEN (A2001ATM4AUSG) (ATV 400/500 CC MANUAL TRANSMISSION)
REVERSE SHIFT LEVER ASSEMBLY



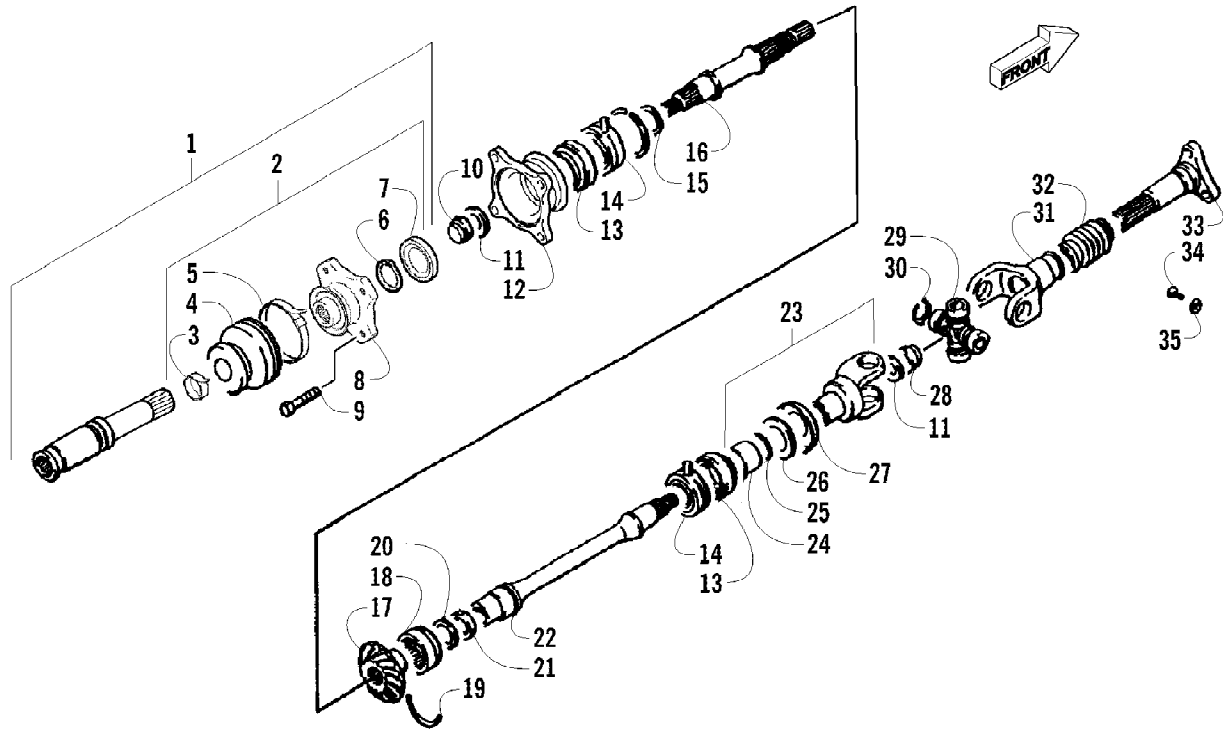
2001 500 GREEN (A2001ATM4AUSG) (ATV 400/500 CC MANUAL TRANSMISSION)
 REVERSE SHIFT LEVER ASSEMBLY Page 7 of 101

| Ref # | Part Number | Qty | S/P/F | Description |
|-------|-------------|-----|-------|-----------------------------------|
| 1 | 0402-239 | 1 | | Axle, Reverse Shift |
| 2 | 8476-620 | 1 | | Screw, Cap |
| 3 | 3446-055 | 1 | | Arm, Reverse Shift |
| 4 | 0502-219 | 1 | S | Lever, Reverse (400) |
| 5 | 0423-096 | 2 | | O-Ring |
| 6 | 0423-063 | 2 | | E-Ring |
| 7 | 0402-802 | 1 | /P | Spring, Reverse Lever |
| 8 | 0409-008 | 1 | | Reverse Switch |
| 9 | 0402-168 | 1 | /P | Retainer, Switch |
| 10 | 0402-062 | 1 | | Handle, Reverse Shift Lever (400) |
| 11 | 3423-168 | 1 | S | E-Ring |
| 12 | 0487-003 | 1 | | Cable, Shift |
| 13 | 0402-508 | 1 | | Handle, Lever - Shift (500) |
| 14 | 0402-782 | 1 | | Cap, Shift Lever (500) |
| 15 | 8477-610 | 1 | | Screw, Machine (500) |
| 16 | 0502-212 | 1 | S | Lever, Reverse (500) |

2001 500 GREEN (A2001ATM4AUSG) (ATV 400/500 CC MANUAL TRANSMISSION)
 SEAT ASSEMBLY Page 9 of 101

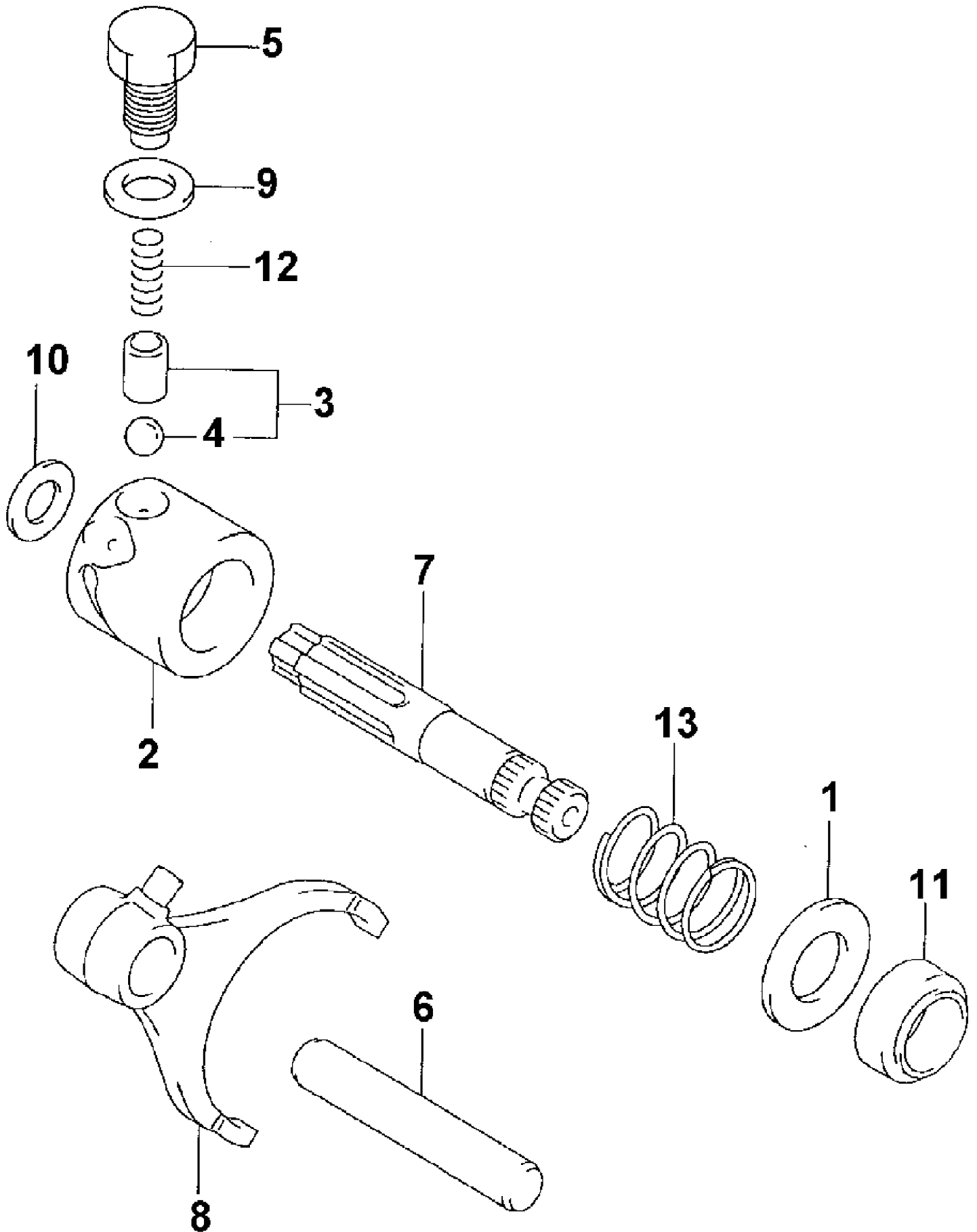
| Ref # | Part Number | Qty | S/P/F | Description |
|-------|-------------|-----|-------|--------------------------------|
| 1 | 5990-176 | 1 | /P | Seat Assembly (inc. 2-8) |
| 2 | 0506-290 | 1 | | Cover, Seat |
| 3 | 0506-291 | 1 | | Foam, Seat |
| 4 | 0506-223 | 1 | /P | Base, Seat Assembly (inc. 5-7) |
| 5 | 0 | 1 | F | Base, Seat |
| 6 | 8061-628 | 4 | | Rivet |
| 7 | 0506-147 | 2 | S | Pin, Seat-Base - Front |
| 8 | 0624-100 | AR | | Staple |
| 9 | 0406-309 | 2 | | Grommet, Seat - Center |
| 10 | 8476-620 | 2 | | Screw, Cap |
| 11 | 0406-235 | 1 | | Spring, Seat Latch |
| 12 | 8050-217 | 2 | /P | Washer |
| 13 | 0406-199 | 2 | | Collar, Front Seat-Base |
| 14 | 0406-171 | 2 | | Bumper, Seat-Base - Front |
| 15 | 0623-404 | 1 | | Cap, Protector |
| 16 | 0406-103 | 1 | S | Latch, Seat - Assembly |
| 17 | 8477-616 | 2 | | Screw, Machine (2X4) |
| 17 | 8476-616 | 2 | | Screw, Machine (4X4) |
| 18 | 0411-182 | 1 | | Decal, Cold Start |

2001 500 GREEN (A2001ATM4AUSG) (ATV 400/500 CC MANUAL TRANSMISSION) of 101
SECONDARY DRIVE ASSEMBLY



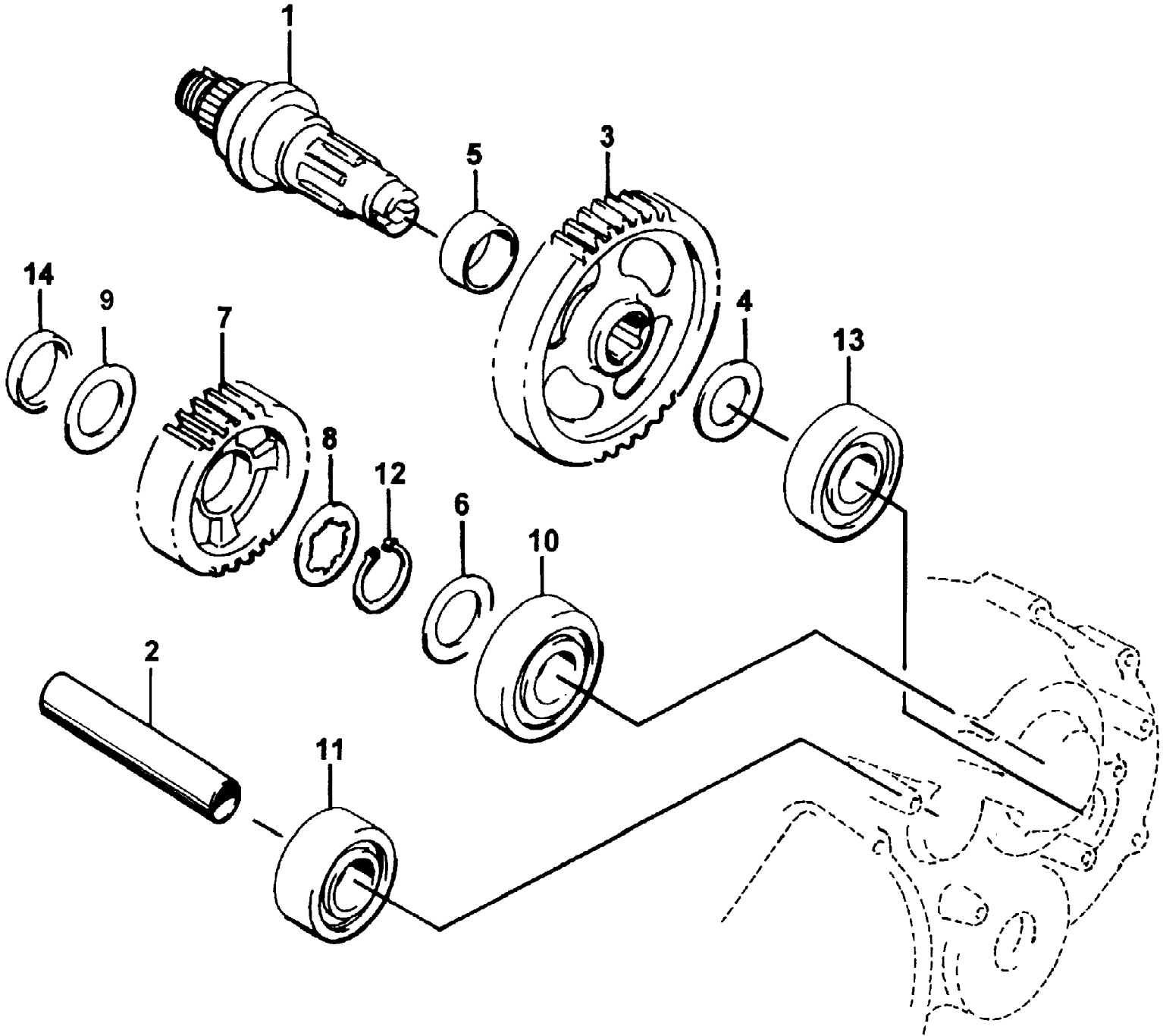
2001 500 GREEN (A2001ATM4AUSG) (ATV 400/500 CC MANUAL TRANSMISSION) of 101
SECONDARY DRIVE ASSEMBLY

| Ref # | Part Number | Qty | S/P/F | Description |
|-------|-------------|-----|-------|--|
| 1 | 3435-010 | 1 | | Joint Assembly, Rear Output (inc. 2-8) |
| 2 | 3435-066 | 1 | | Boot, Joint - Set (inc. 3-7) |
| 3 | 3423-212 | 1 | | Band |
| 4 | 3435-067 | 1 | | Boot |
| 5 | 3423-211 | 1 | | Band |
| 6 | 3423-210 | 1 | | Ring, Snap |
| 7 | 3423-356 | 1 | | Seal, Plate |
| 8 | 0 | 1 | F | Flange, Output |
| 9 | 8408-820 | 4 | /P | Screw, Cap |
| 10 | 3423-025 | 1 | | Nut |
| 11 | 3423-028 | 2 | | Washer |
| 12 | 3435-003 | 1 | S | Flange, Output Joint |
| 13 | 3402-072 | 2 | | Seal, Oil |
| 14 | 3402-067 | 2 | S | Bearing w/ Locating Ring and Pin |
| 15 | 3402-017 | 1 | | Shim - 0.60 mm |
| 15 | 3402-018 | 1 | | Shim - 0.65 mm |
| 15 | 3402-019 | 1 | | Shim - 0.70 mm |
| 15 | 3402-020 | 1 | | Shim - 0.75 mm |
| 15 | 3402-021 | 1 | S | Shim - 0.80 mm |
| 15 | 3402-022 | 1 | | Shim - 0.85 mm |
| 15 | 3402-023 | 1 | | Shim - 0.90 mm |
| 15 | 3402-024 | 1 | | Shim - 0.95 mm |
| 15 | 3402-025 | 1 | S | Shim - 1.00 mm |
| 15 | 3402-028 | 1 | | Shim - 1.05 mm |
| 15 | 3402-029 | 1 | | Shim - 1.10 mm |
| 15 | 3402-030 | 1 | | Shim - 1.15 mm |
| 15 | 3402-031 | 1 | | Shim - 1.20 mm |
| 16 | 3446-240 | 1 | S | Shaft - Rear |
| 17 | 3446-222 | 1 | /P | Gear |
| 18 | 3402-062 | 1 | S | Bearing w/Groove |
| 19 | 3423-072 | 1 | | Ring, Bearing |
| 20 | 3423-137 | 1 | | Washer |
| 21 | 3423-136 | 1 | | Nut |
| 22 | 3446-239 | 1 | | Shaft - Front |
| 23 | 3435-001 | 1 | S | Yoke, Drive Output (inc. 24-27) |
| 24 | 3435-029 | 1 | | Collar, Yoke |
| 25 | 3423-060 | 1 | | O-Ring |
| 26 | 3435-030 | 1 | | Plate, Yoke Collar |
| 27 | 3423-035 | 1 | | Plate, Yoke Collar |
| 28 | 3423-025 | 1 | | Nut |
| 29 | 3435-011 | 1 | | Joint Set, Universal (inc. 30) |
| 30 | 3423-067 | 4 | | Circlip |
| 31 | 3435-002 | 1 | | Yoke, Joint |
| 32 | 3402-518 | 1 | S | Boot, Propeller Shaft |
| 33 | 0502-226 | 1 | | Shaft, Propeller |
| 34 | 3004-552 | 1 | S | Screw, Cap |
| 35 | 3423-135 | 2 | | Retainer |



2001 500 GREEN (A2001ATM4AUSG) (ATV 400/500 CC MANUAL TRANSMISSION)
 SECONDARY GEAR SHIFT ASSEMBLY (500 cc) Page 3 of 101

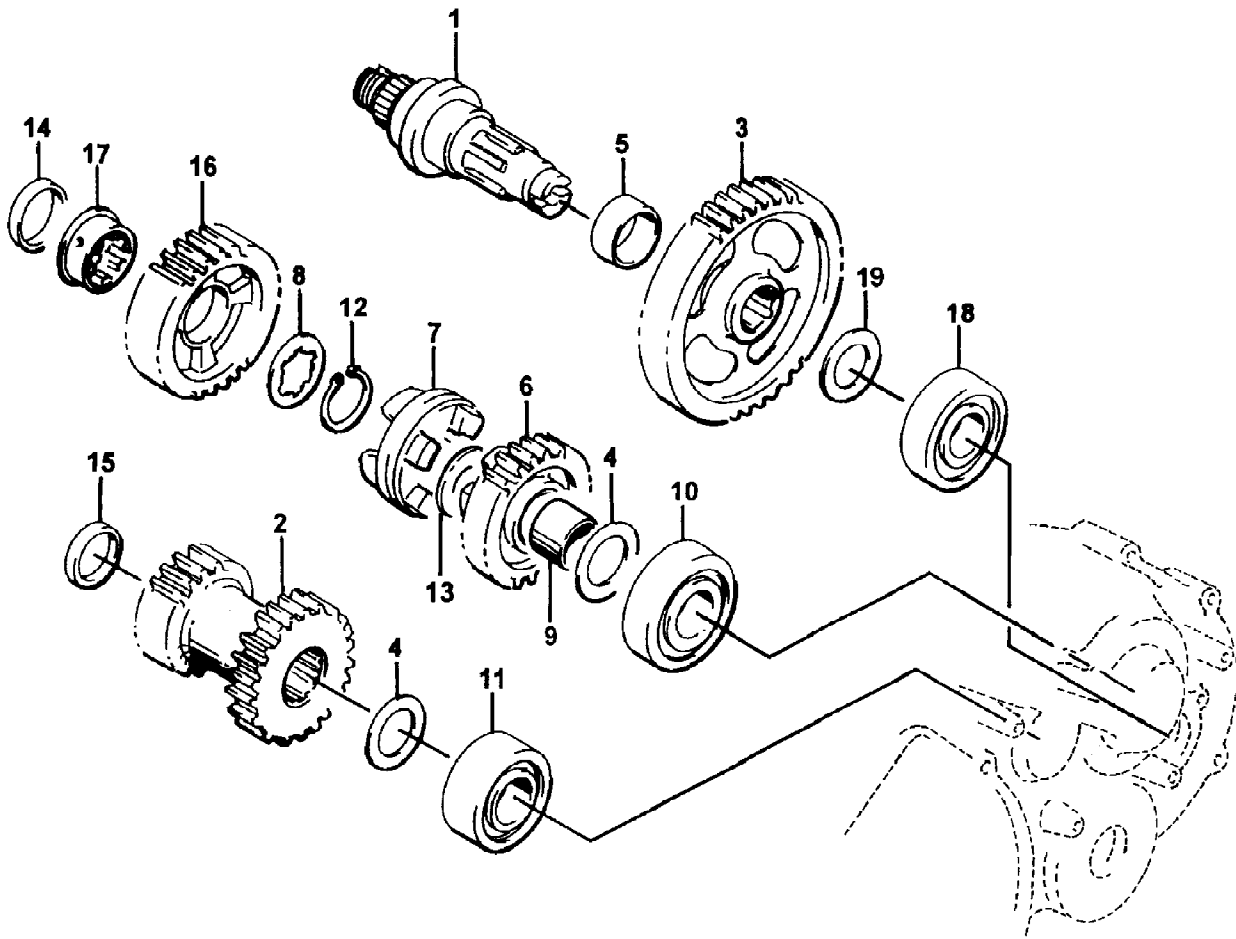
| Ref # | Part Number | Qty | S/P/F | Description |
|-------|-------------|-----|-------|-----------------------|
| 1 | 3423-339 | 1 | | Washer, Cam - Left |
| 2 | 3446-203 | 1 | | Cam, Select |
| 3 | 3446-119 | 1 | /P | Stopper, Cam (inc. 4) |
| 4 | 3446-118 | 1 | | Ball, Steel |
| 5 | 3446-046 | 1 | | Housing, Cam Stopper |
| 6 | 3446-202 | 1 | | Shaft, Shift Fork |
| 7 | 3446-204 | 1 | | Camshaft |
| 8 | 3446-205 | 1 | | Fork, Shift |
| 9 | 3402-012 | 1 | | Gasket, Cam Stopper |
| 10 | 3423-300 | 1 | | Washer, Cam |
| 11 | 3402-076 | 1 | | Seal, Oil - Cam |
| 12 | 3402-089 | 1 | | Spring, Cam Stopper |
| 13 | 3402-311 | 1 | | Spring, Cam |



2001 500 GREEN (A2001ATM4AUSG) (ATV 400/500 CC MANUAL TRANSMISSION)
SECONDARY TRANSMISSION ASSEMBLY (2X4) Page 7 of 101

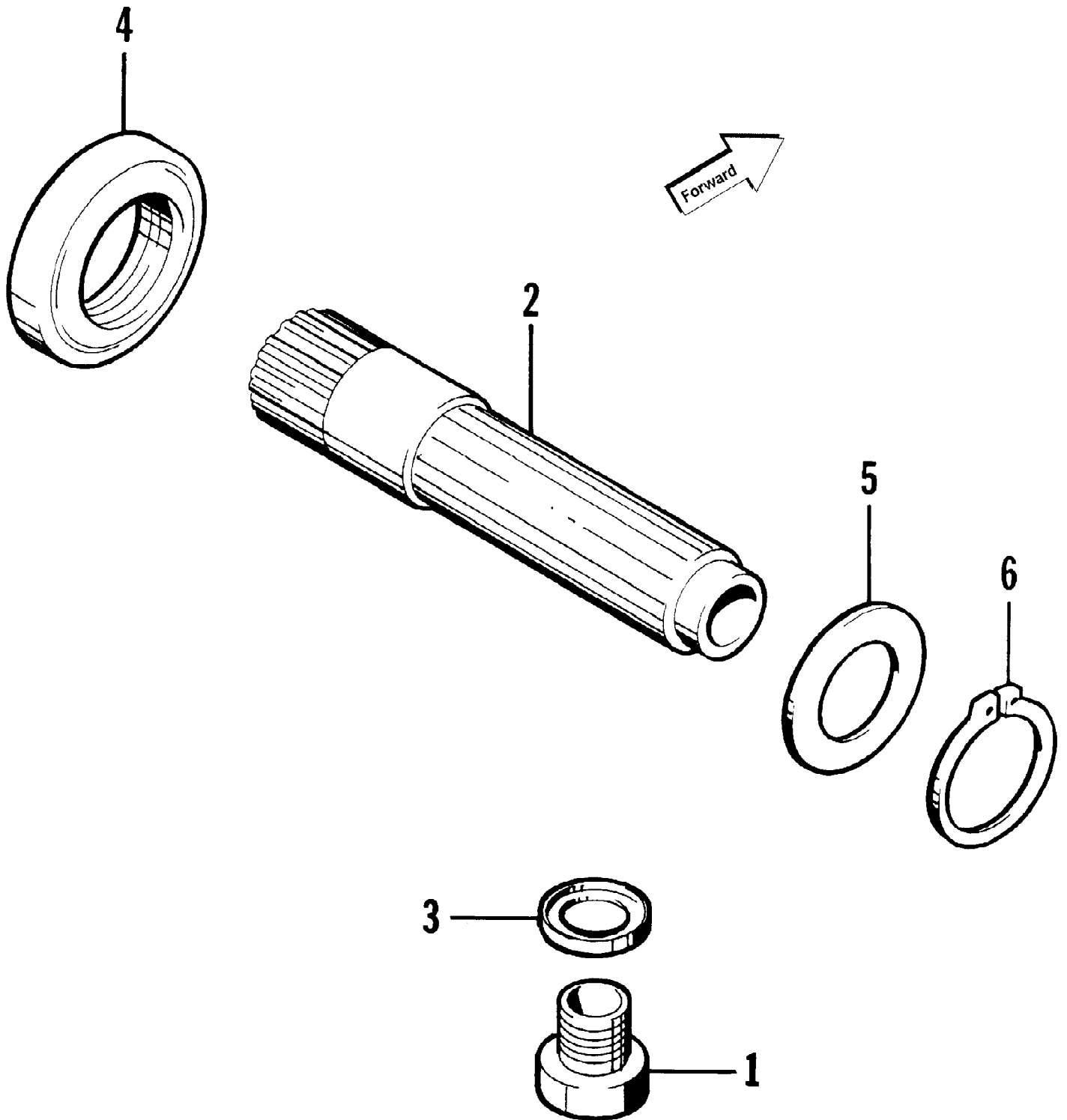
| Ref # | Part Number | Qty | S/P/F | Description |
|-------|-------------|-----|-------|------------------------------|
| 1 | 3446-224 | 1 | S | Shaft, Output |
| 2 | 3446-109 | 1 | | Spacer, Idle Gear |
| 3 | 3446-072 | 1 | | Gear, Driven |
| 4 | 3423-150 | 1 | /P | Washer |
| 5 | 3402-015 | 1 | | Spacer, Drive |
| 6 | 3402-194 | 1 | | Washer |
| 7 | 3446-110 | 1 | | Gear, Drive (No. 1) |
| 8 | 3423-036 | 1 | | Washer |
| 9 | 3423-209 | 1 | | Washer |
| 10 | 3402-046 | 1 | | Bearing, Driveshaft - Left |
| 11 | 3402-047 | 1 | S | Bearing, Center Shaft - Left |
| 12 | 3423-066 | 1 | /P | Circlip |
| 13 | 3402-045 | 1 | /P | Bearing |
| 14 | 3446-068 | 1 | | Spacer |

2001 500 GREEN (A2001ATM4AUSG) (ATV 400/500 CC MANUAL TRANSMISSION)
SECONDARY TRANSMISSION ASSEMBLY (4X4)



2001 500 GREEN (A2001ATM4AUSG) (ATV 400/500 CC MANUAL TRANSMISSION)
 SECONDARY TRANSMISSION ASSEMBLY (4X4) Page 7 of 101

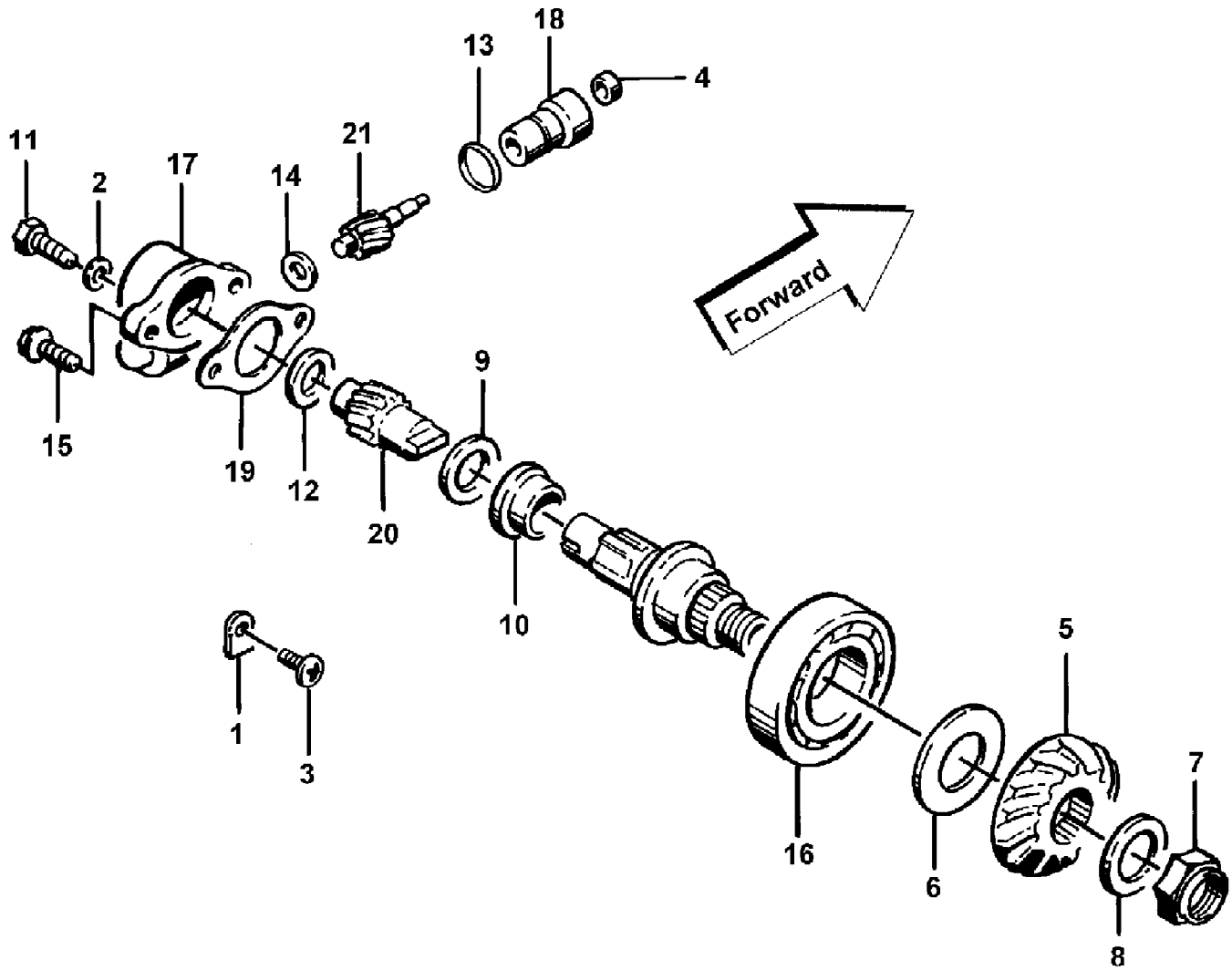
| Ref # | Part Number | Qty | S/P/F | Description |
|-------|-------------|-----|-------|------------------------------|
| 1 | 3446-262 | 1 | /P | Shaft, Output |
| 2 | 3446-066 | 1 | | Gear, Idle |
| 3 | 3446-072 | 1 | | Gear, Driven |
| 4 | 3423-150 | 2 | /P | Washer (400) |
| 4 | 3402-391 | 2 | S | Washer (500) |
| 5 | 3402-015 | 1 | | Spacer, Drive |
| 6 | 3446-070 | 1 | | Gear No. 2 (400) |
| 6 | 3446-248 | 1 | | Gear No. 2 (500) |
| 7 | 3446-108 | 1 | | Dog, Select Sliding (400) |
| 7 | 3446-249 | 1 | | Dog, Select Sliding (500) |
| 8 | 3423-036 | 1 | | Washer |
| 9 | 3446-103 | 1 | | Bushing |
| 10 | 3402-046 | 1 | | Bearing, Driveshaft - Left |
| 11 | 3402-047 | 1 | S | Bearing, Center Shaft - Left |
| 12 | 3423-066 | 1 | /P | Circlip No. 1 |
| 13 | 3423-126 | 1 | /P | Washer, Gear No. 2 (400) |
| 13 | 3402-195 | 1 | | Washer, Gear No. 2 (500) |
| 14 | 3446-068 | 1 | | Spacer (400) |
| 14 | 3446-246 | 1 | | Spacer (500) |
| 15 | 3423-148 | 1 | | Spacer, Idle Gear |
| 16 | 3446-067 | 1 | | Gear No. 1 (400) |
| 16 | 3446-245 | 1 | | Gear No. 1 (500) |
| 17 | 3446-069 | 1 | S | Bushing (400) |
| 17 | 3446-247 | 1 | | Bushing (500) |
| 18 | 3402-045 | 1 | /P | Bearing Set - Left |
| 19 | 3423-150 | 1 | /P | Washer |



2001 500 GREEN (A2001ATM4AUSG) (ATV 400/500 CC MANUAL TRANSMISSION) of 101
SHIFTER ASSEMBLY (2X4)

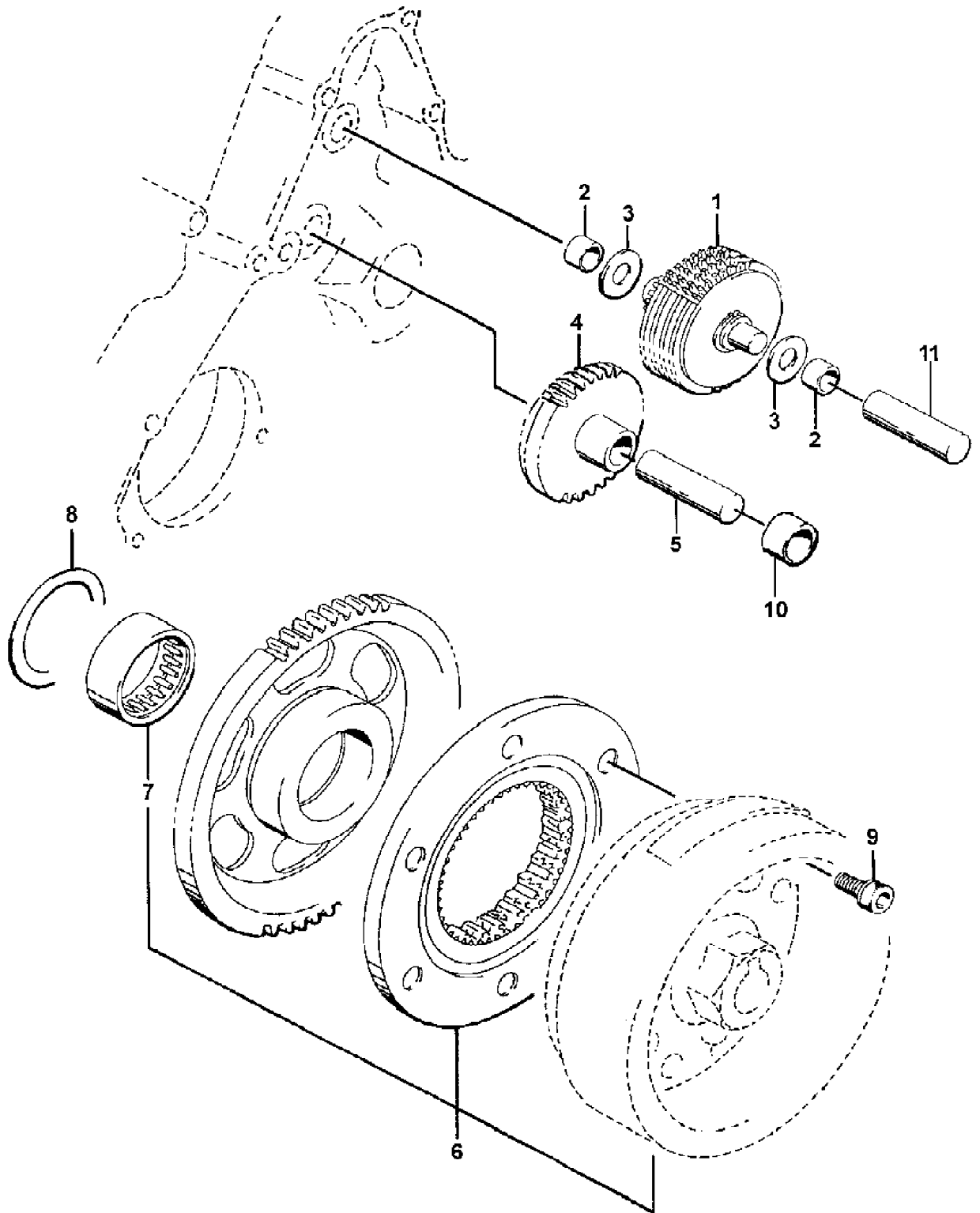
| Ref # | Part Number | Qty | S/P/F | Description |
|-------|-------------|-----|-------|-------------------------|
| 1 | 3446-046 | 1 | | Plug, Oil |
| 2 | 3446-225 | 1 | | Guide, Gear Shift Shaft |
| 3 | 3402-012 | 1 | | Gasket, Oil Plug |
| 4 | 3402-071 | 1 | /P | Seal, Oil |
| 5 | 3005-167 | 1 | | Washer, Thrust |
| 6 | 3423-193 | 1 | S/P | Circlip |

2001 500 GREEN (A2001ATM4AUSG) (ATV 400/500 CC MANUAL TRANSMISSION) of 101
SPEEDOMETER DRIVE ASSEMBLY (4X4)



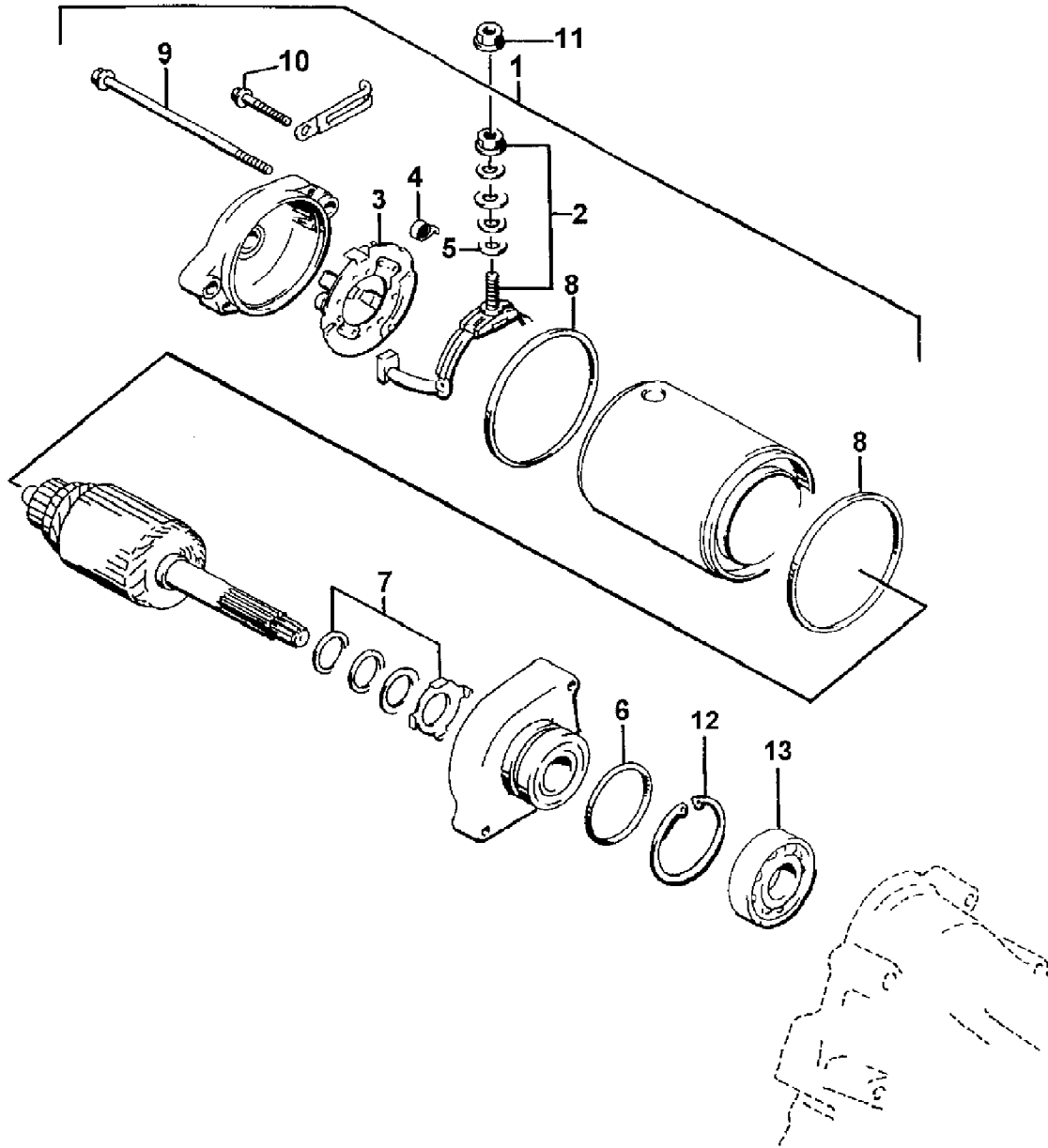
2001 500 GREEN (A2001ATM4AUSG) (ATV 400/500 CC MANUAL TRANSMISSION)
 SPEEDOMETER DRIVE ASSEMBLY (4X4) Page 1 of 101

| Ref # | Part Number | Qty | S/P/F | Description |
|-------|-------------|-----|-------|---------------------------|
| 1 | 3446-031 | 2 | /P | Retainer, Bearing |
| 2 | 3402-009 | 1 | /P | Washer, Drive |
| 3 | 3004-552 | 2 | S | Screw, Retainer |
| 4 | 3402-077 | 1 | | Seal, Driven Gear |
| 5 | 3446-221 | 1 | S | Gear |
| 6 | 3446-035 | 1 | | Shim Set |
| 7 | 3423-023 | 1 | | Nut |
| 8 | 3423-032 | 1 | | Washer |
| 9 | 3423-146 | 1 | | Washer - Right |
| 10 | 3446-114 | 1 | /P | Spacer, Drive Gear |
| 11 | 3423-143 | 1 | S | Bolt, Gear |
| 12 | 3423-145 | 1 | | Washer |
| 13 | 3423-056 | 1 | | O-Ring |
| 14 | 3423-144 | 1 | | Washer |
| 15 | 3423-346 | 2 | S | Bolt, Housing |
| 16 | 3402-180 | 1 | S | Bearing Set - Right |
| 17 | 3446-057 | 1 | | Housing, Speedometer Gear |
| 18 | 3446-058 | 1 | | Sleeve |
| 19 | 3446-244 | 1 | /P | Gasket |
| 20 | 3446-060 | 1 | | Gear, Drive |
| 21 | 3446-061 | 1 | | Gear, Driven |



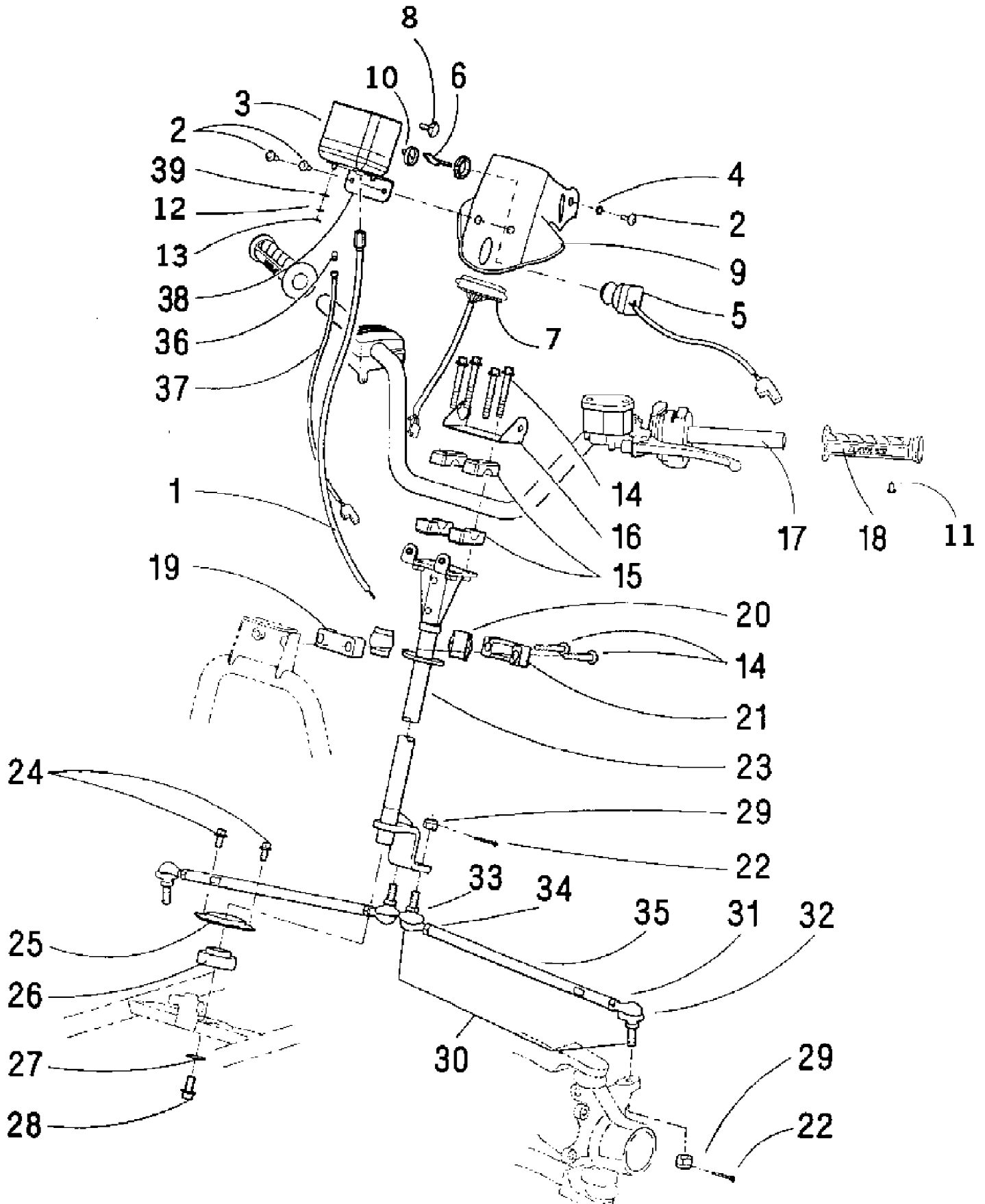
2001 500 GREEN (A2001ATM4AUSG) (ATV 400/500 CC MANUAL TRANSMISSION) 3 of 101
 STARTER CLUTCH ASSEMBLY

| Ref # | Part Number | Qty | S/P/F | Description |
|-------|-------------|-----|-------|--------------------------------------|
| 1 | 3402-344 | 1 | S | Gear, Starter - Idle No.1 (400) |
| 1 | 3402-123 | 1 | | Limiter, Idle Gear - Assembly (500) |
| 2 | 3402-125 | 2 | | Bushing (500) |
| 3 | 3423-103 | 2 | /P | Washer (500) |
| 4 | 3402-124 | 1 | | Gear, Starter Idle No. 2 (400) |
| 4 | 3402-349 | 1 | | Gear, Starter Idle (500) |
| 5 | 3423-042 | 1 | | Pin |
| 6 | 3402-122 | 1 | S | Clutch, Starter - Set (inc. 7) (2X4) |
| 6 | 3402-380 | 1 | /P | Clutch, Starter - Set (inc. 7) |
| 7 | 3402-063 | 1 | | Bearing |
| 8 | 3423-104 | 1 | | Washer |
| 9 | 3423-102 | 6 | S | Screw, Cap |
| 10 | 3423-352 | 1 | | Spacer (500) |
| 11 | 3423-331 | 1 | | Pin (400) |



2001 500 GREEN (A2001ATM4AUSG) (ATV 400/500 CC MANUAL TRANSMISSION)
 STARTER MOTOR ASSEMBLY Page 5 of 101

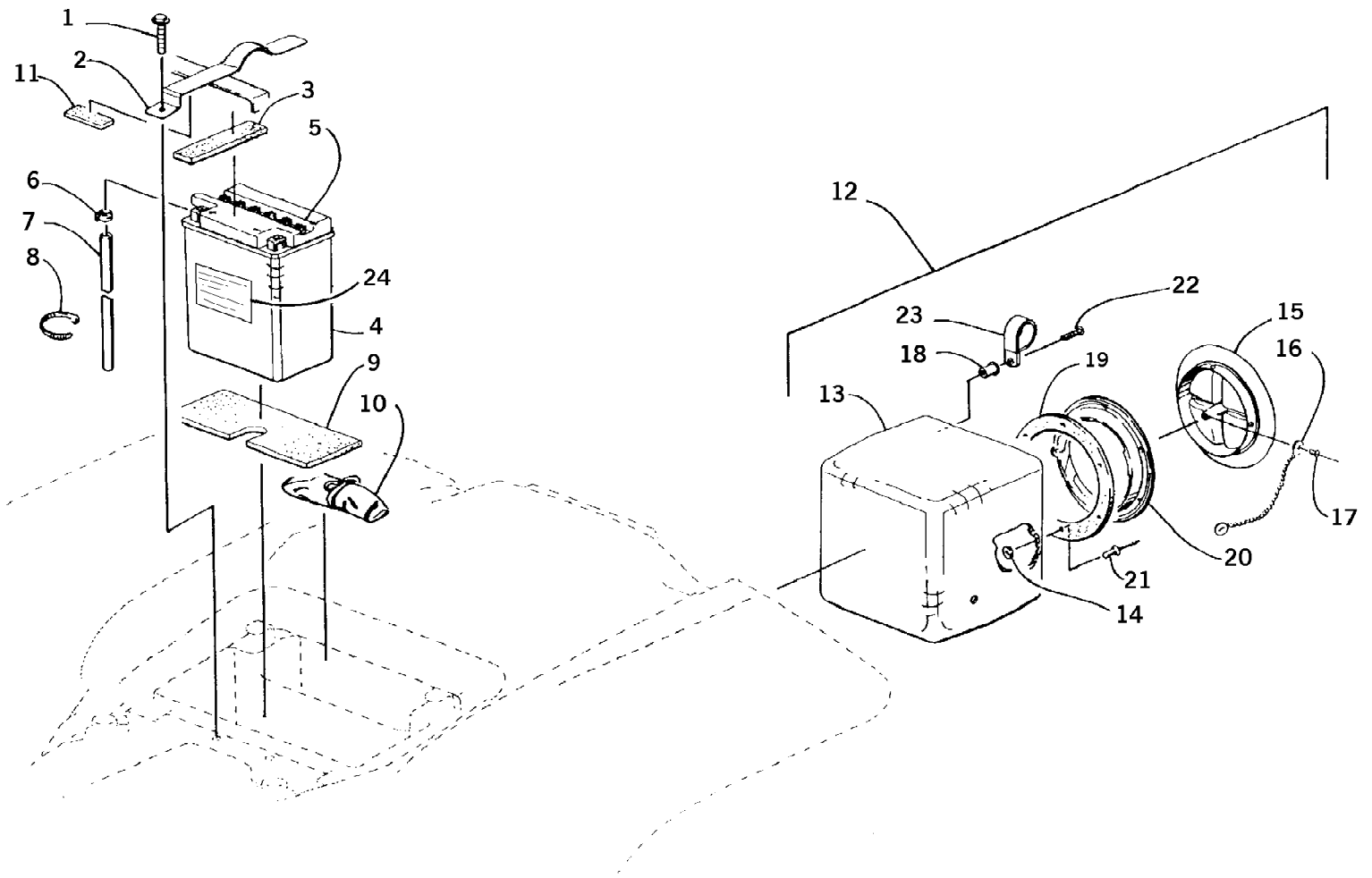
| Ref # | Part Number | Qty | S/P/F | Description |
|-------|-------------|-----|-------|--|
| 1 | 3545-012 | 1 | S | Motor, Starter Assembly (inc. 2-9) (400) |
| 1 | 3545-014 | 1 | /P | Motor, Starter Assembly (inc. 2-9) (500) |
| 2 | 3008-094 | 1 | /P | Terminal Set, Brush |
| 3 | 3008-095 | 1 | /P | Holder Set, Brush |
| 4 | 3008-096 | 4 | | Spring, Brush |
| 5 | 3008-164 | 1 | | O-Ring |
| 6 | 3423-084 | 1 | | O-Ring |
| 7 | 3436-001 | 1 | | Washer Set |
| 8 | 3008-553 | 2 | /P | O-Ring |
| 9 | 3423-085 | 2 | | Screw, Cap |
| 10 | 3423-162 | 2 | S | Screw, Cap |
| 11 | 3423-195 | 1 | /P | Nut |
| 12 | 3423-201 | 1 | /P | Circlip |
| 13 | 3402-043 | 1 | /P | Bearing, Pinion Shaft |



2001 500 GREEN (A2001ATM4AUSG) (ATV 400/500 CC MANUAL TRANSMISSION) Page 7 of 101
STEERING ASSEMBLY

| Ref # | Part Number | Qty | S/P/F | Description |
|-------|-------------|-----|-------|--------------------------------------|
| 1 | 0487-005 | 1 | | Cable, Speedometer (4X4) |
| 2 | 8477-616 | 3 | | Screw, Machine |
| 3 | 0420-031 | 1 | /P | Speedometer (inc. 36-41) (4X4) |
| 4 | 0423-052 | 1 | | Collar, Body |
| 5 | 3430-040 | 1 | | Switch, Ignition - Assembly (inc. 6) |
| 6 | 3409-007 | 1 | /P | Key, Ignition - Blank (C Series) |
| 6 | 3409-011 | 1 | | Key, Ignition - Blank (D Series) |
| 6 | 3409-012 | 1 | | Key, Ignition - Blank (E Series) |
| 6 | 3409-013 | 1 | | Key, Ignition - Blank (F Series) |
| 7 | 0420-022 | 1 | S | Panel, LED (400 4x4/500) |
| 7 | 0420-029 | 1 | S | Panel, LED (400 2x4) |
| 8 | 0420-027 | 1 | | Knob, Speedometer Trip |
| 9 | 0405-063 | 1 | | Instrument Pod |
| 10 | 0409-013 | 1 | | Cover, Key |
| 11 | 8060-428 | 2 | | Rivet |
| 12 | 0420-017 | 2 | | Washer (4X4) |
| 13 | 0420-015 | 2 | | Pin, Retainer (4X4) |
| 14 | 8408-860 | 6 | | Screw, Cap |
| 15 | 0405-035 | 4 | | Cap, Steering Adjuster |
| 16 | 0506-348 | 1 | /P | Bracket, Ignition Switch |
| 17 | 0505-028 | 1 | S | Tube, Handlebar |
| 18 | 0405-039 | 2 | /P | Grip, Handlebar |
| 19 | 0605-171 | 1 | | Housing, Bearing - Lower |
| 20 | 0405-020 | 2 | | Bearing, Steering Post |
| 21 | 0605-147 | 1 | S | Housing, Bearing - Upper |
| 22 | 0623-175 | 4 | | Pin, Cotter |
| 23 | 0505-073 | 1 | S | Post, Steering |
| 24 | 8408-816 | 2 | | Screw, Cap |
| 25 | 0602-233 | 1 | | Flange, Bearing |
| 26 | 0405-052 | 1 | | Bearing w/Inverted Oil Seal |
| 27 | 0423-073 | 1 | | Washer |
| 28 | 8409-020 | 1 | /P | Screw, Cap |
| 29 | 0423-157 | 4 | | Nut, Top Lock |
| 30 | 0505-072 | 2 | /P | Tie Rod, Assembly (inc. 31-35) |
| 31 | 8420-002 | 2 | /P | Nut - Right |
| 32 | 0405-082 | 2 | S | Ball Joint, Tie Rod - Right |
| 33 | 0405-083 | 2 | S | Ball Joint, Tie Rod - Left |
| 34 | 0423-013 | 2 | | Nut - Left |
| 35 | 0405-032 | 2 | | Tie Rod |
| 36 | 0420-019 | 1 | S | Bulb, Speedometer |
| 37 | 0420-014 | 1 | | Harness, Speedometer (4X4) |
| 38 | 0420-018 | 1 | | Bracket, Speedometer (4X4) |
| 39 | 0420-016 | 2 | | Mount, Rubber (4X4) |

2001 500 GREEN (A2001ATM4AUSG) (ATV 400/500 CC MANUAL TRANSMISSION)
STORAGE BOX AND BATTERY ASSEMBLY

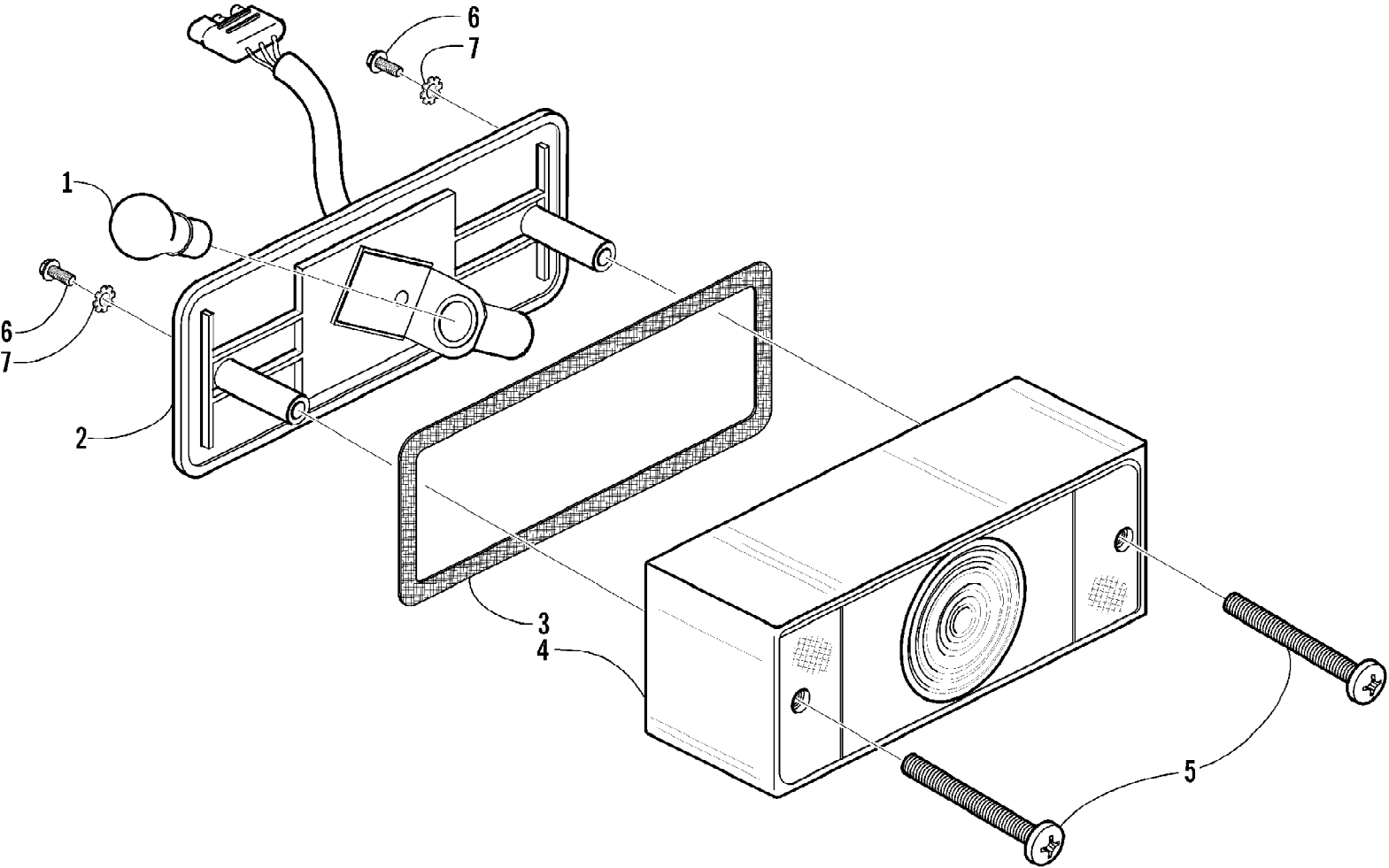


2001 500 GREEN (A2001ATM4AUSG) (ATV 400/500 CC MANUAL TRANSMISSION)
STORAGE BOX AND BATTERY ASSEMBLY

Page 89 of 101

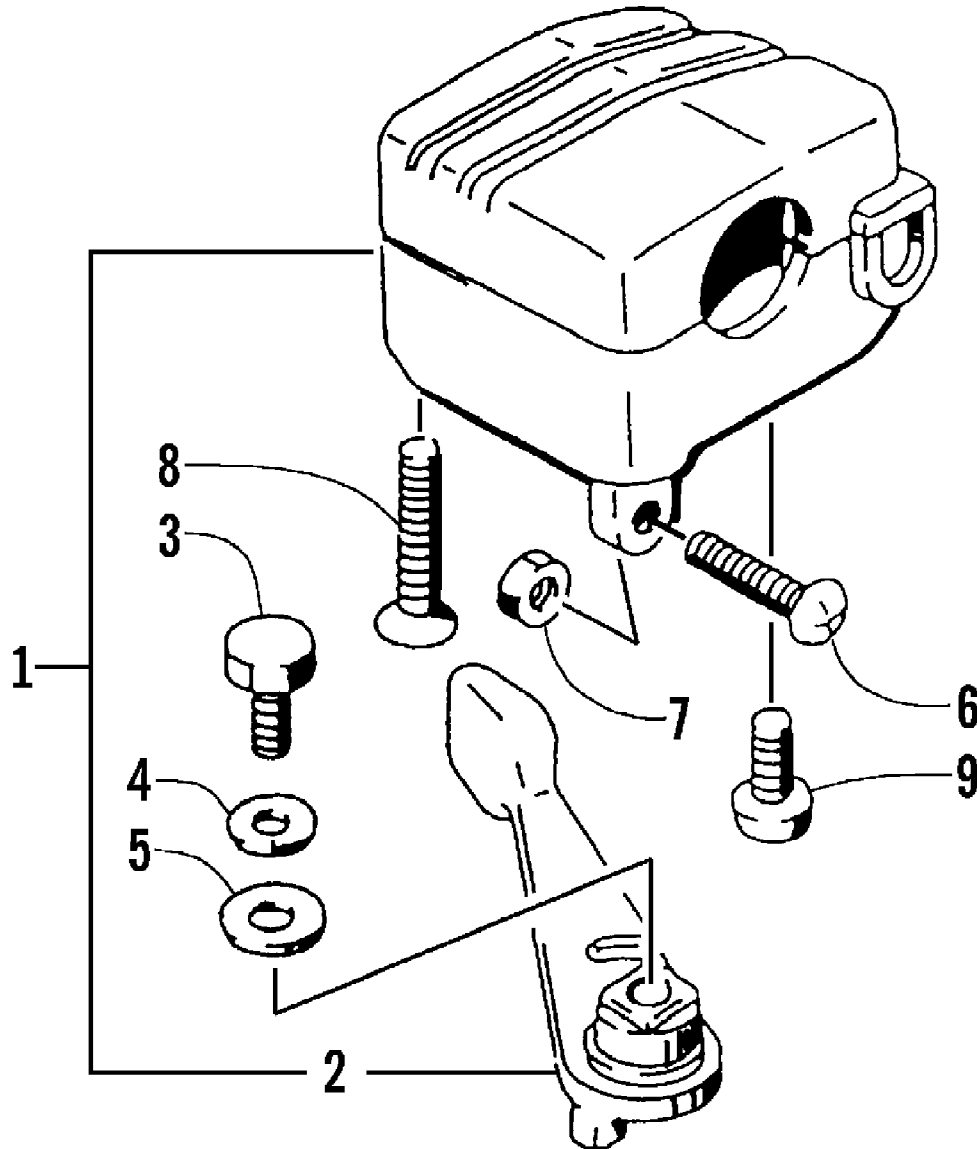
| Ref # | Part Number | Qty | S/P/F | Description |
|-------|-------------|-----|-------|---|
| 1 | 8476-616 | 1 | | Screw, Machine |
| 2 | 0506-178 | 1 | | Strap, Battery w/Pads (inc. 3 and 11) |
| 3 | 0406-289 | 1 | | Pad, Battery - Upper Rear |
| 4 | 0445-005 | 1 | S | Battery Assembly (inc. 5-7) |
| 5 | 0645-045 | 6 | | Cap, Battery |
| 6 | 0645-152 | 1 | | Clamp, Hose |
| 7 | 0645-263 | 1 | /P | Hose, Battery Vent |
| 8 | 0123-903 | 1 | | Cable Tie - 11.5 in. |
| 9 | 0406-227 | 1 | | Pad, Battery - Lower |
| 10 | 0444-079 | 1 | S/P | Kit, Tool |
| 11 | 0406-288 | 1 | | Pad, Battery - Upper Front |
| 12 | 0506-102 | 1 | /P | Storage Box - Assembly (inc. 13-21) (4X4) |
| 13 | 0406-257 | 1 | S | Box, Tool (4X4) |
| 14 | 8050-152 | 6 | | Washer (4X4) |
| 15 | 0406-208 | 1 | | Lid, Tool Box (4X4) |
| 16 | 0773-401 | 1 | | Chain, Storage (4X4) |
| 17 | 8061-223 | 2 | /P | Rivet (4X4) |
| 18 | 0123-010 | 4 | /P | Nut, Expansion (4X4) |
| 19 | 0673-973 | 1 | | Seal, Storage Cover (4X4) |
| 20 | 0406-205 | 1 | /P | Ring, Mounting - Storage Box Lid (4X4) |
| 21 | 8060-630 | 6 | | Rivet (4X4) |
| 22 | 0623-301 | 4 | /P | Screw, Self-Tapping |
| 23 | 0423-044 | 4 | | Clamp, Tube (4X4) |
| 24 | 0645-151 | 1 | | Decal, Warning - Battery |

2001 500 GREEN (A2001ATM4AUSG) (ATV 400/500 CC MANUAL TRANSMISSION) of 101
TAILLIGHT ASSEMBLY



2001 500 GREEN (A2001ATM4AUSG) (ATV 400/500 CC MANUAL TRANSMISSION)
TAILLIGHT ASSEMBLY Page 1 of 101

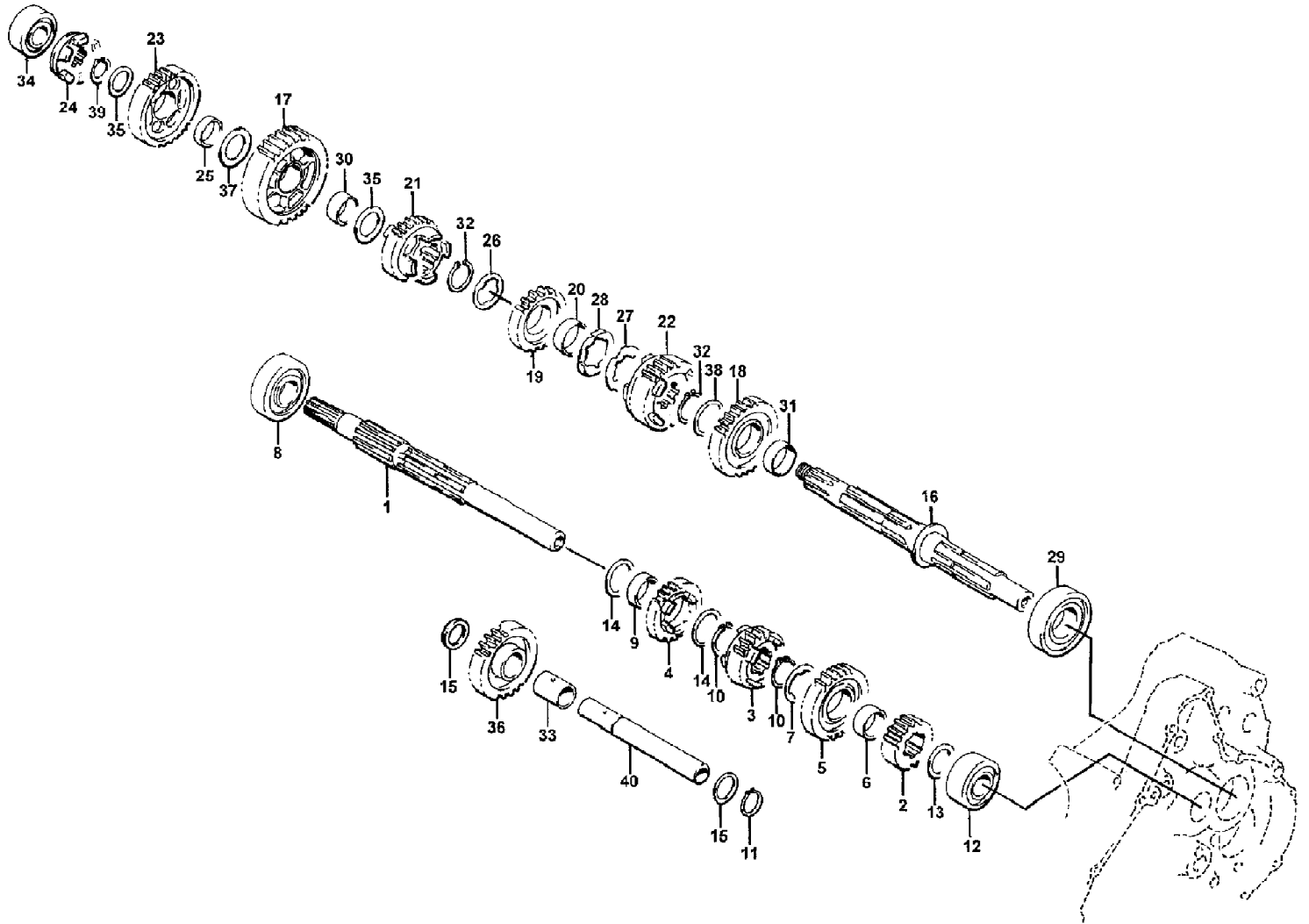
| Ref # | Part Number | Qty | S/P/F | Description |
|-------|-------------|-----|-------|-------------------------------|
| | 0409-002 | 1 | | Complete Taillight Assembly |
| 1 | 0109-460 | 1 | /P | Bulb, Stop/Taillight |
| 2 | 0409-011 | 1 | | Taillight w/Socket Assembly |
| 3 | 0409-012 | 1 | | Gasket, Taillight Lens |
| 4 | 0409-007 | 1 | | Lens, Taillight |
| 5 | 0409-010 | 2 | | Screw, Machine |
| 6 | 0623-301 | 2 | /P | Screw, Self-Tapping |
| 7 | 8053-212 | 2 | /P | Washer, Lock - External Tooth |



2001 500 GREEN (A2001ATM4AUSG) (ATV 400/500 CC MANUAL TRANSMISSION)
THROTTLE CONTROL ASSEMBLY Page 3 of 101

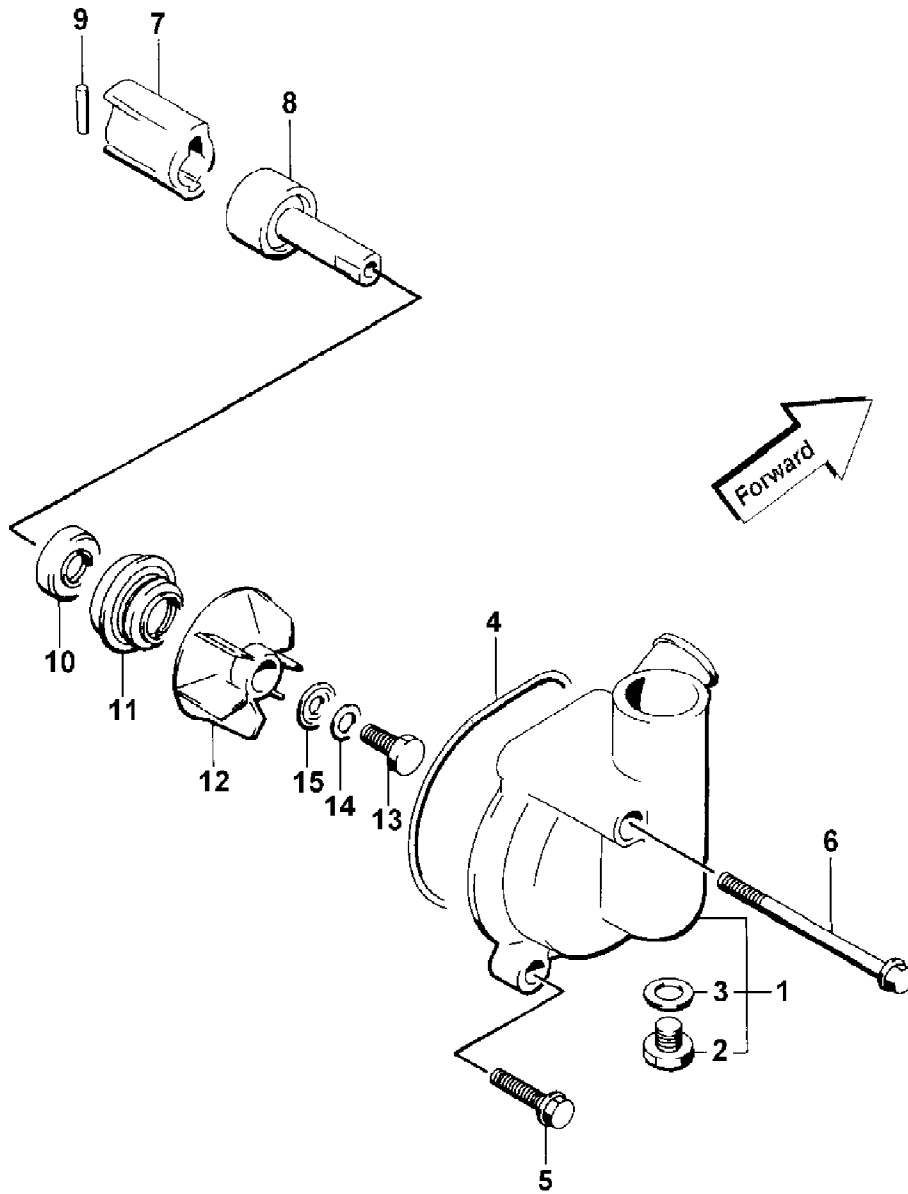
| Ref # | Part Number | Qty | S/P/F | Description |
|-------|-------------|-----|-------|---|
| 1 | 3509-003 | 1 | /P | Control, Throttle - Assembly (inc. 2-9) |
| 2 | 3409-001 | 1 | | Lever |
| 3 | 3004-533 | 1 | S/P | Screw, Cap |
| 4 | 3004-447 | 1 | /P | Washer, Lock |
| 5 | 3003-030 | 1 | /P | Washer |
| 6 | 3423-014 | 1 | | Screw |
| 7 | 3423-327 | 1 | | Nut |
| 8 | 3423-199 | 2 | | Screw |
| 9 | 3004-638 | 1 | /P | Screw |

2001 500 GREEN (A2001ATM4AUSG) (ATV 400/500 CC MANUAL TRANSMISSION ASSEMBLY) 1 of 101



2001 500 GREEN (A2001ATM4AUSG) (ATV 400/500 CC MANUAL TRANSMISSION) Page 5 of 101
TRANSMISSION ASSEMBLY

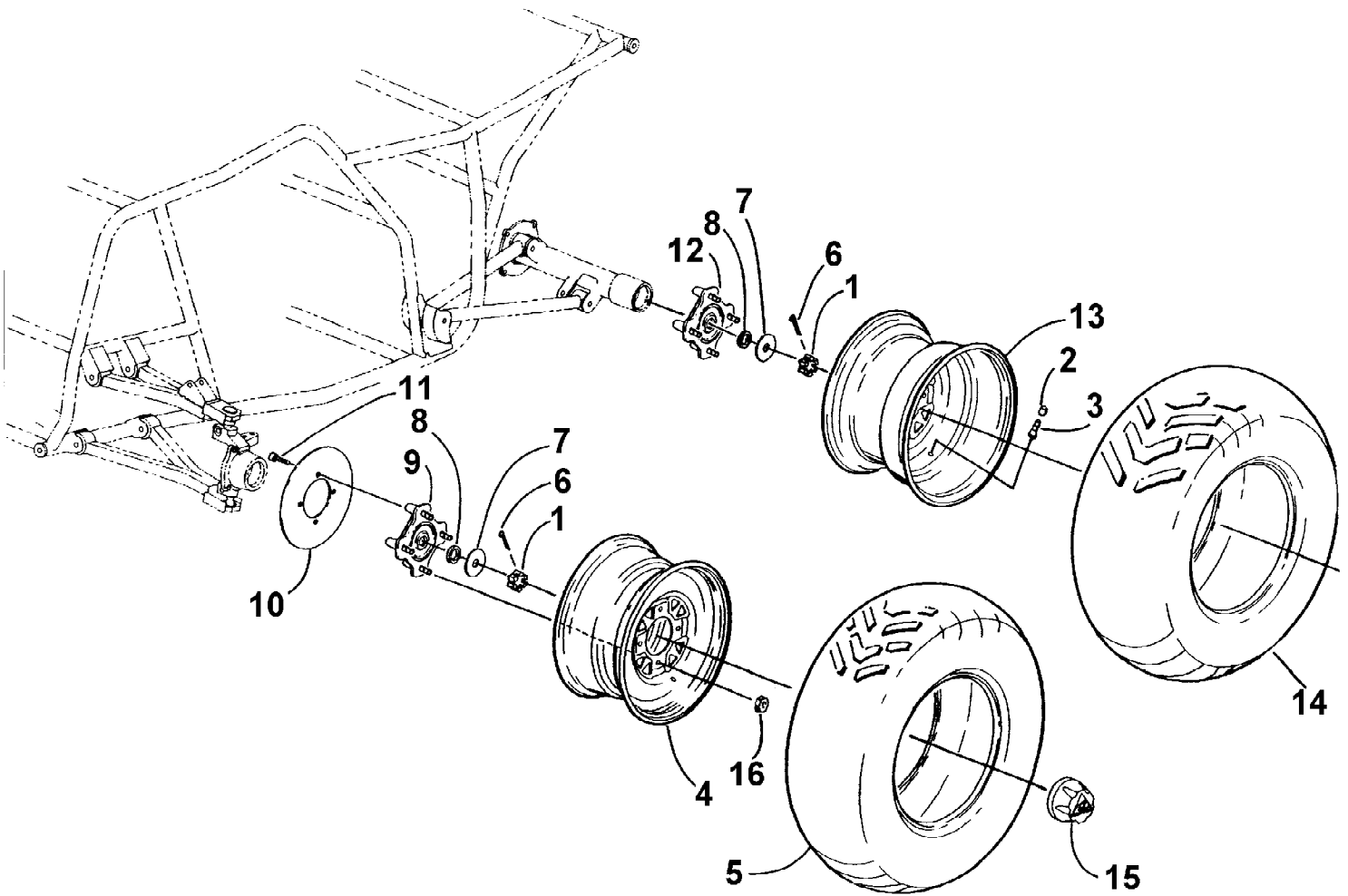
| Ref # | Part Number | Qty | S/P/F | Description |
|-------|-------------|-----|-------|-------------------------------|
| 1 | 3446-014 | 1 | | Countershaft |
| 2 | 3446-016 | 1 | | Gear, 2nd Drive |
| 3 | 3446-215 | 1 | | Gear, 3rd Drive |
| 4 | 3446-018 | 1 | | Gear, 4th Drive |
| 5 | 3446-216 | 1 | | Gear, 5th Drive |
| 6 | 3446-020 | 1 | | Bushing, 5th Drive Gear |
| 7 | 3423-037 | 1 | | Washer, 5th Drive Gear |
| 8 | 3402-050 | 1 | | Bearing, Center Shaft - Right |
| 9 | 3402-081 | 1 | | Bushing, 4th Drive Gear |
| 10 | 3423-066 | 2 | /P | Circlip, 4th Drive |
| 11 | 3423-190 | 1 | S | Circlip, Reverse Idle |
| 12 | 3402-179 | 1 | | Bearing, Center Shaft |
| 13 | 3402-195 | 1 | | Shim |
| 14 | 3423-187 | 2 | /P | Washer, 4th Drive |
| 15 | 3423-126 | 2 | /P | Washer, Reverse Idle |
| 16 | 3446-015 | 1 | | Driveshaft (400) |
| 16 | 3446-234 | 1 | | Driveshaft (500) |
| 17 | 3446-217 | 1 | S | Gear, 1st Driven (400) |
| 17 | 3446-235 | 1 | /P | Gear, 1st Driven (500) |
| 18 | 3446-022 | 1 | | Gear, 2nd Driven |
| 19 | 3446-218 | 1 | | Gear, 3rd Driven |
| 20 | 3446-024 | 1 | | Bushing, 3rd Driven |
| 21 | 3446-219 | 1 | /P | Gear, 4th Driven |
| 22 | 3446-220 | 1 | | Gear, 5th Driven |
| 23 | 3446-029 | 1 | | Gear, Reverse Driven |
| 24 | 3446-030 | 1 | | Dog, Reverse |
| 25 | 3446-032 | 1 | | Bushing, Reverse Driven |
| 26 | 3423-038 | 1 | | Washer, 3rd Driven - Right |
| 27 | 3423-039 | 1 | | Washer, 3rd Driven - Left |
| 28 | 3423-040 | 1 | | Washer, 3rd Driven - Left |
| 29 | 3402-336 | 1 | | Bearing, Driveshaft |
| 30 | 3402-080 | 1 | S | Bushing, 1st Driven |
| 31 | 3402-082 | 1 | | Bushing, 2nd Driven |
| 32 | 3423-188 | 2 | S | Circlip, 2nd Driven |
| 33 | 3446-238 | 1 | | Bushing, Reverse Idle |
| 34 | 3003-320 | 1 | /P | Bearing, Driveshaft - Right |
| 35 | 3402-335 | 2 | | Washer, Reverse Driven |
| 36 | 3446-237 | 1 | | Gear, Reverse Idle |
| 37 | 3423-131 | 1 | | Washer, 1st Driven - Right |
| 38 | 3003-605 | 1 | /P | Washer, 2nd Driven (400) |
| 38 | 3402-383 | 1 | | Washer, 2nd Driven (500) |
| 39 | 3423-189 | 1 | S | Circlip, Reverse Driven |
| 40 | 3446-236 | 1 | | Shaft, Reverse Idle |



2001 500 GREEN (A2001ATM4AUSG) (ATV 400/500 CC MANUAL TRANSMISSION)
 WATER PUMP ASSEMBLY Page 7 of 101

| Ref # | Part Number | Qty | S/P/F | Description |
|-------|-------------|-----|-------|-----------------------------------|
| 1 | 3402-159 | 1 | S | Case, Water Pump (inc. 2-3) (400) |
| 1 | 3402-354 | 1 | /P | Case, Water Pump (inc. 2-3) (500) |
| 2 | 3423-185 | 1 | | Screw, Cap (400) |
| 2 | 3423-343 | 1 | | Screw, Cap (500) |
| 3 | 3003-188 | 1 | S/P | Gasket |
| 4 | 3423-078 | 1 | | O-Ring |
| 5 | 3004-507 | 2 | S | Screw, Cap |
| 6 | 3423-119 | 1 | S | Screw, Cap |
| 7 | 3413-010 | 1 | S/P | Joint, Pump Drive (400) |
| 7 | 3413-011 | 1 | /P | Joint, Pump Drive (500) |
| 8 | 3413-002 | 1 | | Shaft, Water Pump w/Bearing |
| 9 | 3423-046 | 1 | | Pin |
| 10 | 3003-356 | 1 | | Seal, Pump Drive |
| 11 | 3402-360 | 1 | S | Seal, Mechanical |
| 12 | 3413-001 | 1 | | Impeller |
| 13 | 3003-426 | 1 | | Screw, Cap |
| 14 | 3003-431 | 1 | /P | Washer |
| 15 | 3003-432 | 1 | | Gasket |

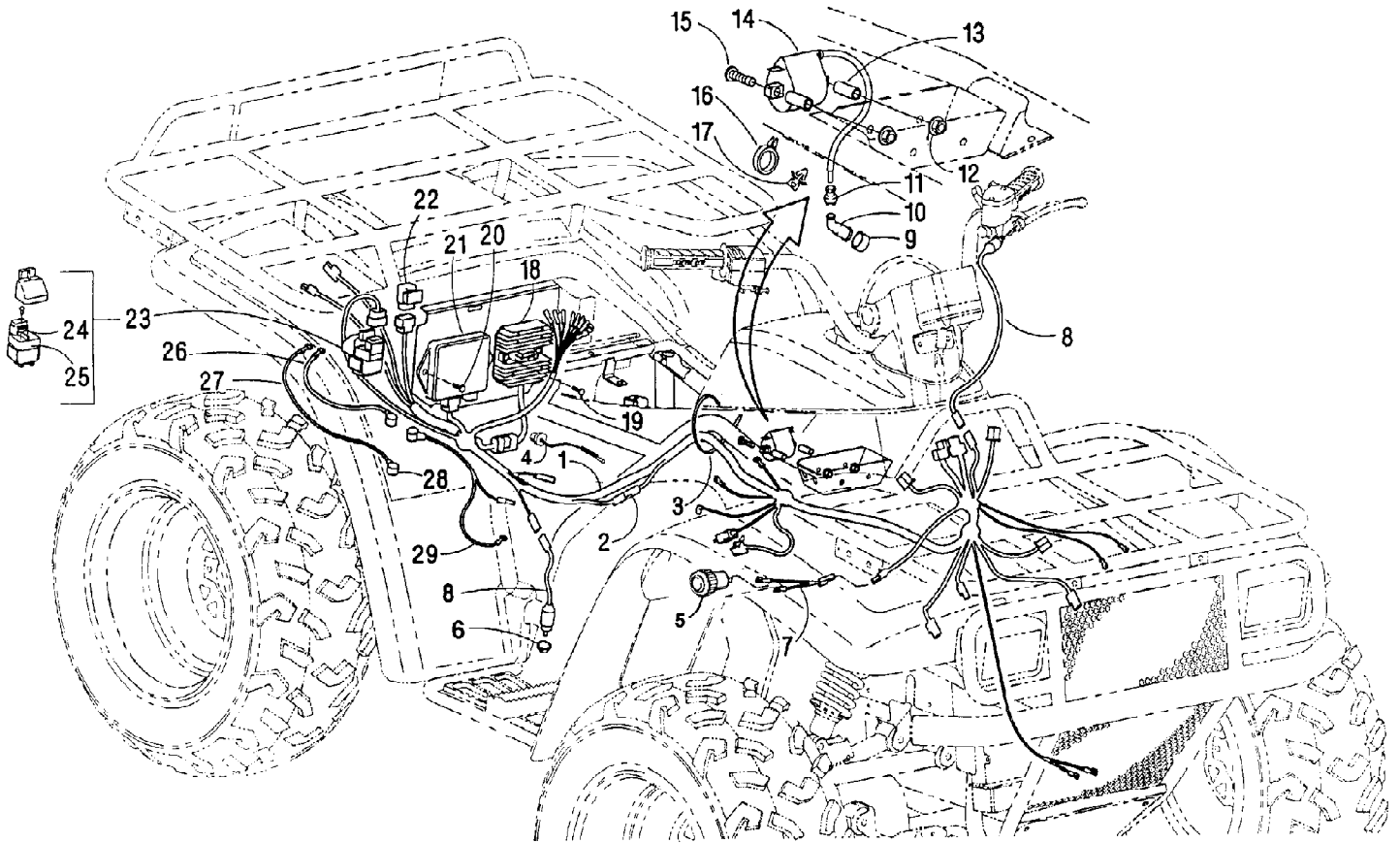
2001 500 GREEN (A2001ATM4AUSG) (ATV 400/500 CC MANUAL TRANSMISSION) 8 of 101
WHEEL AND TIRE ASSEMBLY



2001 500 GREEN (A2001ATM4AUSG) (ATV 400/500 CC MANUAL TRANSMISSION) Page 9 of 101
 WHEEL AND TIRE ASSEMBLY

| Ref # | Part Number | Qty | S/P/F | Description |
|-------|-------------|-----|-------|--------------------------|
| 1 | 3423-213 | 4 | | Nut, Hex |
| 2 | 0402-140 | 4 | | Cap, Valve Stem |
| 3 | 0402-064 | 4 | | Stem, Valve |
| 4 | 0402-657 | 2 | | Wheel - Front |
| 5 | 0402-318 | 2 | /P | Tire - Front (400) |
| 5 | 0402-319 | 2 | /P | Tire - Front (500) |
| 6 | 0123-458 | 4 | /P | Pin, Cotter |
| 7 | 0423-080 | 4 | | Washer |
| 8 | 0402-181 | 4 | | Seal, Hub |
| 9 | 0502-168 | 2 | S | Hub, Wheel - Front (2X4) |
| 9 | 0502-166 | 2 | S | Hub, Wheel - Front (4X4) |
| 10 | 0402-482 | 3 | S | Disc, Brake |
| 11 | 0423-029 | 12 | | Screw, Machine |
| 12 | 0 | 2 | F | Hub, Wheel - Rear |
| 13 | 0402-753 | 2 | | Wheel - Rear |
| 14 | 0402-319 | 2 | /P | Tire - Rear |
| 15 | 0403-035 | 2 | /P | Cap, Wheel - Center |
| 16 | 0423-120 | 16 | | Nut, Mounting - Wheel |

2001 500 GREEN (A2001ATM4AUSG) (ATV 400/500 CC MANUAL TRANSMISSION) of 101
WIRING HARNESS ASSEMBLY



2001 500 GREEN (A2001ATM4AUSG) (ATV 400/500 CC MANUAL TRANSMISSION) Page 101 of 101
 WIRING HARNESS ASSEMBLY

| Ref # | Part Number | Qty | S/P/F | Description |
|-------|-------------|-----|-------|---|
| 1 | 0486-042 | 1 | | Harness, Main |
| 1 | 0486-073 | 1 | | Harness, Main (Vehicle Identification Number S91T306171 and Up) |
| 2 | 0486-029 | 1 | | Diode (Start in Gear) |
| 3 | 0123-903 | AR | | Cable Tie - 11.5 in. |
| 4 | 0586-003 | 1 | | Diode Assembly |
| 5 | 0445-022 | 1 | S | Receptacle, 12V (4X4) |
| 6 | 0402-168 | 1 | /P | Retainer, Switch |
| 7 | 0486-004 | 1 | | Harness, 12V Receptacle (4X4) |
| 8 | 0409-009 | 2 | | Switch, Brake - Assembly |
| 9 | 3430-008 | 1 | /P | Seal, Spark Plug |
| 10 | 3430-007 | 1 | /P | Cap, Spark Plug |
| 11 | 3430-009 | 1 | /P | Seal, High Tension Wire |
| 12 | 8424-602 | 2 | /P | Nut |
| 13 | 0107-630 | 2 | | Spacer |
| 14 | 3530-004 | 1 | /P | Coil, Ignition - Assembly |
| 15 | 8476-640 | 2 | | Screw, Cap |
| 16 | 0423-075 | 3 | | Cable Tie - Push Mount |
| 17 | 0423-065 | 1 | | Base, Cable Tie |
| 18 | 0530-006 | 1 | | Regulator, Voltage |
| 18 | 3530-028 | 1 | S | Regulator, Voltage (Vehicle Identification Number S91T306171 and Up) |
| 19 | 8476-625 | 2 | | Screw, Machine |
| 20 | 8476-616 | 2 | | Screw, Machine |
| 21 | 3530-003 | 1 | | CDI Unit |
| 22 | 3530-008 | 1 | S | Relay, Neutral Start - Assembly |
| 23 | 3530-001 | 1 | /P | Relay, Starter Motor - Assembly (inc. 25) |
| 24 | 3423-020 | 2 | /P | Screw, Cap |
| 25 | 0630-098 | 1 | | Fuse, 30 Amp |
| 26 | 0445-003 | 1 | /P | Cable, Battery/Electric Start Relay |
| 27 | 0445-004 | 1 | | Cable, Battery/Electric Start |
| 28 | 0645-019 | 3 | | Boot, Terminal |
| 29 | 0445-002 | 1 | | Cable, Battery/Ground |