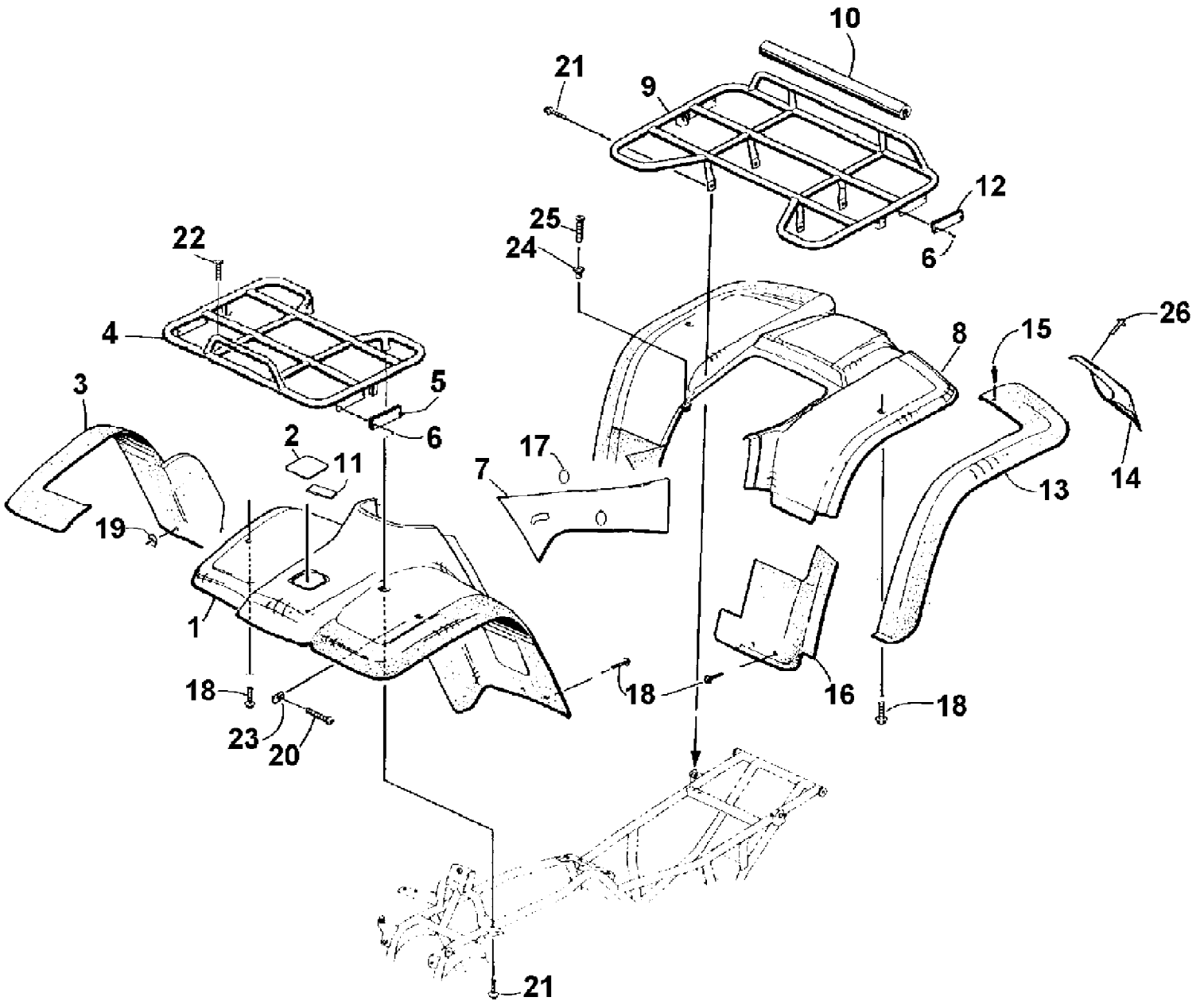


2001 500 CC AUTOMATIC TRANSMISSION (RED) (A2001ATM4BUSR)
AIR INTAKE ASSEMBLY

Page 2 of 90

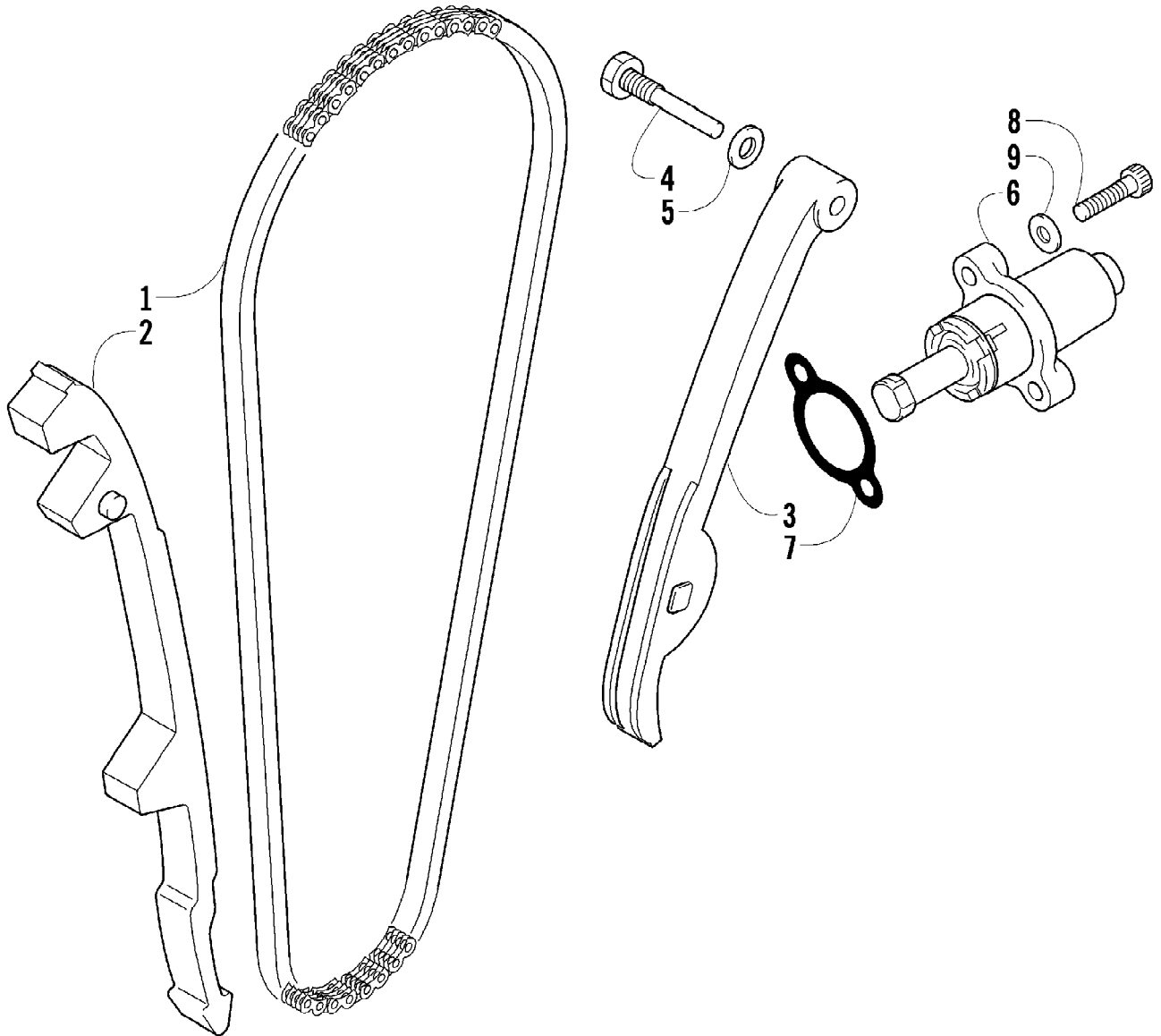
Ref #	Part Number	Qty	S/P/F	Description
1	0423-019	1		Clamp
2	0470-382	1		Boot, Air Cleaner
3	0423-018	2		Clamp
4	0470-384	1		Housing, Air Cleaner
5	0623-301	3	/P	Screw, Self-Tapping
6	0470-343	1		Gasket, Air Cleaner
7	0470-383	1	/P	Snorkel, Air Cleaner
8	0470-307	4		Clamp, Air Cleaner
9	0423-037	4		Spring, Air Cleaner
10	0623-121	3		Screw, Machine
11	0123-010	3	/P	Nut, Expansion
12	0410-023	1		Hose, Crankcase Vent
13	0470-391	1	/P	Filter, Air Cleaner
14	0470-309	1	S	Valve, Air Cleaner
15	1673-272	1	/P	Cap, Fitting - Air Cleaner
16	0423-047	1		Clamp, Hose
17	0423-045	2		Clamp, Hose - Spring
18	0470-351	2		Support, Air Cleaner Flange
19	0406-540	1		Plate, Heat - Air Intake



2001 500 CC AUTOMATIC TRANSMISSION (RED) (A2001ATM4BUSR)
BODY PANEL ASSEMBLY

Page 4 of 90

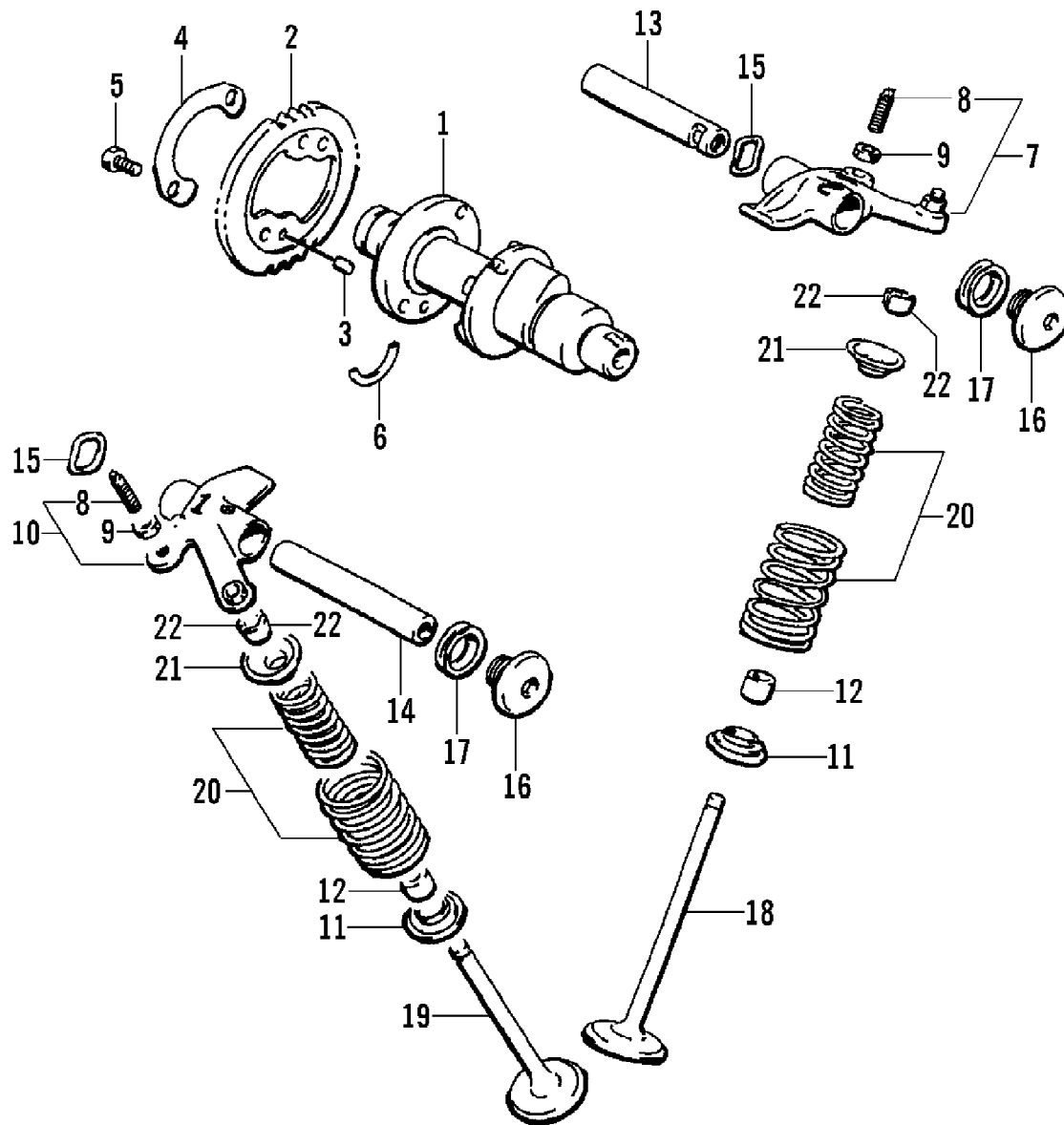
Ref #	Part Number	Qty	S/P/F	Description
1	0506-406	1	/P	Panel, Fender - Front (Red)
1	0506-405	1	/P	Panel, Fender - Front (Green)
2	0506-153	1	S	Cover, Access (Red)
2	0506-145	1	S	Cover, Access (Green)
3	0506-342	1		Flare, Front - Right
3	0506-343	1		Flare, Front - Left
4	0506-407	1		Rack - Front
5	0606-526	2		Reflector, Front - Yellow
6	0623-269	8		Clip, Retaining
7	0506-370	1		Panel, Side - Right (Red)
7	0506-243	1		Panel, Side - Left (Red)
7	0506-372	1		Panel, Side - Right (Green)
7	0506-165	1		Panel, Side - Left (Green)
8	0506-258	1	/P	Panel, Fender - Rear (Red)
8	0506-302	1	/P	Panel, Fender - Rear (Green)
9	0506-482	1	S	Rack - Rear
10	0406-293	1		Wrap, Tube - Rear Rack
11	0417-002	1		Foam, Access Panel
12	0606-029	2		Reflector, Rear - Red
13	0406-082	1		Flare, Rear - Right
13	0406-083	1		Flare, Rear - Left
14	0406-558	1		Mud Flap - Right
14	0406-559	1		Mud Flap - Left
15	0423-046	AR		Rivet, Plastic
16	0506-336	1		Fender Extension - Rear - Right
16	0506-337	1		Fender Extension - Rear - Left
17	0470-404	1		Grommet, Fuel Shut-Off Valve Knob
18	0423-101	AR		Screw, Body
19	8424-602	1	/P	Nut, Flange
20	8477-616	2		Screw, Machine
21	8409-020	6	/P	Screw, Cap
22	8477-612	2		Screw, Machine
23	0423-031	2		Nut, Speed
24	0123-010	2	/P	Nut, Expansion
25	0423-068	2		Screw, Machine
26	0423-168	8		Rivet



2001 500 CC AUTOMATIC TRANSMISSION (RED) (A2001ATM4BUSR)
CAM CHAIN ASSEMBLY

Page 6 of 90

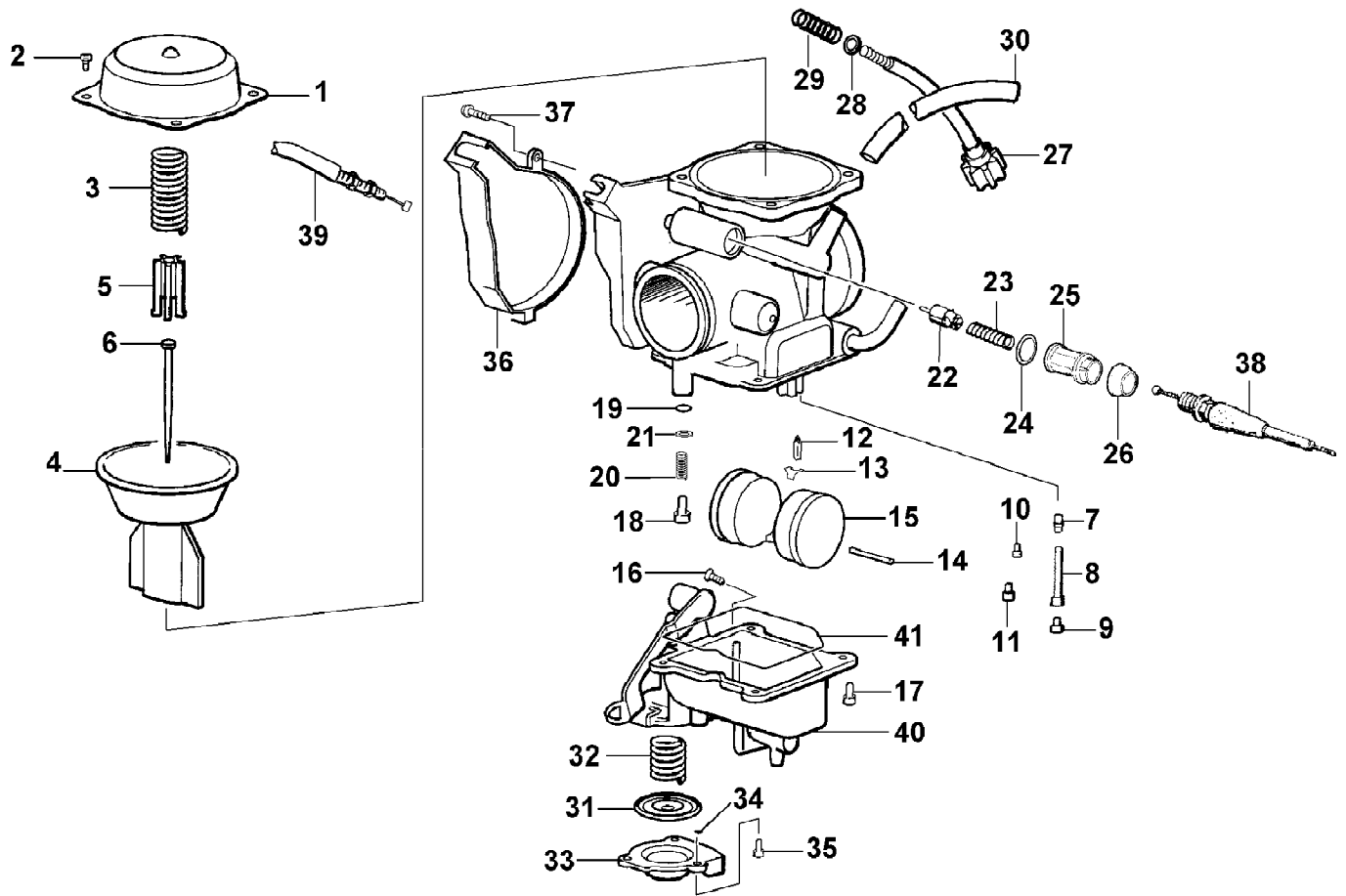
Ref #	Part Number	Qty	S/P/F	Description
1	3402-353	1		Chain, Cam
2	3402-355	1		Guide, Chain
3	3402-356	1		Tensioner, Chain
4	3423-074	1		Bolt
5	3003-188	1	S/P	Washer
6	3402-136	1		Adjuster, Tensioner - Assembly
7	3402-137	1		Gasket
8	3004-475	2	S	Bolt
9	3003-290	2	/P	Gasket



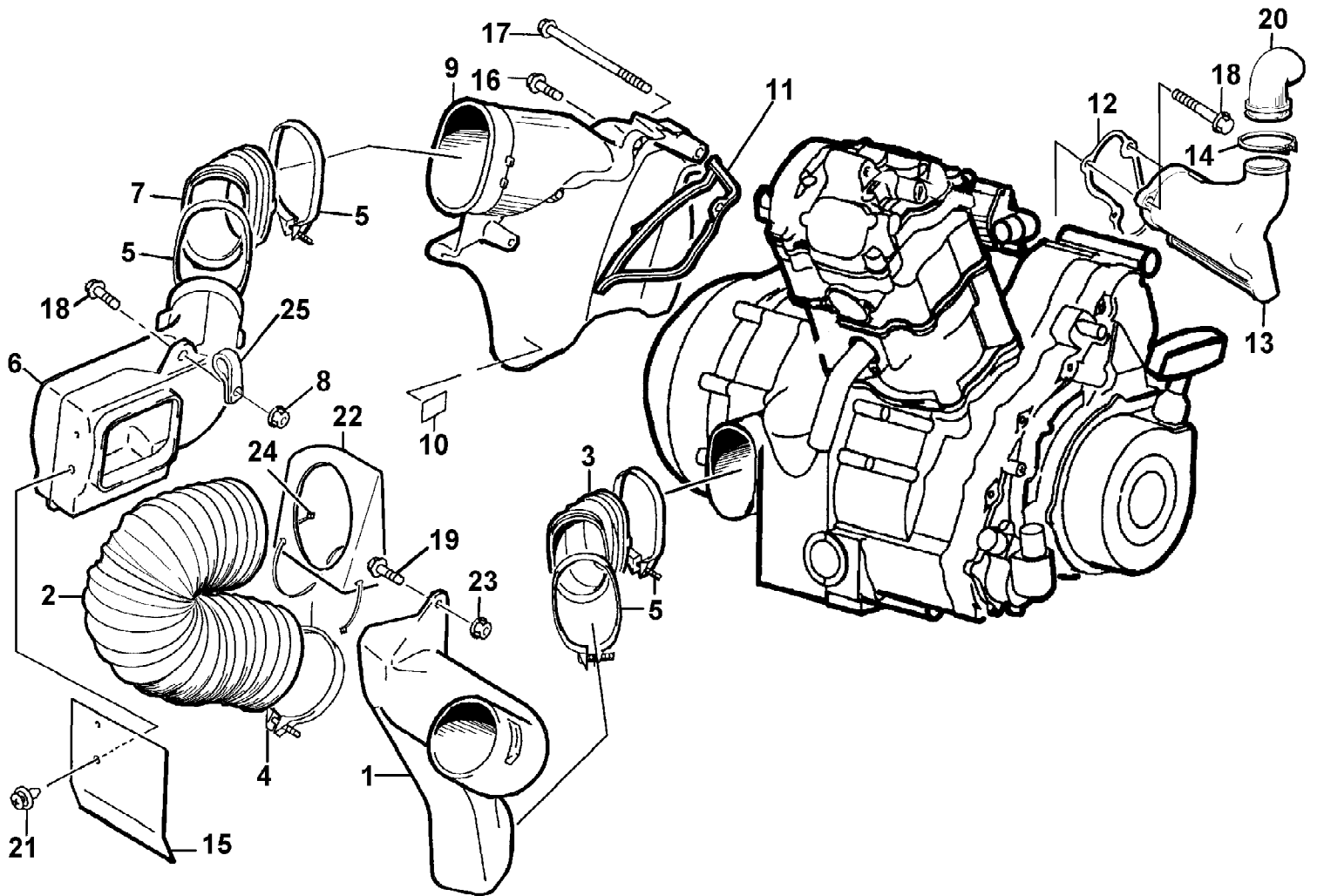
2001 500 CC AUTOMATIC TRANSMISSION (RED) (A2001ATM4BUSR)
CAMSHAFT/VALVE ASSEMBLY

Page 8 of 90

Ref #	Part Number	Qty	S/P/F	Description
1	3402-027	1	S	Camshaft
2	3402-352	1		Sprocket
3	3423-047	1		Pin
4	3423-073	1		Washer
5	3423-013	2	S	Bolt
6	3423-071	1	/P	C-Ring
7	3402-138	1	S	Arm, Valve Rocker (inc. 8-9)
8	3423-075	4		Screw
9	3423-076	4		Nut
10	3402-139	1		Arm, Valve Rocker (inc. 8-9)
11	3402-148	4		Seat, Spring
12	3402-078	4		Seal, Oil
13	3402-140	1		Shaft, Rocker Arm
14	3402-141	1		Shaft, Rocker Arm
15	3423-031	2		Washer
16	3402-040	2	/P	Plug, Shaft
17	3402-012	2		Gasket
18	3402-142	2	S	Valve, Intake
19	3402-143	2		Valve, Exhaust
20	3402-144	4		Spring, Valve - Set
21	3402-146	4	S	Retainer, Spring
22	3402-147	8		Cotter, Valve



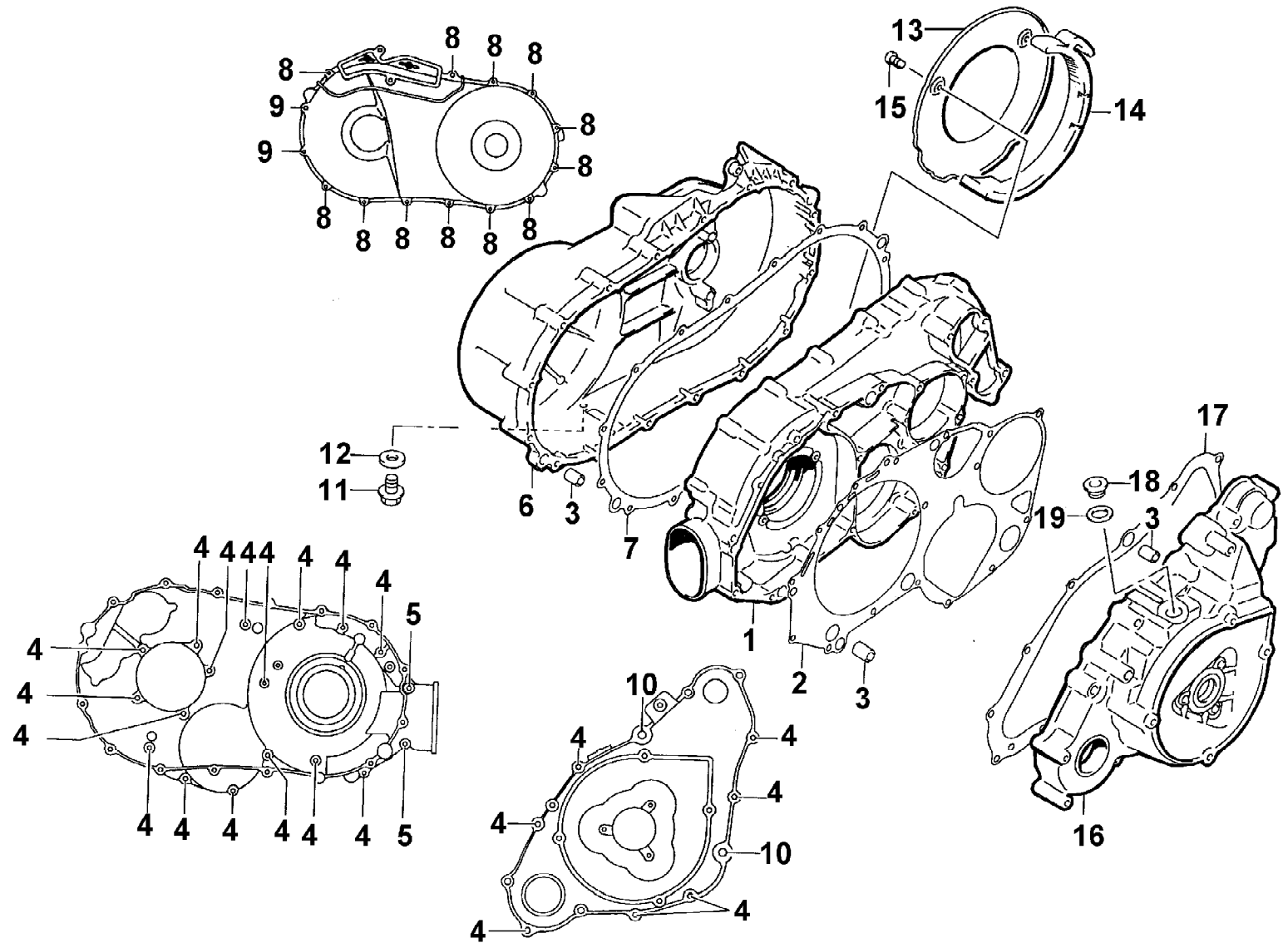
Ref #	Part Number	Qty	S/P/F	Description
	0470-433	1	S	Complete Assembly
1	5507-001	1		Cover, Top
2	5507-002	4	/P	Screw, Top Cover
3	5507-066	1	/P	Spring
4	5507-004	1	/P	Piston, Vacuum
5	5507-005	1		Spring, Seat
6	5507-006	1		Jet Needle
7	5507-007	1		Needle Jet
8	5507-047	1	/P	Holder, Needle Jet
9	5507-042	1	/P	Main Jet 145
9	5507-009	1	/P/F	Main Jet 150
9	5507-041	1	F	Main Jet 148
9	5507-043	1	F	Main Jet 142
9	5507-044	1	F	Main Jet 140
10	5507-010	1	S	Slow Jet
11	5507-011	1		Starter Jet - 102
12	5507-038	1		Valve, Float - Set (inc. 13)
13	0	1	F	Clip
14	0	1	F	Pin, Float
15	5507-039	1		Float Set (inc. 14)
16	5507-050	1	/P	Screw, Drain
17	5507-017	4	/P	Screw
18	5507-040	1		Screw, Pilot Air - Set (inc. 19-21)
19	0	1	F	O-Ring
20	0	1	F	Spring
21	0	1	F	Washer
22	5507-022	1		Valve, Starter
23	5507-023	1		Spring
24	5507-024	1		O-Ring
25	5507-025	1		Cap
26	5507-026	1		Cap, Rubber
27	5507-027	1		Screw, Stop
28	5507-028	1		Washer
29	5507-029	1		Spring
30	5507-030	1	/P	Tube, Vinyl
31	5507-031	1	S	Diaphragm Assembly
32	5507-032	1		Spring
33	0	1	F	Housing, Pump
34	5507-034	1		U-Ring
35	5507-035	3		Screw
36	5507-036	1		Cover
37	5507-037	1	/P	Screw
38	0487-016	1		Cable, Choke
39	0487-021	1	S	Cable, Throttle
40	0	1	F	Chamber, Float - Assembly (inc. 16, 31-35, and 41)
41	5507-067	1	/P	O-Ring, Float Chamber



2001 500 CC AUTOMATIC TRANSMISSION (RED) (A2001ATM4BUSR)
CASE/BELT COOLING ASSEMBLY

Page 12 of 90

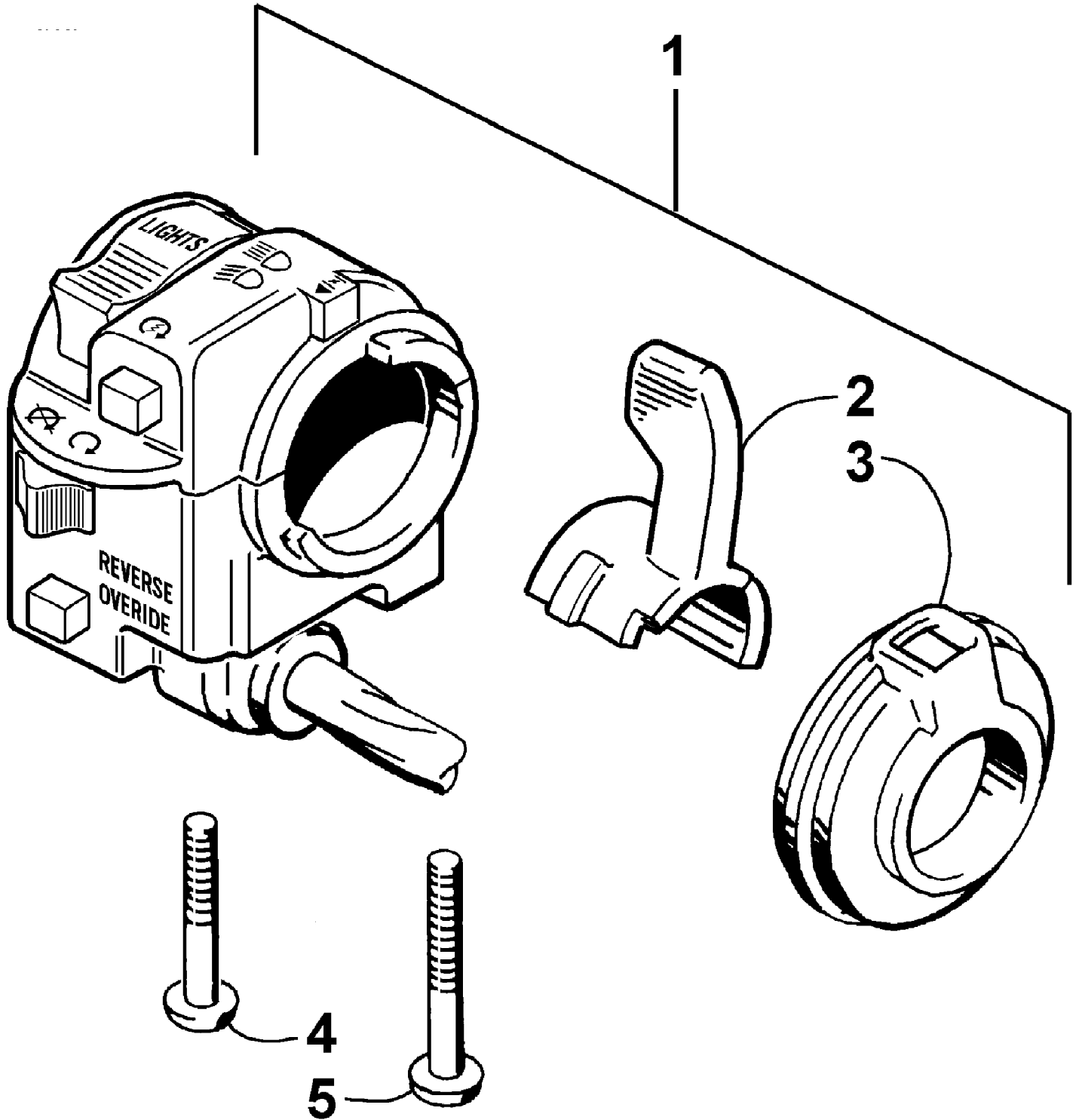
Ref #	Part Number	Qty	S/P/F	Description
1	3402-447	1		Duct, Belt Cooling - Front
2	0410-033	1		Duct, Belt Cooling - Front
3	3402-448	1		Tube, Clutch Cooling
4	0423-018	1		Clamp
5	3402-449	4	/P	Clamp, Duct - Front
6	3402-450	1		Duct, Belt Cooling - Center
7	3402-451	1		Connector, Cooling Duct - Center
8	3402-448	2		Clamp, Duct - Center
9	3402-452	1		Connector, Duct - Center
10	3402-453	2		Cushion, Duct Connector - Center
11	3402-454	1		Gasket, Duct Connector - Center
12	0410-034	1		Gasket, Duct Connector - Rear
13	0510-591	1		Plenum, Clutch
14	3402-455	1		Clamp
15	0506-402	1		Guard, Duct
16	3004-341	2	S/P	Bolt, Duct Connector - Center
17	3423-393	2	S	Bolt, Duct Connector - Center
18	8476-625	5		Screw, Machine
19	8408-820	1	/P	Screw, Cap
20	0410-032	1		Boot, Clutch Plenum
21	3423-423	2		Clip, Retaining - Duct Guard
22	0406-560	1		Retainer, Cooling Hose
23	8424-802	1		Nut, Flange
24	0123-788	AR	/P	Cable Tie - 7 in.
25	0423-167	1		Clamp, Brakeline
26	8424-602	1	/P	Nut



2001 500 CC AUTOMATIC TRANSMISSION (RED) (A2001ATM4BUSR)
CLUTCH/MAGNETO COVER ASSEMBLY

Page 14 of 90

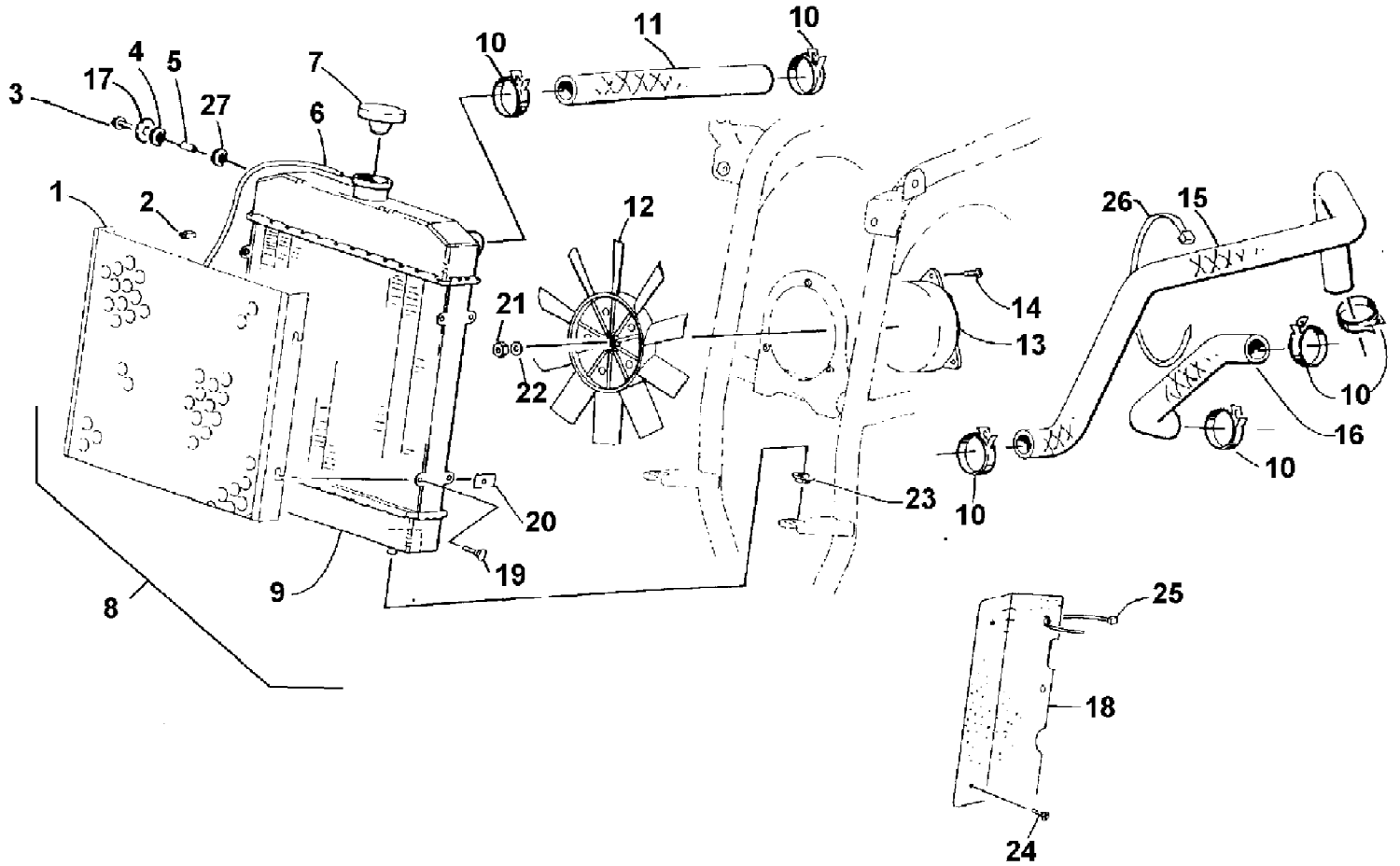
Ref #	Part Number	Qty	S/P/F	Description
1	3402-440	1		Cover, Clutch
2	3402-441	1		Gasket, Clutch Cover
3	3423-088	6		Pin, Dowel
4	3423-098	23	S	Bolt
5	3423-092	2	S	Bolt
6	3402-442	1		Cover, V-Belt
7	3402-443	1		Gasket, V-Belt Cover
8	3423-091	12	S	Bolt
9	3423-392	2		Bolt
10	3423-307	2	S	Bolt
11	3004-705	1	S	Plug, Drain
12	3402-444	1		Gasket, Drain Plug
13	3402-445	1		Plate, Air Intake
14	3402-446	1	S	Cushion, Air Intake Plate
15	3004-552	3	S	Screw
16	3423-394	1		Cover, Magneto
17	3423-395	1		Gasket, Magneto Cover
18	3423-180	1	S	Plug, Oil Filler
19	3402-013	1	/P	Gasket, Oil Filler Plug



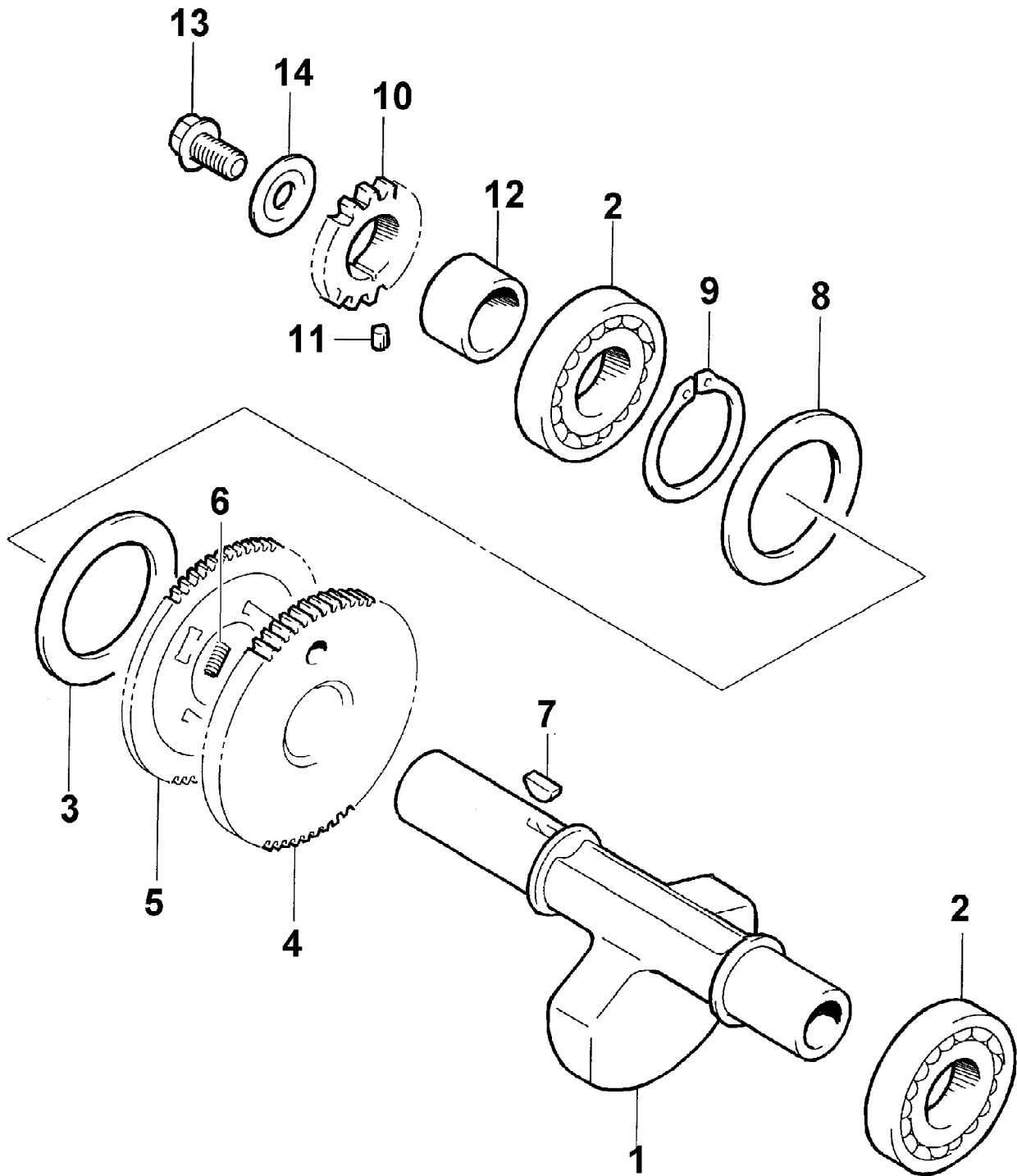
2001 500 CC AUTOMATIC TRANSMISSION (RED) (A2001ATM4BUSR)
CONTROL SWITCH HOUSING ASSEMBLY

Page 16 of 90

Ref #	Part Number	Qty	S/P/F	Description
1	0409-022	1		Switch, Control - Assembly (inc. 2-5)
2	0409-025	1		Lever, Choke
3	0409-026	1		Cover, Choke L ever
4	0409-027	1		Screw, Cap
5	0409-028	1		Screw



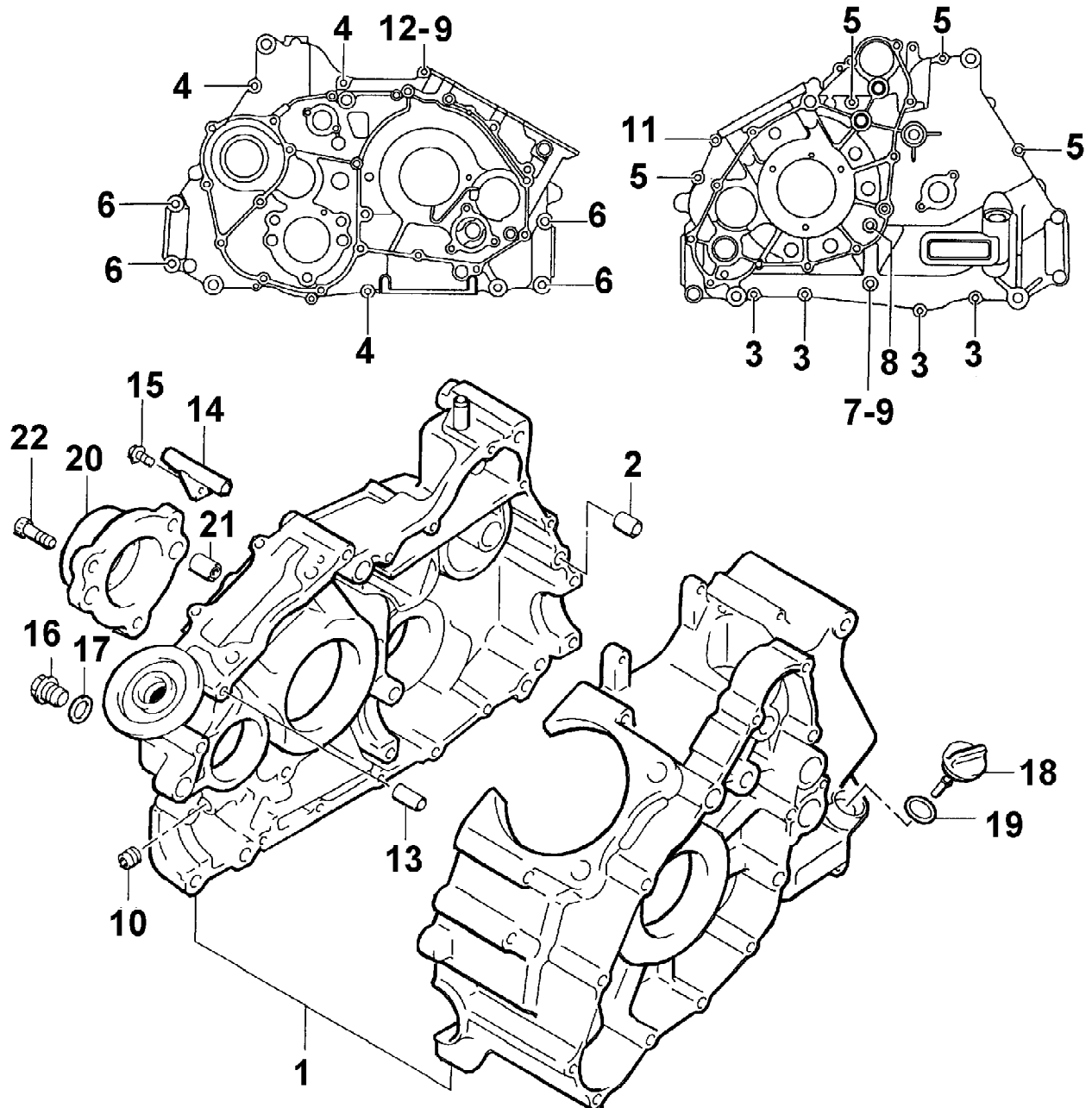
Ref #	Part Number	Qty	S/P/F	Description
1	0413-007	1		Screen, Radiator
2	0423-174	2		Clamp, Hose - Radiator
3	8476-620	2		Screw, Cap
4	0423-030	2		Grommet
5	0423-036	2		Collar
6	0610-016	AR	/P	Hose, Vent - 25 ft
7	0413-002	1	S	Cap, Radiator
8	0413-014	1		Radiator Assembly (inc. 1, 4, 7, 9, and 19)
9	0	1	F	Radiator
10	0423-070	6		Clamp, Hose
11	0410-002	1		Hose, Coolant - Upper
12	0413-006	1		Blade, Fan
13	0413-004	1		Motor, Fan
14	8474-516	3		Screw, Machine
15	0410-021	1		Hose, Coolant - Lower
16	0410-022	1		Hose, Coolant - Crossover
17	0623-184	2		Washer
18	0406-543	2		Shroud, Fan
19	0413-009	4		Screw, Thumb
20	0423-031	4		Nut, Speed
21	0423-056	1		Nut - Left
22	8050-252	1		Washer
23	0423-028	2		Bushing, Stem
24	8477-616	4		Screw, Machine
25	0123-788	AR	/P	Cable Tie - 7 in.
26	0623-751	1		Cable Tie - Re-Useable
27	8424-602	2	/P	Nut, Flange



2001 500 CC AUTOMATIC TRANSMISSION (RED) (A2001ATM4BUSR)
CRANK BALANCER ASSEMBLY

Page 20 of 90

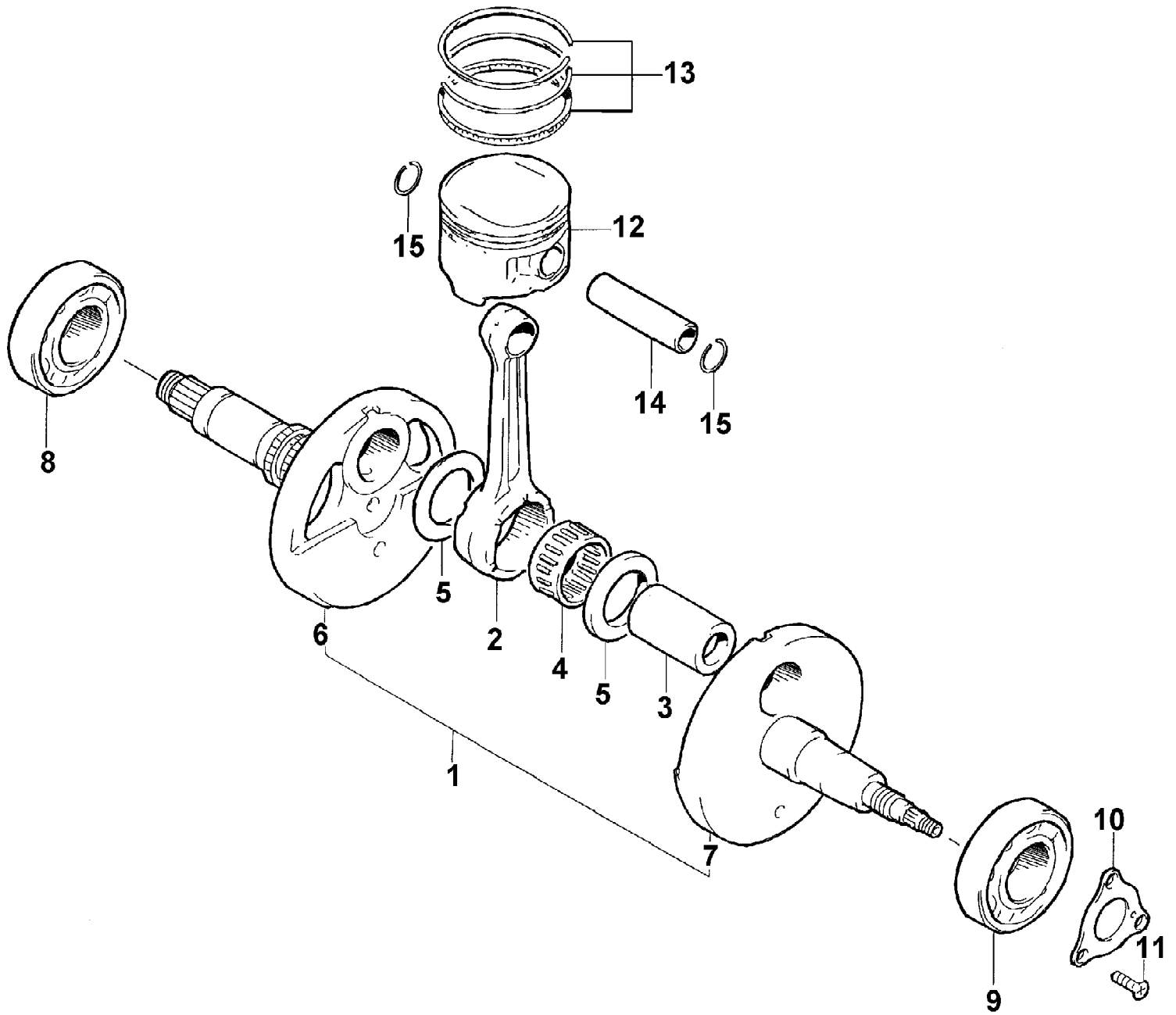
Ref #	Part Number	Qty	S/P/F	Description
1	3402-458	1		Balancer, Crank
2	3402-050	2		Bearing
3	3423-398	1		Washer
4	3402-459	1		Gear, Driven - No. 1
5	3402-460	1		Gear, Driven - No. 2
6	3423-399	2		Spring, Driven Gear
7	3004-540	1	/P	Key
8	3423-107	1		Washer
9	3423-200	1	/P	Circlip
10	3402-390	1		Gear, Oil Pump Drive
11	3423-110	1		Pin, Drive Gear
12	3402-461	1		Spacer, Drive Gear
13	3423-400	1		Bolt, Drive Gear
14	3423-401	1		Washer, Drive Gear



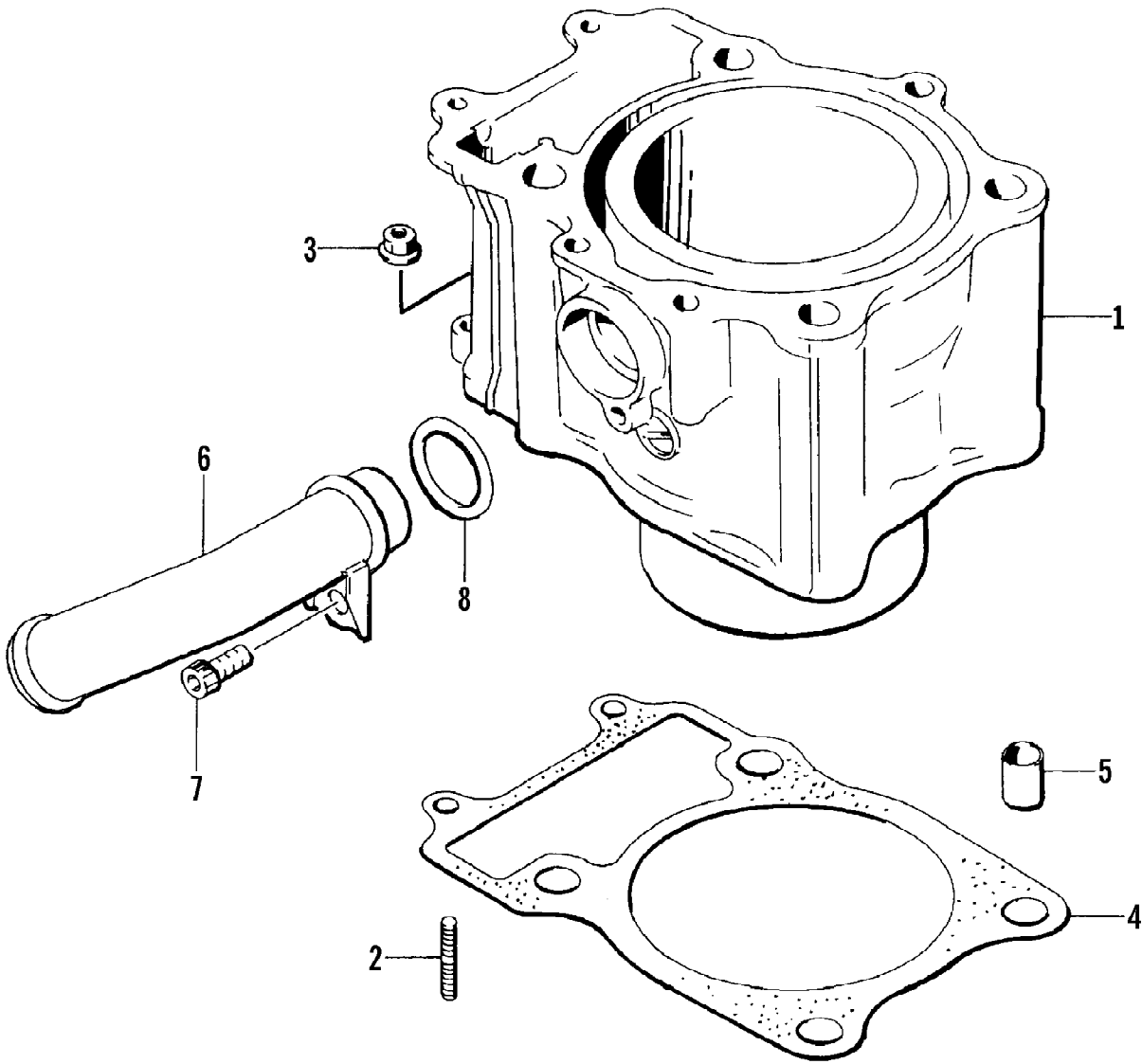
2001 500 CC AUTOMATIC TRANSMISSION (RED) (A2001ATM4BUSR)
CRANKCASE ASSEMBLY

Page 22 of 90

Ref #	Part Number	Qty	S/P/F	Description
1	3402-520	1	S	Crankcase Assembly (inc. 2-12 and 24)
2	3423-088	2		Pin, Dowel
3	3423-091	4	S	Bolt
4	3423-119	3	S	Bolt
5	3423-092	4	S	Bolt
6	3004-880	4		Bolt
7	3005-332	1		Bolt
8	3423-385	1		Bolt
9	3402-436	2	/P	Gasket
10	3423-386	1		Plug
11	3423-387	1		Bolt
12	3423-388	1		Bolt
13	3004-822	1		Pin, Dowel
14	3402-437	1		Pipe, Breather
15	3423-389	1		Bolt, Breather Pipe
16	3402-214	1		Plug, Oil Pressure
17	3402-012	1		Gasket, Oil Pressure Plug
18	3402-438	1		Stick, Oil Level
19	3423-055	1		O-Ring, Oil Level Stick
20	3402-439	1		Housing, Secondary Shaft Bearing
21	3423-088	2		Pin, Dowel
22	3423-506	3	/P	Bolt



Ref #	Part Number	Qty	S/P/F	Description
1	3402-521	1	S	Crankshaft Assembly (inc. 2-7)
2	3402-376	1		Rod, Connecting
3	3402-377	1		Pin, Crank
4	3402-386	1	S	Bearing
5	3423-351	2		Washer
6	3402-522	1		Crankshaft - Right
7	3402-456	1	S	Crankshaft - Left
8	3402-058	1		Bearing - Right
9	3402-054	1		Bearing - Left
10	3402-188	1	/P	Retainer, Oil Seal - Left
11	3423-018	3		Screw
12	3402-373	1		Piston
13	3402-374	1		Ring, Piston - Set
14	3402-375	1		Pin, Piston
15	3423-344	2		Circlip, Piston Pin
16	3402-431	1	F	Piston Assembly (inc. 13-15)

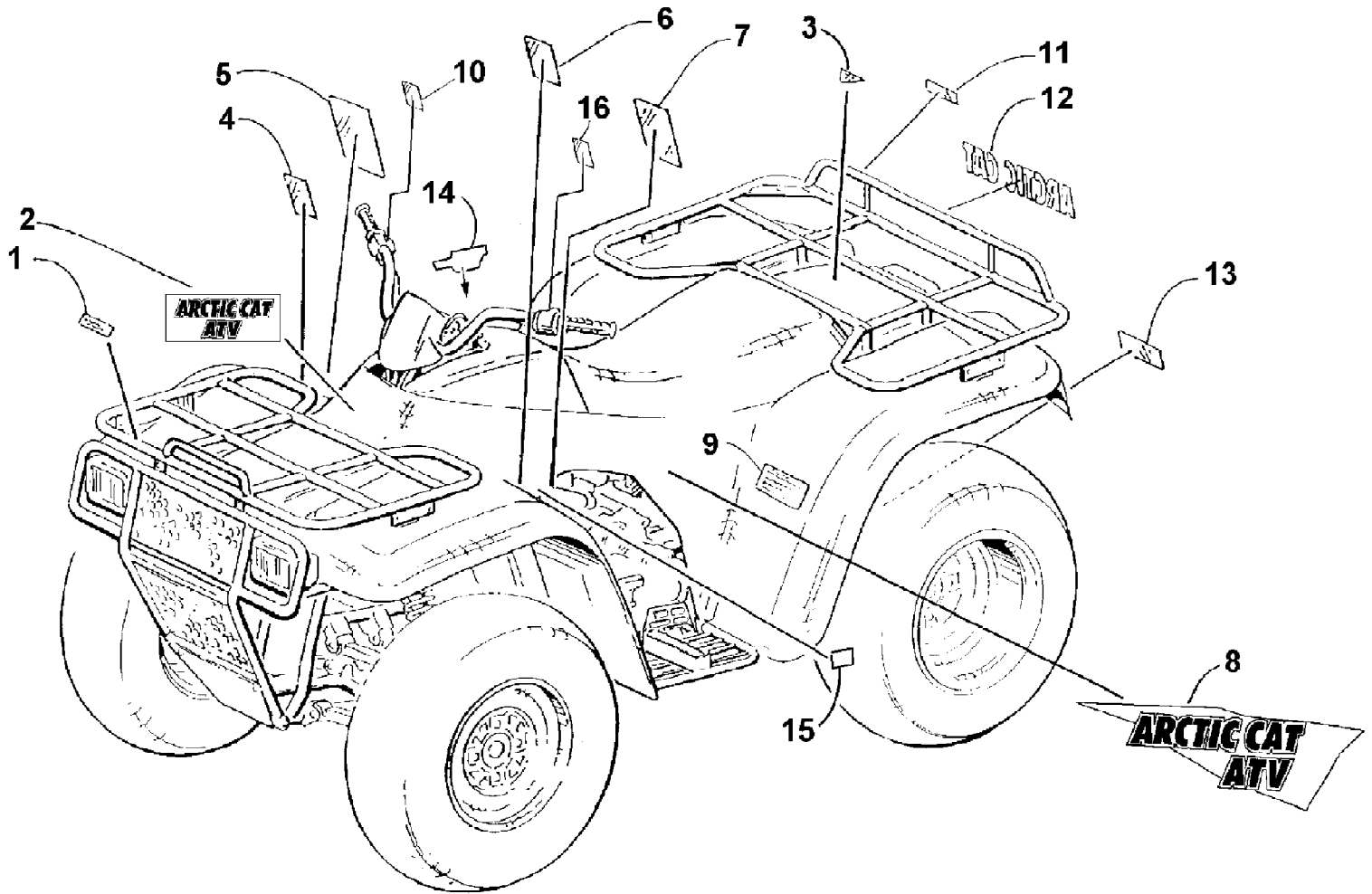


2001 500 CC AUTOMATIC TRANSMISSION (RED) (A2001ATM4BUSR)
CYLINDER ASSEMBLY

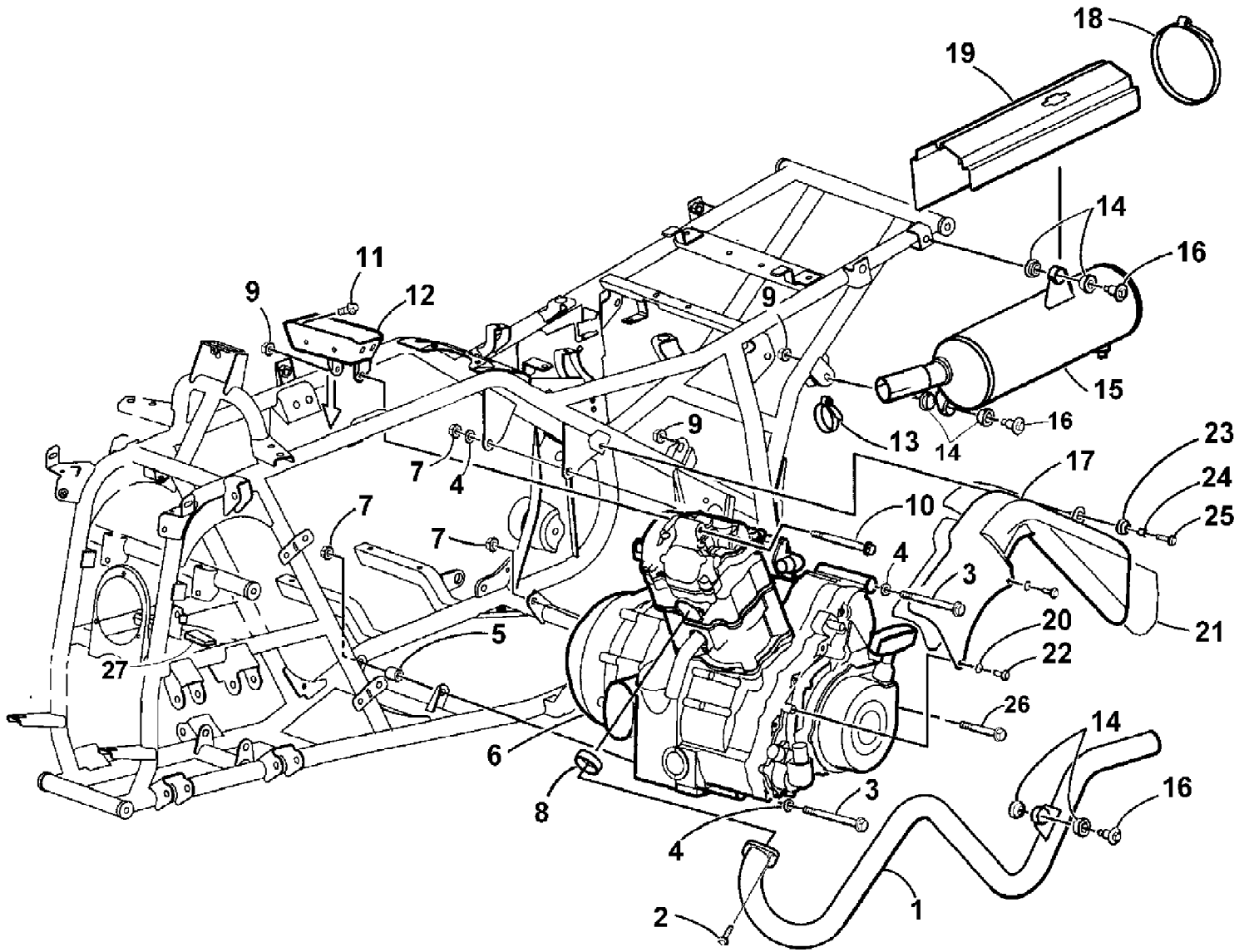
Page 26 of 90

Ref #	Part Number	Qty	S/P/F	Description
1	3402-364	1		Cylinder
2	3423-384	2	S	Bolt, Stud
3	3004-488	2	S/P	Nut
4	3402-365	1	/P	Gasket, Cylinder
5	3423-088	2		Pin, Dowel
6	3413-013	1		Union, Water Hose
7	3423-121	1	S	Screw, Cap
8	3423-058	1		O-Ring

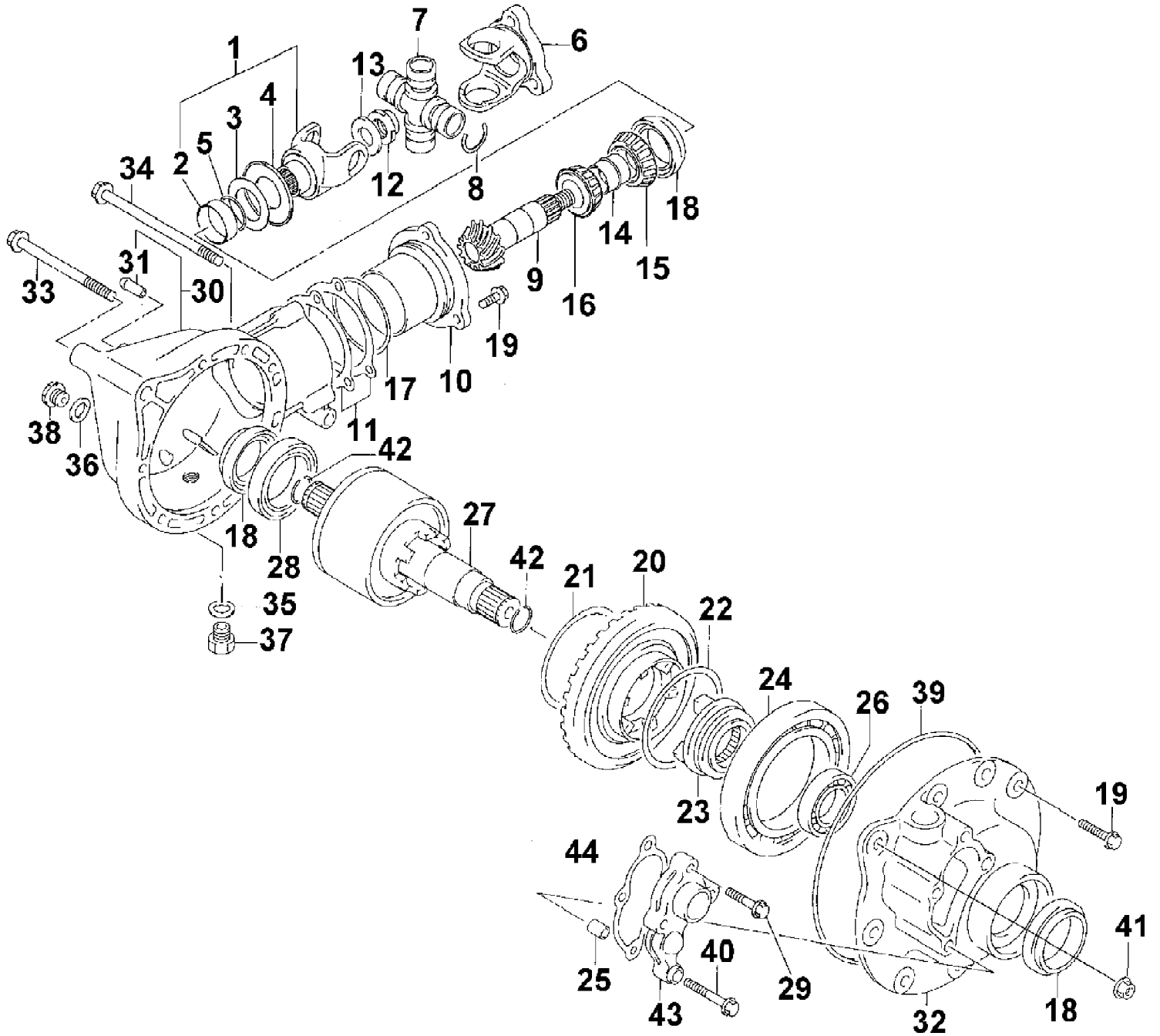
Ref #	Part Number	Qty	S/P/F	Description
	N/A	1		Complete Gasket Set
1	3402-361	1		Head, Cylinder - Assembly (inc. 2-6)
2	3402-099	4		Guide, Valve
3	3423-068	4		Circlip
4	3423-043	2	/P	Pin, Dowel
5	3423-006	4		Screw, Cap
6	3008-376	2	S	Screw, Cap
7	3402-362	1		Gasket, Cylinder Head
8	3423-088	2		Pin, Dowel
9	3423-015	2		Screw, Cap
10	3423-016	2		Screw, Cap
11	3423-089	2	S	Bolt, Stud
12	3423-087	2	S	Bolt, Stud
13	3423-203	1	S/P	Bolt, Stud
14	3423-007	2	S	Screw, Cap
15	3004-376	4	S/P	Screw, Cap
16	3004-488	5	S/P	Nut
17	3004-326	1	S/P	Nut
18	3003-290	4	/P	Gasket
19	3402-010	4		Gasket, Head Nut
20	0217-632	1		Spark Plug (NGKCR6E)
21	3402-100	2		Cap, Inspection
22	3402-101	2		O-Ring
23	3004-341	3	S/P	Screw, Cap
24	3402-035	1		Plug, Cylinder Head
25	3402-435	1		Pipe, Intake - Assembly
25	3402-358	1		Pipe, Intake - Assembly
26	3423-353	1	/P	O-Ring
27	3423-347	2		Screw, Cap
28	3402-086	2	/P	Clamp
29	3530-030	1	S	Switch, Water Temperature - Assembly
30	3413-004	1		Cover, Thermostat
31	3004-341	1	S/P	Screw, Cap
32	3423-354	1		Stud, Thermostat Cover
33	3423-349	1		Nut
34	3413-012	1		Thermostat
35	3423-383	1		Bolt, Stud
36	0470-412	1		Tube, Intake
37	3402-048	1	F	Plug, Frost



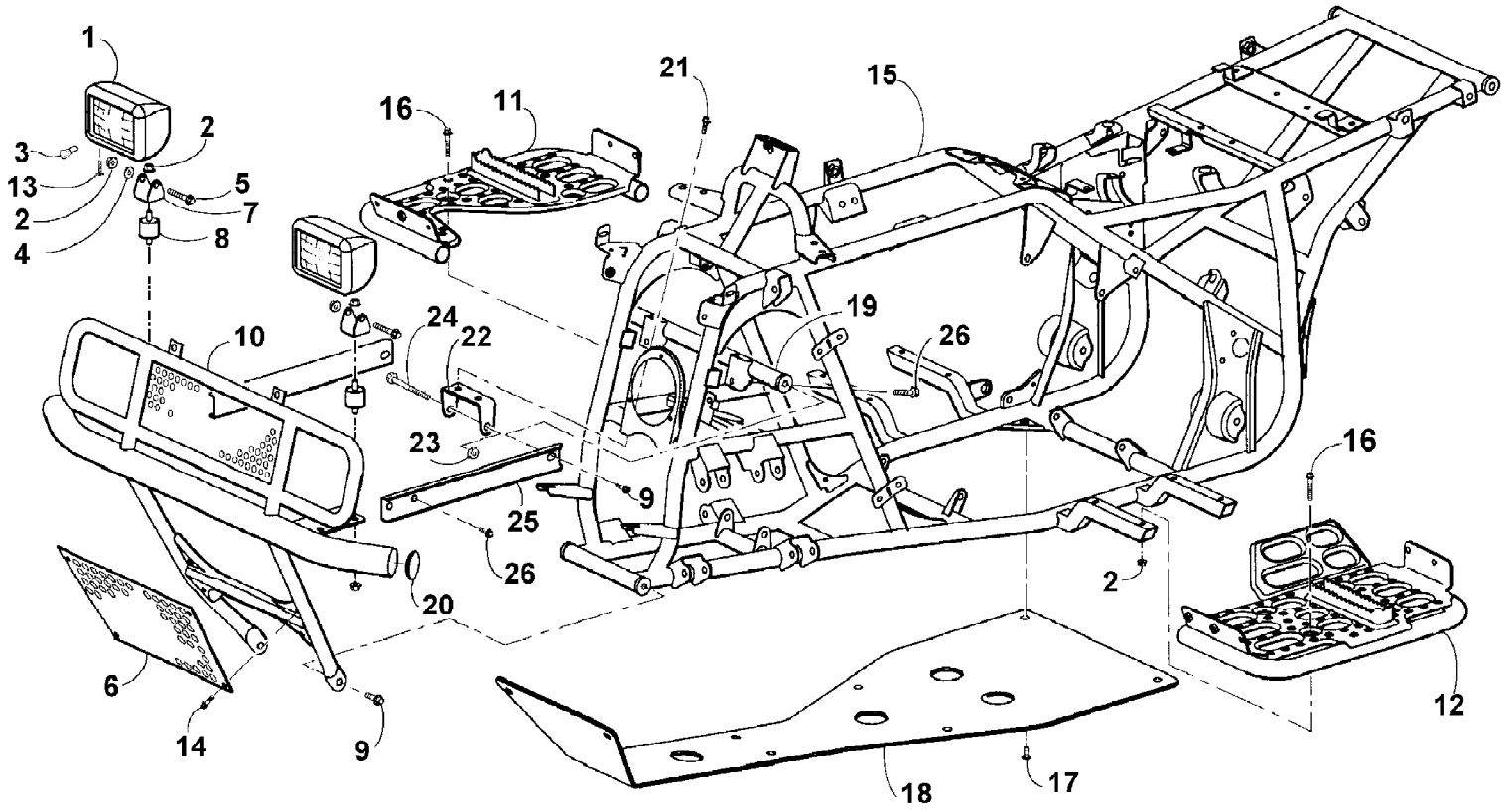
Ref #	Part Number	Qty	S/P/F	Description
1	0411-006	1		Decal, Warning - Front Rack Load
2	0411-303	1		Decal, Front (Red)
2	0411-302	1		Decal, Front (Green)
3	3611-002	1		Decal, "Made In U.S.A."
4	0411-045	1		Decal, Warning - Turn
5	0411-008	1	/P	Decal, Warning Reverse/Pre-Ride
6	0411-040	1		Decal, Warning - Age
7	0411-218	1		Decal, Warning - General
8	0411-322	1		Decal, "500" - Right Side (Red)
8	0411-323	1		Decal, "500" - Left Side (Red)
8	0411-320	1		Decal, "500" - Right Side (Green)
8	0411-321	1		Decal, "500" - Left Side (Green)
9	0411-228	1		Decal, Warning - Tire Pressure
10	0411-324	1		Decal, Instruction - Start in Gear
11	0411-007	1		Decal, Warning - Rear Rack Load
12	0411-043	1	/P	Decal, "Arctic Cat"
13	0411-267	1		Decal, Warning - Towing
14	0411-291	1		Decal, "Duramatic"
15	0411-011	1		Decal, Caution - Electrical



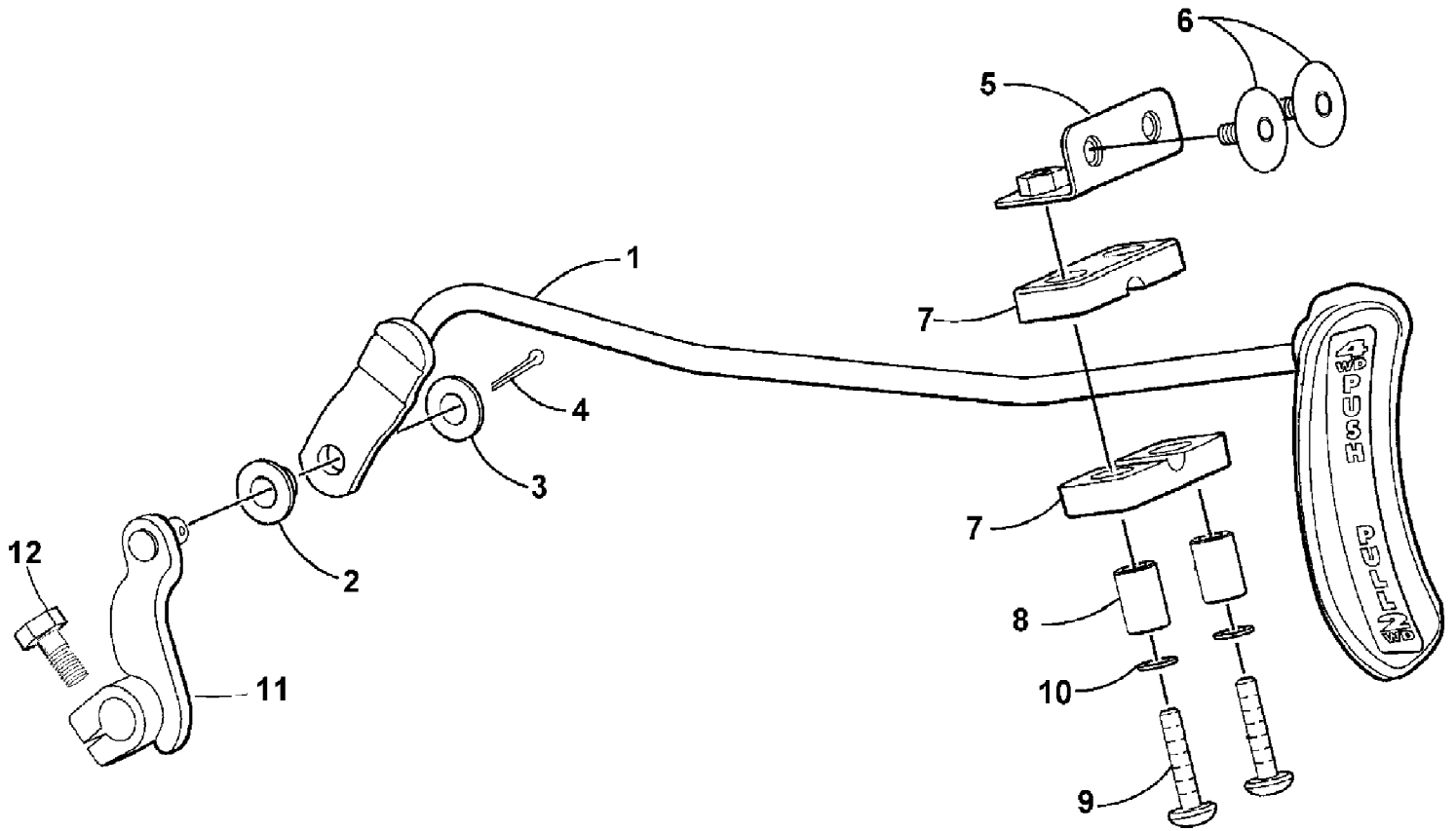
Ref #	Part Number	Qty	S/P/F	Description
1	0512-021	1		Pipe, Exhaust
2	8408-820	2	/P	Screw, Cap
3	3423-009	2	/P	Bolt
4	0423-050	3		Washer
5	0423-042	1	S	Spacer
6	0462-013	1		Engine
7	8428-002	3		Nut, Lock
8	0412-007	1	/P	Seal, Exhaust
9	8424-802	4		Nut, Flange
10	8408-860	1		Screw, Cap
11	8408-816	4		Screw, Cap
12	0506-374	1		Bracket, Engine - Upper
13	0423-150	1		Clamp, Exhaust
14	0412-033	6		Bushing, Exhaust
15	0412-049	1	S	Muffler
16	0423-106	3		Screw, Machine
17	0406-487	1	S	Cover, Exhaust
18	0423-079	2		Clamp, Hose
19	0406-298	1		Plate, Heat - Muffler
20	8053-211	2	S	Washer, Lock - External Tooth
21	0412-054	1		Shield, Heat
21	0412-055	1		Shield, Heat
22	8477-610	2		Screw, Machine
23	0423-030	1		Grommet
24	0423-036	1		Collar
25	8476-620	1		Screw, Machine
26	3423-391	1		Bolt
27	0406-555	1		Pad, Foam



Ref #	Part Number	Qty	S/P/F	Description
1	3435-090	1	/P	Yoke, Drive Bevel Gear (inc. 2-5)
2	3435-029	1		Collar, Yoke
3	3435-030	1		Plate, Yoke
4	3435-035	1		Plate, Yoke Collar
5	3423-060	1		O-Ring, Yoke Collar
6	3435-091	1		Yoke, Propeller Shaft
7	3435-011	1		Joint, Universal - Set
8	3423-067	4		Circlip, Universal Joint
9	3435-092	1		Gear, Drive Bevel
10	3435-021	1		Housing, Drive Bevel Gear
11	3435-022	1		Shim Set
12	3423-178	1	/P	Nut, Drive Bevel Gear
13	3423-028	1		Washer, Drive Bevel Gear
14	3402-016	1		Spacer, Drive Bevel Gear
15	3402-066	1	/P	Bearing, Drive Bevel Gear
16	3402-065	1		Bearing, Drive Bevel Gear
17	3423-064	1		O-Ring, Drive Bevel Gear Housing
18	3402-072	3		Seal
19	3423-175	9	S	Bolt
20	3402-519	1		Gear, Driven Bevel
21	3435-017	1		Shim Set - Gear
22	3435-020	1		Shim Set - Bearing
23	3435-075	1		Dog, Differential Lock
24	3402-059	1		Bearing, Driven Bevel
25	3005-206	2	/P	Pin, Dowel
26	3402-185	1		Bearing, Driven Output Shaft
27	3435-093	1		Differential Assembly
28	3402-057	1		Bearing, Differential Case - Right
29	3004-756	2	S	Bolt, Case Cover
30	3435-024	1		Housing, Differential Gear (inc. 31)
31	3402-084	1		Union, Breather
32	3435-078	1		Case, Driven Gear Bearing
33	3423-010	1	/P	Bolt, Mounting - Differential Housing
34	3423-419	1		Bolt, Mounting - Differential Housing
35	3402-012	1		Gasket, Oil Drain Plug - Gear
36	3402-013	1	/P	Gasket, Oil Filler Plug - Gear
37	3402-036	1	S	Plug, Oil Drain - Gear
38	3423-180	1	S	Plug, Oil Filler - Gear
39	3423-050	1		O-Ring, Driven Gear Bearing Case
40	0693-327	2	S	Bolt, Case Cover
41	3423-341	2		Nut, Mounting - Differential Housing
42	3423-070	2		Ring, Driveshaft
43	3435-079	1		Cover, Driven Gear Case
44	3402-323	1		Gasket, Case Cover



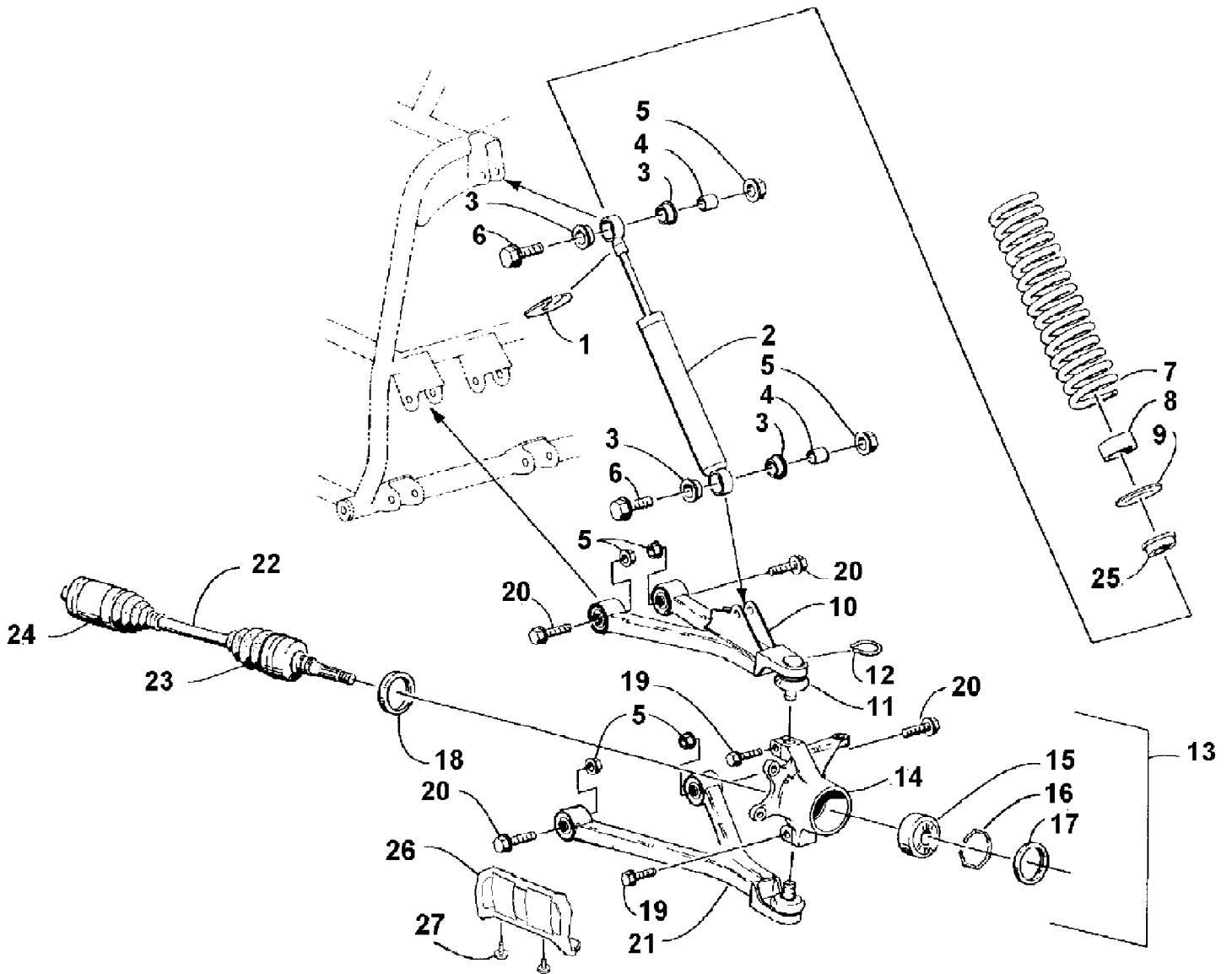
Ref #	Part Number	Qty	S/P/F	Description
1	0409-001	2		Headlight Assembly (inc. 3 and 13)
2	8424-802	9		Nut, Flange
3	0409-005	2		Bulb, Headlight
4	8053-242	2	/P	Washer, Lock - External Tooth
5	8408-850	2		Screw, Cap
6	0406-175	1		Screen, Bumper - Lower
7	0406-261	2		Yoke, Headlight
8	0406-262	2	S	Mount, Headlight
9	8409-020	4	/P	Screw, Cap
10	0506-410	1		Guard, Brush
11	0506-338	1		Footrest - Right
12	0506-339	1		Footrest - Left
13	0123-950	2		Screw, Self-Tapping
14	8408-816	4		Screw, Cap
15	0506-476	1	/P	Frame, Main
16	0423-162	7		Screw, Cap
17	0423-101	8		Screw, Body
18	0406-516	1		Panel, Belly
19	0506-079	1		Tube, Cross - Bumper
20	0406-130	2		Cap, Bumper
21	8408-820	2	/P	Screw, Cap
22	0506-149	1		Bracket, Differential
23	8428-002	2		Nut, Lock
24	3423-010	2	/P	Screw, Cap
25	0506-297	2	S	Channel, Bumper Mounting
26	8408-812	6		Screw, Cap



2001 500 CC AUTOMATIC TRANSMISSION (RED) (A2001ATM4BUSR)
FRONT SHIFT LINKAGE ASSEMBLY

Page 38 of 90

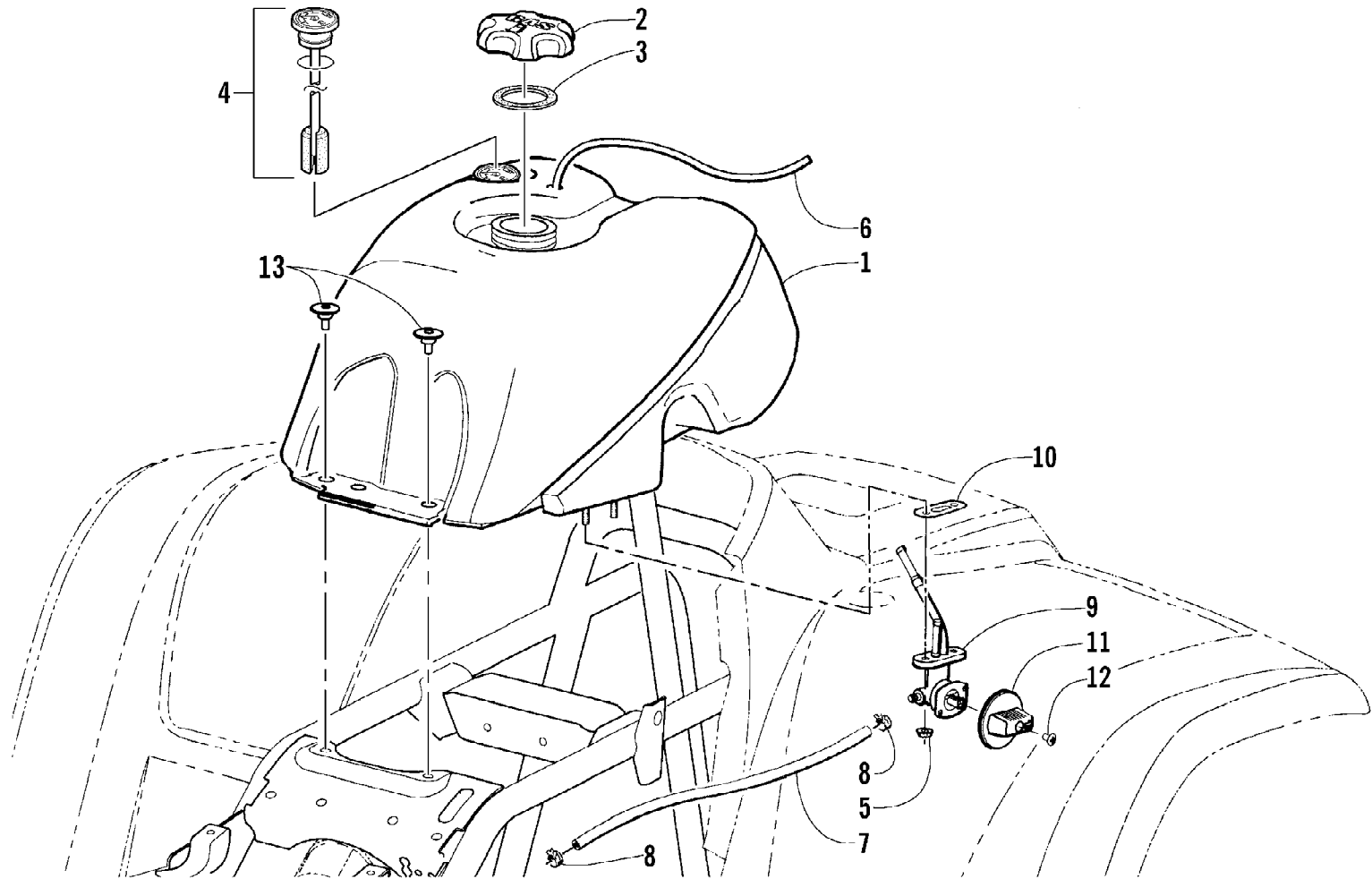
Ref #	Part Number	Qty	S/P/F	Description
1	0502-160	1		Linkage, Shift
2	0423-091	1		Bushing, Shift Linkage
3	8050-242	1		Washer
4	0117-868	1		Pin, Cotter
5	0506-400	1		Bracket, Shift Linkage
6	0423-101	2		Screw, Body
7	0406-363	2		Bushing
8	0402-256	2		Collar
9	8476-630	2		Screw, Machine
10	8050-222	2	/P	Washer
11	0502-221	1	/P	Arm, Select
12	8476-620	1		Screw, Machine



2001 500 CC AUTOMATIC TRANSMISSION (RED) (A2001ATM4BUSR)
FRONT SUSPENSION ASSEMBLY

Page 40 of 90

Ref #	Part Number	Qty	S/P/F	Description
1	0603-033	2	S	Retainer, Spring
2	0403-001	2		Shock Absorber - Front (inc. 3-4)
3	0604-310	8		Bushing, Shock Absorber
4	0403-028	4		Sleeve, Shock
5	8428-002	12		Nut, Lock
6	8409-040	4		Screw, Cap
7	0403-002	2		Spring, Shock Absorber
8	0403-025	2	/P	Collar, Spring
9	0403-013	2		Washer, Spring
10	0503-026	1	S/P	A-Arm, Upper Right - Assembly (inc. 11-12)
10	0503-027	1	S/P	A-Arm, Upper Left - Assembly (inc. 11-12)
11	0405-068	4	S	Ball Joint - Front
12	0423-009	4	/P	Clip, Ball Joint
13	0505-026	1	S/P	Knuckle - Assembly - Right (inc. 14-18)
13	0505-027	1	S/P	Knuckle - Assembly - Left (inc. 14-18)
14	0505-062	1	S	Knuckle, Steering - Right
14	0505-063	1	S	Knuckle, Steering - Left
15	0402-275	2	/P	Bearing, Wheel Hub - Front
16	0423-034	2		Clip, Bearing
17	0402-089	2		Seal, Wheel Bearing - Front
18	0402-069	2		Seal, Wheel Bearing - Front
19	8409-030	4		Screw, Cap
20	8409-060	8		Screw, Cap
21	0503-092	1	S	A-Arm, Lower Right (inc. 11-12)
21	0503-093	1	S	A-Arm, Lower Left (inc. 11-12)
22	0402-179	1	S	Axle, Drive - Front - Right
22	0402-249	1	S	Axle, Drive - Front - Left
23	0436-114	2	S	Repair Kit, Outer Boot - Front Axle
24	0436-113	2	S	Repair Kit, Inner Boot - Front Axle
25	0403-027	2		Retainer, Spring - Lower
26	0406-656	2		Guard, Boot - Axle
27	0423-101	4		Screw, Body

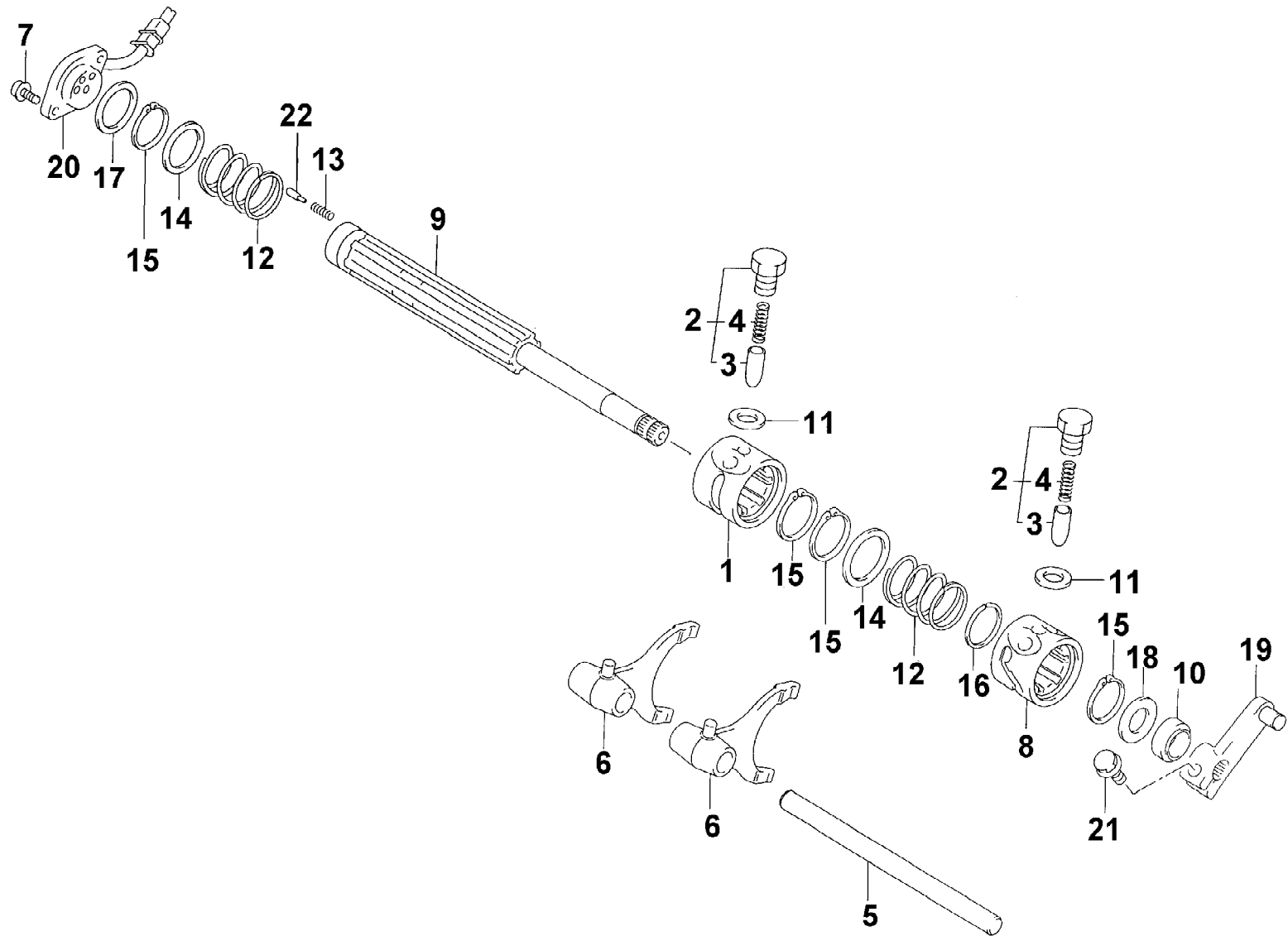


2001 500 CC AUTOMATIC TRANSMISSION (RED) (A2001ATM4BUSR)
GAS TANK ASSEMBLY

Page 42 of 90

Ref #	Part Number	Qty	S/P/F	Description
1	0570-035	1	S	Tank, Gas - Assembly (inc. 2-12)
2	0470-438	1	/P/F	Cap, Gas (inc. 3)
3	0109-733	1	/P/F	Gasket, Gas Cap
4	0470-444	1	S/F	Gauge, Fuel w/Gasket
5	0624-250	2	F	Nut, Lock
6	0470-381	1	S	Hose, Vent
7	0610-007	AR	/P	Hose, Gasline - 25 ft
8	0423-152	2		Clamp, Hose - Spring
9	0470-401	1	S	Valve, Fuel Shut-Off (inc. 10)
10	0470-364	1		Gasket, Fuel Shut-Off Valve
11	0470-408	1		Knob, Fuel Shut-Off Valve
12	0423-146	1		Screw, Fuel Shut-Off Valve Knob
13	0423-130	2		Screw, Gas Tank

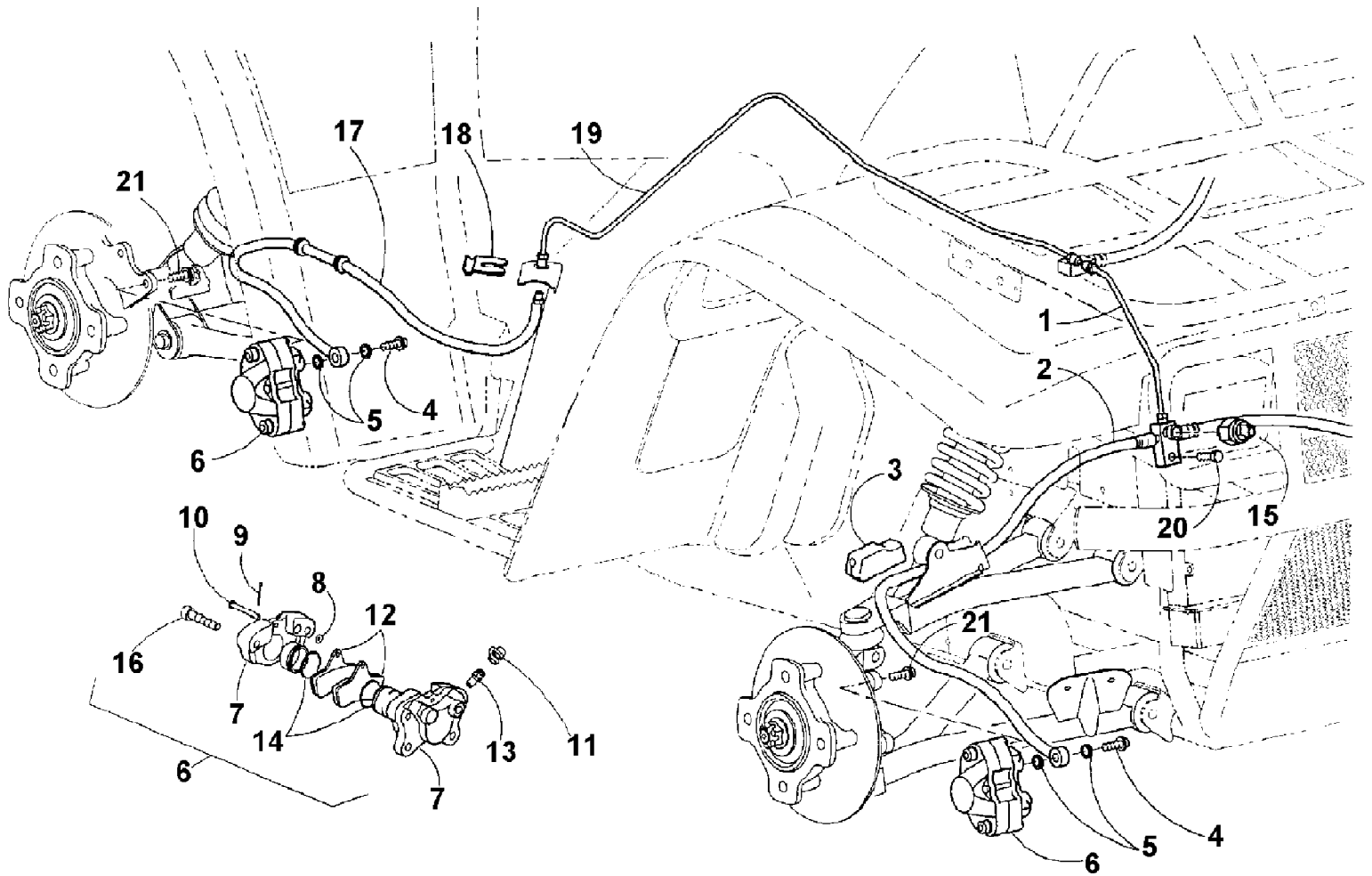
2001 500 CC AUTOMATIC TRANSMISSION (RED) (A2001ATM4BUSR)
GEAR SHIFT ASSEMBLY



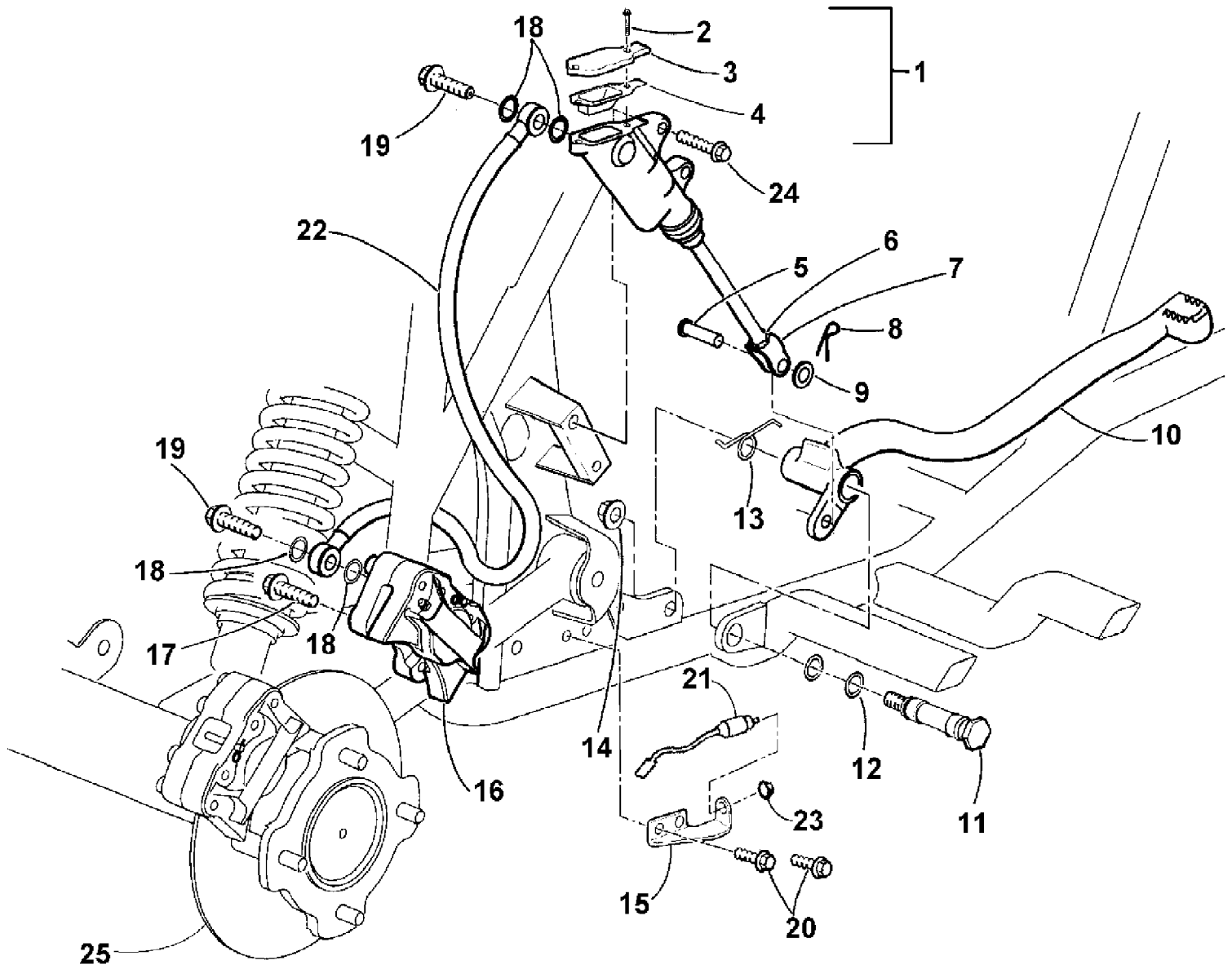
2001 500 CC AUTOMATIC TRANSMISSION (RED) (A2001ATM4BUSR)
GEAR SHIFT ASSEMBLY

Page 44 of 90

Ref #	Part Number	Qty	S/P/F	Description
1	3446-264	1		Cam, Gear Shift - Reverse
2	3446-265	2		Stopper, Shift Cam (inc. 3-4)
3	3446-242	2		Stopper
4	3446-113	2		Spring
5	3446-266	1		Shaft, Shift Fork
6	3446-073	2		Fork, Shift
7	3423-418	2		Bolt
8	3446-267	1		Cam, Gear Shift
9	3446-268	1		Shaft, Gear Shift
10	3402-076	1		Seal, Gear Shift
11	3402-012	2		Gasket, Shift Cam Stopper
12	3446-104	2		Spring, Shift Cam
13	3402-087	2		Spring
14	3402-382	2		Washer, Shift Cam Spring
15	3423-191	4	/P	Circlip, Shift Cam Spring
16	3423-416	1		C-Ring, Cam Stop
17	3423-421	1	/P	Washer, Shift Shaft
18	3423-417	1		Washer, Shift Shaft
19	3402-434	1	/P	Arm, Select
20	3530-031	1		Base, Gear Shift - Assembly
21	3004-341	1	S/P	Bolt, Shift Lever
22	3423-044	2		Contact



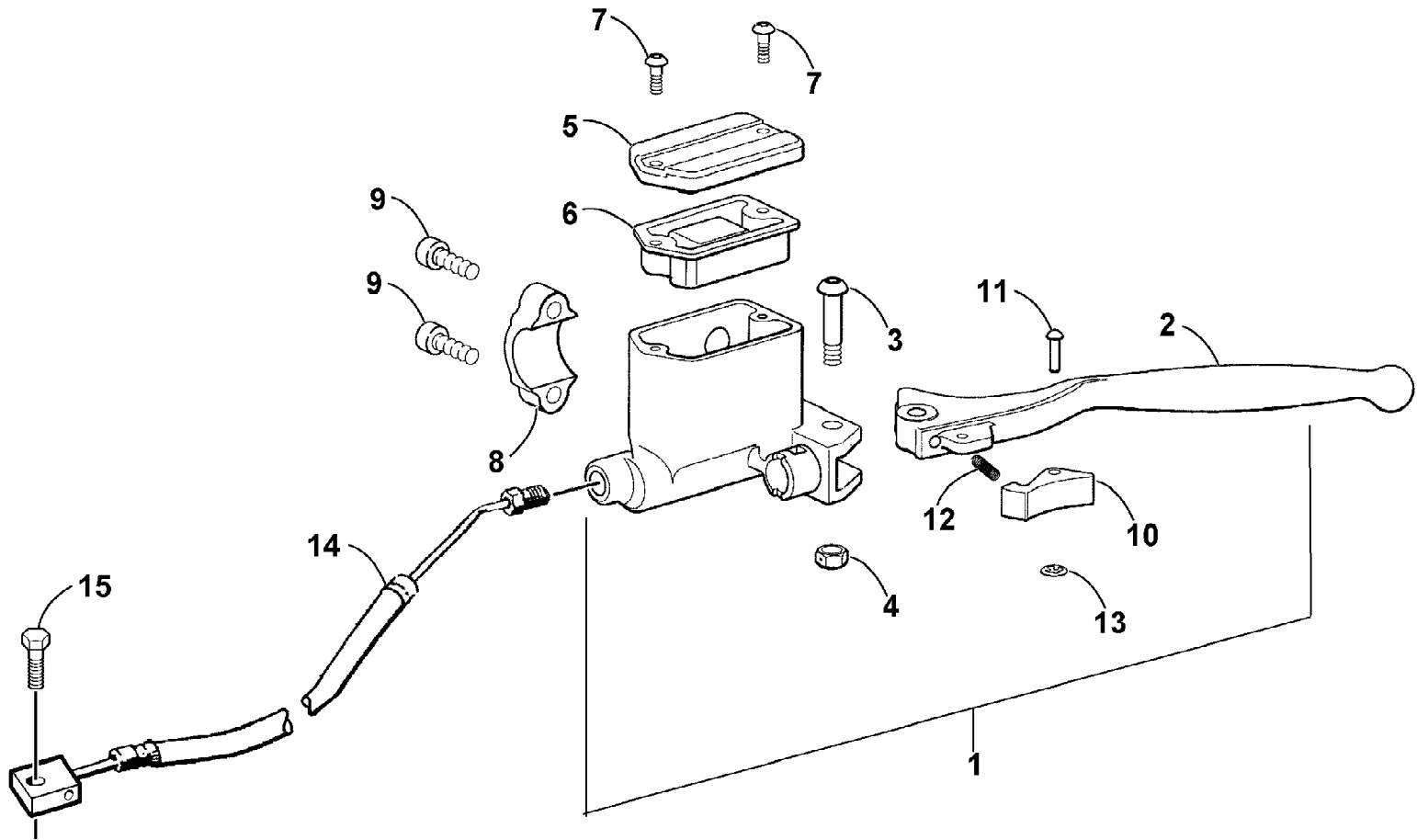
Ref #	Part Number	Qty	S/P/F	Description
1	0402-373	1		Tube, Brakeline - Front
2	0402-307	1		Hose, Brake - Front
3	0402-073	2		Block, Mounting
4	0423-038	3	S	Bolt, Oil
5	0423-039	6		Washer, Crush
6	0402-488	1	S	Caliper, Brake - Right Front (inc. 7-14 and 16)
6	0402-489	2	S	Caliper, Brake - Left Front and Rear (inc. 7-14 and 16)
7	0	6	F	Housing, Caliper
8	0402-490	3		O-Ring
9	0402-496	3	S	Pin, Cotter
10	0402-495	3		Pin, Brake Caliper
11	0402-493	3		Cap, Bleeder Valve
12	0402-494	6	S	Pad, Brake
13	0402-491	3	S	Valve, Bleeder
14	0402-487	6		O-Ring, Brake Caliper
15	0402-306	1	/P	Switch, Brake Pressure
16	0402-492	12		Screw, Cap
17	0402-184	1		Hose, Brake - Rear
18	0402-597	1	/P	Clip, Brakeline
19	0402-593	1	/P	Tube, Brakeline - Rear
20	8476-625	1		Screw, Cap
21	8408-825	6		Screw, Cap



2001 500 CC AUTOMATIC TRANSMISSION (RED) (A2001ATM4BUSR)
HYDRAULIC FOOT BRAKE ASSEMBLY

Page 48 of 90

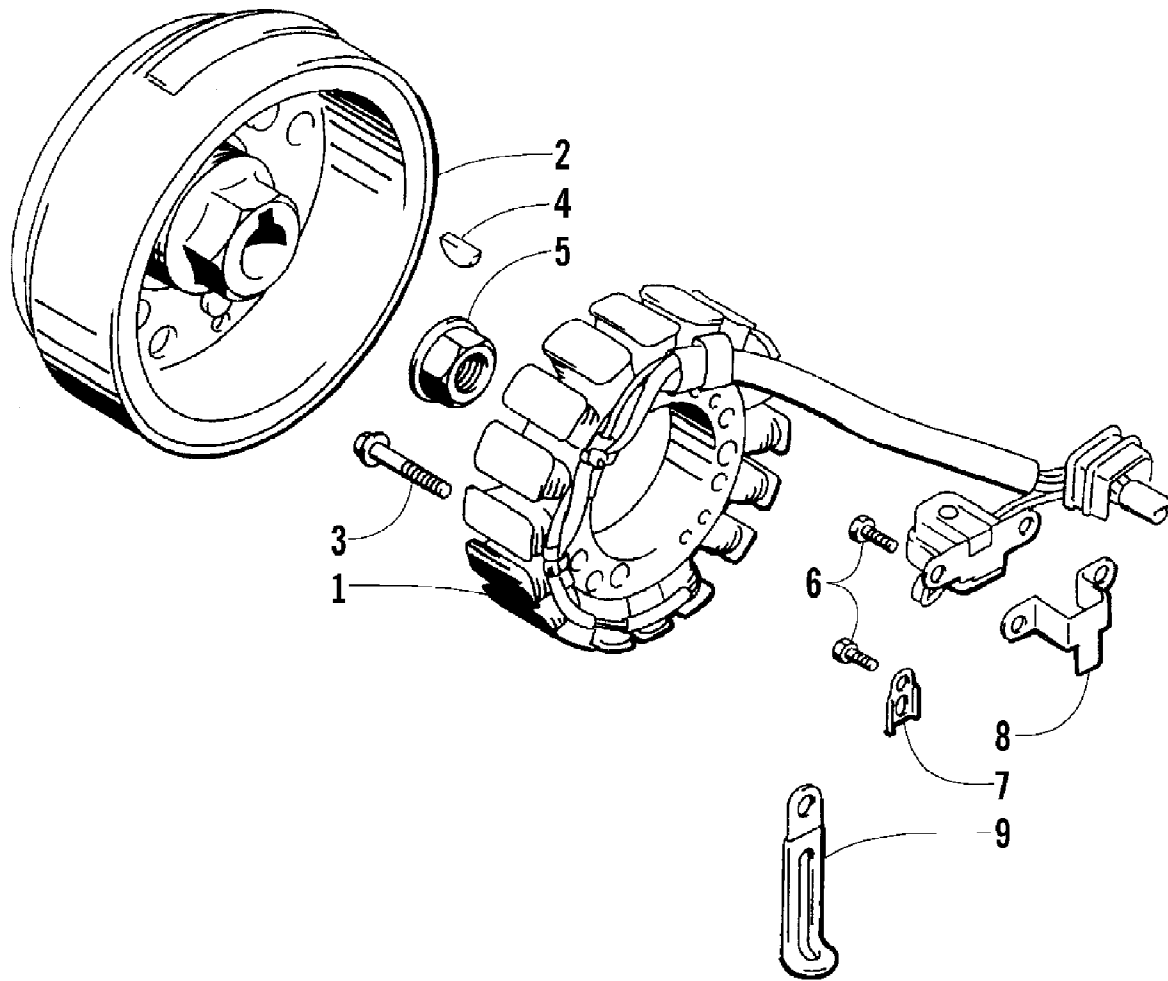
Ref #	Part Number	Qty	S/P/F	Description
1	0502-130	1	S	Master Cylinder Assembly (inc. 2-9)
2	0402-545	2		Screw, Machine
3	0402-588	1		Cover, Reservoir
4	0402-591	1		Bladder, Reservoir
5	0402-575	1		Pin, Clevis
6	0402-592	2		Nut
7	0402-580	1		Push-Rod, Actuator
8	0402-584	1		Clip, Hairpin
9	0402-583	1		Washer
10	0502-203	1	/P	Lever, Foot Brake
11	0402-788	1		Axle, Foot Brake
12	0423-096	2		O-Ring
13	0402-516	1		Spring, Foot Brake
14	8422-002	1		Nut
15	0406-763	1		Bracket, Brake Switch
16	0402-488	1	S	Caliper, Brake
17	8408-825	2		Screw, Cap
18	0423-039	4		Washer, Crush
19	0423-038	2	S	Bolt, Oil
20	8476-616	2		Screw, Machine
21	0409-009	1		Switch, Brake
22	0402-512	1		Hose, Brake
23	0402-168	1	/P	Retainer, Brake Switch
24	8408-830	2		Screw, Cap
25	0402-482	1	S	Disc, Brake



2001 500 CC AUTOMATIC TRANSMISSION (RED) (A2001ATM4BUSR)
HYDRAULIC HAND BRAKE ASSEMBLY

Page 50 of 90

Ref #	Part Number	Qty	S/P/F	Description
1	0502-231	1	S	Cylinder, Master - Assembly (inc. 2-13)
2	0402-818	1	/P	Lever, Brake
3	0402-549	1	S	Screw
4	0402-557	1	S	Nut, Lock
5	0402-544	1		Cover, Reservoir
6	0402-553	1		Bladder, Reservoir
7	0402-545	2		Screw
8	0402-558	1	S	Clamp, Master Cylinder
9	0402-562	2	S	Screw
10	0402-546	1	S	Lever, Brake - Lock
11	0402-547	1	S	Rivet
12	0402-559	1		Spring, Lever Lock
13	0402-561	1	S	Washer, Lock - Retaining
14	0402-050	1	S	Hose, Brakeline
15	8476-625	1		Screw, Machine

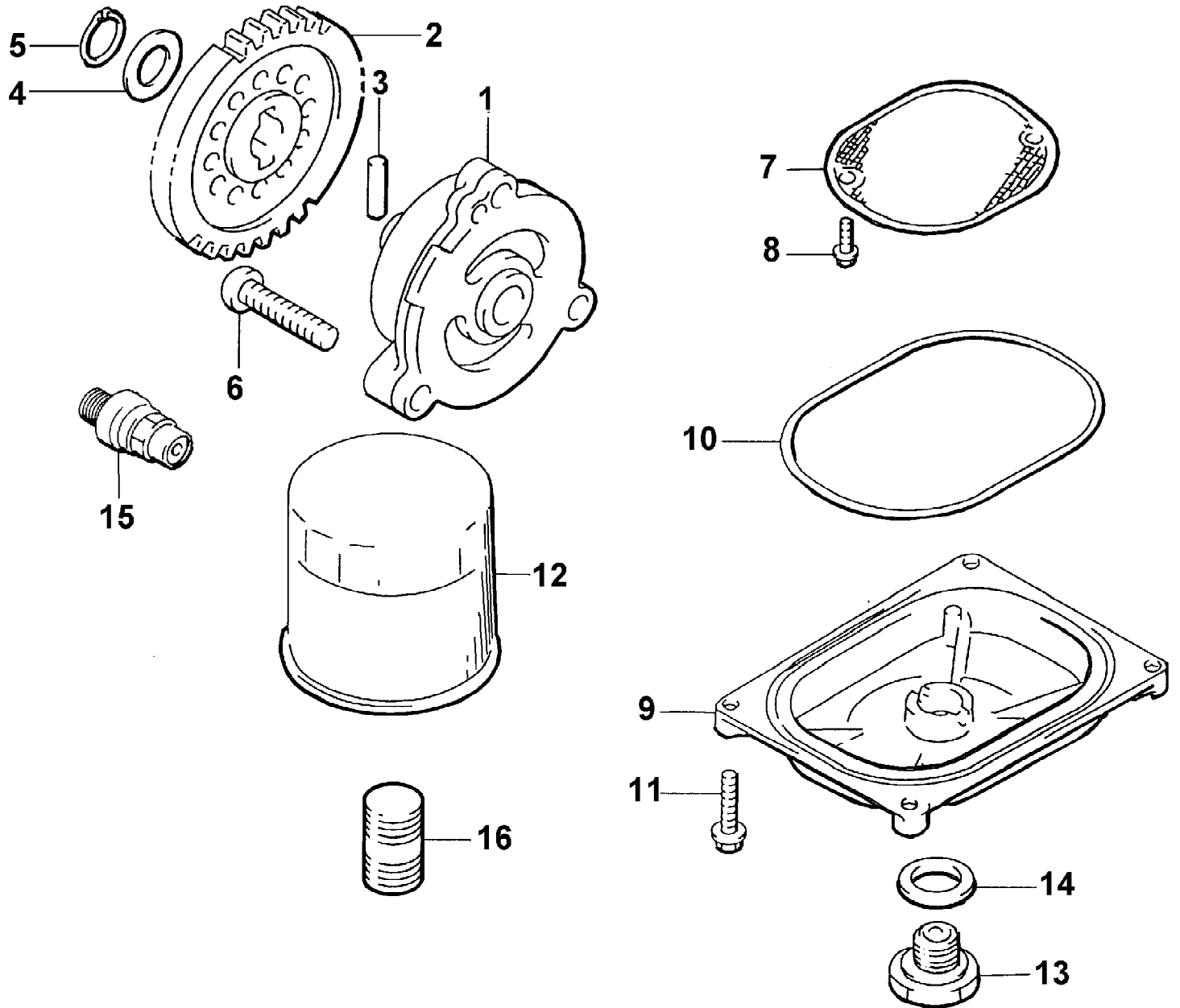


2001 500 CC AUTOMATIC TRANSMISSION (RED) (A2001ATM4BUSR)
MAGNETO ASSEMBLY

Page 52 of 90

Ref #	Part Number	Qty	S/P/F	Description
1	3430-045	1		Stator Assembly
2	3430-046	1		Rotor/Flywheel
3	3423-162	3	S	Bolt, Magneto
4	0691-785	1		Key, Magneto
5	3423-086	1		Nut, Magneto
6	3423-005	3	/P	Bolt
7	3430-005	1		Clamp, Magneto (No. 1)
8	3430-006	1		Clamp, Magneto (No. 2)
9	3002-964	1	/P	Clamp, Wire

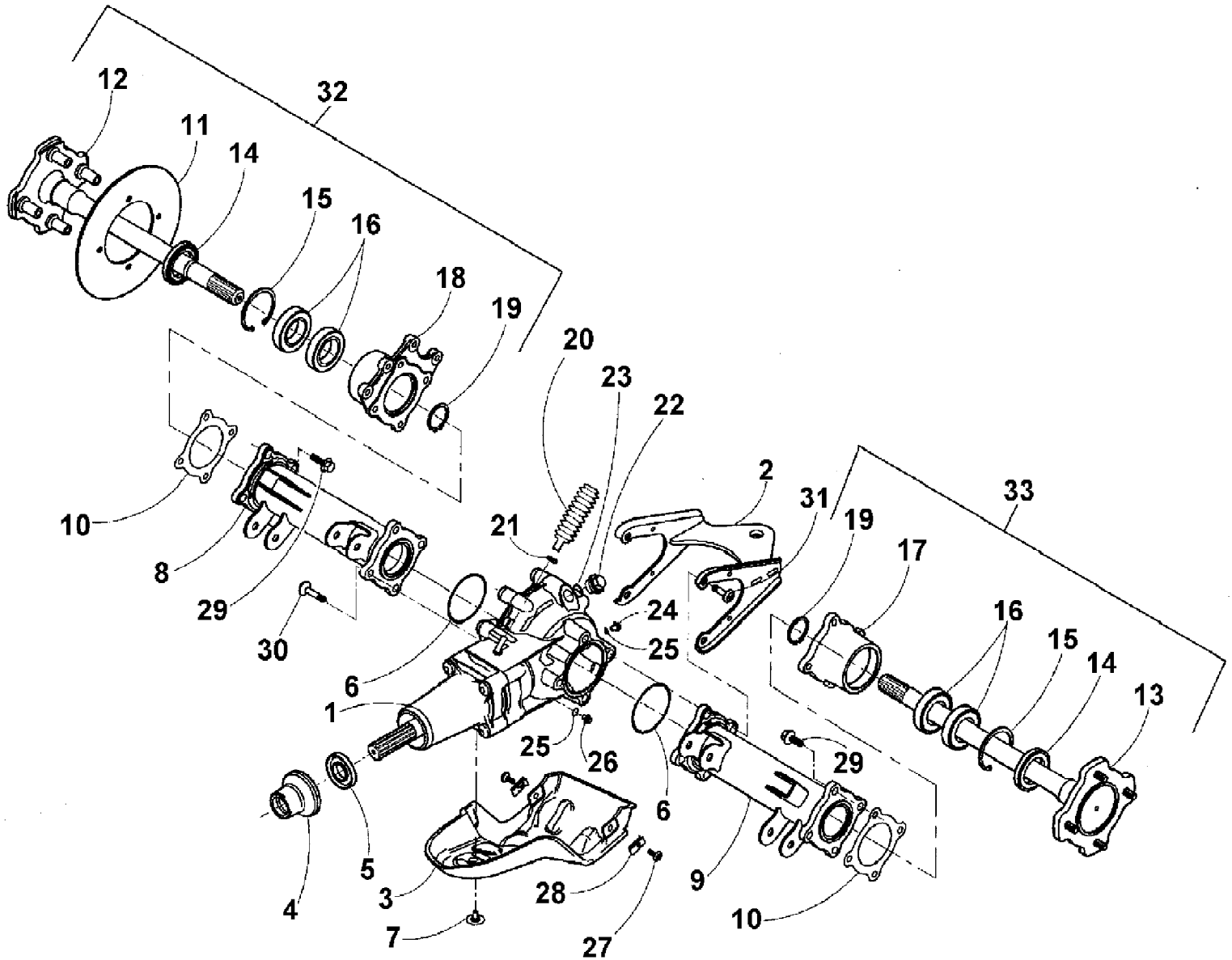
2001 500 CC AUTOMATIC TRANSMISSION (RED) (A2001ATM4BUSR)
OIL FILTER/PUMP ASSEMBLY



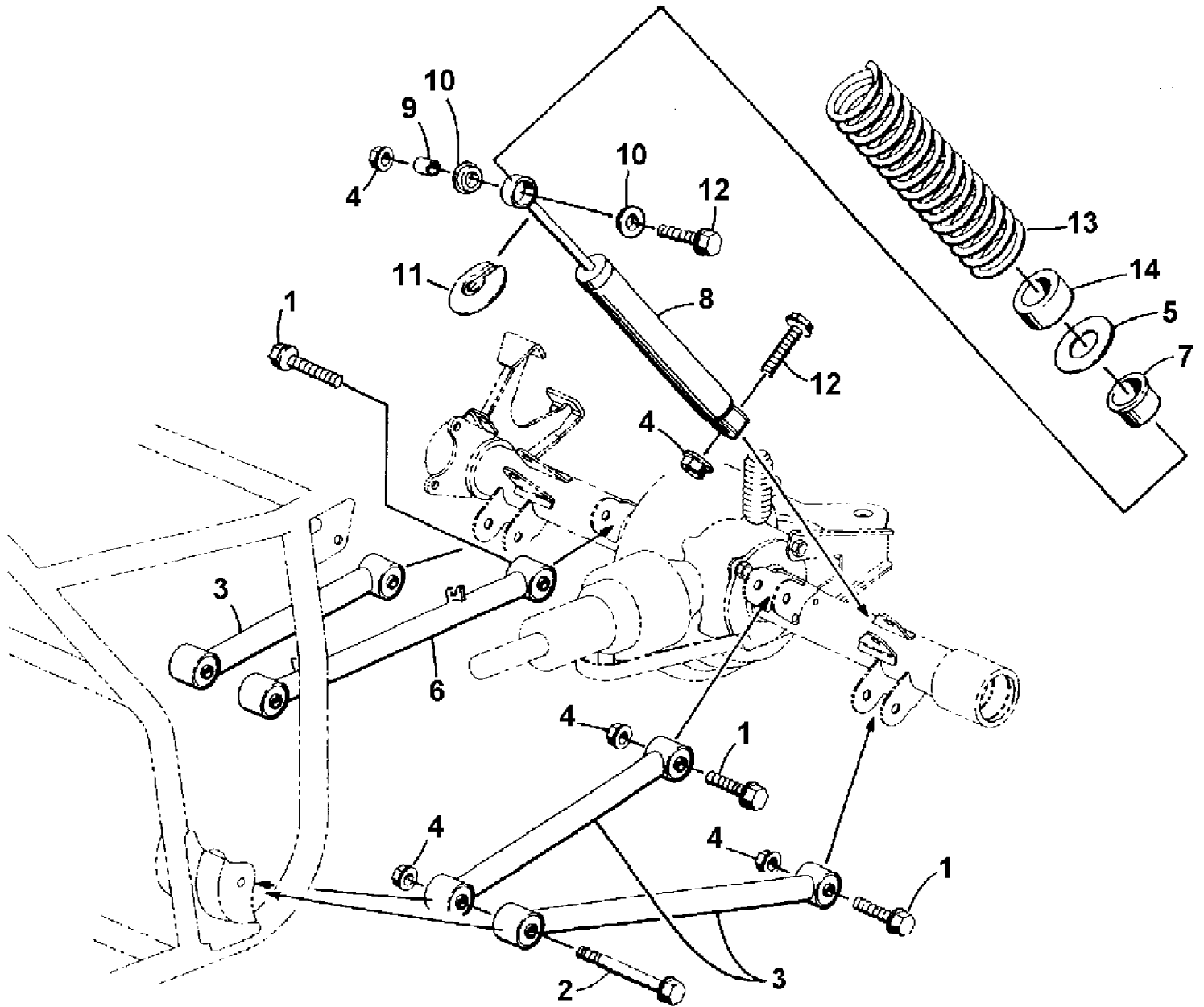
2001 500 CC AUTOMATIC TRANSMISSION (RED) (A2001ATM4BUSR)
OIL FILTER/PUMP ASSEMBLY

Page 54 of 90

Ref #	Part Number	Qty	S/P/F	Description
1	3402-462	1		Pump, Oil
2	3402-463	1		Gear, Driven
3	3423-046	1		Pin
4	3423-115	1		Washer
5	3423-184	1	S	Circlip
6	3423-113	3	S/P	Screw
7	3402-156	1		Strainer, Oil
8	0693-389	2	S	Screw
9	3402-157	1		Cap, Oil Strainer
10	3423-077	1		O-Ring
11	3004-756	4	S	Screw, Cap
12	0436-146	1	S	Filter, Oil
13	3402-036	1	S	Plug, Drain
14	3402-012	1		Gasket, Drain Plug
15	3402-154	1		Valve, Oil Relief - Assembly
16	3402-158	1	S	Union, Oil Filter



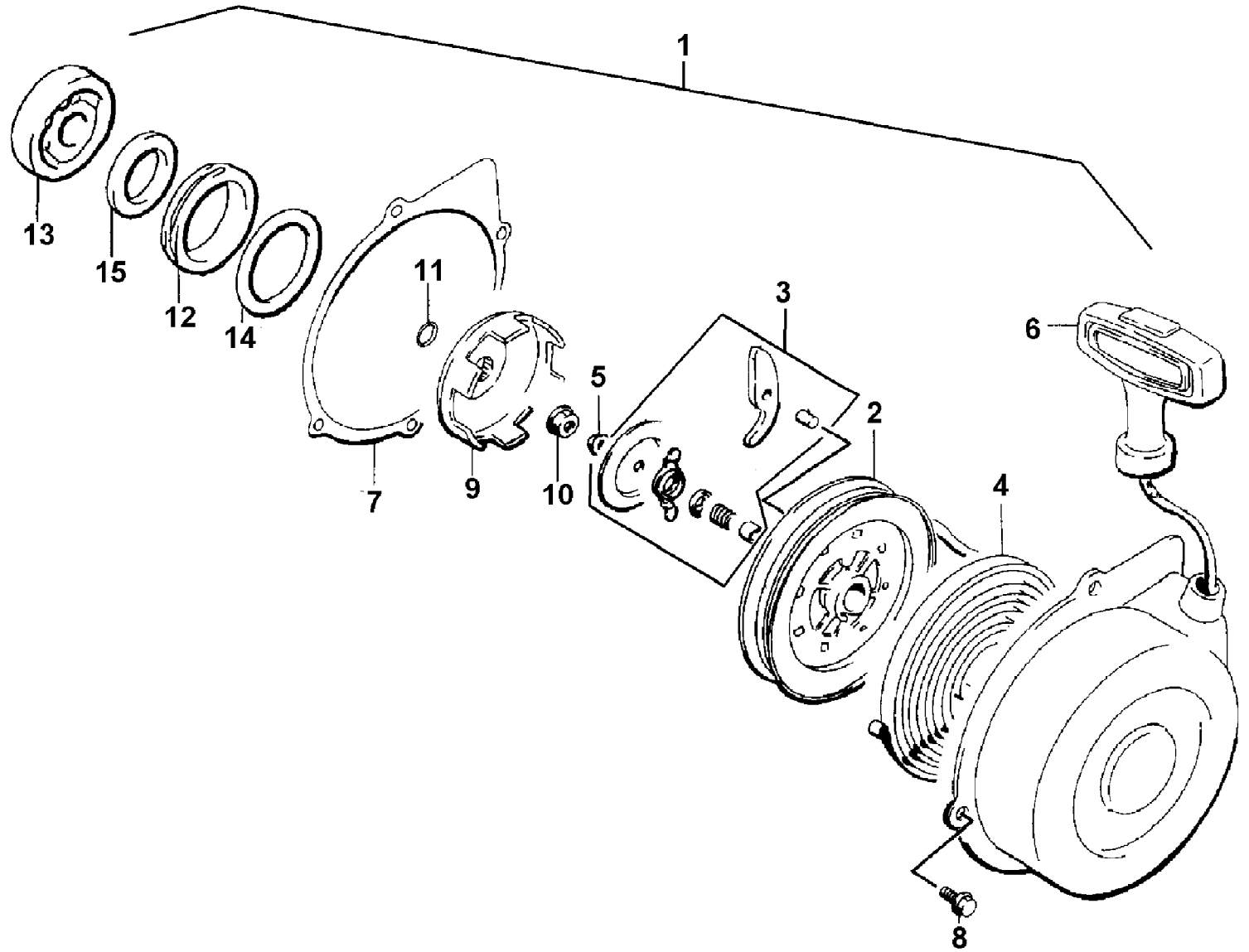
Ref #	Part Number	Qty	S/P/F	Description
1	0502-108	1		Gear Case Assembly
2	0506-300	1		Hitch, Trailer
3	0406-415	1		Panel, Gear Case - Right
4	0402-352	1		Slinger, Rear Drive - Right
5	0402-323	1		Seal, Rear Drive Slinger
6	0423-119	2		O-Ring
7	0423-101	1		Screw, Body
8	0502-090	1		Housing, Axle - Right
9	0502-091	1		Housing, Axle - Left
10	0402-374	2		Gasket, Axle Housing
11	0402-482	1	S	Disc, Brake
12	0502-112	1	S/P	Axle Assembly - Right
13	0502-113	1	S/P	Axle Assembly - Left
14	0402-348	2		Seal
15	0402-347	2		Ring, Retaining
16	0402-339	4		Bearing
17	0502-097	1	S	Housing, Bearing - Left
18	0502-138	1		Housing, Bearing - Right
19	0402-351	2		Ring, Retaining
20	0402-147	1	S	Bladder, Rear Drive Case
21	0423-315	1		Clamp, Double Wire
22	0402-333	1	/P	Plug, Fill
23	0423-154	1		O-Ring, Fill Plug
24	0402-334	1		Plug, Drain
25	0423-153	2		O-Ring, Drain Plug
26	0402-450	1	S	Plug, Drain - Magnetic
27	8477-616	2		Screw, Machine
28	0423-031	2		Nut, Speed
29	8409-025	8		Screw, Cap
30	0423-117	4		Screw, Self-Tapping
31	0423-116	4		Screw, Self-Tapping
32	0502-140	1		Retainer, Axle - Assembly - Right (inc. 11-12, 14-16, and 18-19)
33	0502-107	1	/P	Retainer, Axle - Assembly - Left (inc. 13-17 and 19)



2001 500 CC AUTOMATIC TRANSMISSION (RED) (A2001ATM4BUSR)
REAR SUSPENSION ASSEMBLY

Page 58 of 90

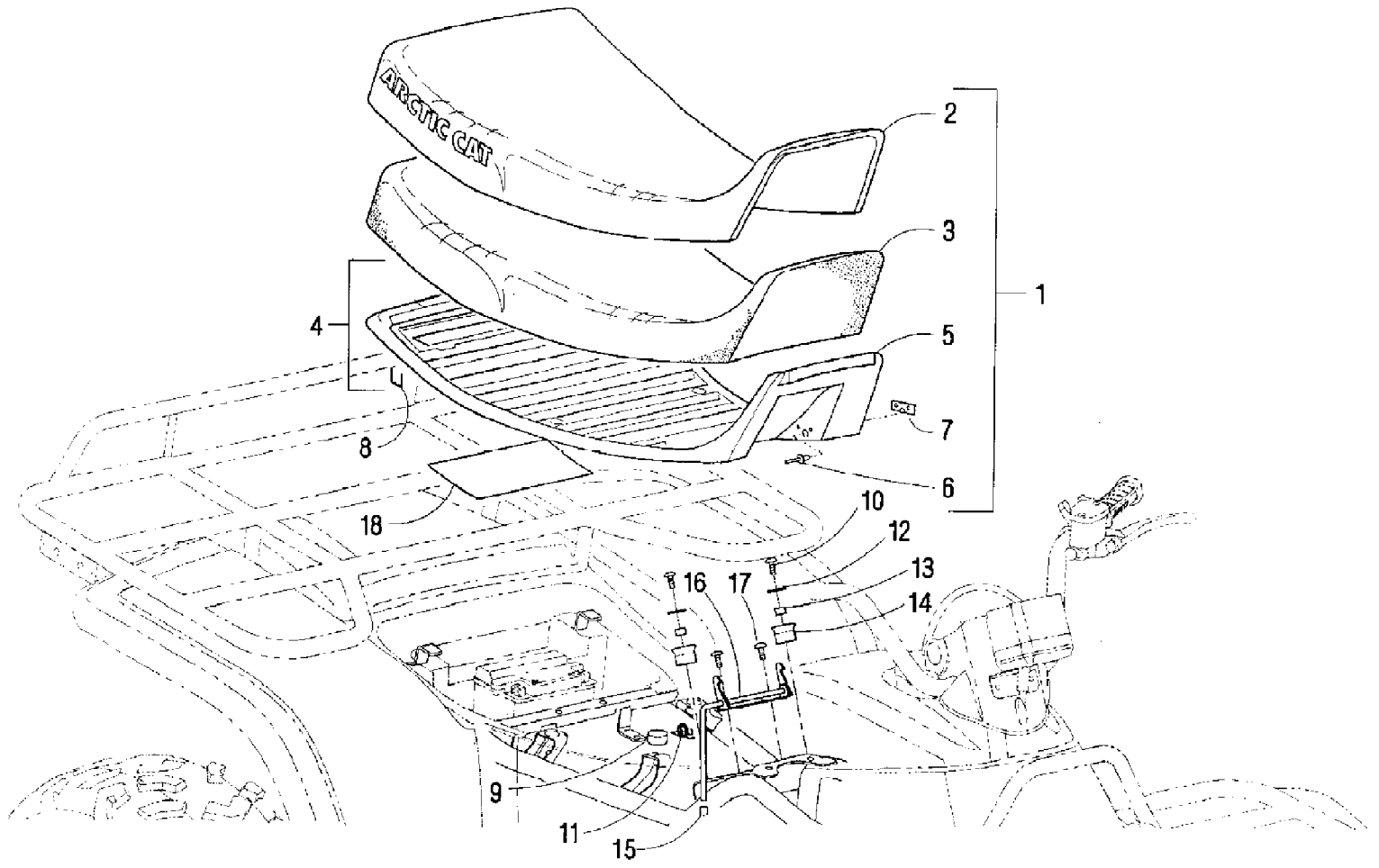
Ref #	Part Number	Qty	S/P/F	Description
1	8409-060	4		Screw, Cap
2	8409-000	2		Screw, Cap
3	0504-001	3		Arm, Swing
4	8428-002	8		Nut, Lock
5	0403-013	2		Washer, Spring Adjustment
6	0504-040	1		Arm, Swing
7	0403-027	2		Retainer, Spring - Lower
8	0404-001	2		Shock Absorber - Rear (inc. 9-10)
9	0403-028	4		Sleeve, Shock
10	0604-310	8		Bushing, Shock Absorber
11	0603-033	2	S	Retainer, Spring
12	8409-040	4		Screw, Cap
13	0404-006	2	/P	Spring, Shock Absorber
14	0403-025	2	/P	Collar, Spring



2001 500 CC AUTOMATIC TRANSMISSION (RED) (A2001ATM4BUSR)
RECOIL STARTER ASSEMBLY

Page 60 of 90

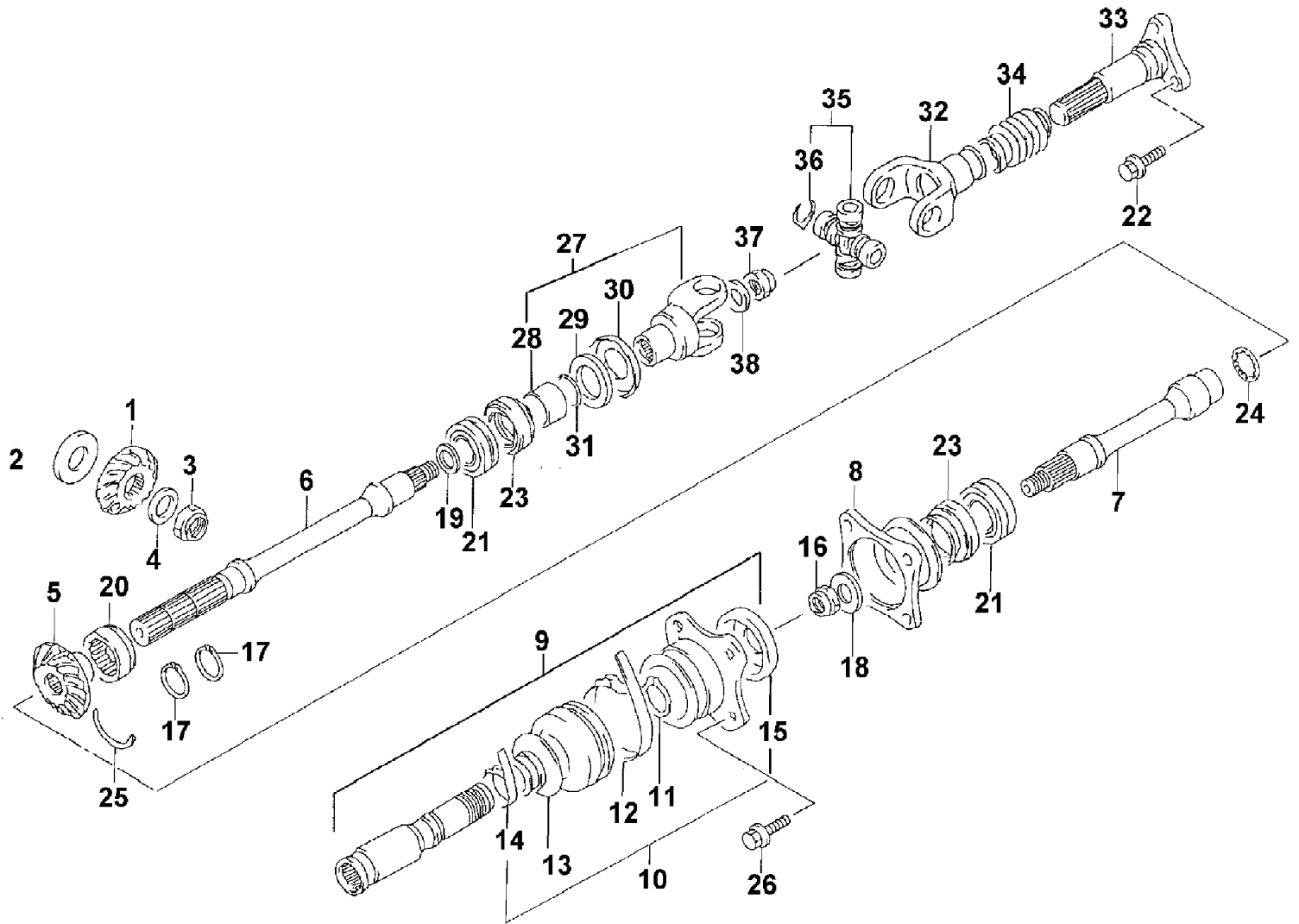
Ref #	Part Number	Qty	S/P/F	Description
1	3445-003	1		Starter, Recoil - Assembly (inc. 2-6)
2	3445-004	1		Reel
3	3445-016	1		Ratchet Assembly
4	3445-007	1		Spring, Spiral
5	3004-488	1	S/P	Nut
6	3445-011	1		Rope Assembly
7	3445-013	1	/P	Gasket
8	3423-112	4	S	Screw, Cap
9	3445-027	1	S	Cup, Starter
10	3004-491	1	S/P	Nut
11	3423-053	1	/P	O-Ring
12	3402-119	1	S	Spacer
13	3402-051	1		Bearing
14	3423-063	1		O-Ring
15	3402-070	1		Seal, Oil



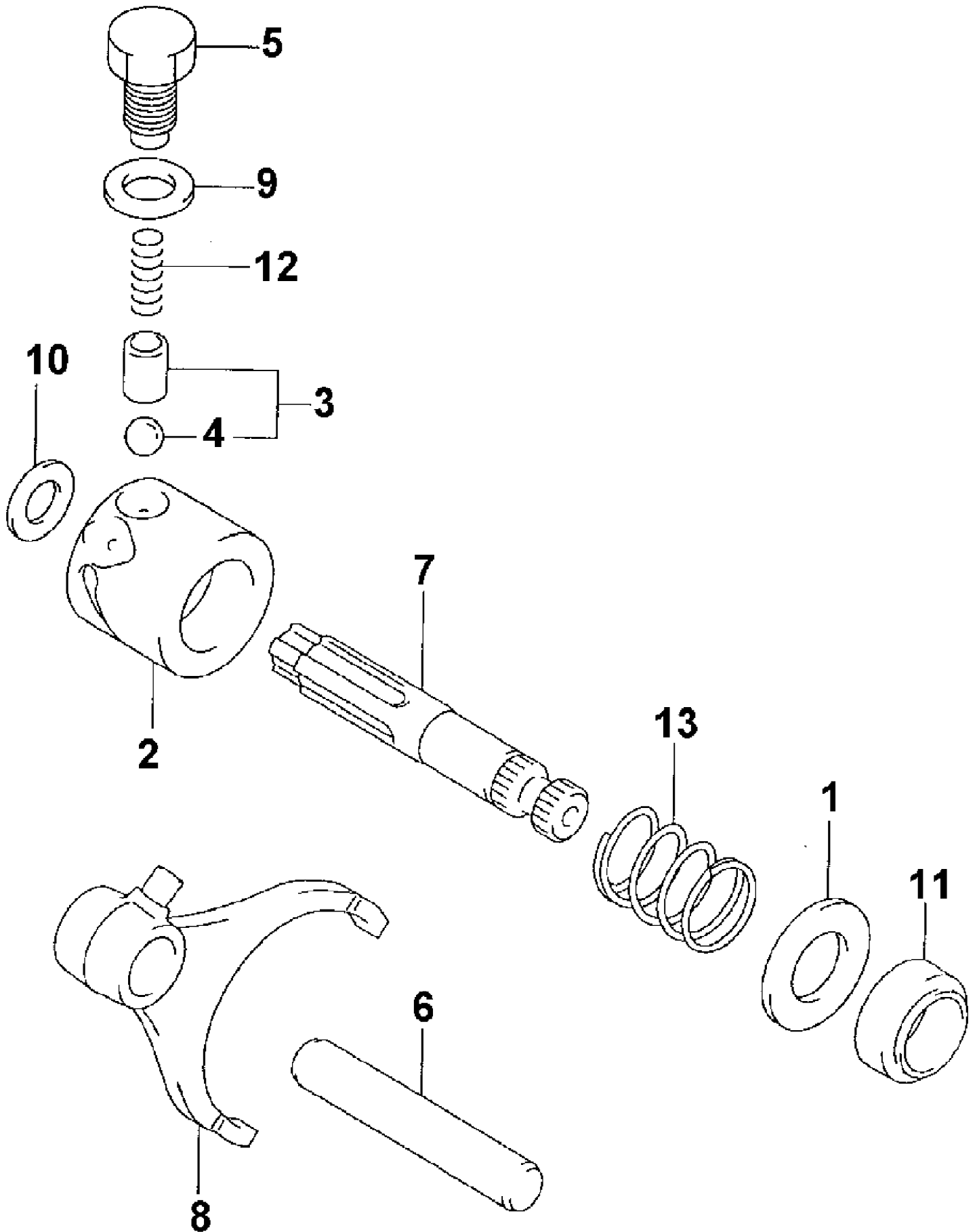
2001 500 CC AUTOMATIC TRANSMISSION (RED) (A2001ATM4BUSR)
SEAT ASSEMBLY

Page 62 of 90

Ref #	Part Number	Qty	S/P/F	Description
1	5990-176	1	/P	Seat Assembly (inc. 2-8)
2	0506-290	1		Cover, Seat
3	0506-291	1		Foam, Seat
4	0506-223	1	/P	Base, Seat Assembly (inc. 5-7)
5	0	1	F	Base, Seat
6	8061-628	4		Rivet
7	0506-147	2	S	Pin, Seat Base - Front
8	0624-100	AR		Staple
9	0406-309	2		Grommet, Seat - Center
10	8476-620	2		Screw, Cap
11	0406-235	1		Spring, Seat Latch
12	8050-217	2	/P	Washer
13	0406-199	2		Collar, Front Seat Base
14	0406-171	2		Bumper, Seat Base - Front
15	0623-404	1		Cap, Protector
16	0406-490	1		Latch, Seat - Assembly
17	8477-616	2		Screw, Machine
18	0411-182	1		Decal, Cold Start



Ref #	Part Number	Qty	S/P/F	Description
1	3402-510	1	S	Gear, Secondary Drive
2	3446-035	1		Shim, Secondary Drive Gear - Set
3	3423-023	1		Nut
4	3005-372	1		Washer
5	3402-511	1	S	Gear, Secondary Driven
6	3402-512	1		Shaft, Secondary Driven - Front
7	3402-513	1		Shaft, Secondary Driven - Rear
8	3402-514	1	/P	Flange, Output Joint - Rear
9	3435-010	1		Joint, Rear Output - Assembly (inc. 10-15)
10	3435-066	1		Boot, Joint - Set (inc. 11-15)
11	3423-210	1		Ring, Snap
12	3423-211	1		Band
13	3435-067	1		Boot
14	3423-212	1		Band
15	3423-356	1		Seal, Plate
16	3423-025	1		Nut, Rear Output Joint
17	3423-340	2	S	Circlip, Secondary Driven Gear
18	3423-028	1		Washer, Rear Output Flange
19	3402-017	AR		Shim, 25 x 34 x 0.60 mm
19	3402-018	AR		Shim, 25 x 34 x 0.65 mm
19	3402-019	AR		Shim, 25 x 34 x 0.70 mm
19	3402-020	AR		Shim, 25 x 34 x 0.75 mm
19	3402-021	AR	S	Shim, 25 x 34 x 0.80 mm
19	3402-022	AR		Shim, 25 x 34 x 0.85 mm
19	3402-023	AR		Shim, 25 x 34 x 0.90 mm
19	3402-024	AR		Shim, 25 x 34 x 0.95 mm
19	3402-025	AR	S	Shim, 25 x 34 x 1.00 mm
19	3402-028	AR		Shim, 25 x 34 x 1.05 mm
19	3402-029	AR		Shim, 25 x 34 x 1.10 mm
19	3402-030	AR		Shim, 25 x 34 x 1.15 mm
19	3402-031	AR		Shim, 25 x 34 x 1.20 mm
20	3402-515	1	/P	Bearing, Driven Gear
21	3402-067	2	S	Bearing, Driven Shaft
22	8409-020	3	/P	Bolt, Propeller Shaft
23	3402-072	2		Seal, Oil - Driven Shaft
24	3423-415	1		Washer, Driven Shaft
25	3423-072	1		Ring, Driven Bearing
26	8408-820	4	/P	Bolt, Output Joint - Rear
27	3435-090	1	/P	Yoke, Drive Output - Front (inc. 28-31)
28	3435-029	1		Collar, Yoke
29	3435-030	1		Plate, Yoke Collar
30	3423-035	1		Plate, Yoke Collar
31	3423-060	1		O-Ring, Yoke Collar
32	3402-516	1		Yoke, Propeller Shaft Joint
33	0502-161	1		Shaft, Propeller
34	3402-518	1	S	Boot, Propeller Shaft
35	3435-011	1		Joint, Universal - Set (inc. 36)
36	3423-067	4		Circlip, Universal Joint
37	3423-025	1		Nut, Yoke - Front
38	3423-028	1		Washer, Yoke - Front

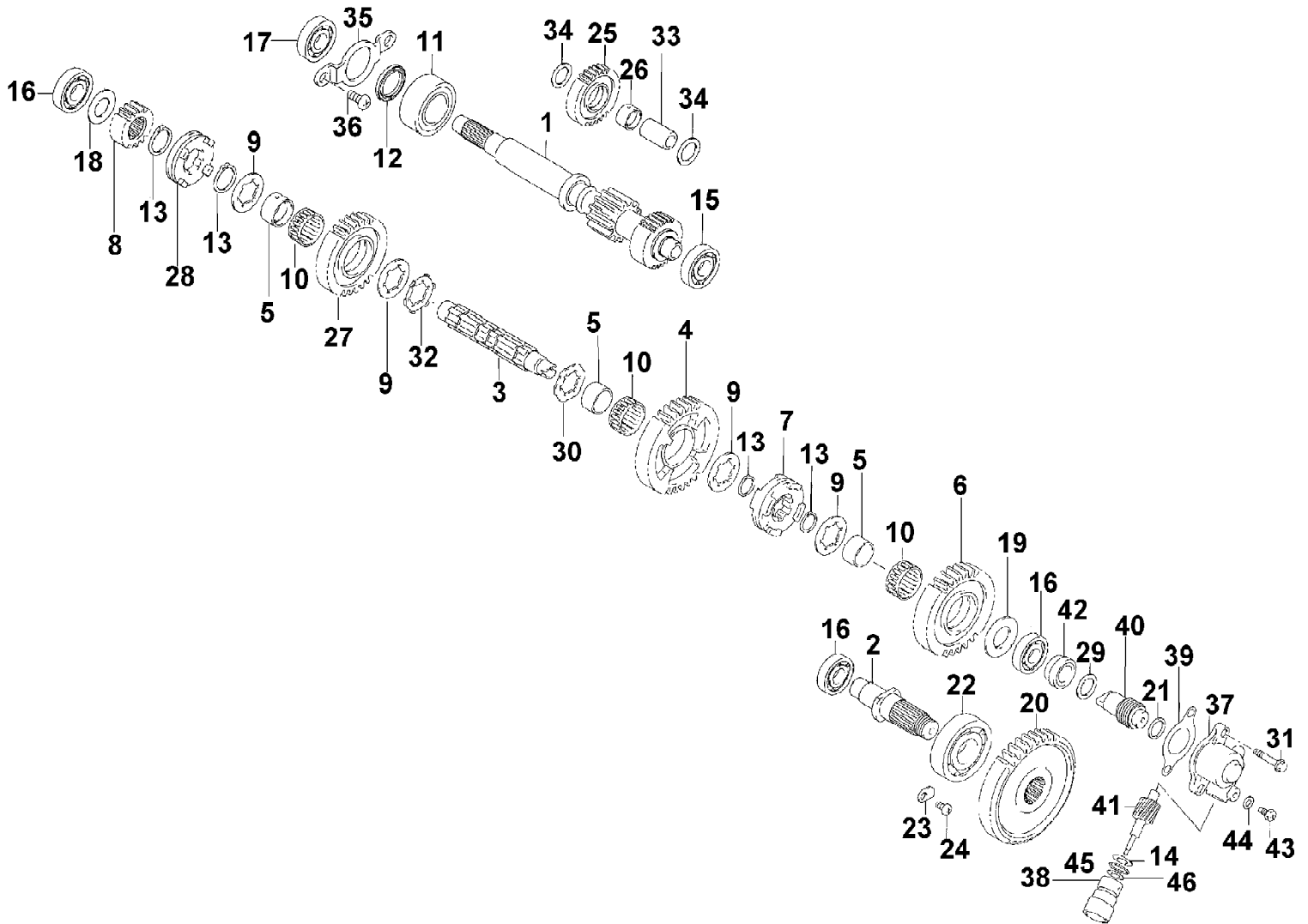


2001 500 CC AUTOMATIC TRANSMISSION (RED) (A2001ATM4BUSR)
SECONDARY GEAR SHIFT ASSEMBLY

Page 66 of 90

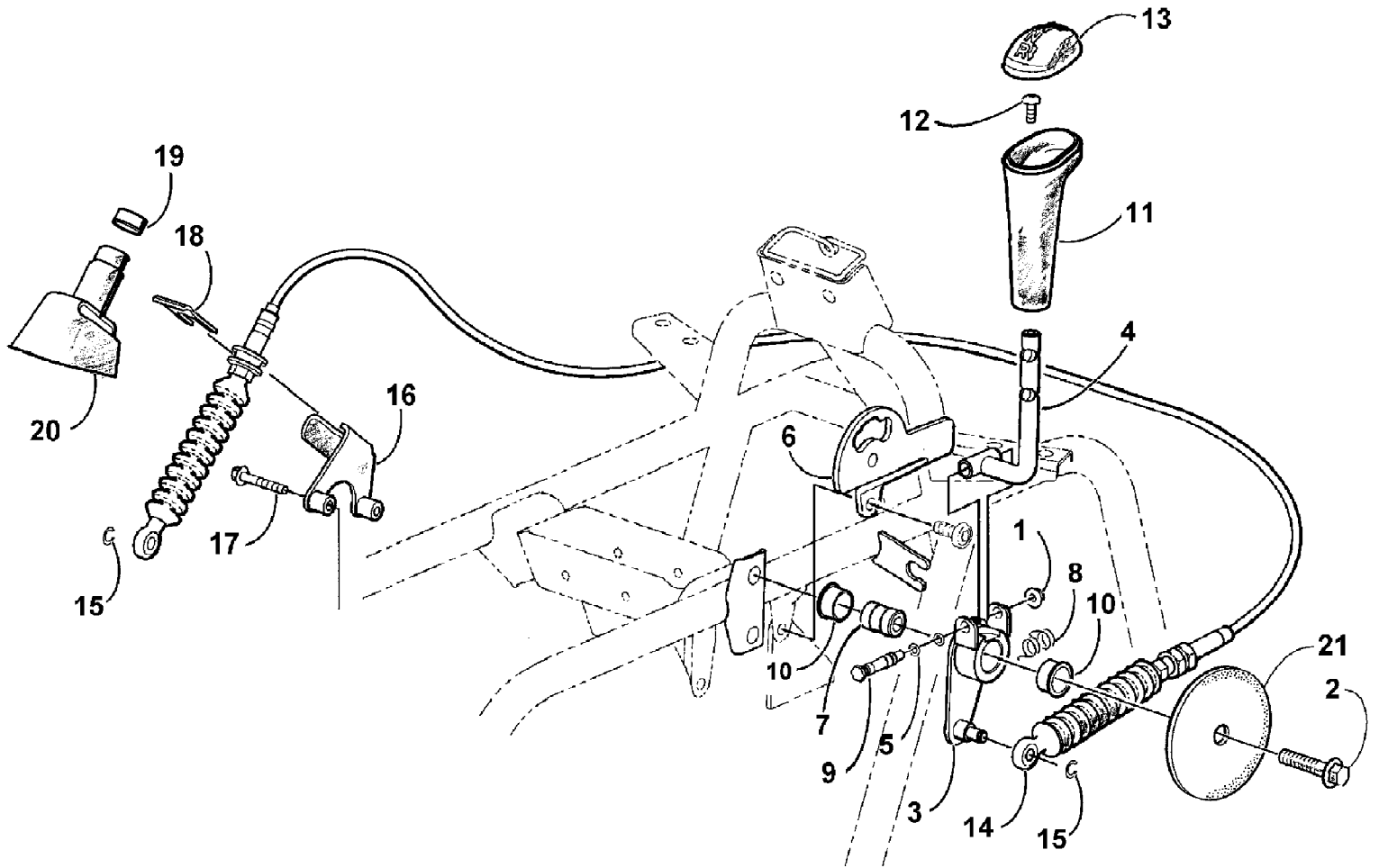
Ref #	Part Number	Qty	S/P/F	Description
1	3423-339	1		Washer, Cam - Left
2	3446-203	1		Cam, Select
3	3446-119	1	/P	Stopper, Cam (inc. 4)
4	3446-118	1		Ball, Steel
5	3446-046	1		Housing, Cam Stopper
6	3446-202	1		Shaft, Shift Fork
7	3446-204	1		Camshaft
8	3446-205	1		Fork, Shift
9	3402-012	1		Gasket, Cam Stopper
10	3423-300	1		Washer, Cam
11	3402-076	1		Seal, Oil - Cam
12	3402-089	1		Spring, Cam Stopper
13	3402-311	1		Spring, Cam

2001 500 CC AUTOMATIC TRANSMISSION (RED) (A2001ATM4BUSR)
SECONDARY TRANSMISSION ASSEMBLY



2001 500 CC AUTOMATIC TRANSMISSION (RED) (A2001ATM4BUSR)
SECONDARY TRANSMISSION ASSEMBLY

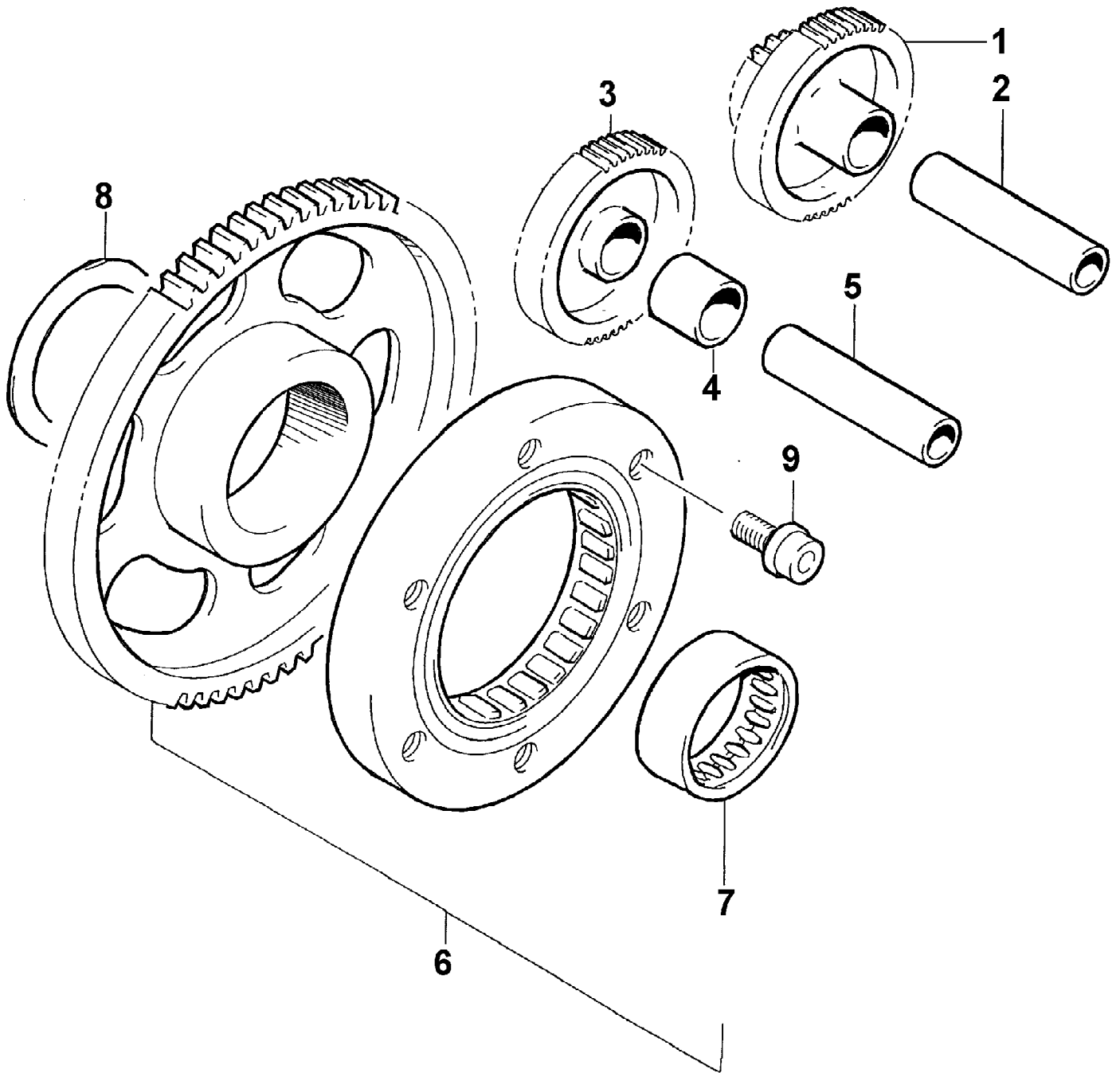
Ref #	Part Number	Qty	S/P/F	Description
1	3402-524	1		Driveshaft
2	3402-491	1		Shaft, Output
3	3402-492	1		Countershaft
4	3402-493	1	S	Gear, Driven - Low
5	3402-494	3		Bushing
6	3402-495	1		Gear, Driven - High
7	3402-496	1		Dog, Sliding
8	3402-497	1		Gear, Drive - No. 2
9	3423-263	4		Washer
10	3402-498	3		Bearing
11	3402-499	1		Bearing, Driveshaft
12	3402-500	1	S	Seal, Driveshaft
13	3423-066	4	/P	Circlip
14	3423-144	1		Washer, Driven Gear
15	3003-261	1	/P	Bearing, Driveshaft - Left
16	3402-045	3	/P	Bearing, Shaft
17	3402-490	1		Bearing, Driveshaft
18	3423-411	1		Washer, Drive Gear - Right
19	3423-412	1		Washer, Drive Gear
20	3402-501	1	S	Gear, Driven - No. 2
21	3423-145	1		Washer, Drive Gear
22	3402-502	1		Bearing, Output Shaft
23	3446-031	2	/P	Retainer, Bearing
24	3004-552	2	S	Screw, Bearing Retainer
25	3402-503	1		Gear, Reverse Idle
26	3402-504	1		Bushing, Reverse Idle Gear
27	3402-505	1		Gear, Reverse Driven
28	3402-506	1		Dog, Reverse Gear
29	3423-146	1		Washer, Drive Gear - Right
30	3423-262	1		Washer, Lock
31	3423-346	2	S	Bolt, Gear Sleeve
32	3423-266	1		Washer, Lock
33	3402-507	1		Shaft, Reverse Idle
34	3402-195	2		Washer, Reverse Idle Gear
35	3423-410	1		Retainer, Driveshaft Bearing
36	3423-018	2		Screw, Bearing Retainer
37	3446-057	1		Housing, Speedometer Gear
38	3446-058	1		Sleeve
39	3446-244	1	/P	Gasket
40	3402-508	1		Gear, Drive
41	3402-509	1		Gear, Driven
42	3446-114	1	/P	Spacer, Driven Gear
43	3423-143	1	S	Bolt, Gear
44	3402-009	1	/P	Washer, Driven
45	3423-056	1		O-Ring
46	3402-077	1		Seal, Driven Gear



2001 500 CC AUTOMATIC TRANSMISSION (RED) (A2001ATM4BUSR)
SHIFT LEVER ASSEMBLY

Page 70 of 90

Ref #	Part Number	Qty	S/P/F	Description
1	8424-602	1	/P	Nut, Flex
2	8409-045	1		Screw, Cap
3	0502-202	1		Hub, Shift Lever
4	0502-158	1		Lever, Shift
5	0423-182	2	/P	O-Ring
6	0402-747	1		Plate, Shift
7	0402-571	1		Axle, Shift Lever Hub
8	0402-742	1		Spring
9	0402-741	1		Axle, Shift Lever Pivot
10	0402-513	2		Bushing, Flange
11	0402-508	1		Handle, Shift
12	8477-610	1		Screw, Machine
13	0402-781	1		Cap, Shift Handle
14	0487-020	1		Cable, Shift
15	0423-169	2	/P	E-Ring
16	0502-152	1		Bracket, Shift Cable
17	0423-164	2		Screw, Machine
18	3423-282	1		Clip, Shift Cable
19	0624-379	1		Clamp
20	0406-539	1		Cover, Shift Cable
21	0402-816	1		Cover, Shift Lever

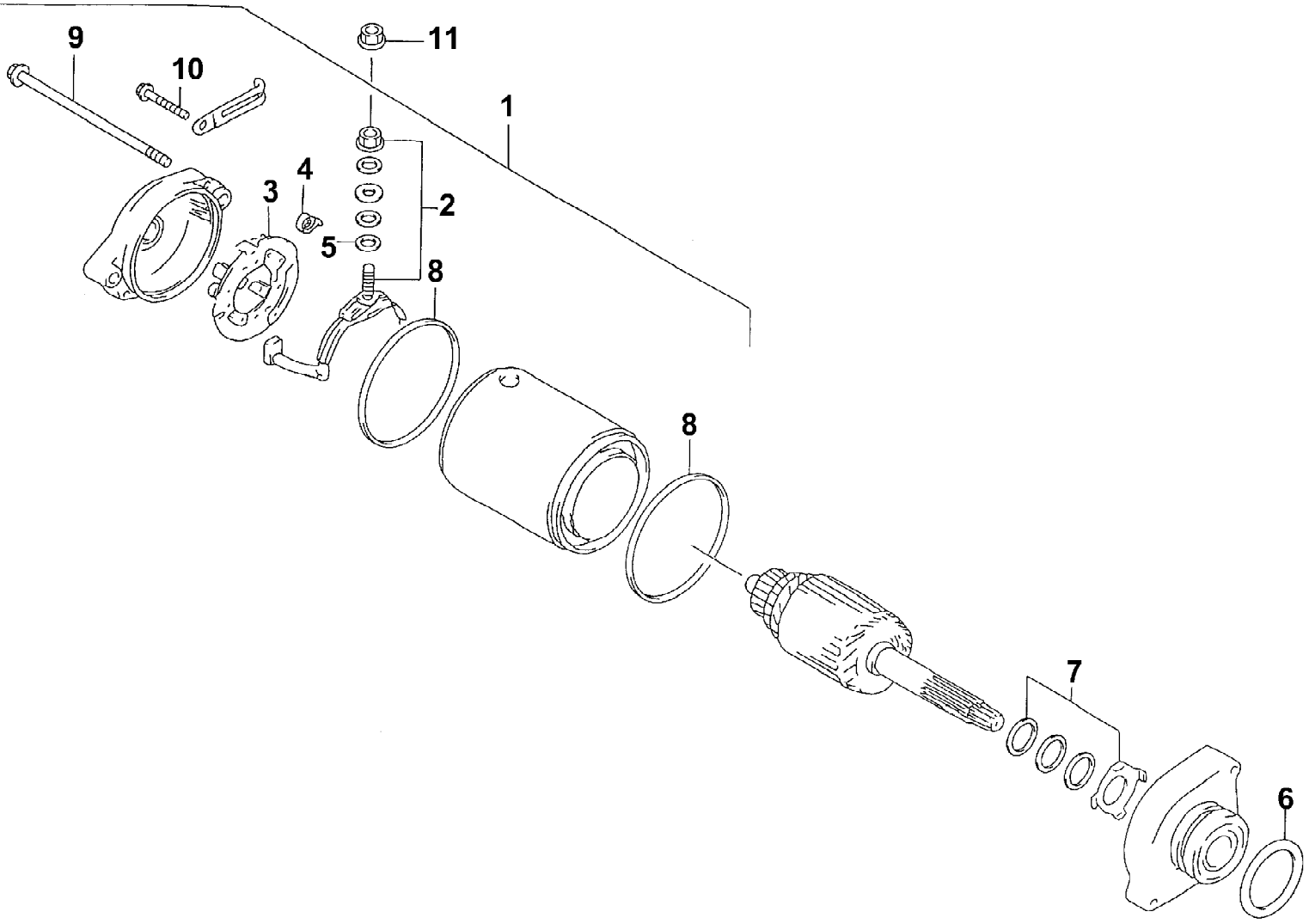


2001 500 CC AUTOMATIC TRANSMISSION (RED) (A2001ATM4BUSR)
STARTER CLUTCH ASSEMBLY

Page 72 of 90

Ref #	Part Number	Qty	S/P/F	Description
1	3402-523	1	S	Gear, Starter Idler - No. 1
2	3423-331	1		Pin
3	3402-349	1		Gear, Starter Idler - No. 2
4	3423-396	1		Spacer, Starter Idler Gear No. 2
5	3423-397	1		Pin
6	3402-457	1		Clutch, Starter - Set (inc. 7)
7	3402-063	1		Bearing
8	3423-104	1		Washer
9	3423-102	6	S	Bolt

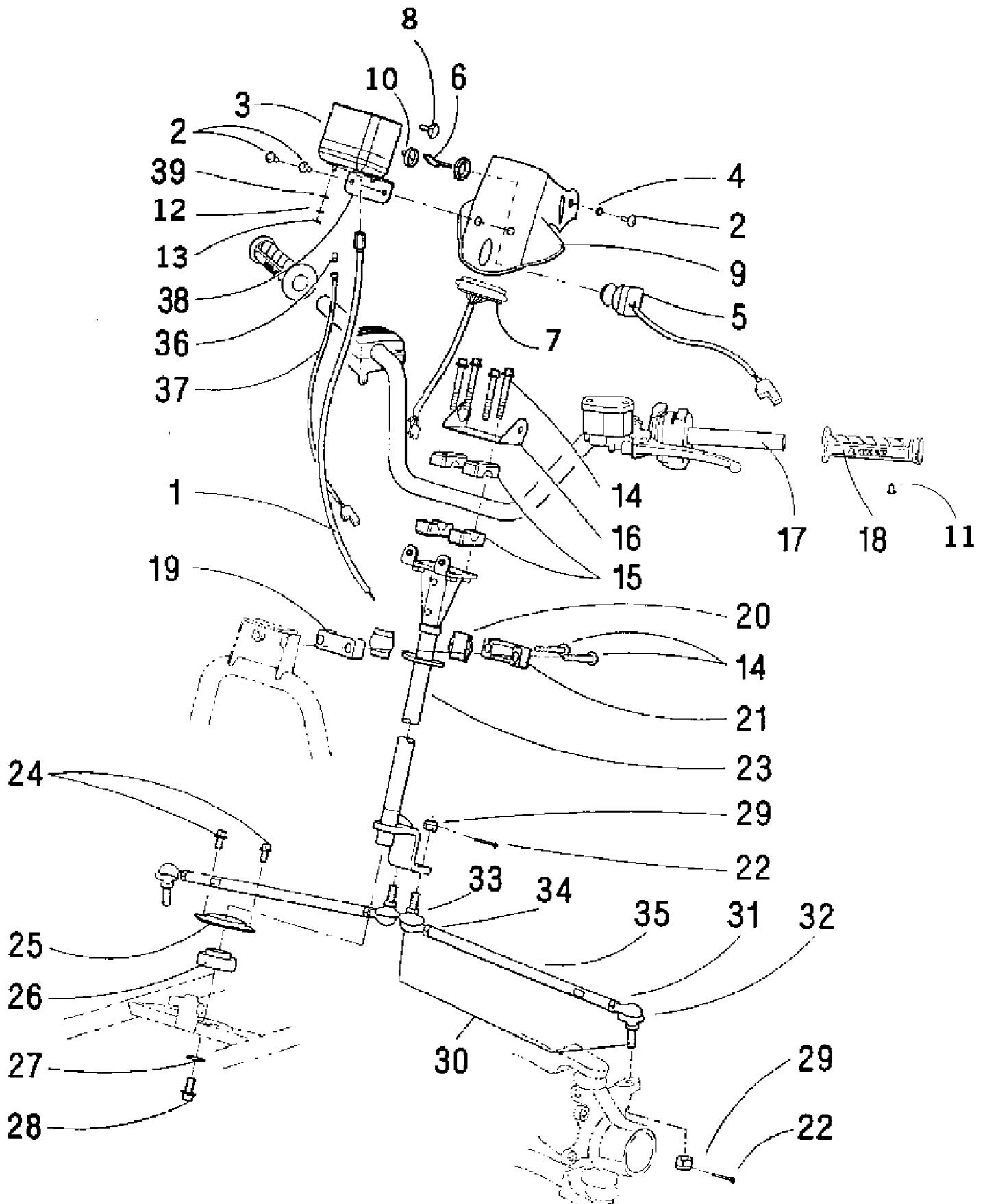
2001 500 CC AUTOMATIC TRANSMISSION (RED) (A2001ATM4BUSR)
STARTER MOTOR ASSEMBLY



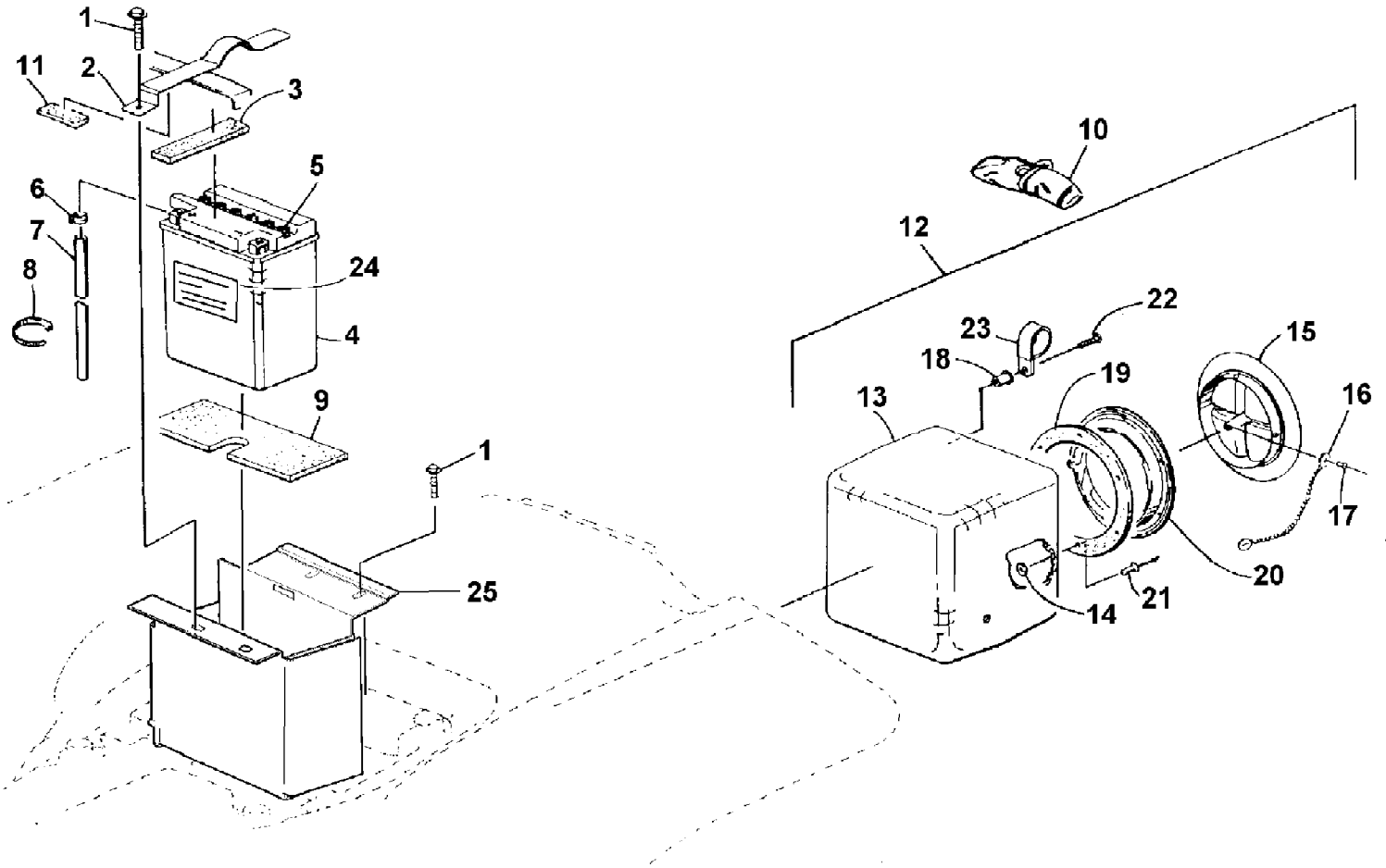
2001 500 CC AUTOMATIC TRANSMISSION (RED) (A2001ATM4BUSR)
STARTER MOTOR ASSEMBLY

Page 74 of 90

Ref #	Part Number	Qty	S/P/F	Description
1	3545-015	1	S	Motor, Starter Assembly (inc. 2-9)
2	3008-094	1	/P	Terminal Set, Brush
3	3008-095	1	/P	Holder Set, Brush
4	3008-096	4		Spring, Brush
5	3008-164	1		O-Ring
6	3423-084	1		O-Ring
7	3436-001	1		Washer Set
8	3008-553	2	/P	O-Ring
9	3423-085	2		Bolt
10	3423-162	2	S	Bolt
11	3423-195	1	/P	Nut

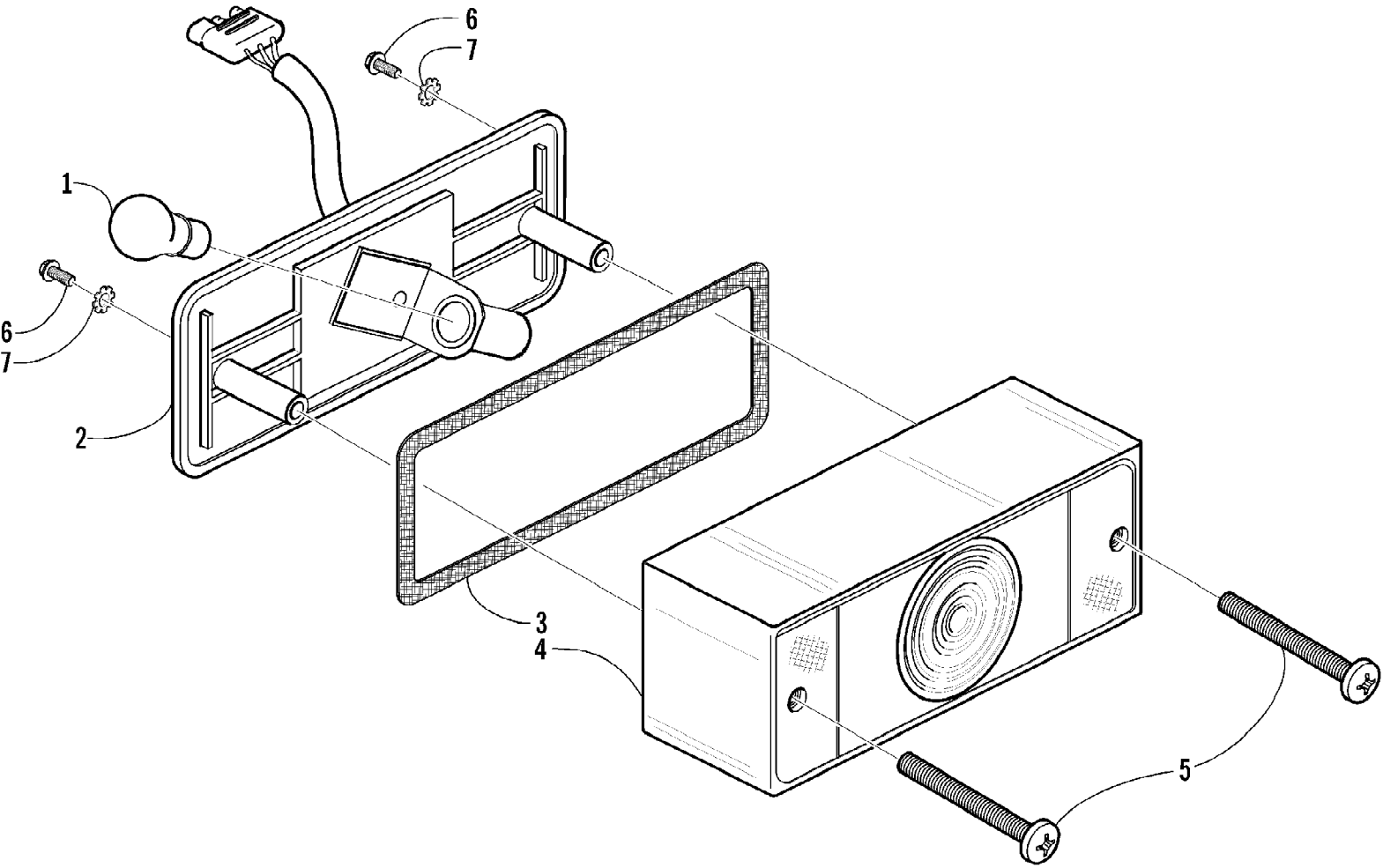


Ref #	Part Number	Qty	S/P/F	Description
1	0487-005	1		Cable, Speedometer
2	8477-616	3		Screw, Machine
3	0420-031	1	/P	Speedometer (inc. 8, 12-13, and 36-41)
4	0423-052	1		Collar, Body
5	3430-040	1		Switch, Ignition - Assembly (inc. 6)
6	3409-007	1	/P	Key, Ignition - Blank (C Series)
6	3409-011	1		Key, Ignition - Blank (D Series)
6	3409-012	1		Key, Ignition - Blank (E Series)
6	3409-013	1		Key, Ignition - Blank (F Series)
7	0420-029	1	S	Panel, Instrument
8	0420-027	1		Knob, Speedometer Trip
9	0405-063	1		Instrument Pod
10	0409-013	1		Cover, Key
11	8060-428	2		Rivet
12	0420-017	2		Washer
13	0420-015	2		Pin, Retainer
14	8408-860	6		Screw, Cap
15	0405-035	4		Cap, Steering Adjuster
16	0506-348	1	/P	Bracket, Ignition Switch
17	0505-028	1	S	Tube, Handlebar
18	0405-039	2	/P	Grip, Handlebar
19	0605-171	1		Housing, Bearing - Lower
20	0405-020	2		Bearing, Steering Post
21	0605-147	1	S	Housing, Bearing - Upper
22	0423-151	4		Clip, Hairpin
23	0505-073	1	S	Post, Steering
24	8408-816	2		Screw, Cap
25	0602-233	1		Flange, Bearing
26	0405-052	1		Bearing w/Inverted Oil Seal
27	0423-073	1		Washer
28	8409-020	1	/P	Screw, Cap
29	0423-157	4		Nut, Top Lock
30	0505-072	2	/P	Tie Rod Assembly (inc. 31-35)
31	8420-002	2	/P	Nut - Right
32	0405-082	2	S	Ball Joint, Tie Rod - Right
33	0405-083	2	S	Ball Joint, Tie Rod - L eft
34	0423-013	2		Nut - L eft
35	0405-032	2		Tie Rod
36	0420-019	1	S	Bulb, Speedometer
37	0420-014	1		Harness, Speedometer
38	0420-018	1		Bracket, Speedometer
39	0420-016	2		Mount, Rubber



Ref #	Part Number	Qty	S/P/F	Description
1	8476-616	4		Screw, Machine
2	0506-399	1		Strap, Battery w/Pads (inc. 3 and 11)
3	0406-289	1		Pad, Battery - Upper Rear
4	0445-005	1	S	Battery Assembly (inc. 5-7)
5	0645-045	6		Cap, Battery
6	0645-152	1		Clamp, Hose
7	0645-263	1	/P	Hose, Battery Vent
8	0123-788	2	/P	Cable Tie - 7 in.
9	0406-556	1		Pad, Battery - Lower
10	0444-079	1	S/P	Kit, Tool
11	0406-548	1		Pad, Battery - Upper Front
12	0506-241	1	S	Storage Box - Assembly (inc. 13-21)
13	0406-257	1	S	Box, Storage
14	8050-152	6		Washer
15	0406-208	1		Cover, Storage Box
16	0773-401	1		Chain, Cover
17	8061-223	2	/P	Rivet
18	0123-010	4	/P	Nut, Expansion
19	0673-973	1		Seal, Cover
20	0406-205	1	/P	Ring, Mounting - Cover
21	8060-630	6		Rivet
22	0123-549	4	/P	Screw, Machine
23	0423-044	4		Clamp, Tube
24	0645-151	1		Decal, Warning - Battery
25	0406-537	1	S	Box, Battery

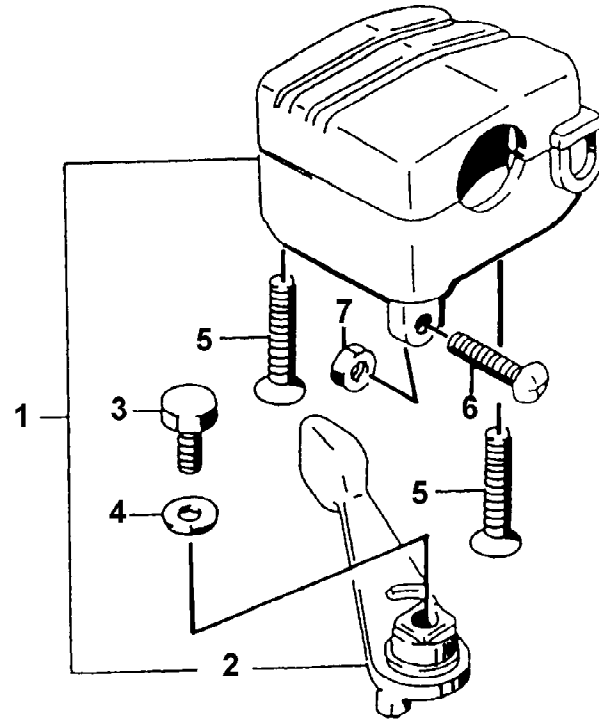
2001 500 CC AUTOMATIC TRANSMISSION (RED) (A2001ATM4BUSR)
TAILLIGHT ASSEMBLY



2001 500 CC AUTOMATIC TRANSMISSION (RED) (A2001ATM4BUSR)
TAILLIGHT ASSEMBLY

Page 80 of 90

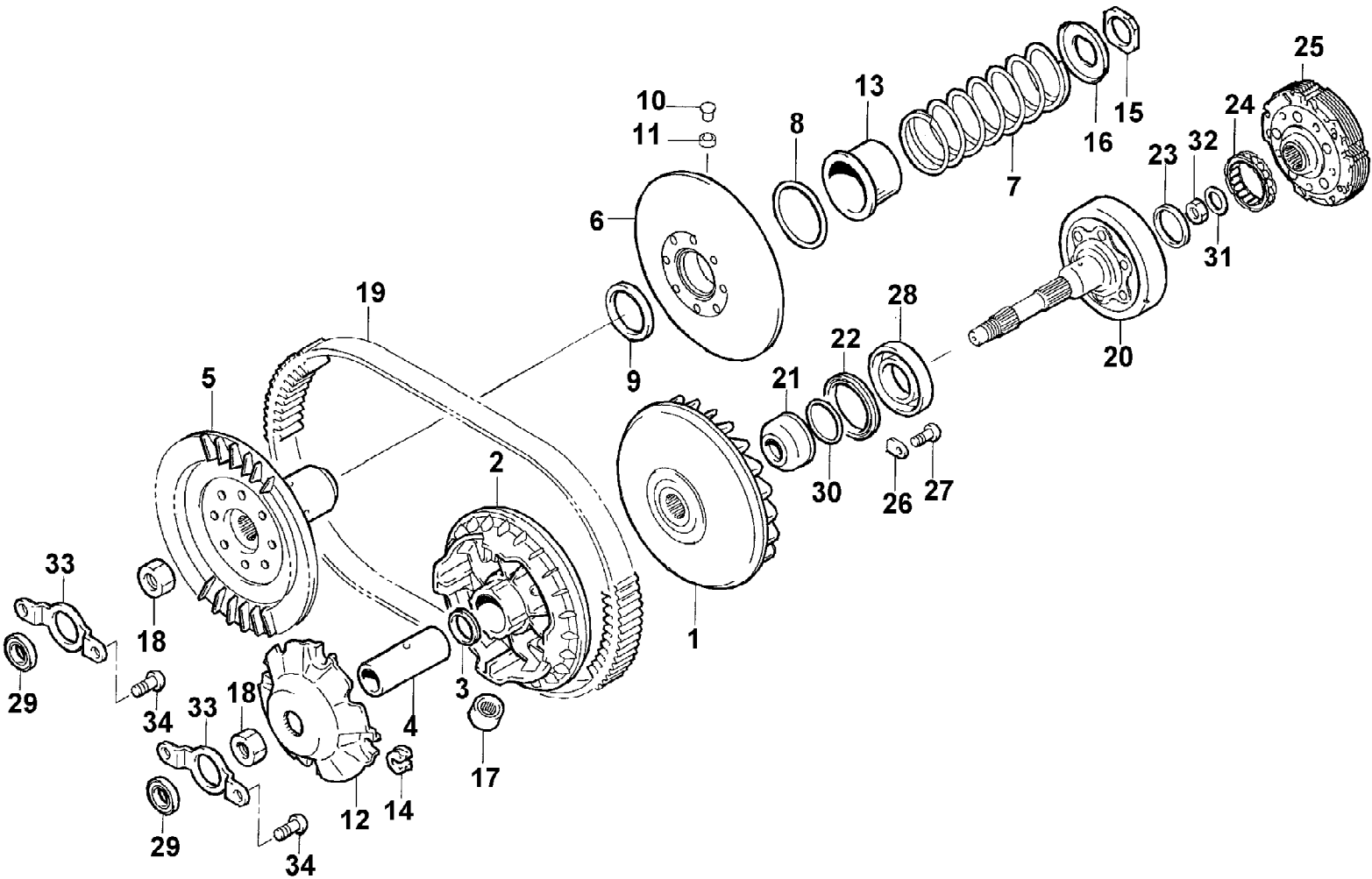
Ref #	Part Number	Qty	S/P/F	Description
	0409-002	1		Complete Taillight Assembly
1	0109-460	1	/P	Bulb, Stop - Taillight
2	0409-011	1		Taillight w/Socket Assembly
3	0409-012	1		Gasket, Taillight Lens
4	0409-007	1		Lens, Taillight
5	0409-010	2		Screw, Machine
6	0623-301	2	/P	Screw, Self-Tapping
7	8053-212	2	/P	Washer, Lock - External Tooth



2001 500 CC AUTOMATIC TRANSMISSION (RED) (A2001ATM4BUSR)
THROTTLE CONTROL ASSEMBLY

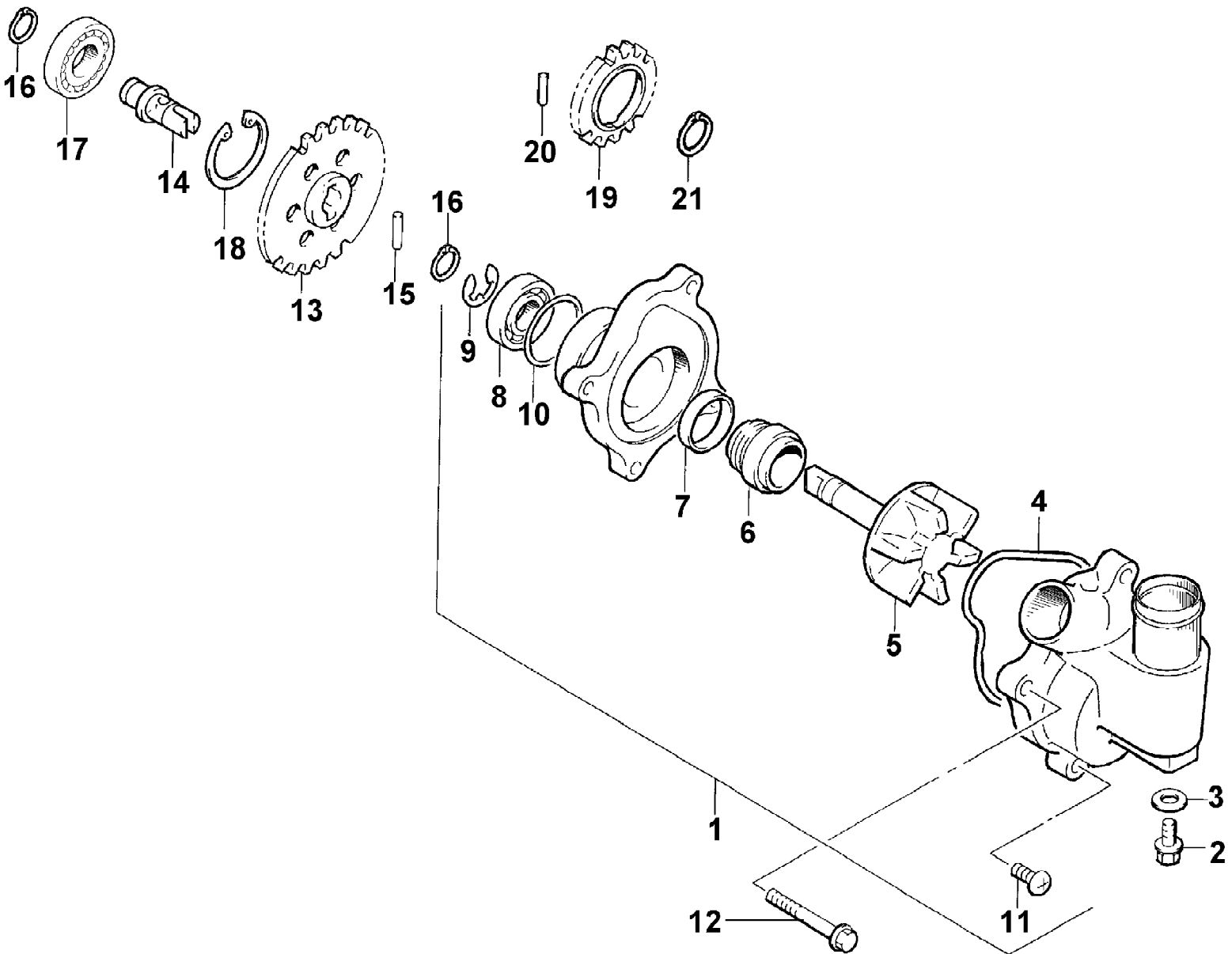
Page 82 of 90

Ref #	Part Number	Qty	S/P/F	Description
1	3509-003	1	/P	Control, Throttle - Assembly (inc. 2-7)
2	3409-001	1		Lever
3	3423-420	1		Bolt
4	0693-490	1		Washer, Lock
5	3423-199	2		Screw
6	3423-014	1		Screw
7	3423-327	1		Nut



Ref #	Part Number	Qty	S/P/F	Description
1	3402-468	1		Face, Fixed Drive
2	3402-469	1		Face, Movable Drive
3	3402-470	2		Seal, Movable Drive
4	3402-471	1		Spacer, Movable Drive
5	3402-472	1		Face, Fixed Driven
6	3402-473	1		Face, Movable Driven
7	3402-474	1	/P	Spring, Movable Driven
8	3402-475	2		O-Ring, Movable Driven
9	3402-476	2		Seal, Movable Driven
10	3402-477	4		Pin, Movable Driven
11	3402-478	4		Spacer, Movable Driven
12	3402-479	1	S	Plate, Movable Drive
13	3402-480	1		Sleeve, Movable Driven
14	3402-481	4		Damper, Movable Drive
15	3423-406	1		Nut, Driven Pulley
16	3402-482	1		Holder, Movable Driven
17	3402-483	8		Roller, Movable Drive
18	3423-407	2		Nut, Face
19	3402-484	1		V-Belt, Drive
20	3402-485	1	S	Housing, Clutch
21	3402-486	1	S	Spacer, Fixed Drive - Left
22	3402-487	1	S	Seal, Clutch Housing
23	3402-488	1		Seal, Clutch Housing
24	3446-003	1		Clutch, One Way
25	3446-263	1		Shoe, Clutch - Assembly
26	3446-031	2	/P	Retainer, Bearing
27	3004-552	2	S	Screw, Bearing Retainer
28	3402-489	1		Bearing
29	3402-490	1		Bearing
30	3423-353	1	/P	O-Ring
31	3423-408	1		Washer
32	3423-409	1		Nut
33	3423-410	1		Retainer, Bearing
34	3423-018	2		Screw

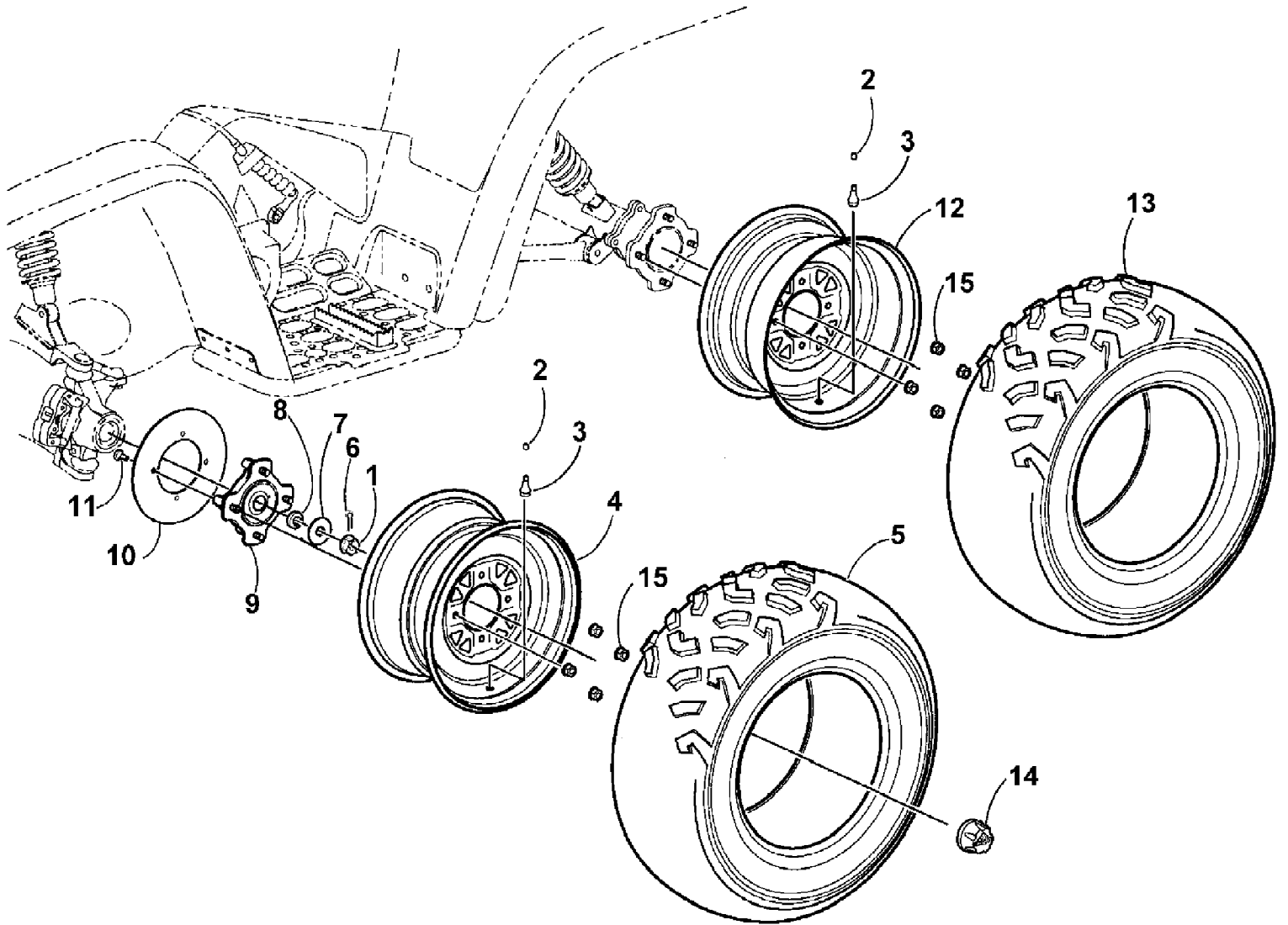
2001 500 CC AUTOMATIC TRANSMISSION (RED) (A2001ATM4BUSR)
WATER PUMP ASSEMBLY



2001 500 CC AUTOMATIC TRANSMISSION (RED) (A2001ATM4BUSR)
WATER PUMP ASSEMBLY

Page 86 of 90

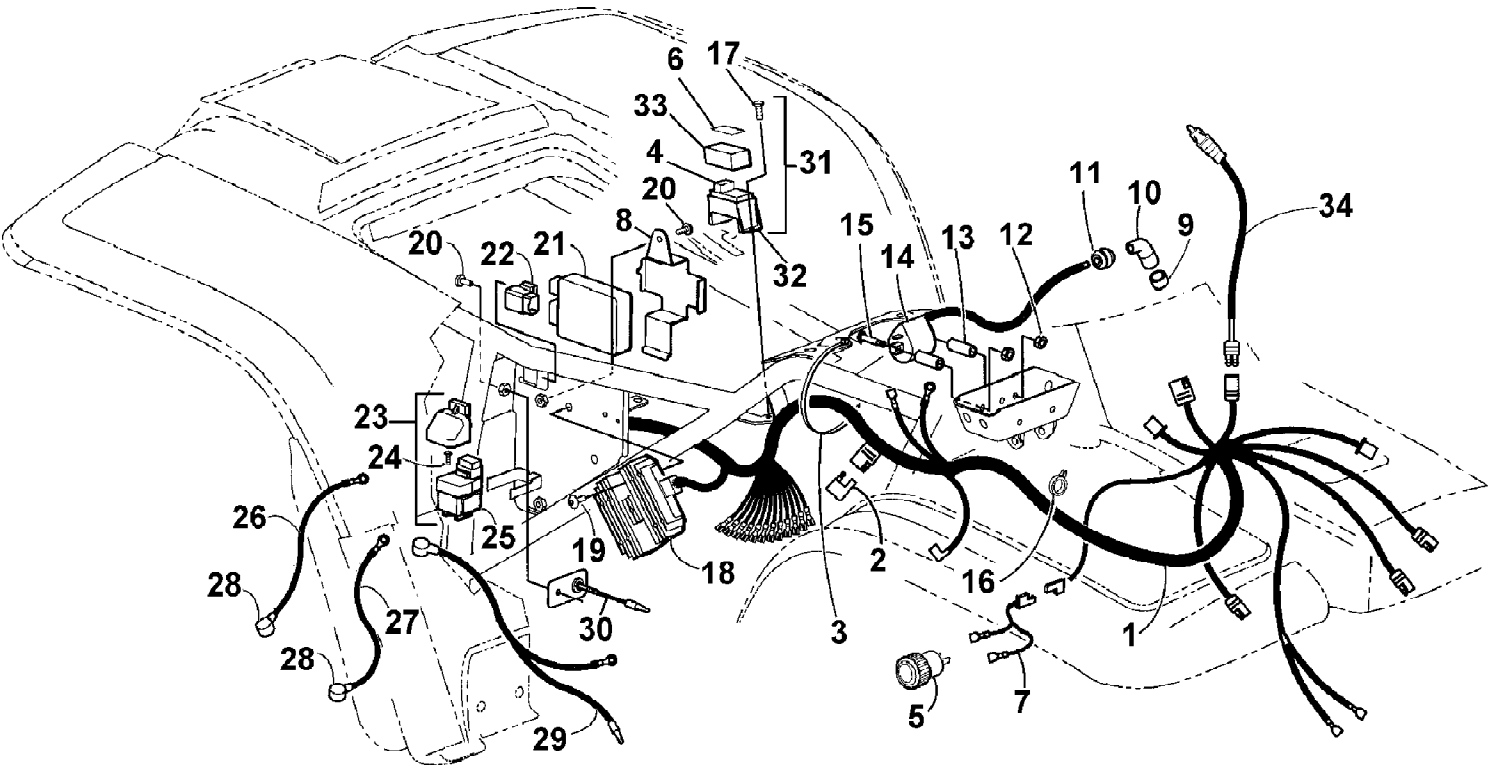
Ref #	Part Number	Qty	S/P/F	Description
1	3402-464	1	/P	Pump, Water - Assembly (inc. 2-11)
2	3423-343	1		Bolt
3	3003-188	1	S/P	Gasket
4	3423-402	1		O-Ring
5	3413-014	1		Impeller/Shaft
6	3402-360	1	S	Seal, Mechanical
7	3402-465	1		Seal, Oil
8	3003-615	1	/P	Bearing
9	3423-403	1	S	E-Ring
10	3423-404	1		O-Ring
11	3003-484	2	S/P	Screw
12	3423-308	2	S	Bolt
13	3402-026	1		Gear, Driven
14	3402-466	1		Shaft, Driven Gear
15	3423-046	1		Pin, Driven Gear
16	3423-184	2	S	Circlip, Driven Gear
17	3402-467	1		Bearing, Shaft
18	3423-405	1		Circlip, Shaft Bearing
19	3402-390	1		Gear, Water Pump Drive
20	3423-110	1		Pin, Drive Gear
21	3423-189	1	S	Circlip, Drive Gear



2001 500 CC AUTOMATIC TRANSMISSION (RED) (A2001ATM4BUSR)
WHEEL AND TIRE ASSEMBLY

Page 88 of 90

Ref #	Part Number	Qty	S/P/F	Description
1	3423-213	2		Nut, Hex
2	0402-140	4		Cap, Valve Stem
3	0402-064	4		Stem, Valve
4	0402-657	2		Wheel - Front
5	0402-319	2	/P	Tire - Front
6	0123-458	2	/P	Pin, Cotter
7	0423-080	2		Washer
8	0402-181	2		Seal, Hub
9	0502-163	2	S	Hub, Wheel - Front
10	0402-482	2	S	Disc, Brake
11	0423-029	8		Screw, Machine
12	0402-753	2		Wheel - Rear
13	0402-319	2	/P	Tire - Rear
14	0403-035	2	/P	Cap, Wheel - Center
15	0423-120	16		Nut, Mounting - Wheel



Ref #	Part Number	Qty	S/P/F	Description
1	0486-075	1		Harness, Main
2	0486-029	1		Diode (Start in Gear)
3	0123-788	AR	/P	Cable Tie - 7 in.
4	0630-057	4		Fuse - 10 Amp
4	0630-058	2		Fuse - 15 Amp
5	0445-022	1	S	Receptacle, 12V
6	0411-271	1		Decal, Fuse Block
7	0486-004	1		Harness, 12V Receptacle
8	0406-535	1		Bracket, CDI Unit
9	3430-008	1	/P	Seal, Spark Plug
10	3430-007	1	/P	Cap, Spark Plug
11	3430-009	1	/P	Seal, High Tension Cord
12	8424-602	2	/P	Nut
13	0107-630	2		Spacer
14	3530-027	1		Coil, Ignition - Assembly
15	8476-640	2		Screw, Cap
16	0423-075	1		Cable Tie - Push Mount
17	0423-068	2		Screw, Machine
18	3530-028	1	S	Regulator, Voltage
19	8476-625	2		Screw, Machine
20	8476-616	2		Screw, Machine
21	3530-032	1	/P	CDI Unit
22	3530-008	1	S	Relay, Neutral Start - Assembly
23	3530-001	1	/P	Relay, Starter Motor - Assembly (inc. 25)
24	3423-020	2	/P	Screw, Cap
25	0630-098	1		Fuse, 30 Amp
26	0445-019	1		Cable, Battery/Electric Start Relay
27	0445-021	1	S	Cable, Battery/Electric Start
28	0645-019	2		Boot, Terminal
29	0445-020	1		Cable, Battery/Ground
30	0586-003	1		Diode Assembly
31	0530-001	1		Block, Fuse - Assembly (inc. 4, 6, and 32-33)
32	0	1	F	Block, Fuse
33	0	1	F	Cover, Fuse Block
34	0409-009	1		Switch, Brake