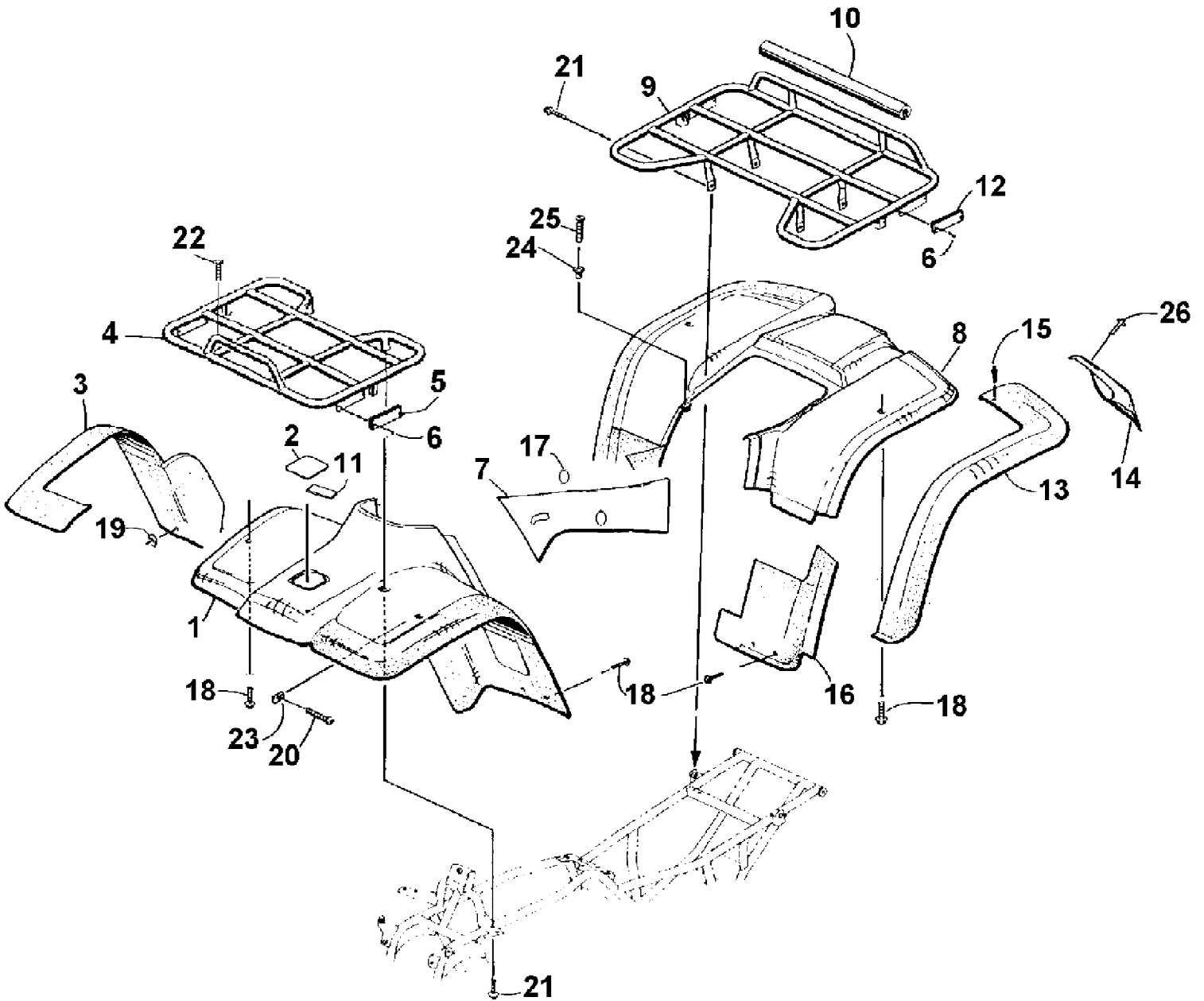


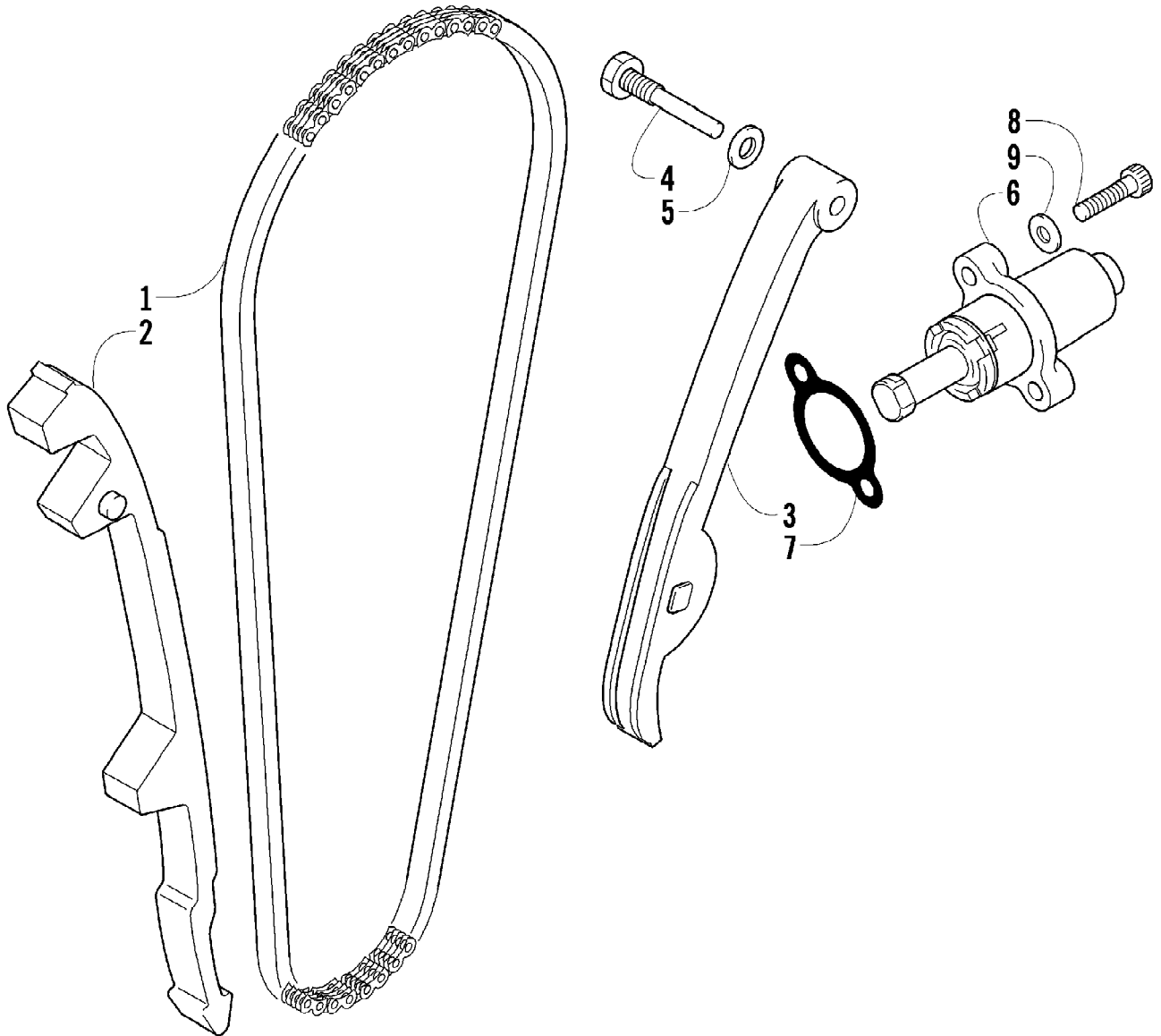
2001 500 CC AUTOMATIC TRANSMISSION (GREEN) (A2001ATM4BUSG)
AIR INTAKE ASSEMBLY

Page 2 of 90

| Ref # | Part Number | Qty | S/P/F | Description |
|-------|-------------|-----|-------|-----------------------------|
| 1 | 0423-019 | 1 | | Clamp |
| 2 | 0470-382 | 1 | | Boot, Air Cleaner |
| 3 | 0423-018 | 2 | | Clamp |
| 4 | 0470-384 | 1 | | Housing, Air Cleaner |
| 5 | 0623-301 | 3 | /P | Screw, Self-Tapping |
| 6 | 0470-343 | 1 | | Gasket, Air Cleaner |
| 7 | 0470-383 | 1 | /P | Snorkel, Air Cleaner |
| 8 | 0470-307 | 4 | | Clamp, Air Cleaner |
| 9 | 0423-037 | 4 | | Spring, Air Cleaner |
| 10 | 0623-121 | 3 | | Screw, Machine |
| 11 | 0123-010 | 3 | /P | Nut, Expansion |
| 12 | 0410-023 | 1 | | Hose, Crankcase Vent |
| 13 | 0470-391 | 1 | /P | Filter, Air Cleaner |
| 14 | 0470-309 | 1 | S | Valve, Air Cleaner |
| 15 | 1673-272 | 1 | /P | Cap, Fitting - Air Cleaner |
| 16 | 0423-047 | 1 | | Clamp, Hose |
| 17 | 0423-045 | 2 | | Clamp, Hose - Spring |
| 18 | 0470-351 | 2 | | Support, Air Cleaner Flange |
| 19 | 0406-540 | 1 | | Plate, Heat - Air Intake |



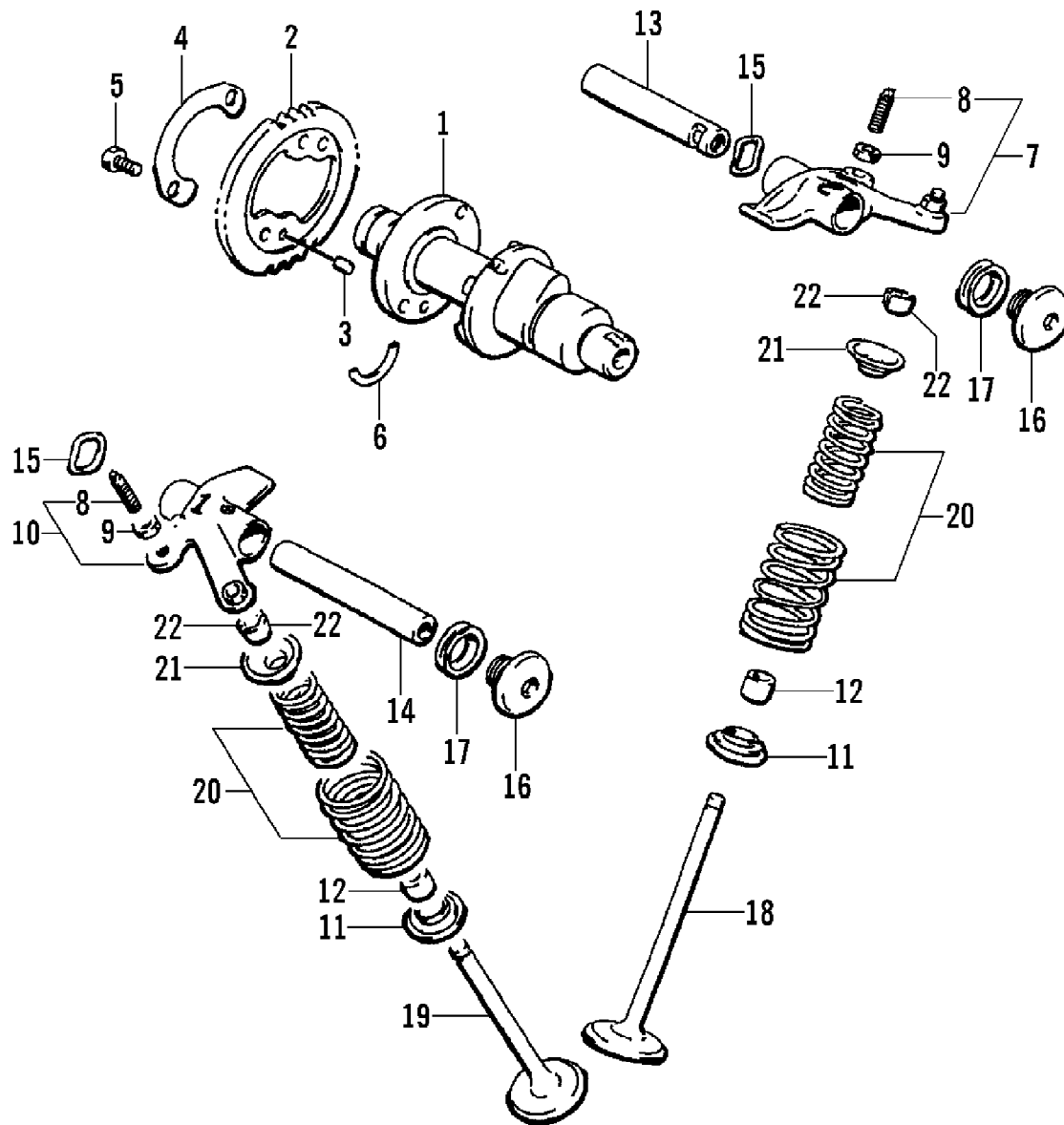
| Ref # | Part Number | Qty | S/P/F | Description |
|-------|-------------|-----|-------|-----------------------------------|
| 1 | 0506-406 | 1 | /P | Panel, Fender - Front (Red) |
| 1 | 0506-405 | 1 | /P | Panel, Fender - Front (Green) |
| 2 | 0506-153 | 1 | S | Cover, Access (Red) |
| 2 | 0506-145 | 1 | S | Cover, Access (Green) |
| 3 | 0506-342 | 1 | | Flare, Front - Right |
| 3 | 0506-343 | 1 | | Flare, Front - Left |
| 4 | 0506-407 | 1 | | Rack - Front |
| 5 | 0606-526 | 2 | | Reflector, Front - Yellow |
| 6 | 0623-269 | 8 | | Clip, Retaining |
| 7 | 0506-370 | 1 | | Panel, Side - Right (Red) |
| 7 | 0506-243 | 1 | | Panel, Side - Left (Red) |
| 7 | 0506-372 | 1 | | Panel, Side - Right (Green) |
| 7 | 0506-165 | 1 | | Panel, Side - Left (Green) |
| 8 | 0506-258 | 1 | /P | Panel, Fender - Rear (Red) |
| 8 | 0506-302 | 1 | /P | Panel, Fender - Rear (Green) |
| 9 | 0506-482 | 1 | S | Rack - Rear |
| 10 | 0406-293 | 1 | | Wrap, Tube - Rear Rack |
| 11 | 0417-002 | 1 | | Foam, Access Panel |
| 12 | 0606-029 | 2 | | Reflector, Rear - Red |
| 13 | 0406-082 | 1 | | Flare, Rear - Right |
| 13 | 0406-083 | 1 | | Flare, Rear - Left |
| 14 | 0406-558 | 1 | | Mud Flap - Right |
| 14 | 0406-559 | 1 | | Mud Flap - Left |
| 15 | 0423-046 | AR | | Rivet, Plastic |
| 16 | 0506-336 | 1 | | Fender Extension - Rear - Right |
| 16 | 0506-337 | 1 | | Fender Extension - Rear - Left |
| 17 | 0470-404 | 1 | | Grommet, Fuel Shut-Off Valve Knob |
| 18 | 0423-101 | AR | | Screw, Body |
| 19 | 8424-602 | 1 | /P | Nut, Flange |
| 20 | 8477-616 | 2 | | Screw, Machine |
| 21 | 8409-020 | 6 | /P | Screw, Cap |
| 22 | 8477-612 | 2 | | Screw, Machine |
| 23 | 0423-031 | 2 | | Nut, Speed |
| 24 | 0123-010 | 2 | /P | Nut, Expansion |
| 25 | 0423-068 | 2 | | Screw, Machine |
| 26 | 0423-168 | 8 | | Rivet |



2001 500 CC AUTOMATIC TRANSMISSION (GREEN) (A2001ATM4BUSG)
CAM CHAIN ASSEMBLY

Page 6 of 90

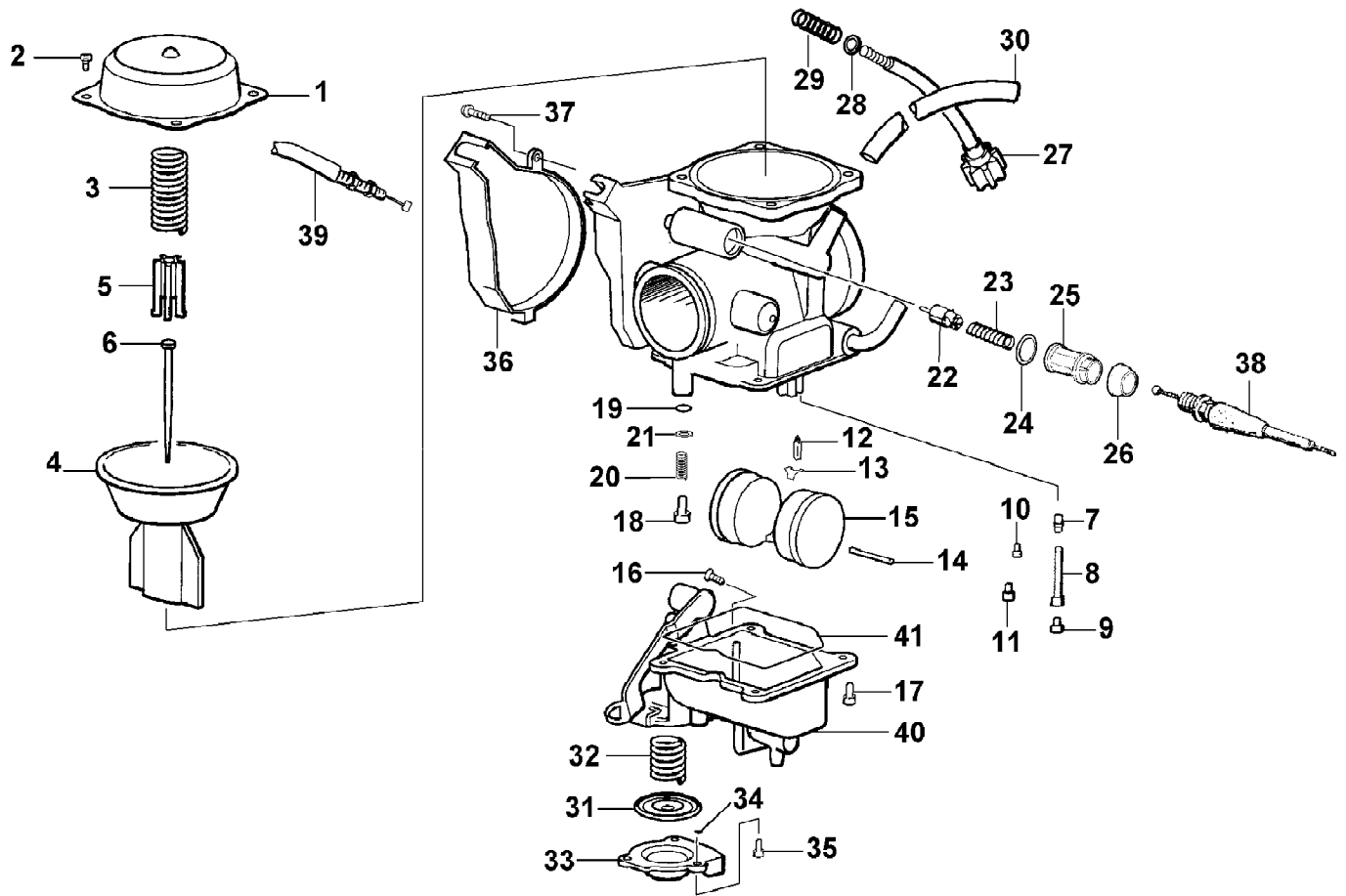
| Ref # | Part Number | Qty | S/P/F | Description |
|-------|-------------|-----|-------|--------------------------------|
| 1 | 3402-353 | 1 | | Chain, Cam |
| 2 | 3402-355 | 1 | | Guide, Chain |
| 3 | 3402-356 | 1 | | Tensioner, Chain |
| 4 | 3423-074 | 1 | | Bolt |
| 5 | 3003-188 | 1 | S/P | Washer |
| 6 | 3402-136 | 1 | | Adjuster, Tensioner - Assembly |
| 7 | 3402-137 | 1 | | Gasket |
| 8 | 3004-475 | 2 | S | Bolt |
| 9 | 3003-290 | 2 | /P | Gasket |



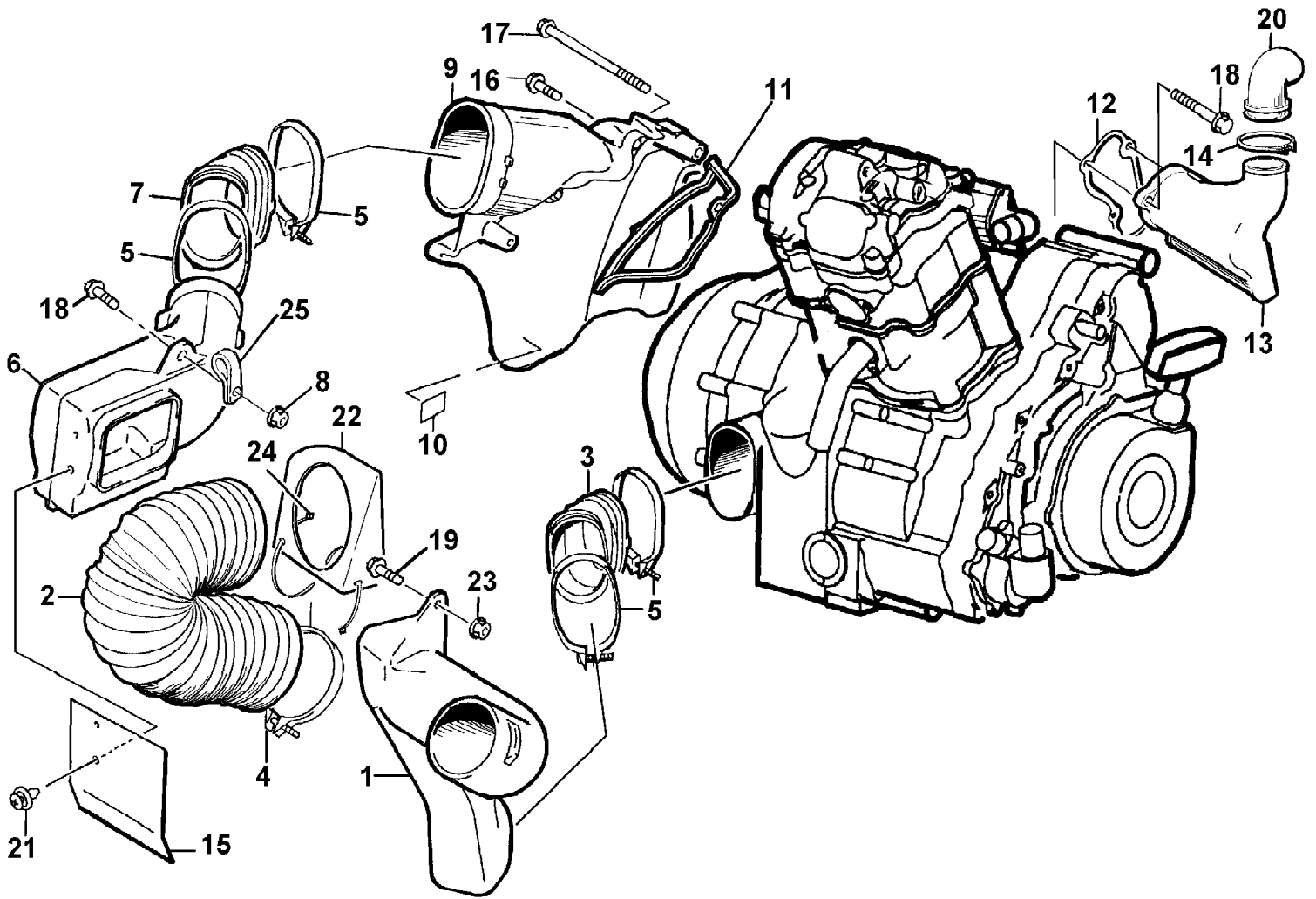
2001 500 CC AUTOMATIC TRANSMISSION (GREEN) (A2001ATM4BUSG)
CAMSHAFT/VALVE ASSEMBLY

Page 8 of 90

| Ref # | Part Number | Qty | S/P/F | Description |
|-------|-------------|-----|-------|------------------------------|
| 1 | 3402-027 | 1 | S | Camshaft |
| 2 | 3402-352 | 1 | | Sprocket |
| 3 | 3423-047 | 1 | | Pin |
| 4 | 3423-073 | 1 | | Washer |
| 5 | 3423-013 | 2 | S | Bolt |
| 6 | 3423-071 | 1 | /P | C-Ring |
| 7 | 3402-138 | 1 | S | Arm, Valve Rocker (inc. 8-9) |
| 8 | 3423-075 | 4 | | Screw |
| 9 | 3423-076 | 4 | | Nut |
| 10 | 3402-139 | 1 | | Arm, Valve Rocker (inc. 8-9) |
| 11 | 3402-148 | 4 | | Seat, Spring |
| 12 | 3402-078 | 4 | | Seal, Oil |
| 13 | 3402-140 | 1 | | Shaft, Rocker Arm |
| 14 | 3402-141 | 1 | | Shaft, Rocker Arm |
| 15 | 3423-031 | 2 | | Washer |
| 16 | 3402-040 | 2 | /P | Plug, Shaft |
| 17 | 3402-012 | 2 | | Gasket |
| 18 | 3402-142 | 2 | S | Valve, Intake |
| 19 | 3402-143 | 2 | | Valve, Exhaust |
| 20 | 3402-144 | 4 | | Spring, Valve - Set |
| 21 | 3402-146 | 4 | S | Retainer, Spring |
| 22 | 3402-147 | 8 | | Cotter, Valve |

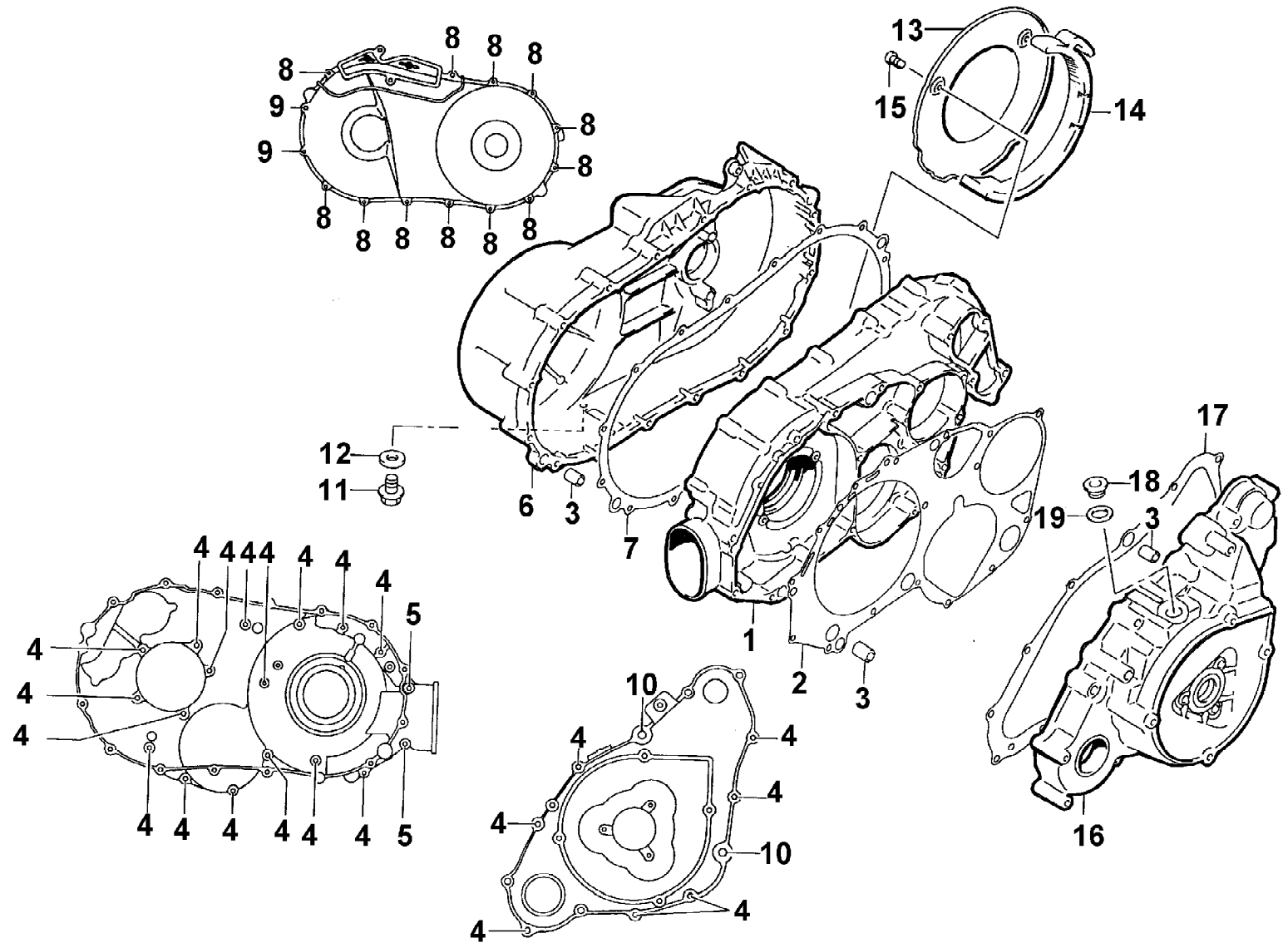


| Ref # | Part Number | Qty | S/P/F | Description |
|-------|-------------|-----|-------|--|
| | 0470-433 | 1 | S | Complete Assembly |
| 1 | 5507-001 | 1 | | Cover, Top |
| 2 | 5507-002 | 4 | /P | Screw, Top Cover |
| 3 | 5507-066 | 1 | /P | Spring |
| 4 | 5507-004 | 1 | /P | Piston, Vacuum |
| 5 | 5507-005 | 1 | | Spring, Seat |
| 6 | 5507-006 | 1 | | Jet Needle |
| 7 | 5507-007 | 1 | | Needle Jet |
| 8 | 5507-047 | 1 | /P | Holder, Needle Jet |
| 9 | 5507-042 | 1 | /P | Main Jet 145 |
| 9 | 5507-009 | 1 | /P/F | Main Jet 150 |
| 9 | 5507-041 | 1 | F | Main Jet 148 |
| 9 | 5507-043 | 1 | F | Main Jet 142 |
| 9 | 5507-044 | 1 | F | Main Jet 140 |
| 10 | 5507-010 | 1 | S | Slow Jet |
| 11 | 5507-011 | 1 | | Starter Jet - 102 |
| 12 | 5507-038 | 1 | | Valve, Float - Set (inc. 13) |
| 13 | 0 | 1 | F | Clip |
| 14 | 0 | 1 | F | Pin, Float |
| 15 | 5507-039 | 1 | | Float Set (inc. 14) |
| 16 | 5507-050 | 1 | /P | Screw, Drain |
| 17 | 5507-017 | 4 | /P | Screw |
| 18 | 5507-040 | 1 | | Screw, Pilot Air - Set (inc. 19-21) |
| 19 | 0 | 1 | F | O-Ring |
| 20 | 0 | 1 | F | Spring |
| 21 | 0 | 1 | F | Washer |
| 22 | 5507-022 | 1 | | Valve, Starter |
| 23 | 5507-023 | 1 | | Spring |
| 24 | 5507-024 | 1 | | O-Ring |
| 25 | 5507-025 | 1 | | Cap |
| 26 | 5507-026 | 1 | | Cap, Rubber |
| 27 | 5507-027 | 1 | | Screw, Stop |
| 28 | 5507-028 | 1 | | Washer |
| 29 | 5507-029 | 1 | | Spring |
| 30 | 5507-030 | 1 | /P | Tube, Vinyl |
| 31 | 5507-031 | 1 | S | Diaphragm Assembly |
| 32 | 5507-032 | 1 | | Spring |
| 33 | 0 | 1 | F | Housing, Pump |
| 34 | 5507-034 | 1 | | U-Ring |
| 35 | 5507-035 | 3 | | Screw |
| 36 | 5507-036 | 1 | | Cover |
| 37 | 5507-037 | 1 | /P | Screw |
| 38 | 0487-016 | 1 | | Cable, Choke |
| 39 | 0487-021 | 1 | S | Cable, Throttle |
| 40 | 0 | 1 | F | Chamber, Float - Assembly (inc. 16, 31-35, and 41) |
| 41 | 5507-067 | 1 | /P | O-Ring, Float Chamber |



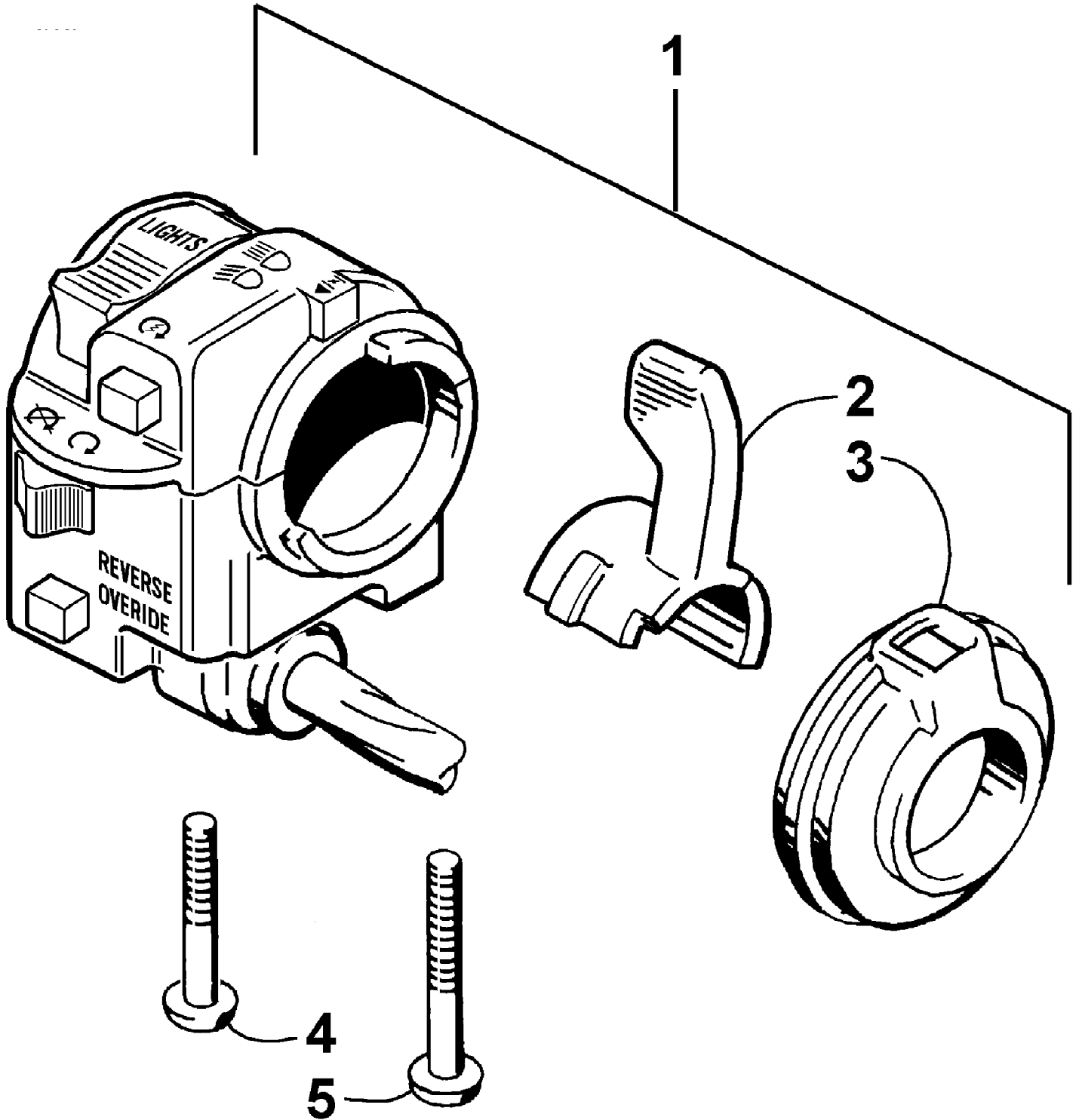
2001 500 CC AUTOMATIC TRANSMISSION (GREEN) (A2001ATM4BUSG) Page 12 of 90
CASE/BELT COOLING ASSEMBLY

| Ref # | Part Number | Qty | S/P/F | Description |
|-------|-------------|-----|-------|----------------------------------|
| 1 | 3402-447 | 1 | | Duct, Belt Cooling - Front |
| 2 | 0410-033 | 1 | | Duct, Belt Cooling - Front |
| 3 | 3402-448 | 1 | | Tube, Clutch Cooling |
| 4 | 0423-018 | 1 | | Clamp |
| 5 | 3402-449 | 4 | /P | Clamp, Duct - Front |
| 6 | 3402-450 | 1 | | Duct, Belt Cooling - Center |
| 7 | 3402-451 | 1 | | Connector, Cooling Duct - Center |
| 8 | 3402-448 | 2 | | Clamp, Duct - Center |
| 9 | 3402-452 | 1 | | Connector, Duct - Center |
| 10 | 3402-453 | 2 | | Cushion, Duct Connector - Center |
| 11 | 3402-454 | 1 | | Gasket, Duct Connector - Center |
| 12 | 0410-034 | 1 | | Gasket, Duct Connector - Rear |
| 13 | 0510-591 | 1 | | Plenum, Clutch |
| 14 | 3402-455 | 1 | | Clamp |
| 15 | 0506-402 | 1 | | Guard, Duct |
| 16 | 3004-341 | 2 | S/P | Bolt, Duct Connector - Center |
| 17 | 3423-393 | 2 | S | Bolt, Duct Connector - Center |
| 18 | 8476-625 | 5 | | Screw, Machine |
| 19 | 8408-820 | 1 | /P | Screw, Cap |
| 20 | 0410-032 | 1 | | Boot, Clutch Plenum |
| 21 | 3423-423 | 2 | | Clip, Retaining - Duct Guard |
| 22 | 0406-560 | 1 | | Retainer, Cooling Hose |
| 23 | 8424-802 | 1 | | Nut, Flange |
| 24 | 0123-788 | AR | /P | Cable Tie - 7 in. |
| 25 | 0423-167 | 1 | | Clamp, Brakeline |
| 26 | 8424-602 | 1 | /P | Nut |



2001 500 CC AUTOMATIC TRANSMISSION (GREEN) (A2001ATM4BUSG) Page 14 of 90
 CLUTCH/MAGNETO COVER ASSEMBLY

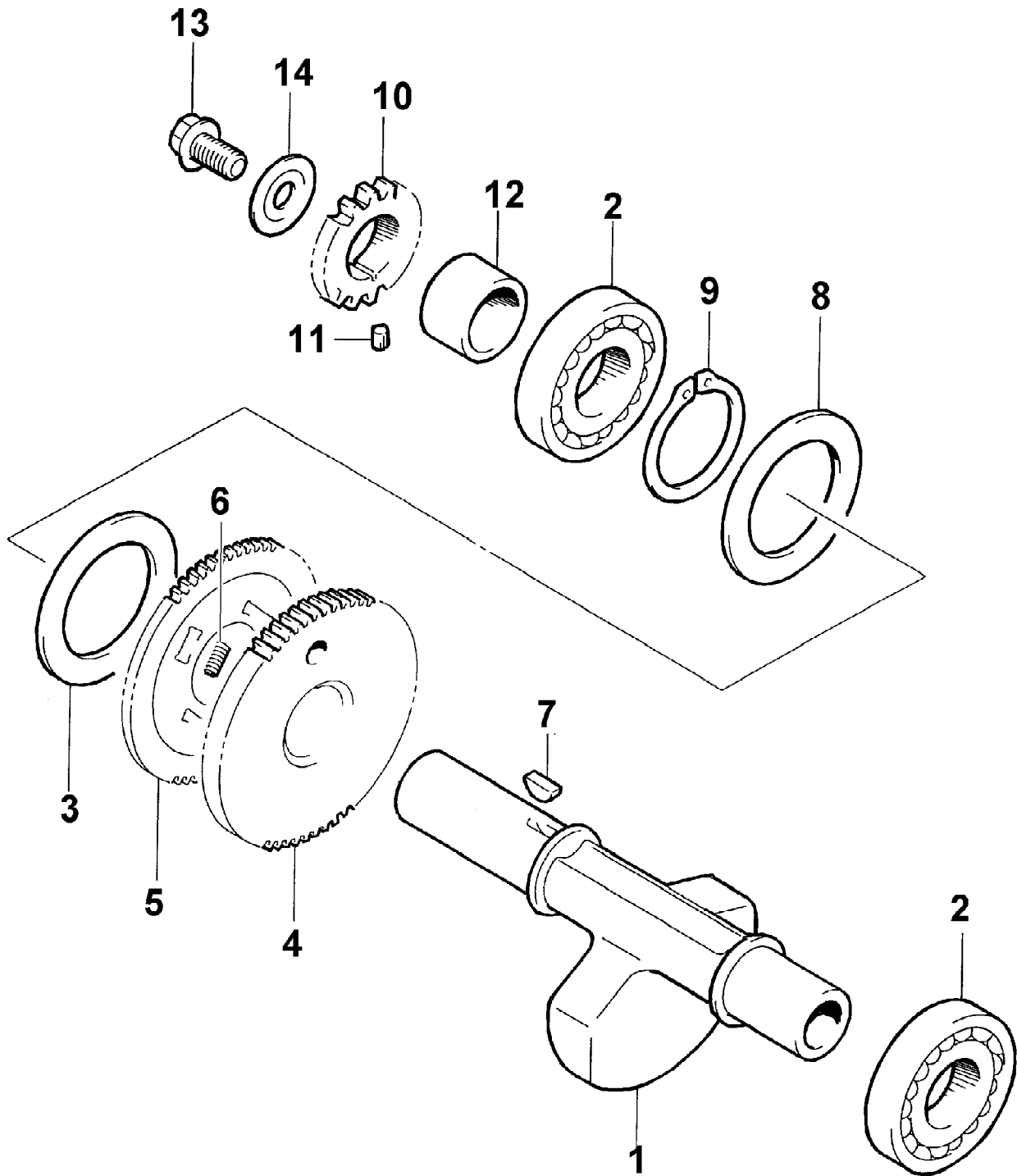
| Ref # | Part Number | Qty | S/P/F | Description |
|-------|-------------|-----|-------|---------------------------|
| 1 | 3402-440 | 1 | | Cover, Clutch |
| 2 | 3402-441 | 1 | | Gasket, Clutch Cover |
| 3 | 3423-088 | 6 | | Pin, Dowel |
| 4 | 3423-098 | 23 | S | Bolt |
| 5 | 3423-092 | 2 | S | Bolt |
| 6 | 3402-442 | 1 | | Cover, V-Belt |
| 7 | 3402-443 | 1 | | Gasket, V-Belt Cover |
| 8 | 3423-091 | 12 | S | Bolt |
| 9 | 3423-392 | 2 | | Bolt |
| 10 | 3423-307 | 2 | S | Bolt |
| 11 | 3004-705 | 1 | S | Plug, Drain |
| 12 | 3402-444 | 1 | | Gasket, Drain Plug |
| 13 | 3402-445 | 1 | | Plate, Air Intake |
| 14 | 3402-446 | 1 | S | Cushion, Air Intake Plate |
| 15 | 3004-552 | 3 | S | Screw |
| 16 | 3423-394 | 1 | | Cover, Magneto |
| 17 | 3423-395 | 1 | | Gasket, Magneto Cover |
| 18 | 3423-180 | 1 | S | Plug, Oil Filler |
| 19 | 3402-013 | 1 | /P | Gasket, Oil Filler Plug |



2001 500 CC AUTOMATIC TRANSMISSION (GREEN) (A2001ATM4BUSG) Page 16 of 90
CONTROL SWITCH HOUSING ASSEMBLY

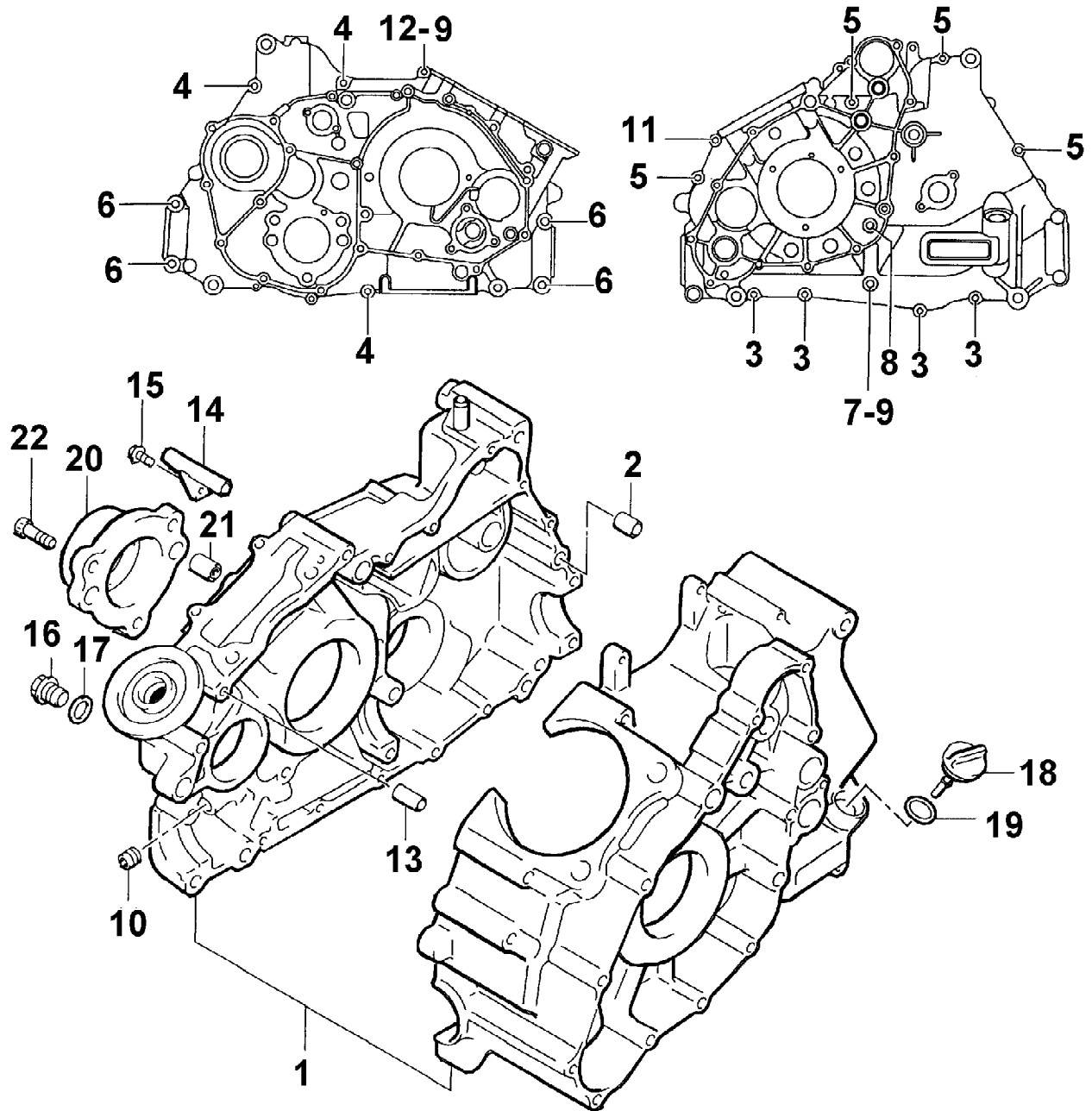
| Ref # | Part Number | Qty | S/P/F | Description |
|-------|-------------|-----|-------|---------------------------------------|
| 1 | 0409-022 | 1 | | Switch, Control - Assembly (inc. 2-5) |
| 2 | 0409-025 | 1 | | Lever, Choke |
| 3 | 0409-026 | 1 | | Cover, Choke L ever |
| 4 | 0409-027 | 1 | | Screw, Cap |
| 5 | 0409-028 | 1 | | Screw |

| Ref # | Part Number | Qty | S/P/F | Description |
|-------|-------------|-----|-------|---|
| 1 | 0413-007 | 1 | | Screen, Radiator |
| 2 | 0423-174 | 2 | | Clamp, Hose - Radiator |
| 3 | 8476-620 | 2 | | Screw, Cap |
| 4 | 0423-030 | 2 | | Grommet |
| 5 | 0423-036 | 2 | | Collar |
| 6 | 0610-016 | AR | /P | Hose, Vent - 25 ft |
| 7 | 0413-002 | 1 | S | Cap, Radiator |
| 8 | 0413-014 | 1 | | Radiator Assembly (inc. 1, 4, 7, 9, and 19) |
| 9 | 0 | 1 | F | Radiator |
| 10 | 0423-070 | 6 | | Clamp, Hose |
| 11 | 0410-002 | 1 | | Hose, Coolant - Upper |
| 12 | 0413-006 | 1 | | Blade, Fan |
| 13 | 0413-004 | 1 | | Motor, Fan |
| 14 | 8474-516 | 3 | | Screw, Machine |
| 15 | 0410-021 | 1 | | Hose, Coolant - Lower |
| 16 | 0410-022 | 1 | | Hose, Coolant - Crossover |
| 17 | 0623-184 | 2 | | Washer |
| 18 | 0406-543 | 2 | | Shroud, Fan |
| 19 | 0413-009 | 4 | | Screw, Thumb |
| 20 | 0423-031 | 4 | | Nut, Speed |
| 21 | 0423-056 | 1 | | Nut - Left |
| 22 | 8050-252 | 1 | | Washer |
| 23 | 0423-028 | 2 | | Bushing, Stem |
| 24 | 8477-616 | 4 | | Screw, Machine |
| 25 | 0123-788 | AR | /P | Cable Tie - 7 in. |
| 26 | 0623-751 | 1 | | Cable Tie - Re-Useable |
| 27 | 8424-602 | 2 | /P | Nut, Flange |

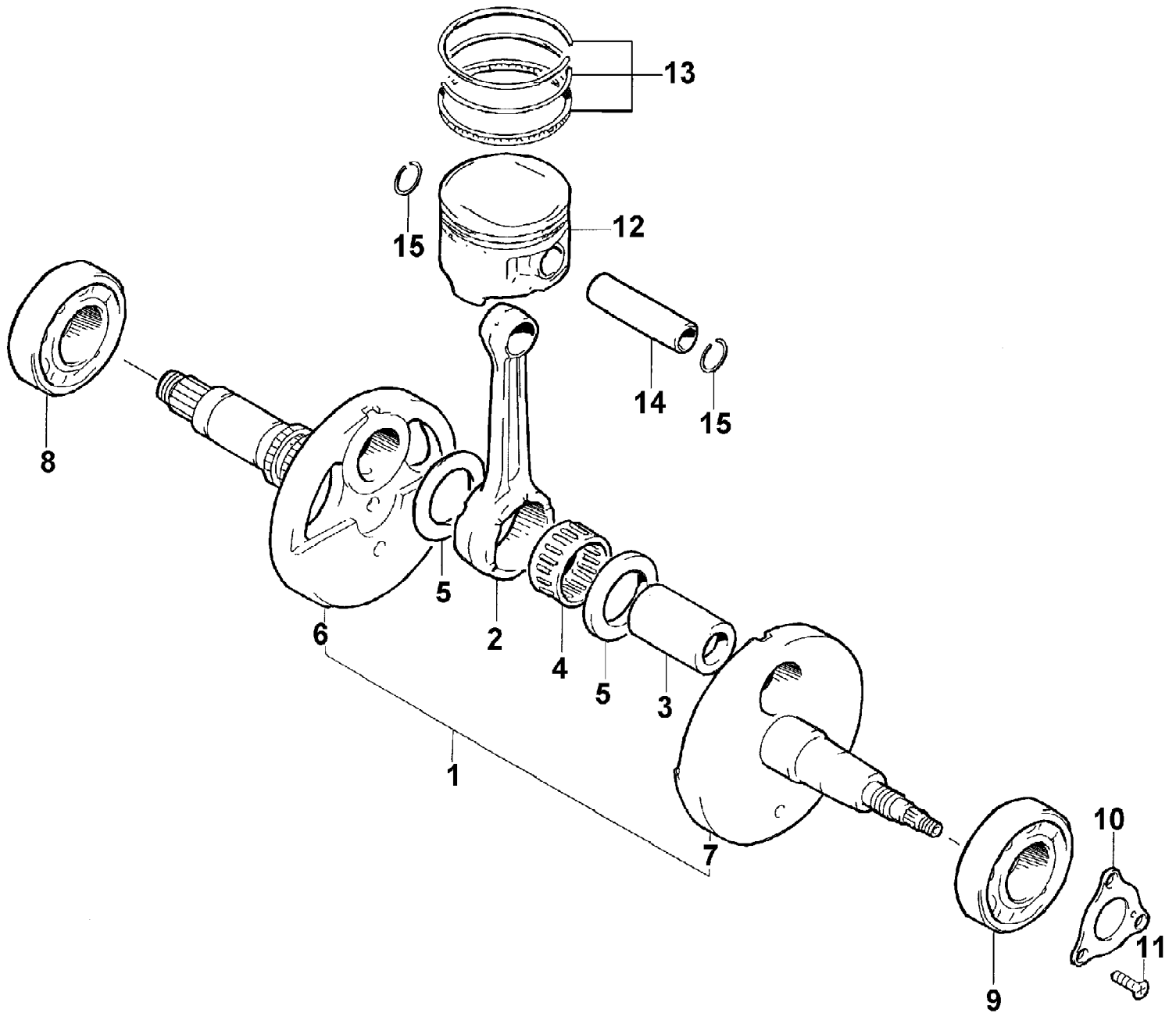


2001 500 CC AUTOMATIC TRANSMISSION (GREEN) (A2001ATM4BUSG) Page 20 of 90
CRANK BALANCER ASSEMBLY

| Ref # | Part Number | Qty | S/P/F | Description |
|-------|-------------|-----|-------|----------------------|
| 1 | 3402-458 | 1 | | Balancer, Crank |
| 2 | 3402-050 | 2 | | Bearing |
| 3 | 3423-398 | 1 | | Washer |
| 4 | 3402-459 | 1 | | Gear, Driven - No. 1 |
| 5 | 3402-460 | 1 | | Gear, Driven - No. 2 |
| 6 | 3423-399 | 2 | | Spring, Driven Gear |
| 7 | 3004-540 | 1 | /P | Key |
| 8 | 3423-107 | 1 | | Washer |
| 9 | 3423-200 | 1 | /P | Circlip |
| 10 | 3402-390 | 1 | | Gear, Oil Pump Drive |
| 11 | 3423-110 | 1 | | Pin, Drive Gear |
| 12 | 3402-461 | 1 | | Spacer, Drive Gear |
| 13 | 3423-400 | 1 | | Bolt, Drive Gear |
| 14 | 3423-401 | 1 | | Washer, Drive Gear |

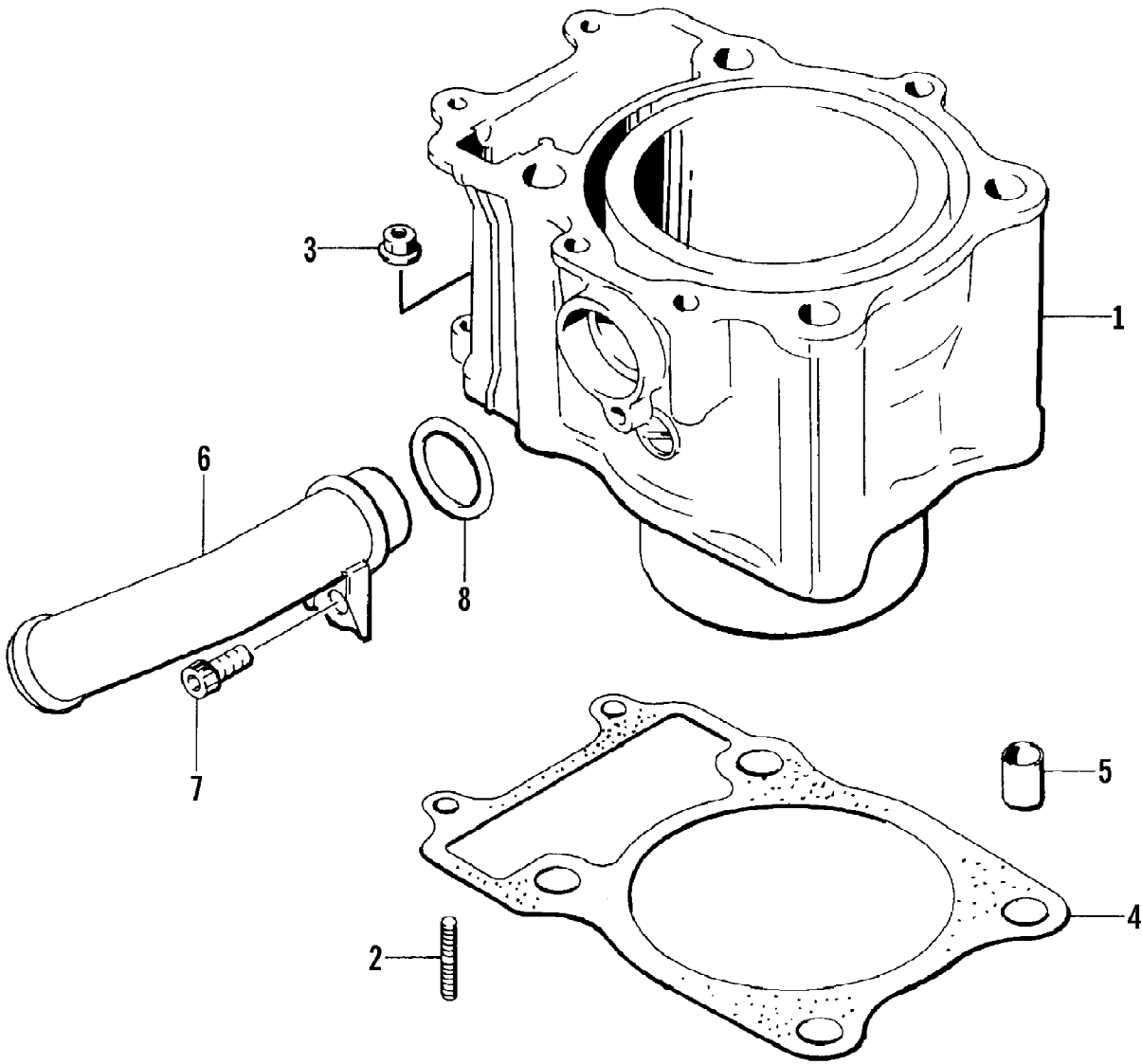


| Ref # | Part Number | Qty | S/P/F | Description |
|-------|-------------|-----|-------|---------------------------------------|
| 1 | 3402-520 | 1 | S | Crankcase Assembly (inc. 2-12 and 24) |
| 2 | 3423-088 | 2 | | Pin, Dowel |
| 3 | 3423-091 | 4 | S | Bolt |
| 4 | 3423-119 | 3 | S | Bolt |
| 5 | 3423-092 | 4 | S | Bolt |
| 6 | 3004-880 | 4 | | Bolt |
| 7 | 3005-332 | 1 | | Bolt |
| 8 | 3423-385 | 1 | | Bolt |
| 9 | 3402-436 | 2 | /P | Gasket |
| 10 | 3423-386 | 1 | | Plug |
| 11 | 3423-387 | 1 | | Bolt |
| 12 | 3423-388 | 1 | | Bolt |
| 13 | 3004-822 | 1 | | Pin, Dowel |
| 14 | 3402-437 | 1 | | Pipe, Breather |
| 15 | 3423-389 | 1 | | Bolt, Breather Pipe |
| 16 | 3402-214 | 1 | | Plug, Oil Pressure |
| 17 | 3402-012 | 1 | | Gasket, Oil Pressure Plug |
| 18 | 3402-438 | 1 | | Stick, Oil Level |
| 19 | 3423-055 | 1 | | O-Ring, Oil Level Stick |
| 20 | 3402-439 | 1 | | Housing, Secondary Shaft Bearing |
| 21 | 3423-088 | 2 | | Pin, Dowel |
| 22 | 3423-506 | 3 | /P | Bolt |



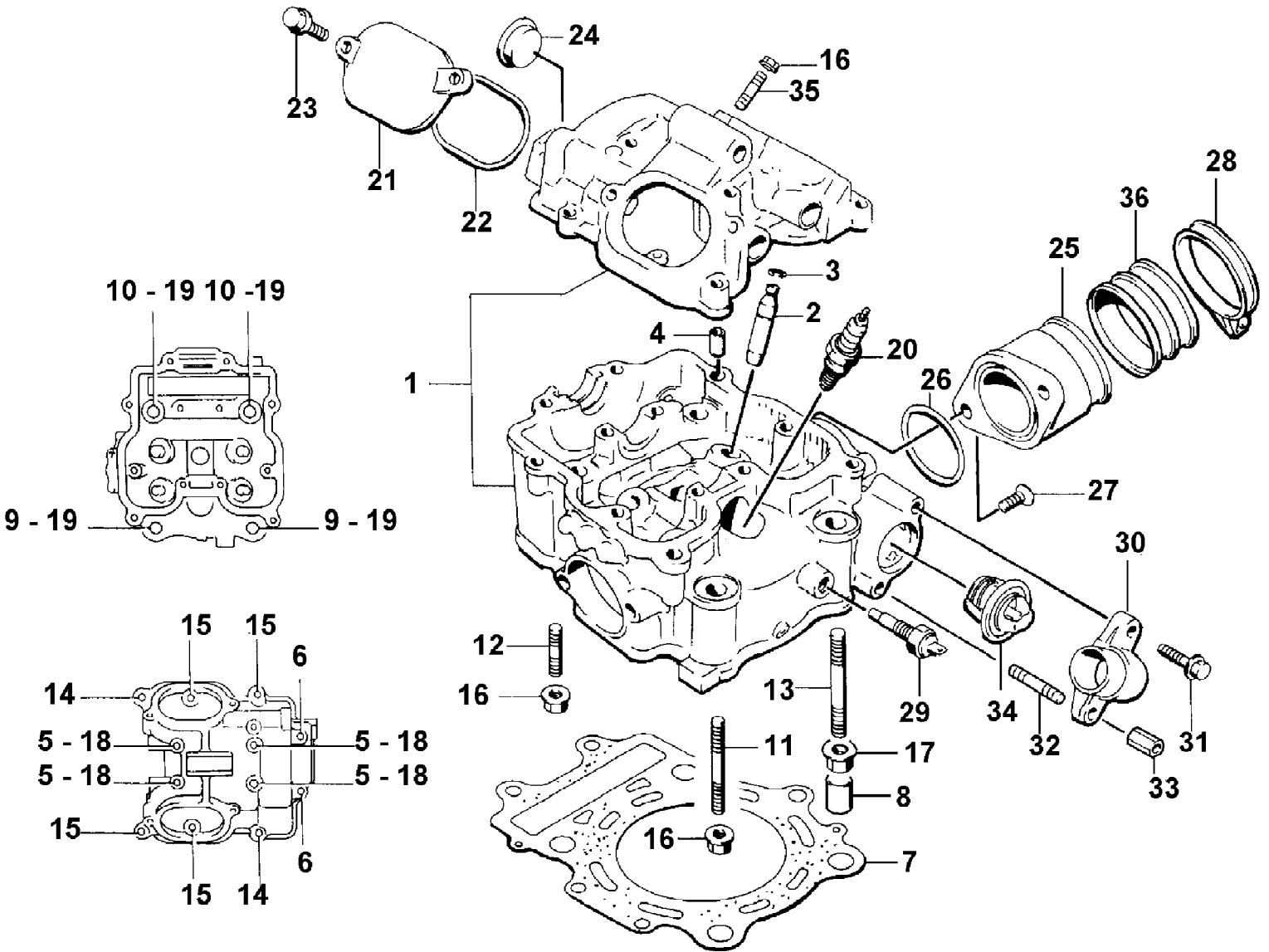
2001 500 CC AUTOMATIC TRANSMISSION (GREEN) (A2001ATM4BUSG) Page 24 of 90
CRANKSHAFT ASSEMBLY

| Ref # | Part Number | Qty | S/P/F | Description |
|-------|-------------|-----|-------|--------------------------------|
| 1 | 3402-521 | 1 | S | Crankshaft Assembly (inc. 2-7) |
| 2 | 3402-376 | 1 | | Rod, Connecting |
| 3 | 3402-377 | 1 | | Pin, Crank |
| 4 | 3402-386 | 1 | S | Bearing |
| 5 | 3423-351 | 2 | | Washer |
| 6 | 3402-522 | 1 | | Crankshaft - Right |
| 7 | 3402-456 | 1 | S | Crankshaft - Left |
| 8 | 3402-058 | 1 | | Bearing - Right |
| 9 | 3402-054 | 1 | | Bearing - Left |
| 10 | 3402-188 | 1 | /P | Retainer, Oil Seal - Left |
| 11 | 3423-018 | 3 | | Screw |
| 12 | 3402-373 | 1 | | Piston |
| 13 | 3402-374 | 1 | | Ring, Piston - Set |
| 14 | 3402-375 | 1 | | Pin, Piston |
| 15 | 3423-344 | 2 | | Circlip, Piston Pin |
| 16 | 3402-431 | 1 | F | Piston Assembly (inc. 13-15) |

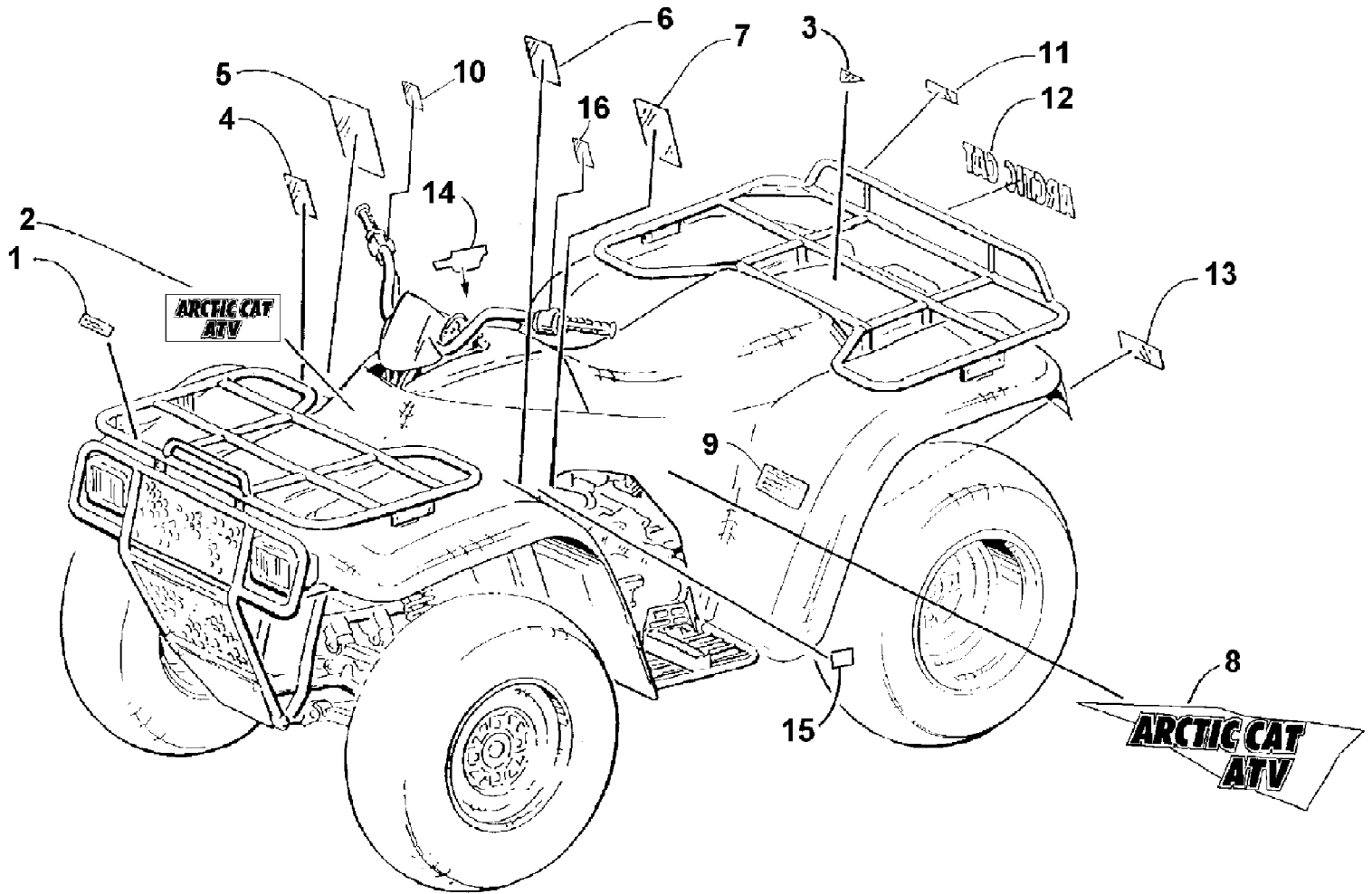


2001 500 CC AUTOMATIC TRANSMISSION (GREEN) (A2001ATM4BUSG) Page 26 of 90
CYLINDER ASSEMBLY

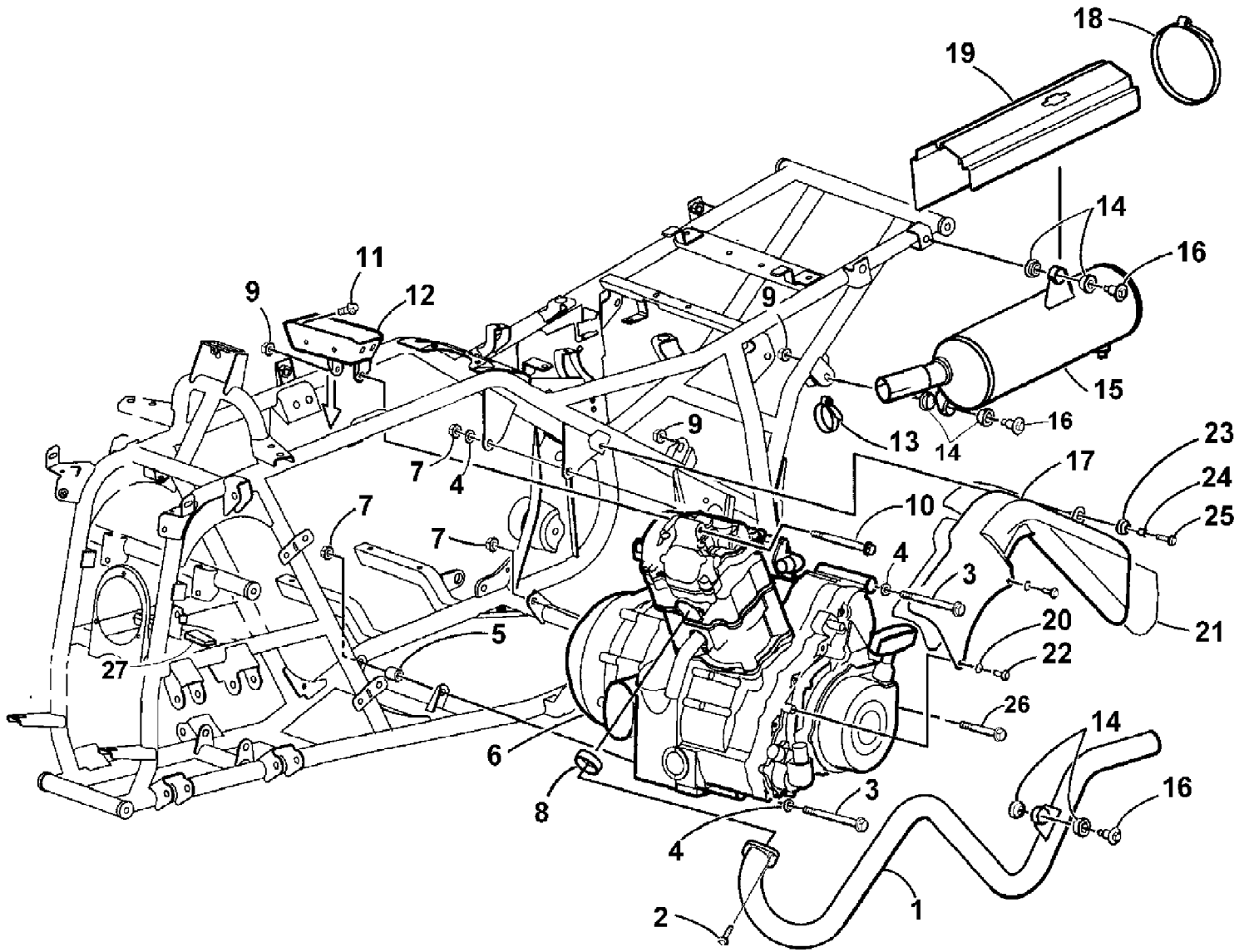
| Ref # | Part Number | Qty | S/P/F | Description |
|-------|-------------|-----|-------|-------------------|
| 1 | 3402-364 | 1 | | Cylinder |
| 2 | 3423-384 | 2 | S | Bolt, Stud |
| 3 | 3004-488 | 2 | S/P | Nut |
| 4 | 3402-365 | 1 | /P | Gasket, Cylinder |
| 5 | 3423-088 | 2 | | Pin, Dowel |
| 6 | 3413-013 | 1 | | Union, Water Hose |
| 7 | 3423-121 | 1 | S | Screw, Cap |
| 8 | 3423-058 | 1 | | O-Ring |



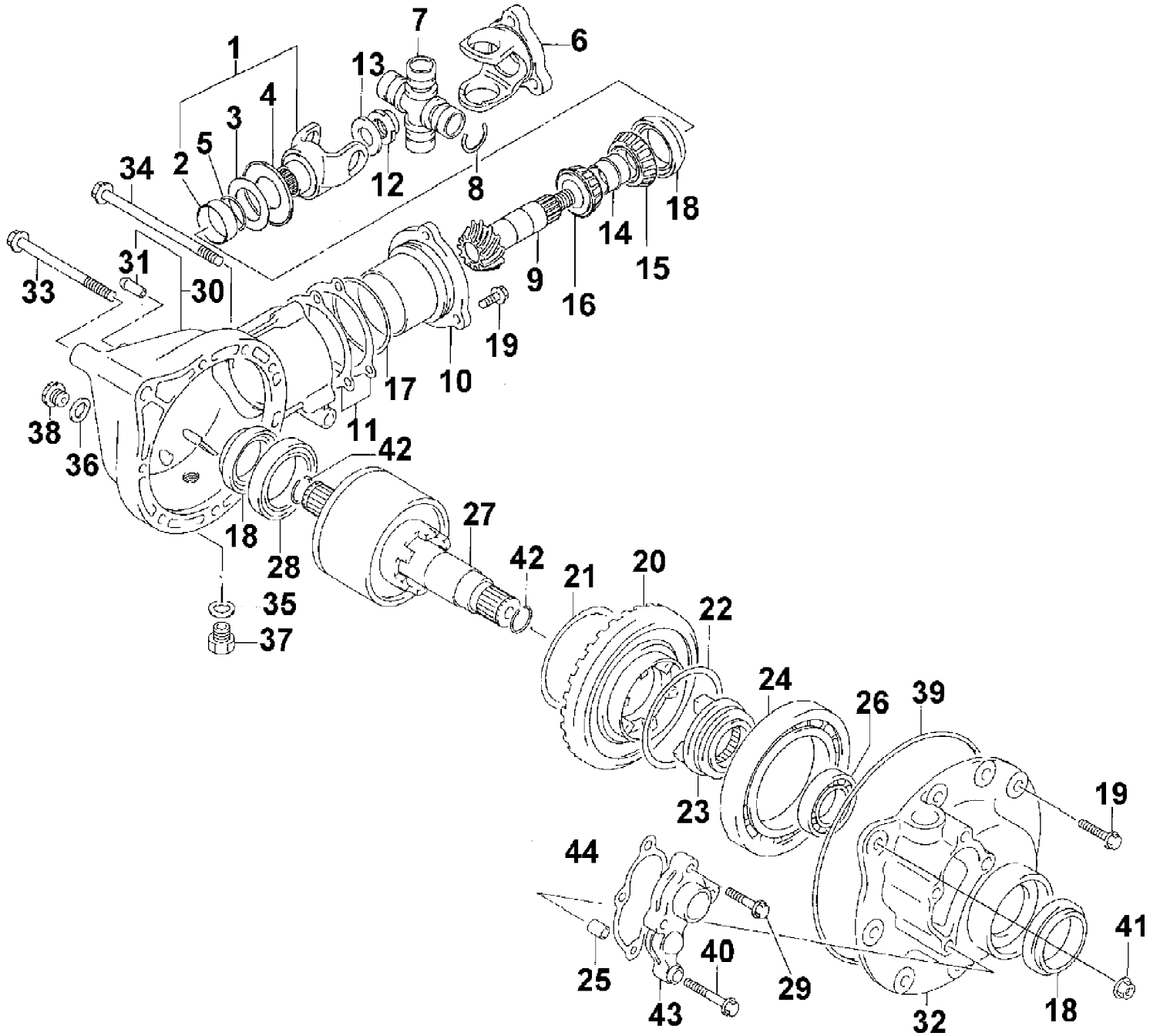
| Ref # | Part Number | Qty | S/P/F | Description |
|-------|-------------|-----|-------|--------------------------------------|
| | N/A | 1 | | Complete Gasket Set |
| 1 | 3402-361 | 1 | | Head, Cylinder - Assembly (inc. 2-6) |
| 2 | 3402-099 | 4 | | Guide, Valve |
| 3 | 3423-068 | 4 | | Circlip |
| 4 | 3423-043 | 2 | /P | Pin, Dowel |
| 5 | 3423-006 | 4 | | Screw, Cap |
| 6 | 3008-376 | 2 | S | Screw, Cap |
| 7 | 3402-362 | 1 | | Gasket, Cylinder Head |
| 8 | 3423-088 | 2 | | Pin, Dowel |
| 9 | 3423-015 | 2 | | Screw, Cap |
| 10 | 3423-016 | 2 | | Screw, Cap |
| 11 | 3423-089 | 2 | S | Bolt, Stud |
| 12 | 3423-087 | 2 | S | Bolt, Stud |
| 13 | 3423-203 | 1 | S/P | Bolt, Stud |
| 14 | 3423-007 | 2 | S | Screw, Cap |
| 15 | 3004-376 | 4 | S/P | Screw, Cap |
| 16 | 3004-488 | 5 | S/P | Nut |
| 17 | 3004-326 | 1 | S/P | Nut |
| 18 | 3003-290 | 4 | /P | Gasket |
| 19 | 3402-010 | 4 | | Gasket, Head Nut |
| 20 | 0217-632 | 1 | | Spark Plug (NGKCR6E) |
| 21 | 3402-100 | 2 | | Cap, Inspection |
| 22 | 3402-101 | 2 | | O-Ring |
| 23 | 3004-341 | 3 | S/P | Screw, Cap |
| 24 | 3402-035 | 1 | | Plug, Cylinder Head |
| 25 | 3402-435 | 1 | | Pipe, Intake - Assembly |
| 25 | 3402-358 | 1 | | Pipe, Intake - Assembly |
| 26 | 3423-353 | 1 | /P | O-Ring |
| 27 | 3423-347 | 2 | | Screw, Cap |
| 28 | 3402-086 | 2 | /P | Clamp |
| 29 | 3530-030 | 1 | S | Switch, Water Temperature - Assembly |
| 30 | 3413-004 | 1 | | Cover, Thermostat |
| 31 | 3004-341 | 1 | S/P | Screw, Cap |
| 32 | 3423-354 | 1 | | Stud, Thermostat Cover |
| 33 | 3423-349 | 1 | | Nut |
| 34 | 3413-012 | 1 | | Thermostat |
| 35 | 3423-383 | 1 | | Bolt, Stud |
| 36 | 0470-412 | 1 | | Tube, Intake |
| 37 | 3402-048 | 1 | F | Plug, Frost |



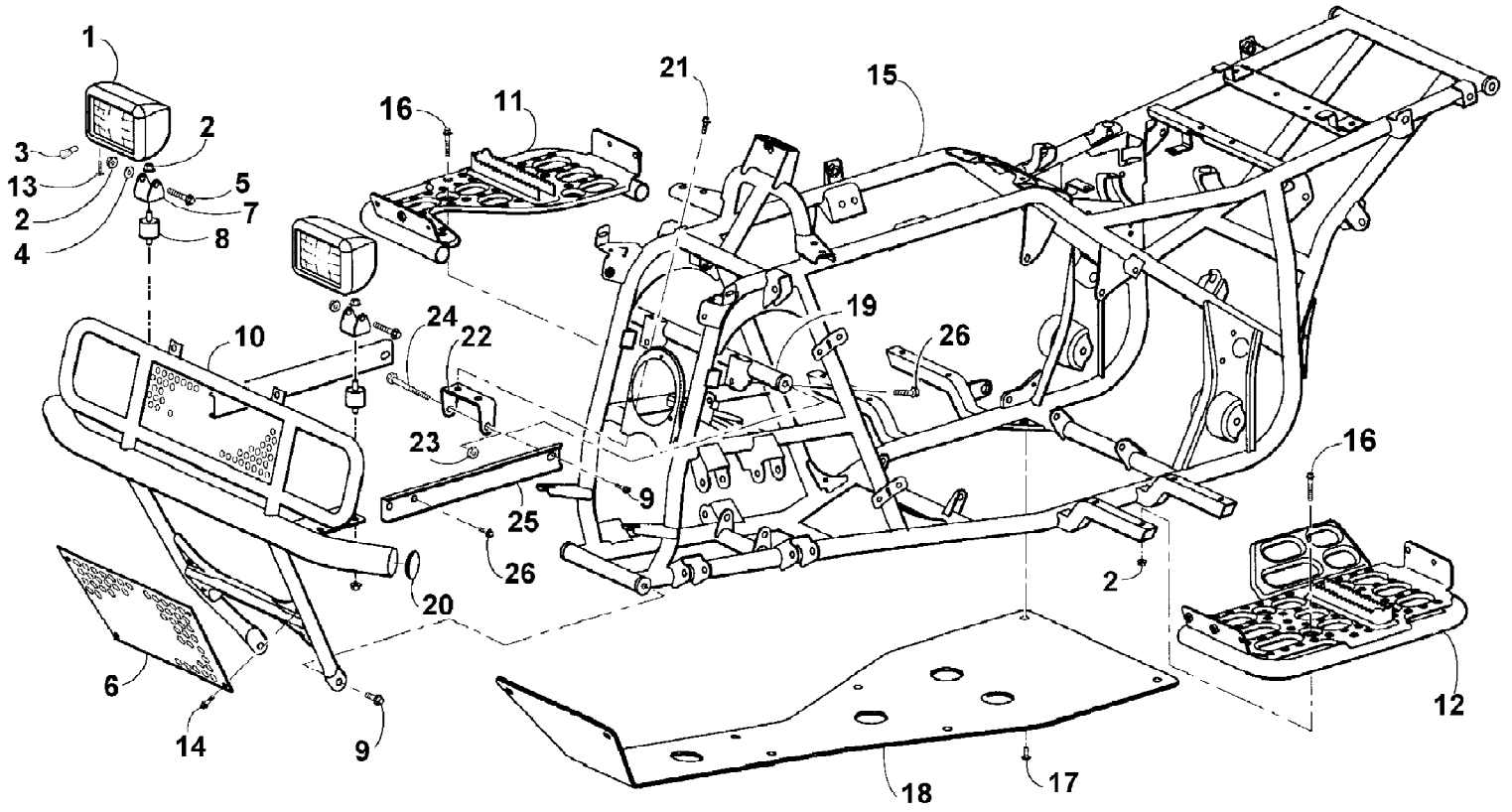
| Ref # | Part Number | Qty | S/P/F | Description |
|-------|-------------|-----|-------|------------------------------------|
| 1 | 0411-006 | 1 | | Decal, Warning - Front Rack Load |
| 2 | 0411-303 | 1 | | Decal, Front (Red) |
| 2 | 0411-302 | 1 | | Decal, Front (Green) |
| 3 | 3611-002 | 1 | | Decal, "Made In U.S.A." |
| 4 | 0411-045 | 1 | | Decal, Warning - Turn |
| 5 | 0411-008 | 1 | /P | Decal, Warning Reverse/Pre-Ride |
| 6 | 0411-040 | 1 | | Decal, Warning - Age |
| 7 | 0411-218 | 1 | | Decal, Warning - General |
| 8 | 0411-322 | 1 | | Decal, "500" - Right Side (Red) |
| 8 | 0411-323 | 1 | | Decal, "500" - Left Side (Red) |
| 8 | 0411-320 | 1 | | Decal, "500" - Right Side (Green) |
| 8 | 0411-321 | 1 | | Decal, "500" - Left Side (Green) |
| 9 | 0411-228 | 1 | | Decal, Warning - Tire Pressure |
| 10 | 0411-324 | 1 | | Decal, Instruction - Start in Gear |
| 11 | 0411-007 | 1 | | Decal, Warning - Rear Rack Load |
| 12 | 0411-043 | 1 | /P | Decal, "Arctic Cat" |
| 13 | 0411-267 | 1 | | Decal, Warning - Towing |
| 14 | 0411-291 | 1 | | Decal, "Duramatic" |
| 15 | 0411-011 | 1 | | Decal, Caution - Electrical |



| Ref # | Part Number | Qty | S/P/F | Description |
|-------|-------------|-----|-------|-------------------------------|
| 1 | 0512-021 | 1 | | Pipe, Exhaust |
| 2 | 8408-820 | 2 | /P | Screw, Cap |
| 3 | 3423-009 | 2 | /P | Bolt |
| 4 | 0423-050 | 3 | | Washer |
| 5 | 0423-042 | 1 | S | Spacer |
| 6 | 0462-013 | 1 | | Engine |
| 7 | 8428-002 | 3 | | Nut, Lock |
| 8 | 0412-007 | 1 | /P | Seal, Exhaust |
| 9 | 8424-802 | 4 | | Nut, Flange |
| 10 | 8408-860 | 1 | | Screw, Cap |
| 11 | 8408-816 | 4 | | Screw, Cap |
| 12 | 0506-374 | 1 | | Bracket, Engine - Upper |
| 13 | 0423-150 | 1 | | Clamp, Exhaust |
| 14 | 0412-033 | 6 | | Bushing, Exhaust |
| 15 | 0412-049 | 1 | S | Muffler |
| 16 | 0423-106 | 3 | | Screw, Machine |
| 17 | 0406-487 | 1 | S | Cover, Exhaust |
| 18 | 0423-079 | 2 | | Clamp, Hose |
| 19 | 0406-298 | 1 | | Plate, Heat - Muffler |
| 20 | 8053-211 | 2 | S | Washer, Lock - External Tooth |
| 21 | 0412-054 | 1 | | Shield, Heat |
| 21 | 0412-055 | 1 | | Shield, Heat |
| 22 | 8477-610 | 2 | | Screw, Machine |
| 23 | 0423-030 | 1 | | Grommet |
| 24 | 0423-036 | 1 | | Collar |
| 25 | 8476-620 | 1 | | Screw, Machine |
| 26 | 3423-391 | 1 | | Bolt |
| 27 | 0406-555 | 1 | | Pad, Foam |

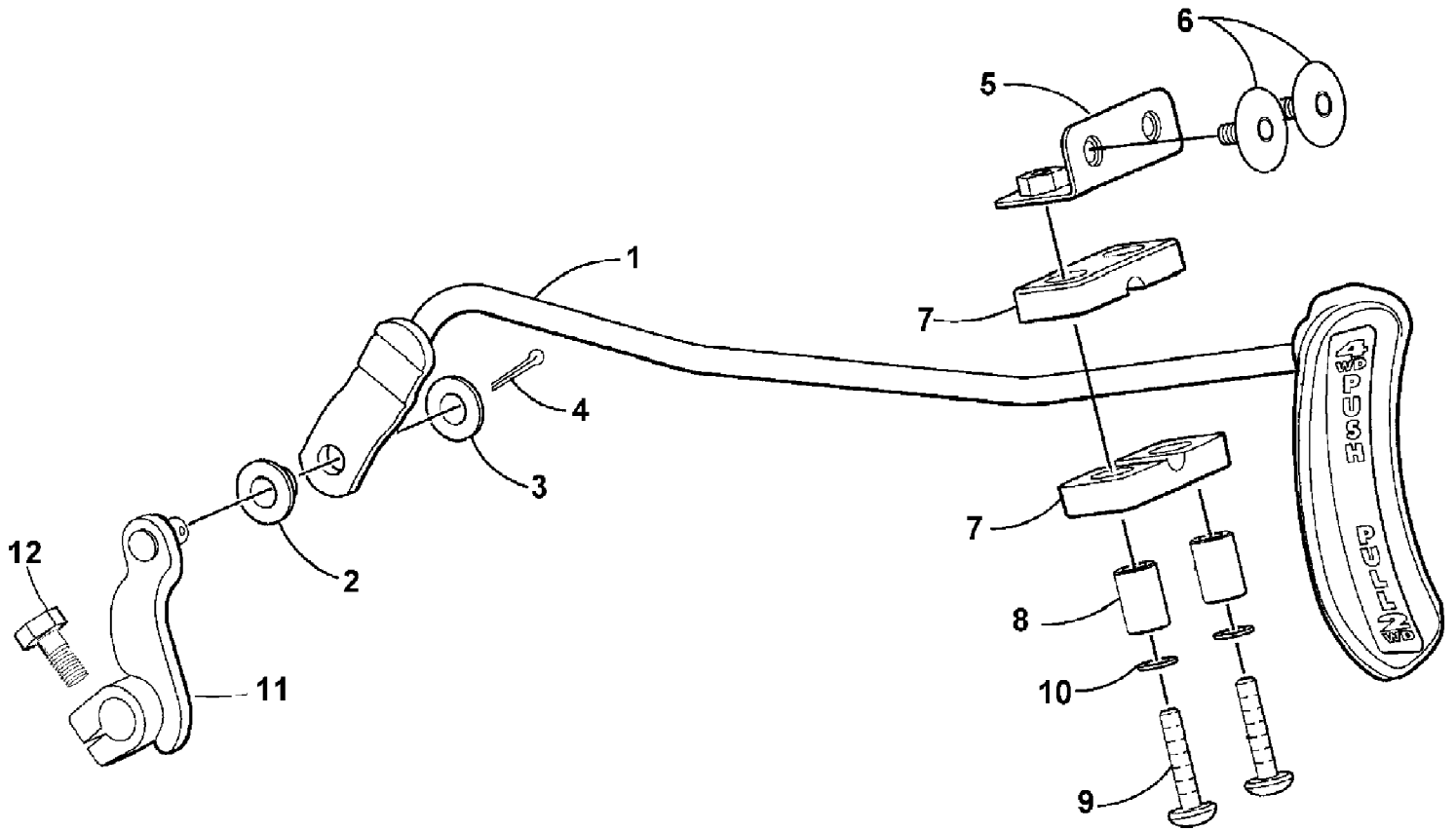


| Ref # | Part Number | Qty | S/P/F | Description |
|-------|-------------|-----|-------|---------------------------------------|
| 1 | 3435-090 | 1 | /P | Yoke, Drive Bevel Gear (inc. 2-5) |
| 2 | 3435-029 | 1 | | Collar, Yoke |
| 3 | 3435-030 | 1 | | Plate, Yoke |
| 4 | 3435-035 | 1 | | Plate, Yoke Collar |
| 5 | 3423-060 | 1 | | O-Ring, Yoke Collar |
| 6 | 3435-091 | 1 | | Yoke, Propeller Shaft |
| 7 | 3435-011 | 1 | | Joint, Universal - Set |
| 8 | 3423-067 | 4 | | Circlip, Universal Joint |
| 9 | 3435-092 | 1 | | Gear, Drive Bevel |
| 10 | 3435-021 | 1 | | Housing, Drive Bevel Gear |
| 11 | 3435-022 | 1 | | Shim Set |
| 12 | 3423-178 | 1 | /P | Nut, Drive Bevel Gear |
| 13 | 3423-028 | 1 | | Washer, Drive Bevel Gear |
| 14 | 3402-016 | 1 | | Spacer, Drive Bevel Gear |
| 15 | 3402-066 | 1 | /P | Bearing, Drive Bevel Gear |
| 16 | 3402-065 | 1 | | Bearing, Drive Bevel Gear |
| 17 | 3423-064 | 1 | | O-Ring, Drive Bevel Gear Housing |
| 18 | 3402-072 | 3 | | Seal |
| 19 | 3423-175 | 9 | S | Bolt |
| 20 | 3402-519 | 1 | | Gear, Driven Bevel |
| 21 | 3435-017 | 1 | | Shim Set - Gear |
| 22 | 3435-020 | 1 | | Shim Set - Bearing |
| 23 | 3435-075 | 1 | | Dog, Differential Lock |
| 24 | 3402-059 | 1 | | Bearing, Driven Bevel |
| 25 | 3005-206 | 2 | /P | Pin, Dowel |
| 26 | 3402-185 | 1 | | Bearing, Driven Output Shaft |
| 27 | 3435-093 | 1 | | Differential Assembly |
| 28 | 3402-057 | 1 | | Bearing, Differential Case - Right |
| 29 | 3004-756 | 2 | S | Bolt, Case Cover |
| 30 | 3435-024 | 1 | | Housing, Differential Gear (inc. 31) |
| 31 | 3402-084 | 1 | | Union, Breather |
| 32 | 3435-078 | 1 | | Case, Driven Gear Bearing |
| 33 | 3423-010 | 1 | /P | Bolt, Mounting - Differential Housing |
| 34 | 3423-419 | 1 | | Bolt, Mounting - Differential Housing |
| 35 | 3402-012 | 1 | | Gasket, Oil Drain Plug - Gear |
| 36 | 3402-013 | 1 | /P | Gasket, Oil Filler Plug - Gear |
| 37 | 3402-036 | 1 | S | Plug, Oil Drain - Gear |
| 38 | 3423-180 | 1 | S | Plug, Oil Filler - Gear |
| 39 | 3423-050 | 1 | | O-Ring, Driven Gear Bearing Case |
| 40 | 0693-327 | 2 | S | Bolt, Case Cover |
| 41 | 3423-341 | 2 | | Nut, Mounting - Differential Housing |
| 42 | 3423-070 | 2 | | Ring, Driveshaft |
| 43 | 3435-079 | 1 | | Cover, Driven Gear Case |
| 44 | 3402-323 | 1 | | Gasket, Case Cover |



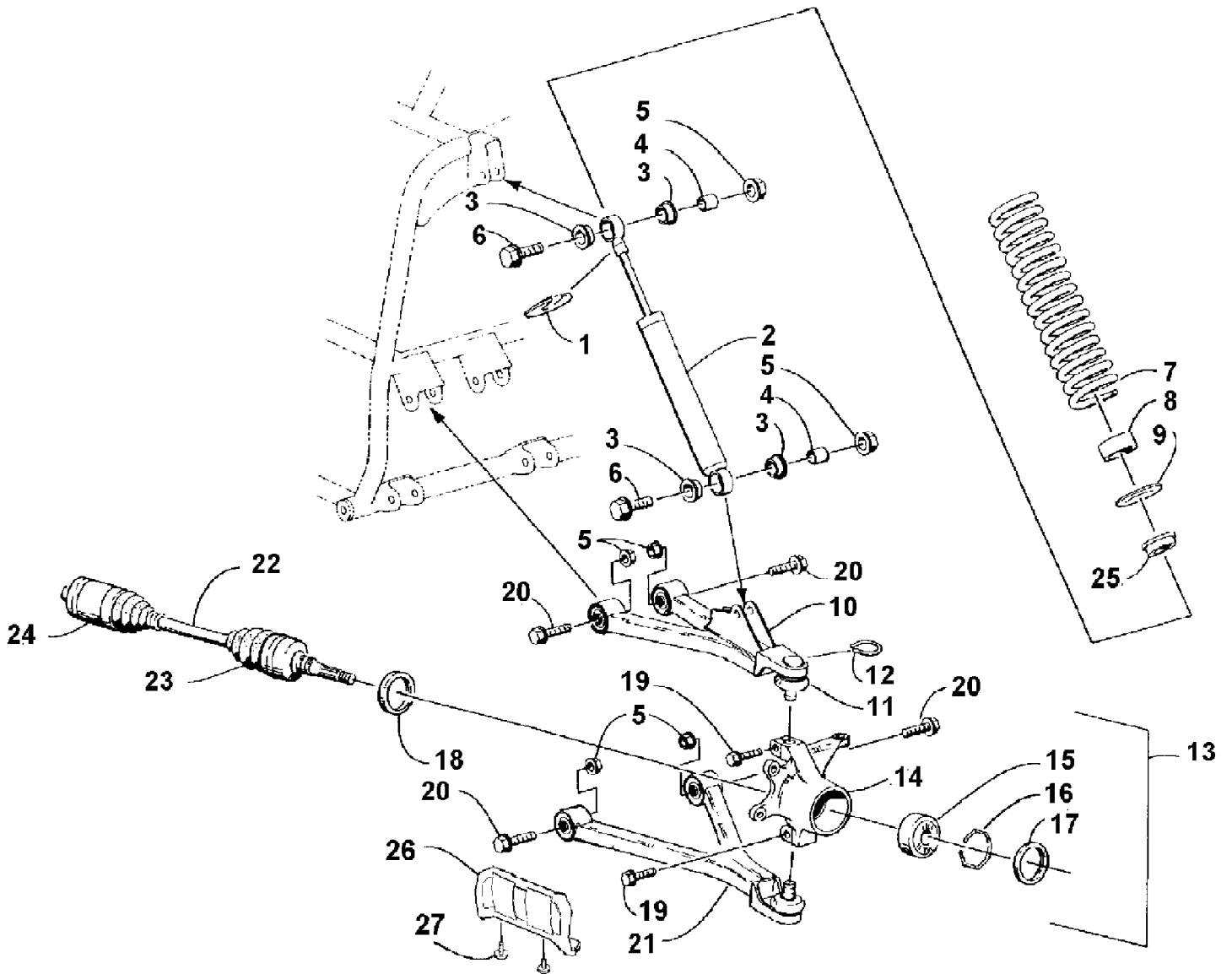
2001 500 CC AUTOMATIC TRANSMISSION (GREEN) (A2001ATM4BUSG) Page 36 of 90
FRAME AND RELATED PARTS

| Ref # | Part Number | Qty | S/P/F | Description |
|-------|-------------|-----|-------|------------------------------------|
| 1 | 0409-001 | 2 | | Headlight Assembly (inc. 3 and 13) |
| 2 | 8424-802 | 9 | | Nut, Flange |
| 3 | 0409-005 | 2 | | Bulb, Headlight |
| 4 | 8053-242 | 2 | /P | Washer, Lock - External Tooth |
| 5 | 8408-850 | 2 | | Screw, Cap |
| 6 | 0406-175 | 1 | | Screen, Bumper - Lower |
| 7 | 0406-261 | 2 | | Yoke, Headlight |
| 8 | 0406-262 | 2 | S | Mount, Headlight |
| 9 | 8409-020 | 4 | /P | Screw, Cap |
| 10 | 0506-410 | 1 | | Guard, Brush |
| 11 | 0506-338 | 1 | | Footrest - Right |
| 12 | 0506-339 | 1 | | Footrest - Left |
| 13 | 0123-950 | 2 | | Screw, Self-Tapping |
| 14 | 8408-816 | 4 | | Screw, Cap |
| 15 | 0506-476 | 1 | /P | Frame, Main |
| 16 | 0423-162 | 7 | | Screw, Cap |
| 17 | 0423-101 | 8 | | Screw, Body |
| 18 | 0406-516 | 1 | | Panel, Belly |
| 19 | 0506-079 | 1 | | Tube, Cross - Bumper |
| 20 | 0406-130 | 2 | | Cap, Bumper |
| 21 | 8408-820 | 2 | /P | Screw, Cap |
| 22 | 0506-149 | 1 | | Bracket, Differential |
| 23 | 8428-002 | 2 | | Nut, Lock |
| 24 | 3423-010 | 2 | /P | Screw, Cap |
| 25 | 0506-297 | 2 | S | Channel, Bumper Mounting |
| 26 | 8408-812 | 6 | | Screw, Cap |



2001 500 CC AUTOMATIC TRANSMISSION (GREEN) (A2001ATM4BUSG) Page 38 of 90
FRONT SHIFT LINKAGE ASSEMBLY

| Ref # | Part Number | Qty | S/P/F | Description |
|-------|-------------|-----|-------|------------------------|
| 1 | 0502-160 | 1 | | Linkage, Shift |
| 2 | 0423-091 | 1 | | Bushing, Shift Linkage |
| 3 | 8050-242 | 1 | | Washer |
| 4 | 0117-868 | 1 | | Pin, Cotter |
| 5 | 0506-400 | 1 | | Bracket, Shift Linkage |
| 6 | 0423-101 | 2 | | Screw, Body |
| 7 | 0406-363 | 2 | | Bushing |
| 8 | 0402-256 | 2 | | Collar |
| 9 | 8476-630 | 2 | | Screw, Machine |
| 10 | 8050-222 | 2 | /P | Washer |
| 11 | 0502-221 | 1 | /P | Arm, Select |
| 12 | 8476-620 | 1 | | Screw, Machine |

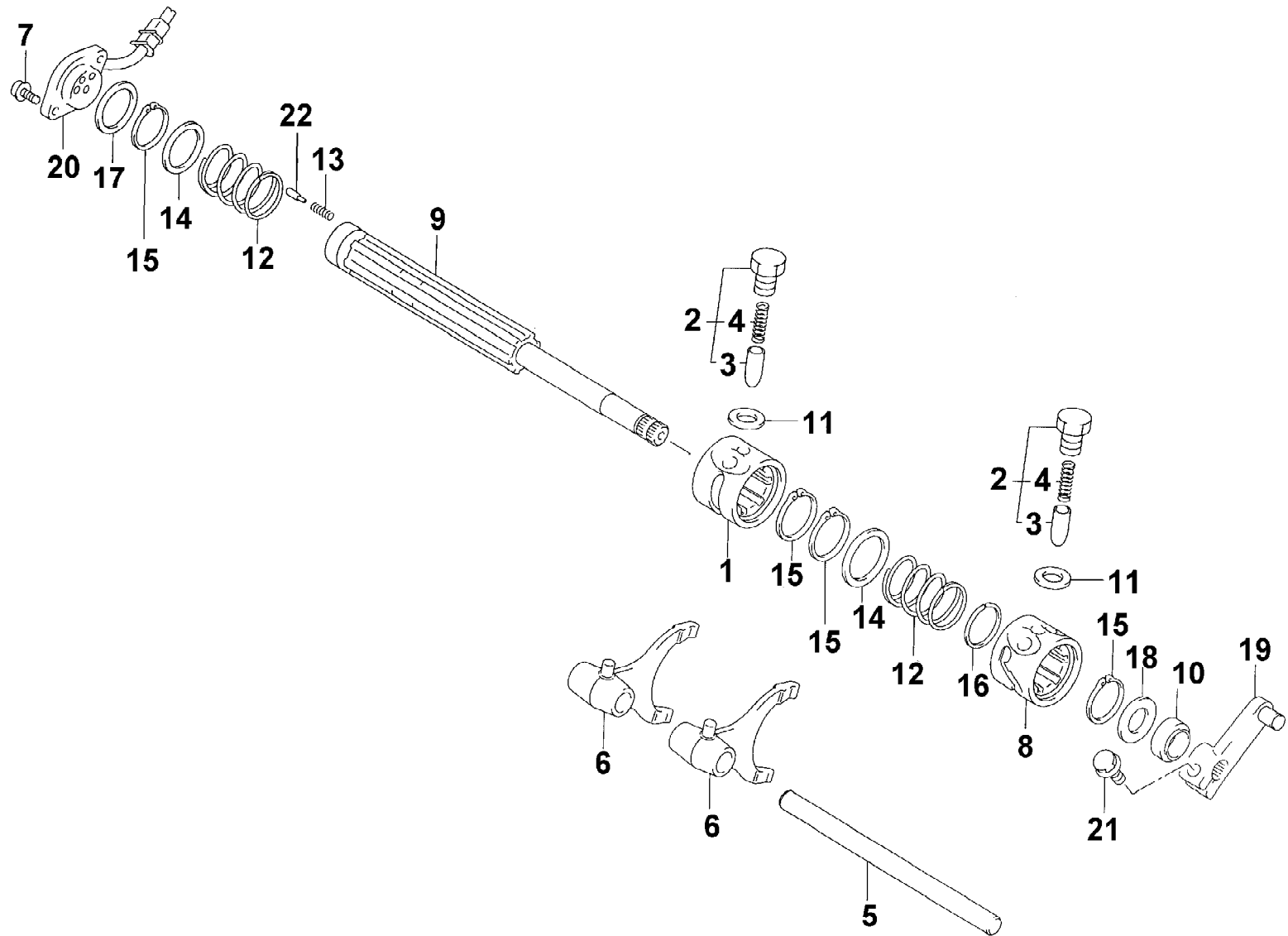


2001 500 CC AUTOMATIC TRANSMISSION (GREEN) (A2001ATM4BUSG) Page 40 of 90
FRONT SUSPENSION ASSEMBLY

| Ref # | Part Number | Qty | S/P/F | Description |
|-------|-------------|-----|-------|--|
| 1 | 0603-033 | 2 | S | Retainer, Spring |
| 2 | 0403-001 | 2 | | Shock Absorber - Front (inc. 3-4) |
| 3 | 0604-310 | 8 | | Bushing, Shock Absorber |
| 4 | 0403-028 | 4 | | Sleeve, Shock |
| 5 | 8428-002 | 12 | | Nut, Lock |
| 6 | 8409-040 | 4 | | Screw, Cap |
| 7 | 0403-002 | 2 | | Spring, Shock Absorber |
| 8 | 0403-025 | 2 | /P | Collar, Spring |
| 9 | 0403-013 | 2 | | Washer, Spring |
| 10 | 0503-026 | 1 | S/P | A-Arm, Upper Right - Assembly (inc. 11-12) |
| 10 | 0503-027 | 1 | S/P | A-Arm, Upper Left - Assembly (inc. 11-12) |
| 11 | 0405-068 | 4 | S | Ball Joint - Front |
| 12 | 0423-009 | 4 | /P | Clip, Ball Joint |
| 13 | 0505-026 | 1 | S/P | Knuckle - Assembly - Right (inc. 14-18) |
| 13 | 0505-027 | 1 | S/P | Knuckle - Assembly - Left (inc. 14-18) |
| 14 | 0505-062 | 1 | S | Knuckle, Steering - Right |
| 14 | 0505-063 | 1 | S | Knuckle, Steering - Left |
| 15 | 0402-275 | 2 | /P | Bearing, Wheel Hub - Front |
| 16 | 0423-034 | 2 | | Clip, Bearing |
| 17 | 0402-089 | 2 | | Seal, Wheel Bearing - Front |
| 18 | 0402-069 | 2 | | Seal, Wheel Bearing - Front |
| 19 | 8409-030 | 4 | | Screw, Cap |
| 20 | 8409-060 | 8 | | Screw, Cap |
| 21 | 0503-092 | 1 | S | A-Arm, Lower Right (inc. 11-12) |
| 21 | 0503-093 | 1 | S | A-Arm, Lower Left (inc. 11-12) |
| 22 | 0402-179 | 1 | S | Axle, Drive - Front - Right |
| 22 | 0402-249 | 1 | S | Axle, Drive - Front - Left |
| 23 | 0436-114 | 2 | S | Repair Kit, Outer Boot - Front Axle |
| 24 | 0436-113 | 2 | S | Repair Kit, Inner Boot - Front Axle |
| 25 | 0403-027 | 2 | | Retainer, Spring - Lower |
| 26 | 0406-656 | 2 | | Guard, Boot - Axle |
| 27 | 0423-101 | 4 | | Screw, Body |

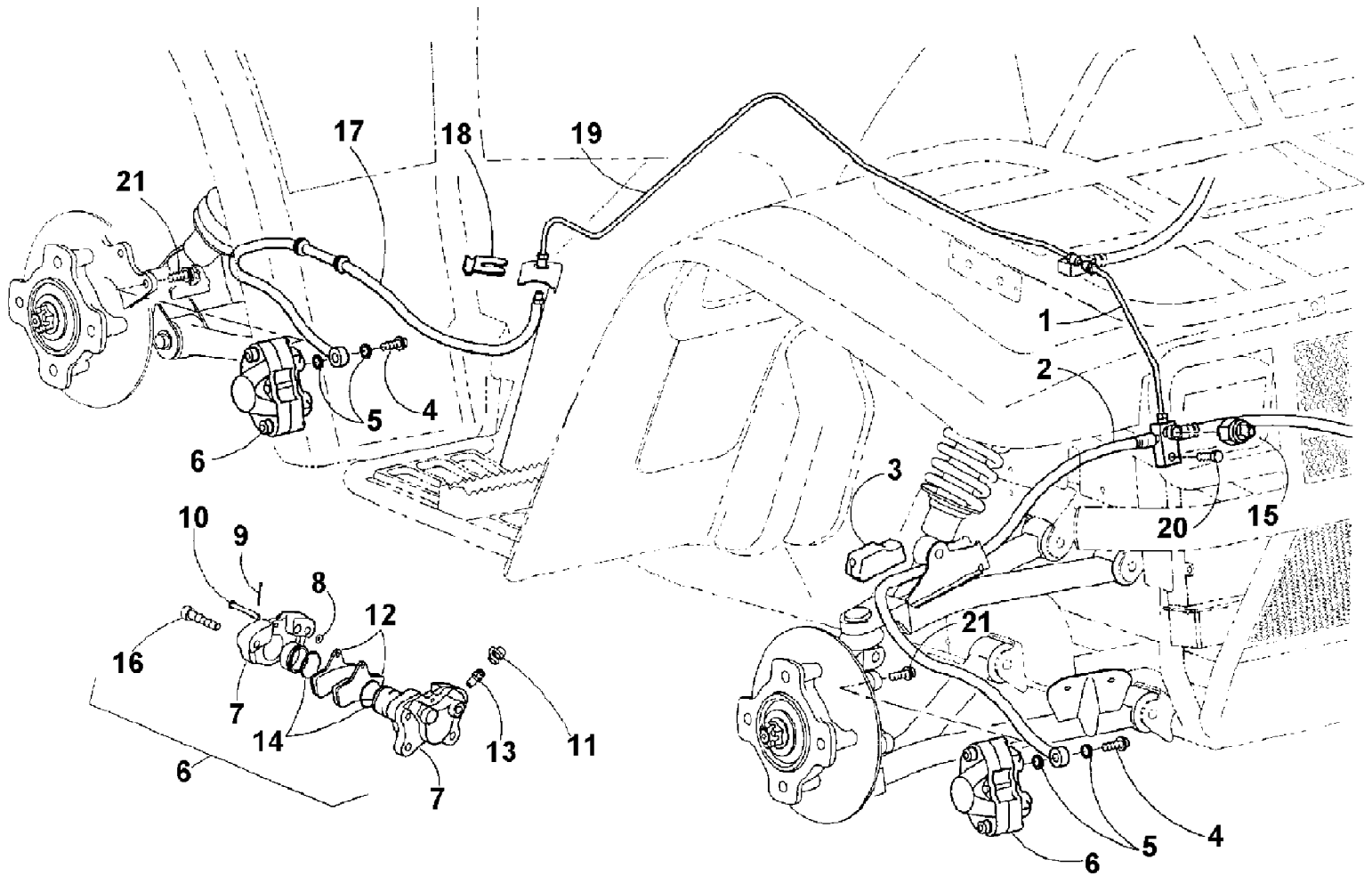
2001 500 CC AUTOMATIC TRANSMISSION (GREEN) (A2001ATM4BUSG) Page 42 of 90
 GAS TANK ASSEMBLY

| Ref # | Part Number | Qty | S/P/F | Description |
|-------|-------------|-----|-------|----------------------------------|
| 1 | 0570-035 | 1 | S | Tank, Gas - Assembly (inc. 2-12) |
| 2 | 0470-438 | 1 | /P/F | Cap, Gas (inc. 3) |
| 3 | 0109-733 | 1 | /P/F | Gasket, Gas Cap |
| 4 | 0470-444 | 1 | S/F | Gauge, Fuel w/Gasket |
| 5 | 0624-250 | 2 | F | Nut, Lock |
| 6 | 0470-381 | 1 | S | Hose, Vent |
| 7 | 0610-007 | AR | /P | Hose, Gasline - 25 ft |
| 8 | 0423-152 | 2 | | Clamp, Hose - Spring |
| 9 | 0470-401 | 1 | S | Valve, Fuel Shut-Off (inc. 10) |
| 10 | 0470-364 | 1 | | Gasket, Fuel Shut-Off Valve |
| 11 | 0470-408 | 1 | | Knob, Fuel Shut-Off Valve |
| 12 | 0423-146 | 1 | | Screw, Fuel Shut-Off Valve Knob |
| 13 | 0423-130 | 2 | | Screw, Gas Tank |



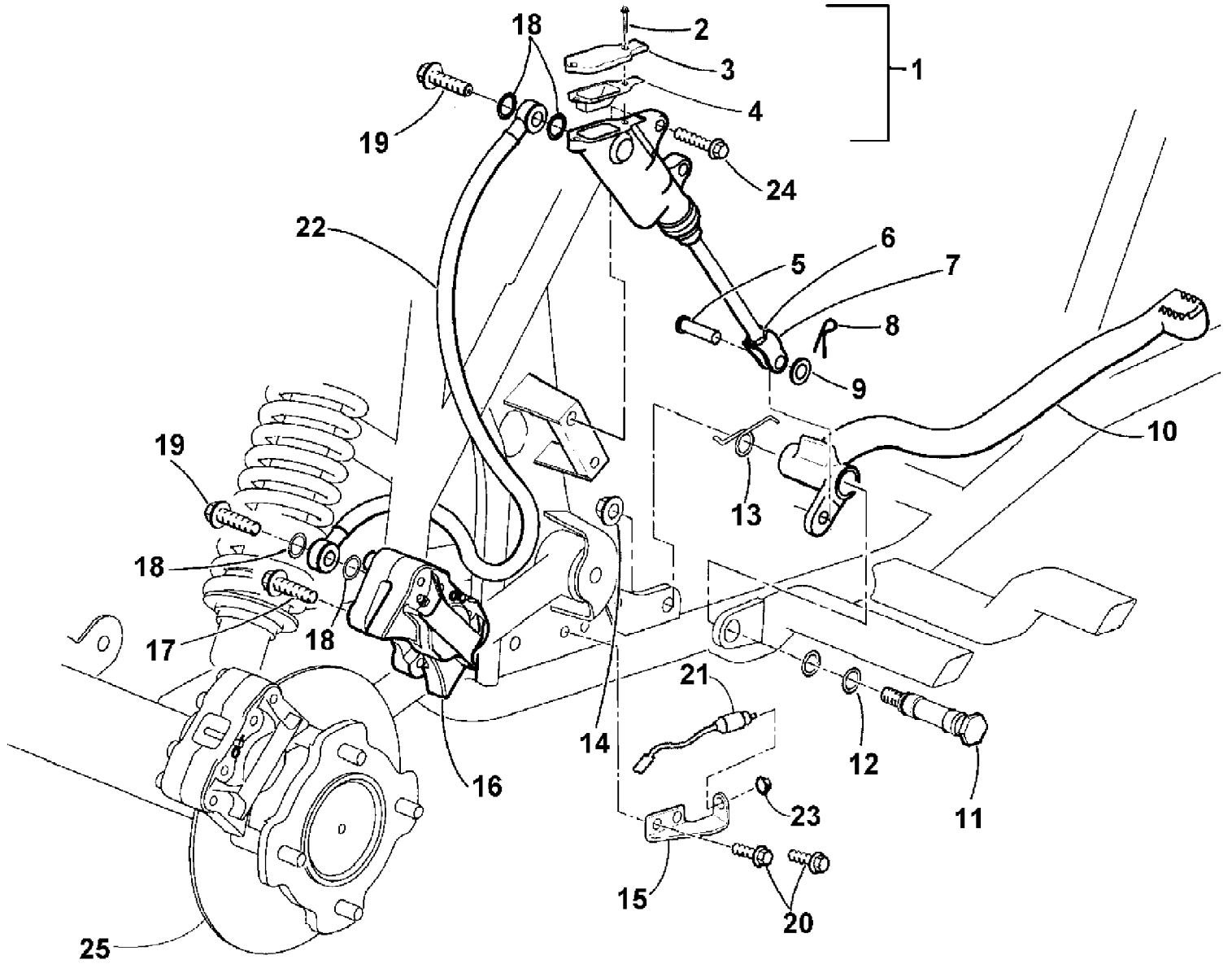
2001 500 CC AUTOMATIC TRANSMISSION (GREEN) (A2001ATM4BUSG) Page 44 of 90
 GEAR SHIFT ASSEMBLY

| Ref # | Part Number | Qty | S/P/F | Description |
|-------|-------------|-----|-------|-------------------------------|
| 1 | 3446-264 | 1 | | Cam, Gear Shift - Reverse |
| 2 | 3446-265 | 2 | | Stopper, Shift Cam (inc. 3-4) |
| 3 | 3446-242 | 2 | | Stopper |
| 4 | 3446-113 | 2 | | Spring |
| 5 | 3446-266 | 1 | | Shaft, Shift Fork |
| 6 | 3446-073 | 2 | | Fork, Shift |
| 7 | 3423-418 | 2 | | Bolt |
| 8 | 3446-267 | 1 | | Cam, Gear Shift |
| 9 | 3446-268 | 1 | | Shaft, Gear Shift |
| 10 | 3402-076 | 1 | | Seal, Gear Shift |
| 11 | 3402-012 | 2 | | Gasket, Shift Cam Stopper |
| 12 | 3446-104 | 2 | | Spring, Shift Cam |
| 13 | 3402-087 | 2 | | Spring |
| 14 | 3402-382 | 2 | | Washer, Shift Cam Spring |
| 15 | 3423-191 | 4 | /P | Circlip, Shift Cam Spring |
| 16 | 3423-416 | 1 | | C-Ring, Cam Stop |
| 17 | 3423-421 | 1 | /P | Washer, Shift Shaft |
| 18 | 3423-417 | 1 | | Washer, Shift Shaft |
| 19 | 3402-434 | 1 | /P | Arm, Select |
| 20 | 3530-031 | 1 | | Base, Gear Shift - Assembly |
| 21 | 3004-341 | 1 | S/P | Bolt, Shift Lever |
| 22 | 3423-044 | 2 | | Contact |



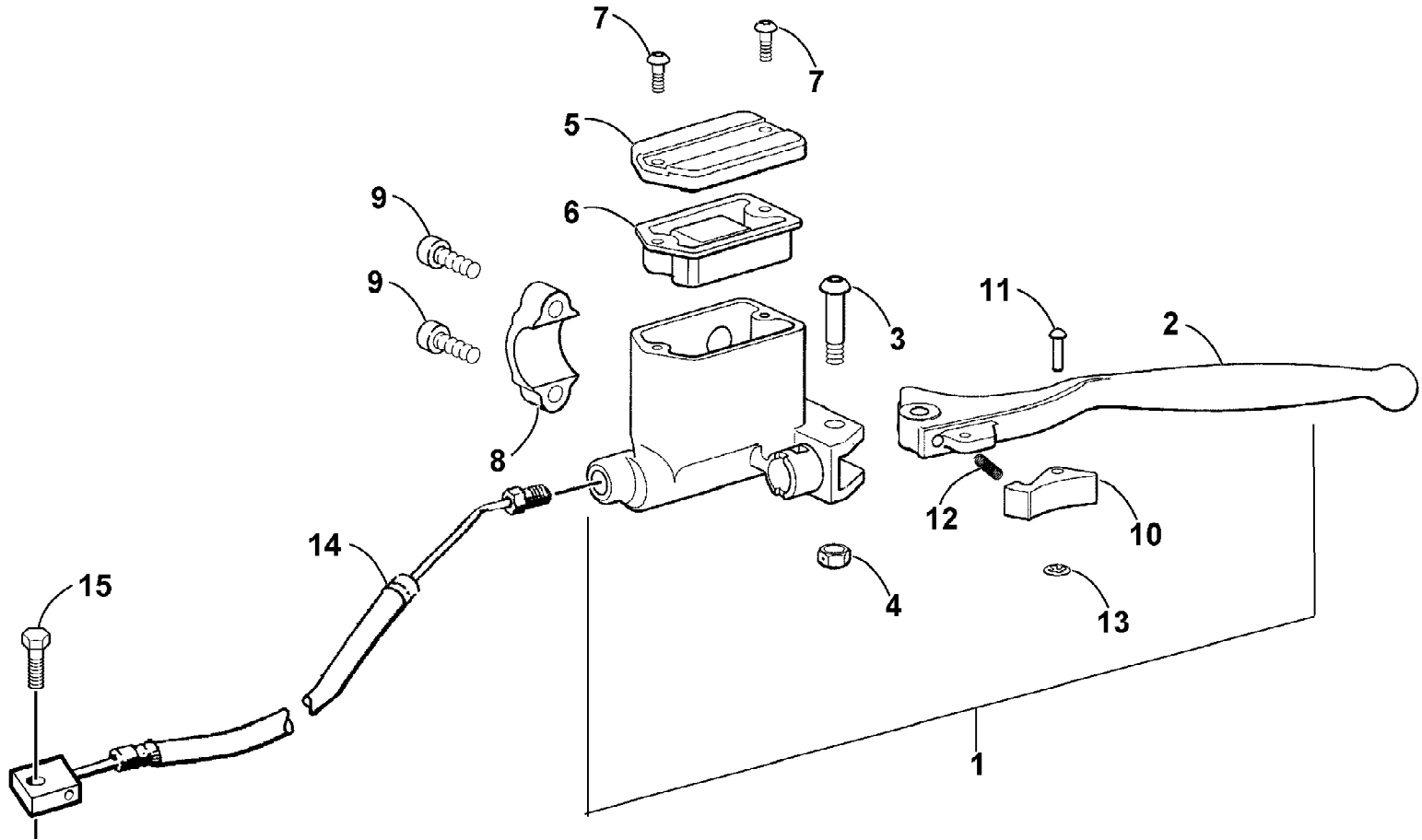
2001 500 CC AUTOMATIC TRANSMISSION (GREEN) (A2001ATM4BUSG) Page 46 of 90
 HYDRAULIC BRAKE ASSEMBLY

| Ref # | Part Number | Qty | S/P/F | Description |
|-------|-------------|-----|-------|---|
| 1 | 0402-373 | 1 | | Tube, Brakeline - Front |
| 2 | 0402-307 | 1 | | Hose, Brake - Front |
| 3 | 0402-073 | 2 | | Block, Mounting |
| 4 | 0423-038 | 3 | S | Bolt, Oil |
| 5 | 0423-039 | 6 | | Washer, Crush |
| 6 | 0402-488 | 1 | S | Caliper, Brake - Right Front (inc. 7-14 and 16) |
| 6 | 0402-489 | 2 | S | Caliper, Brake - Left Front and Rear (inc. 7-14 and 16) |
| 7 | 0 | 6 | F | Housing, Caliper |
| 8 | 0402-490 | 3 | | O-Ring |
| 9 | 0402-496 | 3 | S | Pin, Cotter |
| 10 | 0402-495 | 3 | | Pin, Brake Caliper |
| 11 | 0402-493 | 3 | | Cap, Bleeder Valve |
| 12 | 0402-494 | 6 | S | Pad, Brake |
| 13 | 0402-491 | 3 | S | Valve, Bleeder |
| 14 | 0402-487 | 6 | | O-Ring, Brake Caliper |
| 15 | 0402-306 | 1 | /P | Switch, Brake Pressure |
| 16 | 0402-492 | 12 | | Screw, Cap |
| 17 | 0402-184 | 1 | | Hose, Brake - Rear |
| 18 | 0402-597 | 1 | /P | Clip, Brakeline |
| 19 | 0402-593 | 1 | /P | Tube, Brakeline - Rear |
| 20 | 8476-625 | 1 | | Screw, Cap |
| 21 | 8408-825 | 6 | | Screw, Cap |



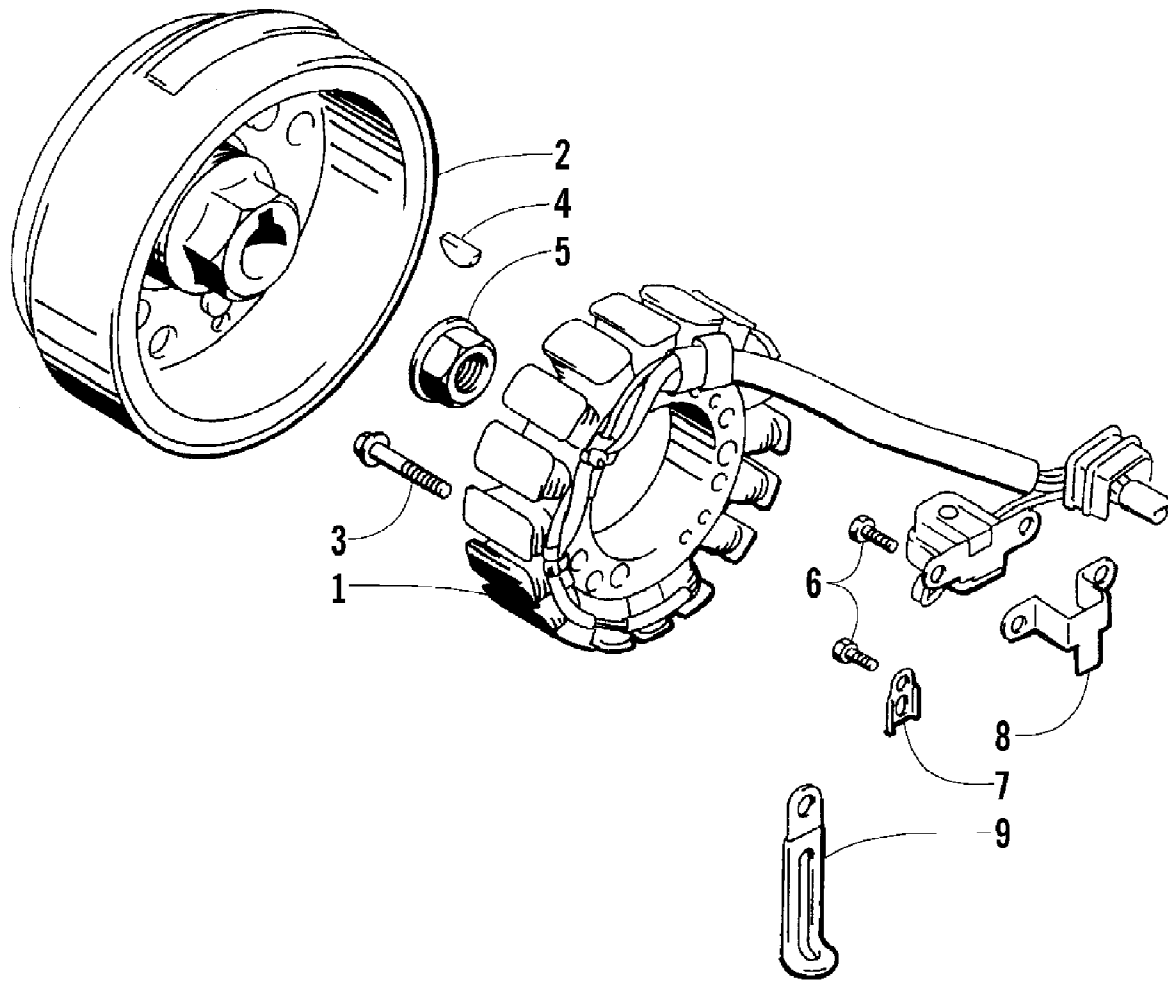
2001 500 CC AUTOMATIC TRANSMISSION (GREEN) (A2001ATM4BUSG) Page 48 of 90
 HYDRAULIC FOOT BRAKE ASSEMBLY

| Ref # | Part Number | Qty | S/P/F | Description |
|-------|-------------|-----|-------|-------------------------------------|
| 1 | 0502-130 | 1 | S | Master Cylinder Assembly (inc. 2-9) |
| 2 | 0402-545 | 2 | | Screw, Machine |
| 3 | 0402-588 | 1 | | Cover, Reservoir |
| 4 | 0402-591 | 1 | | Bladder, Reservoir |
| 5 | 0402-575 | 1 | | Pin, Clevis |
| 6 | 0402-592 | 2 | | Nut |
| 7 | 0402-580 | 1 | | Push-Rod, Actuator |
| 8 | 0402-584 | 1 | | Clip, Hairpin |
| 9 | 0402-583 | 1 | | Washer |
| 10 | 0502-203 | 1 | /P | Lever, Foot Brake |
| 11 | 0402-788 | 1 | | Axle, Foot Brake |
| 12 | 0423-096 | 2 | | O-Ring |
| 13 | 0402-516 | 1 | | Spring, Foot Brake |
| 14 | 8422-002 | 1 | | Nut |
| 15 | 0406-763 | 1 | | Bracket, Brake Switch |
| 16 | 0402-488 | 1 | S | Caliper, Brake |
| 17 | 8408-825 | 2 | | Screw, Cap |
| 18 | 0423-039 | 4 | | Washer, Crush |
| 19 | 0423-038 | 2 | S | Bolt, Oil |
| 20 | 8476-616 | 2 | | Screw, Machine |
| 21 | 0409-009 | 1 | | Switch, Brake |
| 22 | 0402-512 | 1 | | Hose, Brake |
| 23 | 0402-168 | 1 | /P | Retainer, Brake Switch |
| 24 | 8408-830 | 2 | | Screw, Cap |
| 25 | 0402-482 | 1 | S | Disc, Brake |



2001 500 CC AUTOMATIC TRANSMISSION (GREEN) (A2001ATM4BUSG) Page 50 of 90
HYDRAULIC HAND BRAKE ASSEMBLY

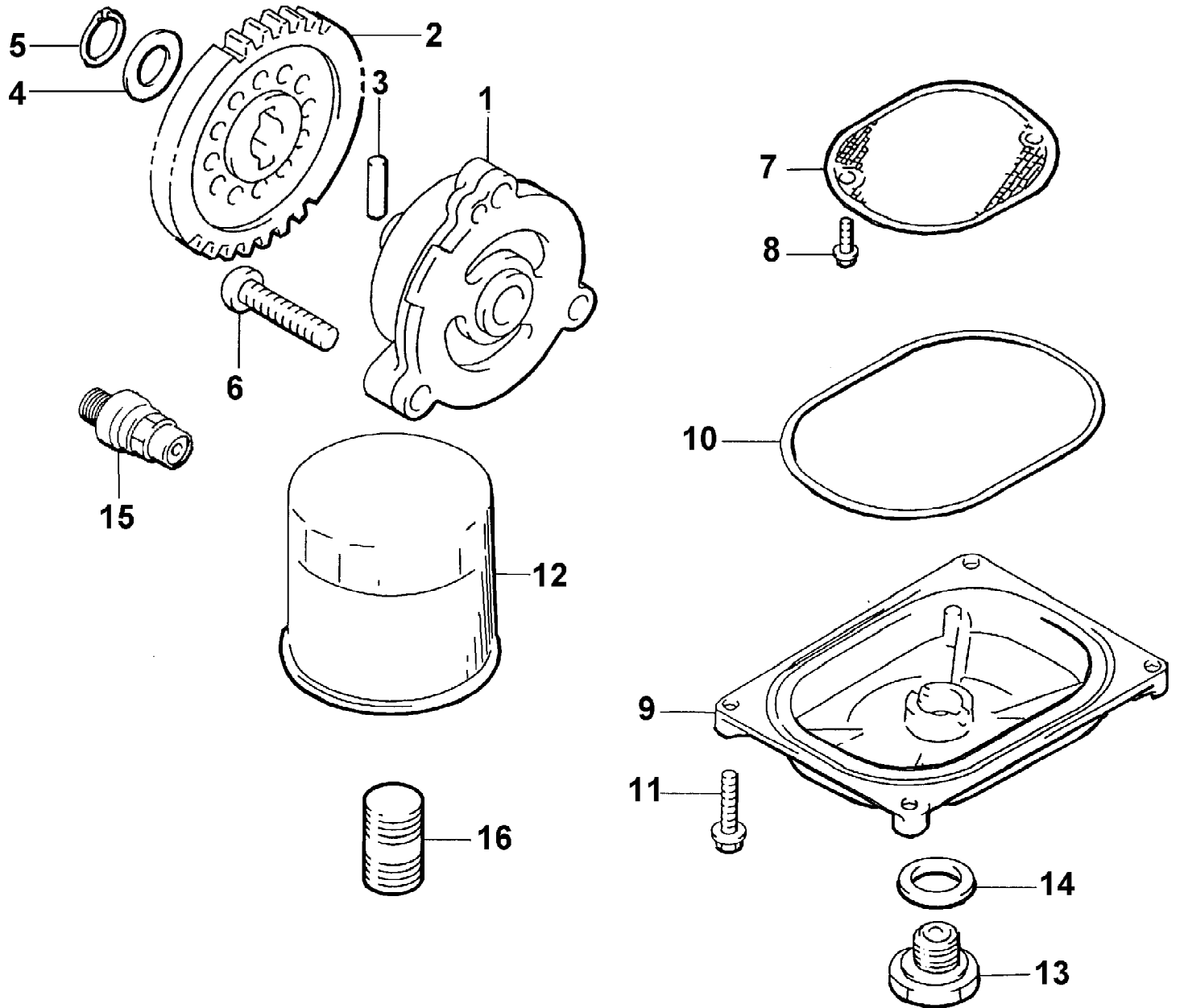
| Ref # | Part Number | Qty | S/P/F | Description |
|-------|-------------|-----|-------|---|
| 1 | 0502-231 | 1 | S | Cylinder, Master - Assembly (inc. 2-13) |
| 2 | 0402-818 | 1 | /P | Lever, Brake |
| 3 | 0402-549 | 1 | S | Screw |
| 4 | 0402-557 | 1 | S | Nut, Lock |
| 5 | 0402-544 | 1 | | Cover, Reservoir |
| 6 | 0402-553 | 1 | | Bladder, Reservoir |
| 7 | 0402-545 | 2 | | Screw |
| 8 | 0402-558 | 1 | S | Clamp, Master Cylinder |
| 9 | 0402-562 | 2 | S | Screw |
| 10 | 0402-546 | 1 | S | Lever, Brake - Lock |
| 11 | 0402-547 | 1 | S | Rivet |
| 12 | 0402-559 | 1 | | Spring, Lever Lock |
| 13 | 0402-561 | 1 | S | Washer, Lock - Retaining |
| 14 | 0402-050 | 1 | S | Hose, Brakeline |
| 15 | 8476-625 | 1 | | Screw, Machine |



2001 500 CC AUTOMATIC TRANSMISSION (GREEN) (A2001ATM4BUSG) Page 52 of 90
MAGNETO ASSEMBLY

| Ref # | Part Number | Qty | S/P/F | Description |
|-------|-------------|-----|-------|------------------------|
| 1 | 3430-045 | 1 | | Stator Assembly |
| 2 | 3430-046 | 1 | | Rotor/Flywheel |
| 3 | 3423-162 | 3 | S | Bolt, Magneto |
| 4 | 0691-785 | 1 | | Key, Magneto |
| 5 | 3423-086 | 1 | | Nut, Magneto |
| 6 | 3423-005 | 3 | /P | Bolt |
| 7 | 3430-005 | 1 | | Clamp, Magneto (No. 1) |
| 8 | 3430-006 | 1 | | Clamp, Magneto (No. 2) |
| 9 | 3002-964 | 1 | /P | Clamp, Wire |

2001 500 CC AUTOMATIC TRANSMISSION (GREEN) (A2001ATM4BUSG) Page 53 of 90
OIL FILTER/PUMP ASSEMBLY

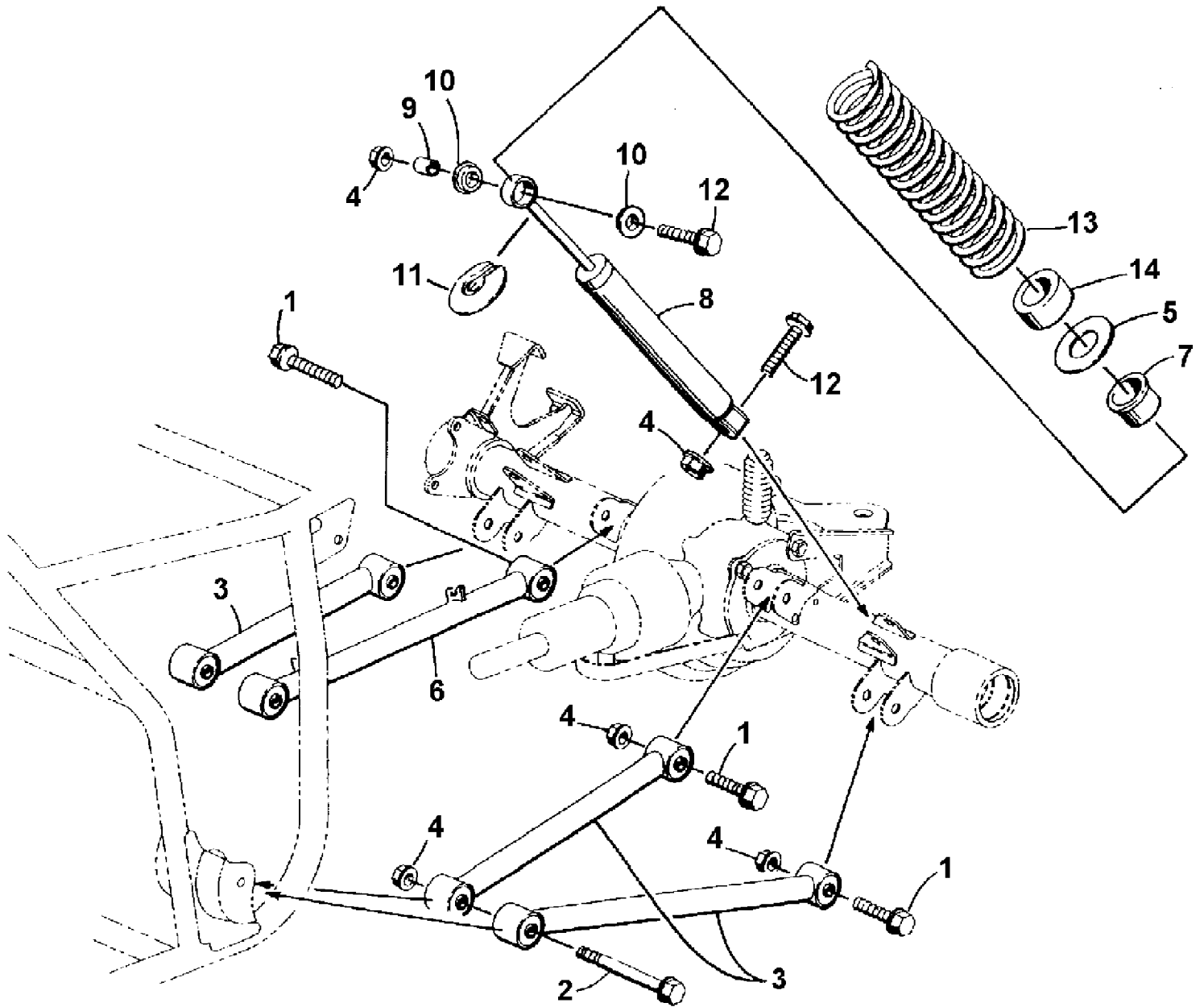


2001 500 CC AUTOMATIC TRANSMISSION (GREEN) (A2001ATM4BUSG) Page 54 of 90
 OIL FILTER/PUMP ASSEMBLY

| Ref # | Part Number | Qty | S/P/F | Description |
|-------|-------------|-----|-------|------------------------------|
| 1 | 3402-462 | 1 | | Pump, Oil |
| 2 | 3402-463 | 1 | | Gear, Driven |
| 3 | 3423-046 | 1 | | Pin |
| 4 | 3423-115 | 1 | | Washer |
| 5 | 3423-184 | 1 | S | Circlip |
| 6 | 3423-113 | 3 | S/P | Screw |
| 7 | 3402-156 | 1 | | Strainer, Oil |
| 8 | 0693-389 | 2 | S | Screw |
| 9 | 3402-157 | 1 | | Cap, Oil Strainer |
| 10 | 3423-077 | 1 | | O-Ring |
| 11 | 3004-756 | 4 | S | Screw, Cap |
| 12 | 0436-146 | 1 | S | Filter, Oil |
| 13 | 3402-036 | 1 | S | Plug, Drain |
| 14 | 3402-012 | 1 | | Gasket, Drain Plug |
| 15 | 3402-154 | 1 | | Valve, Oil Relief - Assembly |
| 16 | 3402-158 | 1 | S | Union, Oil Filter |

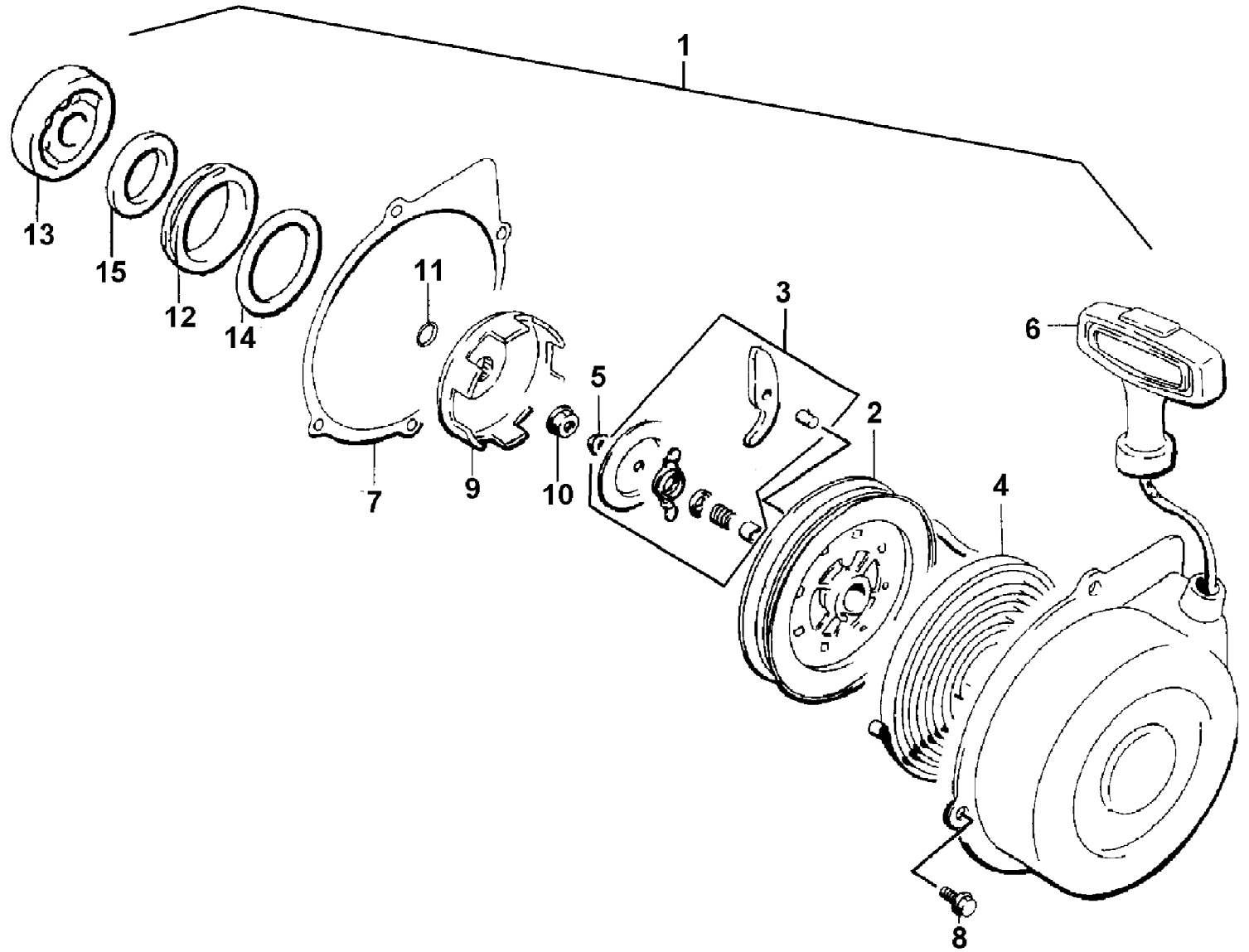
2001 500 CC AUTOMATIC TRANSMISSION (GREEN) (A2001ATM4BUSG) Page 56 of 90
REAR AXLE ASSEMBLY

| Ref # | Part Number | Qty | S/P/F | Description |
|-------|-------------|-----|-------|--|
| 1 | 0502-108 | 1 | | Gear Case Assembly |
| 2 | 0506-300 | 1 | | Hitch, Trailer |
| 3 | 0406-415 | 1 | | Panel, Gear Case - Right |
| 4 | 0402-352 | 1 | | Slinger, Rear Drive - Right |
| 5 | 0402-323 | 1 | | Seal, Rear Drive Slinger |
| 6 | 0423-119 | 2 | | O-Ring |
| 7 | 0423-101 | 1 | | Screw, Body |
| 8 | 0502-090 | 1 | | Housing, Axle - Right |
| 9 | 0502-091 | 1 | | Housing, Axle - Left |
| 10 | 0402-374 | 2 | | Gasket, Axle Housing |
| 11 | 0402-482 | 1 | S | Disc, Brake |
| 12 | 0502-112 | 1 | S/P | Axle Assembly - Right |
| 13 | 0502-113 | 1 | S/P | Axle Assembly - Left |
| 14 | 0402-348 | 2 | | Seal |
| 15 | 0402-347 | 2 | | Ring, Retaining |
| 16 | 0402-339 | 4 | | Bearing |
| 17 | 0502-097 | 1 | S | Housing, Bearing - Left |
| 18 | 0502-138 | 1 | | Housing, Bearing - Right |
| 19 | 0402-351 | 2 | | Ring, Retaining |
| 20 | 0402-147 | 1 | S | Bladder, Rear Drive Case |
| 21 | 0423-315 | 1 | | Clamp, Double Wire |
| 22 | 0402-333 | 1 | /P | Plug, Fill |
| 23 | 0423-154 | 1 | | O-Ring, Fill Plug |
| 24 | 0402-334 | 1 | | Plug, Drain |
| 25 | 0423-153 | 2 | | O-Ring, Drain Plug |
| 26 | 0402-450 | 1 | S | Plug, Drain - Magnetic |
| 27 | 8477-616 | 2 | | Screw, Machine |
| 28 | 0423-031 | 2 | | Nut, Speed |
| 29 | 8409-025 | 8 | | Screw, Cap |
| 30 | 0423-117 | 4 | | Screw, Self-Tapping |
| 31 | 0423-116 | 4 | | Screw, Self-Tapping |
| 32 | 0502-140 | 1 | | Retainer, Axle - Assembly - Right (inc. 11-12, 14-16, and 18-19) |
| 33 | 0502-107 | 1 | /P | Retainer, Axle - Assembly - Left (inc. 13-17 and 19) |



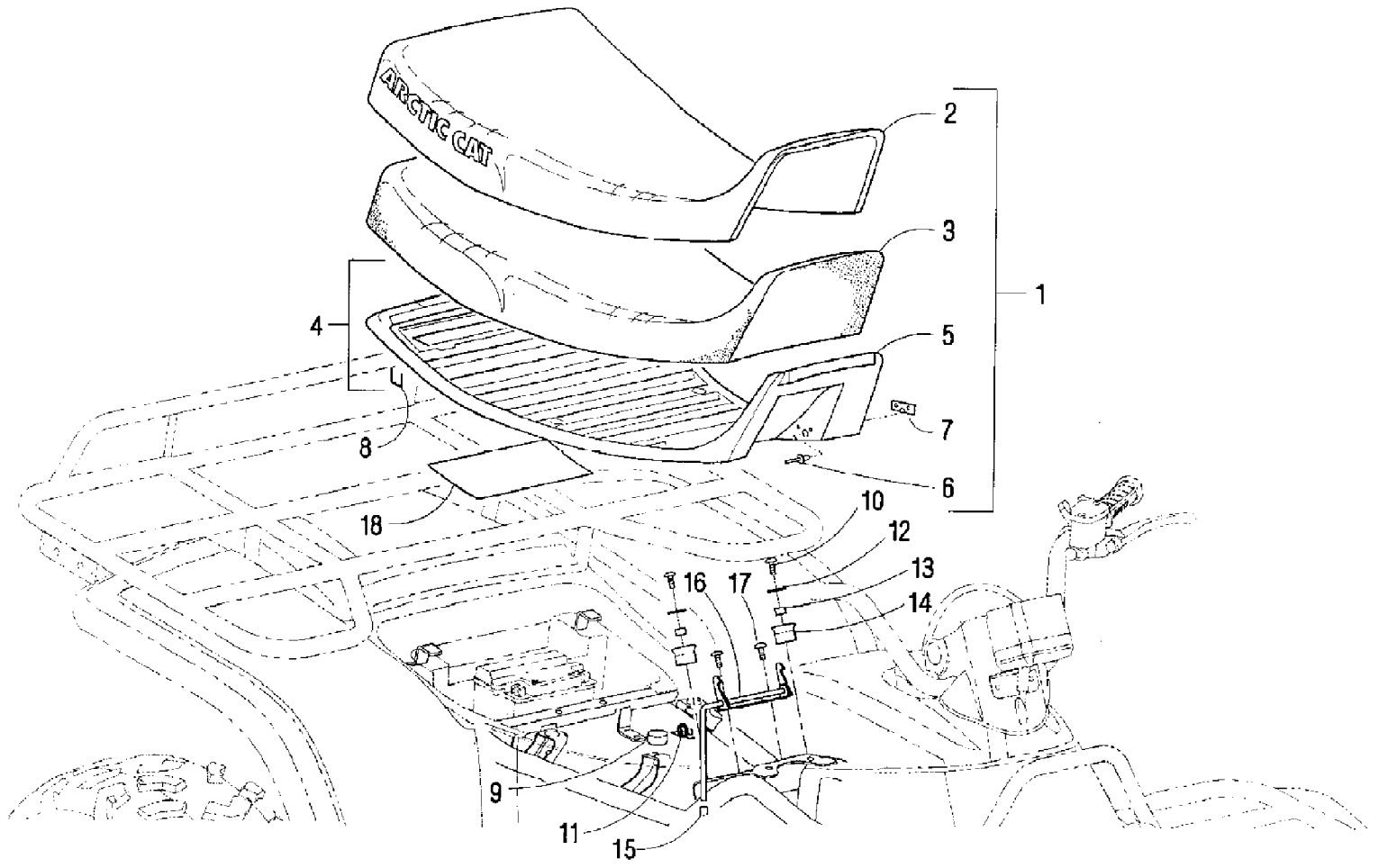
2001 500 CC AUTOMATIC TRANSMISSION (GREEN) (A2001ATM4BUSG) Page 58 of 90
REAR SUSPENSION ASSEMBLY

| Ref # | Part Number | Qty | S/P/F | Description |
|-------|-------------|-----|-------|-----------------------------------|
| 1 | 8409-060 | 4 | | Screw, Cap |
| 2 | 8409-000 | 2 | | Screw, Cap |
| 3 | 0504-001 | 3 | | Arm, Swing |
| 4 | 8428-002 | 8 | | Nut, Lock |
| 5 | 0403-013 | 2 | | Washer, Spring Adjustment |
| 6 | 0504-040 | 1 | | Arm, Swing |
| 7 | 0403-027 | 2 | | Retainer, Spring - Lower |
| 8 | 0404-001 | 2 | | Shock Absorber - Rear (inc. 9-10) |
| 9 | 0403-028 | 4 | | Sleeve, Shock |
| 10 | 0604-310 | 8 | | Bushing, Shock Absorber |
| 11 | 0603-033 | 2 | S | Retainer, Spring |
| 12 | 8409-040 | 4 | | Screw, Cap |
| 13 | 0404-006 | 2 | /P | Spring, Shock Absorber |
| 14 | 0403-025 | 2 | /P | Collar, Spring |



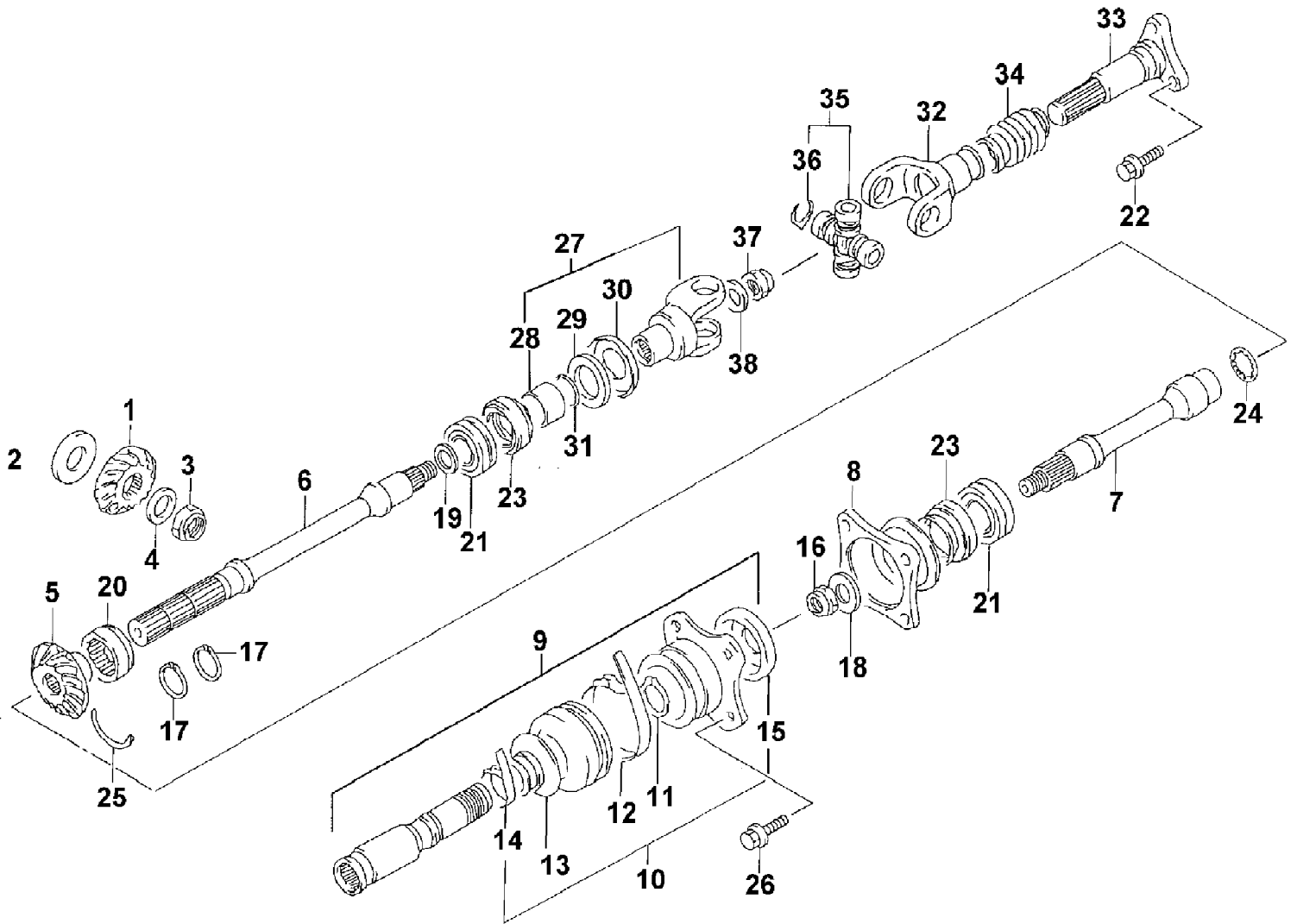
2001 500 CC AUTOMATIC TRANSMISSION (GREEN) (A2001ATM4BUSG) Page 60 of 90
RECOIL STARTER ASSEMBLY

| Ref # | Part Number | Qty | S/P/F | Description |
|-------|-------------|-----|-------|---------------------------------------|
| 1 | 3445-003 | 1 | | Starter, Recoil - Assembly (inc. 2-6) |
| 2 | 3445-004 | 1 | | Reel |
| 3 | 3445-016 | 1 | | Ratchet Assembly |
| 4 | 3445-007 | 1 | | Spring, Spiral |
| 5 | 3004-488 | 1 | S/P | Nut |
| 6 | 3445-011 | 1 | | Rope Assembly |
| 7 | 3445-013 | 1 | /P | Gasket |
| 8 | 3423-112 | 4 | S | Screw, Cap |
| 9 | 3445-027 | 1 | S | Cup, Starter |
| 10 | 3004-491 | 1 | S/P | Nut |
| 11 | 3423-053 | 1 | /P | O-Ring |
| 12 | 3402-119 | 1 | S | Spacer |
| 13 | 3402-051 | 1 | | Bearing |
| 14 | 3423-063 | 1 | | O-Ring |
| 15 | 3402-070 | 1 | | Seal, Oil |

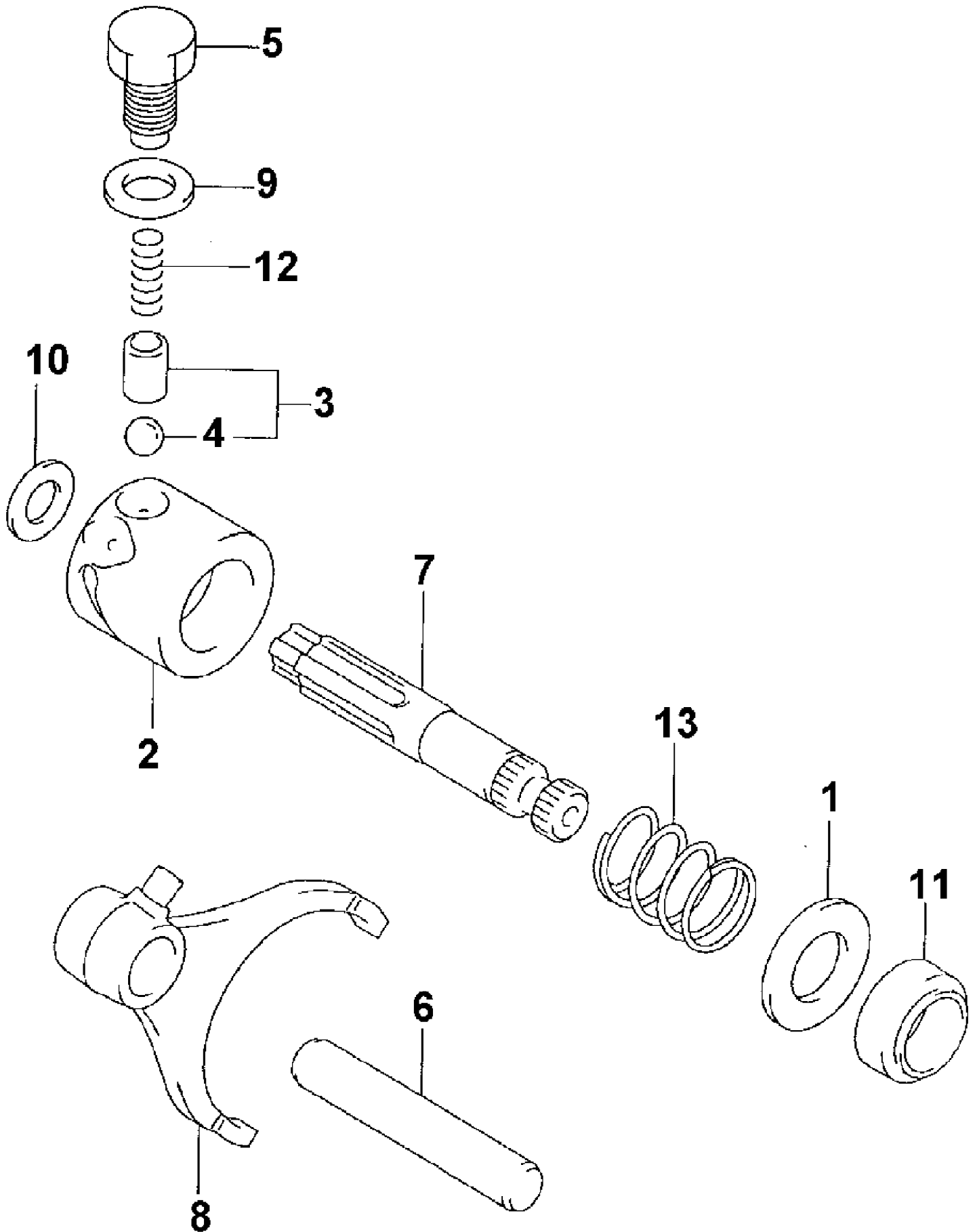


2001 500 CC AUTOMATIC TRANSMISSION (GREEN) (A2001ATM4BUSG) Page 62 of 90
SEAT ASSEMBLY

| Ref # | Part Number | Qty | S/P/F | Description |
|-------|-------------|-----|-------|--------------------------------|
| 1 | 5990-176 | 1 | /P | Seat Assembly (inc. 2-8) |
| 2 | 0506-290 | 1 | | Cover, Seat |
| 3 | 0506-291 | 1 | | Foam, Seat |
| 4 | 0506-223 | 1 | /P | Base, Seat Assembly (inc. 5-7) |
| 5 | 0 | 1 | F | Base, Seat |
| 6 | 8061-628 | 4 | | Rivet |
| 7 | 0506-147 | 2 | S | Pin, Seat Base - Front |
| 8 | 0624-100 | AR | | Staple |
| 9 | 0406-309 | 2 | | Grommet, Seat - Center |
| 10 | 8476-620 | 2 | | Screw, Cap |
| 11 | 0406-235 | 1 | | Spring, Seat Latch |
| 12 | 8050-217 | 2 | /P | Washer |
| 13 | 0406-199 | 2 | | Collar, Front Seat Base |
| 14 | 0406-171 | 2 | | Bumper, Seat Base - Front |
| 15 | 0623-404 | 1 | | Cap, Protector |
| 16 | 0406-490 | 1 | | Latch, Seat - Assembly |
| 17 | 8477-616 | 2 | | Screw, Machine |
| 18 | 0411-182 | 1 | | Decal, Cold Start |

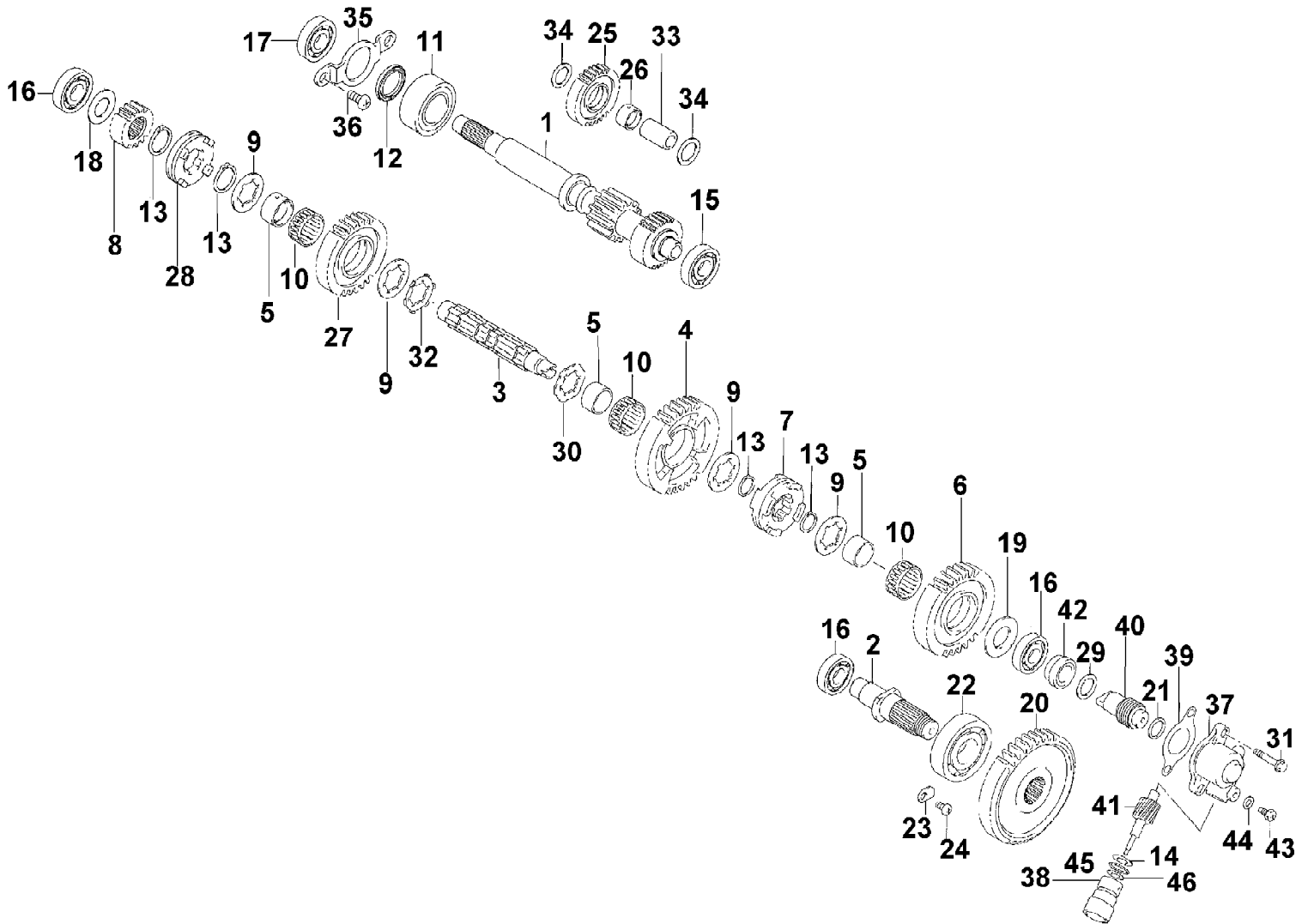


| Ref # | Part Number | Qty | S/P/F | Description |
|-------|-------------|-----|-------|--|
| 1 | 3402-510 | 1 | S | Gear, Secondary Drive |
| 2 | 3446-035 | 1 | | Shim, Secondary Drive Gear - Set |
| 3 | 3423-023 | 1 | | Nut |
| 4 | 3005-372 | 1 | | Washer |
| 5 | 3402-511 | 1 | S | Gear, Secondary Driven |
| 6 | 3402-512 | 1 | | Shaft, Secondary Driven - Front |
| 7 | 3402-513 | 1 | | Shaft, Secondary Driven - Rear |
| 8 | 3402-514 | 1 | /P | Flange, Output Joint - Rear |
| 9 | 3435-010 | 1 | | Joint, Rear Output - Assembly (inc. 10-15) |
| 10 | 3435-066 | 1 | | Boot, Joint - Set (inc. 11-15) |
| 11 | 3423-210 | 1 | | Ring, Snap |
| 12 | 3423-211 | 1 | | Band |
| 13 | 3435-067 | 1 | | Boot |
| 14 | 3423-212 | 1 | | Band |
| 15 | 3423-356 | 1 | | Seal, Plate |
| 16 | 3423-025 | 1 | | Nut, Rear Output Joint |
| 17 | 3423-340 | 2 | S | Circlip, Secondary Driven Gear |
| 18 | 3423-028 | 1 | | Washer, Rear Output Flange |
| 19 | 3402-017 | AR | | Shim, 25 x 34 x 0.60 mm |
| 19 | 3402-018 | AR | | Shim, 25 x 34 x 0.65 mm |
| 19 | 3402-019 | AR | | Shim, 25 x 34 x 0.70 mm |
| 19 | 3402-020 | AR | | Shim, 25 x 34 x 0.75 mm |
| 19 | 3402-021 | AR | S | Shim, 25 x 34 x 0.80 mm |
| 19 | 3402-022 | AR | | Shim, 25 x 34 x 0.85 mm |
| 19 | 3402-023 | AR | | Shim, 25 x 34 x 0.90 mm |
| 19 | 3402-024 | AR | | Shim, 25 x 34 x 0.95 mm |
| 19 | 3402-025 | AR | S | Shim, 25 x 34 x 1.00 mm |
| 19 | 3402-028 | AR | | Shim, 25 x 34 x 1.05 mm |
| 19 | 3402-029 | AR | | Shim, 25 x 34 x 1.10 mm |
| 19 | 3402-030 | AR | | Shim, 25 x 34 x 1.15 mm |
| 19 | 3402-031 | AR | | Shim, 25 x 34 x 1.20 mm |
| 20 | 3402-515 | 1 | /P | Bearing, Driven Gear |
| 21 | 3402-067 | 2 | S | Bearing, Driven Shaft |
| 22 | 8409-020 | 3 | /P | Bolt, Propeller Shaft |
| 23 | 3402-072 | 2 | | Seal, Oil - Driven Shaft |
| 24 | 3423-415 | 1 | | Washer, Driven Shaft |
| 25 | 3423-072 | 1 | | Ring, Driven Bearing |
| 26 | 8408-820 | 4 | /P | Bolt, Output Joint - Rear |
| 27 | 3435-090 | 1 | /P | Yoke, Drive Output - Front (inc. 28-31) |
| 28 | 3435-029 | 1 | | Collar, Yoke |
| 29 | 3435-030 | 1 | | Plate, Yoke Collar |
| 30 | 3423-035 | 1 | | Plate, Yoke Collar |
| 31 | 3423-060 | 1 | | O-Ring, Yoke Collar |
| 32 | 3402-516 | 1 | | Yoke, Propeller Shaft Joint |
| 33 | 0502-161 | 1 | | Shaft, Propeller |
| 34 | 3402-518 | 1 | S | Boot, Propeller Shaft |
| 35 | 3435-011 | 1 | | Joint, Universal - Set (inc. 36) |
| 36 | 3423-067 | 4 | | Circlip, Universal Joint |
| 37 | 3423-025 | 1 | | Nut, Yoke - Front |
| 38 | 3423-028 | 1 | | Washer, Yoke - Front |

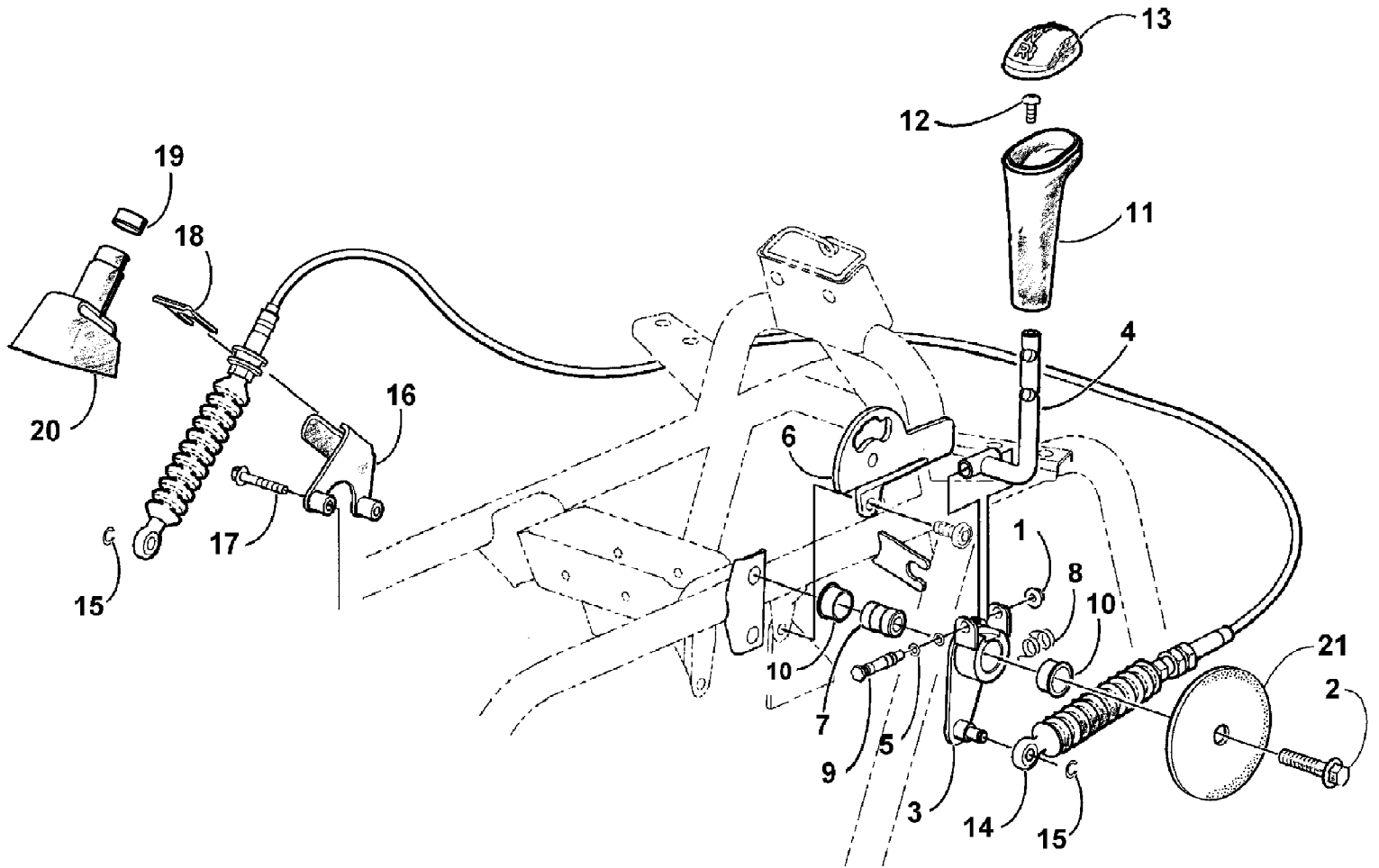


2001 500 CC AUTOMATIC TRANSMISSION (GREEN) (A2001ATM4BUSG) Page 66 of 90
SECONDARY GEAR SHIFT ASSEMBLY

| Ref # | Part Number | Qty | S/P/F | Description |
|-------|-------------|-----|-------|-----------------------|
| 1 | 3423-339 | 1 | | Washer, Cam - Left |
| 2 | 3446-203 | 1 | | Cam, Select |
| 3 | 3446-119 | 1 | /P | Stopper, Cam (inc. 4) |
| 4 | 3446-118 | 1 | | Ball, Steel |
| 5 | 3446-046 | 1 | | Housing, Cam Stopper |
| 6 | 3446-202 | 1 | | Shaft, Shift Fork |
| 7 | 3446-204 | 1 | | Camshaft |
| 8 | 3446-205 | 1 | | Fork, Shift |
| 9 | 3402-012 | 1 | | Gasket, Cam Stopper |
| 10 | 3423-300 | 1 | | Washer, Cam |
| 11 | 3402-076 | 1 | | Seal, Oil - Cam |
| 12 | 3402-089 | 1 | | Spring, Cam Stopper |
| 13 | 3402-311 | 1 | | Spring, Cam |

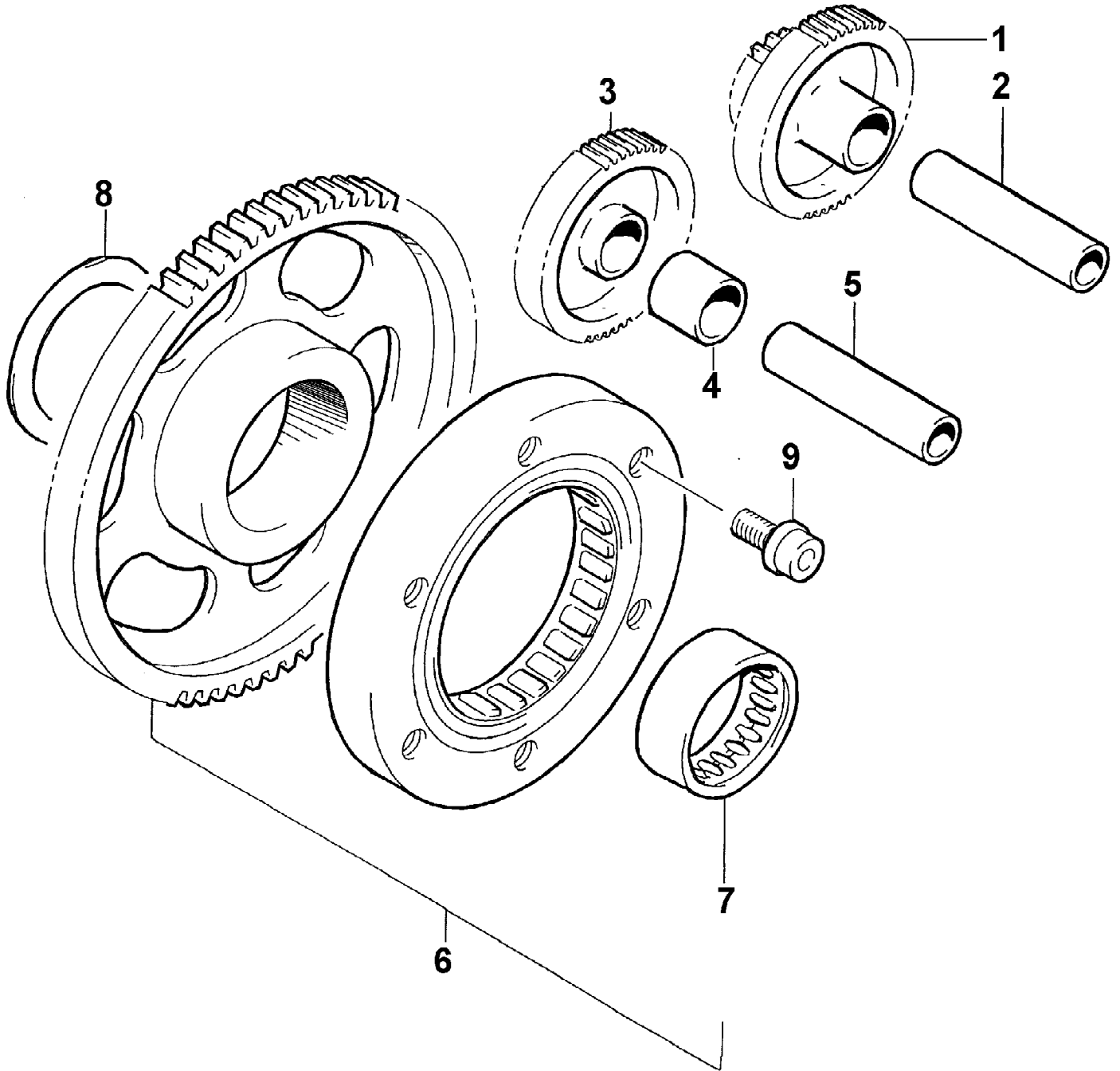


| Ref # | Part Number | Qty | S/P/F | Description |
|-------|-------------|-----|-------|------------------------------|
| 1 | 3402-524 | 1 | | Driveshaft |
| 2 | 3402-491 | 1 | | Shaft, Output |
| 3 | 3402-492 | 1 | | Countershaft |
| 4 | 3402-493 | 1 | S | Gear, Driven - Low |
| 5 | 3402-494 | 3 | | Bushing |
| 6 | 3402-495 | 1 | | Gear, Driven - High |
| 7 | 3402-496 | 1 | | Dog, Sliding |
| 8 | 3402-497 | 1 | | Gear, Drive - No. 2 |
| 9 | 3423-263 | 4 | | Washer |
| 10 | 3402-498 | 3 | | Bearing |
| 11 | 3402-499 | 1 | | Bearing, Driveshaft |
| 12 | 3402-500 | 1 | S | Seal, Driveshaft |
| 13 | 3423-066 | 4 | /P | Circlip |
| 14 | 3423-144 | 1 | | Washer, Driven Gear |
| 15 | 3003-261 | 1 | /P | Bearing, Driveshaft - Left |
| 16 | 3402-045 | 3 | /P | Bearing, Shaft |
| 17 | 3402-490 | 1 | | Bearing, Driveshaft |
| 18 | 3423-411 | 1 | | Washer, Drive Gear - Right |
| 19 | 3423-412 | 1 | | Washer, Drive Gear |
| 20 | 3402-501 | 1 | S | Gear, Driven - No. 2 |
| 21 | 3423-145 | 1 | | Washer, Drive Gear |
| 22 | 3402-502 | 1 | | Bearing, Output Shaft |
| 23 | 3446-031 | 2 | /P | Retainer, Bearing |
| 24 | 3004-552 | 2 | S | Screw, Bearing Retainer |
| 25 | 3402-503 | 1 | | Gear, Reverse Idle |
| 26 | 3402-504 | 1 | | Bushing, Reverse Idle Gear |
| 27 | 3402-505 | 1 | | Gear, Reverse Driven |
| 28 | 3402-506 | 1 | | Dog, Reverse Gear |
| 29 | 3423-146 | 1 | | Washer, Drive Gear - Right |
| 30 | 3423-262 | 1 | | Washer, Lock |
| 31 | 3423-346 | 2 | S | Bolt, Gear Sleeve |
| 32 | 3423-266 | 1 | | Washer, Lock |
| 33 | 3402-507 | 1 | | Shaft, Reverse Idle |
| 34 | 3402-195 | 2 | | Washer, Reverse Idle Gear |
| 35 | 3423-410 | 1 | | Retainer, Driveshaft Bearing |
| 36 | 3423-018 | 2 | | Screw, Bearing Retainer |
| 37 | 3446-057 | 1 | | Housing, Speedometer Gear |
| 38 | 3446-058 | 1 | | Sleeve |
| 39 | 3446-244 | 1 | /P | Gasket |
| 40 | 3402-508 | 1 | | Gear, Drive |
| 41 | 3402-509 | 1 | | Gear, Driven |
| 42 | 3446-114 | 1 | /P | Spacer, Driven Gear |
| 43 | 3423-143 | 1 | S | Bolt, Gear |
| 44 | 3402-009 | 1 | /P | Washer, Driven |
| 45 | 3423-056 | 1 | | O-Ring |
| 46 | 3402-077 | 1 | | Seal, Driven Gear |



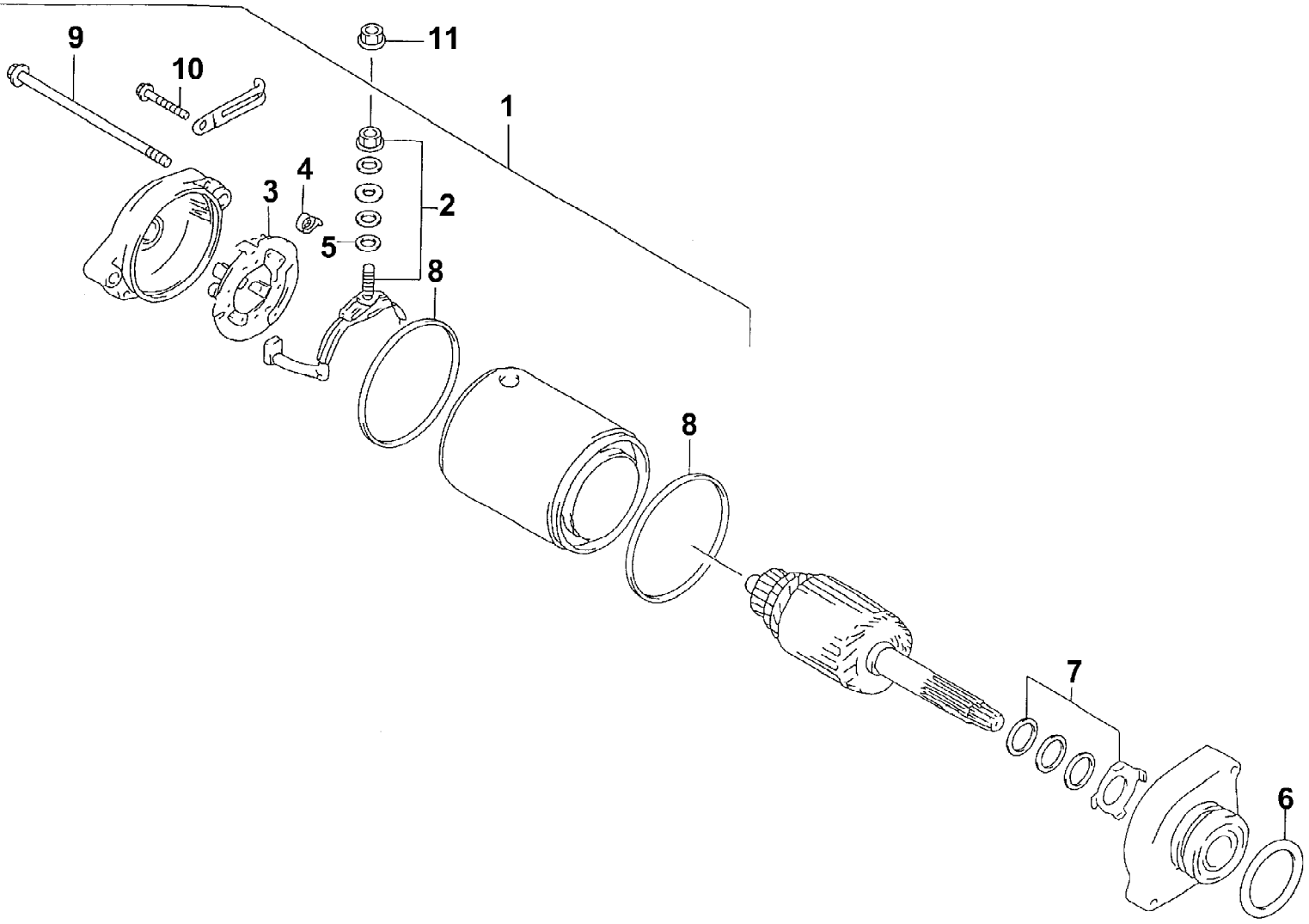
2001 500 CC AUTOMATIC TRANSMISSION (GREEN) (A2001ATM4BUSG) Page 70 of 90
 SHIFT LEVER ASSEMBLY

| Ref # | Part Number | Qty | S/P/F | Description |
|-------|-------------|-----|-------|-------------------------|
| 1 | 8424-602 | 1 | /P | Nut, Flex |
| 2 | 8409-045 | 1 | | Screw, Cap |
| 3 | 0502-202 | 1 | | Hub, Shift Lever |
| 4 | 0502-158 | 1 | | Lever, Shift |
| 5 | 0423-182 | 2 | /P | O-Ring |
| 6 | 0402-747 | 1 | | Plate, Shift |
| 7 | 0402-571 | 1 | | Axle, Shift Lever Hub |
| 8 | 0402-742 | 1 | | Spring |
| 9 | 0402-741 | 1 | | Axle, Shift Lever Pivot |
| 10 | 0402-513 | 2 | | Bushing, Flange |
| 11 | 0402-508 | 1 | | Handle, Shift |
| 12 | 8477-610 | 1 | | Screw, Machine |
| 13 | 0402-781 | 1 | | Cap, Shift Handle |
| 14 | 0487-020 | 1 | | Cable, Shift |
| 15 | 0423-169 | 2 | /P | E-Ring |
| 16 | 0502-152 | 1 | | Bracket, Shift Cable |
| 17 | 0423-164 | 2 | | Screw, Machine |
| 18 | 3423-282 | 1 | | Clip, Shift Cable |
| 19 | 0624-379 | 1 | | Clamp |
| 20 | 0406-539 | 1 | | Cover, Shift Cable |
| 21 | 0402-816 | 1 | | Cover, Shift Lever |



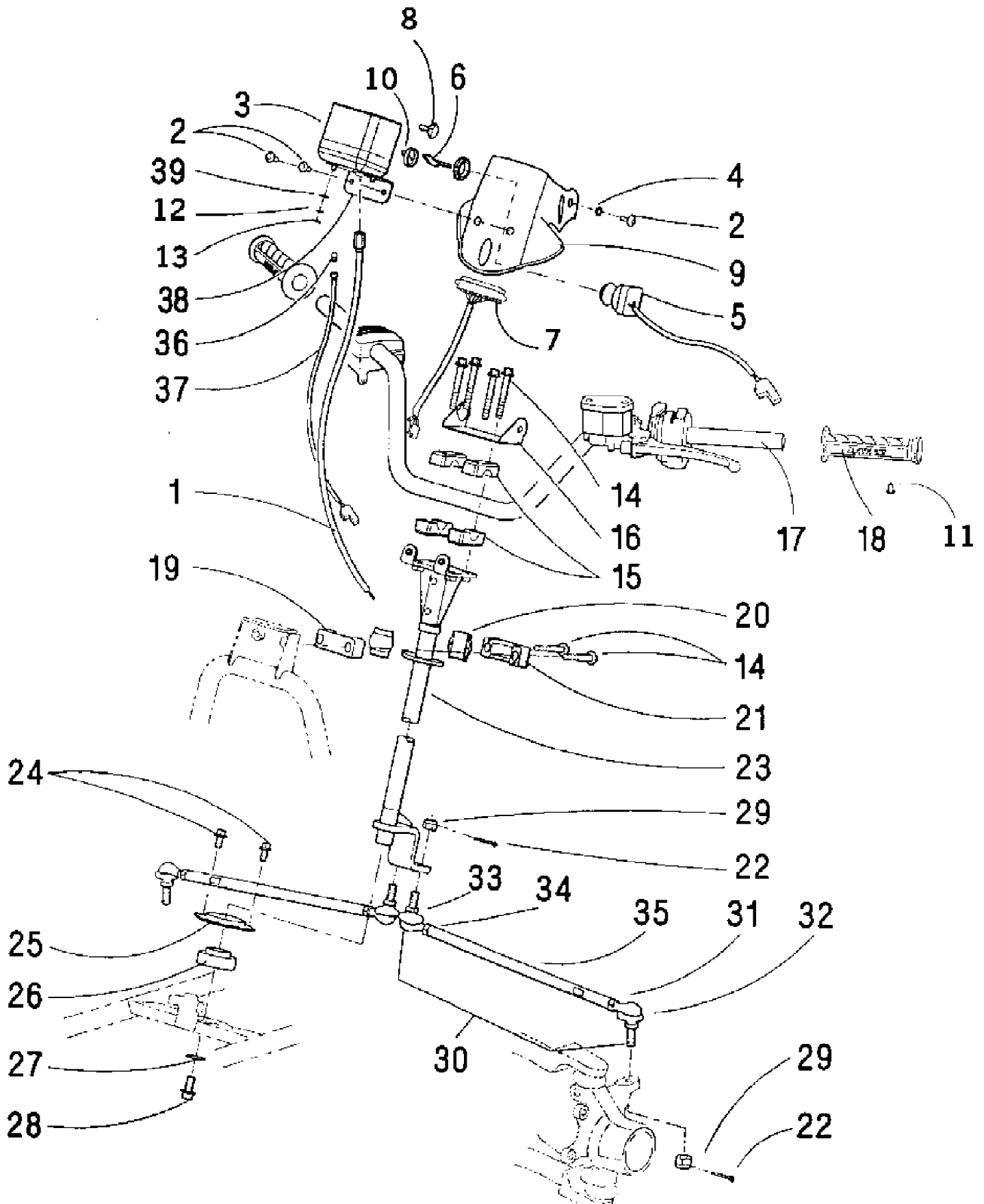
2001 500 CC AUTOMATIC TRANSMISSION (GREEN) (A2001ATM4BUSG) Page 72 of 90
STARTER CLUTCH ASSEMBLY

| Ref # | Part Number | Qty | S/P/F | Description |
|-------|-------------|-----|-------|----------------------------------|
| 1 | 3402-523 | 1 | S | Gear, Starter Idler - No. 1 |
| 2 | 3423-331 | 1 | | Pin |
| 3 | 3402-349 | 1 | | Gear, Starter Idler - No. 2 |
| 4 | 3423-396 | 1 | | Spacer, Starter Idler Gear No. 2 |
| 5 | 3423-397 | 1 | | Pin |
| 6 | 3402-457 | 1 | | Clutch, Starter - Set (inc. 7) |
| 7 | 3402-063 | 1 | | Bearing |
| 8 | 3423-104 | 1 | | Washer |
| 9 | 3423-102 | 6 | S | Bolt |

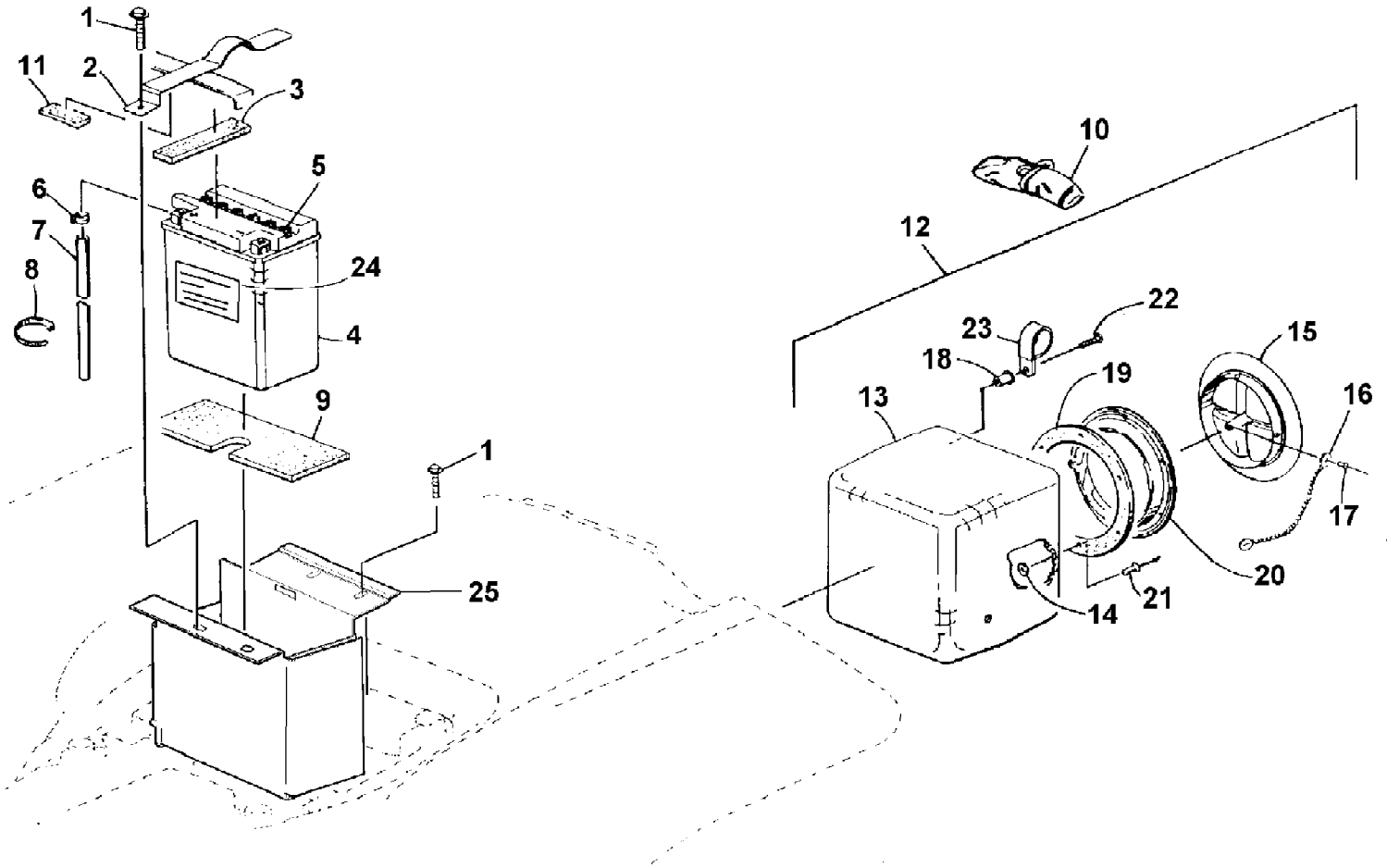


2001 500 CC AUTOMATIC TRANSMISSION (GREEN) (A2001ATM4BUSG) Page 74 of 90
STARTER MOTOR ASSEMBLY

| Ref # | Part Number | Qty | S/P/F | Description |
|-------|-------------|-----|-------|------------------------------------|
| 1 | 3545-015 | 1 | S | Motor, Starter Assembly (inc. 2-9) |
| 2 | 3008-094 | 1 | /P | Terminal Set, Brush |
| 3 | 3008-095 | 1 | /P | Holder Set, Brush |
| 4 | 3008-096 | 4 | | Spring, Brush |
| 5 | 3008-164 | 1 | | O-Ring |
| 6 | 3423-084 | 1 | | O-Ring |
| 7 | 3436-001 | 1 | | Washer Set |
| 8 | 3008-553 | 2 | /P | O-Ring |
| 9 | 3423-085 | 2 | | Bolt |
| 10 | 3423-162 | 2 | S | Bolt |
| 11 | 3423-195 | 1 | /P | Nut |

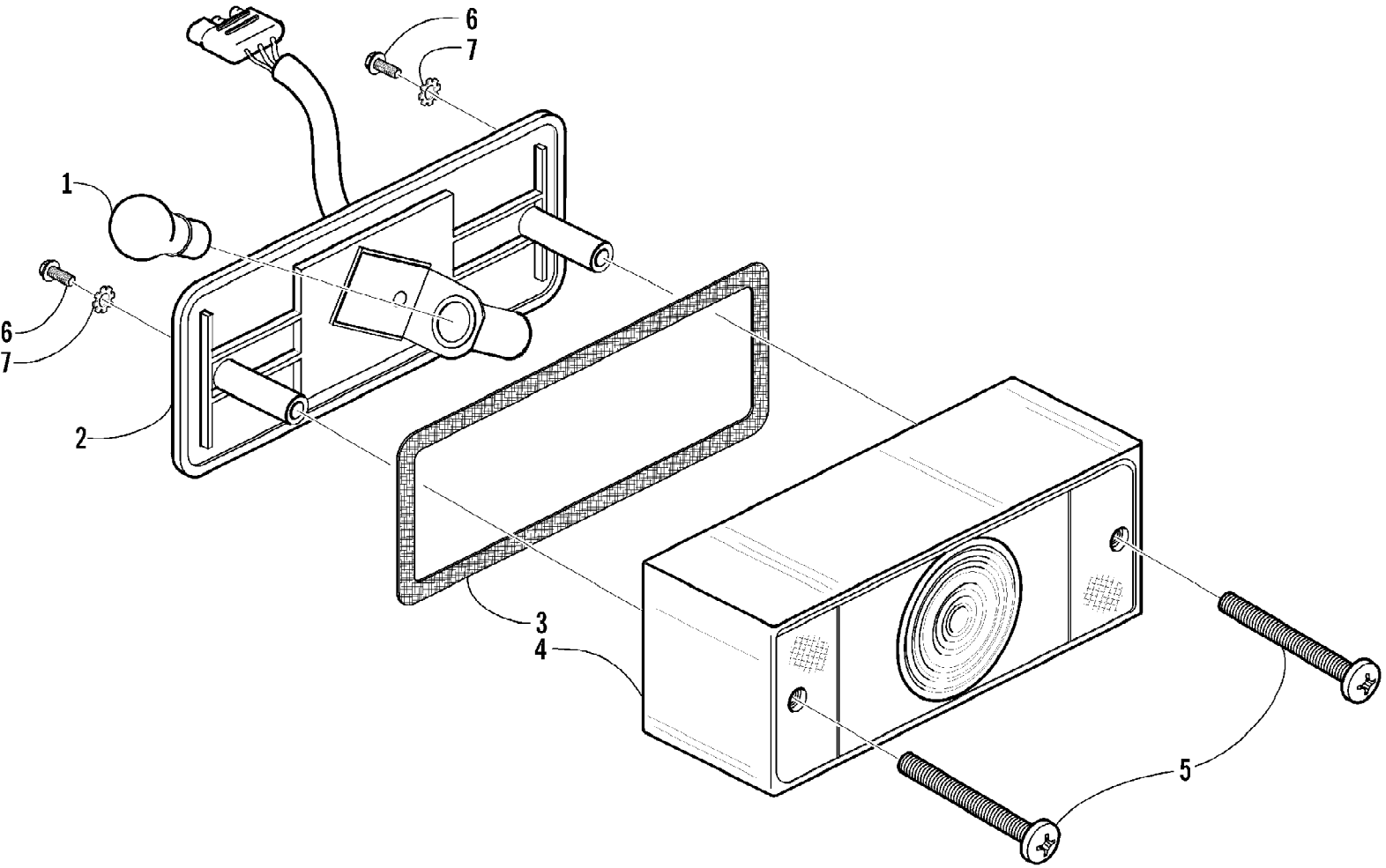


| Ref # | Part Number | Qty | S/P/F | Description |
|-------|-------------|-----|-------|--|
| 1 | 0487-005 | 1 | | Cable, Speedometer |
| 2 | 8477-616 | 3 | | Screw, Machine |
| 3 | 0420-031 | 1 | /P | Speedometer (inc. 8, 12-13, and 36-41) |
| 4 | 0423-052 | 1 | | Collar, Body |
| 5 | 3430-040 | 1 | | Switch, Ignition - Assembly (inc. 6) |
| 6 | 3409-007 | 1 | /P | Key, Ignition - Blank (C Series) |
| 6 | 3409-011 | 1 | | Key, Ignition - Blank (D Series) |
| 6 | 3409-012 | 1 | | Key, Ignition - Blank (E Series) |
| 6 | 3409-013 | 1 | | Key, Ignition - Blank (F Series) |
| 7 | 0420-029 | 1 | S | Panel, Instrument |
| 8 | 0420-027 | 1 | | Knob, Speedometer Trip |
| 9 | 0405-063 | 1 | | Instrument Pod |
| 10 | 0409-013 | 1 | | Cover, Key |
| 11 | 8060-428 | 2 | | Rivet |
| 12 | 0420-017 | 2 | | Washer |
| 13 | 0420-015 | 2 | | Pin, Retainer |
| 14 | 8408-860 | 6 | | Screw, Cap |
| 15 | 0405-035 | 4 | | Cap, Steering Adjuster |
| 16 | 0506-348 | 1 | /P | Bracket, Ignition Switch |
| 17 | 0505-028 | 1 | S | Tube, Handlebar |
| 18 | 0405-039 | 2 | /P | Grip, Handlebar |
| 19 | 0605-171 | 1 | | Housing, Bearing - Lower |
| 20 | 0405-020 | 2 | | Bearing, Steering Post |
| 21 | 0605-147 | 1 | S | Housing, Bearing - Upper |
| 22 | 0423-151 | 4 | | Clip, Hairpin |
| 23 | 0505-073 | 1 | S | Post, Steering |
| 24 | 8408-816 | 2 | | Screw, Cap |
| 25 | 0602-233 | 1 | | Flange, Bearing |
| 26 | 0405-052 | 1 | | Bearing w/Inverted Oil Seal |
| 27 | 0423-073 | 1 | | Washer |
| 28 | 8409-020 | 1 | /P | Screw, Cap |
| 29 | 0423-157 | 4 | | Nut, Top Lock |
| 30 | 0505-072 | 2 | /P | Tie Rod Assembly (inc. 31-35) |
| 31 | 8420-002 | 2 | /P | Nut - Right |
| 32 | 0405-082 | 2 | S | Ball Joint, Tie Rod - Right |
| 33 | 0405-083 | 2 | S | Ball Joint, Tie Rod - L eft |
| 34 | 0423-013 | 2 | | Nut - L eft |
| 35 | 0405-032 | 2 | | Tie Rod |
| 36 | 0420-019 | 1 | S | Bulb, Speedometer |
| 37 | 0420-014 | 1 | | Harness, Speedometer |
| 38 | 0420-018 | 1 | | Bracket, Speedometer |
| 39 | 0420-016 | 2 | | Mount, Rubber |



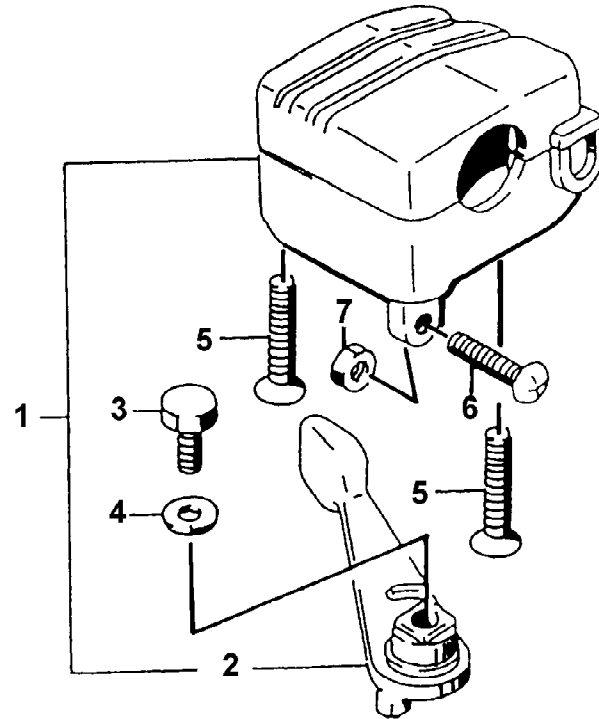
2001 500 CC AUTOMATIC TRANSMISSION (GREEN) (A2001ATM4BUSG) Page 78 of 90
STORAGE BOX AND BATTERY ASSEMBLY

| Ref # | Part Number | Qty | S/P/F | Description |
|-------|-------------|-----|-------|---------------------------------------|
| 1 | 8476-616 | 4 | | Screw, Machine |
| 2 | 0506-399 | 1 | | Strap, Battery w/Pads (inc. 3 and 11) |
| 3 | 0406-289 | 1 | | Pad, Battery - Upper Rear |
| 4 | 0445-005 | 1 | S | Battery Assembly (inc. 5-7) |
| 5 | 0645-045 | 6 | | Cap, Battery |
| 6 | 0645-152 | 1 | | Clamp, Hose |
| 7 | 0645-263 | 1 | /P | Hose, Battery Vent |
| 8 | 0123-788 | 2 | /P | Cable Tie - 7 in. |
| 9 | 0406-556 | 1 | | Pad, Battery - Lower |
| 10 | 0444-079 | 1 | S/P | Kit, Tool |
| 11 | 0406-548 | 1 | | Pad, Battery - Upper Front |
| 12 | 0506-241 | 1 | S | Storage Box - Assembly (inc. 13-21) |
| 13 | 0406-257 | 1 | S | Box, Storage |
| 14 | 8050-152 | 6 | | Washer |
| 15 | 0406-208 | 1 | | Cover, Storage Box |
| 16 | 0773-401 | 1 | | Chain, Cover |
| 17 | 8061-223 | 2 | /P | Rivet |
| 18 | 0123-010 | 4 | /P | Nut, Expansion |
| 19 | 0673-973 | 1 | | Seal, Cover |
| 20 | 0406-205 | 1 | /P | Ring, Mounting - Cover |
| 21 | 8060-630 | 6 | | Rivet |
| 22 | 0123-549 | 4 | /P | Screw, Machine |
| 23 | 0423-044 | 4 | | Clamp, Tube |
| 24 | 0645-151 | 1 | | Decal, Warning - Battery |
| 25 | 0406-537 | 1 | S | Box, Battery |



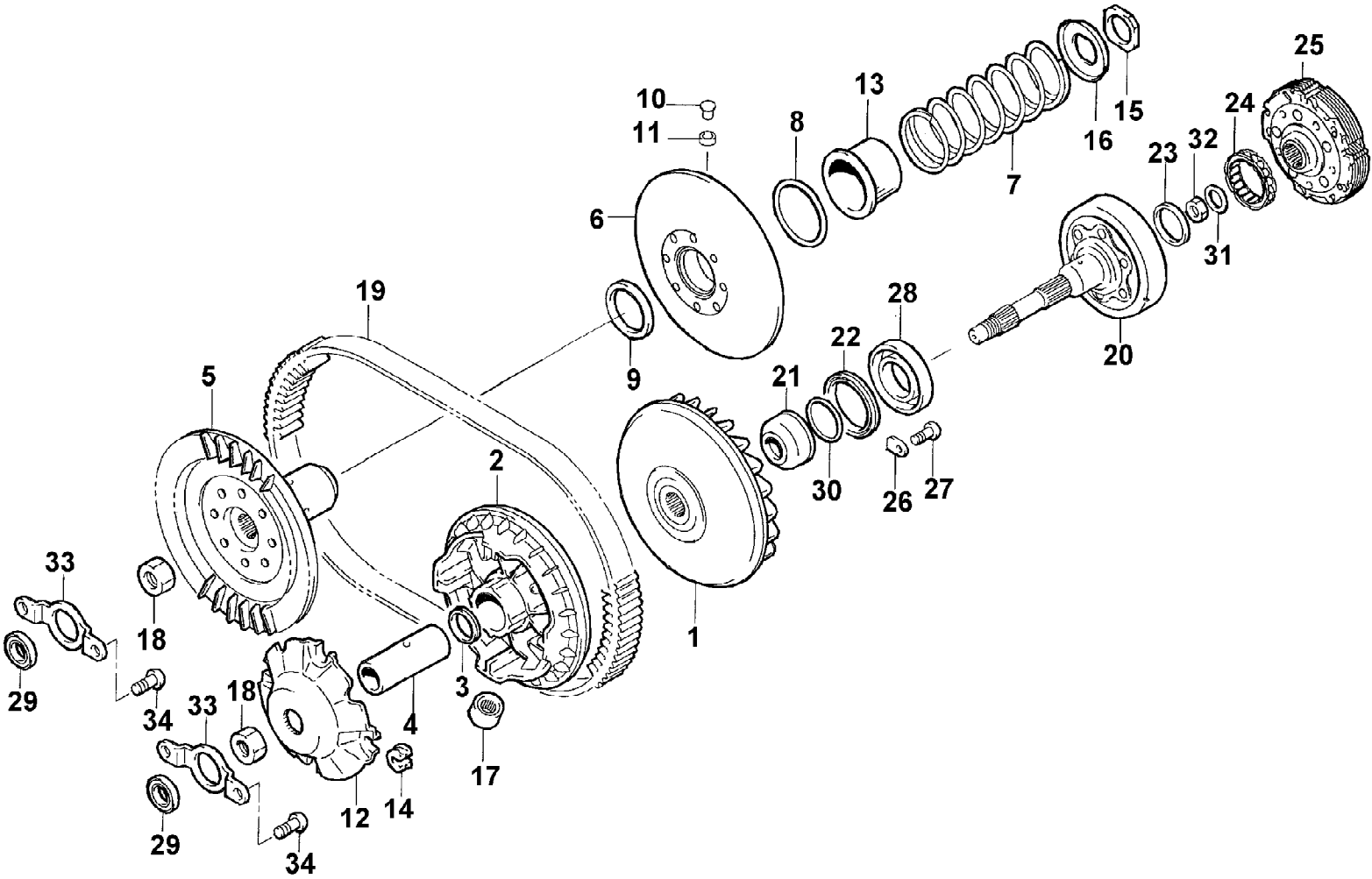
2001 500 CC AUTOMATIC TRANSMISSION (GREEN) (A2001ATM4BUSG) Page 80 of 90
TAILLIGHT ASSEMBLY

| Ref # | Part Number | Qty | S/P/F | Description |
|-------|-------------|-----|-------|-------------------------------|
| | 0409-002 | 1 | | Complete Taillight Assembly |
| 1 | 0109-460 | 1 | /P | Bulb, Stop - Taillight |
| 2 | 0409-011 | 1 | | Taillight w/Socket Assembly |
| 3 | 0409-012 | 1 | | Gasket, Taillight Lens |
| 4 | 0409-007 | 1 | | Lens, Taillight |
| 5 | 0409-010 | 2 | | Screw, Machine |
| 6 | 0623-301 | 2 | /P | Screw, Self-Tapping |
| 7 | 8053-212 | 2 | /P | Washer, Lock - External Tooth |

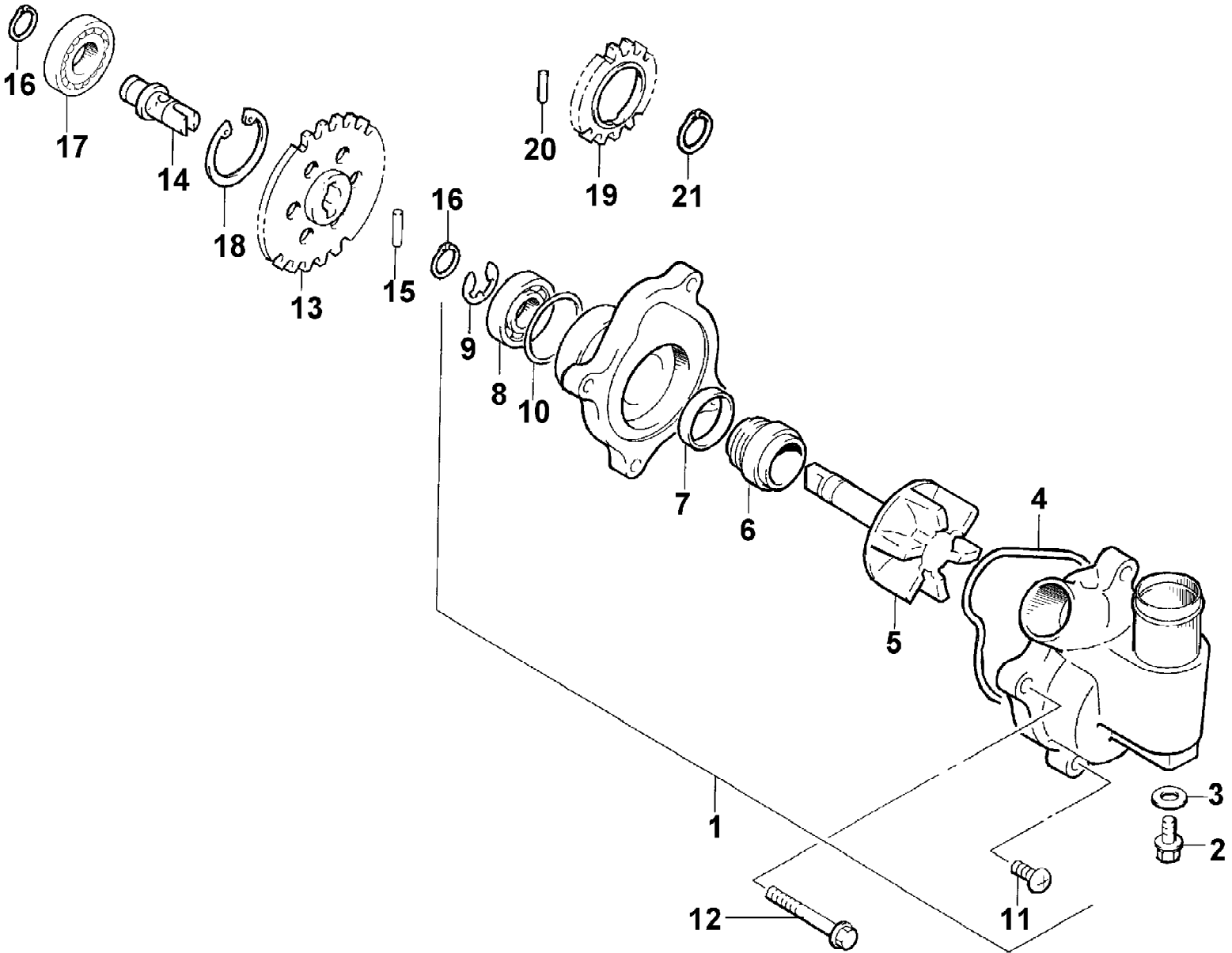


2001 500 CC AUTOMATIC TRANSMISSION (GREEN) (A2001ATM4BUSG) Page 82 of 90
THROTTLE CONTROL ASSEMBLY

| Ref # | Part Number | Qty | S/P/F | Description |
|-------|-------------|-----|-------|---|
| 1 | 3509-003 | 1 | /P | Control, Throttle - Assembly (inc. 2-7) |
| 2 | 3409-001 | 1 | | Lever |
| 3 | 3423-420 | 1 | | Bolt |
| 4 | 0693-490 | 1 | | Washer, Lock |
| 5 | 3423-199 | 2 | | Screw |
| 6 | 3423-014 | 1 | | Screw |
| 7 | 3423-327 | 1 | | Nut |

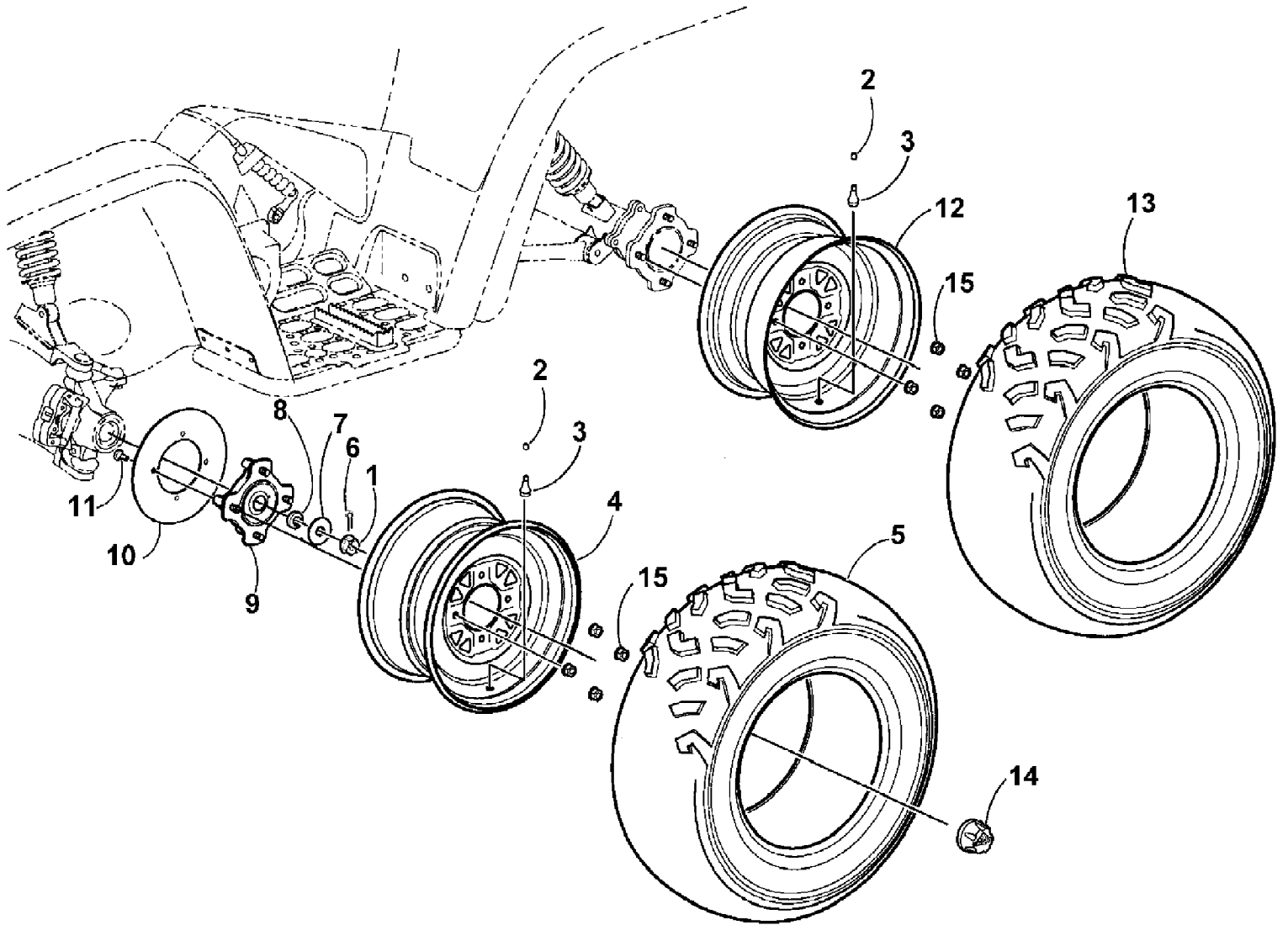


| Ref # | Part Number | Qty | S/P/F | Description |
|-------|-------------|-----|-------|----------------------------|
| 1 | 3402-468 | 1 | | Face, Fixed Drive |
| 2 | 3402-469 | 1 | | Face, Movable Drive |
| 3 | 3402-470 | 2 | | Seal, Movable Drive |
| 4 | 3402-471 | 1 | | Spacer, Movable Drive |
| 5 | 3402-472 | 1 | | Face, Fixed Driven |
| 6 | 3402-473 | 1 | | Face, Movable Driven |
| 7 | 3402-474 | 1 | /P | Spring, Movable Driven |
| 8 | 3402-475 | 2 | | O-Ring, Movable Driven |
| 9 | 3402-476 | 2 | | Seal, Movable Driven |
| 10 | 3402-477 | 4 | | Pin, Movable Driven |
| 11 | 3402-478 | 4 | | Spacer, Movable Driven |
| 12 | 3402-479 | 1 | S | Plate, Movable Drive |
| 13 | 3402-480 | 1 | | Sleeve, Movable Driven |
| 14 | 3402-481 | 4 | | Damper, Movable Drive |
| 15 | 3423-406 | 1 | | Nut, Driven Pulley |
| 16 | 3402-482 | 1 | | Holder, Movable Driven |
| 17 | 3402-483 | 8 | | Roller, Movable Drive |
| 18 | 3423-407 | 2 | | Nut, Face |
| 19 | 3402-484 | 1 | | V-Belt, Drive |
| 20 | 3402-485 | 1 | S | Housing, Clutch |
| 21 | 3402-486 | 1 | S | Spacer, Fixed Drive - Left |
| 22 | 3402-487 | 1 | S | Seal, Clutch Housing |
| 23 | 3402-488 | 1 | | Seal, Clutch Housing |
| 24 | 3446-003 | 1 | | Clutch, One Way |
| 25 | 3446-263 | 1 | | Shoe, Clutch - Assembly |
| 26 | 3446-031 | 2 | /P | Retainer, Bearing |
| 27 | 3004-552 | 2 | S | Screw, Bearing Retainer |
| 28 | 3402-489 | 1 | | Bearing |
| 29 | 3402-490 | 1 | | Bearing |
| 30 | 3423-353 | 1 | /P | O-Ring |
| 31 | 3423-408 | 1 | | Washer |
| 32 | 3423-409 | 1 | | Nut |
| 33 | 3423-410 | 1 | | Retainer, Bearing |
| 34 | 3423-018 | 2 | | Screw |



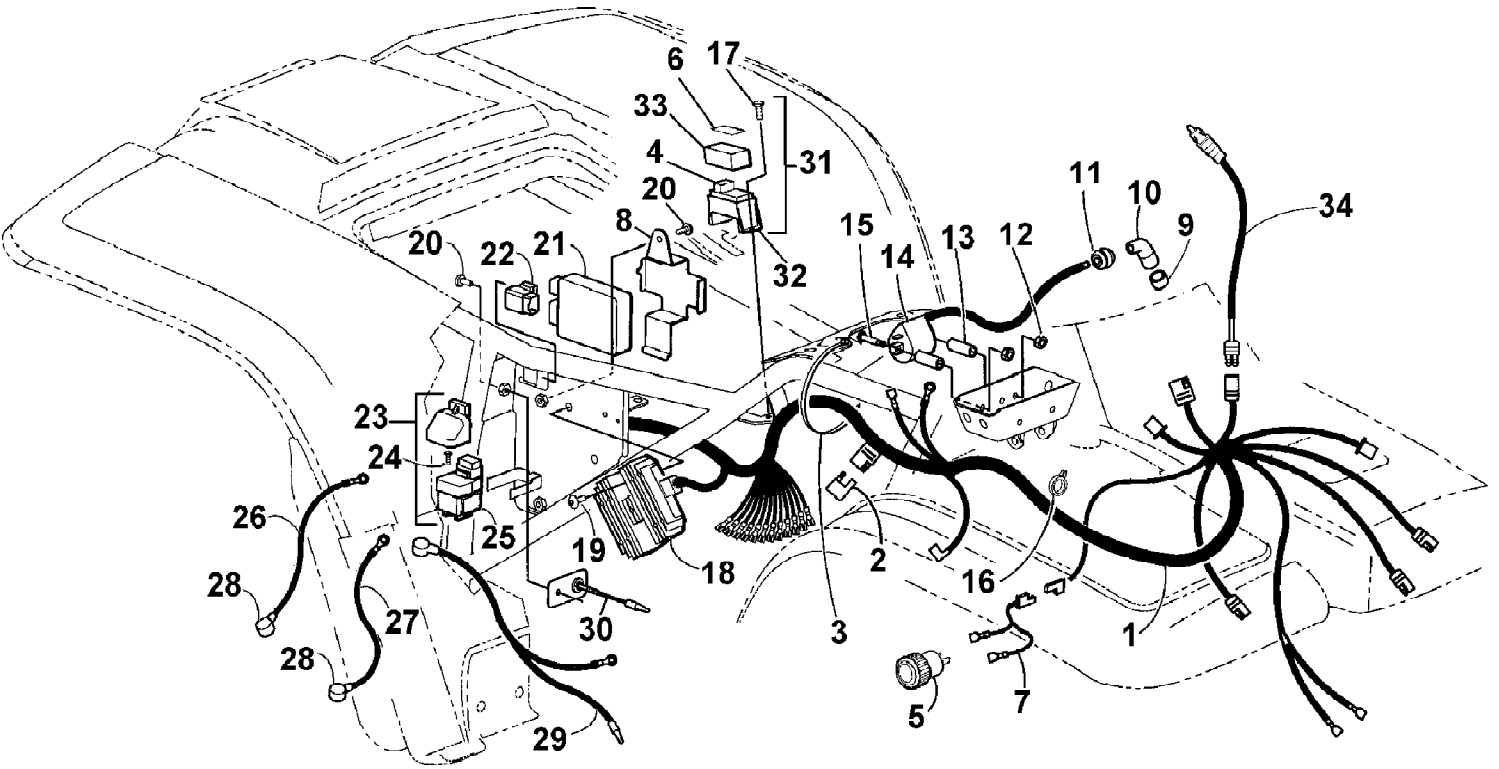
2001 500 CC AUTOMATIC TRANSMISSION (GREEN) (A2001ATM4BUSG) Page 86 of 90
WATER PUMP ASSEMBLY

| Ref # | Part Number | Qty | S/P/F | Description |
|-------|-------------|-----|-------|------------------------------------|
| 1 | 3402-464 | 1 | /P | Pump, Water - Assembly (inc. 2-11) |
| 2 | 3423-343 | 1 | | Bolt |
| 3 | 3003-188 | 1 | S/P | Gasket |
| 4 | 3423-402 | 1 | | O-Ring |
| 5 | 3413-014 | 1 | | Impeller/Shaft |
| 6 | 3402-360 | 1 | S | Seal, Mechanical |
| 7 | 3402-465 | 1 | | Seal, Oil |
| 8 | 3003-615 | 1 | /P | Bearing |
| 9 | 3423-403 | 1 | S | E-Ring |
| 10 | 3423-404 | 1 | | O-Ring |
| 11 | 3003-484 | 2 | S/P | Screw |
| 12 | 3423-308 | 2 | S | Bolt |
| 13 | 3402-026 | 1 | | Gear, Driven |
| 14 | 3402-466 | 1 | | Shaft, Driven Gear |
| 15 | 3423-046 | 1 | | Pin, Driven Gear |
| 16 | 3423-184 | 2 | S | Circlip, Driven Gear |
| 17 | 3402-467 | 1 | | Bearing, Shaft |
| 18 | 3423-405 | 1 | | Circlip, Shaft Bearing |
| 19 | 3402-390 | 1 | | Gear, Water Pump Drive |
| 20 | 3423-110 | 1 | | Pin, Drive Gear |
| 21 | 3423-189 | 1 | S | Circlip, Drive Gear |



2001 500 CC AUTOMATIC TRANSMISSION (GREEN) (A2001ATM4BUSG) Page 88 of 90
 WHEEL AND TIRE ASSEMBLY

| Ref # | Part Number | Qty | S/P/F | Description |
|-------|-------------|-----|-------|-----------------------|
| 1 | 3423-213 | 2 | | Nut, Hex |
| 2 | 0402-140 | 4 | | Cap, Valve Stem |
| 3 | 0402-064 | 4 | | Stem, Valve |
| 4 | 0402-657 | 2 | | Wheel - Front |
| 5 | 0402-319 | 2 | /P | Tire - Front |
| 6 | 0123-458 | 2 | /P | Pin, Cotter |
| 7 | 0423-080 | 2 | | Washer |
| 8 | 0402-181 | 2 | | Seal, Hub |
| 9 | 0502-163 | 2 | S | Hub, Wheel - Front |
| 10 | 0402-482 | 2 | S | Disc, Brake |
| 11 | 0423-029 | 8 | | Screw, Machine |
| 12 | 0402-753 | 2 | | Wheel - Rear |
| 13 | 0402-319 | 2 | /P | Tire - Rear |
| 14 | 0403-035 | 2 | /P | Cap, Wheel - Center |
| 15 | 0423-120 | 16 | | Nut, Mounting - Wheel |



| Ref # | Part Number | Qty | S/P/F | Description |
|-------|-------------|-----|-------|---|
| 1 | 0486-075 | 1 | | Harness, Main |
| 2 | 0486-029 | 1 | | Diode (Start in Gear) |
| 3 | 0123-788 | AR | /P | Cable Tie - 7 in. |
| 4 | 0630-057 | 4 | | Fuse - 10 Amp |
| 4 | 0630-058 | 2 | | Fuse - 15 Amp |
| 5 | 0445-022 | 1 | S | Receptacle, 12V |
| 6 | 0411-271 | 1 | | Decal, Fuse Block |
| 7 | 0486-004 | 1 | | Harness, 12V Receptacle |
| 8 | 0406-535 | 1 | | Bracket, CDI Unit |
| 9 | 3430-008 | 1 | /P | Seal, Spark Plug |
| 10 | 3430-007 | 1 | /P | Cap, Spark Plug |
| 11 | 3430-009 | 1 | /P | Seal, High Tension Cord |
| 12 | 8424-602 | 2 | /P | Nut |
| 13 | 0107-630 | 2 | | Spacer |
| 14 | 3530-027 | 1 | | Coil, Ignition - Assembly |
| 15 | 8476-640 | 2 | | Screw, Cap |
| 16 | 0423-075 | 1 | | Cable Tie - Push Mount |
| 17 | 0423-068 | 2 | | Screw, Machine |
| 18 | 3530-028 | 1 | S | Regulator, Voltage |
| 19 | 8476-625 | 2 | | Screw, Machine |
| 20 | 8476-616 | 2 | | Screw, Machine |
| 21 | 3530-032 | 1 | /P | CDI Unit |
| 22 | 3530-008 | 1 | S | Relay, Neutral Start - Assembly |
| 23 | 3530-001 | 1 | /P | Relay, Starter Motor - Assembly (inc. 25) |
| 24 | 3423-020 | 2 | /P | Screw, Cap |
| 25 | 0630-098 | 1 | | Fuse, 30 Amp |
| 26 | 0445-019 | 1 | | Cable, Battery/Electric Start Relay |
| 27 | 0445-021 | 1 | S | Cable, Battery/Electric Start |
| 28 | 0645-019 | 2 | | Boot, Terminal |
| 29 | 0445-020 | 1 | | Cable, Battery/Ground |
| 30 | 0586-003 | 1 | | Diode Assembly |
| 31 | 0530-001 | 1 | | Block, Fuse - Assembly (inc. 4, 6, and 32-33) |
| 32 | 0 | 1 | F | Block, Fuse |
| 33 | 0 | 1 | F | Cover, Fuse Block |
| 34 | 0409-009 | 1 | | Switch, Brake |