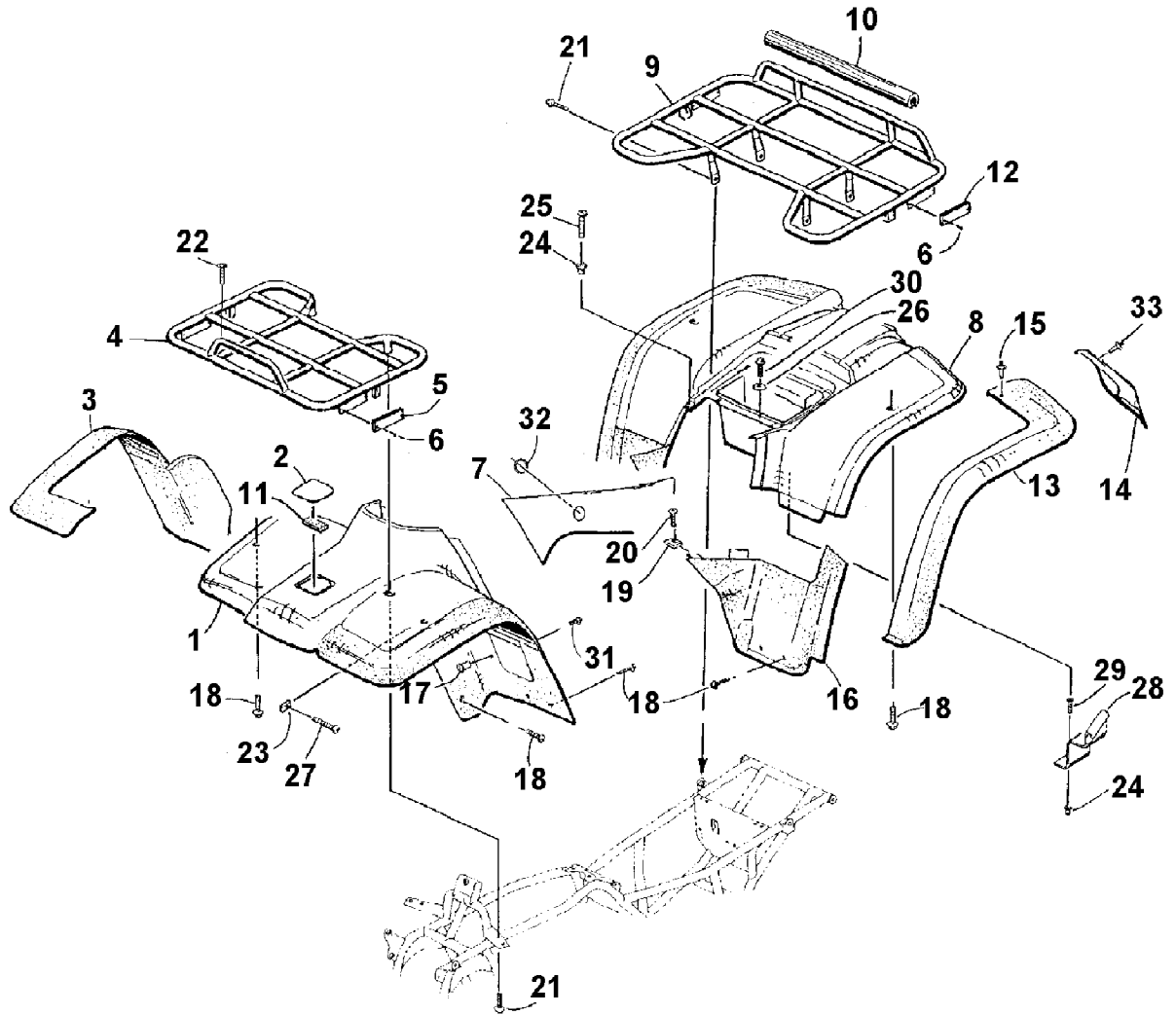


2001 400 4X4 RED (A2001ATI4AUSR) (ATV 400/500 CC MANUAL TRANSMISSION) Page 2 of 97  
 AIR INTAKE ASSEMBLY

| Ref # | Part Number | Qty | S/P/F | Description                       |
|-------|-------------|-----|-------|-----------------------------------|
| 1     | 0423-066    | 1   |       | Clamp                             |
| 2     | 0470-305    | 1   |       | Boot, Air Cleaner                 |
| 3     | 0423-018    | 2   |       | Clamp                             |
| 4     | 0470-337    | 1   |       | Housing, Air Cleaner              |
| 5     | 0623-301    | 3   | /P    | Screw, Self-Tapping               |
| 6     | 0470-343    | 1   |       | Gasket, Air Cleaner               |
| 7     | 0470-383    | 1   | /P    | Snorkel, Air Cleaner              |
| 8     | 0470-307    | 4   |       | Clamp, Air Cleaner                |
| 9     | 0423-037    | 4   |       | Spring, Air Cleaner               |
| 10    | 0623-121    | 4   |       | Screw, Machine                    |
| 11    | 0123-010    | 4   | /P    | Nut, Expansion                    |
| 12    | 0410-004    | 1   |       | Hose, Crankcase Vent              |
| 13    | 0470-391    | 1   | /P    | Filter, Air Cleaner               |
| 14    | 0623-361    | 2   |       | Screw, Self-Tapping               |
| 15    | 0470-309    | 1   | S     | Valve, Air Cleaner                |
| 16    | 1673-272    | 1   | /P    | Cap, Fitting - Air Cleaner        |
| 17    | 0423-047    | 1   |       | Clamp, Hose                       |
| 18    | 0423-045    | 2   |       | Clamp, Hose - Spring              |
| 19    | 0470-351    | 2   |       | Support, Air Cleaner Flange       |
| 20    | 0406-356    | 1   |       | Plate, Heat - Air Intake          |
| 21    | 0530-001    | 1   |       | Box, Fuse - Assembly (inc. 22-25) |
| 22    | 0           | 1   | F     | Block, Fuse                       |
| 23    | 0           | 1   | F     | Lid, Fuse Box                     |
| 24    | 0411-271    | 1   |       | Decal, Fuse Block                 |
| 25    | 0630-057    | 4   |       | Fuse - 10 Amp                     |
| 25    | 0630-058    | 2   |       | Fuse - 15 Amp                     |



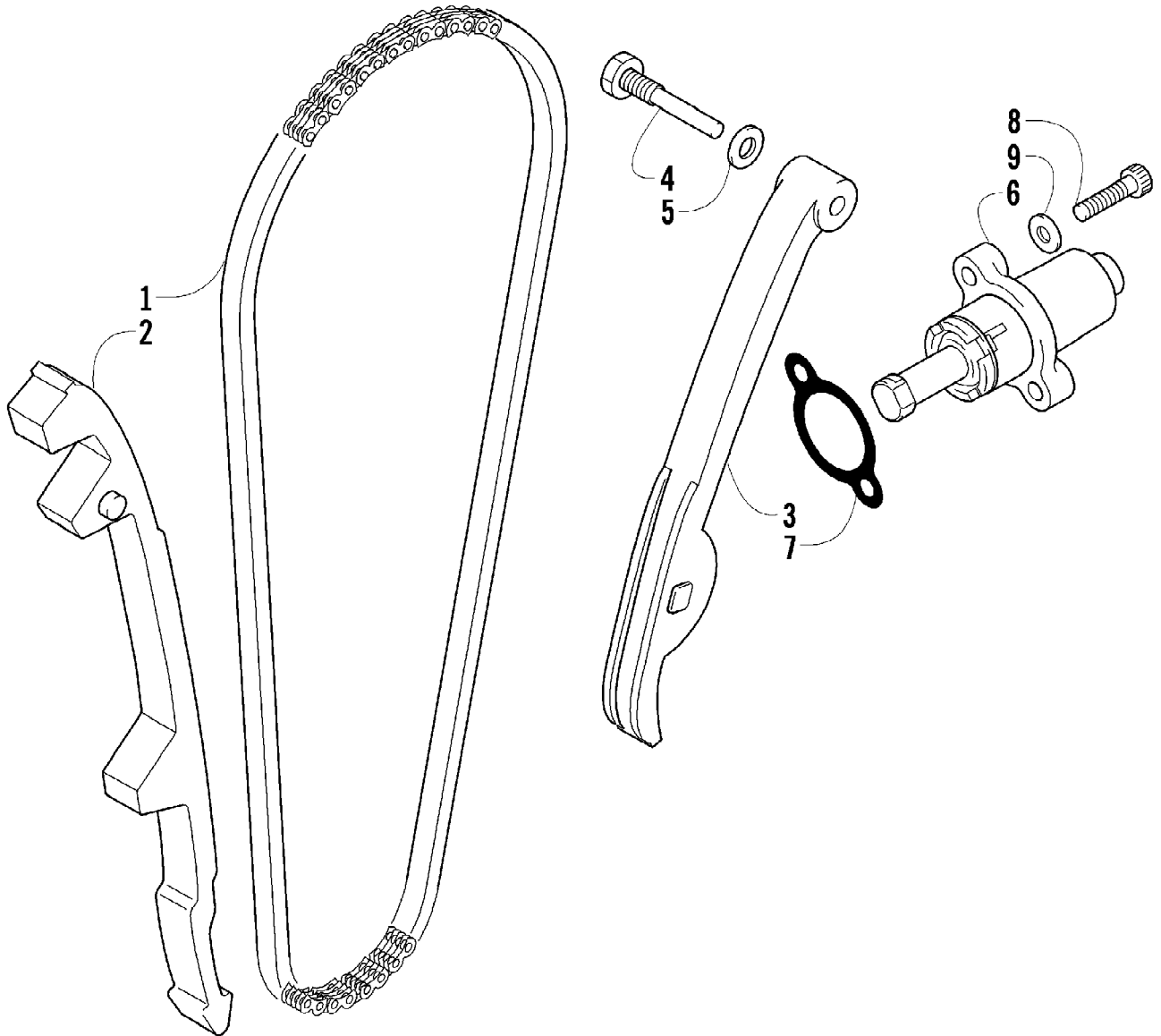
2001 400 4X4 RED (A2001ATI4AUSR) (ATV 400/500 CC MANUAL TRANSMISSION) Page 4 of 97  
 BODY PANEL ASSEMBLY

| Ref # | Part Number | Qty | S/P/F | Description                         |
|-------|-------------|-----|-------|-------------------------------------|
| 1     | 0506-239    | 1   |       | Panel, Fender - Front (Red) (2X4)   |
| 1     | 0506-365    | 1   |       | Panel, Fender - Front (Green) (2X4) |
| 1     | 0506-406    | 1   | /P    | Panel, Fender - Front (Red) (4X4)   |
| 1     | 0506-405    | 1   | /P    | Panel, Fender - Front (Green) (4X4) |
| 2     | 0506-153    | 1   | S     | Cover, Access (Red)                 |
| 2     | 0506-145    | 1   | S     | Cover, Access (Green)               |
| 3     | 0406-140    | 1   | /P    | Flare - Front Right (2X4)           |
| 3     | 0406-141    | 1   | /P    | Flare - Front Left (2X4)            |
| 3     | 0406-080    | 1   | /P    | Flare - Front Right (4X4)           |
| 3     | 0406-081    | 1   | /P    | Flare - Front Left - 400 (4X4)      |
| 3     | 0406-081    | 1   | /P    | Flare - Front Left - 500 (4X4)      |
| 4     | 0506-409    | 1   |       | Rack - Front (400)                  |
| 4     | 0506-407    | 1   |       | Rack - Front (500)                  |
| 5     | 0606-526    | 2   |       | Reflector, Front - Yellow           |
| 6     | 0623-269    | 8   |       | Clip, Retaining                     |
| 7     | 0506-480    | 1   |       | Panel, Side - Right (Red) (400)     |
| 7     | 0506-487    | 1   |       | Panel, Side - Right (Red) (500)     |
| 7     | 0506-243    | 1   |       | Panel, Side - Left (Red)            |
| 7     | 0506-479    | 1   |       | Panel, Side - Right (Green) (400)   |
| 7     | 0506-486    | 1   |       | Panel, Side - Right (Green) (500)   |
| 7     | 0506-165    | 1   |       | Panel, Side - Left (Green)          |
| 8     | 0506-240    | 1   |       | Panel, Fender - Rear (Red) (2X4)    |
| 8     | 0506-366    | 1   |       | Panel, Fender - Rear (Green) (2X4)  |
| 8     | 0506-307    | 1   |       | Panel, Fender - Rear (Red) (4X4)    |
| 8     | 0506-157    | 1   |       | Panel, Fender - Rear (Green) (4X4)  |
| 9     | 0506-190    | 1   | /P    | Rack - Rear (400)                   |
| 9     | 0506-482    | 1   | S     | Rack - Rear (500)                   |
| 10    | 0406-293    | 1   |       | Wrap, Tube - Rear Rack              |
| 11    | 0417-002    | 1   |       | Foam, Access Panel                  |
| 12    | 0606-029    | 2   |       | Reflector, Rear - Red               |
| 13    | 0406-082    | 1   |       | Flare, Rear Right (4X4)             |
| 13    | 0406-083    | 1   |       | Flare, Rear Left (4X4)              |
| 14    | 0406-558    | 1   |       | Mud Flap - Right (4X4)              |
| 14    | 0406-559    | 1   |       | Mud Flap - Left (4X4)               |
| 15    | 0423-046    | AR  |       | Rivet, Plastic                      |
| 16    | 0406-084    | 1   |       | Fender Extension - Rear Right (2X4) |
| 16    | 0406-085    | 1   |       | Fender Extension - Rear Left (2X4)  |
| 16    | 0506-160    | 1   |       | Fender Extension - Rear Right (4X4) |
| 16    | 0506-161    | 1   |       | Fender Extension - Rear Left (4X4)  |
| 17    | 0423-077    | 4   | /P    | T-Nut w/Teeth (2X4)                 |
| 18    | 0423-101    | AR  |       | Screw, Body                         |
| 19    | 0423-060    | 2   |       | Clip, Tinerman                      |
| 20    | 0623-309    | 2   |       | Screw, Self-Tapping                 |
| 21    | 8409-020    | 6   | /P    | Screw, Cap                          |
| 22    | 8477-612    | 2   |       | Screw, Machine                      |
| 23    | 0423-031    | 2   |       | Nut, Speed                          |
| 24    | 0123-010    | 3   | /P    | Nut, Expansion                      |
| 25    | 0423-068    | 2   |       | Screw, Machine                      |
| 26    | 0623-184    | 1   |       | Washer                              |
| 27    | 8477-616    | 2   |       | Screw, Machine                      |
| 28    | 0406-297    | 1   |       | Plate, Heat - Rear Panel            |
| 29    | 0123-549    | 1   | /P    | Screw, Machine                      |
| 30    | 8476-616    | 1   |       | Screw, Machine                      |



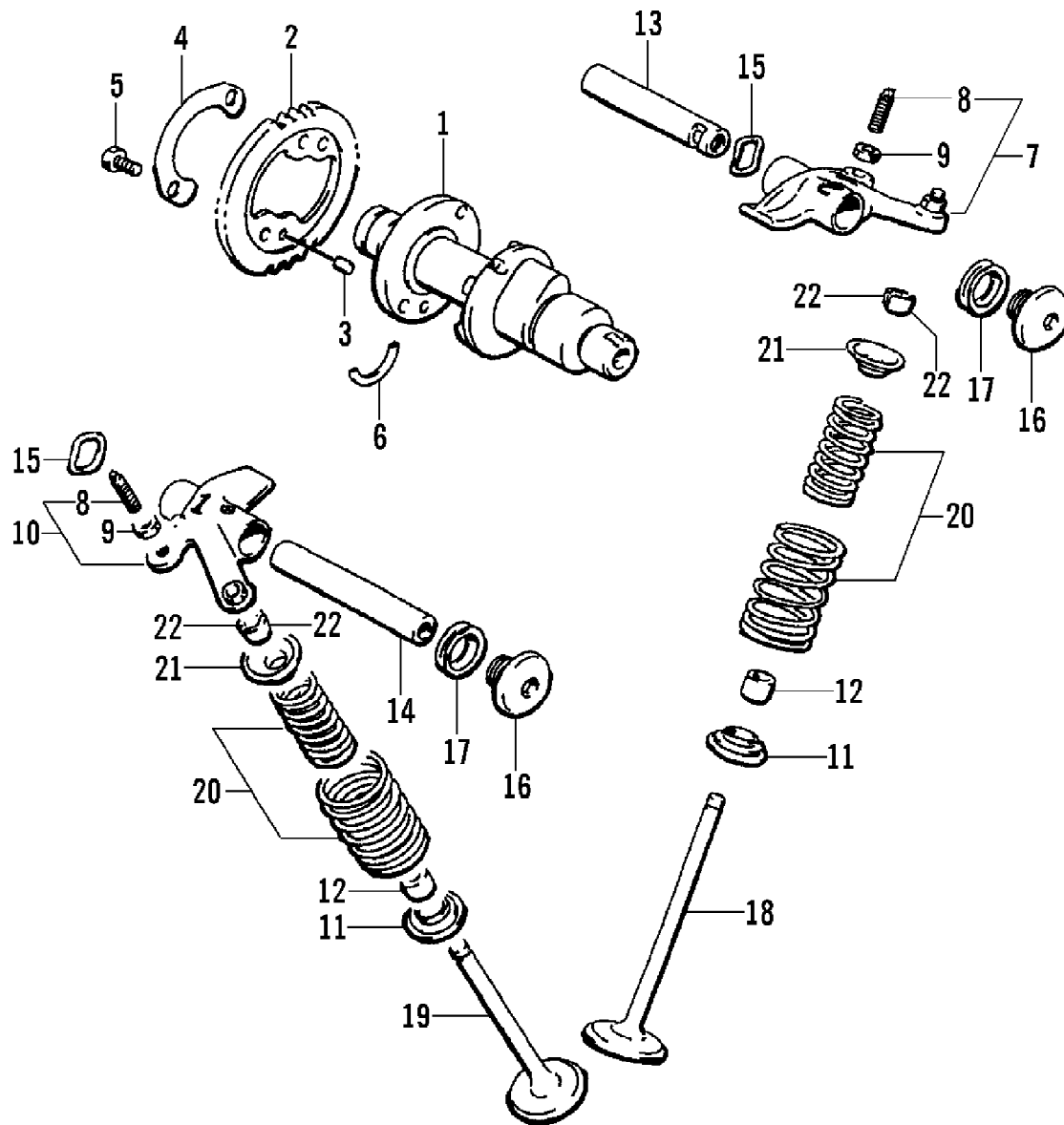
2001 400 4X4 RED (A2001ATI4AUSR) (ATV 400/500 CC MANUAL TRANSMISSION) Page 5 of 97  
BODY PANEL ASSEMBLY

| Ref # | Part Number | Qty | S/P/F | Description                  |
|-------|-------------|-----|-------|------------------------------|
| 31    | 8477-616    | 4   |       | Screw, Machine (2X4)         |
| 32    | 0470-404    | 1   |       | Grommet, Fuel Shut-Off Valve |
| 33    | 0423-168    | 8   |       | Rivet, Plastic               |



2001 400 4X4 RED (A2001ATI4AUSR) (ATV 400/500 CC MANUAL TRANSMISSION) Page 7 of 97  
 CAM CHAIN ASSEMBLY

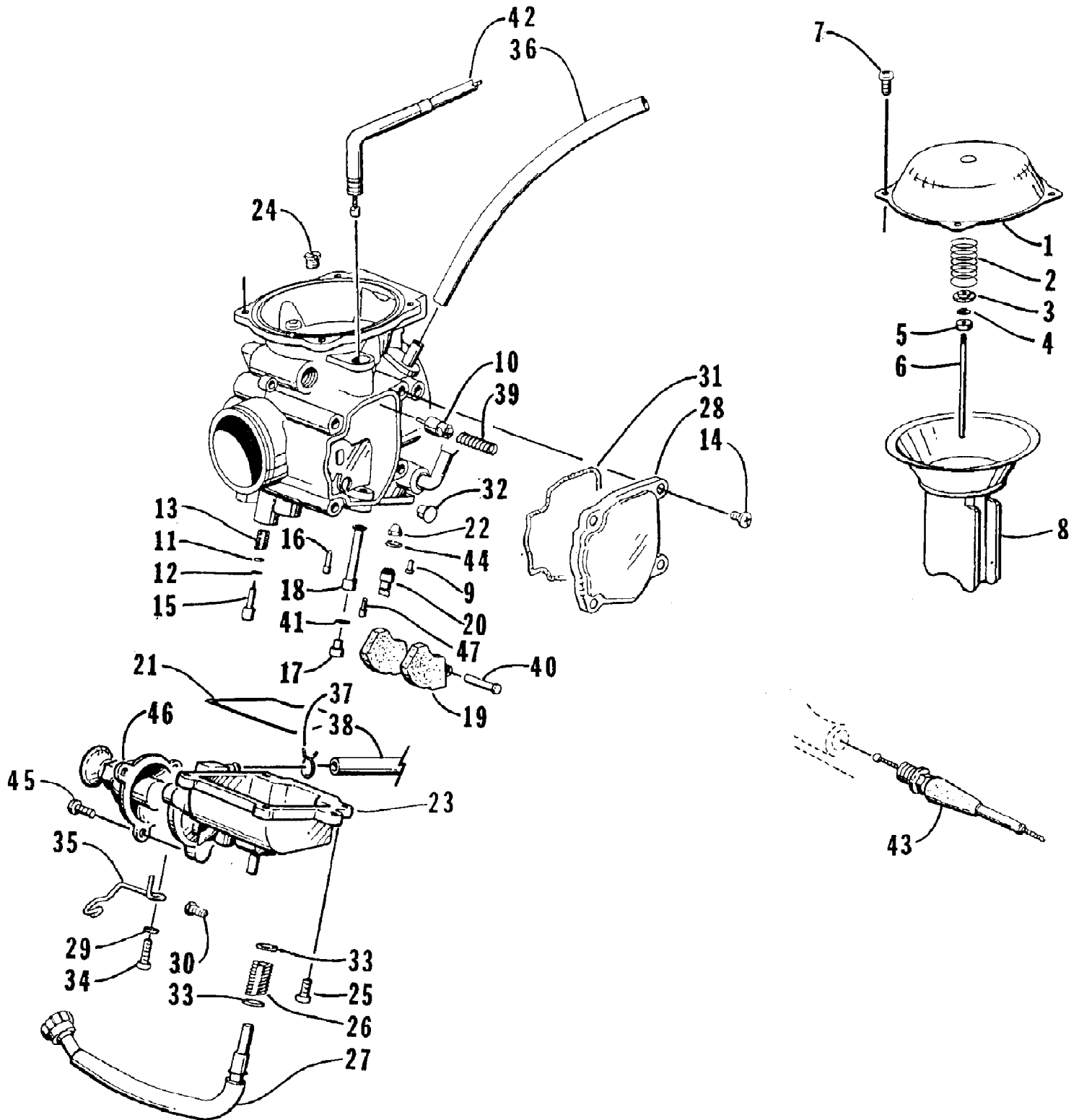
| Ref # | Part Number | Qty | S/P/F | Description                    |
|-------|-------------|-----|-------|--------------------------------|
| 1     | 3402-133    | 1   |       | Chain, Cam (400)               |
| 1     | 3402-353    | 1   |       | Chain, Cam (500)               |
| 2     | 3402-134    | 1   |       | Guide, Chain (400)             |
| 2     | 3402-355    | 1   |       | Guide, Chain (500)             |
| 3     | 3402-135    | 1   |       | Tensioner, Chain (400)         |
| 3     | 3402-356    | 1   |       | Tensioner, Chain (500)         |
| 4     | 3423-074    | 1   |       | Screw, Cap                     |
| 5     | 3003-188    | 1   | S/P   | Washer                         |
| 6     | 3402-136    | 1   |       | Adjuster, Tensioner - Assembly |
| 7     | 3402-137    | 1   |       | Gasket                         |
| 8     | 3004-475    | 2   | S     | Screw, Cap                     |
| 9     | 3003-290    | 2   | /P    | Gasket                         |



2001 400 4X4 RED (A2001ATI4AUSR) (ATV 400/500 CC MANUAL TRANSMISSION) Page 9 of 97  
 CAMSHAFT/VALVE ASSEMBLY

| Ref # | Part Number | Qty | S/P/F | Description                  |
|-------|-------------|-----|-------|------------------------------|
| 1     | 3402-027    | 1   | S     | Camshaft                     |
| 2     | 3402-131    | 1   |       | Sprocket (400)               |
| 2     | 3402-352    | 1   |       | Sprocket (500)               |
| 3     | 3423-047    | 1   |       | Pin                          |
| 4     | 3423-073    | 1   |       | Washer                       |
| 5     | 3423-013    | 2   | S     | Screw, Cap                   |
| 6     | 3423-071    | 1   | /P    | C-Ring                       |
| 7     | 3402-138    | 1   | S     | Arm, Valve Rocker (inc. 8-9) |
| 8     | 3423-075    | 2   |       | Screw, Cap                   |
| 9     | 3423-076    | 2   |       | Nut                          |
| 10    | 3402-139    | 1   |       | Arm, Valve Rocker (inc. 8-9) |
| 11    | 3402-148    | 4   |       | Seat, Spring                 |
| 12    | 3402-078    | 4   |       | Seal, Oil                    |
| 13    | 3402-140    | 1   |       | Shaft, Rocker Arm            |
| 14    | 3402-141    | 1   |       | Shaft, Rocker Arm            |
| 15    | 3423-031    | 2   |       | Washer                       |
| 16    | 3402-040    | 2   | /P    | Plug, Shaft                  |
| 17    | 3402-012    | 2   |       | Gasket                       |
| 18    | 3402-142    | 2   | S     | Valve, Intake                |
| 19    | 3402-143    | 2   |       | Valve, Exhaust               |
| 20    | 3402-144    | 4   |       | Spring, Valve - Set          |
| 21    | 3402-146    | 4   | S     | Retainer, Spring             |
| 22    | 3402-147    | 8   |       | Cotter, Valve                |

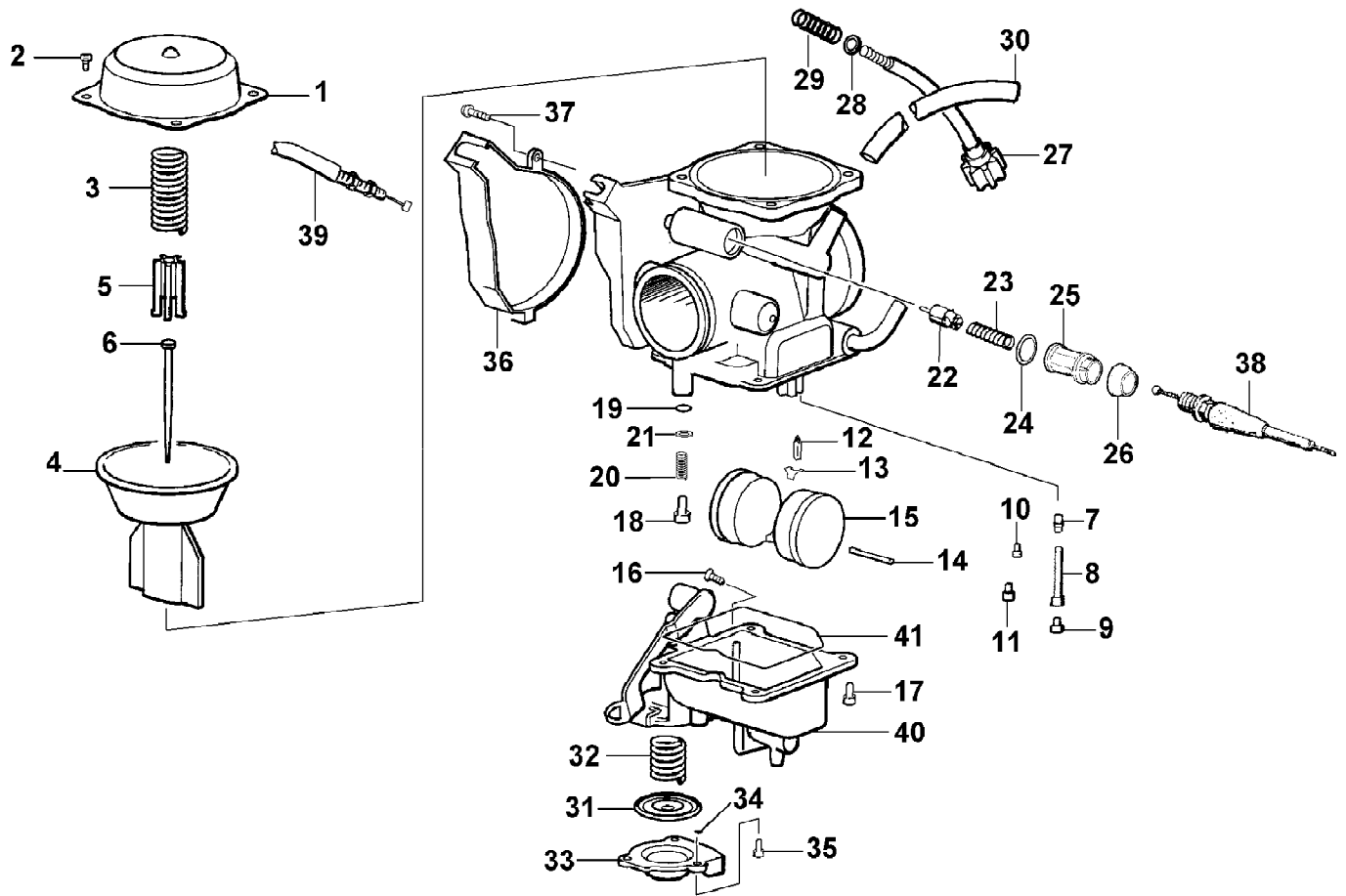
2001 400 4X4 RED (A2001ATI4AUSR) (ATV 400/500 CC MANUAL TRANSMISSION) 10 of 97  
CARBURETOR (400 cc)



2001 400 4X4 RED (A2001ATI4AUSR) (ATV 400/500 CC MANUAL TRANSMISSION) 11 of 97  
 CARBURETOR (400 cc)

| Ref # | Part Number | Qty | S/P/F | Description                   |
|-------|-------------|-----|-------|-------------------------------|
| 1     | 4505-001    | 1   |       | Cover Assembly                |
| 2     | 4505-002    | 1   |       | Spring                        |
| 3     | 4505-003    | 1   |       | Ring                          |
| 4     | 4505-004    | 1   | S     | E-Clip                        |
| 5     | 4505-005    | 1   |       | Ring                          |
| 6     | 4505-082    | 1   |       | Jet Needle                    |
| 7     | 4505-007    | 4   | S     | Screw                         |
| 8     | 4505-077    | 1   |       | Diaphragm                     |
| 9     | 4505-009    | 1   |       | Screw                         |
| 10    | 4505-078    | 1   |       | Plunger Assembly              |
| 11    | 4505-011    | 1   | /P    | O-Ring                        |
| 12    | 4505-012    | 1   |       | Washer                        |
| 13    | 4505-013    | 1   |       | Spring                        |
| 14    | 4505-014    | 4   |       | Screw                         |
| 15    | 4505-016    | 1   | /P    | Screw, Pilot                  |
| 16    | 4505-059    | 1   |       | Pilot Jet 45                  |
| 17    | 4505-080    | 1   |       | Main Jet 150                  |
| 18    | 4505-006    | 1   | /P    | Needle Jet P-7                |
| 19    | 4505-021    | 1   |       | Float Assembly                |
| 20    | 4505-022    | 1   |       | Seat, Valve 2.0 (With Needle) |
| 20    | 4505-102    | 1   | F     | Seat, Valve 2.3 (With Needle) |
| 21    | 4505-044    | 1   |       | O-Ring, Float Chamber         |
| 22    | 4505-045    | 1   |       | Filter                        |
| 23    | 4505-049    | 1   |       | Chamber, Float                |
| 24    | 4505-086    | 1   |       | Jet, Pilot Air                |
| 25    | 4505-025    | 3   |       | Screw                         |
| 26    | 4505-026    | 1   |       | Spring                        |
| 27    | 4505-027    | 1   |       | Cable, Adjuster - Assembly    |
| 28    | 4505-028    | 1   |       | Cover                         |
| 29    | 4505-029    | 1   |       | Washer                        |
| 30    | 4505-030    | 1   |       | Screw                         |
| 31    | 4505-031    | 1   |       | O-Ring                        |
| 32    | 4505-032    | 1   |       | Guide, Cable                  |
| 33    | 4505-033    | 2   |       | Washer                        |
| 34    | 4505-042    | 1   |       | Screw                         |
| 35    | 4505-034    | 1   | /P    | Clip                          |
| 36    | 4505-035    | 2   |       | Hose                          |
| 37    | 4505-053    | 2   |       | Clip                          |
| 38    | 4505-052    | 1   | S     | Hose                          |
| 39    | 4505-039    | 1   | /P    | Spring                        |
| 40    | 6505-153    | 1   |       | Pin, Float                    |
| 41    | 6505-006    | 1   |       | Washer                        |
| 42    | 0487-001    | 1   |       | Cable, Throttle               |
| 43    | 0487-002    | 1   |       | Cable, Choke                  |
| 44    | 6505-875    | 1   | /P    | O-Ring                        |
| 45    | 4505-051    | 3   |       | Screw, Cap                    |
| 46    | 4505-050    | 1   |       | Cover, Primer - Assembly      |
| 47    | 4505-107    | 1   |       | Holder, Carburetor            |

2001 400 4X4 RED (A2001ATI4AUSR) (ATV 400/500 CC MANUAL TRANSMISSION) 12 of 97  
CARBURETOR (500 cc)

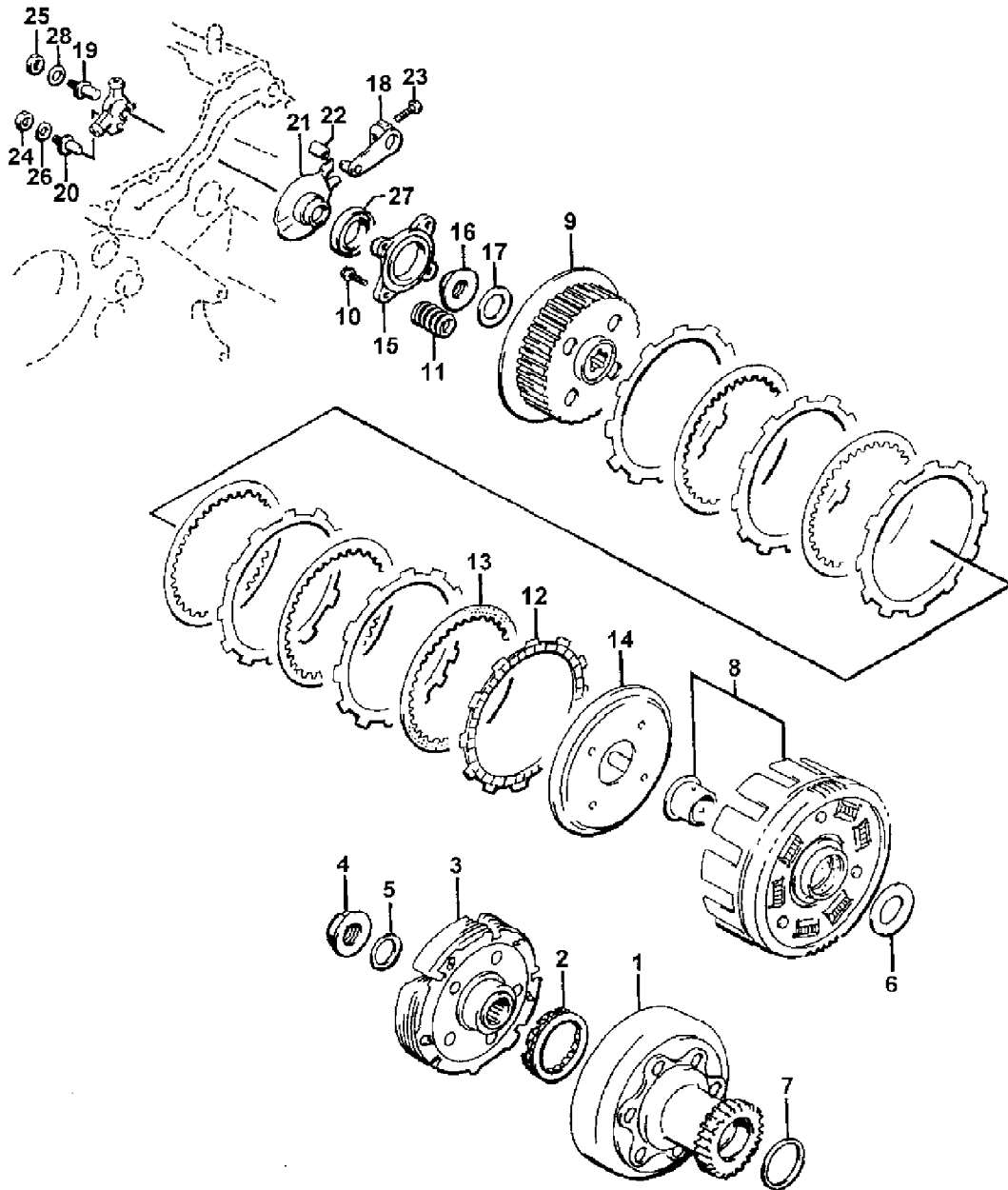




2001 400 4X4 RED (A2001ATI4AUSR) (ATV 400/500 CC MANUAL TRANSMISSION) 13 of 97  
 CARBURETOR (500 cc)

| Ref # | Part Number | Qty | S/P/F | Description  |
|-------|-------------|-----|-------|--|
| 1     | 5507-001    | 1   |       | Cover, Top   |
| 2     | 5507-002    | 4   | /P    | Screw, Top Cover                                   |
| 3     | 5507-066    | 1   | /P    | Spring   |
| 4     | 5507-004    | 1   | /P    | Piston, Vacuum                                     |
| 5     | 5507-005    | 1   |       | Spring, Seat                                       |
| 6     | 5507-006    | 1   |       | Jet Needle   |
| 7     | 5507-007    | 1   |       | Needle Jet   |
| 8     | 5507-047    | 1   | /P    | Holder, Needle Jet                                 |
| 9     | 5507-042    | 1   | /P    | Main Jet 145                                       |
| 9     | 5507-009    | 1   | /P/F  | Main Jet 150                                       |
| 9     | 5507-041    | 1   | F     | Main Jet 147                                       |
| 9     | 5507-043    | 1   | F     | Main Jet 142                                       |
| 9     | 5507-044    | 1   | F     | Main Jet 140                                       |
| 10    | 5507-010    | 1   | S     | Slow Jet   |
| 11    | 5507-011    | 1   |       | Starter Jet - 102                                  |
| 12    | 5507-038    | 1   |       | Valve, Float - Set (inc. 13)                       |
| 13    |             | 1   | F     | Clip   |
| 14    |             | 1   | F     | Pin, Float   |
| 15    | 5507-039    | 1   |       | Float Set (inc. 14)                                |
| 16    | 5507-050    | 1   | /P    | Screw, Drain                                       |
| 17    | 5507-017    | 4   | /P    | Screw  |
| 18    | 5507-040    | 1   |       | Screw, Pilot Air - Set (inc. 19-21)                |
| 19    |             | 1   | F     | O-Ring   |
| 20    |             | 1   | F     | Spring   |
| 21    |             | 1   | F     | Washer   |
| 22    | 5507-022    | 1   |       | Valve, Starter                                     |
| 23    | 5507-023    | 1   |       | Spring   |
| 24    | 5507-024    | 1   |       | O-Ring   |
| 25    | 5507-025    | 1   |       | Cap  |
| 26    | 5507-026    | 1   |       | Cap, Rubber  |
| 27    | 5507-027    | 1   |       | Screw, Stop  |
| 28    | 5507-028    | 1   |       | Washer   |
| 29    | 5507-029    | 1   |       | Spring   |
| 30    | 5507-030    | 1   | /P    | Tube, Vinyl  |
| 31    | 5507-031    | 1   | S     | Diaphragm Assembly                                 |
| 32    | 5507-032    | 1   |       | Spring   |
| 33    |             | 1   | F     | Housing, Pump                                      |
| 34    | 5507-034    | 1   |       | U-Ring   |
| 35    | 5507-035    | 3   |       | Screw  |
| 36    | 5507-036    | 1   |       | Cover  |
| 37    | 5507-037    | 1   | /P    | Screw  |
| 38    | 0487-016    | 1   |       | Cable, Choke                                       |
| 39    | 0487-021    | 1   | S     | Cable, Throttle                                    |
| 40    |             | 1   | F     | Chamber, Float - Assembly (inc. 16, 31-35, and 41) |
| 41    | 5507-067    | 1   | /P    | O-Ring, Float Chamber                              |

2001 400 4X4 RED (A2001ATI4AUSR) (ATV 400/500 CC MANUAL TRANSMISSION) 14 of 97  
CLUTCH ASSEMBLY

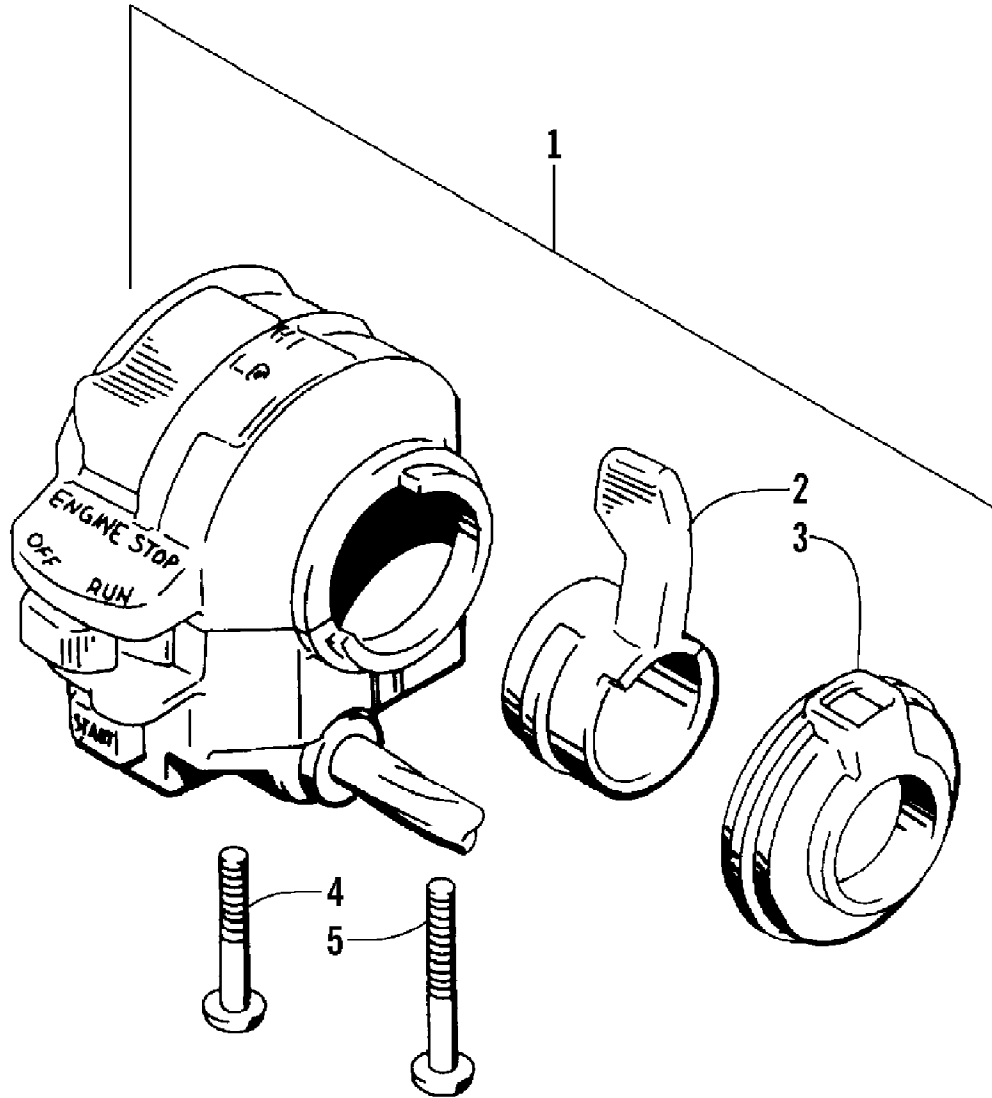


2001 400 4X4 RED (A2001ATI4AUSR) (ATV 400/500 CC MANUAL TRANSMISSION)  
CLUTCH ASSEMBLY

Page 15 of 97

| Ref # | Part Number | Qty | S/P/F | Description                          |
|-------|-------------|-----|-------|--------------------------------------|
| 1     | 3446-001    | 1   | S     | Housing, Starter Clutch (400)        |
| 1     | 3446-232    | 1   |       | Housing, Starter Clutch (500)        |
| 2     | 3446-003    | 1   |       | Clutch, Primary Drive One Way        |
| 3     | 3446-227    | 1   |       | Shoe, Starter Clutch (400)           |
| 3     | 3446-233    | 1   |       | Shoe, Starter Clutch (500)           |
| 4     | 3423-081    | 1   |       | Nut, Starter Clutch Shoe             |
| 5     | 3423-032    | 1   |       | Washer, Starter Clutch Shoe          |
| 6     | 3423-122    | 1   |       | Washer, Primary Driven               |
| 7     | 3423-186    | 1   |       | Washer, Primary Driven (400)         |
| 7     | 3423-350    | 1   |       | Washer, Primary Driven (500)         |
| 8     | 3446-002    | 1   |       | Gear, Primary Driven - Assembly      |
| 9     | 3446-213    | 1   |       | Hub, Clutch Sleeve (400)             |
| 9     | 3446-004    | 1   |       | Hub, Clutch Sleeve (500)             |
| 10    | 3423-330    | 4   |       | Screw, Cap - Clutch Spring           |
| 11    | 3446-005    | 4   |       | Spring, Clutch                       |
| 12    | 3446-006    | 5   |       | Plate, Clutch Drive (400)            |
| 12    | 3446-006    | 6   |       | Plate, Clutch Drive (500)            |
| 13    | 3446-226    | 4   |       | Plate, Clutch Driven (400)           |
| 13    | 3446-007    | 5   |       | Plate, Clutch Driven (500)           |
| 14    | 3446-008    | 1   |       | Disc, Clutch Pressure                |
| 15    | 3446-009    | 1   |       | Plate, Clutch Release                |
| 16    | 3423-080    | 1   |       | Nut, Clutch Sleeve Hub               |
| 17    | 3423-032    | 1   |       | Washer, Sleeve Hub                   |
| 18    | 3446-011    | 1   |       | Arm, Clutch Release                  |
| 19    | 3423-361    | 1   |       | Bolt, Clutch Release (No. 1) (400)   |
| 19    | 3423-333    | 1   |       | Bolt, Clutch Release (No. 1) (500)   |
| 20    | 3423-083    | 1   |       | Bolt, Clutch (No. 2)                 |
| 21    | 3446-214    | 1   |       | Guide, Release Roller                |
| 22    | 3446-013    | 1   | S     | Roller, Clutch Release - Assembly    |
| 23    | 3423-125    | 1   | S     | Bolt, Clutch Release Arm             |
| 24    | 3008-014    | 1   |       | Nut, Clutch Release (No. 2)          |
| 25    | 3423-359    | 1   |       | Nut, Clutch Release (No. 1) (400)    |
| 25    | 3423-022    | 1   |       | Nut, Clutch Release (No. 1) (500)    |
| 26    | 3423-027    | 1   |       | Washer, Clutch (No. 2)               |
| 27    | 3402-186    | 1   | /P    | Bearing, Clutch                      |
| 28    | 3423-360    | 1   |       | Washer, Clutch Release (No. 1) (400) |
| 28    | 3423-204    | 1   | /P    | Washer, Clutch Release (No. 1) (500) |

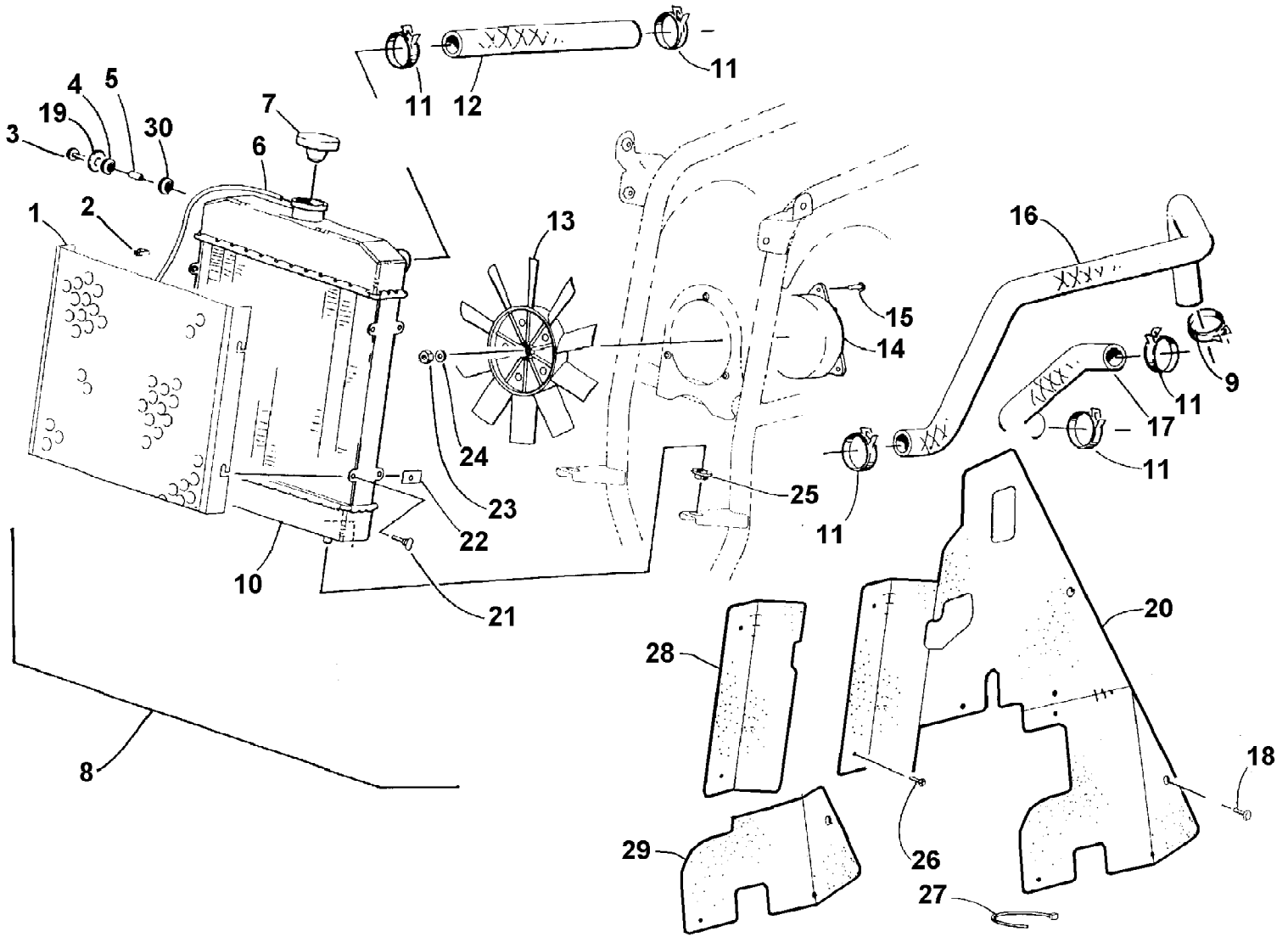
2001 400 4X4 RED (A2001ATI4AUSR) (ATV 400/500 CC MANUAL TRANSMISSION) 16 of 97  
CONTROL SWITCH HOUSING ASSEMBLY



2001 400 4X4 RED (A2001ATI4AUSR) (ATV 400/500 CC MANUAL TRANSMISSION) 17 of 97  
CONTROL SWITCH HOUSING ASSEMBLY

| Ref # | Part Number | Qty | S/P/F | Description                                     |
|-------|-------------|-----|-------|---|
| 1     | 3509-001    | 1   | S     | Switch, Handlebar Control - Assembly (inc. 2-5) |
| 2     | 3409-009    | 1   |       | Lever, Choke                                    |
| 3     | 3409-010    | 1   |       | Cover, Choke                                    |
| 4     | 3423-196    | 1   |       | Screw, Cap                                      |
| 5     | 3423-197    | 1   |       | Screw, Cap                                      |

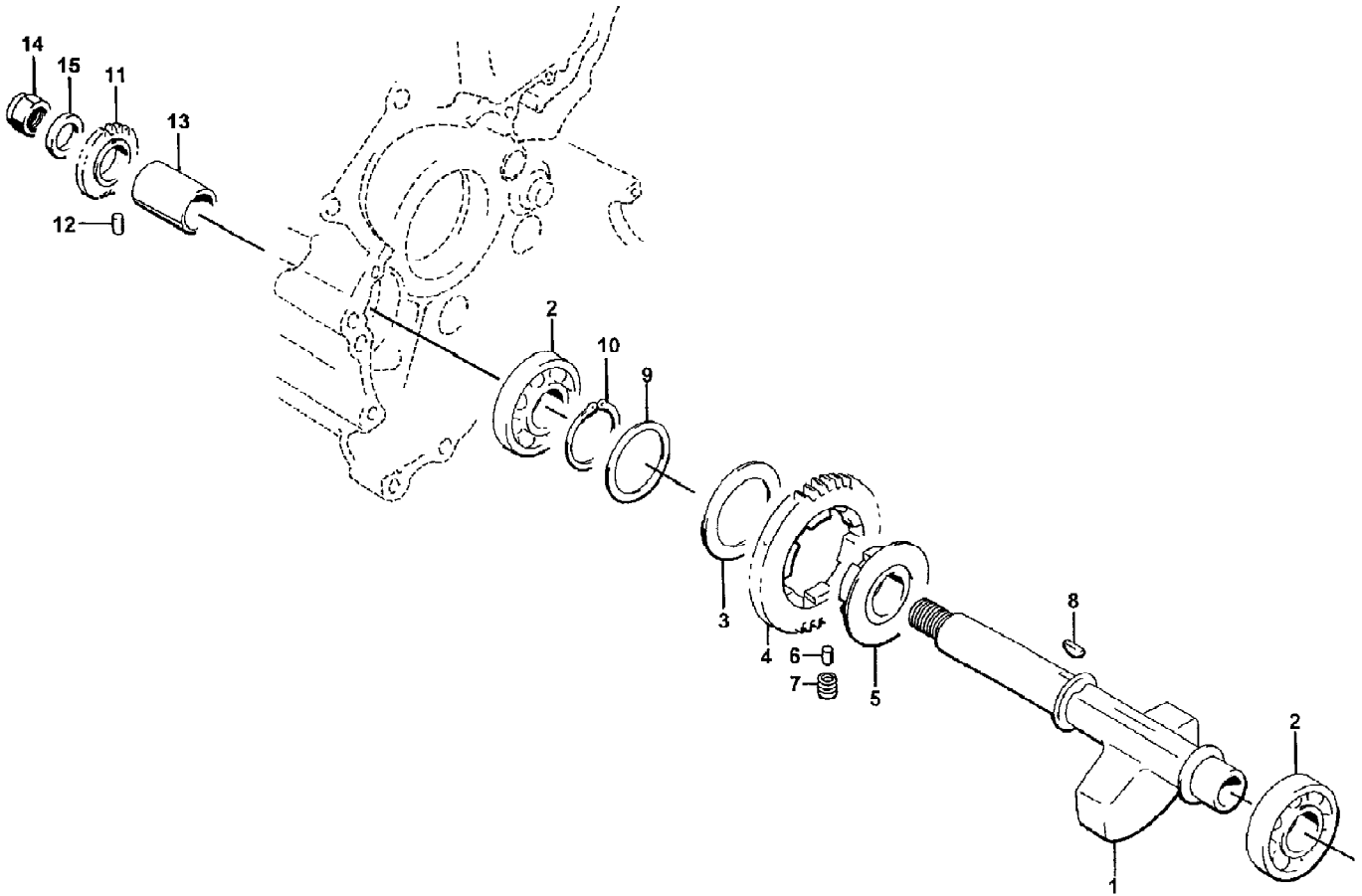
2001 400 4X4 RED (A2001ATI4AUSR) (ATV 400/500 CC MANUAL TRANSMISSION) 18 of 97  
COOLING ASSEMBLY



2001 400 4X4 RED (A2001ATI4AUSR) (ATV 400/500 CC MANUAL TRANSMISSION) 19 of 97  
 COOLING ASSEMBLY

| Ref # | Part Number | Qty | S/P/F | Description                                  |
|-------|-------------|-----|-------|--|
| 1     | 0413-007    | 1   |       | Screen, Radiator                             |
| 2     | 0423-174    | 2   |       | Clamp, Wire                                  |
| 3     | 8476-620    | 2   |       | Screw, Cap                                   |
| 4     | 0423-030    | 2   |       | Grommet                                      |
| 5     | 0423-036    | 2   |       | Collar                                       |
| 6     | 0610-016    | AR  | /P    | Hose - 25 ft                                 |
| 7     | 0413-002    | 1   | S     | Cap, Radiator                                |
| 8     | 0413-014    | 1   |       | Radiator Assembly (inc. 1, 4, 7, 10, and 21) |
| 9     | 0623-736    | 1   |       | Clamp, Hose                                  |
| 10    | 0           | 1   | F     | Radiator                                     |
| 11    | 0423-070    | 5   |       | Clamp, Hose                                  |
| 12    | 0410-002    | 1   |       | Hose, Coolant - Upper                        |
| 13    | 0413-006    | 1   |       | Blade, Fan                                   |
| 14    | 0413-004    | 1   |       | Motor, Fan                                   |
| 15    | 8474-516    | 3   |       | Screw, Machine                               |
| 16    | 0410-001    | 1   |       | Hose, Coolant - Lower                        |
| 17    | 0410-003    | 1   |       | Hose, Coolant - Crossover                    |
| 18    | 0423-101    | 4   |       | Screw, Body                                  |
| 19    | 0623-184    | 2   |       | Washer                                       |
| 20    | 0406-200    | 2   |       | Panel, Fender - Inner (400 4X4)              |
| 21    | 0413-009    | 4   |       | Screw, Thumb                                 |
| 22    | 0423-031    | 4   |       | Nut, Speed                                   |
| 23    | 0423-056    | 1   |       | Nut - Left                                   |
| 24    | 8050-252    | 1   |       | Washer                                       |
| 25    | 0423-028    | 2   |       | Bushing, Stem                                |
| 26    | 8477-616    | 4   |       | Screw, Machine                               |
| 27    | 0123-788    | 8   | /P    | Cable Tie - 7 in.                            |
| 28    | 0406-543    | 2   |       | Shroud, Fan (400 2X4 /500)                   |
| 29    | 0406-300    | 2   |       | Panel, Fender - Inner (400 2X4 /500)         |
| 30    | 8424-602    | 2   | /P    | Nut, Flange                                  |

2001 400 4X4 RED (A2001ATI4AUSR) (ATV 400/500 CC MANUAL TRANSMISSION)  
CRANK BALANCER ASSEMBLY

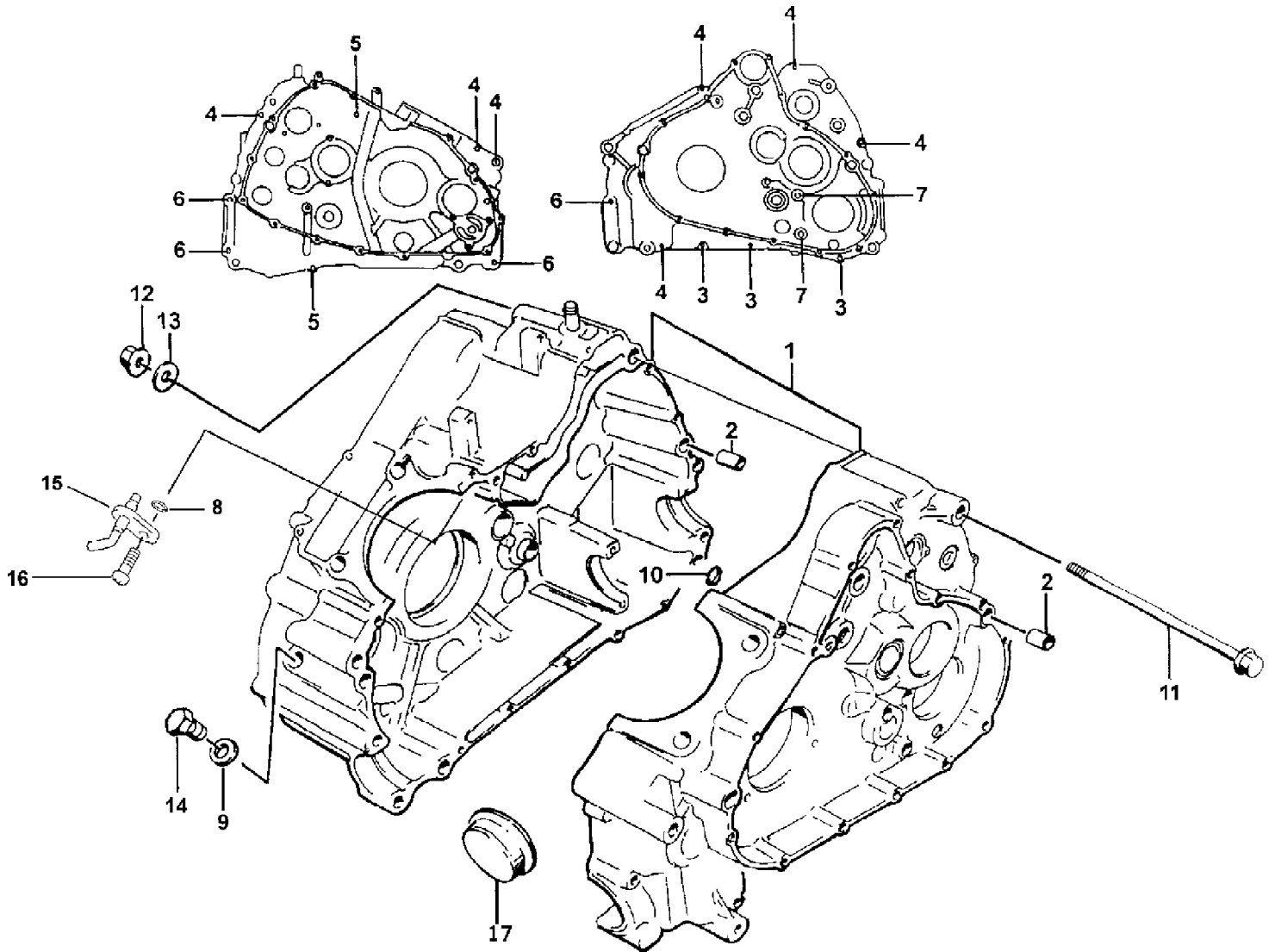




2001 400 4X4 RED (A2001ATI4AUSR) (ATV 400/500 CC MANUAL TRANSMISSION)  
 CRANK BALANCER ASSEMBLY Page 21 of 97

| Ref # | Part Number | Qty | S/P/F | Description                |
|-------|-------------|-----|-------|----------------------------|
| 1     | 3402-345    | 1   |       | Balancer, Crank (400)      |
| 1     | 3402-350    | 1   |       | Balancer, Crank (500)      |
| 2     | 3402-050    | 2   |       | Bearing                    |
| 3     | 3423-033    | 1   |       | Washer                     |
| 4     | 3402-128    | 1   |       | Gear, Driven (400)         |
| 4     | 3402-351    | 1   |       | Gear, Driven (500)         |
| 5     | 3402-129    | 1   |       | Race, Driven Gear - Inner  |
| 6     | 3423-106    | 3   | /P    | Pin                        |
| 7     | 3402-090    | 6   |       | Spring                     |
| 8     | 3004-540    | 1   | /P    | Key                        |
| 9     | 3423-107    | 1   |       | Washer                     |
| 10    | 3423-200    | 1   | /P    | Circlip                    |
| 11    | 3402-390    | 1   |       | Gear, Oil Pump Drive (400) |
| 11    | 3402-150    | 1   |       | Gear, Oil Pump Drive (500) |
| 12    | 3423-114    | 1   | /P    | Pin                        |
| 13    | 3402-151    | 1   |       | Spacer                     |
| 14    | 3423-025    | 1   |       | Nut, Lock                  |
| 15    | 3423-029    | 1   |       | Washer                     |

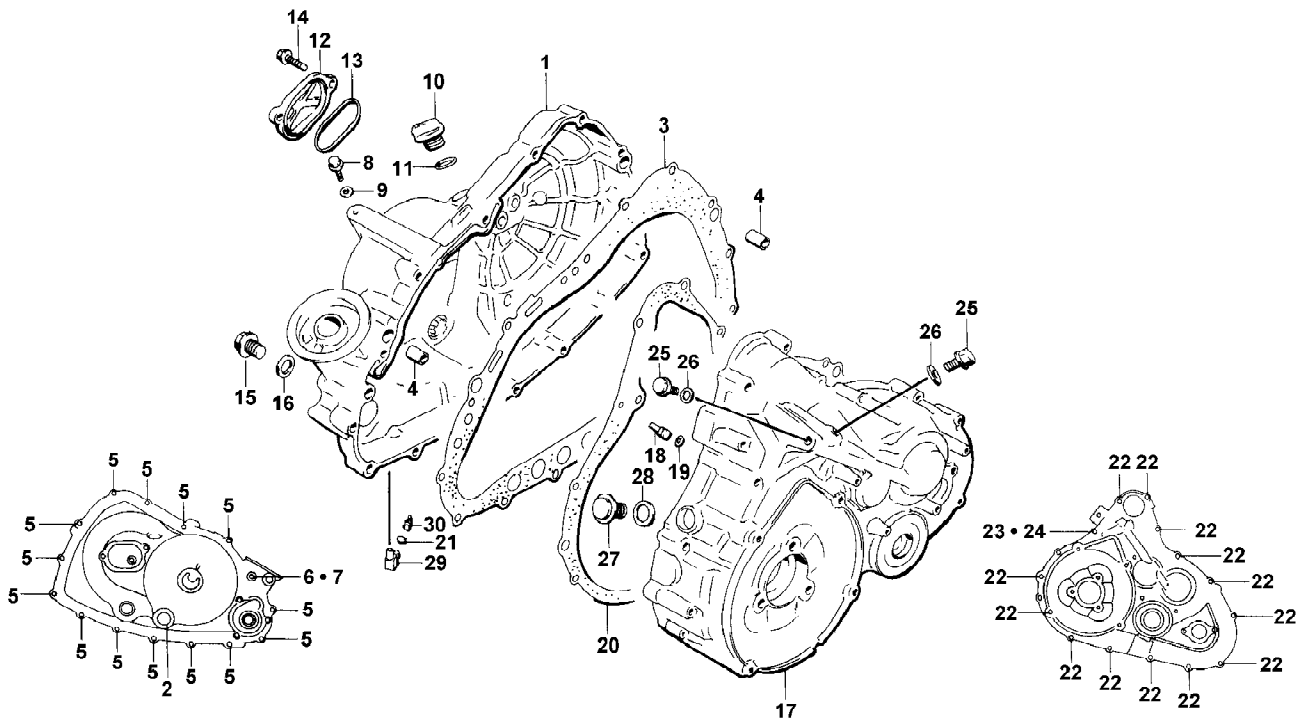
2001 400 4X4 RED (A2001ATI4AUSR) (ATV 400/500 CC MANUAL TRANSMISSION)  
CRANKCASE ASSEMBLY



2001 400 4X4 RED (A2001ATI4AUSR) (ATV 400/500 CC MANUAL TRANSMISSION)  
 CRANKCASE ASSEMBLY Page 23 of 97

| Ref # | Part Number | Qty | S/P/F | Description                                    |
|-------|-------------|-----|-------|--|
| 1     | 3402-337    | 1   |       | Crankcase Set (inc. 2-7 and 17) (400 2X4)      |
| 1     | 3402-388    | 1   | /P    | Crankcase Set (inc. 2-7) (400 4X4)             |
| 1     | 3402-366    | 1   | S     | Crankcase Set (inc. 2-8, 10, 15, and 16) (500) |
| 2     | 3423-088    | 4   |       | Pin, Dowel                                     |
| 3     | 3423-091    | 3   | S     | Screw, Cap                                     |
| 4     | 3423-092    | 7   | S     | Screw, Cap                                     |
| 5     | 3423-094    | 2   |       | Screw, Cap                                     |
| 6     | 0693-303    | 4   | S     | Screw, Cap                                     |
| 7     | 3423-093    | 2   |       | Screw, Cap                                     |
| 8     | 3423-051    | 1   |       | O-Ring (400 4X4 and 500)                       |
| 9     | 3402-011    | 1   |       | Gasket   |
| 10    | 3423-052    | 1   |       | O-Ring (500)                                   |
| 11    | 3423-009    | 3   | /P    | Screw, Cap                                     |
| 12    | 3423-024    | 3   |       | Nut  |
| 13    | 3004-278    | 3   | S/P   | Washer   |
| 14    | 3423-095    | 1   |       | Plug, Oil Gallery                              |
| 15    | 3402-369    | 1   |       | Jet, Piston Cooling (500)                      |
| 16    | 3004-552    | 1   | S     | Screw (500)                                    |
| 17    | 3423-208    | 1   |       | Plug, (400 2X4)                                |

2001 400 4X4 RED (A2001ATI4AUSR) (ATV 400/500 CC MANUAL TRANSMISSION)  
CRANKCASE COVER ASSEMBLY

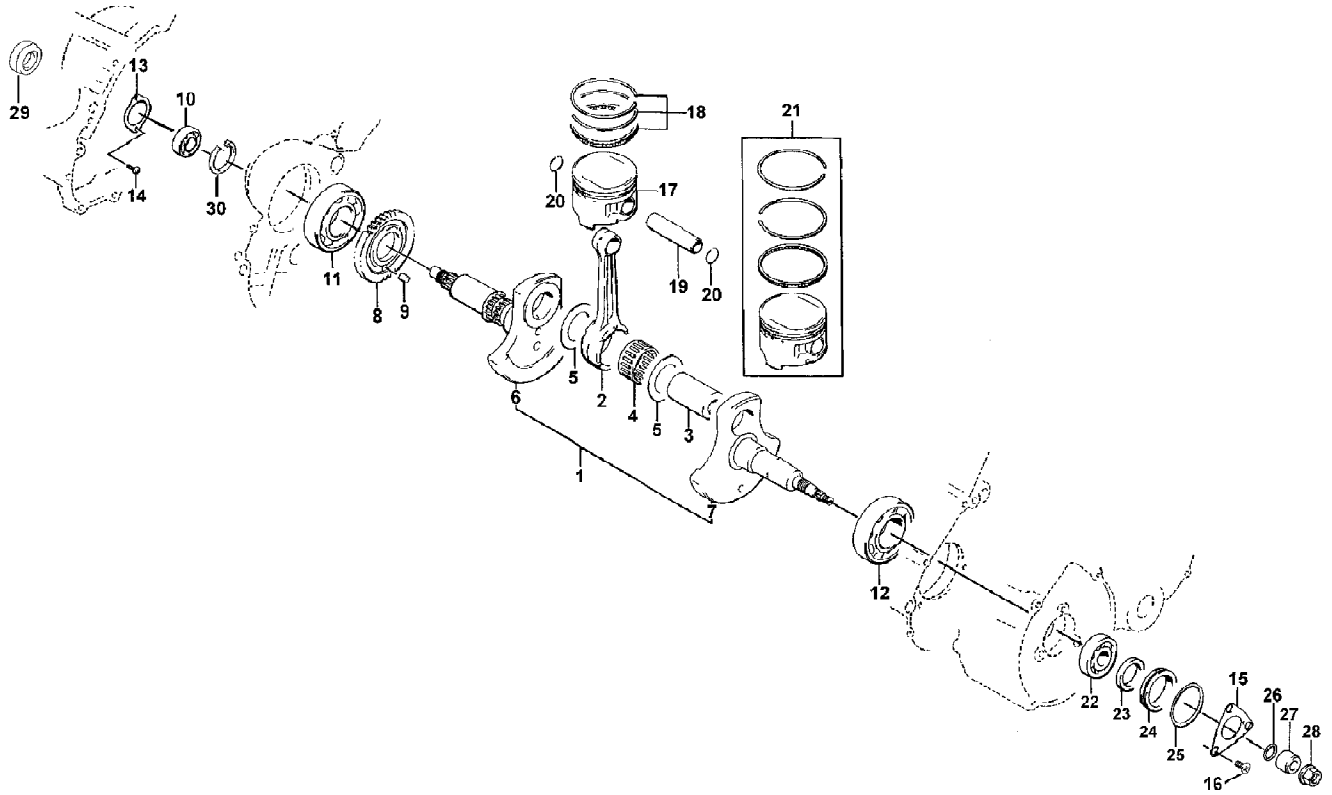


2001 400 4X4 RED (A2001ATI4AUSR) (ATV 400/500 CC MANUAL TRANSMISSION)  
CRANKCASE COVER ASSEMBLY

Page 25 of 97

| Ref # | Part Number | Qty | S/P/F | Description                            |
|-------|-------------|-----|-------|--|
| 1     | 3402-199    | 1   | /P    | Cover, Clutch (inc. 2) (400)           |
| 1     | 3402-367    | 1   |       | Cover, Clutch (inc. 2) (500)           |
| 2     | 3402-112    | 1   | /P    | Lens, Oil Inspection                   |
| 3     | 3402-108    | 1   |       | Gasket                                 |
| 4     | 3423-088    | 4   |       | Pin, Dowel                             |
| 5     | 0693-327    | 14  | S     | Screw, Cap                             |
| 6     | 3423-097    | 1   |       | Screw, Cap                             |
| 7     | 3003-290    | 1   | /P    | Gasket                                 |
| 8     | 3004-339    | 1   | S/P   | Plug, Oil Gallery                      |
| 9     | 3003-290    | 1   | /P    | Gasket                                 |
| 10    | 3402-042    | 1   |       | Cap, Engine Oil Filler                 |
| 11    | 3423-055    | 1   |       | O-Ring                                 |
| 12    | 3402-100    | 1   |       | Cap, Inspection (400)                  |
| 12    | 3402-363    | 1   |       | Cap, Inspection (500)                  |
| 13    | 3402-101    | 1   |       | O-Ring                                 |
| 14    | 3423-096    | 2   | S     | Screw, Cap                             |
| 15    | 3402-037    | 1   |       | Plug, Oil Pressure (400)               |
| 15    | 3402-214    | 1   |       | Plug, Oil Pressure (500)               |
| 16    | 3402-012    | 1   |       | Gasket                                 |
| 17    | 3402-106    | 1   |       | Cover Set, Transfer (inc. 18-19) (400) |
| 17    | 3402-368    | 1   |       | Cover Set, Transfer (inc. 18-19) (500) |
| 18    | 3402-097    | 1   |       | Jet, Oil Mission                       |
| 19    | 3423-051    | 1   |       | O-Ring                                 |
| 20    | 3402-109    | 1   | S     | Gasket                                 |
| 21    | 3423-120    | 1   |       | Clip                                   |
| 22    | 3423-098    | 13  | S     | Screw, Cap                             |
| 23    | 3423-092    | 1   | S     | Screw, Cap                             |
| 24    | 3003-290    | 1   | /P    | Gasket                                 |
| 25    | 3004-705    | 2   | S     | Plug, Oil Gallery (400)                |
| 25    | 3423-348    | 2   |       | Plug, Oil Gallery (500)                |
| 26    | 3005-242    | 2   |       | Gasket                                 |
| 27    | 3402-041    | 1   | S     | Plug, Allen-Head                       |
| 28    | 3402-013    | 1   | /P    | Gasket                                 |
| 29    | 3413-009    | 1   |       | Union, Water Drain                     |
| 30    | 3413-008    | 1   |       | Hose                                   |

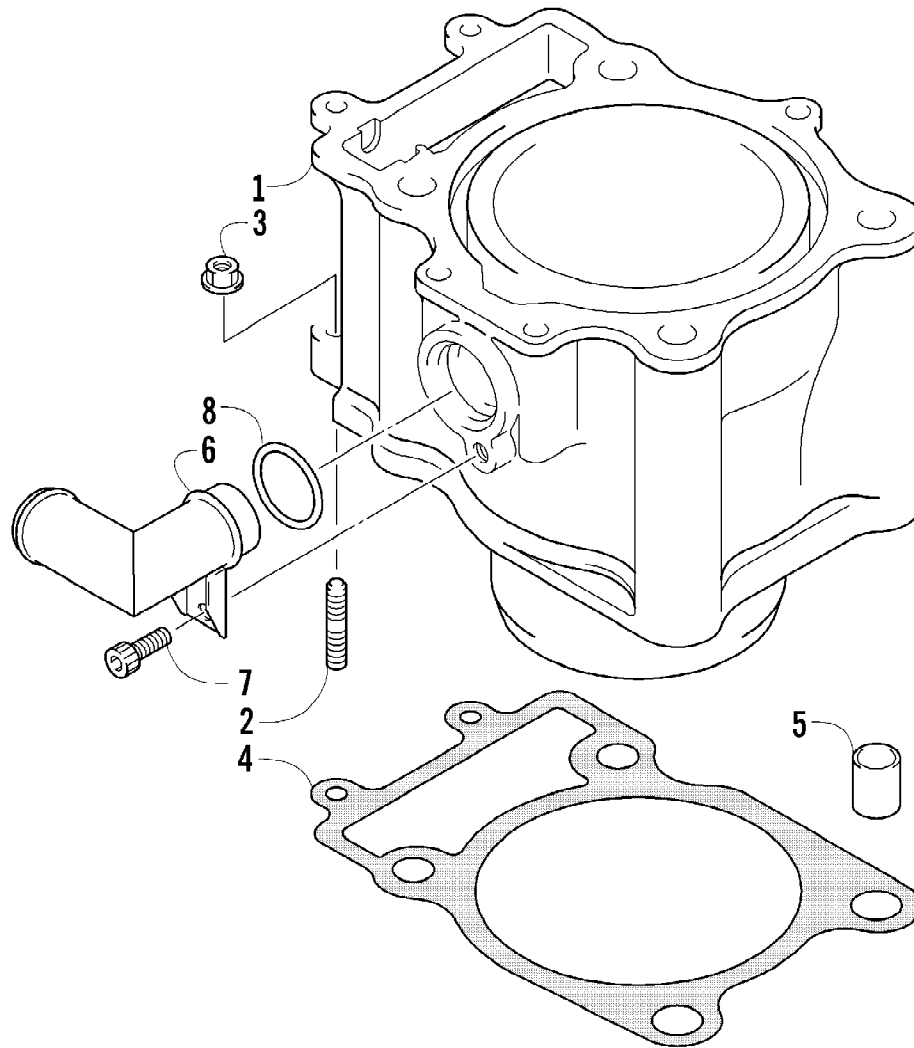
2001 400 4X4 RED (A2001ATI4AUSR) (ATV 400/500 CC MANUAL TRANSMISSION)  
CRANKSHAFT ASSEMBLY



2001 400 4X4 RED (A2001ATI4AUSR) (ATV 400/500 CC MANUAL TRANSMISSION)  
CRANKSHAFT ASSEMBLY

| Ref # | Part Number | Qty | S/P/F | Description                                 |
|-------|-------------|-----|-------|---|
| 1     | 3402-339    | 1   |       | Crankshaft Assembly (inc. 2-9) (400)        |
| 1     | 3402-372    | 1   |       | Crankshaft Assembly (inc. 2-9) (500)        |
| 2     | 3402-341    | 1   |       | Rod, Connecting (400)                       |
| 2     | 3402-376    | 1   |       | Rod, Connecting (500)                       |
| 3     | 3402-116    | 1   |       | Pin, Crank (400)                            |
| 3     | 3402-377    | 1   |       | Pin, Crank (500)                            |
| 4     | 3402-064    | 1   |       | Bearing (400)                               |
| 4     | 3402-386    | 1   | S     | Bearing (500)                               |
| 5     | 3423-030    | 2   |       | Washer (400)                                |
| 5     | 3423-351    | 2   |       | Washer (500)                                |
| 6     | 3402-342    | 1   |       | Crankshaft Set - Right (inc. 8-9) (400)     |
| 6     | 3402-378    | 1   |       | Crankshaft Set - Right (inc. 8-9) (500)     |
| 7     | 3402-343    | 1   |       | Crankshaft - Left (400)                     |
| 7     | 3402-379    | 1   |       | Crankshaft - Left (500)                     |
| 8     | 0           | 1   | F     | Gear, Balancer Drive                        |
| 9     | 0           | 1   | F     | Pin   |
| 10    | 3402-044    | 1   |       | Bearing - Right (400)                       |
| 10    | 3402-384    | 1   |       | Bearing - Right (500)                       |
| 11    | 3402-058    | 1   |       | Bearing - Center                            |
| 12    | 3402-054    | 1   |       | Bearing - Left                              |
| 13    | 3402-120    | 1   |       | Retainer, Bearing - Right (400)             |
| 13    | 3423-355    | 1   |       | Retainer, Bearing - Right (500)             |
| 14    | 3423-017    | 2   |       | Screw, Cap (400)                            |
| 15    | 3402-188    | 1   | /P    | Retainer, Oil Seal - Left                   |
| 16    | 3423-018    | 3   |       | Screw, Cap                                  |
| 17    | 3402-340    | 1   |       | Piston (400)                                |
| 17    | 3402-373    | 1   |       | Piston (500)                                |
| 18    | 3402-114    | 1   |       | Ring Set, Piston (400)                      |
| 18    | 3436-009    | 1   | /P    | Ring Set, Piston (Oversized 0.50 mm) (400)  |
| 18    | 3436-010    | 1   | /P    | Ring Set, Piston (Oversized 1.00 mm) (400)  |
| 18    | 3402-374    | 1   |       | Ring Set, Piston (500)                      |
| 19    | 3402-110    | 1   |       | Pin (400)                                   |
| 19    | 3402-375    | 1   |       | Pin (500)                                   |
| 20    | 3423-069    | 2   |       | Circlip (400)                               |
| 20    | 3423-344    | 2   |       | Circlip (500)                               |
| 21    | 3402-430    | 1   |       | Piston Assembly (inc. 17, 18, and 20) (400) |
| 21    | 3402-346    | 1   |       | Piston Set (Oversized 0.50 mm) (400)        |
| 21    | 3402-347    | 1   |       | Piston Set (Oversized 1.00 mm) (400)        |
| 21    | 3402-431    | 1   |       | Piston Assembly (inc. 17, 18, and 20) (500) |
| 22    | 3402-051    | 1   |       | Bearing                                     |
| 23    | 3402-070    | 1   |       | Seal, Oil                                   |
| 24    | 3402-119    | 1   | S     | Spacer                                      |
| 25    | 3423-063    | 1   |       | O-Ring                                      |
| 26    | 3423-053    | 1   | /P    | O-Ring                                      |
| 27    | 3402-348    | 1   |       | Spacer, Bearing - Left                      |
| 28    | 3004-491    | 1   | S/P   | Nut   |
| 29    | 3402-387    | 1   |       | Seal, Oil                                   |
| 30    | 3423-355    | 1   |       | Circlip                                     |

2001 400 4X4 RED (A2001ATI4AUSR) (ATV 400/500 CC MANUAL TRANSMISSION) 28 of 97  
CYLINDER ASSEMBLY





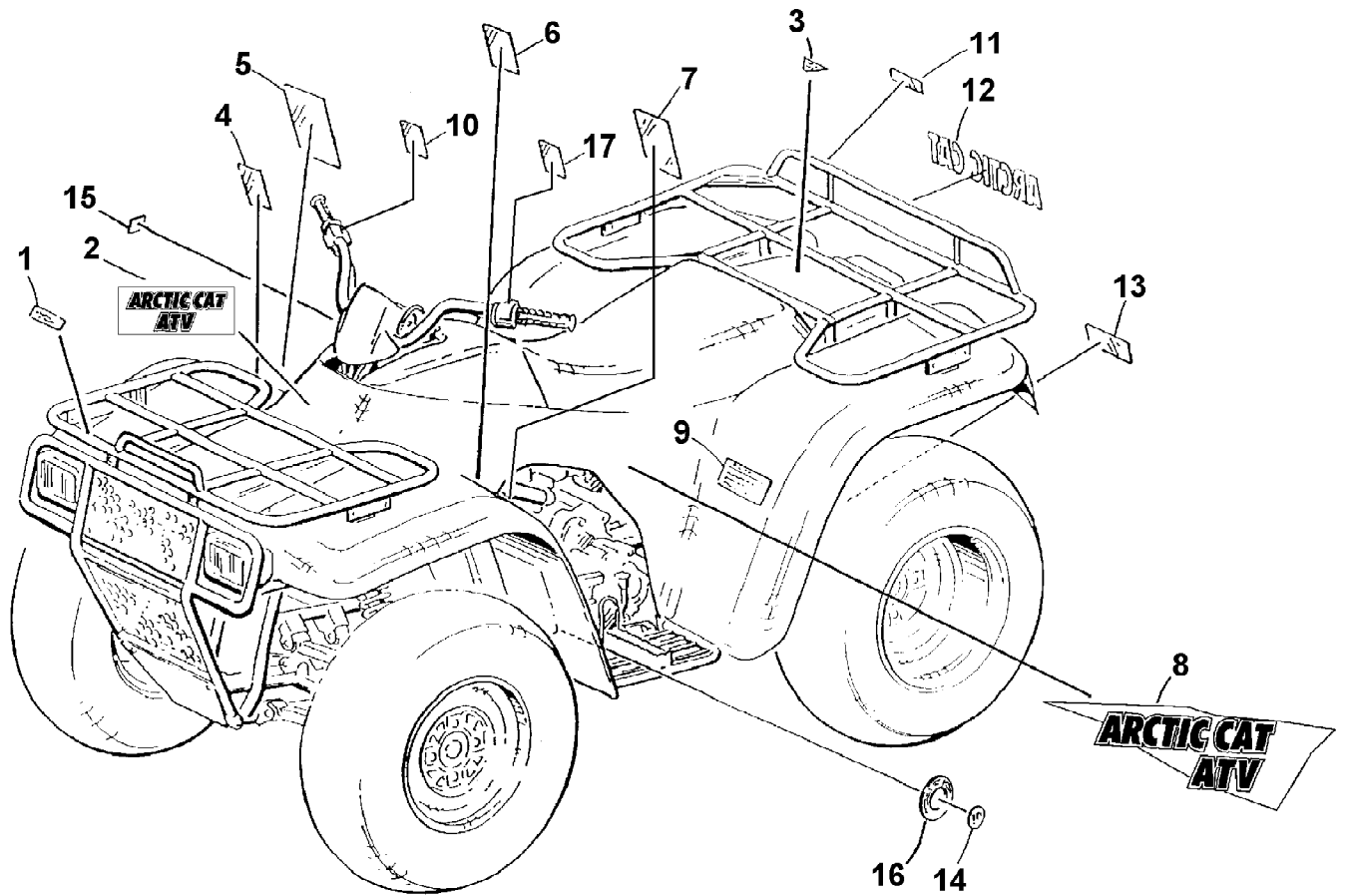
2001 400 4X4 RED (A2001ATI4AUSR) (ATV 400/500 CC MANUAL TRANSMISSION)  
CYLINDER ASSEMBLY Page 29 of 97

| Ref # | Part Number | Qty | S/P/F | Description            |
|-------|-------------|-----|-------|------------------------|
| 1     | 3402-102    | 1   |       | Cylinder (400)         |
| 1     | 3402-364    | 1   |       | Cylinder (500)         |
| 2     | 3423-090    | 2   |       | Bolt, Stud             |
| 3     | 3004-488    | 2   | S/P   | Nut                    |
| 4     | 3402-103    | 1   | S     | Gasket, Cylinder (400) |
| 4     | 3402-365    | 1   | /P    | Gasket, Cylinder (500) |
| 5     | 3423-088    | 2   |       | Pin, Dowel             |
| 6     | 3413-006    | 1   |       | Union, Water Hose      |
| 7     | 3423-121    | 1   | S     | Screw, Cap             |
| 8     | 3423-058    | 1   |       | O-Ring                 |



2001 400 4X4 RED (A2001ATI4AUSR) (ATV 400/500 CC MANUAL TRANSMISSION)  
CYLINDER HEAD ASSEMBLY

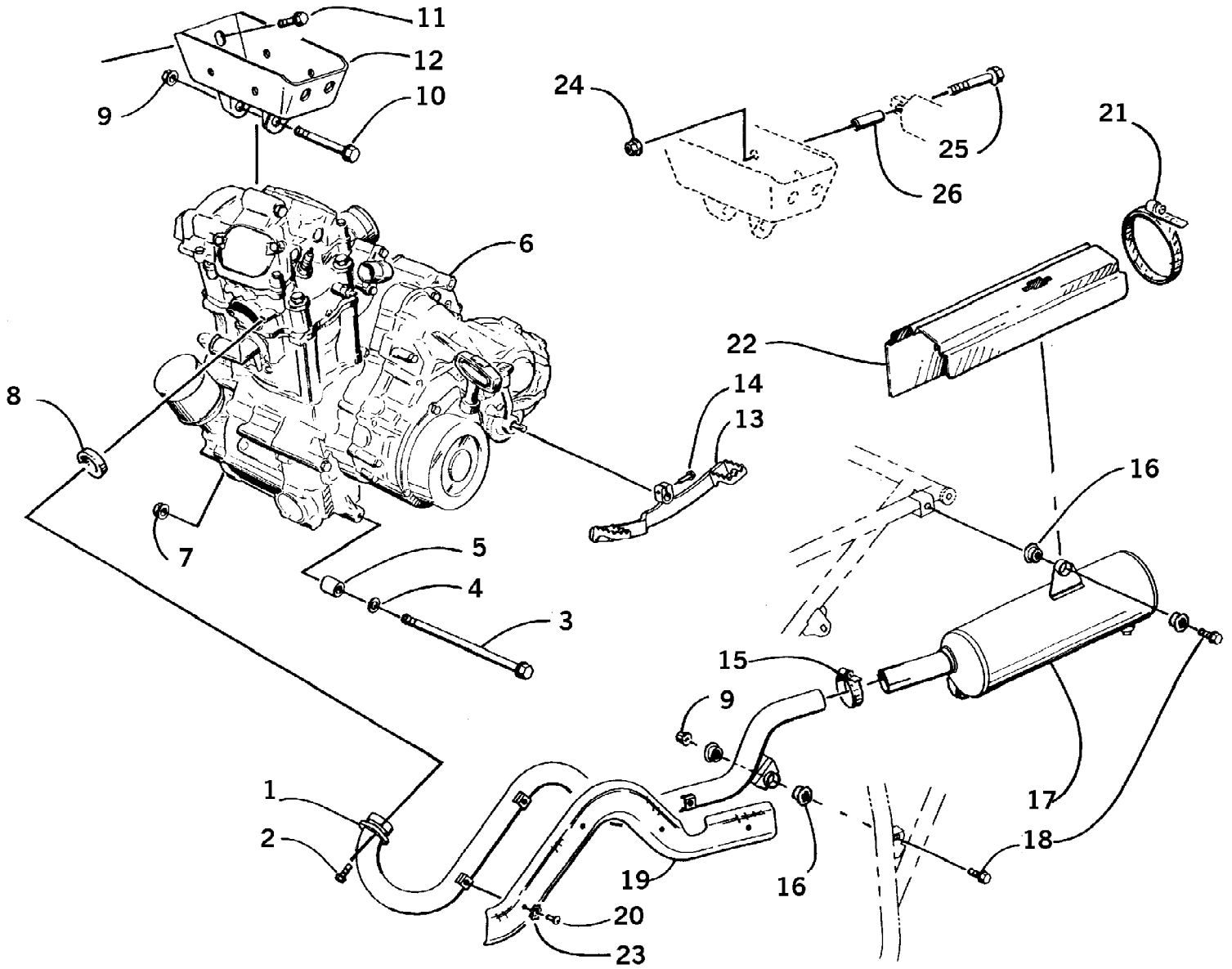
| Ref # | Part Number | Qty | S/P/F | Description                                   |
|-------|-------------|-----|-------|---|
|       | 3402-107    | 1   | S     | Complete Gasket Set - 400 cc; 3402-370 500 cc |
| 1     | 3402-098    | 1   |       | Head, Cylinder - Assembly (inc. 2-6) (400)    |
| 1     | 3402-361    | 1   |       | Head, Cylinder - Assembly (inc. 2-6) (500)    |
| 2     | 3402-099    | 4   |       | Guide, Valve                                  |
| 3     | 3423-068    | 4   |       | Circlip                                       |
| 4     | 3423-043    | 2   | /P    | Pin, Dowel                                    |
| 5     | 3423-006    | 4   |       | Screw, Cap                                    |
| 6     | 3008-376    | 2   | S     | Screw, Cap                                    |
| 7     | 3402-163    | 1   |       | Gasket, Cylinder Head (400)                   |
| 7     | 3402-362    | 1   |       | Gasket, Cylinder Head (500)                   |
| 8     | 3423-088    | 2   |       | Pin, Dowel                                    |
| 9     | 3423-015    | 2   |       | Screw, Cap                                    |
| 10    | 3423-016    | 2   |       | Screw, Cap                                    |
| 11    | 3423-089    | 2   | S     | Bolt, Stud                                    |
| 12    | 3423-087    | 2   | S     | Bolt, Stud                                    |
| 13    | 3423-203    | 1   | S/P   | Bolt, Stud                                    |
| 14    | 3423-007    | 2   | S     | Screw, Cap                                    |
| 15    | 3004-376    | 4   | S/P   | Screw, Cap                                    |
| 16    | 3004-488    | 4   | S/P   | Nut   |
| 17    | 3004-326    | 1   | S/P   | Nut   |
| 18    | 3003-290    | 4   | /P    | Gasket  |
| 19    | 3402-010    | 4   |       | Gasket, Head Nut                              |
| 20    | 0217-632    | 1   |       | Spark Plug (NGKCR6E)                          |
| 21    | 3402-100    | 2   |       | Cap, Inspection                               |
| 22    | 3402-101    | 2   |       | O-Ring  |
| 23    | 3004-341    | 4   | S/P   | Screw, Cap                                    |
| 24    | 3402-035    | 1   |       | Plug, Cylinder Head                           |
| 25    | 3402-149    | 1   |       | Pipe, Intake - Assembly (inc. 26) (400)       |
| 25    | 3402-357    | 1   |       | Pipe, Intake - Assembly (500)                 |
| 25    | 3402-358    | 1   |       | Pipe, Intake - Assembly (500)                 |
| 26    | 3423-332    | 1   | /P    | O-Ring (400)                                  |
| 26    | 3423-353    | 1   | /P    | O-Ring (500)                                  |
| 27    | 3423-019    | 2   |       | Screw, Cap (400)                              |
| 27    | 3423-347    | 2   |       | Screw, Cap (500)                              |
| 28    | 3402-086    | 2   | /P    | Clamp   |
| 29    | 3004-341    | 2   | S/P   | Screw, Cap (400)                              |
| 29    | 3004-341    | 1   | S/P   | Screw, Cap (500)                              |
| 30    | 3413-005    | 1   | S     | Thermostat (400)                              |
| 30    | 3413-012    | 1   |       | Thermostat (500)                              |
| 31    | 3430-038    | 1   | S     | Switch, Water Temperature - Assembly (400)    |
| 31    | 3530-005    | 1   |       | Switch, Water Temperature - Assembly (500)    |
| 32    | 3413-004    | 1   |       | Cover, Thermostat                             |
| 33    | 3423-354    | 1   |       | Stud, Thermostat Cover (500)                  |
| 34    | 3423-349    | 1   |       | Nut (500)                                     |
| 35    | 0470-412    | 1   |       | Tube, Intake                                  |
| 36    | 3402-048    | 1   | F     | Plug, Frost                                   |



2001 400 4X4 RED (A2001ATI4AUSR) (ATV 400/500 CC MANUAL TRANSMISSION)  
DECALS

| Ref # | Part Number | Qty | S/P/F | Description                              |
|-------|-------------|-----|-------|--|
| 1     | 0411-098    | 1   |       | Decal, Warning - Front Rack Load (2X4)   |
| 1     | 0411-006    | 1   |       | Decal, Warning - Front Rack Load (4X4)   |
| 2     | 0411-299    | 1   |       | Decal, Front (2X4) (Red)                 |
| 2     | 0411-298    | 1   |       | Decal, Front (2X4) (Green)               |
| 2     | 0411-301    | 1   |       | Decal, Front (4X4) (Red)                 |
| 2     | 0411-300    | 1   |       | Decal, Front (4X4) (Green)               |
| 3     | 3611-002    | 1   |       | Decal, "Made In U.S.A."                  |
| 4     | 0411-045    | 1   |       | Decal, Warning - Turn                    |
| 5     | 0411-008    | 1   | /P    | Decal, Warning Reverse/Pre-Ride          |
| 6     | 0411-040    | 1   |       | Decal, Warning - Age                     |
| 7     | 0411-218    | 1   |       | Decal, Warning - General                 |
| 8     | 0411-314    | 1   |       | Decal, "400" - Right Side (Red)          |
| 8     | 0411-315    | 1   |       | Decal, "400" - Left Side (Red)           |
| 8     | 0411-312    | 1   |       | Decal, "400" - Right Side (Green)        |
| 8     | 0411-313    | 1   |       | Decal, "400" - Left Side (Green)         |
| 8     | 0411-318    | 1   |       | Decal, "500" - Right Side (Red)          |
| 8     | 0411-319    | 1   |       | Decal, "500" - Left Side (Red)           |
| 8     | 0411-316    | 1   |       | Decal, "500" - Right Side (Green)        |
| 8     | 0411-317    | 1   |       | Decal, "500" - Left Side (Green)         |
| 9     | 0411-226    | 1   |       | Decal, Warning - Tire Pressure (400 2X4) |
| 9     | 0411-227    | 1   |       | Decal, Warning - Tire Pressure (400 4X4) |
| 9     | 0411-228    | 1   |       | Decal, Warning - Tire Pressure (500)     |
| 10    | 0411-324    | 1   |       | Decal, Instruction - Start in Gear       |
| 11    | 0411-099    | 1   |       | Decal, Warning - Rear Rack Load (2X4)    |
| 11    | 0411-007    | 1   |       | Decal, Warning - Rear Rack Load (4X4)    |
| 12    | 0411-043    | 1   | /P    | Decal, "Arctic Cat"                      |
| 13    | 0411-268    | 1   |       | Decal, Warning - Towing (2X4)            |
| 13    | 0411-267    | 1   |       | Decal, Warning - Towing (4X4)            |
| 14    | 0411-003    | 1   |       | Decal, Shift Pattern                     |
| 15    | 0411-011    | 1   |       | Decal, Caution - Electrical              |
| 16    | 0411-009    | 1   |       | Decal, Hi/Low Range                      |
| 17    | 0411-325    | 1   |       | Decal, Instruction - Choke               |

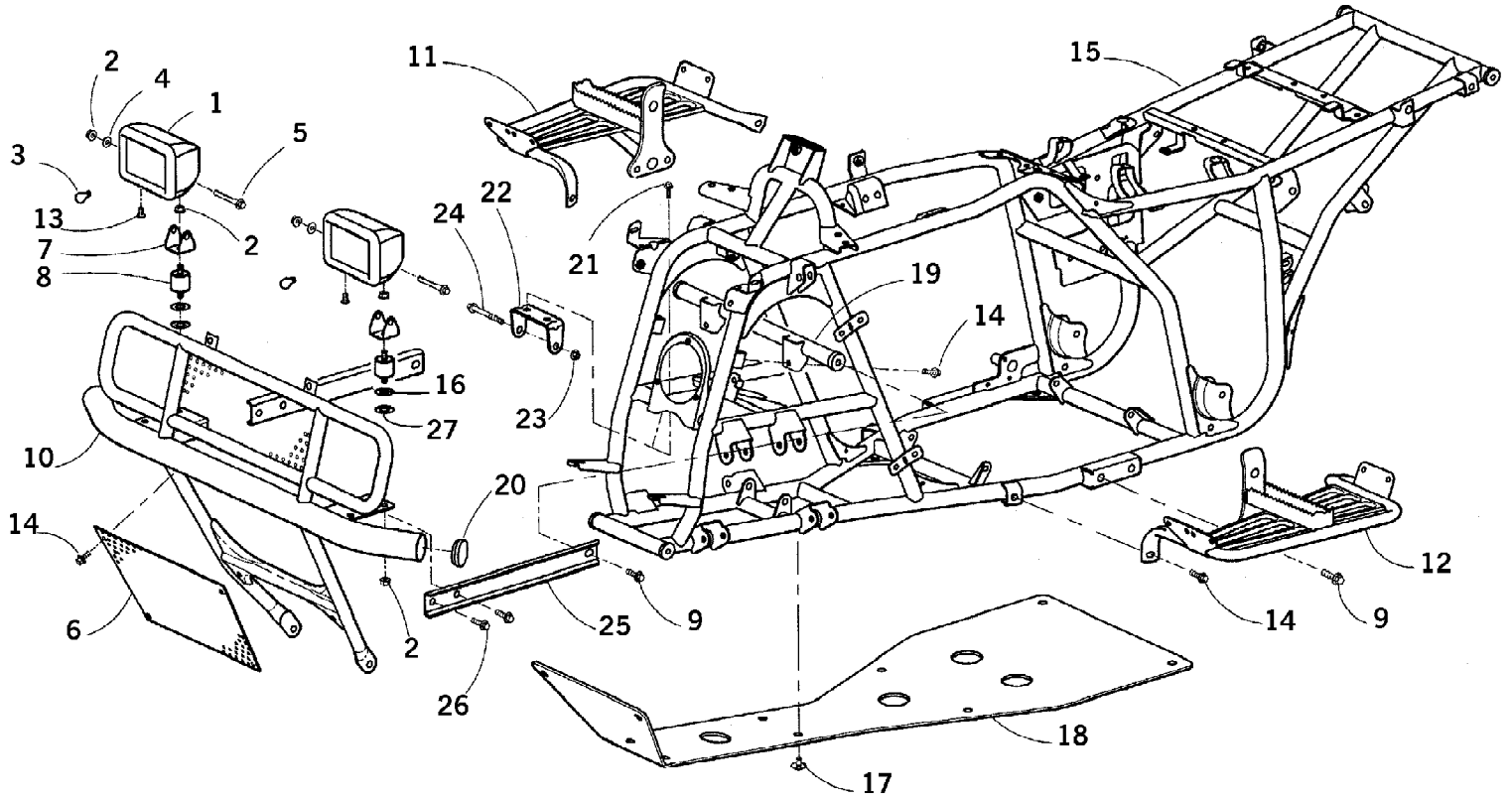
2001 400 4X4 RED (A2001ATI4AUSR) (ATV 400/500 CC MANUAL TRANSMISSION) 34 of 97  
ENGINE AND EXHAUST



2001 400 4X4 RED (A2001ATI4AUSR) (ATV 400/500 CC MANUAL TRANSMISSION)  
ENGINE AND EXHAUST

| Ref # | Part Number | Qty | S/P/F | Description                   |
|-------|-------------|-----|-------|-------------------------------|
| 1     | 0512-001    | 1   |       | Pipe, Exhaust                 |
| 2     | 8408-820    | 2   | /P    | Screw, Cap                    |
| 3     | 3423-009    | 2   | /P    | Screw, Cap                    |
| 4     | 0423-050    | 3   |       | Washer, Engine                |
| 5     | 0423-042    | 1   | S     | Spacer, Engine                |
| 6     | 0462-008    | 1   |       | Engine (400 2X4)              |
| 6     | 0462-010    | 1   |       | Engine (400 4X4)              |
| 6     | 0462-011    | 1   | S     | Engine (500)                  |
| 7     | 8428-002    | 3   |       | Nut, Lock                     |
| 8     | 0412-007    | 1   | /P    | Seal, Exhaust                 |
| 9     | 8424-802    | 3   |       | Nut                           |
| 10    | 8408-860    | 1   |       | Screw, Cap                    |
| 11    | 8408-816    | 4   |       | Screw, Cap                    |
| 12    | 0506-083    | 1   |       | Bracket, Engine - Upper       |
| 13    | 0502-084    | 1   | /P    | Lever, Shift                  |
| 14    | 8476-620    | 1   |       | Screw, Cap                    |
| 15    | 0423-150    | 1   |       | Clamp, Exhaust                |
| 16    | 0412-033    | 6   |       | Bushing, Exhaust              |
| 17    | 0412-056    | 1   | S     | Muffler                       |
| 18    | 0423-106    | 3   |       | Screw, Machine - Shoulder     |
| 19    | 0406-224    | 1   |       | Cover, Exhaust                |
| 20    | 8477-610    | 4   |       | Screw, Machine                |
| 21    | 0423-079    | 2   |       | Clamp, Hose                   |
| 22    | 0406-298    | 1   |       | Plate, Heat - Muffler         |
| 23    | 8053-211    | 4   | S     | Washer, Lock - External Tooth |
| 24    | 8424-602    | 2   | /P    | Nut, Flange                   |
| 25    | 8476-640    | 2   |       | Screw, Cap                    |
| 26    | 0107-630    | 2   |       | Spacer                        |

2001 400 4X4 RED (A2001ATI4AUSR) (ATV 400/500 CC MANUAL TRANSMISSION) 36 of 97  
FRAME AND RELATED PARTS

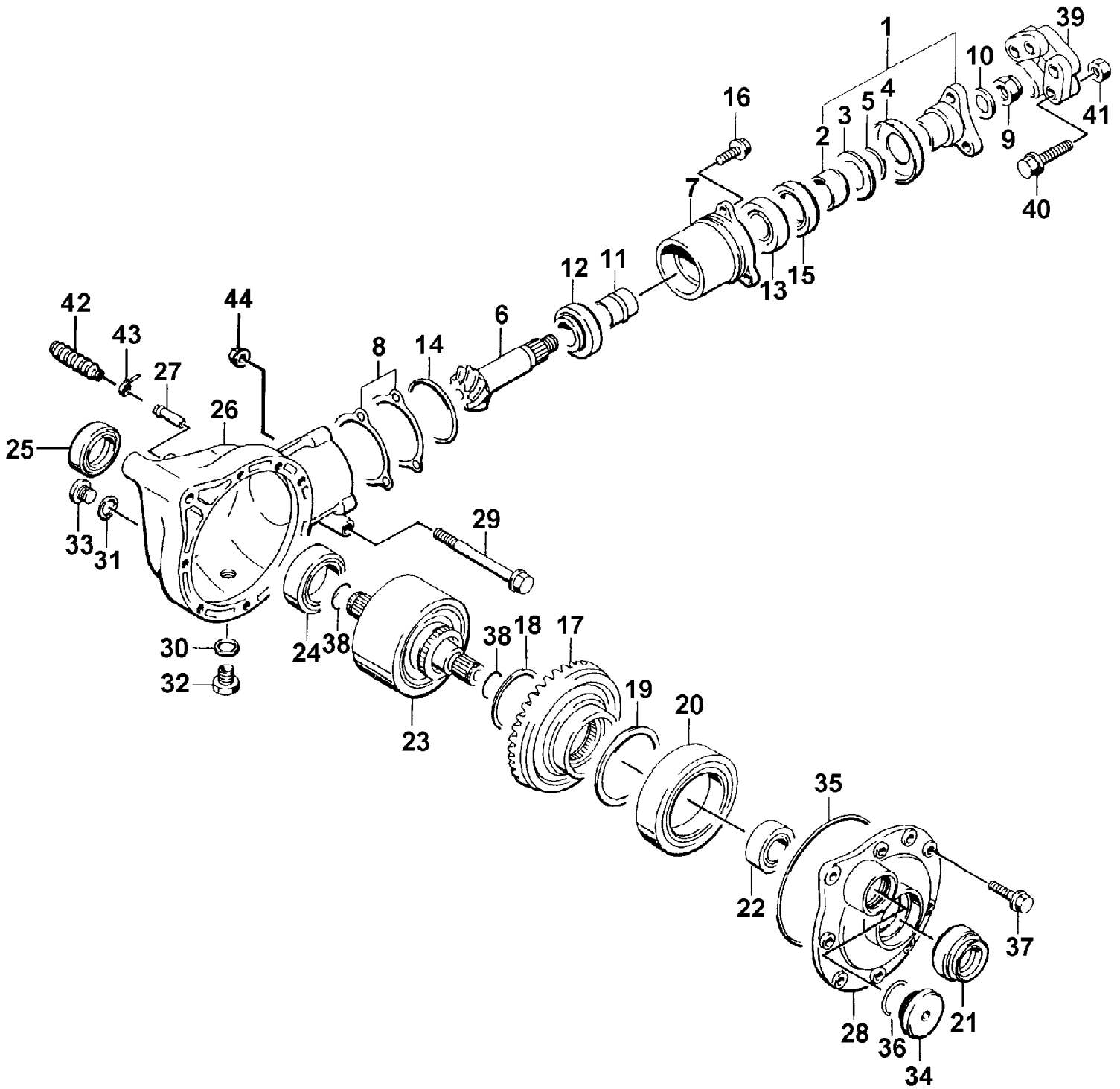




2001 400 4X4 RED (A2001ATI4AUSR) (ATV 400/500 CC MANUAL TRANSMISSION) 37 of 97  
FRAME AND RELATED PARTS

| Ref # | Part Number | Qty | S/P/F | Description                        |
|-------|-------------|-----|-------|------------------------------------|
| 1     | 0409-001    | 2   |       | Headlight Assembly (inc. 3 and 13) |
| 2     | 8424-802    | 6   |       | Nut                                |
| 3     | 0409-005    | 2   |       | Bulb, Headlight                    |
| 4     | 8053-242    | 2   | /P    | Washer, Lock - External Tooth      |
| 5     | 8408-850    | 2   |       | Screw, Cap                         |
| 6     | 0406-390    | 1   |       | Screen, Bumper - Lower (400)       |
| 6     | 0406-175    | 1   |       | Screen, Bumper - Lower (500)       |
| 7     | 0406-261    | 2   |       | Yoke, Headlight                    |
| 8     | 0406-762    | 2   | /P    | Mount, Headlight                   |
| 9     | 8409-020    | 8   | /P    | Screw, Cap                         |
| 10    | 0506-192    | 1   |       | Guard, Brush (400)                 |
| 10    | 0506-410    | 1   |       | Guard, Brush (500)                 |
| 11    | 0506-176    | 1   | S     | Footrest - Right                   |
| 12    | 0506-381    | 1   | S     | Footrest - Left                    |
| 13    | 0123-590    | 2   |       | Screw, Machine                     |
| 14    | 8408-816    | AR  |       | Screw, Cap                         |
| 15    | 0506-481    | 1   | S     | Frame, Main                        |
| 16    | 3423-204    | 2   | /P    | Washer                             |
| 17    | 0423-101    | AR  |       | Screw, Body                        |
| 18    | 0406-354    | 1   | /P    | Panel, Belly                       |
| 19    | 0506-079    | 1   |       | Tube, Cross - Bumper (500)         |
| 20    | 0406-130    | 2   |       | Cap, Bumper (500)                  |
| 21    | 8408-820    | 2   | /P    | Screw, Cap (4X4)                   |
| 22    | 0506-149    | 1   |       | Bracket, Differential (4X4)        |
| 23    | 8428-002    | 2   |       | Nut, Lock (4X4)                    |
| 24    | 3423-010    | 2   | /P    | Screw, Cap (4X4)                   |
| 25    | 0506-297    | 2   | S     | Channel, Bumper Mounting (500)     |
| 26    | 8408-812    | AR  |       | Screw, Cap                         |
| 27    | 0623-710    | 2   |       | Washer, Lock - High Collar         |

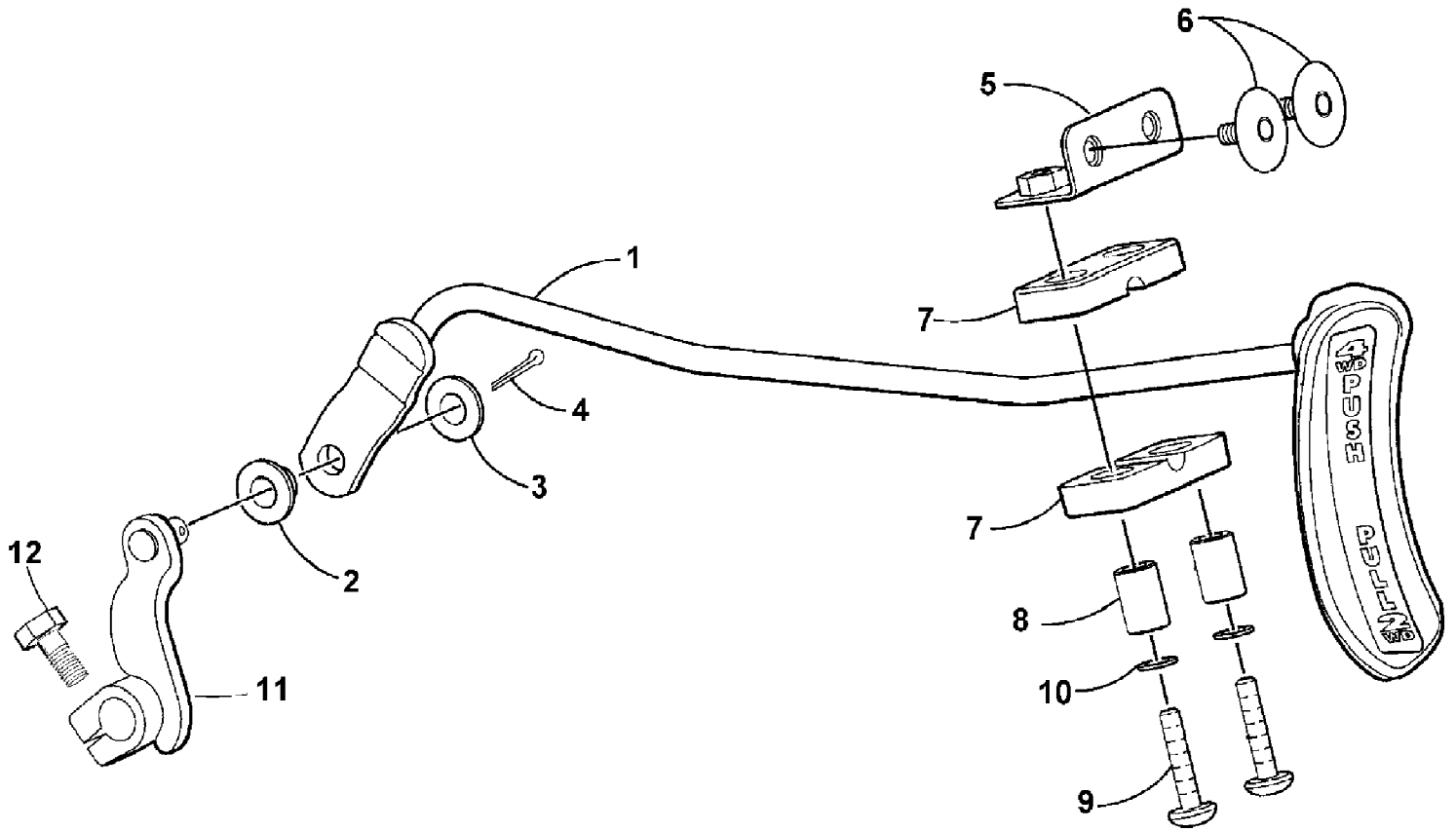
2001 400 4X4 RED (A2001ATI4AUSR) (ATV 400/500 CC MANUAL TRANSMISSION)  
FRONT BEVEL GEAR ASSEMBLY (400 cc 4X4)



2001 400 4X4 RED (A2001ATI4AUSR) (ATV 400/500 CC MANUAL TRANSMISSION)  
FRONT BEVEL GEAR ASSEMBLY (400 cc 4X4)

Page 39 of 97

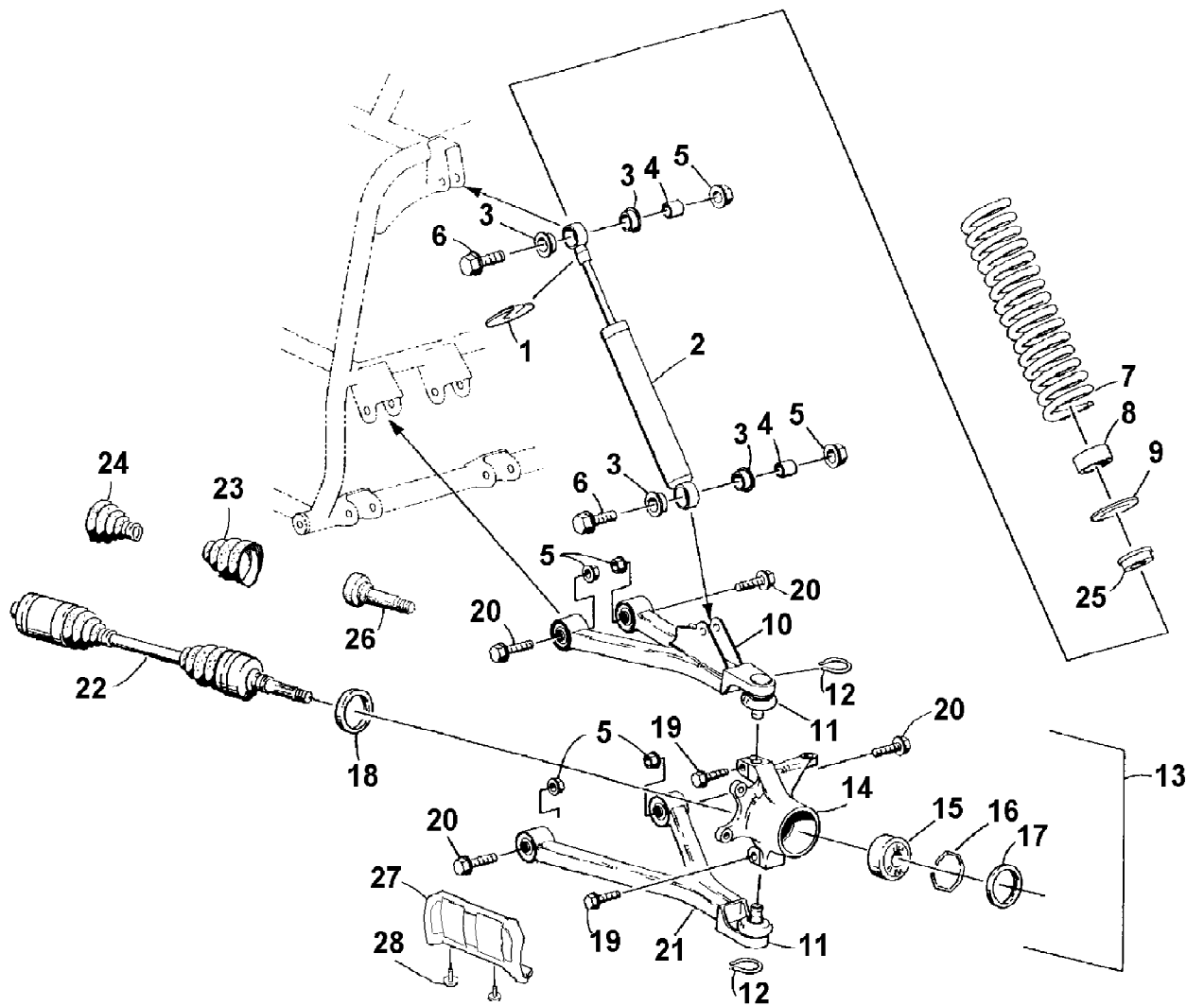
| Ref # | Part Number | Qty | S/P/F | Description                        |
|-------|-------------|-----|-------|------------------------------------|
|       | 3402-004    | 1   | /P    | Complete Assembly                  |
| 1     | 3435-089    | 1   | /P/F  | Flange, Gear (inc. 2-5)            |
| 2     | 3435-029    | 1   | F     | Collar, Gear                       |
| 3     | 3435-030    | 1   | F     | Plate, Oil Seal                    |
| 4     | 3423-034    | 1   | F     | Plate, Gear                        |
| 5     | 3423-060    | 1   | F     | O-Ring, Collar                     |
| 6     | 3435-086    | 1   |       | Gear, Bevel                        |
| 7     | 3435-021    | 1   |       | Housing, Bevel Gear                |
| 8     | 3435-022    | 1   |       | Shim Set, Housing                  |
| 9     | 3423-178    | 1   | /P/F  | Nut, Gear                          |
| 10    | 3423-028    | 1   | F     | Washer, Bevel Gear                 |
| 11    | 3402-016    | 1   |       | Spacer, Bevel Gear                 |
| 12    | 3402-065    | 1   |       | Bearing                            |
| 13    | 3402-066    | 1   | /P    | Bearing                            |
| 14    | 3423-064    | 1   |       | O-Ring                             |
| 15    | 3402-072    | 1   |       | Seal, Joint                        |
| 16    | 3423-175    | 3   | S     | Bolt, Housing                      |
| 17    | 3435-087    | 1   |       | Gear                               |
| 18    | 3435-017    | 1   |       | Shim Set                           |
| 19    | 3435-020    | 1   |       | Shim Set                           |
| 20    | 3402-059    | 1   |       | Bearing                            |
| 21    | 3402-072    | 1   |       | Seal - Left                        |
| 22    | 3402-185    | 1   |       | Bearing - Left                     |
| 23    | 3435-013    | 1   |       | Differential - Assembly            |
| 24    | 3402-057    | 1   |       | Bearing, Differential Case - Right |
| 25    | 3402-072    | 1   |       | Seal, Output Oil                   |
| 26    | 3435-024    | 1   |       | Housing (inc. 27)                  |
| 27    | 3402-084    | 1   |       | Union, Breather                    |
| 28    | 3435-025    | 1   |       | Case, Bearing                      |
| 29    | 3423-010    | 2   | /P    | Bolt, Mounting                     |
| 30    | 3402-012    | 1   |       | Gasket, Oil Drain Plug             |
| 31    | 3402-013    | 1   | /P    | Gasket, Oil Filler Plug            |
| 32    | 3402-036    | 1   | S     | Plug, Oil Drain                    |
| 33    | 3402-041    | 1   | S     | Plug, Oil Filler                   |
| 34    | 3402-197    | 1   |       | Plug                               |
| 35    | 3423-050    | 1   |       | O-Ring                             |
| 36    | 3423-061    | 1   |       | O-Ring                             |
| 37    | 3423-175    | 8   | S     | Screw, Cap                         |
| 38    | 3423-070    | 2   |       | Ring, Driveshaft - Front           |
| 39    | 3435-007    | 1   | F     | Coupling, Propeller Shaft          |
| 40    | 3423-182    | 6   | S/F   | Screw, Cap                         |
| 41    | 3004-491    | 6   | S/P/F | Nut                                |
| 42    | 0402-147    | 1   | S/F   | Bladder, Housing                   |
| 43    | 0123-811    | 1   | F     | Cable Tie - 4 in.                  |
| 44    | 8428-002    | 2   |       | Nut, Lock                          |



2001 400 4X4 RED (A2001ATI4AUSR) (ATV 400/500 CC MANUAL TRANSMISSION) 11 of 97  
 FRONT SHIFT LINKAGE ASSEMBLY

| Ref # | Part Number | Qty | S/P/F | Description            |
|-------|-------------|-----|-------|------------------------|
| 1     | 0502-160    | 1   |       | Linkage, Shift         |
| 2     | 0423-091    | 1   |       | Bushing, Shift Linkage |
| 3     | 8050-242    | 1   |       | Washer                 |
| 4     | 0623-846    | 1   |       | Pin, Cotter            |
| 5     | 0506-400    | 1   |       | Bracket, Shift Linkage |
| 6     | 0423-101    | 2   |       | Screw, Body            |
| 7     | 0406-363    | 2   |       | Bushing                |
| 8     | 0402-256    | 2   |       | Collar                 |
| 9     | 8476-630    | 2   |       | Screw, Machine         |
| 10    | 8050-222    | 2   | /P    | Washer                 |
| 11    | 0502-148    | 1   | S     | Arm, Select            |
| 12    | 8476-620    | 1   |       | Screw, Machine         |

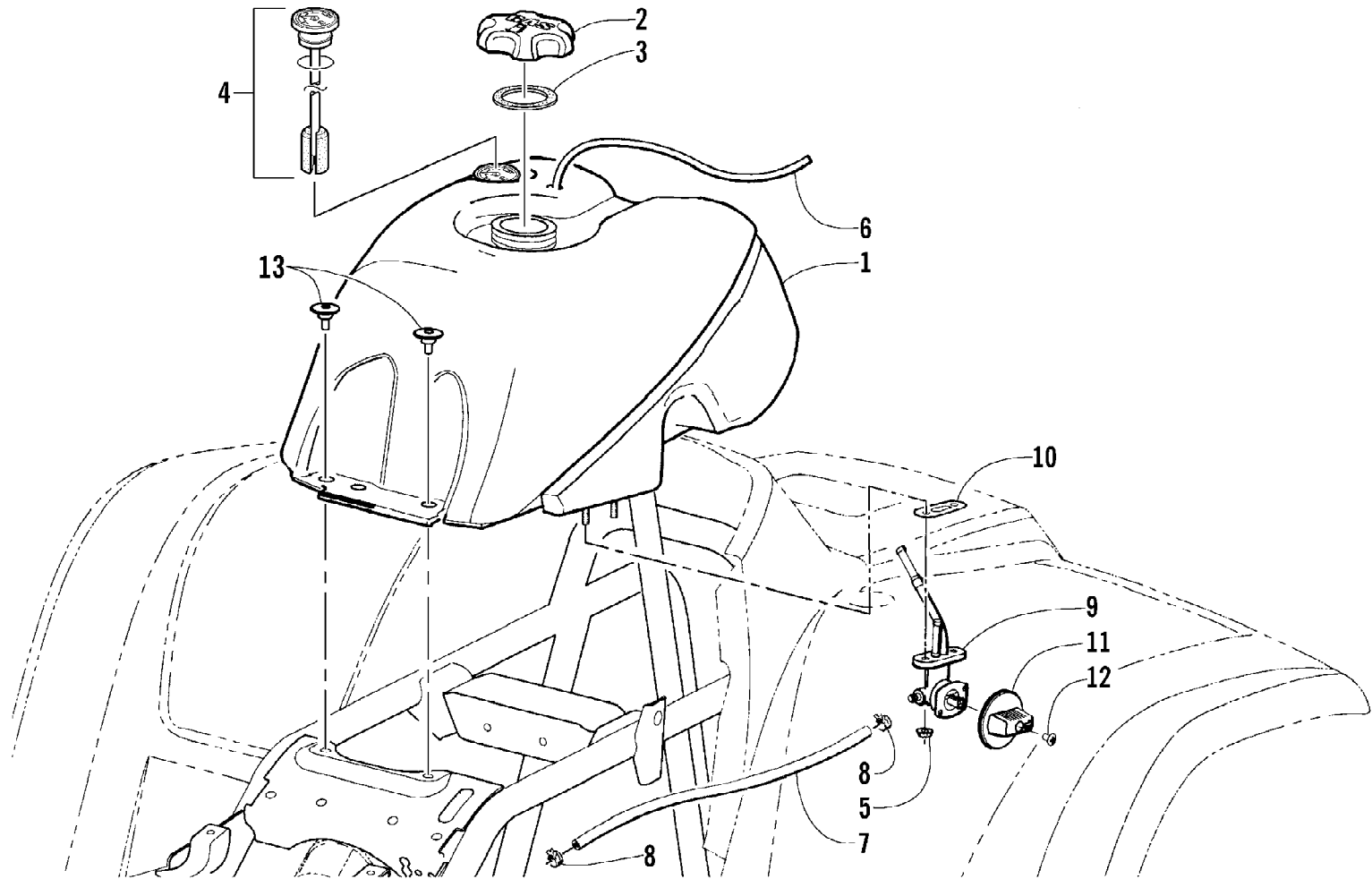
2001 400 4X4 RED (A2001ATI4AUSR) (ATV 400/500 CC MANUAL TRANSMISSION) 12 of 97  
FRONT SUSPENSION ASSEMBLY



2001 400 4X4 RED (A2001ATI4AUSR) (ATV 400/500 CC MANUAL TRANSMISSION)  
FRONT SUSPENSION ASSEMBLY

| Ref # | Part Number | Qty | S/P/F | Description                                |
|-------|-------------|-----|-------|--|
| 1     | 0603-033    | 2   | S     | Retainer, Spring                           |
| 2     | 0403-034    | 2   |       | Shock Absorber - Front (inc. 3-4) (2X4)    |
| 2     | 0403-001    | 2   |       | Shock Absorber - Front (inc. 3-4) (4X4)    |
| 3     | 0604-310    | 8   |       | Bushing, Shock Absorber                    |
| 4     | 0403-028    | 4   |       | Sleeve, Shock                              |
| 5     | 8428-002    | 12  |       | Nut, Lock                                  |
| 6     | 8409-040    | 4   |       | Screw, Cap                                 |
| 7     | 0403-002    | 2   |       | Spring, Shock Absorber                     |
| 8     | 0403-025    | 2   | /P    | Collar, Spring                             |
| 9     | 0403-013    | 2   |       | Washer, Spring                             |
| 10    | 0503-026    | 1   | S/P   | A-Arm, Upper Right - Assembly (inc. 11-12) |
| 10    | 0503-027    | 1   | S/P   | A-Arm, Upper Left - Assembly (inc. 11-12)  |
| 11    | 0405-068    | 4   | S     | Ball Joint - Front                         |
| 12    | 0423-009    | 4   | /P    | Clip, Ball Joint                           |
| 13    | 0505-026    | 1   | S/P   | Knuckle - Assembly - Right (inc. 14-18)    |
| 13    | 0505-027    | 1   | S/P   | Knuckle - Assembly - Left (inc. 14-18)     |
| 14    | 0505-062    | 1   | S     | Knuckle, Steering - Right                  |
| 14    | 0505-063    | 1   | S     | Knuckle, Steering - Left                   |
| 15    | 0402-275    | 2   | /P    | Bearing, Wheel Hub - Front                 |
| 16    | 0423-034    | 2   |       | Clip, Bearing                              |
| 17    | 0402-089    | 2   |       | Seal, Wheel Bearing - Front                |
| 18    | 0402-069    | 2   |       | Seal, Wheel Bearing - Front                |
| 19    | 8409-030    | 4   |       | Screw, Cap                                 |
| 20    | 8409-060    | 8   |       | Screw, Cap                                 |
| 21    | 0503-036    | 1   | S     | A-Arm, Lower Right (inc. 11-12) (2X4)      |
| 21    | 0503-037    | 1   | S     | A-Arm, Lower Left (inc. 11-12) (2X4)       |
| 21    | 0503-092    | 1   | S     | A-Arm, Lower Right (inc. 11-12) (4X4)      |
| 21    | 0503-093    | 1   | S     | A-Arm, Lower Left (inc. 11-12) (4X4)       |
| 22    | 0402-179    | 1   | S     | Axle, Drive - Front Right (500 4X4)        |
| 22    | 0402-179    | 2   | S     | Axle, Drive - Front (400 4X4)              |
| 22    | 0402-179    | 1   | S     | Axle, Drive - Front Left (500 4X4)         |
| 23    | 0436-114    | 2   | S     | Repair Kit, Outer Boot - Front Axle        |
| 24    | 0436-113    | 2   | S     | Repair Kit, Inner Boot - Front Axle        |
| 25    | 0403-027    | 2   |       | Retainer, Spring - Lower                   |
| 26    | 0402-183    | 2   |       | Axle, Stub (2X4)                           |
| 27    | 0406-656    | 2   |       | Guard, Boot - Axle                         |
| 28    | 0423-101    | 4   |       | Screw, Body                                |

2001 400 4X4 RED (A2001ATI4AUSR) (ATV 400/500 CC MANUAL TRANSMISSION) 14 of 97  
GAS TANK ASSEMBLY (Vehicle Identification Number E21T325087 and Up)

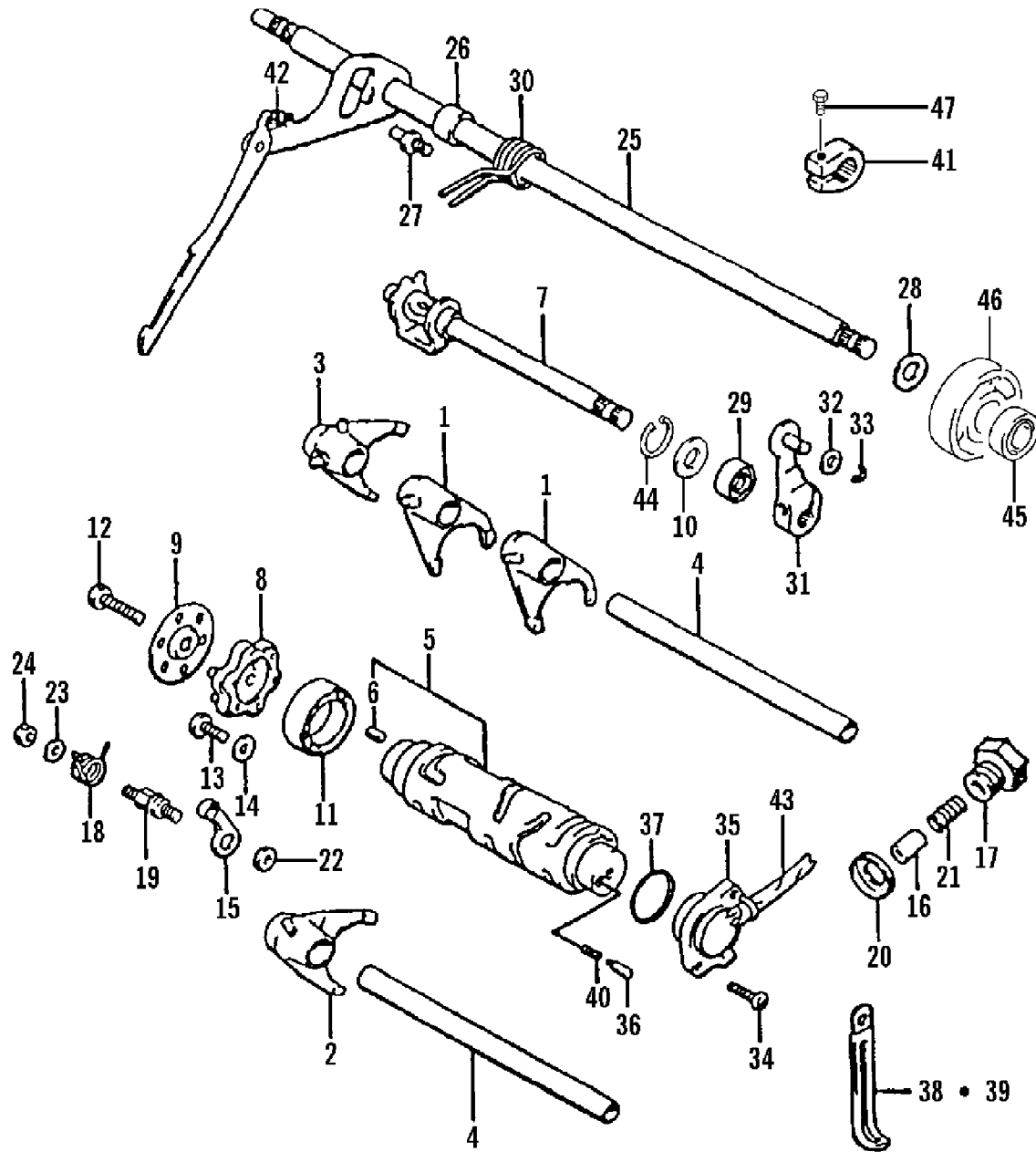




2001 400 4X4 RED (A2001ATI4AUSR) (ATV 400/500 CC MANUAL TRANSMISSION) 145 of 97  
 GAS TANK ASSEMBLY (Vehicle Identification Number E21T325087 and Up)

| Ref # | Part Number | Qty | S/P/F | Description                      |
|-------|-------------|-----|-------|----------------------------------|
| 1     | 0570-035    | 1   | S     | Tank, Gas - Assembly (inc. 2-12) |
| 2     | 0470-438    | 1   | /P/F  | Cap, Gas (inc. 3)                |
| 3     | 0109-733    | 1   | /P/F  | Gasket, Gas Cap                  |
| 4     | 0470-444    | 1   | S/F   | Gauge, Fuel w/Gasket (Press-Fit) |
| 5     | 0624-250    | 1   | F     | Nut, Lock                        |
| 6     | 0470-381    | 1   | S     | Hose, Vent                       |
| 7     | 0610-007    | AR  | /P    | Hose, Gasline - 25 ft            |
| 8     | 0423-152    | 2   |       | Clamp, Hose - Spring             |
| 9     | 0470-401    | 1   | S     | Valve, Fuel Shut-Off (inc. 10)   |
| 10    | 0470-364    | 1   |       | Gasket, Fuel Shut-Off Valve      |
| 11    | 0470-408    | 1   |       | Knob, Fuel Shut-Off Valve        |
| 12    | 0423-146    | 1   |       | Screw, Fuel Shut-Off Valve Knob  |
| 13    | 0423-130    | 2   |       | Screw, Gas Tank                  |

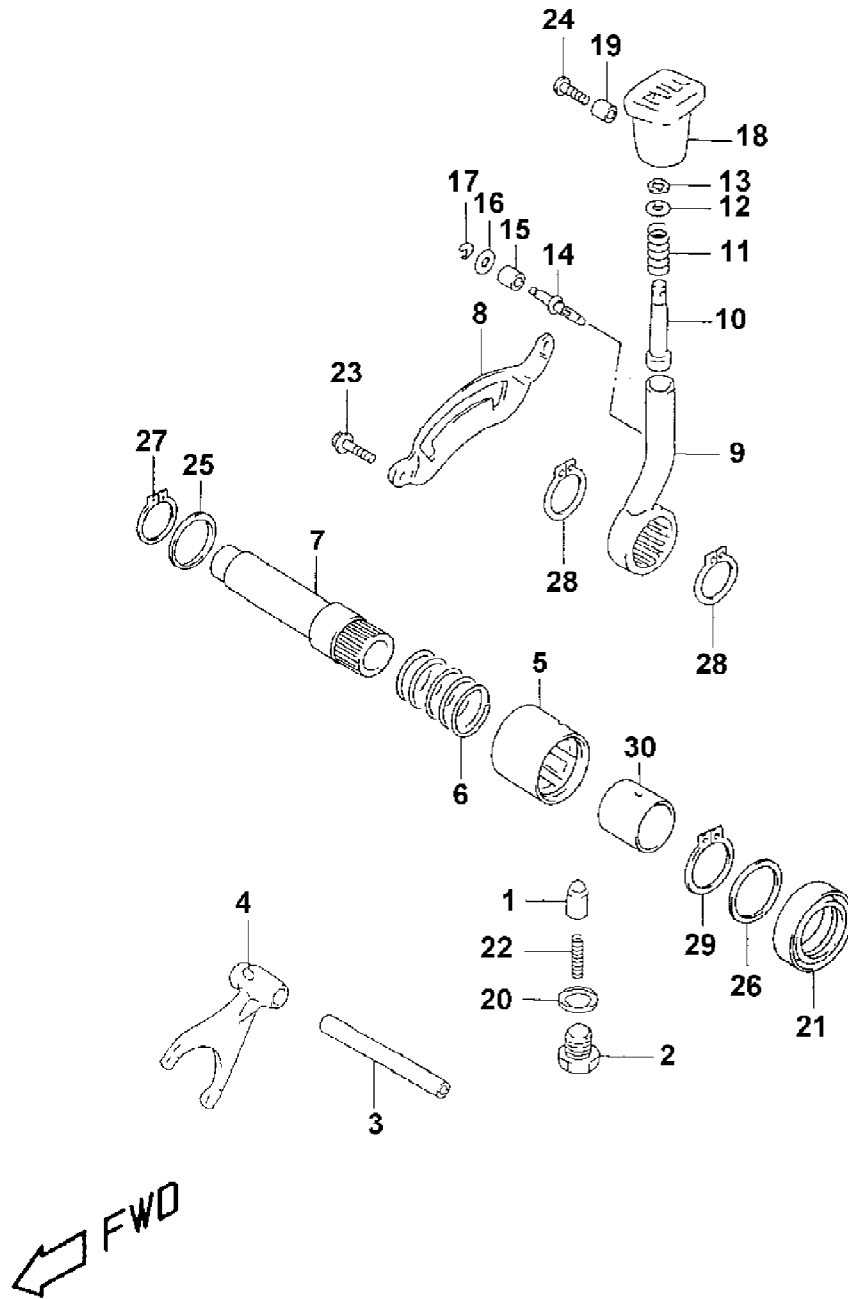
2001 400 4X4 RED (A2001ATI4AUSR) (ATV 400/500 CC MANUAL TRANSMISSION)  
GEAR SHIFTING ASSEMBLY



2001 400 4X4 RED (A2001ATI4AUSR) (ATV 400/500 CC MANUAL TRANSMISSION)  
GEAR SHIFTING ASSEMBLY

| Ref # | Part Number | Qty | S/P/F | Description                        |
|-------|-------------|-----|-------|------------------------------------|
| 1     | 3446-038    | 2   |       | Fork (No. 2)                       |
| 2     | 3446-039    | 1   |       | Fork (No. 3)                       |
| 3     | 3446-040    | 1   |       | Fork, Reverse                      |
| 4     | 3446-052    | 2   |       | Shaft, Gear Shift Fork             |
| 5     | 3446-041    | 1   |       | Cam, Gear Shift (inc. 6)           |
| 6     | 3423-114    | 1   | /P    | Pin, Gear Shift                    |
| 7     | 3446-241    | 1   |       | Cam, Reverse Shift                 |
| 8     | 3446-049    | 1   |       | Plate, Gear Shift Cam              |
| 9     | 3446-050    | 1   | S     | Guide, Gear Shift Cam Plate        |
| 10    | 3423-357    | 1   |       | Washer, Reverse Shift Cam          |
| 11    | 3402-051    | 1   |       | Bearing, Gear Shift Cam            |
| 12    | 3423-125    | 1   | S     | Bolt, Clutch Release Arm           |
| 13    | 3004-552    | 2   | S     | Screw, Cam Bearing Retainer        |
| 14    | 3423-135    | 2   |       | Retainer, Bearing                  |
| 15    | 3446-043    | 1   |       | Stopper, Gear Shift Cam            |
| 16    | 3446-117    | 1   |       | Stopper, Reverse Shift Cam         |
| 17    | 3446-164    | 1   |       | Housing, Reverse Cam Stopper       |
| 18    | 3446-047    | 1   |       | Spring, Shift Cam Stopper Arm      |
| 19    | 3446-048    | 1   |       | Support, Shift Cam Stopper         |
| 20    | 3402-012    | 1   |       | Gasket, Cam Stopper Housing        |
| 21    | 3402-088    | 1   |       | Spring, Reverse Cam Stopper        |
| 22    | 3423-141    | 1   |       | Washer, Gear Shift Cam             |
| 23    | 3423-142    | 1   |       | Washer, Cam Stopper Arm            |
| 24    | 3004-488    | 1   | S/P   | Nut, Cam Stopper Arm Support       |
| 25    | 3446-243    | 1   | S     | Shaft, Gear Shift (inc. 42)        |
| 26    | 3446-054    | 1   |       | Spacer, Gear Shift Shaft           |
| 27    | 3446-056    | 1   |       | Stopper, Gear Shift Arm            |
| 28    | 3402-068    | 1   | /P    | Seal, Gear Shift Shaft Oil (400)   |
| 29    | 3402-076    | 1   |       | Seal, Reverse Shift Oil            |
| 30    | 3402-094    | 1   |       | Spring, Gear Shift Return          |
| 31    | 3446-055    | 1   |       | Arm, Reverse Gear Shift            |
| 32    | 3423-209    | 1   |       | Washer, Gear Shift Cable Arm (400) |
| 32    | 3423-204    | 1   | /P    | Washer, Gear Shift Cable Arm (500) |
| 33    | 3423-168    | 1   | S     | E-Ring, Gear Shift Cable Arm       |
| 34    | 3423-166    | 2   | S     | Screw, Cap                         |
| 35    | 3430-015    | 1   | /P    | Base Assembly                      |
| 36    | 3423-044    | 1   |       | Contact, Neutral                   |
| 37    | 3423-059    | 1   |       | O-Ring, Neutral                    |
| 38    | 3004-787    | 1   |       | Clamp                              |
| 39    | 3002-964    | 1   | /P    | Clamp                              |
| 40    | 3402-087    | 1   |       | Spring                             |
| 41    | 3402-008    | 1   | /P    | Hub, Gear Shift                    |
| 42    | 3402-093    | 1   |       | Spring, Gear Shift                 |
| 43    | 0706-990    | AR  | /P    | Tape, Foil                         |
| 44    | 3423-358    | 1   | S     | Circlip, Reverse Shift Cam         |
| 45    | 3402-068    | 1   | /P    | Seal, Gear Shift Shaft Oil (500)   |
| 46    | 3402-385    | 1   |       | Bearing, Gear Shift (500)          |
| 47    | 3423-125    | 1   | S     | Bolt                               |

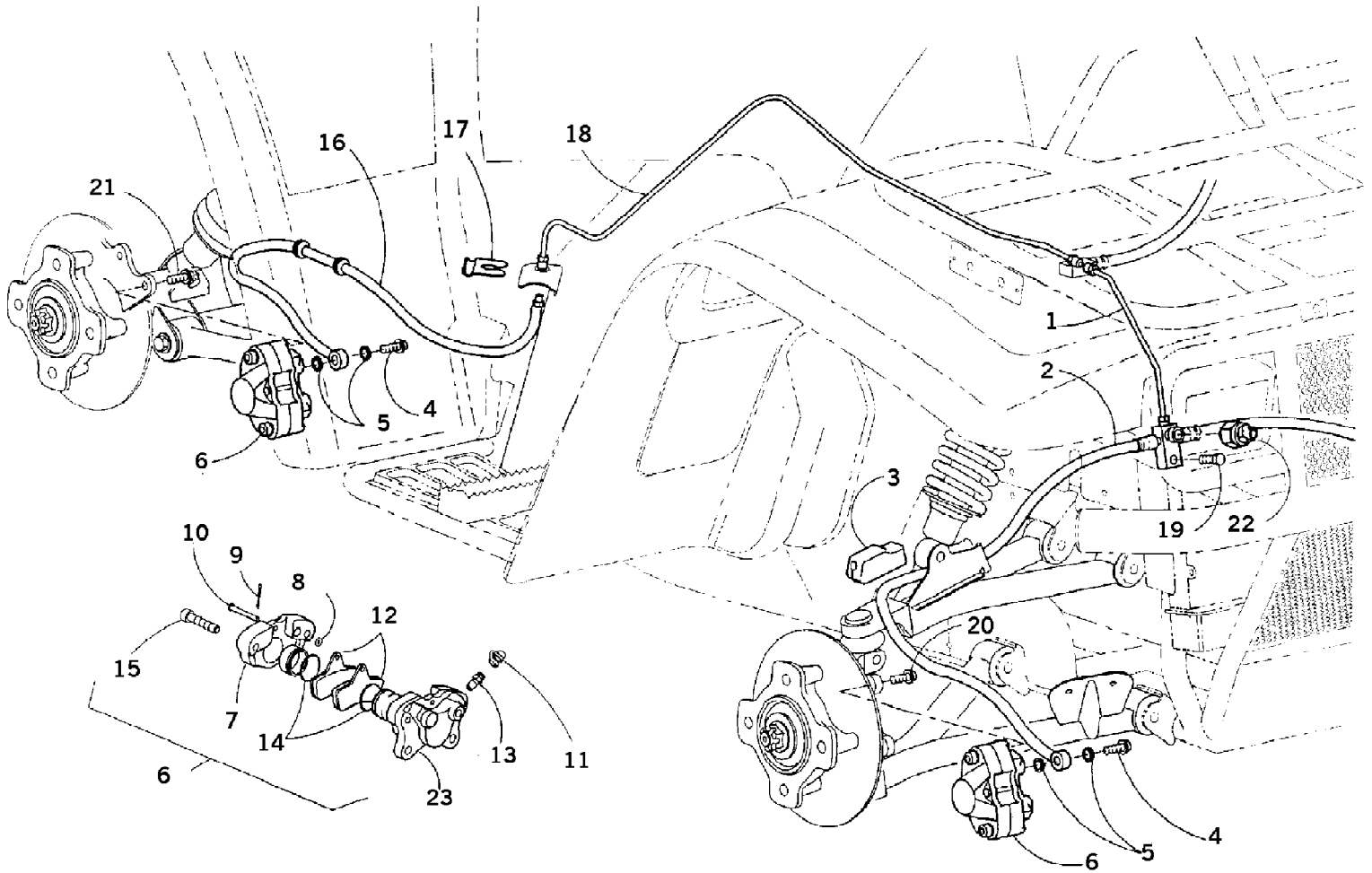
2001 400 4X4 RED (A2001ATI4AUSR) (ATV 400/500 CC MANUAL TRANSMISSION) 18 of 97  
HI/LO SHIFTER ASSEMBLY (4X4)



2001 400 4X4 RED (A2001ATI4AUSR) (ATV 400/500 CC MANUAL TRANSMISSION) 19 of 97  
 HI/LO SHIFTER ASSEMBLY (4X4)

| Ref # | Part Number | Qty | S/P/F | Description                          |
|-------|-------------|-----|-------|--------------------------------------|
| 1     | 3446-242    | 1   |       | Stopper, Shift Cam                   |
| 2     | 3446-046    | 1   |       | Housing, Shift Cam Stopper           |
| 3     | 3446-051    | 1   |       | Shaft, Shift Fork                    |
| 4     | 3446-073    | 1   |       | Fork, Shift                          |
| 5     | 3446-074    | 1   |       | Cam, Shift (400)                     |
| 5     | 3446-250    | 1   |       | Cam, Shift (500)                     |
| 6     | 3446-104    | 1   |       | Spring                               |
| 7     | 3446-251    | 1   | S     | Shaft, Shift                         |
| 8     | 3446-077    | 1   |       | Plate, Lever Stop                    |
| 9     | 3446-105    | 1   | /P    | Lever, Shift - Assembly (inc. 10-17) |
| 10    | 3446-252    | 1   |       | Sub-Rod                              |
| 11    | 3446-107    | 1   |       | Spring                               |
| 12    | 3423-155    | 1   |       | Washer                               |
| 13    | 3423-154    | 1   |       | Circlip                              |
| 14    | 3423-205    | 1   |       | Pin                                  |
| 15    | 3446-106    | 1   |       | Collar                               |
| 16    | 3423-152    | 1   | /P    | Washer                               |
| 17    | 3423-153    | 1   |       | E-Clip                               |
| 18    | 3446-078    | 1   |       | Handle                               |
| 19    | 3402-191    | 1   |       | Spacer                               |
| 20    | 3402-012    | 1   |       | Gasket, Shift Cam Stopper            |
| 21    | 3402-071    | 1   | /P    | Seal, Oil                            |
| 22    | 3446-113    | 1   |       | Spring                               |
| 23    | 3004-377    | 2   | S/P   | Bolt, Lever Stop Plate               |
| 24    | 3423-156    | 1   | S     | Screw, Shift Handle                  |
| 25    | 3402-382    | 1   |       | Washer, Cam Stop                     |
| 26    | 3423-158    | 1   | /P    | Washer, Shaft - Left                 |
| 27    | 3423-191    | 1   | /P    | Circlip, Cam Spring                  |
| 28    | 3423-192    | 2   | /P    | Circlip, Shift Lever                 |
| 29    | 3423-193    | 1   | S/P   | Circlip, Shaft - Left                |
| 30    | 3446-112    | 1   | /P    | Spacer Set (400)                     |
| 30    | 3446-261    | 1   |       | Spacer Set (500)                     |

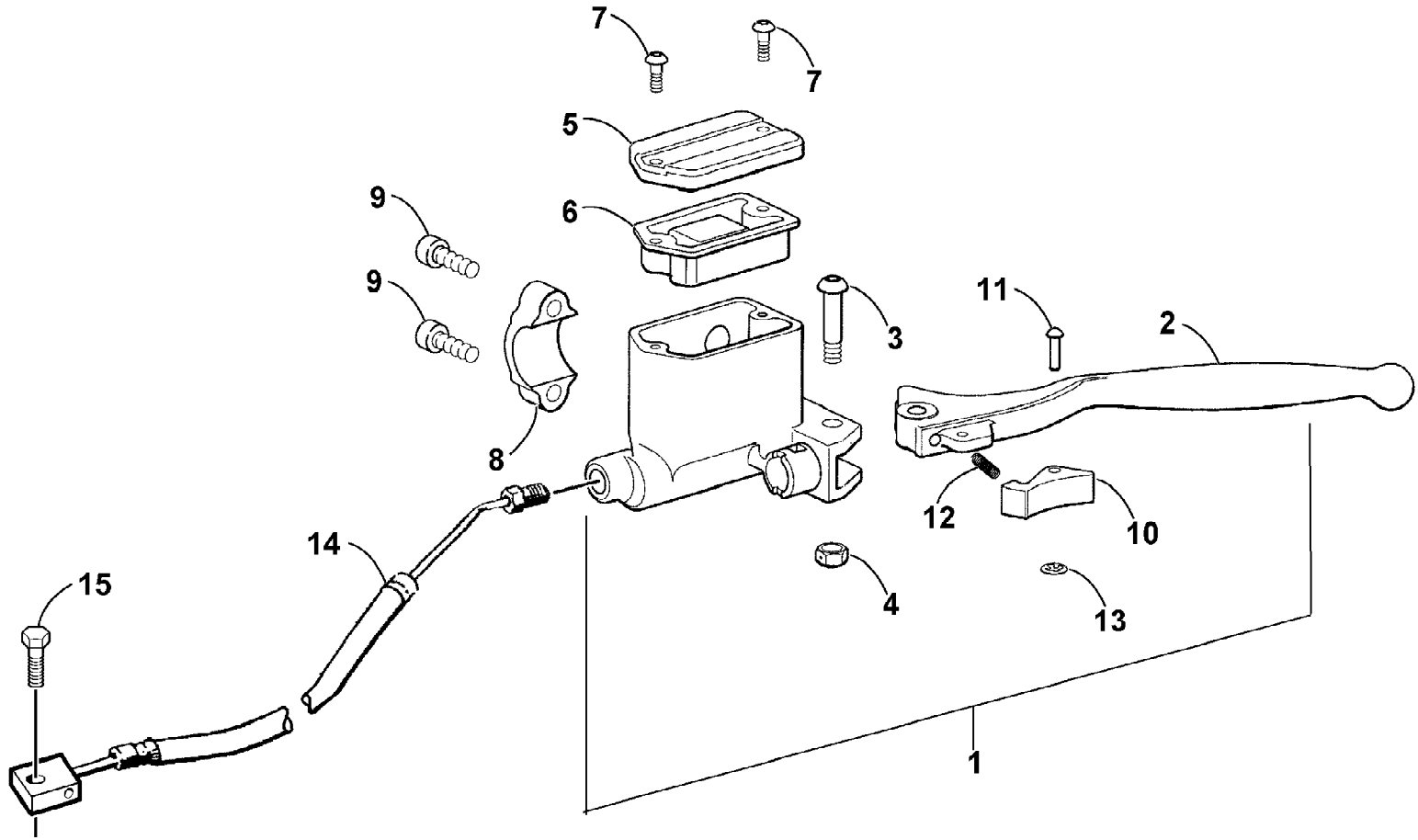
2001 400 4X4 RED (A2001ATI4AUSR) (ATV 400/500 CC MANUAL TRANSMISSION)  
HYDRAULIC BRAKE ASSEMBLY



2001 400 4X4 RED (A2001ATI4AUSR) (ATV 400/500 CC MANUAL TRANSMISSION) 51 of 97  
 HYDRAULIC BRAKE ASSEMBLY

| Ref # | Part Number | Qty | S/P/F | Description   |
|-------|-------------|-----|-------|---|
| 1     | 0402-373    | 1   |       | Tube, Brakeline - Front                                 |
| 2     | 0402-307    | 1   |       | Hose, Brake - Front                                     |
| 3     | 0402-073    | 2   |       | Block, Mounting   |
| 4     | 0423-038    | 3   | S     | Bolt, Oil   |
| 5     | 0423-039    | 6   |       | Washer, Crush   |
| 6     | 0402-488    | 1   | S     | Caliper, Brake - Right Front (inc. 7-15 and 23)         |
| 6     | 0402-489    | 2   | S     | Caliper, Brake - Left Front and Rear (inc. 7-15 and 23) |
| 7     | 0           | 3   | F     | Housing, Caliper  |
| 8     | 0402-490    | 3   |       | O-Ring  |
| 9     | 0402-496    | 3   | S     | Pin, Cotter   |
| 10    | 0402-495    | 3   |       | Pin, Brake Caliper                                      |
| 11    | 0402-493    | 3   |       | Cap, Bleeder Valve                                      |
| 12    | 0402-494    | 6   | S     | Pad, Brake  |
| 13    | 0402-491    | 3   | S     | Valve, Bleeder  |
| 14    | 0402-487    | 6   |       | O-Ring, Brake Caliper                                   |
| 15    | 0402-492    | 12  |       | Screw, Cap  |
| 16    | 0402-184    | 1   |       | Hose, Brake - Rear                                      |
| 17    | 0402-115    | 1   | S     | Clip, Brakeline   |
| 18    | 0402-054    | 1   |       | Tube, Brakeline - Rear                                  |
| 19    | 8476-625    | 1   |       | Screw, Cap  |
| 20    | 8408-825    | 4   |       | Screw, Cap  |
| 21    | 8408-820    | 2   | /P    | Screw, Cap  |
| 22    | 0402-306    | 1   | /P    | Switch, Brake Pressure                                  |
| 23    | 0           | 3   | F     | Housing, Caliper  |

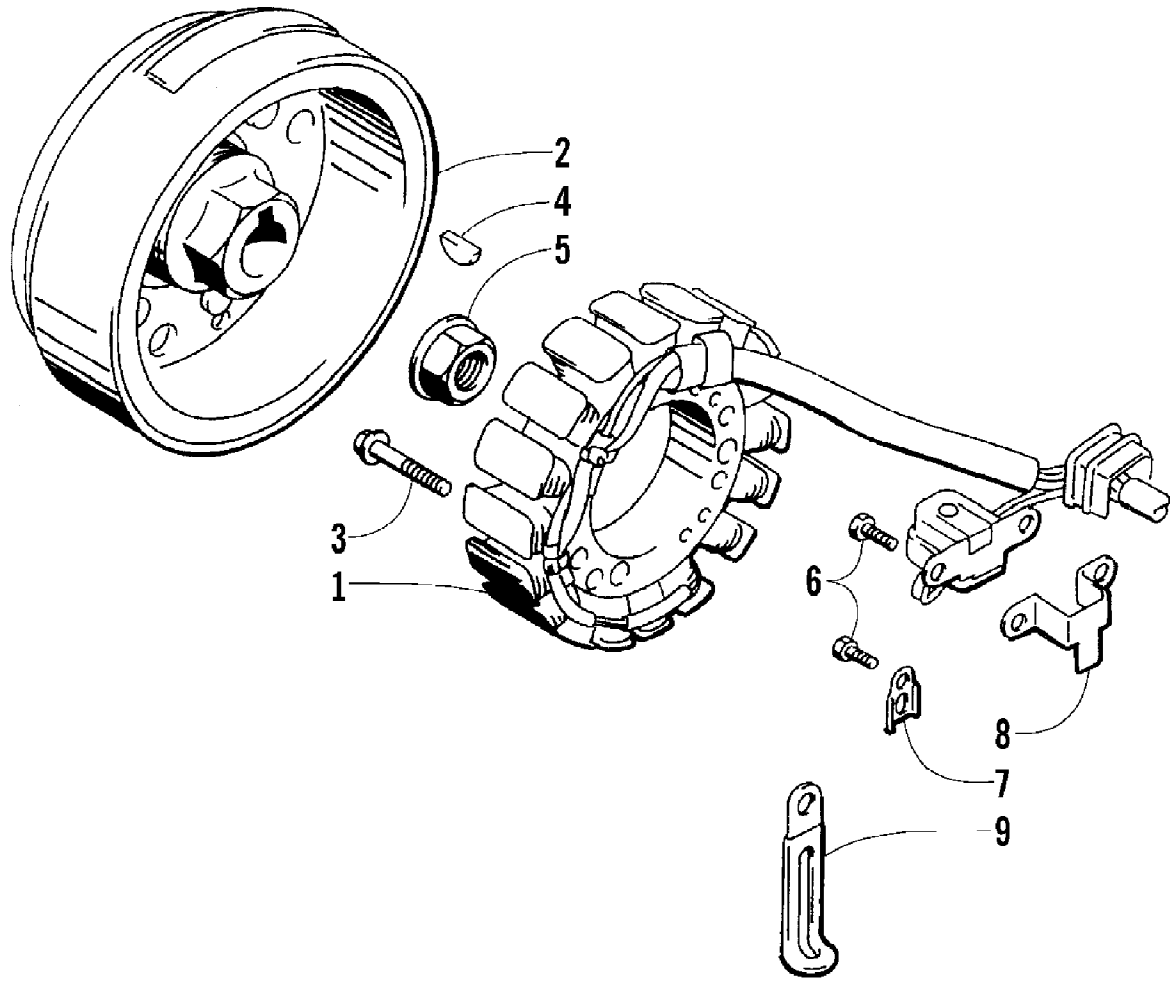
2001 400 4X4 RED (A2001ATI4AUSR) (ATV 400/500 CC MANUAL TRANSMISSION) 52 of 97  
HYDRAULIC HAND BRAKE ASSEMBLY





2001 400 4X4 RED (A2001ATI4AUSR) (ATV 400/500 CC MANUAL TRANSMISSION)  
 HYDRAULIC HAND BRAKE ASSEMBLY Page 53 of 97

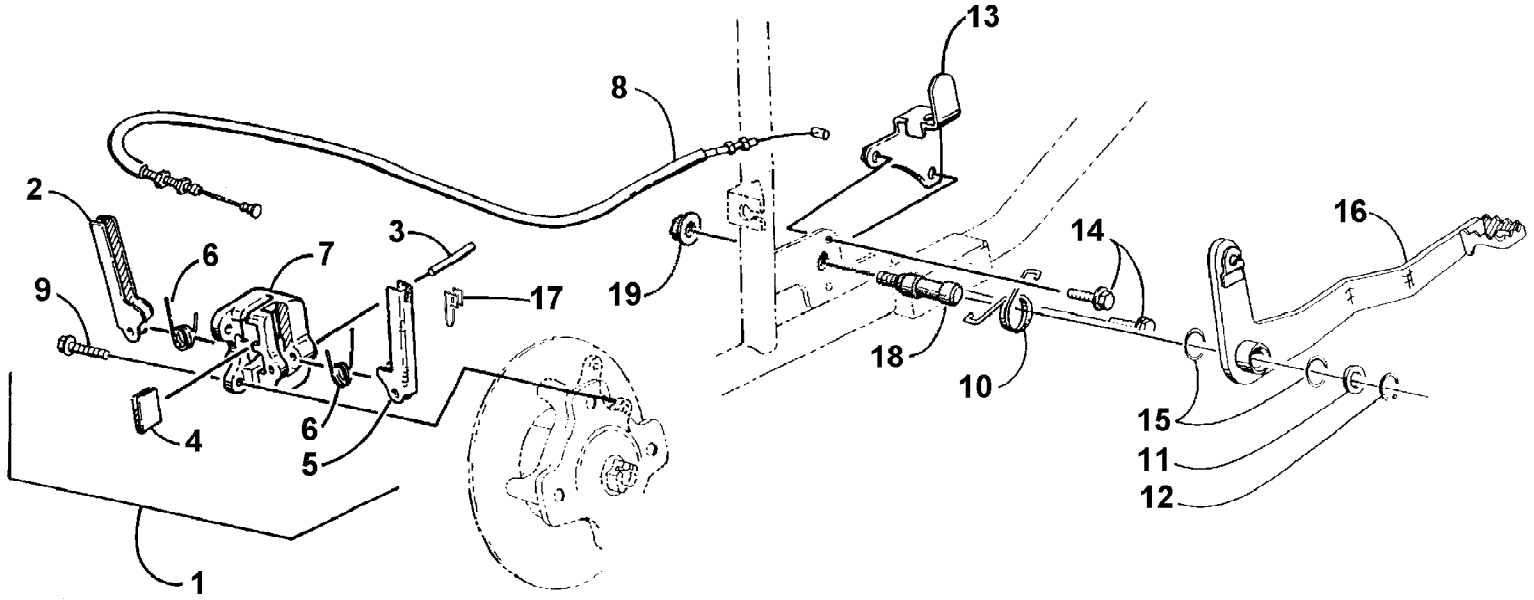
| Ref # | Part Number | Qty | S/P/F | Description                             |
|-------|-------------|-----|-------|---|
| 1     | 0502-231    | 1   | S     | Cylinder, Master - Assembly (inc. 2-13) |
| 2     | 0402-818    | 1   | /P    | Lever, Brake                            |
| 3     | 0402-549    | 1   | S     | Screw                                   |
| 4     | 0402-557    | 1   | S     | Nut, Lock                               |
| 5     | 0402-544    | 1   |       | Cover, Reservoir                        |
| 6     | 0402-553    | 1   |       | Bladder, Reservoir                      |
| 7     | 0402-545    | 2   |       | Screw                                   |
| 8     | 0402-558    | 1   | S     | Clamp, Master Cylinder                  |
| 9     | 0402-562    | 2   | S     | Screw                                   |
| 10    | 0402-546    | 1   | S     | Lever, Brake - Lock                     |
| 11    | 0402-547    | 1   | S     | Rivet                                   |
| 12    | 0402-559    | 1   |       | Spring, Lever Lock                      |
| 13    | 0402-561    | 1   | S     | Washer, Lock - Retaining                |
| 14    | 0402-050    | 1   | S     | Hose, Brakeline                         |
| 15    | 8476-625    | 1   |       | Screw, Machine                          |



2001 400 4X4 RED (A2001ATI4AUSR) (ATV 400/500 CC MANUAL TRANSMISSION) 55 of 97  
 MAGNETO ASSEMBLY

| Ref # | Part Number | Qty | S/P/F | Description     |
|-------|-------------|-----|-------|-----------------|
| 1     | 3430-011    | 1   | /P    | Stator Assembly |
| 2     | 3430-012    | 1   |       | Rotor/Flywheel  |
| 3     | 3423-162    | 3   | S     | Bolt            |
| 4     | 0691-785    | 1   |       | Key             |
| 5     | 3423-086    | 1   |       | Nut             |
| 6     | 3423-005    | 3   | /P    | Screw, Cap      |
| 7     | 3430-005    | 1   |       | Clamp (No. 1)   |
| 8     | 3430-006    | 1   |       | Clamp (No. 2)   |
| 9     | 3002-964    | 1   | /P    | Clamp (No. 3)   |

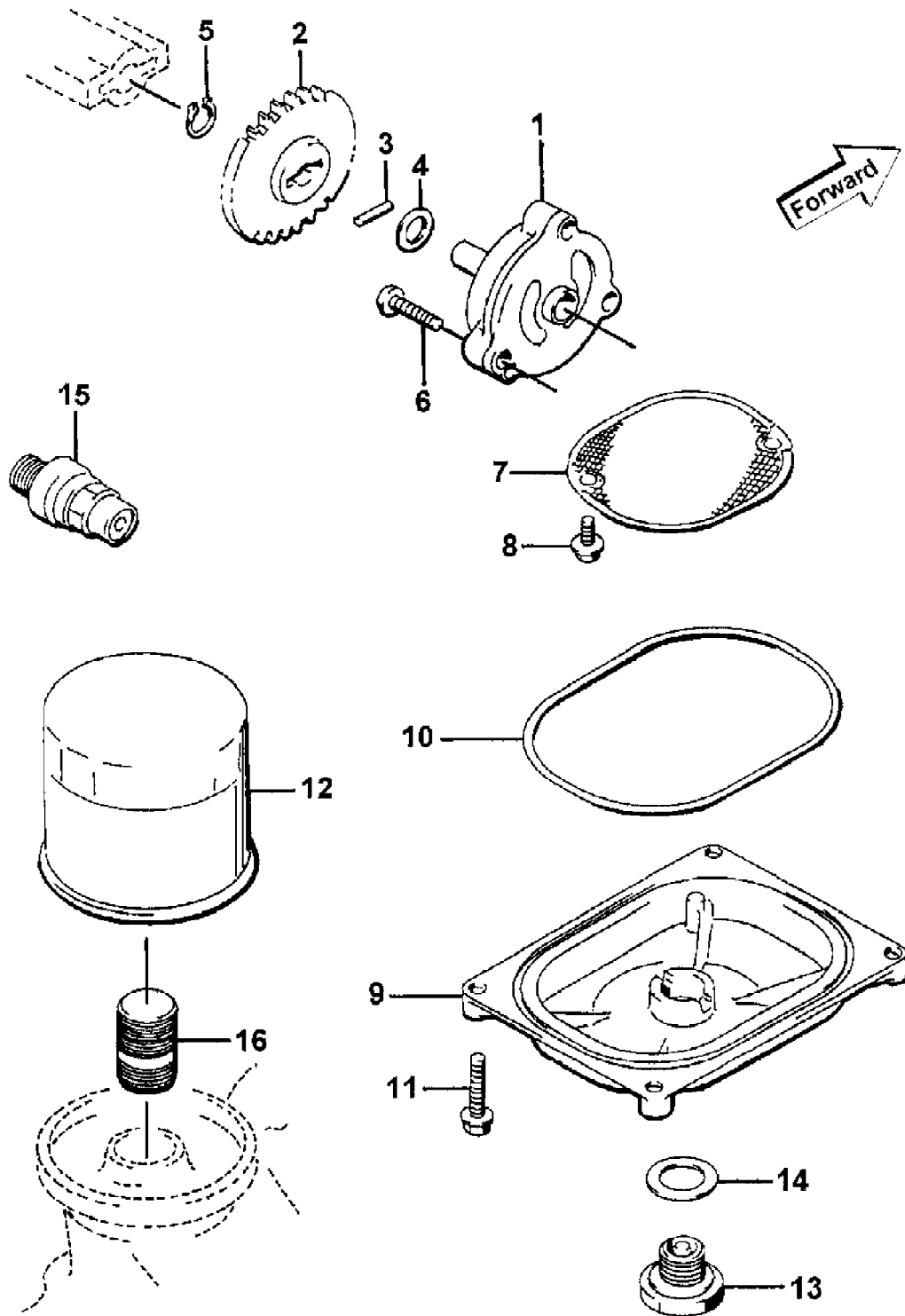
2001 400 4X4 RED (A2001ATI4AUSR) (ATV 400/500 CC MANUAL TRANSMISSION) 56 of 97  
MECHANICAL BRAKE ASSEMBLY



2001 400 4X4 RED (A2001ATI4AUSR) (ATV 400/500 CC MANUAL TRANSMISSION) 57 of 97  
 MECHANICAL BRAKE ASSEMBLY

| Ref # | Part Number | Qty | S/P/F | Description                          |
|-------|-------------|-----|-------|--------------------------------------|
| 1     | 0502-115    | 1   | S     | Mechanical Brake Assembly (inc. 2-7) |
| 2     | 0           | 1   | F     | Arm, Inner                           |
| 3     | 0           | 2   | F     | Pin, Arm                             |
| 4     | 0402-210    | 2   | S     | Pad, Brake                           |
| 5     | 0           | 1   | F     | Arm, Outer                           |
| 6     | 0           | 2   | F     | Spring, Arm                          |
| 7     | 0           | 1   | F     | Housing, Brake                       |
| 8     | 0487-006    | 1   |       | Cable, Brake - Rear                  |
| 9     | 8408-820    | 2   | /P    | Screw, Cap                           |
| 10    | 0402-161    | 1   | S/P   | Spring, Brake                        |
| 11    | 0423-027    | 1   |       | Washer, Brake Lever                  |
| 12    | 0623-237    | 1   | /P    | Ring, Snap                           |
| 13    | 0502-056    | 1   |       | Bracket, Brake Switch                |
| 14    | 8476-616    | 2   |       | Screw, Cap                           |
| 15    | 0670-183    | 2   |       | O-Ring                               |
| 16    | 0502-095    | 1   | /P    | Lever, Brake                         |
| 17    | 0402-379    | 1   |       | Wire Form, Cable                     |
| 18    | 0406-562    | 1   |       | Axle, Foot Brake                     |
| 19    | 0423-165    | 1   |       | Nut                                  |

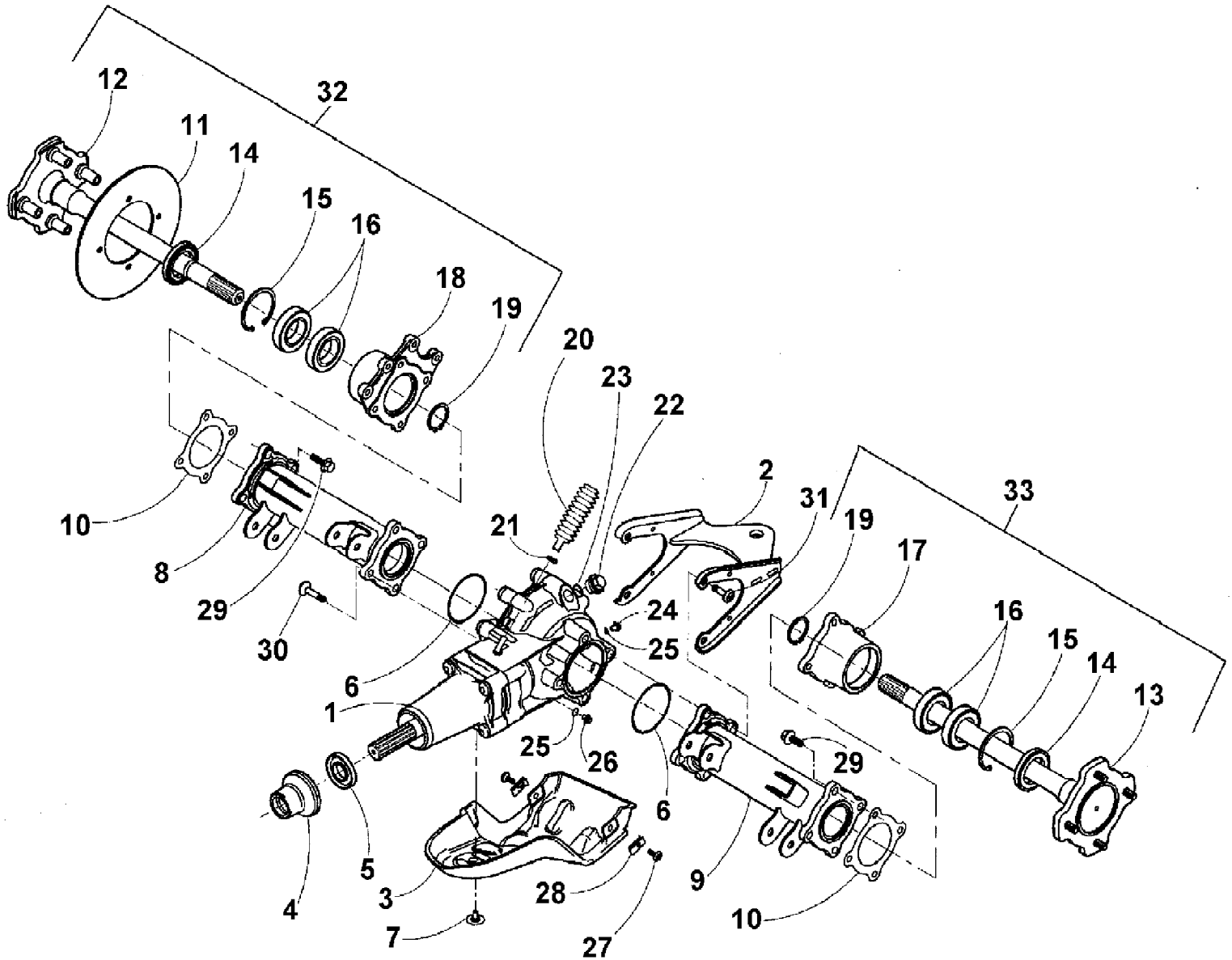
2001 400 4X4 RED (A2001ATI4AUSR) (ATV 400/500 CC MANUAL TRANSMISSION) 58 of 97  
OIL FILTER/PUMP ASSEMBLY



2001 400 4X4 RED (A2001ATI4AUSR) (ATV 400/500 CC MANUAL TRANSMISSION)  
 OIL FILTER/PUMP ASSEMBLY Page 59 of 97

| Ref # | Part Number | Qty | S/P/F | Description                        |
|-------|-------------|-----|-------|------------------------------------|
| 1     | 3402-153    | 1   |       | Pump, Engine Oil                   |
| 2     | 3402-026    | 1   |       | Gear, Driven                       |
| 3     | 3423-046    | 1   |       | Pin                                |
| 4     | 3423-115    | 1   |       | Washer                             |
| 5     | 3423-184    | 1   | S     | Circlip                            |
| 6     | 3423-113    | 3   | S/P   | Screw, Cap                         |
| 7     | 3402-156    | 1   |       | Strainer, Engine Oil               |
| 8     | 0693-389    | 2   | S     | Screw, Cap                         |
| 9     | 3402-157    | 1   |       | Cap, Oil Strainer                  |
| 10    | 3423-077    | 1   |       | O-Ring                             |
| 11    | 3004-756    | 4   | S     | Screw, Cap                         |
| 12    | 0436-146    | 1   | S     | Filter, Engine Oil                 |
| 13    | 3402-036    | 1   | S     | Plug, Drain                        |
| 14    | 3402-012    | 1   |       | Gasket                             |
| 15    | 3402-154    | 1   |       | Valve, Assembly - Oil Relief (400) |
| 15    | 3402-359    | 1   |       | Valve, Assembly - Oil Relief (500) |
| 16    | 3402-158    | 1   | S     | Union, Oil Filter                  |

2001 400 4X4 RED (A2001ATI4AUSR) (ATV 400/500 CC MANUAL TRANSMISSION)  
REAR AXLE ASSEMBLY



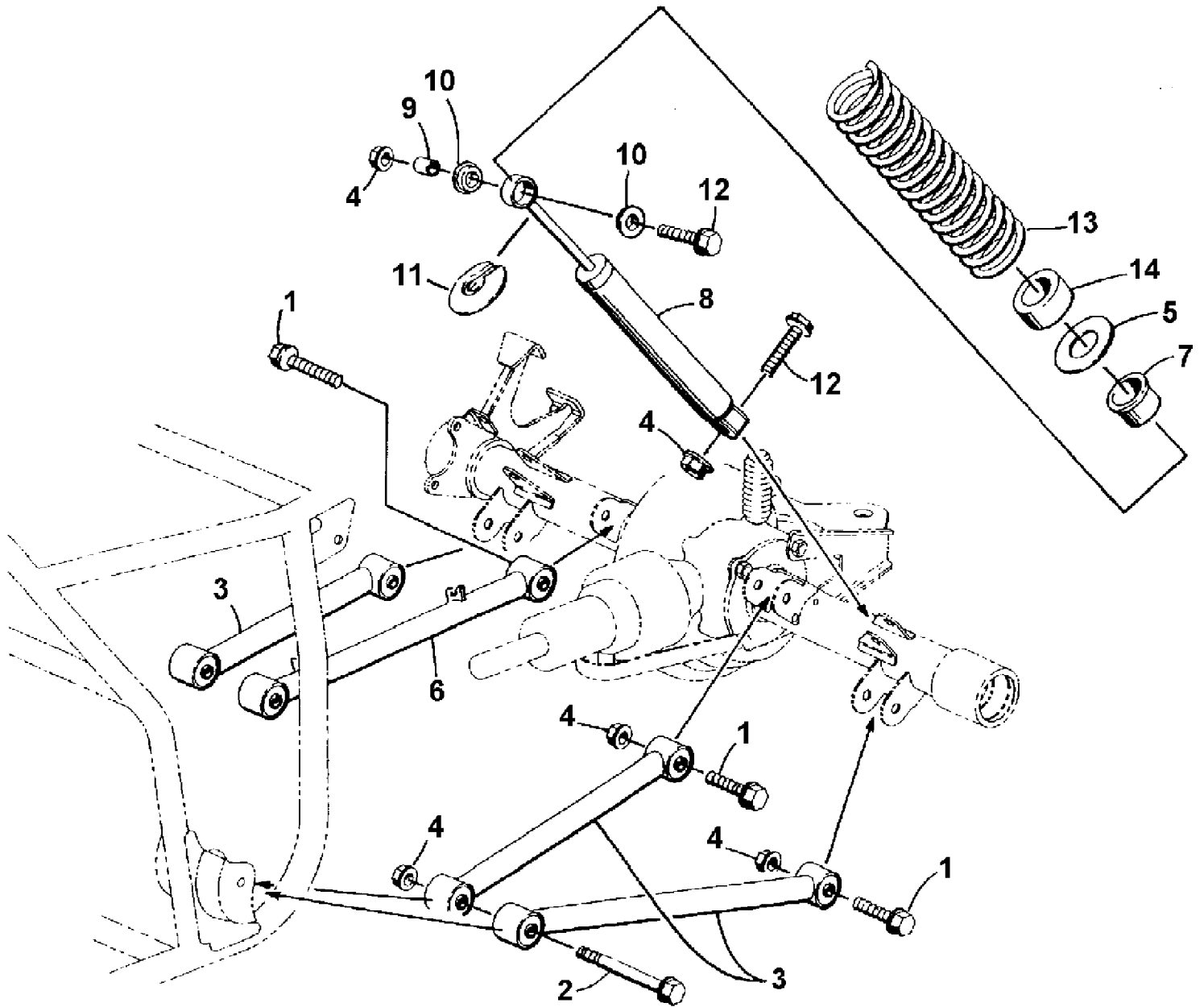


2001 400 4X4 RED (A2001ATI4AUSR) (ATV 400/500 CC MANUAL TRANSMISSION)  
 REAR AXLE ASSEMBLY

Page 1 of 97

| Ref # | Part Number | Qty | S/P/F | Description  |
|-------|-------------|-----|-------|--|
| 1     | 0502-108    | 1   |       | Gear Case Assembly   |
| 2     | 0506-300    | 1   |       | Hitch, Trailer   |
| 3     | 0406-415    | 1   |       | Panel, Gear Case - Right   |
| 4     | 0402-352    | 1   |       | Slinger, Rear Drive - Right                                      |
| 5     | 0402-323    | 1   |       | Seal, Rear Drive Slinger   |
| 6     | 0423-119    | 2   |       | O-Ring   |
| 7     | 0423-101    | 1   |       | Screw, Body  |
| 8     | 0502-090    | 1   |       | Housing, Axle - Right  |
| 9     | 0502-091    | 1   |       | Housing, Axle - Left   |
| 10    | 0402-374    | 2   |       | Gasket, Axle Housing   |
| 11    | 0402-009    | 1   | S     | Disc, Brake  |
| 12    | 0502-112    | 1   | S/P   | Axle Assembly - Right  |
| 13    | 0502-113    | 1   | S/P   | Axle Assembly - Left   |
| 14    | 0402-348    | 2   |       | Seal   |
| 15    | 0402-347    | 2   |       | Ring, Retaining  |
| 16    | 0402-339    | 4   |       | Bearing  |
| 17    | 0502-097    | 1   | S     | Housing, Bearing - Left  |
| 18    | 0502-096    | 1   | S     | Housing, Bearing - Right   |
| 19    | 0402-351    | 2   |       | Ring, Retaining  |
| 20    | 0402-147    | 1   | S     | Bladder, Rear Drive Case   |
| 21    | 0423-315    | 1   |       | Clamp, Hose (Double Wire)  |
| 22    | 0402-333    | 1   | /P    | Plug, Fill   |
| 23    | 0423-154    | 1   |       | O-Ring, Fill Plug  |
| 24    | 0402-334    | 1   |       | Plug, Drain  |
| 25    | 0423-153    | 2   |       | O-Ring, Drain Plug   |
| 26    | 0402-450    | 1   | S     | Plug, Drain - Magnetic   |
| 27    | 8477-616    | 2   |       | Screw, Machine   |
| 28    | 0423-031    | 2   |       | Nut, Speed   |
| 29    | 8409-025    | 8   |       | Screw, Cap   |
| 30    | 0423-117    | 4   |       | Screw, Self-Tapping  |
| 31    | 0423-116    | 4   |       | Screw, Self-Tapping  |
| 32    | 0502-106    | 1   | S     | Retainer, Axle - Assembly - Right (inc. 11-12, 14-16, and 18-19) |
| 33    | 0502-107    | 1   | /P    | Retainer, Axle - Assembly - Left (inc. 13-17 and 19)             |

2001 400 4X4 RED (A2001ATI4AUSR) (ATV 400/500 CC MANUAL TRANSMISSION)  
REAR SUSPENSION ASSEMBLY

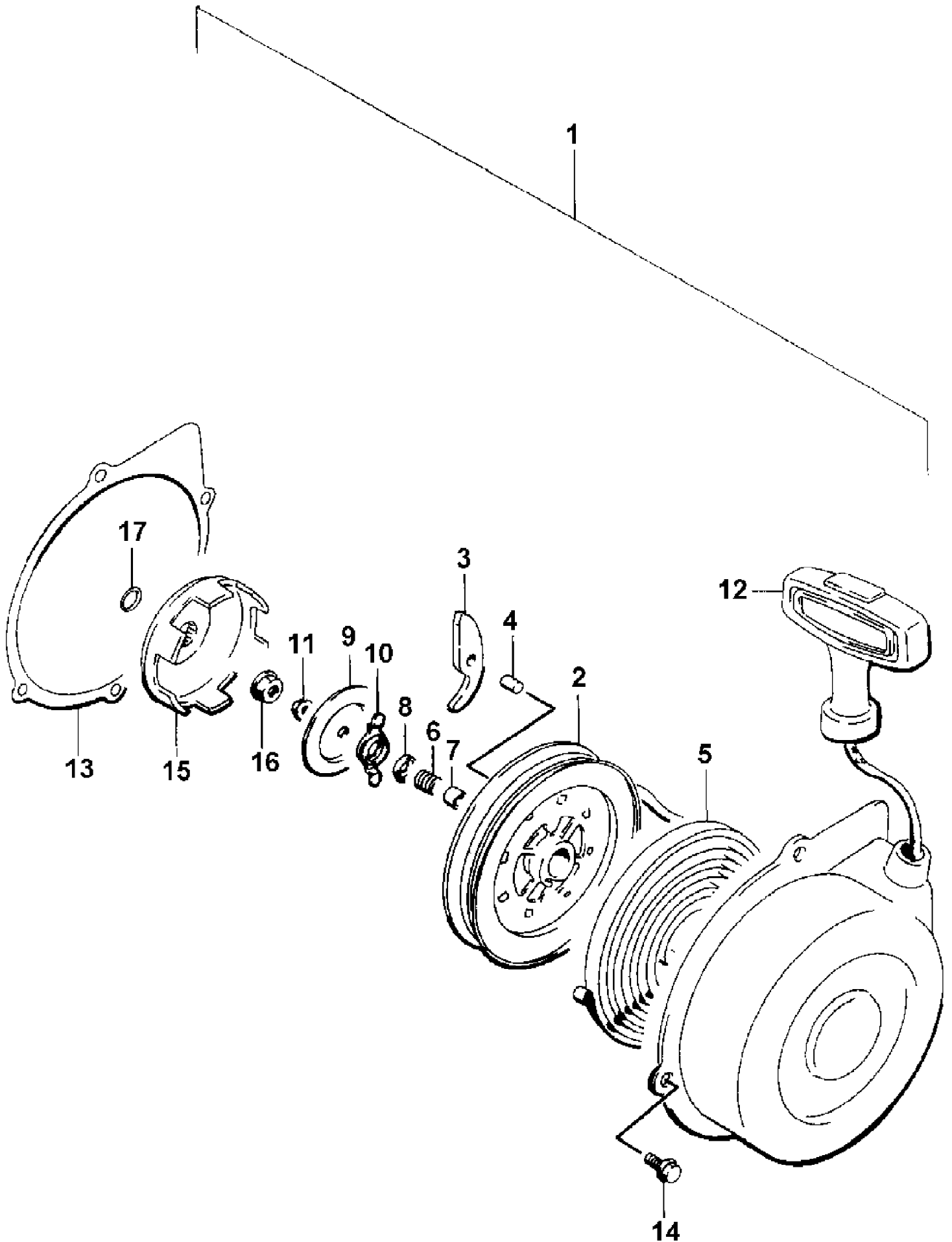


2001 400 4X4 RED (A2001ATI4AUSR) (ATV 400/500 CC MANUAL TRANSMISSION)  
 REAR SUSPENSION ASSEMBLY

Page 63 of 97

| Ref # | Part Number | Qty | S/P/F | Description                       |
|-------|-------------|-----|-------|-----------------------------------|
| 1     | 8409-060    | 4   |       | Screw, Cap                        |
| 2     | 8409-000    | 2   |       | Screw, Cap                        |
| 3     | 0504-001    | 3   |       | Arm, Swing                        |
| 4     | 8428-002    | 10  |       | Nut, Lock                         |
| 5     | 0403-013    | 2   |       | Washer, Spring Adjustment         |
| 6     | 0504-005    | 1   |       | Arm, Swing                        |
| 7     | 0403-027    | 2   |       | Retainer, Spring - Lower          |
| 8     | 0404-001    | 2   |       | Shock Absorber - Rear (inc. 9-10) |
| 9     | 0403-028    | 4   |       | Sleeve, Shock Absorber            |
| 10    | 0604-310    | 8   |       | Bushing, Shock Absorber           |
| 11    | 0603-033    | 2   | S     | Retainer, Spring                  |
| 12    | 8409-040    | 4   |       | Screw, Cap                        |
| 13    | 0404-006    | 2   | /P    | Spring, Shock Absorber            |
| 14    | 0403-025    | 2   | /P    | Collar, Spring                    |

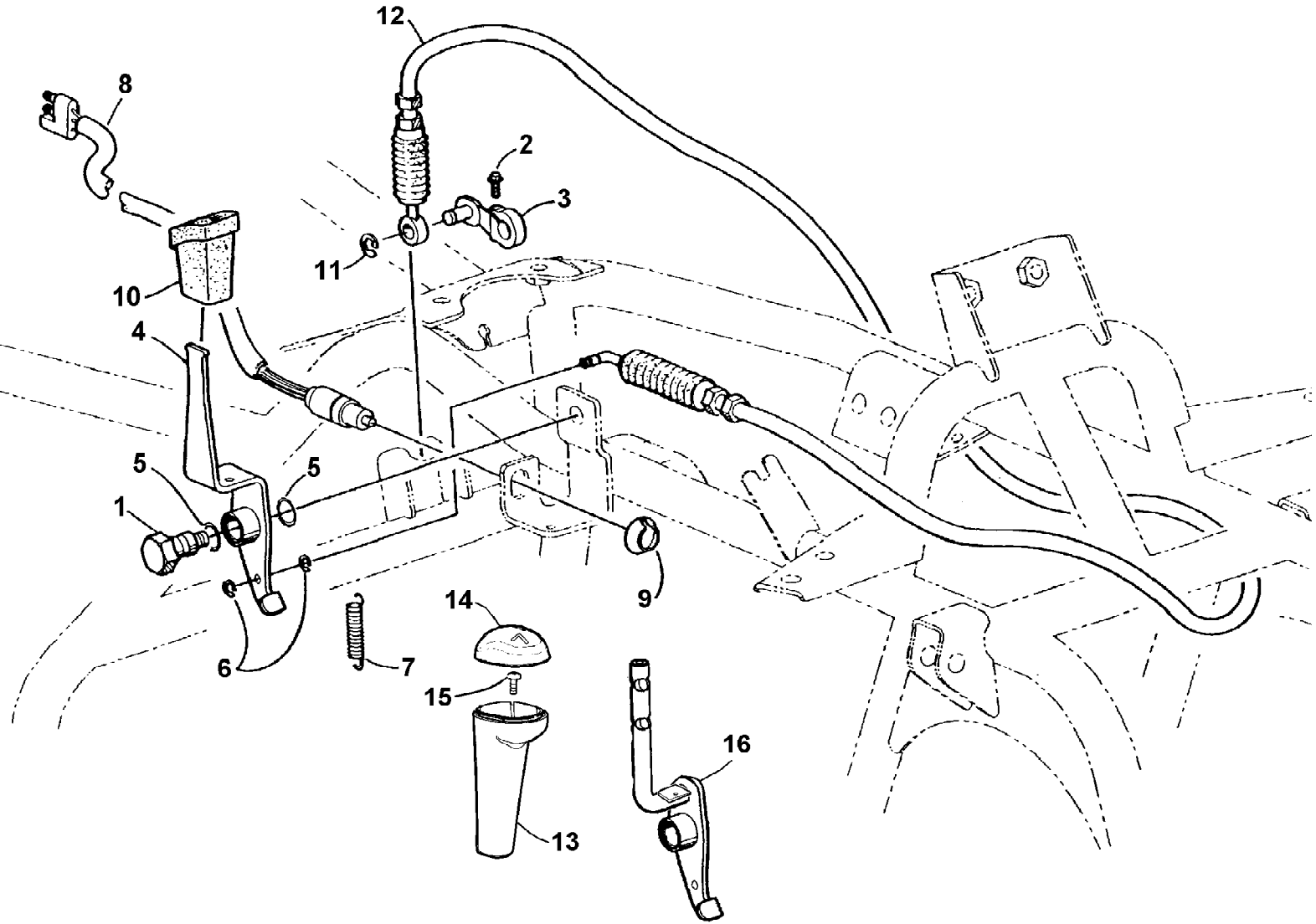
2001 400 4X4 RED (A2001ATI4AUSR) (ATV 400/500 CC MANUAL TRANSMISSION)  
RECOIL STARTER ASSEMBLY



2001 400 4X4 RED (A2001ATI4AUSR) (ATV 400/500 CC MANUAL TRANSMISSION)  
 RECOIL STARTER ASSEMBLY Page 65 of 97

| Ref # | Part Number | Qty | S/P/F | Description                            |
|-------|-------------|-----|-------|--|
| 1     | 3445-003    | 1   |       | Starter, Recoil - Assembly (inc. 2-12) |
| 2     | 3445-004    | 1   |       | Reel                                   |
| 3     | 3445-016    | 1   |       | Ratchet Assembly (inc. 4 and 6-10)     |
| 4     | 0           | 1   | F     | Pin, Ratchet                           |
| 5     | 3445-007    | 1   |       | Spring, Spiral                         |
| 6     | 0           | 1   | F     | Spring, Friction                       |
| 7     | 0           | 1   | F     | Shaft                                  |
| 8     | 0           | 1   | F     | Cover, Spring                          |
| 9     | 0           | 1   | F     | Plate, Friction                        |
| 10    | 0           | 1   | F     | Guide, Ratchet                         |
| 11    | 3004-488    | 1   | S/P   | Nut                                    |
| 12    | 3445-011    | 1   |       | Rope Assembly                          |
| 13    | 3445-013    | 1   | /P    | Gasket                                 |
| 14    | 3423-112    | 4   | S     | Screw, Cap                             |
| 15    | 3445-015    | 1   |       | Cup, Starter (400)                     |
| 15    | 3445-026    | 1   | S     | Cup, Starter (500)                     |
| 16    | 3004-491    | 1   | S/P   | Nut                                    |
| 17    | 3423-053    | 1   | /P    | O-Ring                                 |

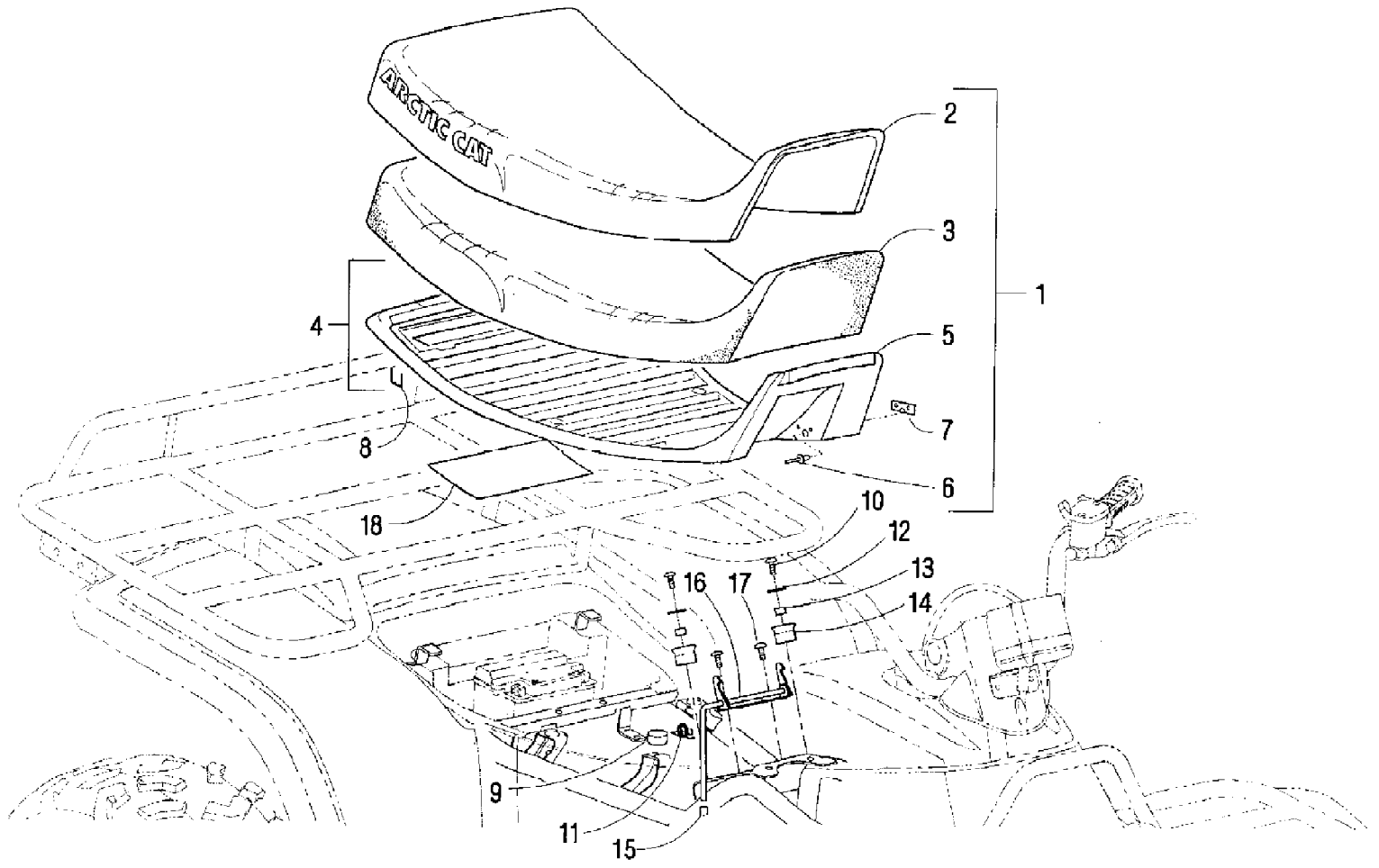
2001 400 4X4 RED (A2001ATI4AUSR) (ATV 400/500 CC MANUAL TRANSMISSION)  
REVERSE SHIFT LEVER ASSEMBLY



2001 400 4X4 RED (A2001ATI4AUSR) (ATV 400/500 CC MANUAL TRANSMISSION)  
 REVERSE SHIFT LEVER ASSEMBLY

Page 167 of 97

| Ref # | Part Number | Qty | S/P/F | Description                       |
|-------|-------------|-----|-------|-----------------------------------|
| 1     | 0402-239    | 1   |       | Axle, Reverse Shift               |
| 2     | 8476-620    | 1   |       | Screw, Cap                        |
| 3     | 3446-055    | 1   |       | Arm, Reverse Shift                |
| 4     | 0502-219    | 1   | S     | Lever, Reverse (400)              |
| 5     | 0423-096    | 2   |       | O-Ring                            |
| 6     | 0423-063    | 2   |       | E-Ring                            |
| 7     | 0402-802    | 1   | /P    | Spring, Reverse Lever             |
| 8     | 0409-008    | 1   |       | Reverse Switch                    |
| 9     | 0402-168    | 1   | /P    | Retainer, Switch                  |
| 10    | 0402-062    | 1   |       | Handle, Reverse Shift Lever (400) |
| 11    | 3423-168    | 1   | S     | E-Ring                            |
| 12    | 0487-003    | 1   |       | Cable, Shift                      |
| 13    | 0402-508    | 1   |       | Handle, Lever - Shift (500)       |
| 14    | 0402-782    | 1   |       | Cap, Shift Lever (500)            |
| 15    | 8477-610    | 1   |       | Screw, Machine (500)              |
| 16    | 0502-212    | 1   | S     | Lever, Reverse (500)              |

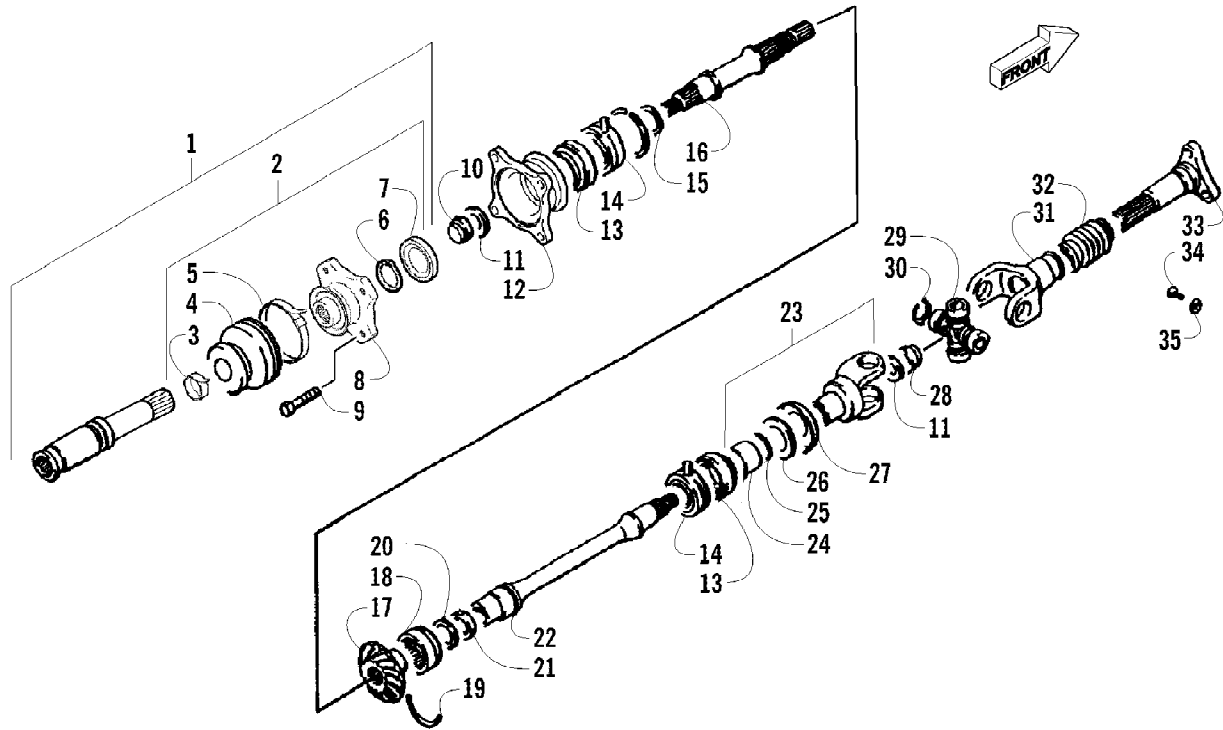




2001 400 4X4 RED (A2001ATI4AUSR) (ATV 400/500 CC MANUAL TRANSMISSION)  
 SEAT ASSEMBLY Page 69 of 97

| Ref # | Part Number | Qty | S/P/F | Description                    |
|-------|-------------|-----|-------|--------------------------------|
| 1     | 5990-176    | 1   | /P    | Seat Assembly (inc. 2-8)       |
| 2     | 0506-290    | 1   |       | Cover, Seat                    |
| 3     | 0506-291    | 1   |       | Foam, Seat                     |
| 4     | 0506-223    | 1   | /P    | Base, Seat Assembly (inc. 5-7) |
| 5     | 0           | 1   | F     | Base, Seat                     |
| 6     | 8061-628    | 4   |       | Rivet                          |
| 7     | 0506-147    | 2   | S     | Pin, Seat-Base - Front         |
| 8     | 0624-100    | AR  |       | Staple                         |
| 9     | 0406-309    | 2   |       | Grommet, Seat - Center         |
| 10    | 8476-620    | 2   |       | Screw, Cap                     |
| 11    | 0406-235    | 1   |       | Spring, Seat Latch             |
| 12    | 8050-217    | 2   | /P    | Washer                         |
| 13    | 0406-199    | 2   |       | Collar, Front Seat-Base        |
| 14    | 0406-171    | 2   |       | Bumper, Seat-Base - Front      |
| 15    | 0623-404    | 1   |       | Cap, Protector                 |
| 16    | 0406-103    | 1   | S     | Latch, Seat - Assembly         |
| 17    | 8477-616    | 2   |       | Screw, Machine (2X4)           |
| 17    | 8476-616    | 2   |       | Screw, Machine (4X4)           |
| 18    | 0411-182    | 1   |       | Decal, Cold Start              |

2001 400 4X4 RED (A2001ATI4AUSR) (ATV 400/500 CC MANUAL TRANSMISSION)  
SECONDARY DRIVE ASSEMBLY

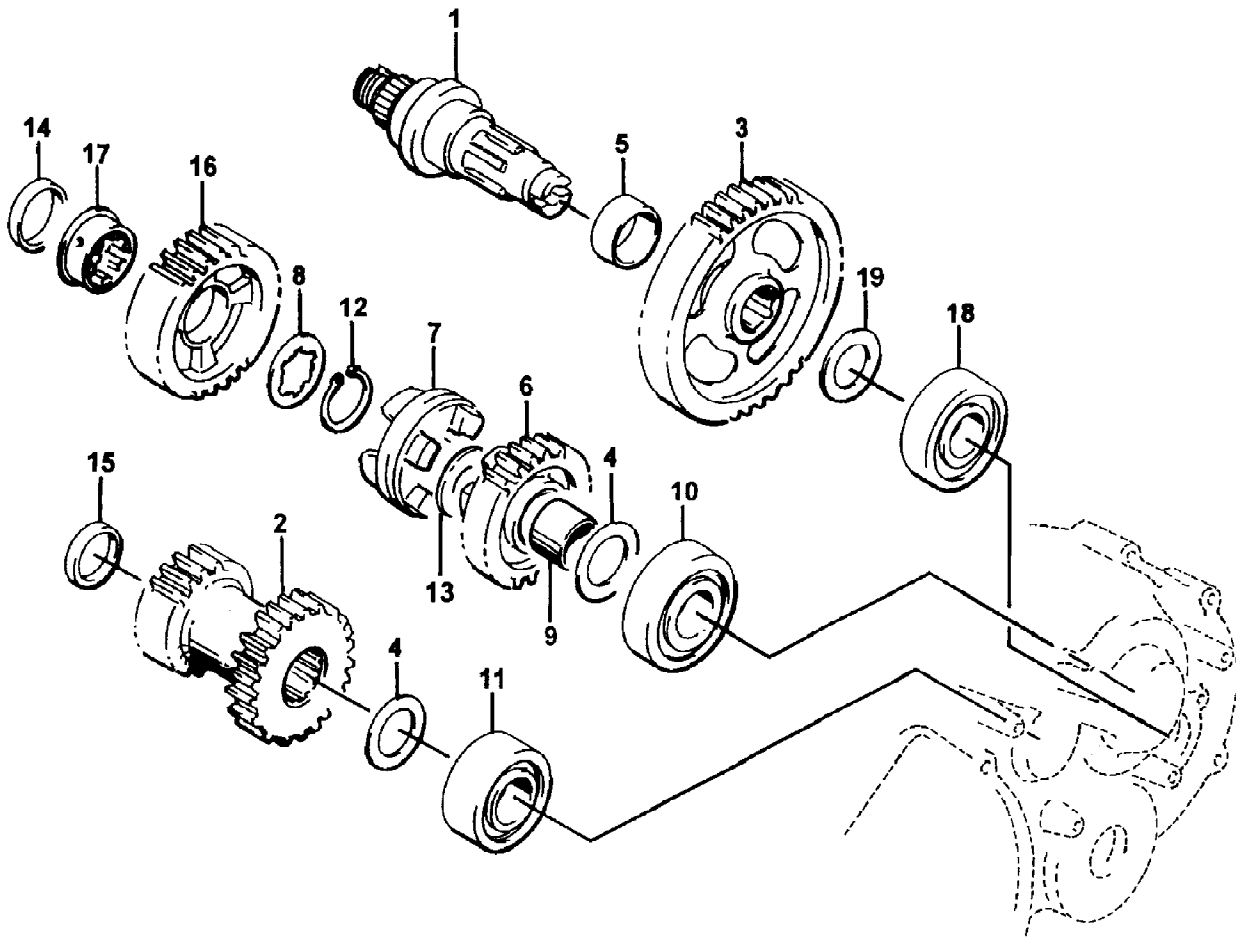


2001 400 4X4 RED (A2001ATI4AUSR) (ATV 400/500 CC MANUAL TRANSMISSION)  
SECONDARY DRIVE ASSEMBLY

Page 1 of 97

| Ref # | Part Number | Qty | S/P/F | Description                            |
|-------|-------------|-----|-------|--|
| 1     | 3435-010    | 1   |       | Joint Assembly, Rear Output (inc. 2-8) |
| 2     | 3435-066    | 1   |       | Boot, Joint - Set (inc. 3-7)           |
| 3     | 3423-212    | 1   |       | Band                                   |
| 4     | 3435-067    | 1   |       | Boot                                   |
| 5     | 3423-211    | 1   |       | Band                                   |
| 6     | 3423-210    | 1   |       | Ring, Snap                             |
| 7     | 3423-356    | 1   |       | Seal, Plate                            |
| 8     | 0           | 1   | F     | Flange, Output                         |
| 9     | 8408-820    | 4   | /P    | Screw, Cap                             |
| 10    | 3423-025    | 1   |       | Nut                                    |
| 11    | 3423-028    | 2   |       | Washer                                 |
| 12    | 3435-003    | 1   | S     | Flange, Output Joint                   |
| 13    | 3402-072    | 2   |       | Seal, Oil                              |
| 14    | 3402-067    | 2   | S     | Bearing w/ Locating Ring and Pin       |
| 15    | 3402-017    | 1   |       | Shim - 0.60 mm                         |
| 15    | 3402-018    | 1   |       | Shim - 0.65 mm                         |
| 15    | 3402-019    | 1   |       | Shim - 0.70 mm                         |
| 15    | 3402-020    | 1   |       | Shim - 0.75 mm                         |
| 15    | 3402-021    | 1   | S     | Shim - 0.80 mm                         |
| 15    | 3402-022    | 1   |       | Shim - 0.85 mm                         |
| 15    | 3402-023    | 1   |       | Shim - 0.90 mm                         |
| 15    | 3402-024    | 1   |       | Shim - 0.95 mm                         |
| 15    | 3402-025    | 1   | S     | Shim - 1.00 mm                         |
| 15    | 3402-028    | 1   |       | Shim - 1.05 mm                         |
| 15    | 3402-029    | 1   |       | Shim - 1.10 mm                         |
| 15    | 3402-030    | 1   |       | Shim - 1.15 mm                         |
| 15    | 3402-031    | 1   |       | Shim - 1.20 mm                         |
| 16    | 3446-240    | 1   | S     | Shaft - Rear                           |
| 17    | 3446-222    | 1   | /P    | Gear                                   |
| 18    | 3402-062    | 1   | S     | Bearing w/Groove                       |
| 19    | 3423-072    | 1   |       | Ring, Bearing                          |
| 20    | 3423-137    | 1   |       | Washer                                 |
| 21    | 3423-136    | 1   |       | Nut                                    |
| 22    | 3446-239    | 1   |       | Shaft - Front                          |
| 23    | 3435-001    | 1   | S     | Yoke, Drive Output (inc. 24-27)        |
| 24    | 3435-029    | 1   |       | Collar, Yoke                           |
| 25    | 3423-060    | 1   |       | O-Ring                                 |
| 26    | 3435-030    | 1   |       | Plate, Yoke Collar                     |
| 27    | 3423-035    | 1   |       | Plate, Yoke Collar                     |
| 28    | 3423-025    | 1   |       | Nut                                    |
| 29    | 3435-011    | 1   |       | Joint Set, Universal (inc. 30)         |
| 30    | 3423-067    | 4   |       | Circlip                                |
| 31    | 3435-002    | 1   |       | Yoke, Joint                            |
| 32    | 3402-518    | 1   | S     | Boot, Propeller Shaft                  |
| 33    | 0502-226    | 1   |       | Shaft, Propeller                       |
| 34    | 3004-552    | 1   | S     | Screw, Cap                             |
| 35    | 3423-135    | 2   |       | Retainer                               |

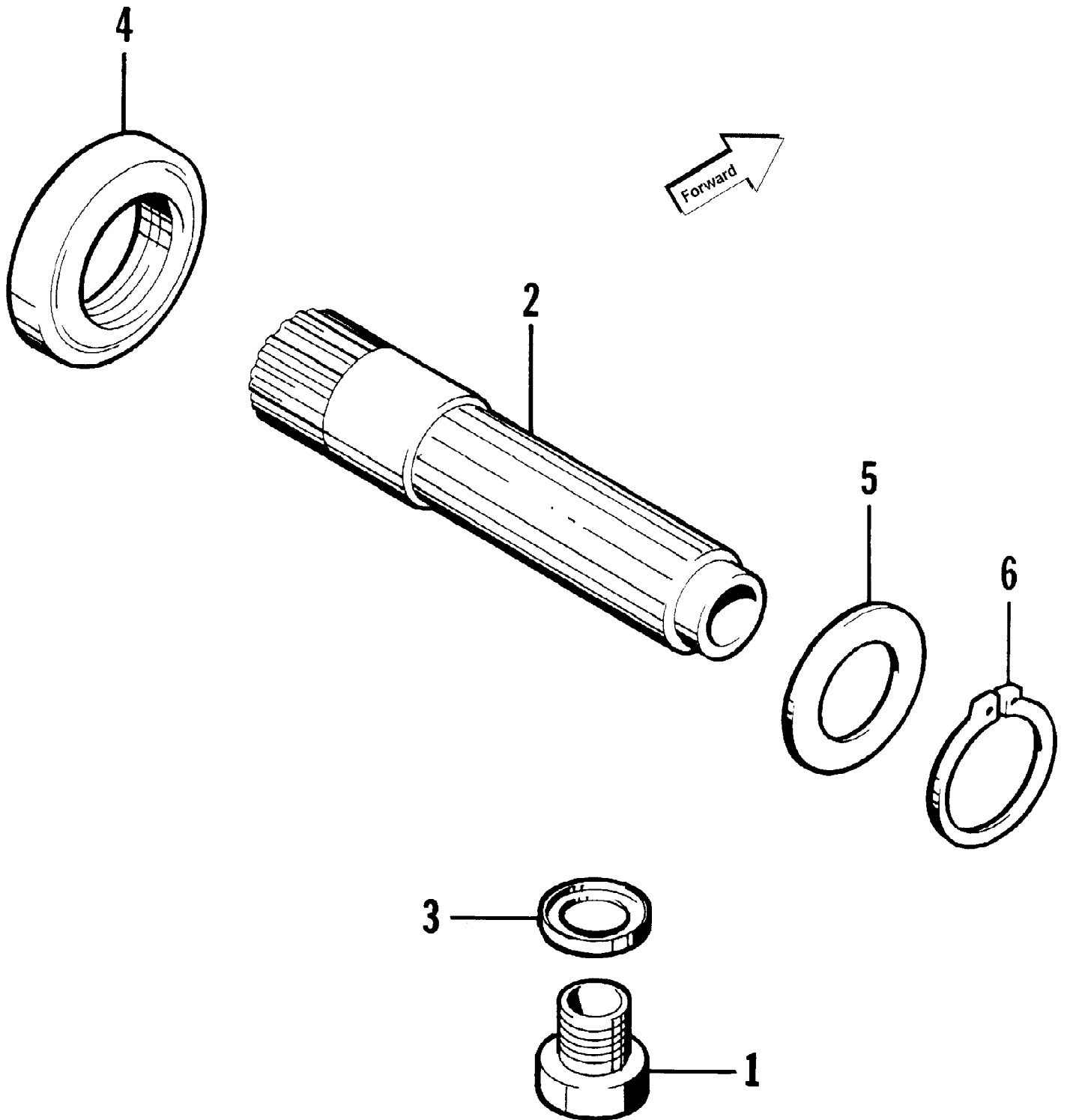
2001 400 4X4 RED (A2001ATI4AUSR) (ATV 400/500 CC MANUAL TRANSMISSION)  
SECONDARY TRANSMISSION ASSEMBLY (4X4)



2001 400 4X4 RED (A2001ATI4AUSR) (ATV 400/500 CC MANUAL TRANSMISSION)  
 SECONDARY TRANSMISSION ASSEMBLY (4X4) Page 173 of 97

| Ref # | Part Number | Qty | S/P/F | Description                  |
|-------|-------------|-----|-------|------------------------------|
| 1     | 3446-262    | 1   | /P    | Shaft, Output                |
| 2     | 3446-066    | 1   |       | Gear, Idle                   |
| 3     | 3446-072    | 1   |       | Gear, Driven                 |
| 4     | 3423-150    | 2   | /P    | Washer (400)                 |
| 4     | 3402-391    | 2   | S     | Washer (500)                 |
| 5     | 3402-015    | 1   |       | Spacer, Drive                |
| 6     | 3446-070    | 1   |       | Gear No. 2 (400)             |
| 6     | 3446-248    | 1   |       | Gear No. 2 (500)             |
| 7     | 3446-108    | 1   |       | Dog, Select Sliding (400)    |
| 7     | 3446-249    | 1   |       | Dog, Select Sliding (500)    |
| 8     | 3423-036    | 1   |       | Washer                       |
| 9     | 3446-103    | 1   |       | Bushing                      |
| 10    | 3402-046    | 1   |       | Bearing, Driveshaft - Left   |
| 11    | 3402-047    | 1   | S     | Bearing, Center Shaft - Left |
| 12    | 3423-066    | 1   | /P    | Circlip No. 1                |
| 13    | 3423-126    | 1   | /P    | Washer, Gear No. 2 (400)     |
| 13    | 3402-195    | 1   |       | Washer, Gear No. 2 (500)     |
| 14    | 3446-068    | 1   |       | Spacer (400)                 |
| 14    | 3446-246    | 1   |       | Spacer (500)                 |
| 15    | 3423-148    | 1   |       | Spacer, Idle Gear            |
| 16    | 3446-067    | 1   |       | Gear No. 1 (400)             |
| 16    | 3446-245    | 1   |       | Gear No. 1 (500)             |
| 17    | 3446-069    | 1   | S     | Bushing (400)                |
| 17    | 3446-247    | 1   |       | Bushing (500)                |
| 18    | 3402-045    | 1   | /P    | Bearing Set - Left           |
| 19    | 3423-150    | 1   | /P    | Washer                       |

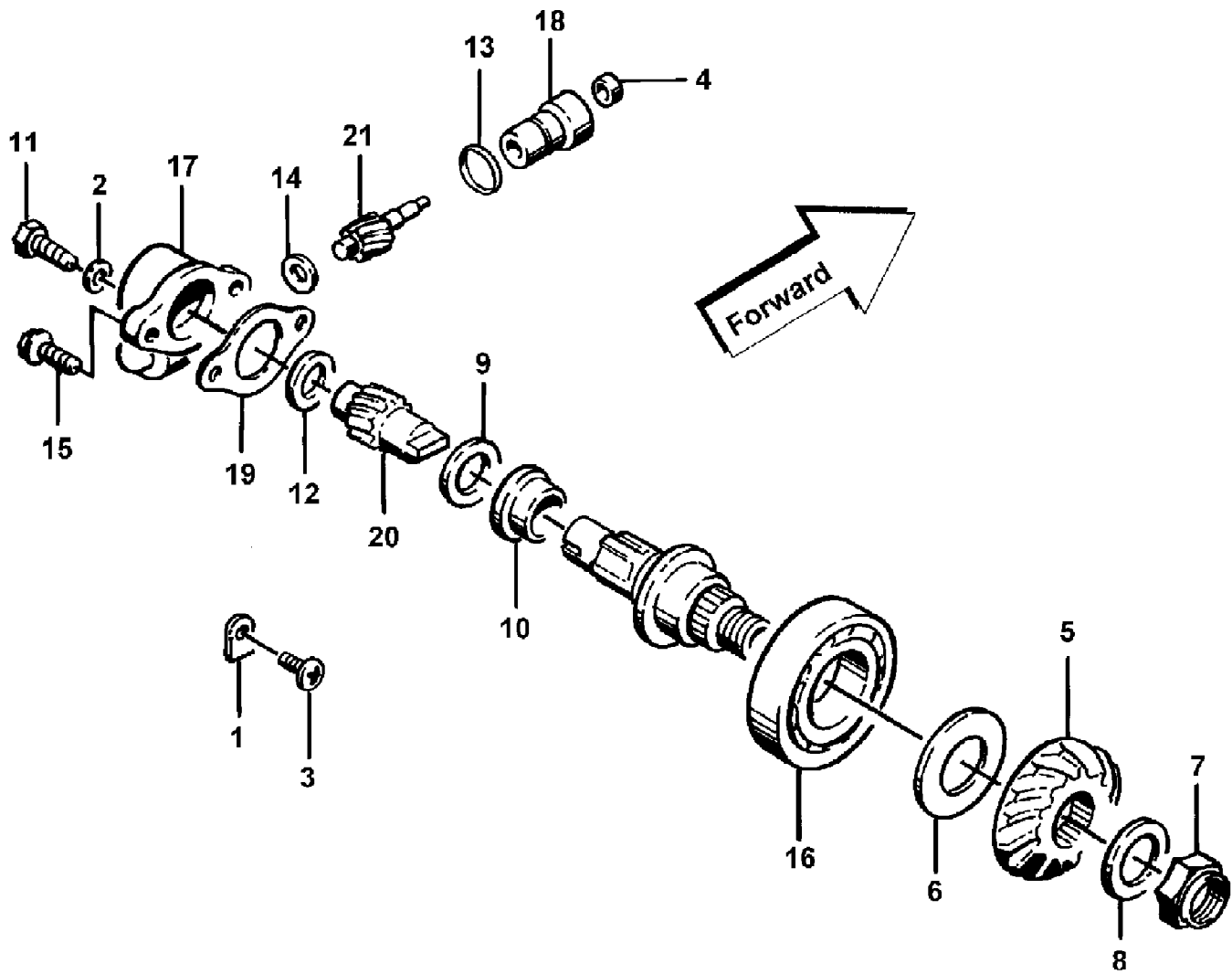
2001 400 4X4 RED (A2001ATI4AUSR) (ATV 400/500 CC MANUAL TRANSMISSION)  
SHIFTER ASSEMBLY (2X4) 174 of 97



2001 400 4X4 RED (A2001ATI4AUSR) (ATV 400/500 CC MANUAL TRANSMISSION)  
SHIFTER ASSEMBLY (2X4) Page 175 of 97

| Ref # | Part Number | Qty | S/P/F | Description             |
|-------|-------------|-----|-------|-------------------------|
| 1     | 3446-046    | 1   |       | Plug, Oil               |
| 2     | 3446-225    | 1   |       | Guide, Gear Shift Shaft |
| 3     | 3402-012    | 1   |       | Gasket, Oil Plug        |
| 4     | 3402-071    | 1   | /P    | Seal, Oil               |
| 5     | 3005-167    | 1   |       | Washer, Thrust          |
| 6     | 3423-193    | 1   | S/P   | Circlip                 |

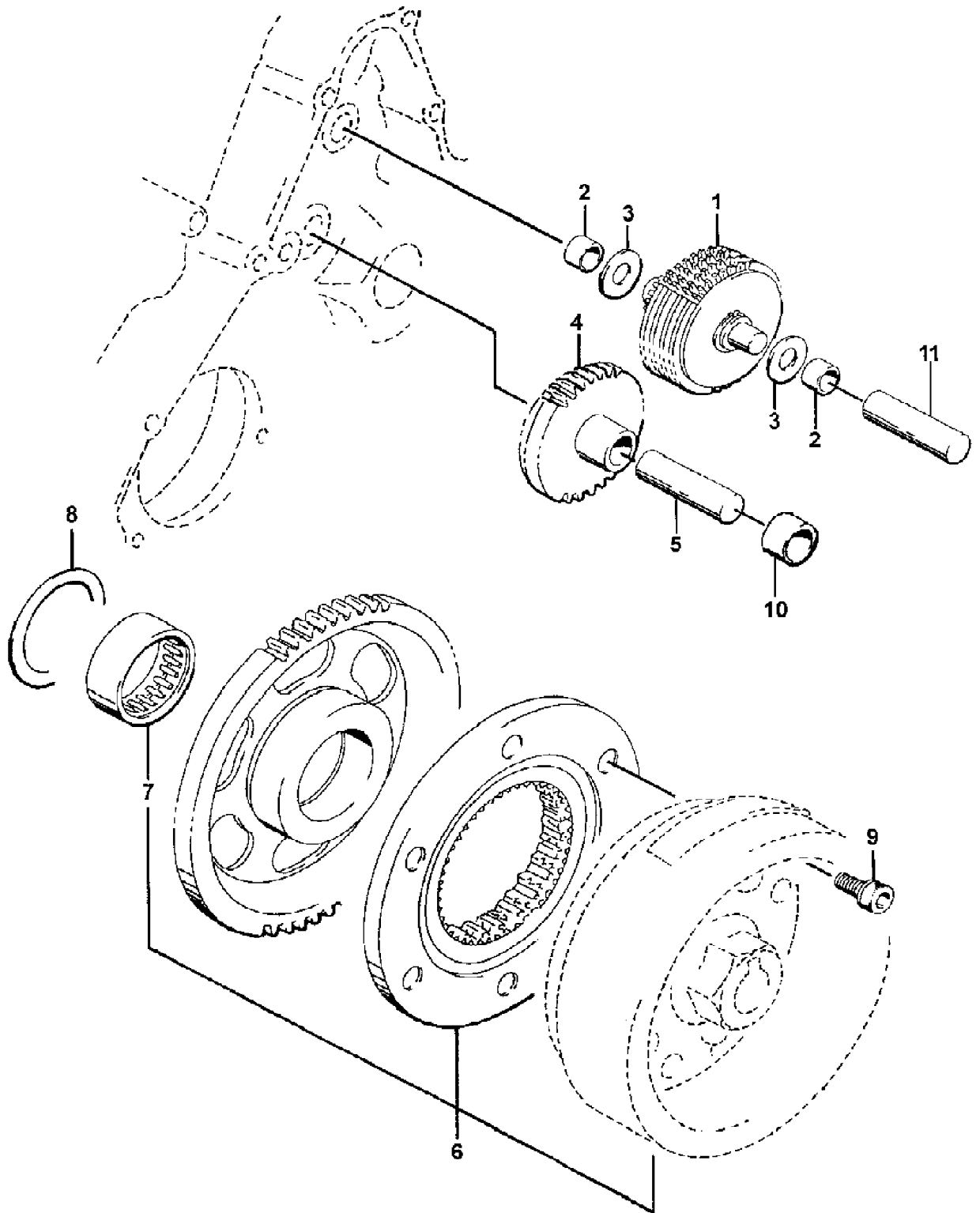
2001 400 4X4 RED (A2001ATI4AUSR) (ATV 400/500 CC MANUAL TRANSMISSION)  
SPEEDOMETER DRIVE ASSEMBLY (4X4)





2001 400 4X4 RED (A2001ATI4AUSR) (ATV 400/500 CC MANUAL TRANSMISSION)  
 SPEEDOMETER DRIVE ASSEMBLY (4X4) Page 177 of 97

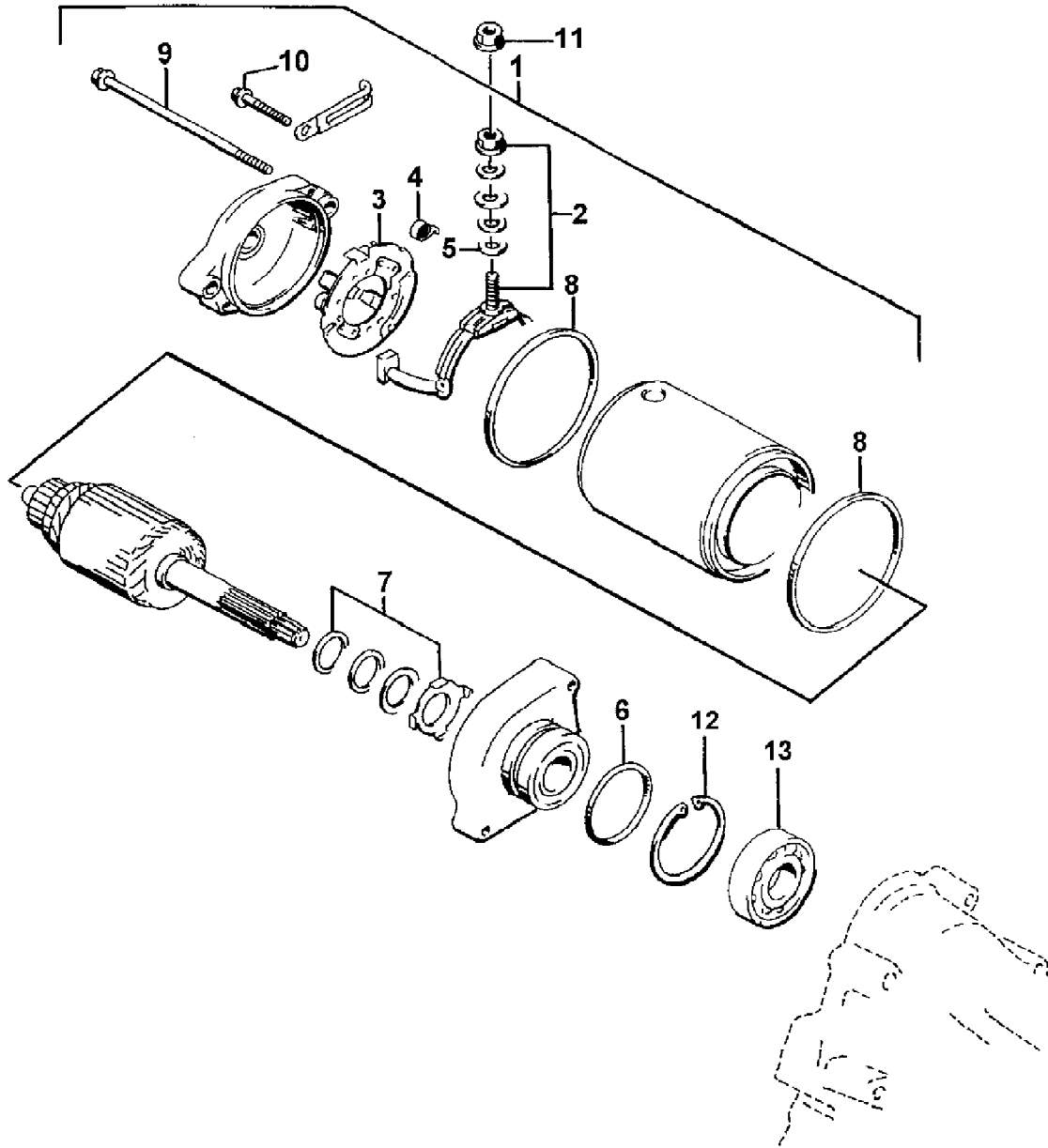
| Ref # | Part Number | Qty | S/P/F | Description               |
|-------|-------------|-----|-------|---------------------------|
| 1     | 3446-031    | 2   | /P    | Retainer, Bearing         |
| 2     | 3402-009    | 1   | /P    | Washer, Drive             |
| 3     | 3004-552    | 2   | S     | Screw, Retainer           |
| 4     | 3402-077    | 1   |       | Seal, Driven Gear         |
| 5     | 3446-221    | 1   | S     | Gear                      |
| 6     | 3446-035    | 1   |       | Shim Set                  |
| 7     | 3423-023    | 1   |       | Nut                       |
| 8     | 3423-032    | 1   |       | Washer                    |
| 9     | 3423-146    | 1   |       | Washer - Right            |
| 10    | 3446-114    | 1   | /P    | Spacer, Drive Gear        |
| 11    | 3423-143    | 1   | S     | Bolt, Gear                |
| 12    | 3423-145    | 1   |       | Washer                    |
| 13    | 3423-056    | 1   |       | O-Ring                    |
| 14    | 3423-144    | 1   |       | Washer                    |
| 15    | 3423-346    | 2   | S     | Bolt, Housing             |
| 16    | 3402-180    | 1   | S     | Bearing Set - Right       |
| 17    | 3446-057    | 1   |       | Housing, Speedometer Gear |
| 18    | 3446-058    | 1   |       | Sleeve                    |
| 19    | 3446-244    | 1   | /P    | Gasket                    |
| 20    | 3446-060    | 1   |       | Gear, Drive               |
| 21    | 3446-061    | 1   |       | Gear, Driven              |



2001 400 4X4 RED (A2001ATI4AUSR) (ATV 400/500 CC MANUAL TRANSMISSION)  
 STARTER CLUTCH ASSEMBLY Page 179 of 97

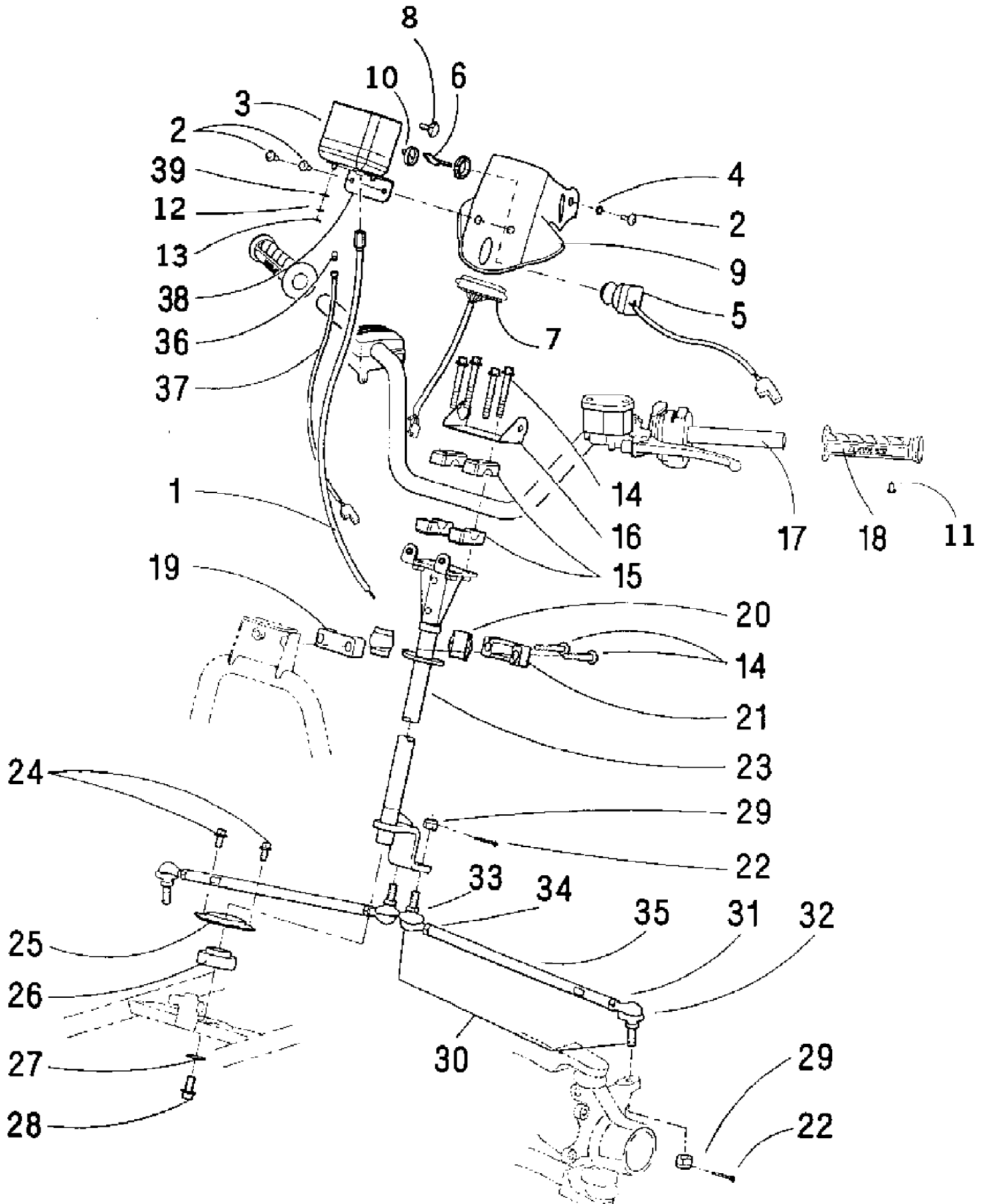
| Ref # | Part Number | Qty | S/P/F | Description                          |
|-------|-------------|-----|-------|--------------------------------------|
| 1     | 3402-344    | 1   | S     | Gear, Starter - Idle No.1 (400)      |
| 1     | 3402-123    | 1   |       | Limiter, Idle Gear - Assembly (500)  |
| 2     | 3402-125    | 2   |       | Bushing (500)                        |
| 3     | 3423-103    | 2   | /P    | Washer (500)                         |
| 4     | 3402-124    | 1   |       | Gear, Starter Idle No. 2 (400)       |
| 4     | 3402-349    | 1   |       | Gear, Starter Idle (500)             |
| 5     | 3423-042    | 1   |       | Pin                                  |
| 6     | 3402-122    | 1   | S     | Clutch, Starter - Set (inc. 7) (2X4) |
| 6     | 3402-380    | 1   | /P    | Clutch, Starter - Set (inc. 7)       |
| 7     | 3402-063    | 1   |       | Bearing                              |
| 8     | 3423-104    | 1   |       | Washer                               |
| 9     | 3423-102    | 6   | S     | Screw, Cap                           |
| 10    | 3423-352    | 1   |       | Spacer (500)                         |
| 11    | 3423-331    | 1   |       | Pin (400)                            |

2001 400 4X4 RED (A2001ATI4AUSR) (ATV 400/500 CC MANUAL TRANSMISSION)  
STARTER MOTOR ASSEMBLY



2001 400 4X4 RED (A2001ATI4AUSR) (ATV 400/500 CC MANUAL TRANSMISSION)  
 STARTER MOTOR ASSEMBLY Page 1 of 97

| Ref # | Part Number | Qty | S/P/F | Description                              |
|-------|-------------|-----|-------|--|
| 1     | 3545-012    | 1   | S     | Motor, Starter Assembly (inc. 2-9) (400) |
| 1     | 3545-014    | 1   | /P    | Motor, Starter Assembly (inc. 2-9) (500) |
| 2     | 3008-094    | 1   | /P    | Terminal Set, Brush                      |
| 3     | 3008-095    | 1   | /P    | Holder Set, Brush                        |
| 4     | 3008-096    | 4   |       | Spring, Brush                            |
| 5     | 3008-164    | 1   |       | O-Ring                                   |
| 6     | 3423-084    | 1   |       | O-Ring                                   |
| 7     | 3436-001    | 1   |       | Washer Set                               |
| 8     | 3008-553    | 2   | /P    | O-Ring                                   |
| 9     | 3423-085    | 2   |       | Screw, Cap                               |
| 10    | 3423-162    | 2   | S     | Screw, Cap                               |
| 11    | 3423-195    | 1   | /P    | Nut                                      |
| 12    | 3423-201    | 1   | /P    | Circlip                                  |
| 13    | 3402-043    | 1   | /P    | Bearing, Pinion Shaft                    |

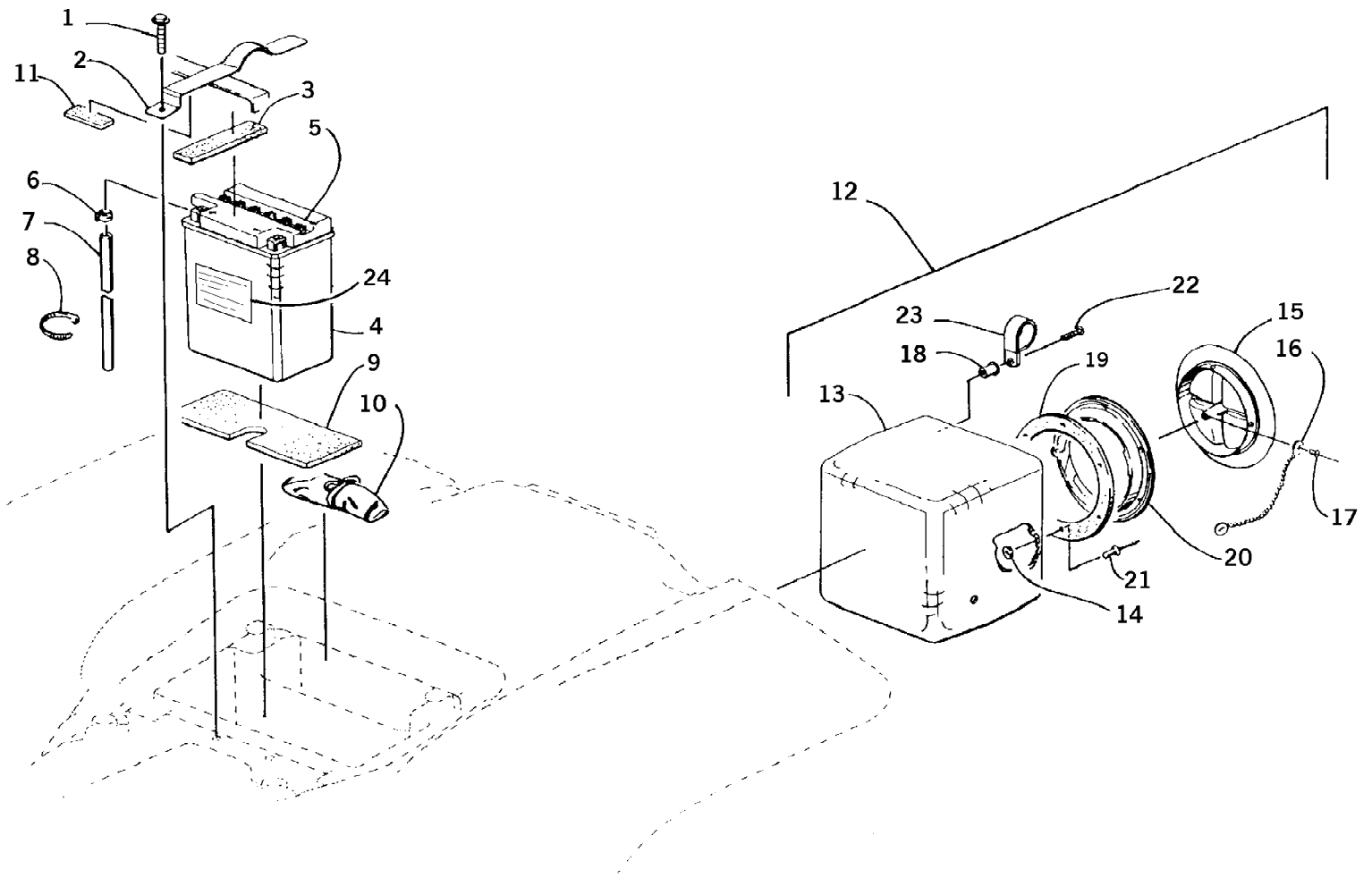


2001 400 4X4 RED (A2001ATI4AUSR) (ATV 400/500 CC MANUAL TRANSMISSION)  
STEERING ASSEMBLY

Page 83 of 97

| Ref # | Part Number | Qty | S/P/F | Description                          |
|-------|-------------|-----|-------|--------------------------------------|
| 1     | 0487-005    | 1   |       | Cable, Speedometer (4X4)             |
| 2     | 8477-616    | 3   |       | Screw, Machine                       |
| 3     | 0420-031    | 1   | /P    | Speedometer (inc. 36-41) (4X4)       |
| 4     | 0423-052    | 1   |       | Collar, Body                         |
| 5     | 3430-040    | 1   |       | Switch, Ignition - Assembly (inc. 6) |
| 6     | 3409-007    | 1   | /P    | Key, Ignition - Blank (C Series)     |
| 6     | 3409-011    | 1   |       | Key, Ignition - Blank (D Series)     |
| 6     | 3409-012    | 1   |       | Key, Ignition - Blank (E Series)     |
| 6     | 3409-013    | 1   |       | Key, Ignition - Blank (F Series)     |
| 7     | 0420-022    | 1   | S     | Panel, LED (400 4x4/500)             |
| 7     | 0420-029    | 1   | S     | Panel, LED (400 2x4)                 |
| 8     | 0420-027    | 1   |       | Knob, Speedometer Trip               |
| 9     | 0405-063    | 1   |       | Instrument Pod                       |
| 10    | 0409-013    | 1   |       | Cover, Key                           |
| 11    | 8060-428    | 2   |       | Rivet                                |
| 12    | 0420-017    | 2   |       | Washer (4X4)                         |
| 13    | 0420-015    | 2   |       | Pin, Retainer (4X4)                  |
| 14    | 8408-860    | 6   |       | Screw, Cap                           |
| 15    | 0405-035    | 4   |       | Cap, Steering Adjuster               |
| 16    | 0506-348    | 1   | /P    | Bracket, Ignition Switch             |
| 17    | 0505-028    | 1   | S     | Tube, Handlebar                      |
| 18    | 0405-039    | 2   | /P    | Grip, Handlebar                      |
| 19    | 0605-171    | 1   |       | Housing, Bearing - Lower             |
| 20    | 0405-020    | 2   |       | Bearing, Steering Post               |
| 21    | 0605-147    | 1   | S     | Housing, Bearing - Upper             |
| 22    | 0623-175    | 4   |       | Pin, Cotter                          |
| 23    | 0505-073    | 1   | S     | Post, Steering                       |
| 24    | 8408-816    | 2   |       | Screw, Cap                           |
| 25    | 0602-233    | 1   |       | Flange, Bearing                      |
| 26    | 0405-052    | 1   |       | Bearing w/Inverted Oil Seal          |
| 27    | 0423-073    | 1   |       | Washer                               |
| 28    | 8409-020    | 1   | /P    | Screw, Cap                           |
| 29    | 0423-157    | 4   |       | Nut, Top Lock                        |
| 30    | 0505-072    | 2   | /P    | Tie Rod, Assembly (inc. 31-35)       |
| 31    | 8420-002    | 2   | /P    | Nut - Right                          |
| 32    | 0405-082    | 2   | S     | Ball Joint, Tie Rod - Right          |
| 33    | 0405-083    | 2   | S     | Ball Joint, Tie Rod - Left           |
| 34    | 0423-013    | 2   |       | Nut - Left                           |
| 35    | 0405-032    | 2   |       | Tie Rod                              |
| 36    | 0420-019    | 1   | S     | Bulb, Speedometer                    |
| 37    | 0420-014    | 1   |       | Harness, Speedometer (4X4)           |
| 38    | 0420-018    | 1   |       | Bracket, Speedometer (4X4)           |
| 39    | 0420-016    | 2   |       | Mount, Rubber (4X4)                  |

2001 400 4X4 RED (A2001ATI4AUSR) (ATV 400/500 CC MANUAL TRANSMISSION)  
STORAGE BOX AND BATTERY ASSEMBLY



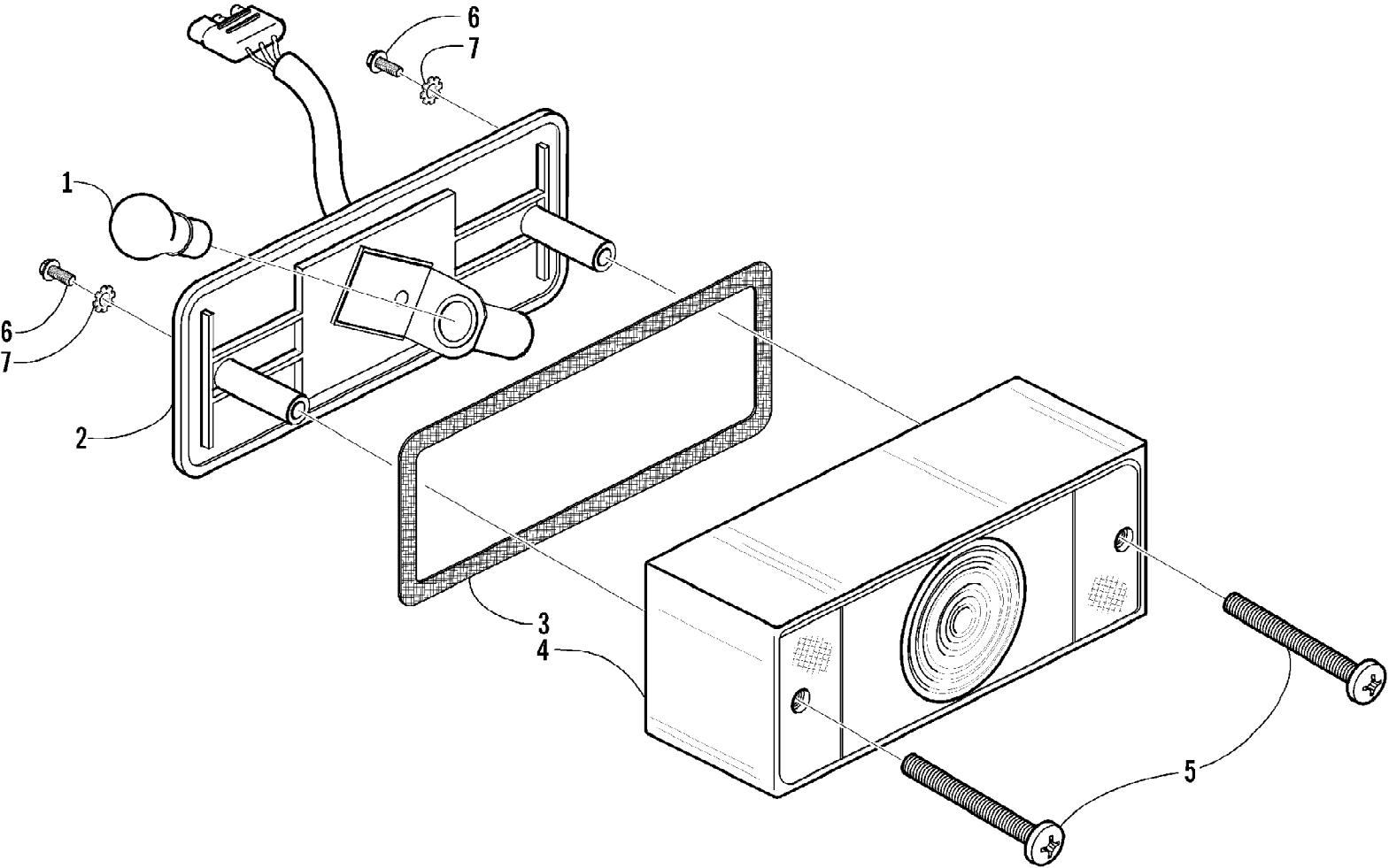


2001 400 4X4 RED (A2001ATI4AUSR) (ATV 400/500 CC MANUAL TRANSMISSION)  
STORAGE BOX AND BATTERY ASSEMBLY

Page 85 of 97

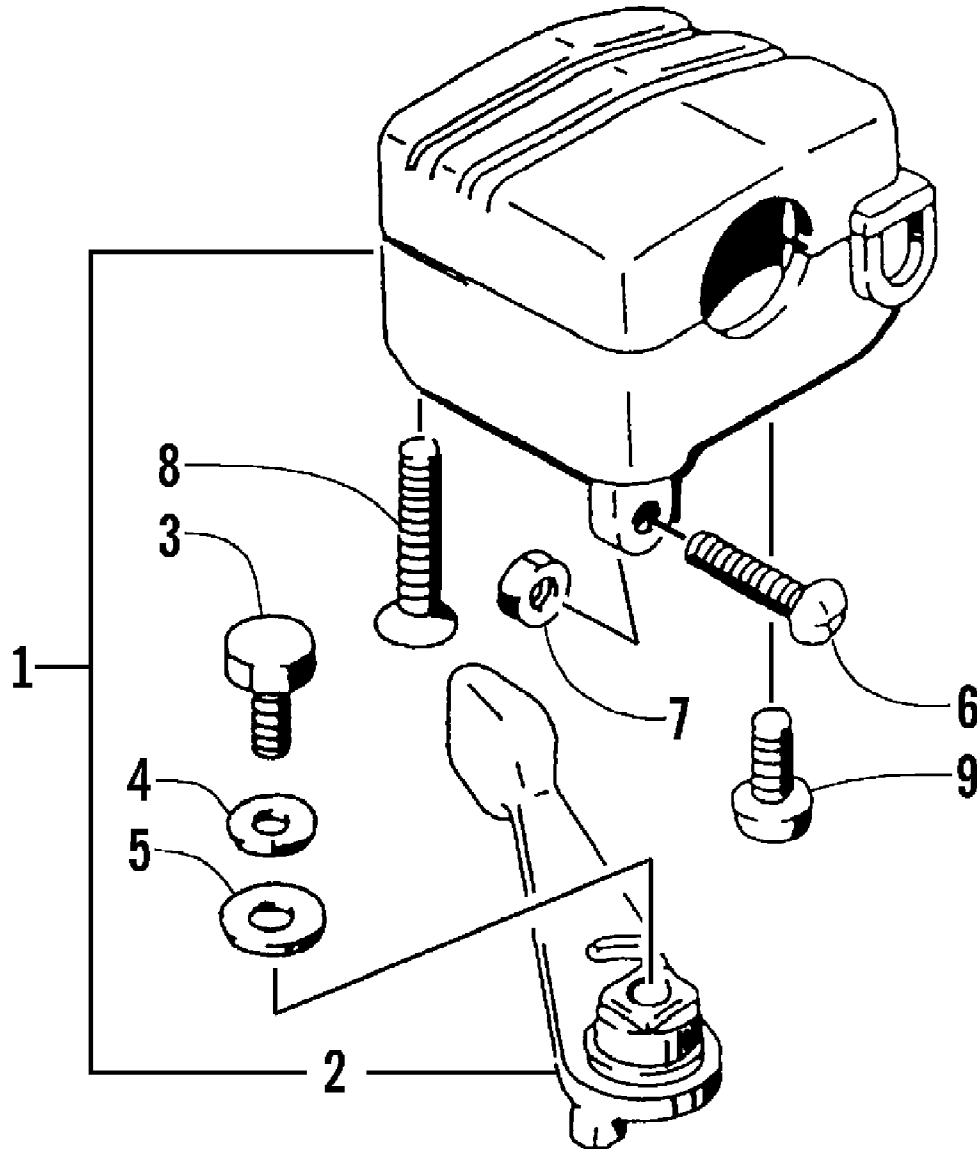
| Ref # | Part Number | Qty | S/P/F | Description                               |
|-------|-------------|-----|-------|---|
| 1     | 8476-616    | 1   |       | Screw, Machine                            |
| 2     | 0506-178    | 1   |       | Strap, Battery w/Pads (inc. 3 and 11)     |
| 3     | 0406-289    | 1   |       | Pad, Battery - Upper Rear                 |
| 4     | 0445-005    | 1   | S     | Battery Assembly (inc. 5-7)               |
| 5     | 0645-045    | 6   |       | Cap, Battery                              |
| 6     | 0645-152    | 1   |       | Clamp, Hose                               |
| 7     | 0645-263    | 1   | /P    | Hose, Battery Vent                        |
| 8     | 0123-903    | 1   |       | Cable Tie - 11.5 in.                      |
| 9     | 0406-227    | 1   |       | Pad, Battery - Lower                      |
| 10    | 0444-079    | 1   | S/P   | Kit, Tool                                 |
| 11    | 0406-288    | 1   |       | Pad, Battery - Upper Front                |
| 12    | 0506-102    | 1   | /P    | Storage Box - Assembly (inc. 13-21) (4X4) |
| 13    | 0406-257    | 1   | S     | Box, Tool (4X4)                           |
| 14    | 8050-152    | 6   |       | Washer (4X4)                              |
| 15    | 0406-208    | 1   |       | Lid, Tool Box (4X4)                       |
| 16    | 0773-401    | 1   |       | Chain, Storage (4X4)                      |
| 17    | 8061-223    | 2   | /P    | Rivet (4X4)                               |
| 18    | 0123-010    | 4   | /P    | Nut, Expansion (4X4)                      |
| 19    | 0673-973    | 1   |       | Seal, Storage Cover (4X4)                 |
| 20    | 0406-205    | 1   | /P    | Ring, Mounting - Storage Box Lid (4X4)    |
| 21    | 8060-630    | 6   |       | Rivet (4X4)                               |
| 22    | 0623-301    | 4   | /P    | Screw, Self-Tapping                       |
| 23    | 0423-044    | 4   |       | Clamp, Tube (4X4)                         |
| 24    | 0645-151    | 1   |       | Decal, Warning - Battery                  |

2001 400 4X4 RED (A2001ATI4AUSR) (ATV 400/500 CC MANUAL TRANSMISSION) 86 of 97  
TAILLIGHT ASSEMBLY



2001 400 4X4 RED (A2001ATI4AUSR) (ATV 400/500 CC MANUAL TRANSMISSION) 87 of 97  
 TAILLIGHT ASSEMBLY

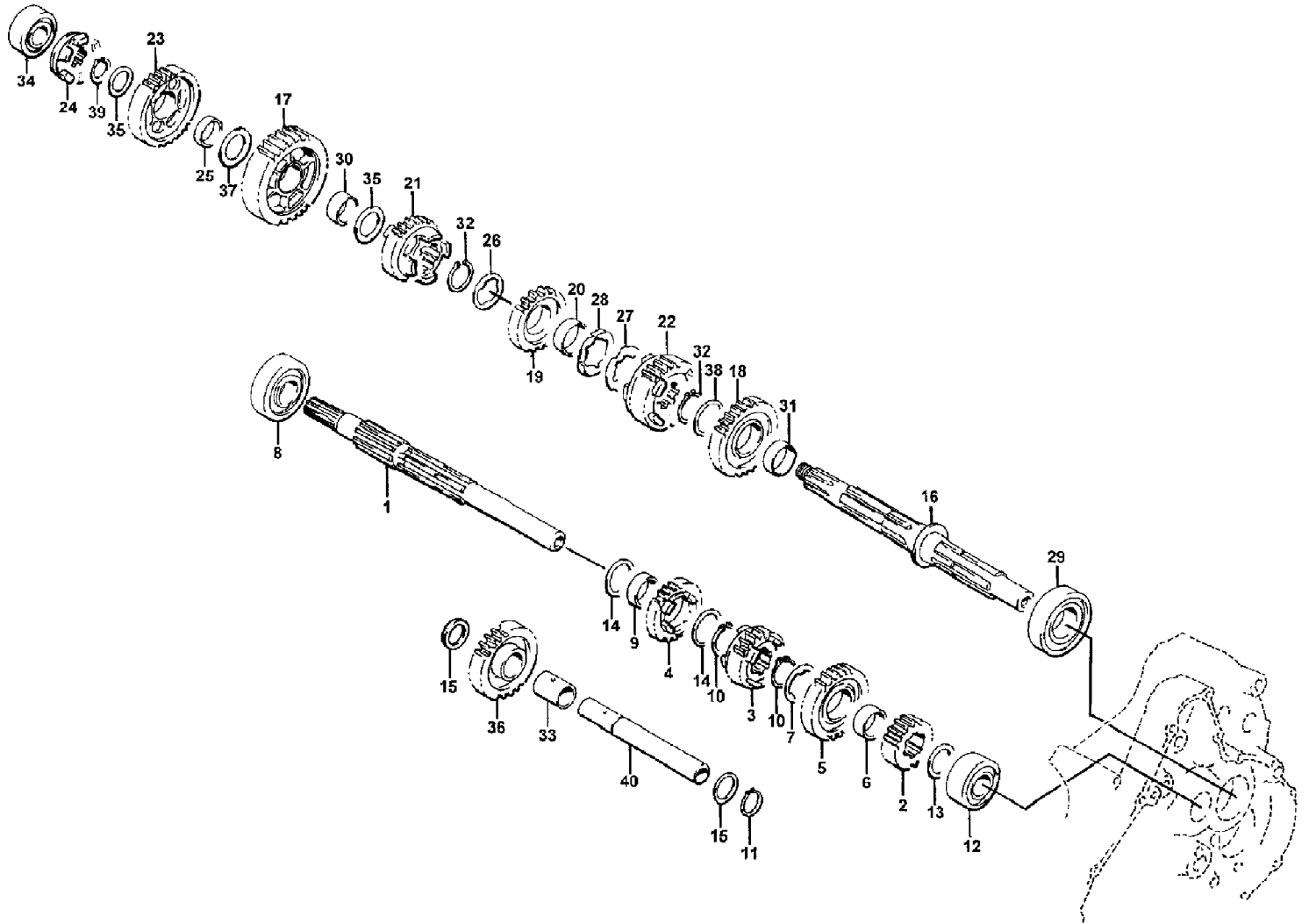
| Ref # | Part Number | Qty | S/P/F | Description                   |
|-------|-------------|-----|-------|-------------------------------|
|       | 0409-002    | 1   |       | Complete Taillight Assembly   |
| 1     | 0109-460    | 1   | /P    | Bulb, Stop/Taillight          |
| 2     | 0409-011    | 1   |       | Taillight w/Socket Assembly   |
| 3     | 0409-012    | 1   |       | Gasket, Taillight Lens        |
| 4     | 0409-007    | 1   |       | Lens, Taillight               |
| 5     | 0409-010    | 2   |       | Screw, Machine                |
| 6     | 0623-301    | 2   | /P    | Screw, Self-Tapping           |
| 7     | 8053-212    | 2   | /P    | Washer, Lock - External Tooth |



2001 400 4X4 RED (A2001ATI4AUSR) (ATV 400/500 CC MANUAL TRANSMISSION) 89 of 97  
 THROTTLE CONTROL ASSEMBLY

| Ref # | Part Number | Qty | S/P/F | Description                             |
|-------|-------------|-----|-------|---|
| 1     | 3509-003    | 1   | /P    | Control, Throttle - Assembly (inc. 2-9) |
| 2     | 3409-001    | 1   |       | Lever                                   |
| 3     | 3004-533    | 1   | S/P   | Screw, Cap                              |
| 4     | 3004-447    | 1   | /P    | Washer, Lock                            |
| 5     | 3003-030    | 1   | /P    | Washer                                  |
| 6     | 3423-014    | 1   |       | Screw                                   |
| 7     | 3423-327    | 1   |       | Nut                                     |
| 8     | 3423-199    | 2   |       | Screw                                   |
| 9     | 3004-638    | 1   | /P    | Screw                                   |

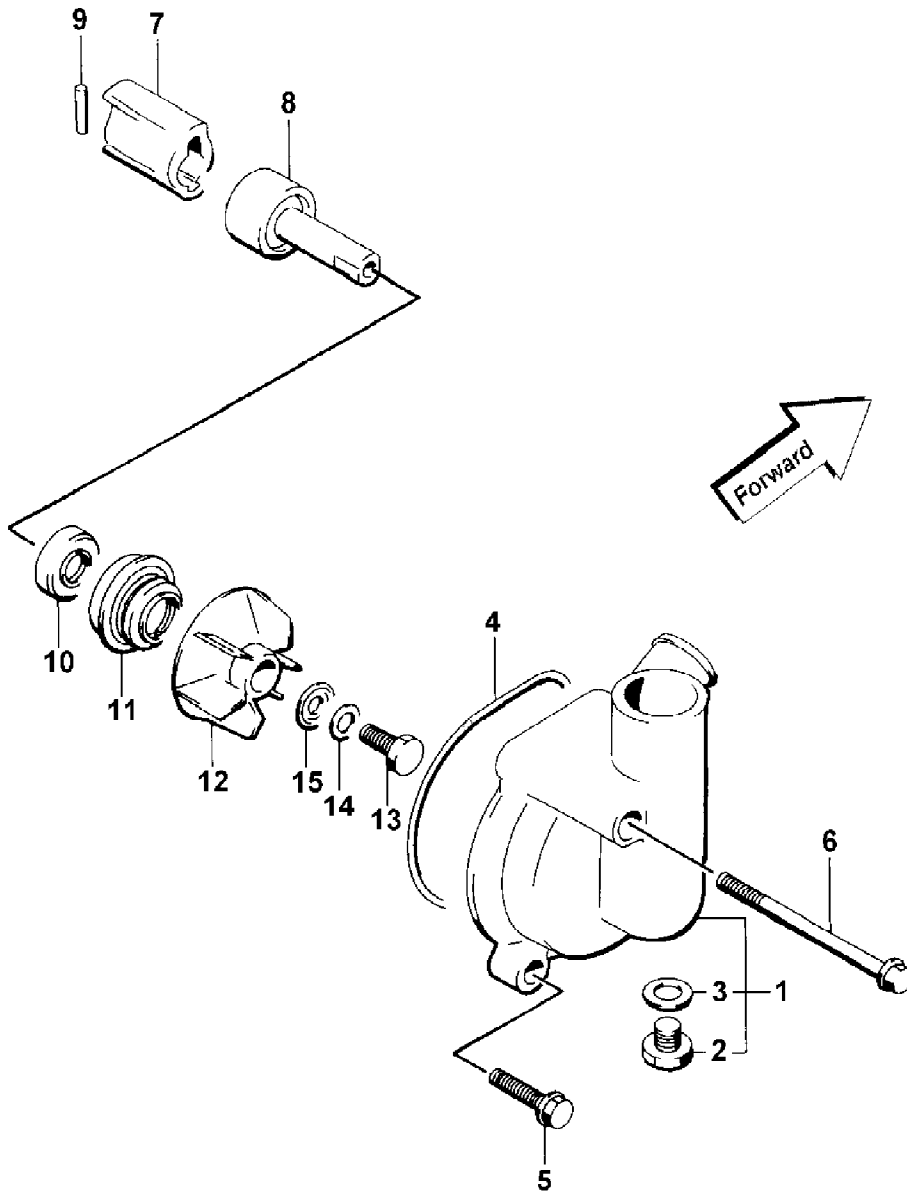
2001 400 4X4 RED (A2001ATI4AUSR) (ATV 400/500 CC MANUAL TRANSMISSION) 90 of 97  
TRANSMISSION ASSEMBLY



2001 400 4X4 RED (A2001ATI4AUSR) (ATV 400/500 CC MANUAL TRANSMISSION) 91 of 97  
TRANSMISSION ASSEMBLY

| Ref # | Part Number | Qty | S/P/F | Description                   |
|-------|-------------|-----|-------|-------------------------------|
| 1     | 3446-014    | 1   |       | Countershaft                  |
| 2     | 3446-016    | 1   |       | Gear, 2nd Drive               |
| 3     | 3446-215    | 1   |       | Gear, 3rd Drive               |
| 4     | 3446-018    | 1   |       | Gear, 4th Drive               |
| 5     | 3446-216    | 1   |       | Gear, 5th Drive               |
| 6     | 3446-020    | 1   |       | Bushing, 5th Drive Gear       |
| 7     | 3423-037    | 1   |       | Washer, 5th Drive Gear        |
| 8     | 3402-050    | 1   |       | Bearing, Center Shaft - Right |
| 9     | 3402-081    | 1   |       | Bushing, 4th Drive Gear       |
| 10    | 3423-066    | 2   | /P    | Circlip, 4th Drive            |
| 11    | 3423-190    | 1   | S     | Circlip, Reverse Idle         |
| 12    | 3402-179    | 1   |       | Bearing, Center Shaft         |
| 13    | 3402-195    | 1   |       | Shim                          |
| 14    | 3423-187    | 2   | /P    | Washer, 4th Drive             |
| 15    | 3423-126    | 2   | /P    | Washer, Reverse Idle          |
| 16    | 3446-015    | 1   |       | Driveshaft (400)              |
| 16    | 3446-234    | 1   |       | Driveshaft (500)              |
| 17    | 3446-217    | 1   | S     | Gear, 1st Driven (400)        |
| 17    | 3446-235    | 1   | /P    | Gear, 1st Driven (500)        |
| 18    | 3446-022    | 1   |       | Gear, 2nd Driven              |
| 19    | 3446-218    | 1   |       | Gear, 3rd Driven              |
| 20    | 3446-024    | 1   |       | Bushing, 3rd Driven           |
| 21    | 3446-219    | 1   | /P    | Gear, 4th Driven              |
| 22    | 3446-220    | 1   |       | Gear, 5th Driven              |
| 23    | 3446-029    | 1   |       | Gear, Reverse Driven          |
| 24    | 3446-030    | 1   |       | Dog, Reverse                  |
| 25    | 3446-032    | 1   |       | Bushing, Reverse Driven       |
| 26    | 3423-038    | 1   |       | Washer, 3rd Driven - Right    |
| 27    | 3423-039    | 1   |       | Washer, 3rd Driven - Left     |
| 28    | 3423-040    | 1   |       | Washer, 3rd Driven - Left     |
| 29    | 3402-336    | 1   |       | Bearing, Driveshaft           |
| 30    | 3402-080    | 1   | S     | Bushing, 1st Driven           |
| 31    | 3402-082    | 1   |       | Bushing, 2nd Driven           |
| 32    | 3423-188    | 2   | S     | Circlip, 2nd Driven           |
| 33    | 3446-238    | 1   |       | Bushing, Reverse Idle         |
| 34    | 3003-320    | 1   | /P    | Bearing, Driveshaft - Right   |
| 35    | 3402-335    | 2   |       | Washer, Reverse Driven        |
| 36    | 3446-237    | 1   |       | Gear, Reverse Idle            |
| 37    | 3423-131    | 1   |       | Washer, 1st Driven - Right    |
| 38    | 3003-605    | 1   | /P    | Washer, 2nd Driven (400)      |
| 38    | 3402-383    | 1   |       | Washer, 2nd Driven (500)      |
| 39    | 3423-189    | 1   | S     | Circlip, Reverse Driven       |
| 40    | 3446-236    | 1   |       | Shaft, Reverse Idle           |

2001 400 4X4 RED (A2001ATI4AUSR) (ATV 400/500 CC MANUAL TRANSMISSION) 92 of 97  
WATER PUMP ASSEMBLY

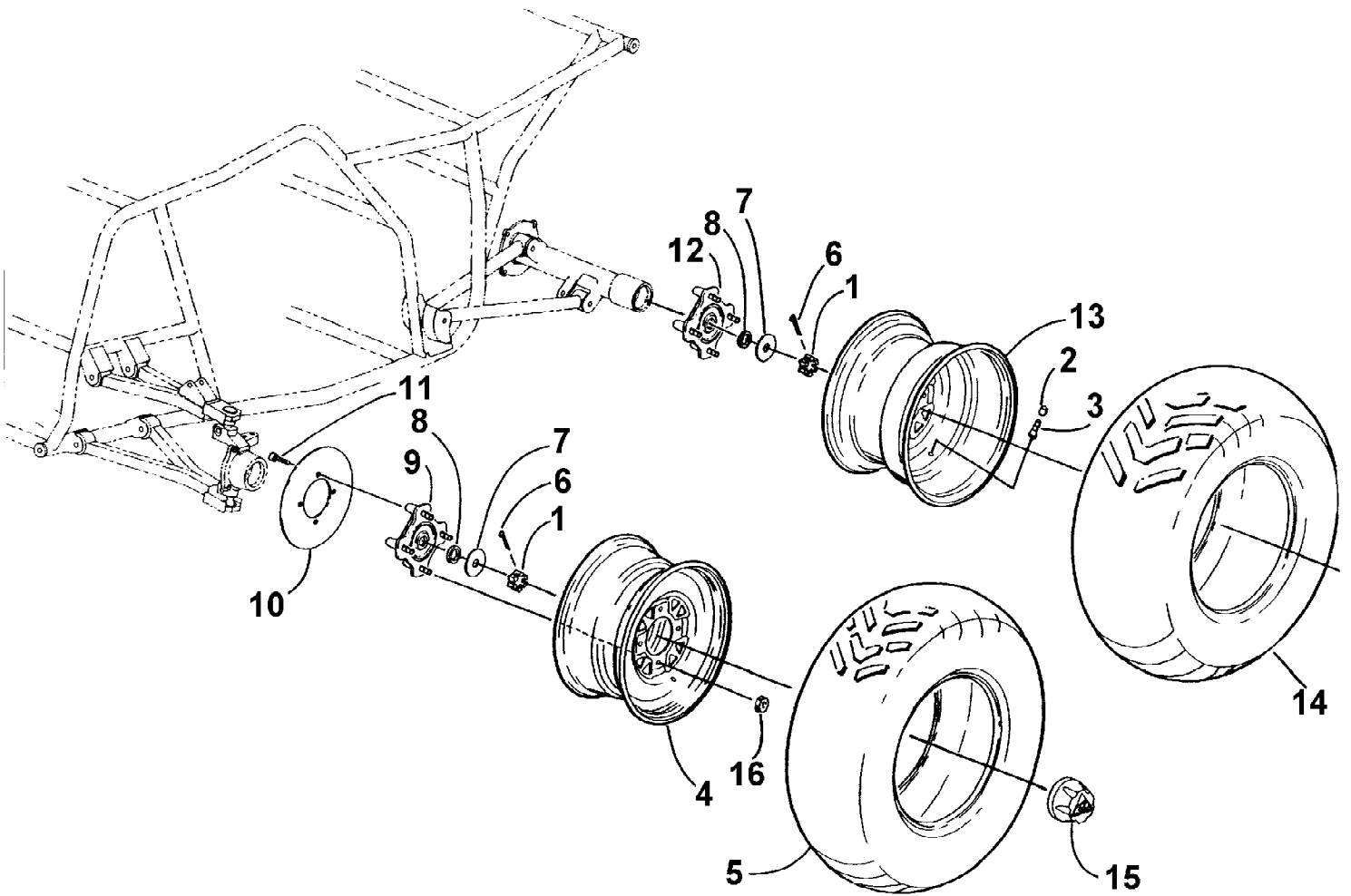




2001 400 4X4 RED (A2001ATI4AUSR) (ATV 400/500 CC MANUAL TRANSMISSION) 93 of 97  
 WATER PUMP ASSEMBLY

| Ref # | Part Number | Qty | S/P/F | Description                       |
|-------|-------------|-----|-------|-----------------------------------|
| 1     | 3402-159    | 1   | S     | Case, Water Pump (inc. 2-3) (400) |
| 1     | 3402-354    | 1   | /P    | Case, Water Pump (inc. 2-3) (500) |
| 2     | 3423-185    | 1   |       | Screw, Cap (400)                  |
| 2     | 3423-343    | 1   |       | Screw, Cap (500)                  |
| 3     | 3003-188    | 1   | S/P   | Gasket                            |
| 4     | 3423-078    | 1   |       | O-Ring                            |
| 5     | 3004-507    | 2   | S     | Screw, Cap                        |
| 6     | 3423-119    | 1   | S     | Screw, Cap                        |
| 7     | 3413-010    | 1   | S/P   | Joint, Pump Drive (400)           |
| 7     | 3413-011    | 1   | /P    | Joint, Pump Drive (500)           |
| 8     | 3413-002    | 1   |       | Shaft, Water Pump w/Bearing       |
| 9     | 3423-046    | 1   |       | Pin                               |
| 10    | 3003-356    | 1   |       | Seal, Pump Drive                  |
| 11    | 3402-360    | 1   | S     | Seal, Mechanical                  |
| 12    | 3413-001    | 1   |       | Impeller                          |
| 13    | 3003-426    | 1   |       | Screw, Cap                        |
| 14    | 3003-431    | 1   | /P    | Washer                            |
| 15    | 3003-432    | 1   |       | Gasket                            |

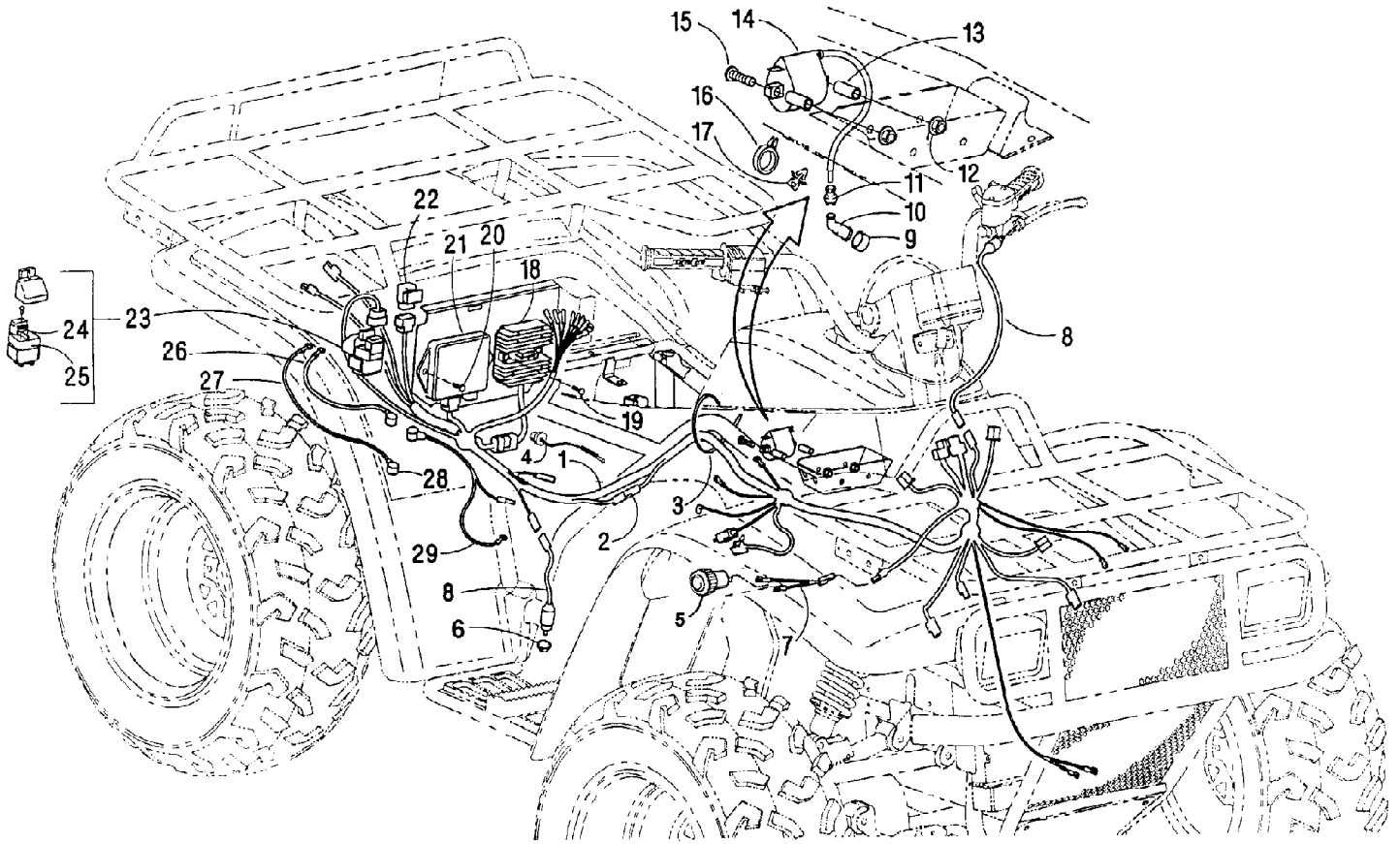
2001 400 4X4 RED (A2001ATI4AUSR) (ATV 400/500 CC MANUAL TRANSMISSION) 94 of 97  
WHEEL AND TIRE ASSEMBLY



2001 400 4X4 RED (A2001ATI4AUSR) (ATV 400/500 CC MANUAL TRANSMISSION) 95 of 97  
 WHEEL AND TIRE ASSEMBLY

| Ref # | Part Number | Qty | S/P/F | Description              |
|-------|-------------|-----|-------|--------------------------|
| 1     | 3423-213    | 4   |       | Nut, Hex                 |
| 2     | 0402-140    | 4   |       | Cap, Valve Stem          |
| 3     | 0402-064    | 4   |       | Stem, Valve              |
| 4     | 0402-657    | 2   |       | Wheel - Front            |
| 5     | 0402-318    | 2   | /P    | Tire - Front (400)       |
| 5     | 0402-319    | 2   | /P    | Tire - Front (500)       |
| 6     | 0123-458    | 4   | /P    | Pin, Cotter              |
| 7     | 0423-080    | 4   |       | Washer                   |
| 8     | 0402-181    | 4   |       | Seal, Hub                |
| 9     | 0502-168    | 2   | S     | Hub, Wheel - Front (2X4) |
| 9     | 0502-166    | 2   | S     | Hub, Wheel - Front (4X4) |
| 10    | 0402-482    | 3   | S     | Disc, Brake              |
| 11    | 0423-029    | 12  |       | Screw, Machine           |
| 12    | 0           | 2   | F     | Hub, Wheel - Rear        |
| 13    | 0402-753    | 2   |       | Wheel - Rear             |
| 14    | 0402-319    | 2   | /P    | Tire - Rear              |
| 15    | 0403-035    | 2   | /P    | Cap, Wheel - Center      |
| 16    | 0423-120    | 16  |       | Nut, Mounting - Wheel    |

2001 400 4X4 RED (A2001ATI4AUSR) (ATV 400/500 CC MANUAL TRANSMISSION) 96 of 97  
WIRING HARNESS ASSEMBLY



2001 400 4X4 RED (A2001ATI4AUSR) (ATV 400/500 CC MANUAL TRANSMISSION)  
WIRING HARNESS ASSEMBLY

Page 97 of 97

| Ref # | Part Number | Qty | S/P/F | Description   |
|-------|-------------|-----|-------|---|
| 1     | 0486-042    | 1   |       | Harness, Main   |
| 1     | 0486-073    | 1   |       | Harness, Main ( Vehicle Identification Number S91T306171 and Up)      |
| 2     | 0486-029    | 1   |       | Diode (Start in Gear)   |
| 3     | 0123-903    | AR  |       | Cable Tie - 11.5 in.  |
| 4     | 0586-003    | 1   |       | Diode Assembly  |
| 5     | 0445-022    | 1   | S     | Receptacle, 12V (4X4)   |
| 6     | 0402-168    | 1   | /P    | Retainer, Switch  |
| 7     | 0486-004    | 1   |       | Harness, 12V Receptacle (4X4)   |
| 8     | 0409-009    | 2   |       | Switch, Brake - Assembly  |
| 9     | 3430-008    | 1   | /P    | Seal, Spark Plug  |
| 10    | 3430-007    | 1   | /P    | Cap, Spark Plug   |
| 11    | 3430-009    | 1   | /P    | Seal, High Tension Wire   |
| 12    | 8424-602    | 2   | /P    | Nut   |
| 13    | 0107-630    | 2   |       | Spacer  |
| 14    | 3530-004    | 1   | /P    | Coil, Ignition - Assembly   |
| 15    | 8476-640    | 2   |       | Screw, Cap  |
| 16    | 0423-075    | 3   |       | Cable Tie - Push Mount  |
| 17    | 0423-065    | 1   |       | Base, Cable Tie   |
| 18    | 0530-006    | 1   |       | Regulator, Voltage  |
| 18    | 3530-028    | 1   | S     | Regulator, Voltage ( Vehicle Identification Number S91T306171 and Up) |
| 19    | 8476-625    | 2   |       | Screw, Machine  |
| 20    | 8476-616    | 2   |       | Screw, Machine  |
| 21    | 3530-003    | 1   |       | CDI Unit  |
| 22    | 3530-008    | 1   | S     | Relay, Neutral Start - Assembly                                       |
| 23    | 3530-001    | 1   | /P    | Relay, Starter Motor - Assembly (inc. 25)                             |
| 24    | 3423-020    | 2   | /P    | Screw, Cap  |
| 25    | 0630-098    | 1   |       | Fuse, 30 Amp  |
| 26    | 0445-003    | 1   | /P    | Cable, Battery/Electric Start Relay                                   |
| 27    | 0445-004    | 1   |       | Cable, Battery/Electric Start   |
| 28    | 0645-019    | 3   |       | Boot, Terminal  |
| 29    | 0445-002    | 1   |       | Cable, Battery/Ground   |