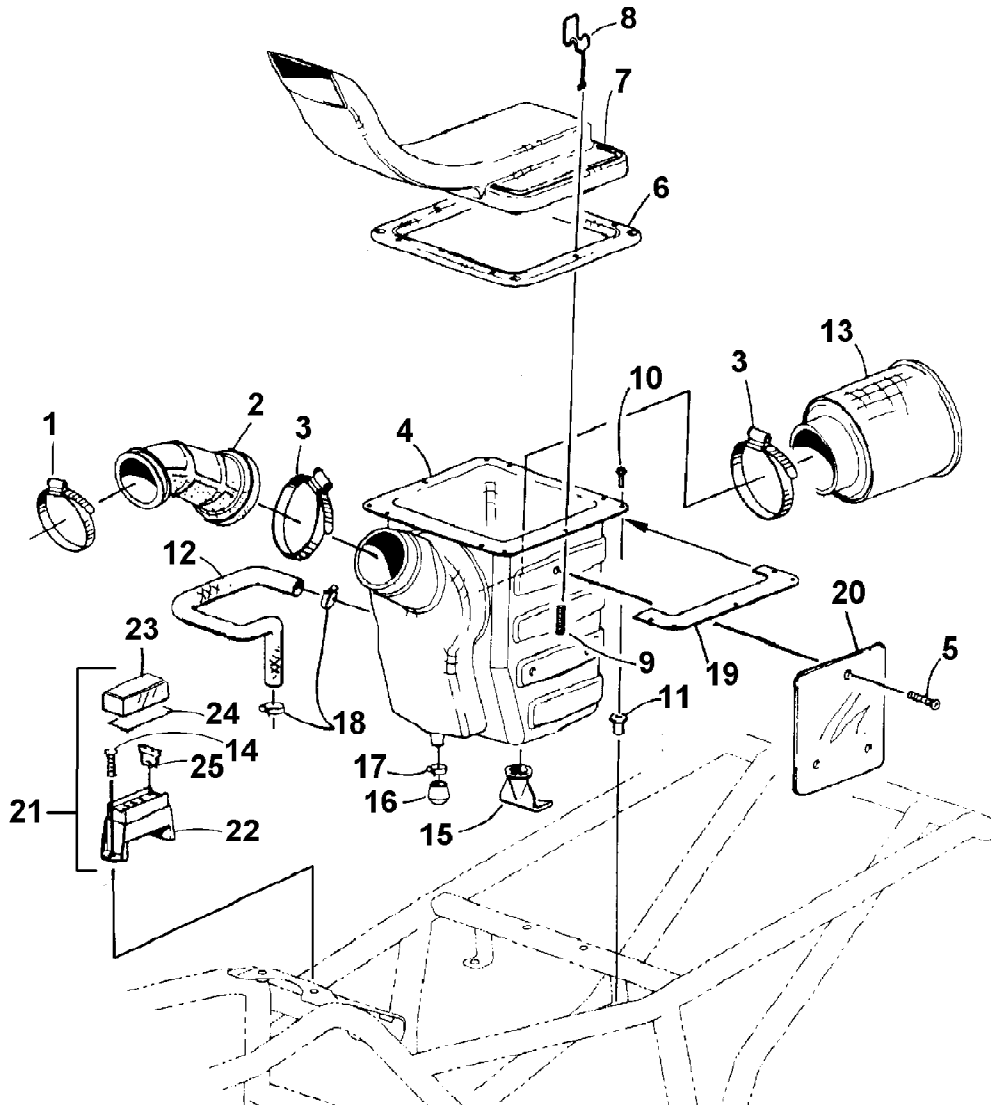


2001 400 4X4 GREEN (A2001ATI4AUSG) (ATV 400/500 CC MANUAL TRANSMISSION) of 99
AIR INTAKE ASSEMBLY



2001 400 4X4 GREEN (A2001ATI4AUSG) (ATV 400/500 CC MANUAL TRANSMISSION) of 99
 AIR INTAKE ASSEMBLY

Ref #	Part Number	Qty	S/P/F	Description
1	0423-066	1		Clamp
2	0470-305	1		Boot, Air Cleaner
3	0423-018	2		Clamp
4	0470-337	1		Housing, Air Cleaner
5	0623-301	3	/P	Screw, Self-Tapping
6	0470-343	1		Gasket, Air Cleaner
7	0470-383	1	/P	Snorkel, Air Cleaner
8	0470-307	4		Clamp, Air Cleaner
9	0423-037	4		Spring, Air Cleaner
10	0623-121	4		Screw, Machine
11	0123-010	4	/P	Nut, Expansion
12	0410-004	1		Hose, Crankcase Vent
13	0470-391	1	/P	Filter, Air Cleaner
14	0623-361	2		Screw, Self-Tapping
15	0470-309	1	S	Valve, Air Cleaner
16	1673-272	1	/P	Cap, Fitting - Air Cleaner
17	0423-047	1		Clamp, Hose
18	0423-045	2		Clamp, Hose - Spring
19	0470-351	2		Support, Air Cleaner Flange
20	0406-356	1		Plate, Heat - Air Intake
21	0530-001	1		Box, Fuse - Assembly (inc. 22-25)
22	0	1	F	Block, Fuse
23	0	1	F	Lid, Fuse Box
24	0411-271	1		Decal, Fuse Block
25	0630-057	4		Fuse - 10 Amp
25	0630-058	2		Fuse - 15 Amp

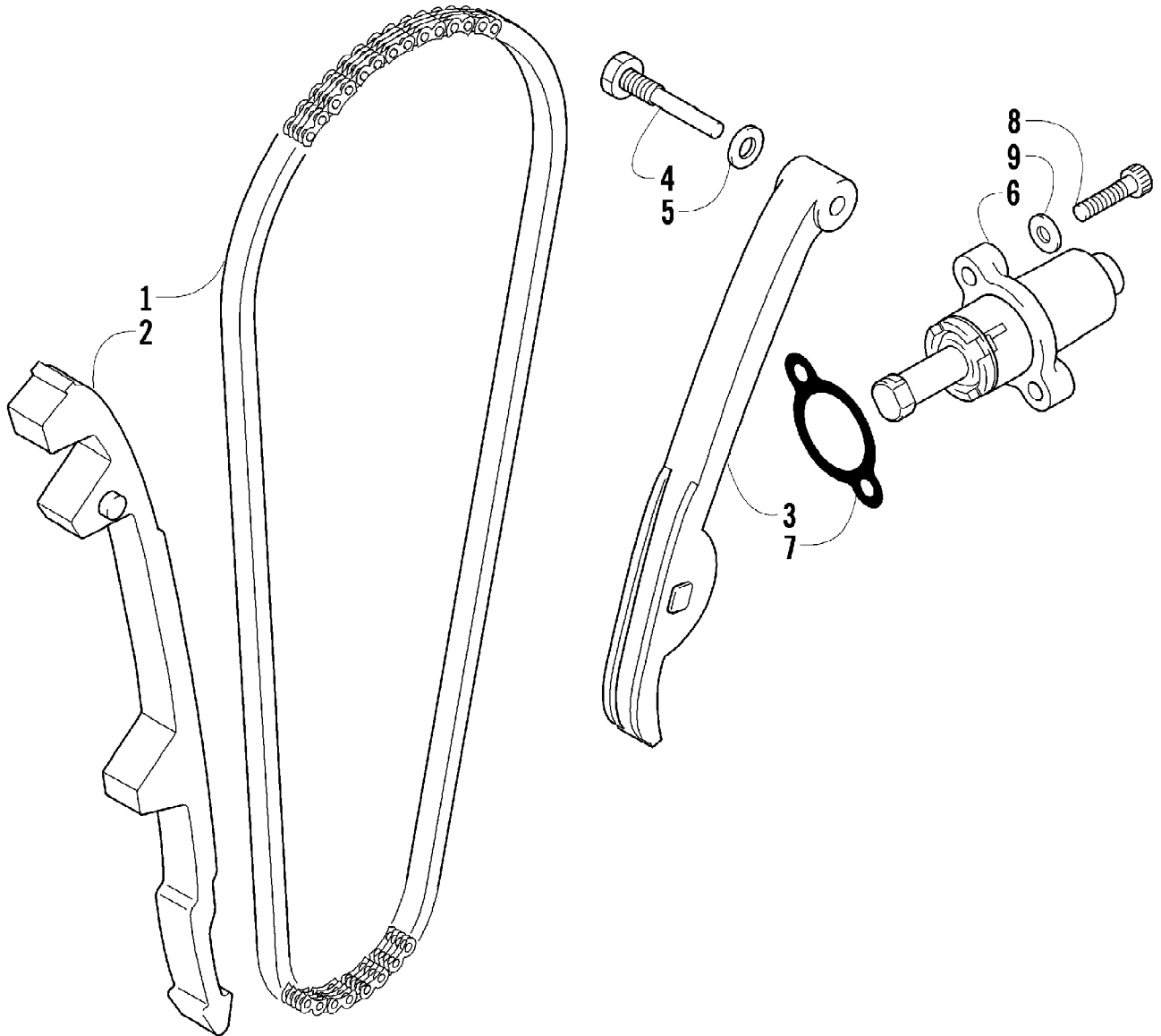
2001 400 4X4 GREEN (A2001ATI4AUSG) (ATV 400/500 CC MANUAL TRANSMISSION) of 99
BODY PANEL ASSEMBLY

Ref #	Part Number	Qty	S/P/F	Description
1	0506-239	1		Panel, Fender - Front (Red) (2X4)
1	0506-365	1		Panel, Fender - Front (Green) (2X4)
1	0506-406	1	/P	Panel, Fender - Front (Red) (4X4)
1	0506-405	1	/P	Panel, Fender - Front (Green) (4X4)
2	0506-153	1	S	Cover, Access (Red)
2	0506-145	1	S	Cover, Access (Green)
3	0406-140	1	/P	Flare - Front Right (2X4)
3	0406-141	1	/P	Flare - Front Left (2X4)
3	0406-080	1	/P	Flare - Front Right (4X4)
3	0406-081	1	/P	Flare - Front Left - 400 (4X4)
3	0406-081	1	/P	Flare - Front Left - 500 (4X4)
4	0506-409	1		Rack - Front (400)
4	0506-407	1		Rack - Front (500)
5	0606-526	2		Reflector, Front - Yellow
6	0623-269	8		Clip, Retaining
7	0506-480	1		Panel, Side - Right (Red) (400)
7	0506-487	1		Panel, Side - Right (Red) (500)
7	0506-243	1		Panel, Side - Left (Red)
7	0506-479	1		Panel, Side - Right (Green) (400)
7	0506-486	1		Panel, Side - Right (Green) (500)
7	0506-165	1		Panel, Side - Left (Green)
8	0506-240	1		Panel, Fender - Rear (Red) (2X4)
8	0506-366	1		Panel, Fender - Rear (Green) (2X4)
8	0506-307	1		Panel, Fender - Rear (Red) (4X4)
8	0506-157	1		Panel, Fender - Rear (Green) (4X4)
9	0506-190	1	/P	Rack - Rear (400)
9	0506-482	1	S	Rack - Rear (500)
10	0406-293	1		Wrap, Tube - Rear Rack
11	0417-002	1		Foam, Access Panel
12	0606-029	2		Reflector, Rear - Red
13	0406-082	1		Flare, Rear Right (4X4)
13	0406-083	1		Flare, Rear Left (4X4)
14	0406-558	1		Mud Flap - Right (4X4)
14	0406-559	1		Mud Flap - Left (4X4)
15	0423-046	AR		Rivet, Plastic
16	0406-084	1		Fender Extension - Rear Right (2X4)
16	0406-085	1		Fender Extension - Rear Left (2X4)
16	0506-160	1		Fender Extension - Rear Right (4X4)
16	0506-161	1		Fender Extension - Rear Left (4X4)
17	0423-077	4	/P	T-Nut w/Teeth (2X4)
18	0423-101	AR		Screw, Body
19	0423-060	2		Clip, Tinerman
20	0623-309	2		Screw, Self-Tapping
21	8409-020	6	/P	Screw, Cap
22	8477-612	2		Screw, Machine
23	0423-031	2		Nut, Speed
24	0123-010	3	/P	Nut, Expansion
25	0423-068	2		Screw, Machine
26	0623-184	1		Washer
27	8477-616	2		Screw, Machine
28	0406-297	1		Plate, Heat - Rear Panel
29	0123-549	1	/P	Screw, Machine
30	8476-616	1		Screw, Machine

2001 400 4X4 GREEN (A2001ATI4AUSG) (ATV 400/500 CC MANUAL TRANSMISSION) of 99
BODY PANEL ASSEMBLY

Ref #	Part Number	Qty	S/P/F	Description
31	8477-616	4		Screw, Machine (2X4)
32	0470-404	1		Grommet, Fuel Shut-Off Valve
33	0423-168	8		Rivet, Plastic

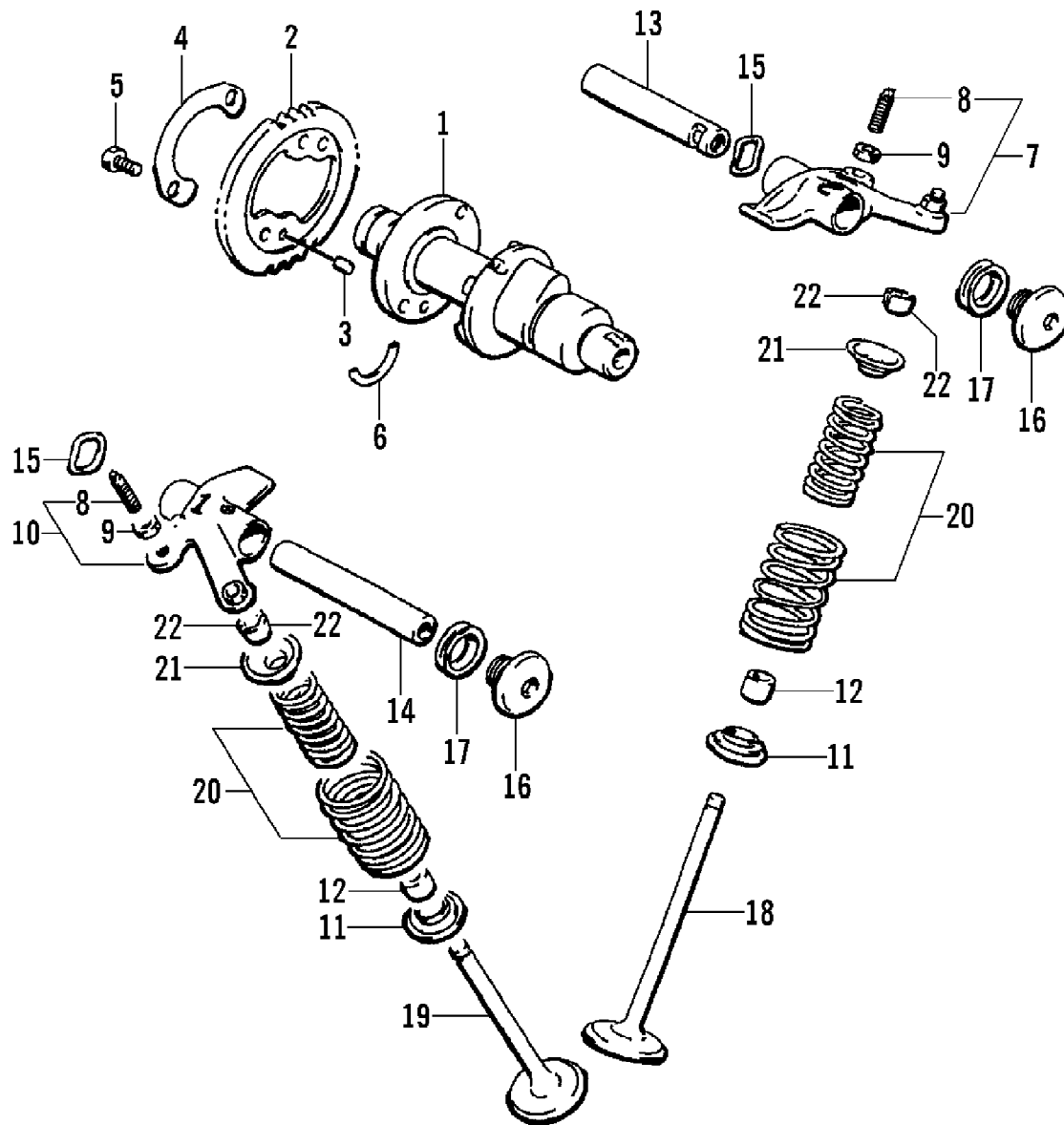
2001 400 4X4 GREEN (A2001ATI4AUSG) (ATV 400/500 CC MANUAL TRANSMISSION) of 99
CAM CHAIN ASSEMBLY



2001 400 4X4 GREEN (A2001ATI4AUSG) (ATV 400/500 CC MANUAL TRANSMISSION) of 99
 CAM CHAIN ASSEMBLY

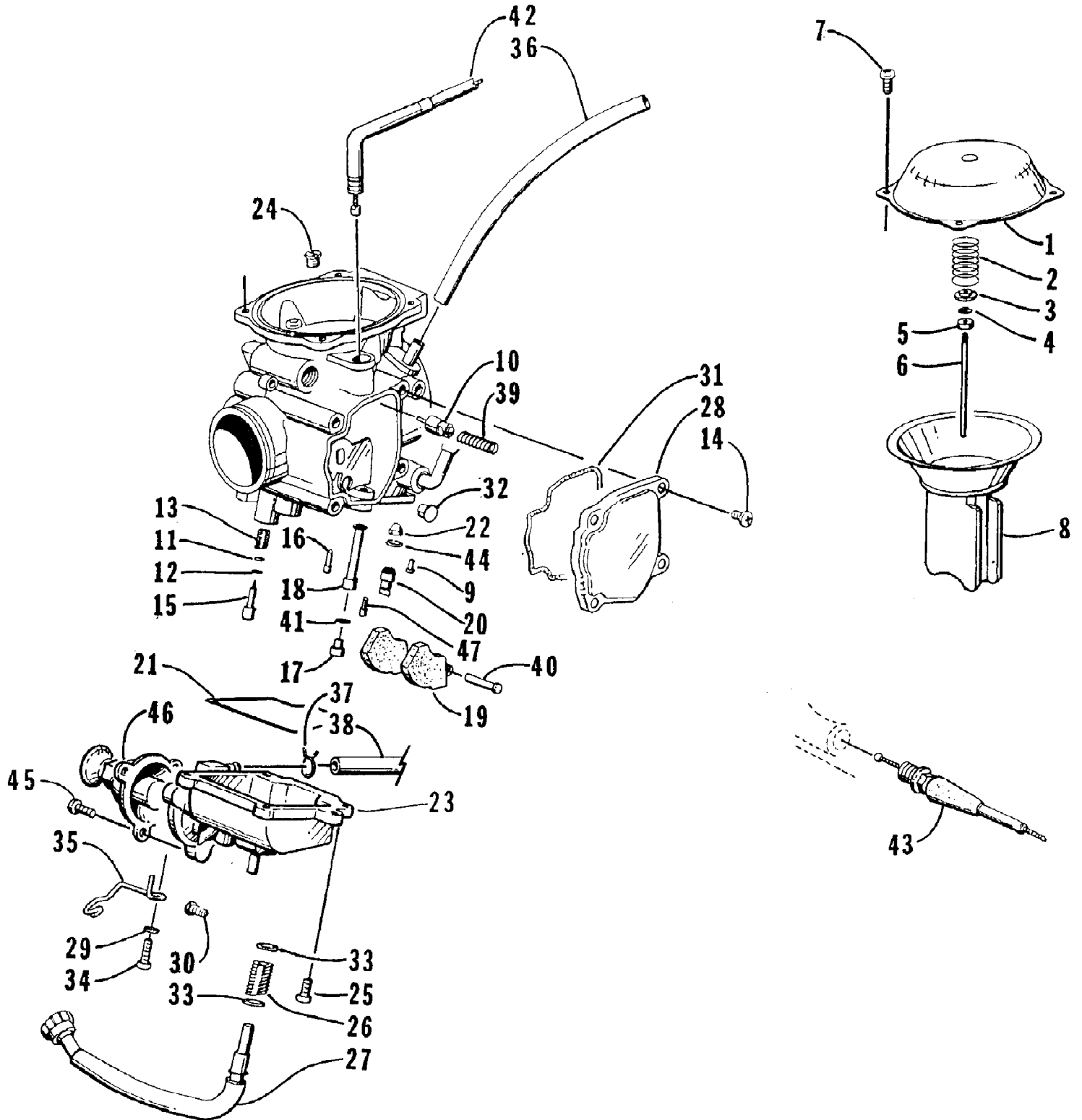
Ref #	Part Number	Qty	S/P/F	Description
1	3402-133	1		Chain, Cam (400)
1	3402-353	1		Chain, Cam (500)
2	3402-134	1		Guide, Chain (400)
2	3402-355	1		Guide, Chain (500)
3	3402-135	1		Tensioner, Chain (400)
3	3402-356	1		Tensioner, Chain (500)
4	3423-074	1		Screw, Cap
5	3003-188	1	S/P	Washer
6	3402-136	1		Adjuster, Tensioner - Assembly
7	3402-137	1		Gasket
8	3004-475	2	S	Screw, Cap
9	3003-290	2	/P	Gasket

2001 400 4X4 GREEN (A2001ATI4AUSG) (ATV 400/500 CC MANUAL TRANSMISSION) of 99
CAMSHAFT/VALVE ASSEMBLY



2001 400 4X4 GREEN (A2001ATI4AUSG) (ATV 400/500 CC MANUAL TRANSMISSION) of 99
 CAMSHAFT/VALVE ASSEMBLY

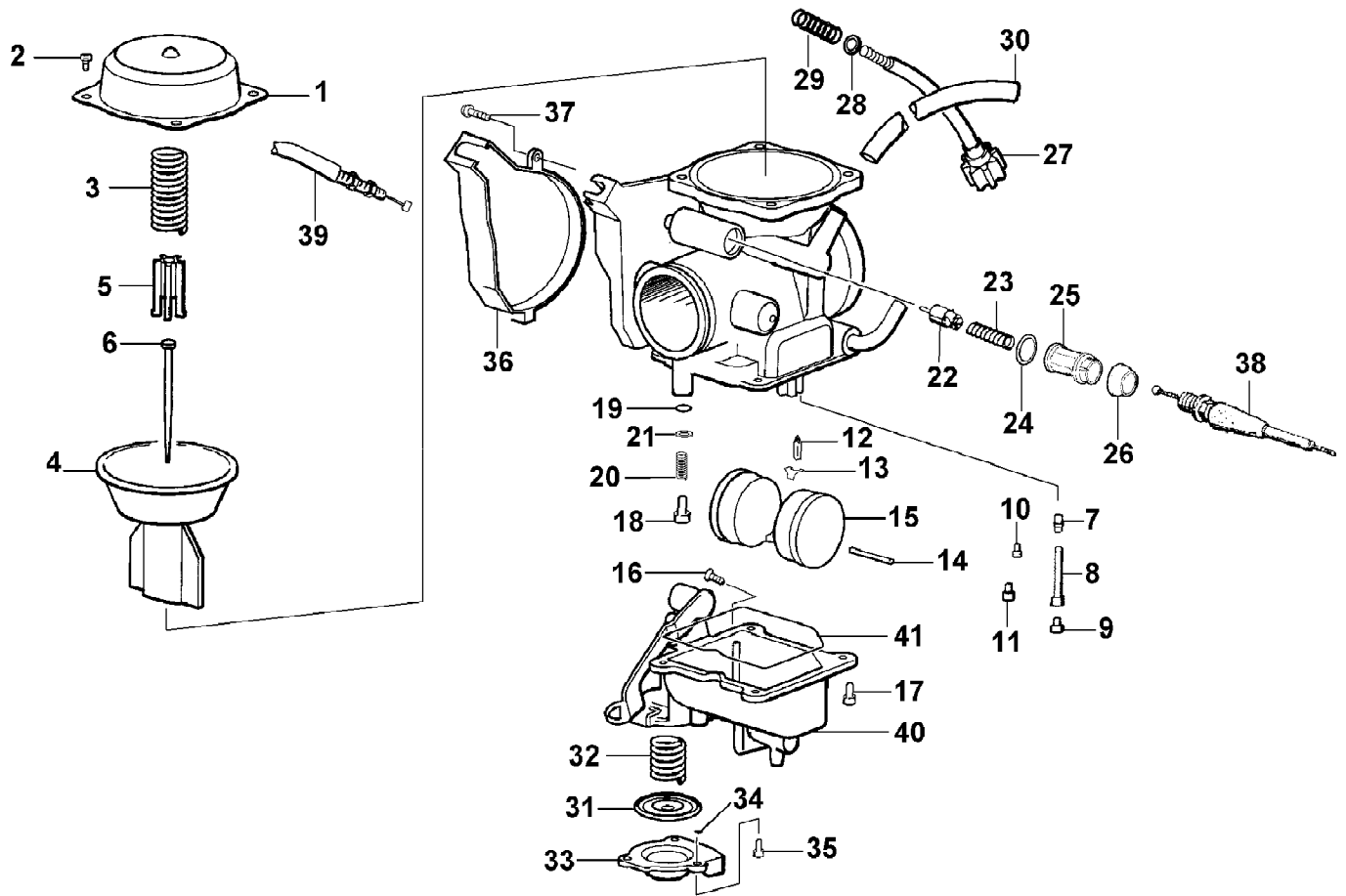
Ref #	Part Number	Qty	S/P/F	Description
1	3402-027	1	S	Camshaft
2	3402-131	1		Sprocket (400)
2	3402-352	1		Sprocket (500)
3	3423-047	1		Pin
4	3423-073	1		Washer
5	3423-013	2	S	Screw, Cap
6	3423-071	1	/P	C-Ring
7	3402-138	1	S	Arm, Valve Rocker (inc. 8-9)
8	3423-075	2		Screw, Cap
9	3423-076	2		Nut
10	3402-139	1		Arm, Valve Rocker (inc. 8-9)
11	3402-148	4		Seat, Spring
12	3402-078	4		Seal, Oil
13	3402-140	1		Shaft, Rocker Arm
14	3402-141	1		Shaft, Rocker Arm
15	3423-031	2		Washer
16	3402-040	2	/P	Plug, Shaft
17	3402-012	2		Gasket
18	3402-142	2	S	Valve, Intake
19	3402-143	2		Valve, Exhaust
20	3402-144	4		Spring, Valve - Set
21	3402-146	4	S	Retainer, Spring
22	3402-147	8		Cotter, Valve



2001 400 4X4 GREEN (A2001ATI4AUSG) (ATV 400/500 CC MANUAL TRANSMISSION) of 99
 CARBURETOR (400 cc)

Ref #	Part Number	Qty	S/P/F	Description
1	4505-001	1		Cover Assembly
2	4505-002	1		Spring
3	4505-003	1		Ring
4	4505-004	1	S	E-Clip
5	4505-005	1		Ring
6	4505-082	1		Jet Needle
7	4505-007	4	S	Screw
8	4505-077	1		Diaphragm
9	4505-009	1		Screw
10	4505-078	1		Plunger Assembly
11	4505-011	1	/P	O-Ring
12	4505-012	1		Washer
13	4505-013	1		Spring
14	4505-014	4		Screw
15	4505-016	1	/P	Screw, Pilot
16	4505-059	1		Pilot Jet 45
17	4505-080	1		Main Jet 150
18	4505-006	1	/P	Needle Jet P-7
19	4505-021	1		Float Assembly
20	4505-022	1		Seat, Valve 2.0 (With Needle)
20	4505-102	1	F	Seat, Valve 2.3 (With Needle)
21	4505-044	1		O-Ring, Float Chamber
22	4505-045	1		Filter
23	4505-049	1		Chamber, Float
24	4505-086	1		Jet, Pilot Air
25	4505-025	3		Screw
26	4505-026	1		Spring
27	4505-027	1		Cable, Adjuster - Assembly
28	4505-028	1		Cover
29	4505-029	1		Washer
30	4505-030	1		Screw
31	4505-031	1		O-Ring
32	4505-032	1		Guide, Cable
33	4505-033	2		Washer
34	4505-042	1		Screw
35	4505-034	1	/P	Clip
36	4505-035	2		Hose
37	4505-053	2		Clip
38	4505-052	1	S	Hose
39	4505-039	1	/P	Spring
40	6505-153	1		Pin, Float
41	6505-006	1		Washer
42	0487-001	1		Cable, Throttle
43	0487-002	1		Cable, Choke
44	6505-875	1	/P	O-Ring
45	4505-051	3		Screw, Cap
46	4505-050	1		Cover, Primer - Assembly
47	4505-107	1		Holder, Carburetor

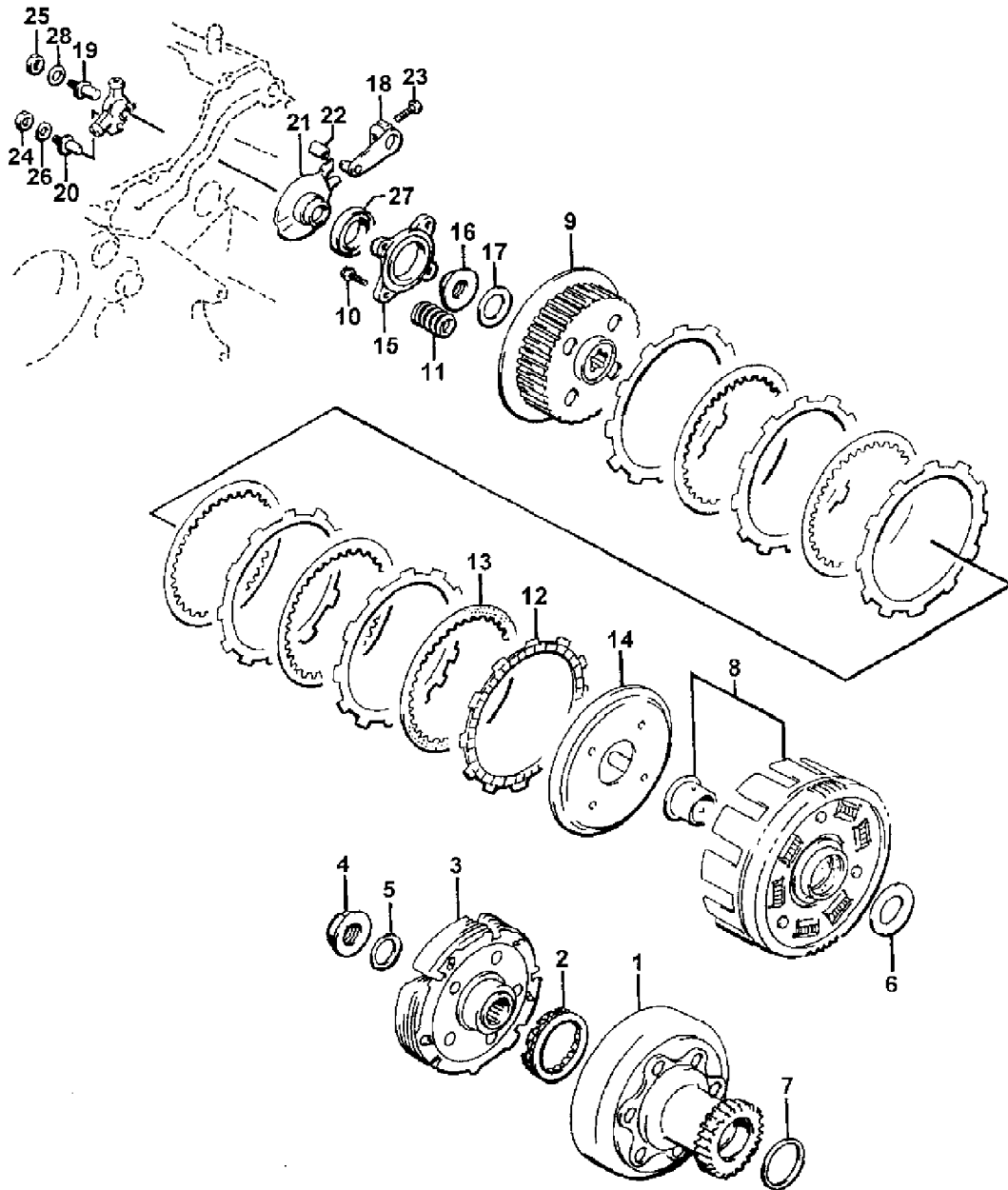
2001 400 4X4 GREEN (A2001ATI4AUSG) (ATV 400/500 CC MANUAL TRANSMISSION) of 99
CARBURETOR (500 cc)



2001 400 4X4 GREEN (A2001ATI4AUSG) (ATV 400/500 CC MANUAL TRANSMISSION)
 CARBURETOR (500 cc) Page 11 of 99

Ref #	Part Number	Qty	S/P/F	Description
1	5507-001	1		Cover, Top
2	5507-002	4	/P	Screw, Top Cover
3	5507-066	1	/P	Spring
4	5507-004	1	/P	Piston, Vacuum
5	5507-005	1		Spring, Seat
6	5507-006	1		Jet Needle
7	5507-007	1		Needle Jet
8	5507-047	1	/P	Holder, Needle Jet
9	5507-042	1	/P	Main Jet 145
9	5507-009	1	/P/F	Main Jet 150
9	5507-041	1	F	Main Jet 147
9	5507-043	1	F	Main Jet 142
9	5507-044	1	F	Main Jet 140
10	5507-010	1	S	Slow Jet
11	5507-011	1		Starter Jet - 102
12	5507-038	1		Valve, Float - Set (inc. 13)
13		1	F	Clip
14		1	F	Pin, Float
15	5507-039	1		Float Set (inc. 14)
16	5507-050	1	/P	Screw, Drain
17	5507-017	4	/P	Screw
18	5507-040	1		Screw, Pilot Air - Set (inc. 19-21)
19		1	F	O-Ring
20		1	F	Spring
21		1	F	Washer
22	5507-022	1		Valve, Starter
23	5507-023	1		Spring
24	5507-024	1		O-Ring
25	5507-025	1		Cap
26	5507-026	1		Cap, Rubber
27	5507-027	1		Screw, Stop
28	5507-028	1		Washer
29	5507-029	1		Spring
30	5507-030	1	/P	Tube, Vinyl
31	5507-031	1	S	Diaphragm Assembly
32	5507-032	1		Spring
33		1	F	Housing, Pump
34	5507-034	1		U-Ring
35	5507-035	3		Screw
36	5507-036	1		Cover
37	5507-037	1	/P	Screw
38	0487-016	1		Cable, Choke
39	0487-021	1	S	Cable, Throttle
40		1	F	Chamber, Float - Assembly (inc. 16, 31-35, and 41)
41	5507-067	1	/P	O-Ring, Float Chamber

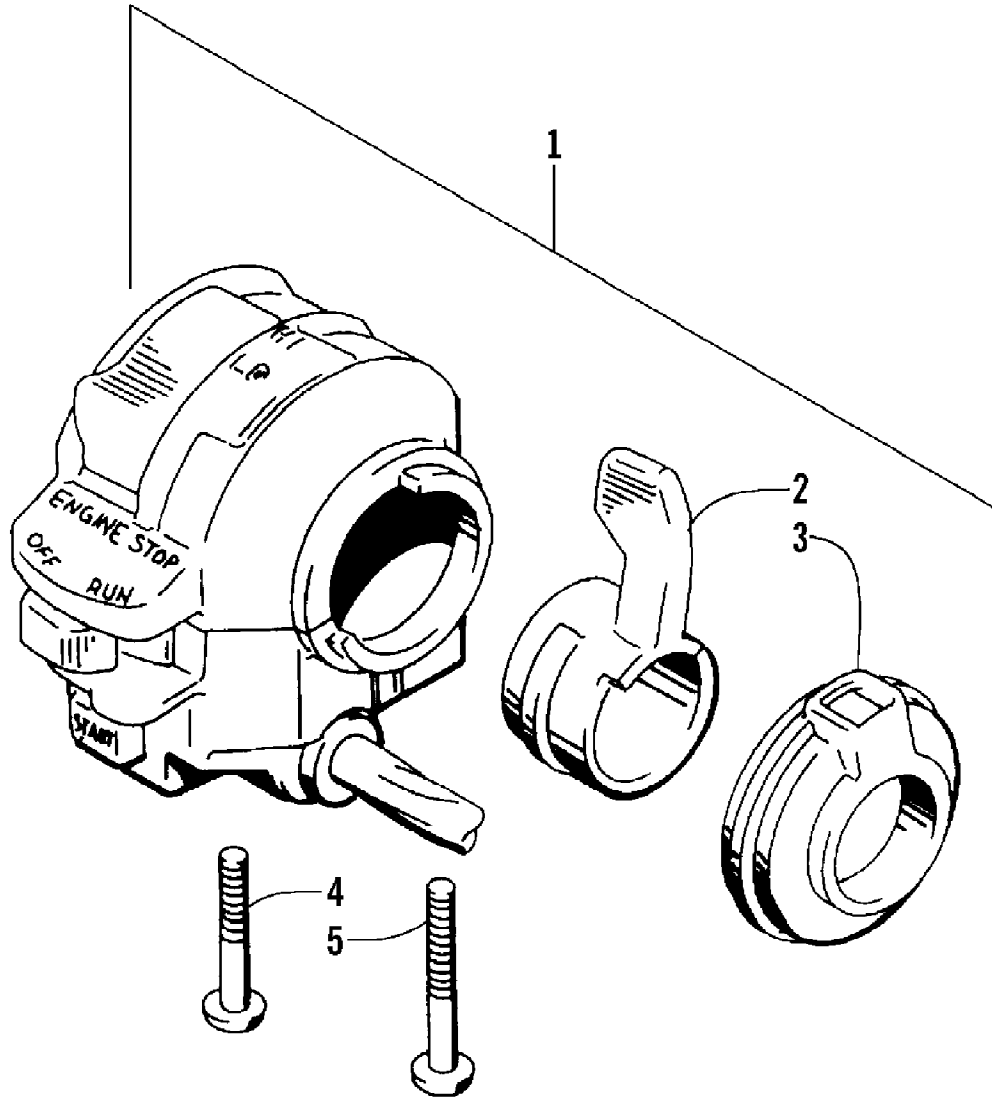
2001 400 4X4 GREEN (A2001ATI4AUSG) (ATV 400/500 CC MANUAL TRANSMISSION) of 99
CLUTCH ASSEMBLY



2001 400 4X4 GREEN (A2001ATI4AUSG) (ATV 400/500 CC MANUAL TRANSMISSION) of 99
 CLUTCH ASSEMBLY

Ref #	Part Number	Qty	S/P/F	Description
1	3446-001	1	S	Housing, Starter Clutch (400)
1	3446-232	1		Housing, Starter Clutch (500)
2	3446-003	1		Clutch, Primary Drive One Way
3	3446-227	1		Shoe, Starter Clutch (400)
3	3446-233	1		Shoe, Starter Clutch (500)
4	3423-081	1		Nut, Starter Clutch Shoe
5	3423-032	1		Washer, Starter Clutch Shoe
6	3423-122	1		Washer, Primary Driven
7	3423-186	1		Washer, Primary Driven (400)
7	3423-350	1		Washer, Primary Driven (500)
8	3446-002	1		Gear, Primary Driven - Assembly
9	3446-213	1		Hub, Clutch Sleeve (400)
9	3446-004	1		Hub, Clutch Sleeve (500)
10	3423-330	4		Screw, Cap - Clutch Spring
11	3446-005	4		Spring, Clutch
12	3446-006	5		Plate, Clutch Drive (400)
12	3446-006	6		Plate, Clutch Drive (500)
13	3446-226	4		Plate, Clutch Driven (400)
13	3446-007	5		Plate, Clutch Driven (500)
14	3446-008	1		Disc, Clutch Pressure
15	3446-009	1		Plate, Clutch Release
16	3423-080	1		Nut, Clutch Sleeve Hub
17	3423-032	1		Washer, Sleeve Hub
18	3446-011	1		Arm, Clutch Release
19	3423-361	1		Bolt, Clutch Release (No. 1) (400)
19	3423-333	1		Bolt, Clutch Release (No. 1) (500)
20	3423-083	1		Bolt, Clutch (No. 2)
21	3446-214	1		Guide, Release Roller
22	3446-013	1	S	Roller, Clutch Release - Assembly
23	3423-125	1	S	Bolt, Clutch Release Arm
24	3008-014	1		Nut, Clutch Release (No. 2)
25	3423-359	1		Nut, Clutch Release (No. 1) (400)
25	3423-022	1		Nut, Clutch Release (No. 1) (500)
26	3423-027	1		Washer, Clutch (No. 2)
27	3402-186	1	/P	Bearing, Clutch
28	3423-360	1		Washer, Clutch Release (No. 1) (400)
28	3423-204	1	/P	Washer, Clutch Release (No. 1) (500)

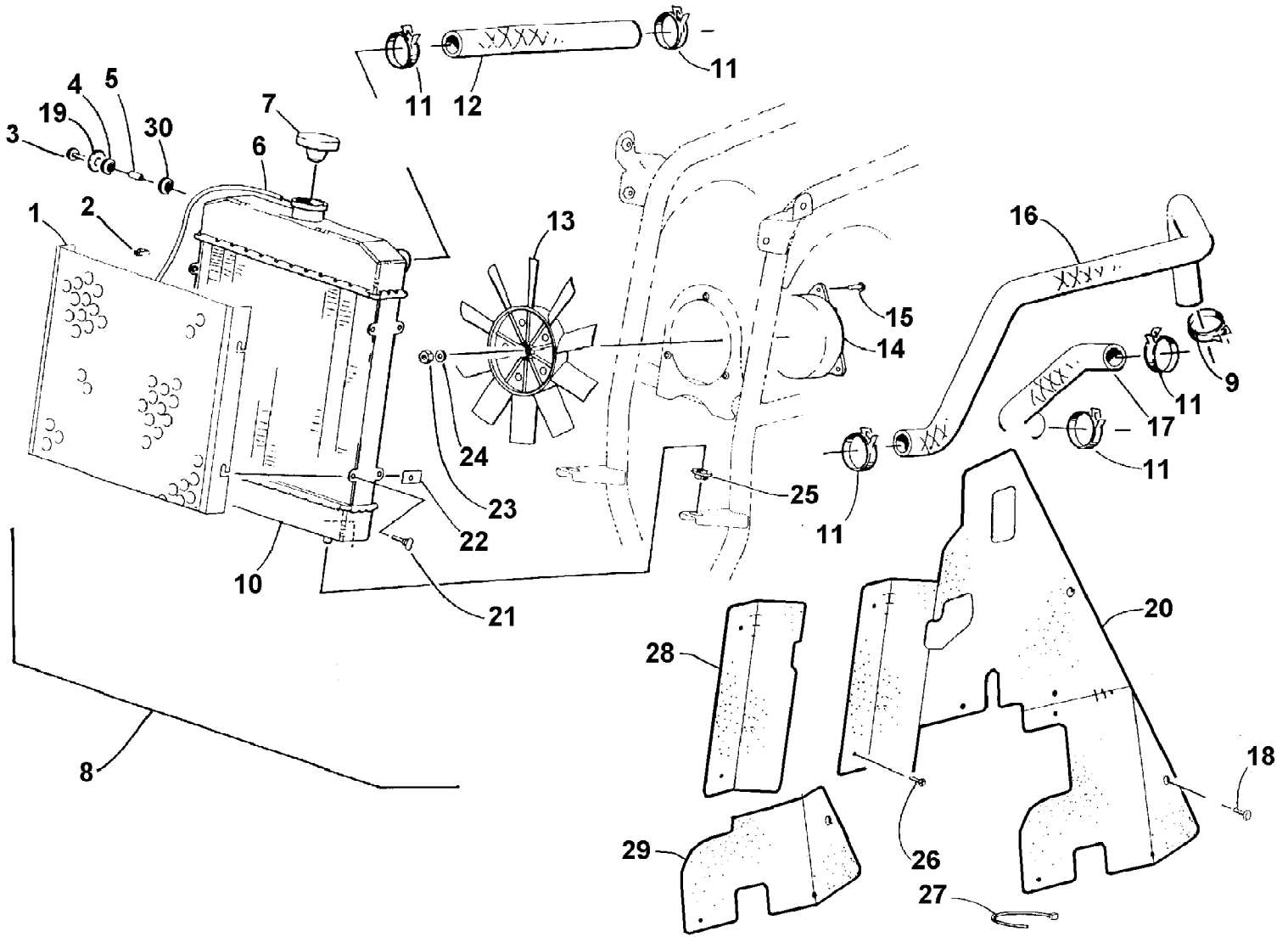
2001 400 4X4 GREEN (A2001ATI4AUSG) (ATV 400/500 CC MANUAL TRANSMISSION) of 99
CONTROL SWITCH HOUSING ASSEMBLY



2001 400 4X4 GREEN (A2001ATI4AUSG) (ATV 400/500 CC MANUAL TRANSMISSION) of 99
CONTROL SWITCH HOUSING ASSEMBLY

Ref #	Part Number	Qty	S/P/F	Description
1	3509-001	1	S	Switch, Handlebar Control - Assembly (inc. 2-5)
2	3409-009	1		Lever, Choke
3	3409-010	1		Cover, Choke
4	3423-196	1		Screw, Cap
5	3423-197	1		Screw, Cap

2001 400 4X4 GREEN (A2001ATI4AUSG) (ATV 400/500 CC MANUAL TRANSMISSION) of 99
COOLING ASSEMBLY

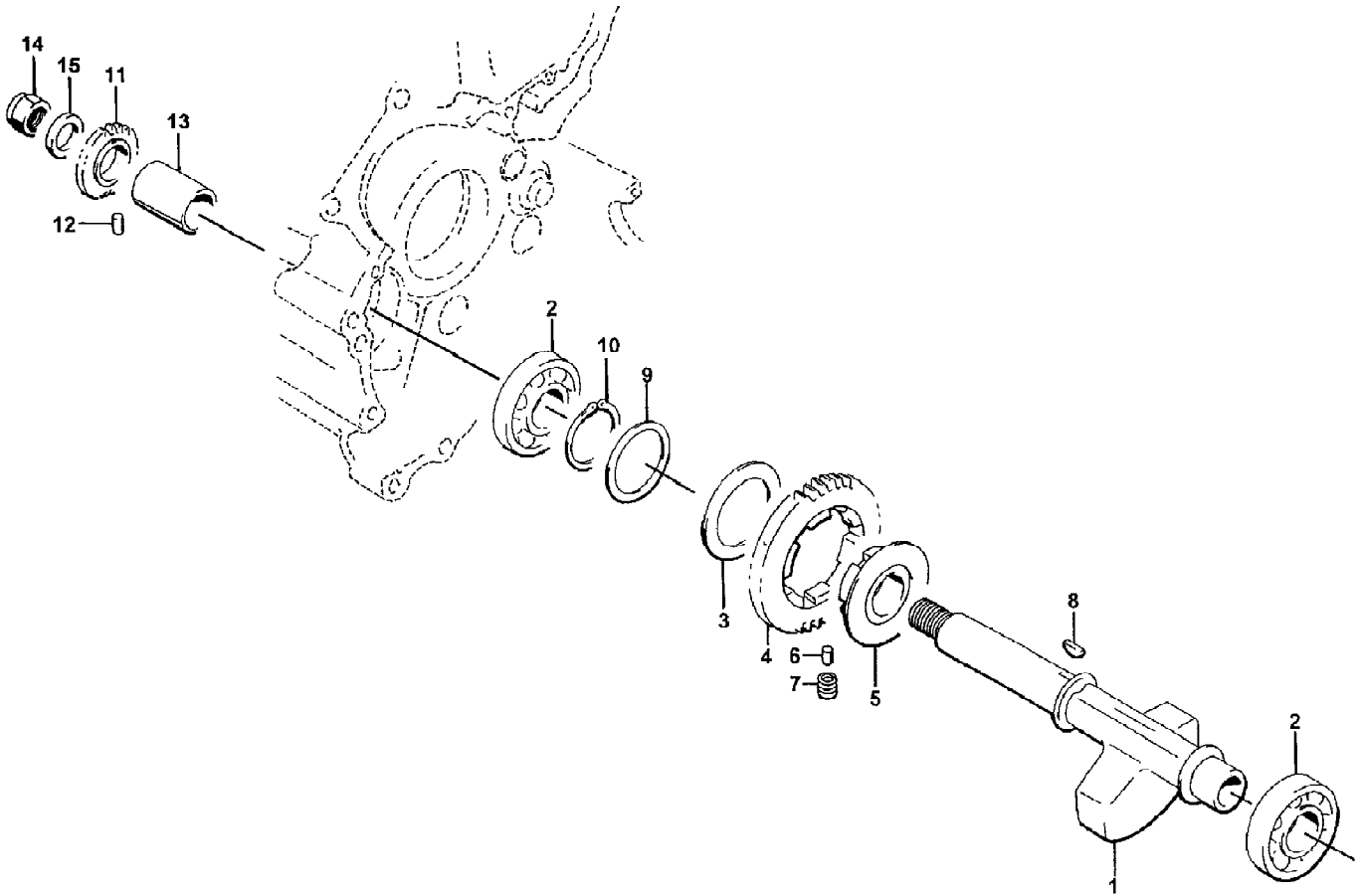


2001 400 4X4 GREEN (A2001ATI4AUSG) (ATV 400/500 CC MANUAL TRANSMISSION) of 99
 COOLING ASSEMBLY

Page 10 of 10

Ref #	Part Number	Qty	S/P/F	Description
1	0413-007	1		Screen, Radiator
2	0423-174	2		Clamp, Wire
3	8476-620	2		Screw, Cap
4	0423-030	2		Grommet
5	0423-036	2		Collar
6	0610-016	AR	/P	Hose - 25 ft
7	0413-002	1	S	Cap, Radiator
8	0413-014	1		Radiator Assembly (inc. 1, 4, 7, 10, and 21)
9	0623-736	1		Clamp, Hose
10	0	1	F	Radiator
11	0423-070	5		Clamp, Hose
12	0410-002	1		Hose, Coolant - Upper
13	0413-006	1		Blade, Fan
14	0413-004	1		Motor, Fan
15	8474-516	3		Screw, Machine
16	0410-001	1		Hose, Coolant - Lower
17	0410-003	1		Hose, Coolant - Crossover
18	0423-101	4		Screw, Body
19	0623-184	2		Washer
20	0406-200	2		Panel, Fender - Inner (400 4X4)
21	0413-009	4		Screw, Thumb
22	0423-031	4		Nut, Speed
23	0423-056	1		Nut - Left
24	8050-252	1		Washer
25	0423-028	2		Bushing, Stem
26	8477-616	4		Screw, Machine
27	0123-788	8	/P	Cable Tie - 7 in.
28	0406-543	2		Shroud, Fan (400 2X4 /500)
29	0406-300	2		Panel, Fender - Inner (400 2X4 /500)
30	8424-602	2	/P	Nut, Flange

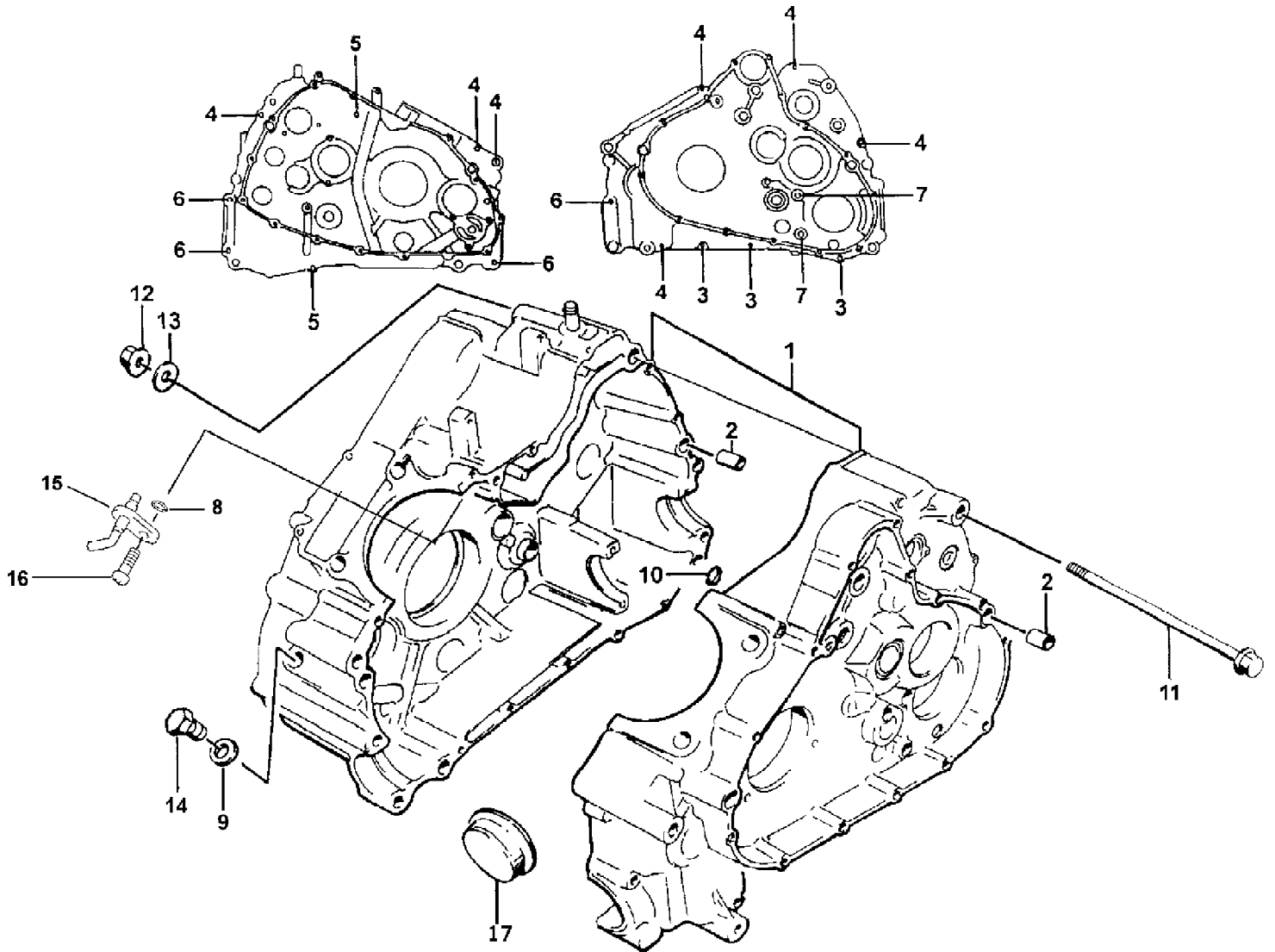
2001 400 4X4 GREEN (A2001ATI4AUSG) (ATV 400/500 CC MANUAL TRANSMISSION) of 99
CRANK BALANCER ASSEMBLY



2001 400 4X4 GREEN (A2001ATI4AUSG) (ATV 400/500 CC MANUAL TRANSMISSION)
CRANK BALANCER ASSEMBLY

Ref #	Part Number	Qty	S/P/F	Description
1	3402-345	1		Balancer, Crank (400)
1	3402-350	1		Balancer, Crank (500)
2	3402-050	2		Bearing
3	3423-033	1		Washer
4	3402-128	1		Gear, Driven (400)
4	3402-351	1		Gear, Driven (500)
5	3402-129	1		Race, Driven Gear - Inner
6	3423-106	3	/P	Pin
7	3402-090	6		Spring
8	3004-540	1	/P	Key
9	3423-107	1		Washer
10	3423-200	1	/P	Circlip
11	3402-390	1		Gear, Oil Pump Drive (400)
11	3402-150	1		Gear, Oil Pump Drive (500)
12	3423-114	1	/P	Pin
13	3402-151	1		Spacer
14	3423-025	1		Nut, Lock
15	3423-029	1		Washer

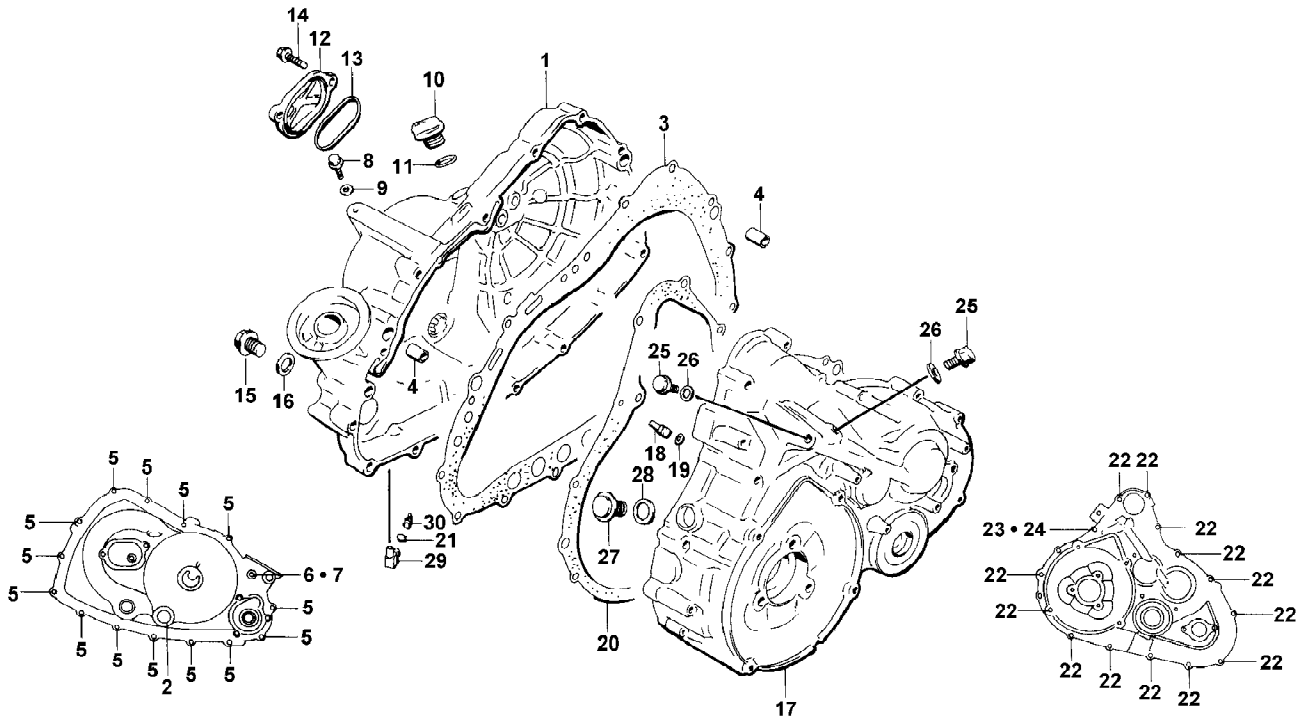
2001 400 4X4 GREEN (A2001ATI4AUSG) (ATV 400/500 CC MANUAL TRANSMISSION) of 99
CRANKCASE ASSEMBLY



2001 400 4X4 GREEN (A2001ATI4AUSG) (ATV 400/500 CC MANUAL TRANSMISSION)
 CRANKCASE ASSEMBLY Page 21 of 99

Ref #	Part Number	Qty	S/P/F	Description
1	3402-337	1		Crankcase Set (inc. 2-7 and 17) (400 2X4)
1	3402-388	1	/P	Crankcase Set (inc. 2-7) (400 4X4)
1	3402-366	1	S	Crankcase Set (inc. 2-8, 10, 15, and 16) (500)
2	3423-088	4		Pin, Dowel
3	3423-091	3	S	Screw, Cap
4	3423-092	7	S	Screw, Cap
5	3423-094	2		Screw, Cap
6	0693-303	4	S	Screw, Cap
7	3423-093	2		Screw, Cap
8	3423-051	1		O-Ring (400 4X4 and 500)
9	3402-011	1		Gasket
10	3423-052	1		O-Ring (500)
11	3423-009	3	/P	Screw, Cap
12	3423-024	3		Nut
13	3004-278	3	S/P	Washer
14	3423-095	1		Plug, Oil Gallery
15	3402-369	1		Jet, Piston Cooling (500)
16	3004-552	1	S	Screw (500)
17	3423-208	1		Plug, (400 2X4)

2001 400 4X4 GREEN (A2001ATI4AUSG) (ATV 400/500 CC MANUAL TRANSMISSION) of 99
CRANKCASE COVER ASSEMBLY

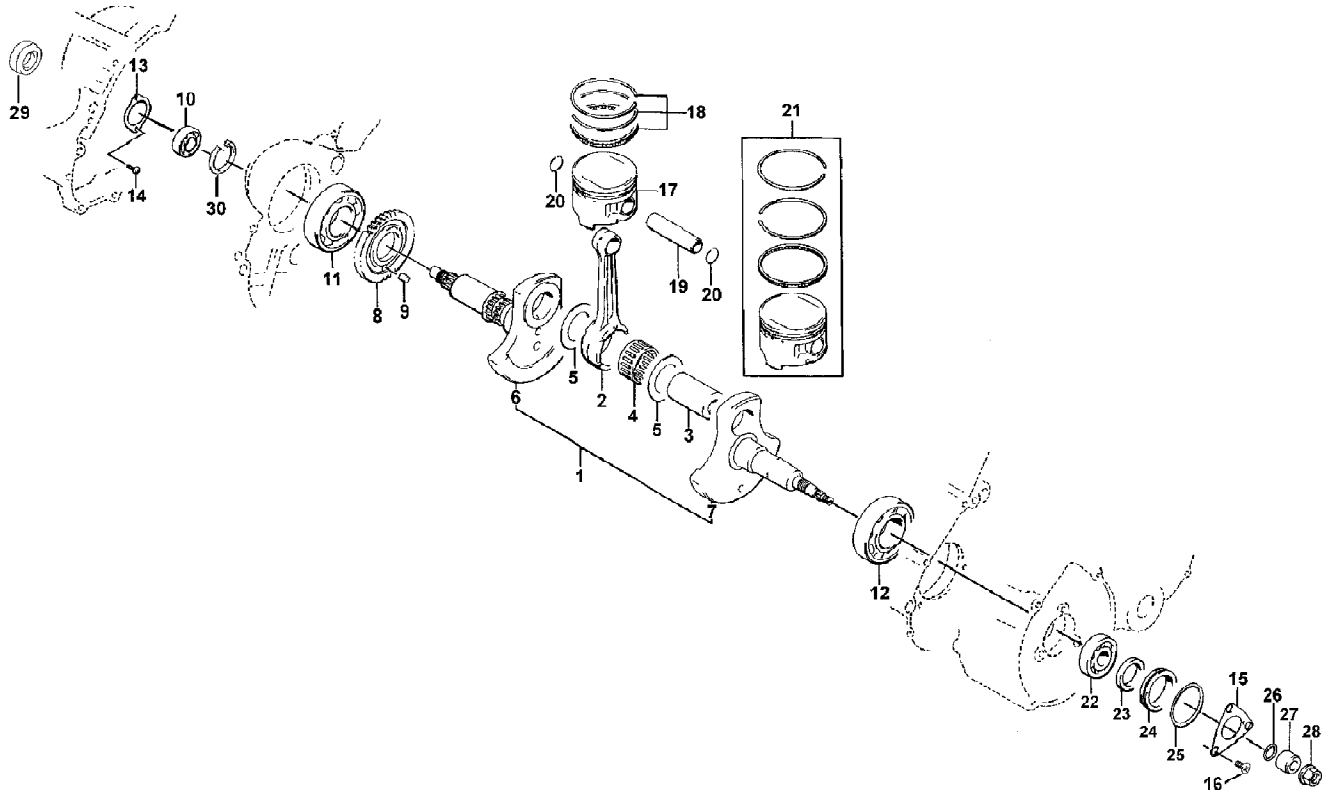


2001 400 4X4 GREEN (A2001ATI4AUSG) (ATV 400/500 CC MANUAL TRANSMISSION)
CRANKCASE COVER ASSEMBLY

Page 25 of 99

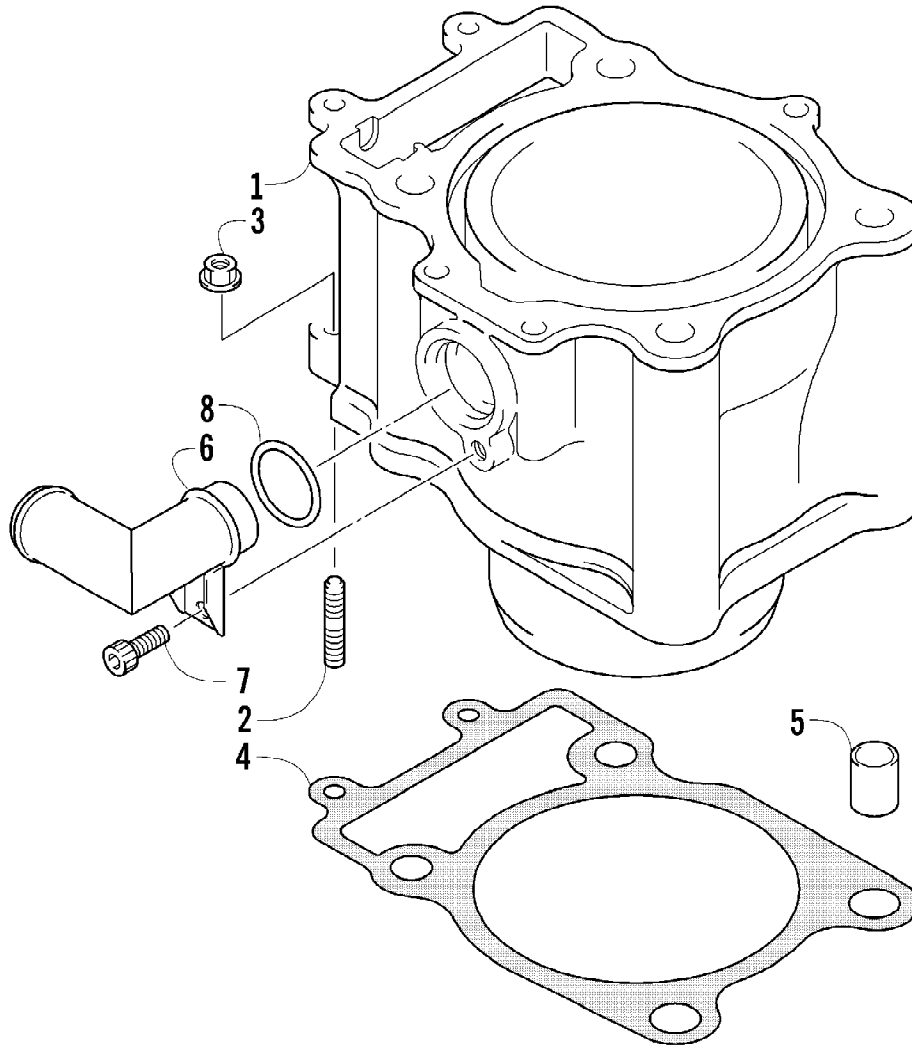
Ref #	Part Number	Qty	S/P/F	Description
1	3402-199	1	/P	Cover, Clutch (inc. 2) (400)
1	3402-367	1		Cover, Clutch (inc. 2) (500)
2	3402-112	1	/P	Lens, Oil Inspection
3	3402-108	1		Gasket
4	3423-088	4		Pin, Dowel
5	0693-327	14	S	Screw, Cap
6	3423-097	1		Screw, Cap
7	3003-290	1	/P	Gasket
8	3004-339	1	S/P	Plug, Oil Gallery
9	3003-290	1	/P	Gasket
10	3402-042	1		Cap, Engine Oil Filler
11	3423-055	1		O-Ring
12	3402-100	1		Cap, Inspection (400)
12	3402-363	1		Cap, Inspection (500)
13	3402-101	1		O-Ring
14	3423-096	2	S	Screw, Cap
15	3402-037	1		Plug, Oil Pressure (400)
15	3402-214	1		Plug, Oil Pressure (500)
16	3402-012	1		Gasket
17	3402-106	1		Cover Set, Transfer (inc. 18-19) (400)
17	3402-368	1		Cover Set, Transfer (inc. 18-19) (500)
18	3402-097	1		Jet, Oil Mission
19	3423-051	1		O-Ring
20	3402-109	1	S	Gasket
21	3423-120	1		Clip
22	3423-098	13	S	Screw, Cap
23	3423-092	1	S	Screw, Cap
24	3003-290	1	/P	Gasket
25	3004-705	2	S	Plug, Oil Gallery (400)
25	3423-348	2		Plug, Oil Gallery (500)
26	3005-242	2		Gasket
27	3402-041	1	S	Plug, Allen-Head
28	3402-013	1	/P	Gasket
29	3413-009	1		Union, Water Drain
30	3413-008	1		Hose

2001 400 4X4 GREEN (A2001ATI4AUSG) (ATV 400/500 CC MANUAL TRANSMISSION) of 99
CRANKSHAFT ASSEMBLY



2001 400 4X4 GREEN (A2001ATI4AUSG) (ATV 400/500 CC MANUAL TRANSMISSION) Page 17 of 99
CRANKSHAFT ASSEMBLY

Ref #	Part Number	Qty	S/P/F	Description
1	3402-339	1		Crankshaft Assembly (inc. 2-9) (400)
1	3402-372	1		Crankshaft Assembly (inc. 2-9) (500)
2	3402-341	1		Rod, Connecting (400)
2	3402-376	1		Rod, Connecting (500)
3	3402-116	1		Pin, Crank (400)
3	3402-377	1		Pin, Crank (500)
4	3402-064	1		Bearing (400)
4	3402-386	1	S	Bearing (500)
5	3423-030	2		Washer (400)
5	3423-351	2		Washer (500)
6	3402-342	1		Crankshaft Set - Right (inc. 8-9) (400)
6	3402-378	1		Crankshaft Set - Right (inc. 8-9) (500)
7	3402-343	1		Crankshaft - Left (400)
7	3402-379	1		Crankshaft - Left (500)
8	0	1	F	Gear, Balancer Drive
9	0	1	F	Pin
10	3402-044	1		Bearing - Right (400)
10	3402-384	1		Bearing - Right (500)
11	3402-058	1		Bearing - Center
12	3402-054	1		Bearing - Left
13	3402-120	1		Retainer, Bearing - Right (400)
13	3423-355	1		Retainer, Bearing - Right (500)
14	3423-017	2		Screw, Cap (400)
15	3402-188	1	/P	Retainer, Oil Seal - Left
16	3423-018	3		Screw, Cap
17	3402-340	1		Piston (400)
17	3402-373	1		Piston (500)
18	3402-114	1		Ring Set, Piston (400)
18	3436-009	1	/P	Ring Set, Piston (Oversized 0.50 mm) (400)
18	3436-010	1	/P	Ring Set, Piston (Oversized 1.00 mm) (400)
18	3402-374	1		Ring Set, Piston (500)
19	3402-110	1		Pin (400)
19	3402-375	1		Pin (500)
20	3423-069	2		Circlip (400)
20	3423-344	2		Circlip (500)
21	3402-430	1		Piston Assembly (inc. 17, 18, and 20) (400)
21	3402-346	1		Piston Set (Oversized 0.50 mm) (400)
21	3402-347	1		Piston Set (Oversized 1.00 mm) (400)
21	3402-431	1		Piston Assembly (inc. 17, 18, and 20) (500)
22	3402-051	1		Bearing
23	3402-070	1		Seal, Oil
24	3402-119	1	S	Spacer
25	3423-063	1		O-Ring
26	3423-053	1	/P	O-Ring
27	3402-348	1		Spacer, Bearing - Left
28	3004-491	1	S/P	Nut
29	3402-387	1		Seal, Oil
30	3423-355	1		Circlip

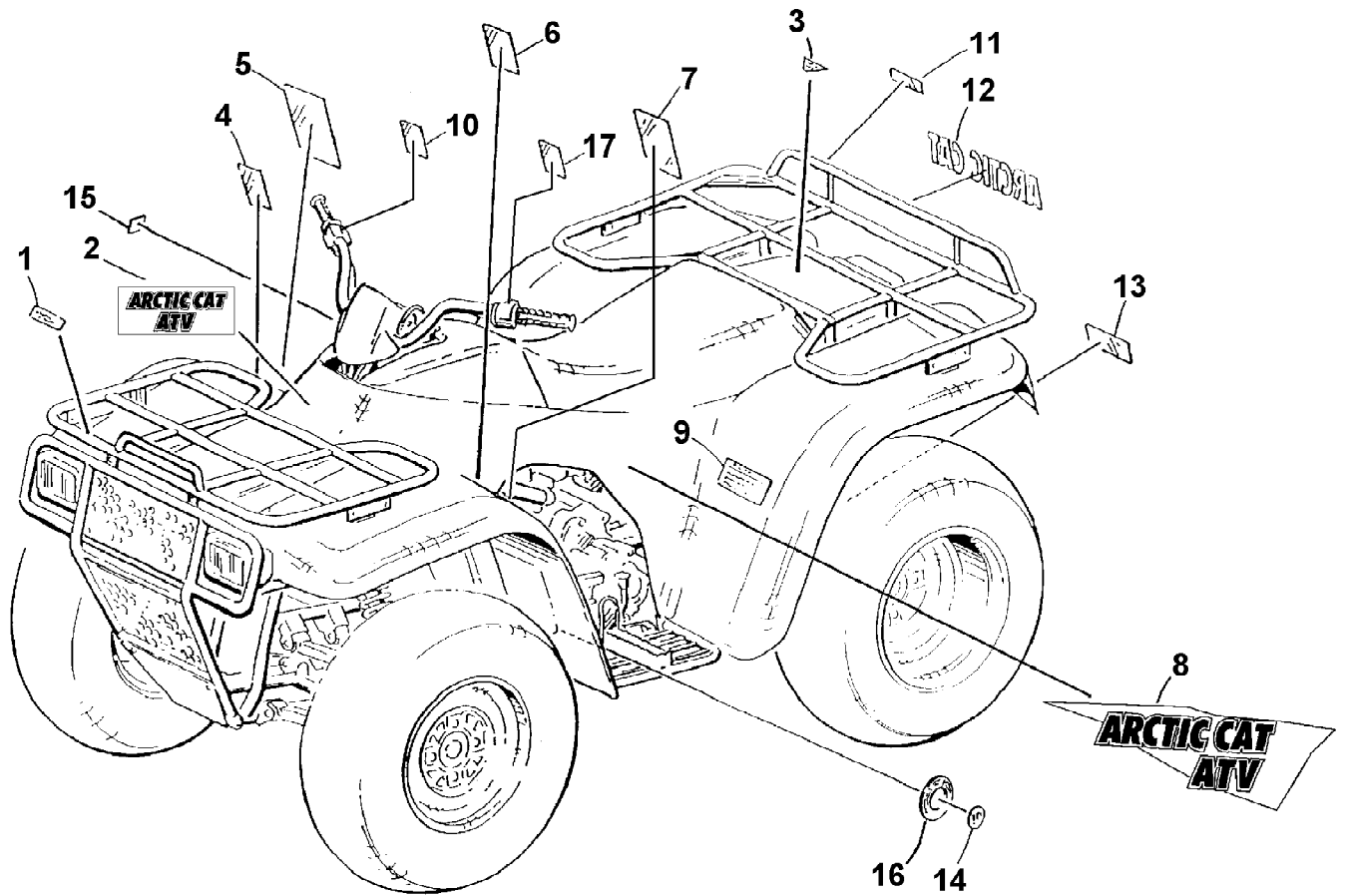


2001 400 4X4 GREEN (A2001ATI4AUSG) (ATV 400/500 CC MANUAL TRANSMISSION) of 99
 CYLINDER ASSEMBLY

Ref #	Part Number	Qty	S/P/F	Description
1	3402-102	1		Cylinder (400)
1	3402-364	1		Cylinder (500)
2	3423-090	2		Bolt, Stud
3	3004-488	2	S/P	Nut
4	3402-103	1	S	Gasket, Cylinder (400)
4	3402-365	1	/P	Gasket, Cylinder (500)
5	3423-088	2		Pin, Dowel
6	3413-006	1		Union, Water Hose
7	3423-121	1	S	Screw, Cap
8	3423-058	1		O-Ring

2001 400 4X4 GREEN (A2001ATI4AUSG) (ATV 400/500 CC MANUAL TRANSMISSION) Page 99
CYLINDER HEAD ASSEMBLY

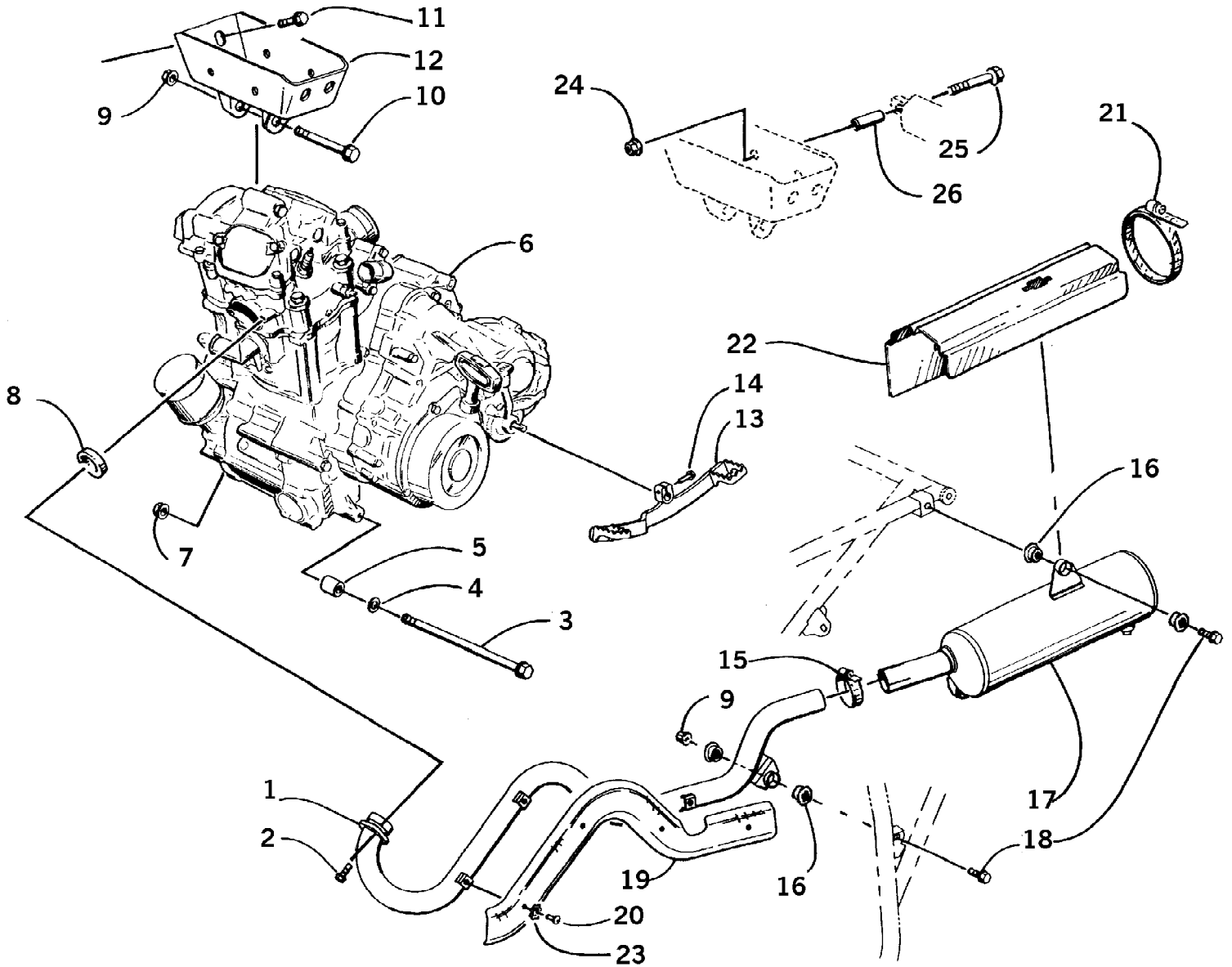
Ref #	Part Number	Qty	S/P/F	Description
	3402-107	1	S	Complete Gasket Set - 400 cc; 3402-370 500 cc
1	3402-098	1		Head, Cylinder - Assembly (inc. 2-6) (400)
1	3402-361	1		Head, Cylinder - Assembly (inc. 2-6) (500)
2	3402-099	4		Guide, Valve
3	3423-068	4		Circlip
4	3423-043	2	/P	Pin, Dowel
5	3423-006	4		Screw, Cap
6	3008-376	2	S	Screw, Cap
7	3402-163	1		Gasket, Cylinder Head (400)
7	3402-362	1		Gasket, Cylinder Head (500)
8	3423-088	2		Pin, Dowel
9	3423-015	2		Screw, Cap
10	3423-016	2		Screw, Cap
11	3423-089	2	S	Bolt, Stud
12	3423-087	2	S	Bolt, Stud
13	3423-203	1	S/P	Bolt, Stud
14	3423-007	2	S	Screw, Cap
15	3004-376	4	S/P	Screw, Cap
16	3004-488	4	S/P	Nut
17	3004-326	1	S/P	Nut
18	3003-290	4	/P	Gasket
19	3402-010	4		Gasket, Head Nut
20	0217-632	1		Spark Plug (NGKCR6E)
21	3402-100	2		Cap, Inspection
22	3402-101	2		O-Ring
23	3004-341	4	S/P	Screw, Cap
24	3402-035	1		Plug, Cylinder Head
25	3402-149	1		Pipe, Intake - Assembly (inc. 26) (400)
25	3402-357	1		Pipe, Intake - Assembly (500)
25	3402-358	1		Pipe, Intake - Assembly (500)
26	3423-332	1	/P	O-Ring (400)
26	3423-353	1	/P	O-Ring (500)
27	3423-019	2		Screw, Cap (400)
27	3423-347	2		Screw, Cap (500)
28	3402-086	2	/P	Clamp
29	3004-341	2	S/P	Screw, Cap (400)
29	3004-341	1	S/P	Screw, Cap (500)
30	3413-005	1	S	Thermostat (400)
30	3413-012	1		Thermostat (500)
31	3430-038	1	S	Switch, Water Temperature - Assembly (400)
31	3530-005	1		Switch, Water Temperature - Assembly (500)
32	3413-004	1		Cover, Thermostat
33	3423-354	1		Stud, Thermostat Cover (500)
34	3423-349	1		Nut (500)
35	0470-412	1		Tube, Intake
36	3402-048	1	F	Plug, Frost



2001 400 4X4 GREEN (A2001ATI4AUSG) (ATV 400/500 CC MANUAL TRANSMISSION) Page 31 of 99
DECALS

Ref #	Part Number	Qty	S/P/F	Description
1	0411-098	1		Decal, Warning - Front Rack Load (2X4)
1	0411-006	1		Decal, Warning - Front Rack Load (4X4)
2	0411-299	1		Decal, Front (2X4) (Red)
2	0411-298	1		Decal, Front (2X4) (Green)
2	0411-301	1		Decal, Front (4X4) (Red)
2	0411-300	1		Decal, Front (4X4) (Green)
3	3611-002	1		Decal, "Made In U.S.A."
4	0411-045	1		Decal, Warning - Turn
5	0411-008	1	/P	Decal, Warning Reverse/Pre-Ride
6	0411-040	1		Decal, Warning - Age
7	0411-218	1		Decal, Warning - General
8	0411-314	1		Decal, "400" - Right Side (Red)
8	0411-315	1		Decal, "400" - Left Side (Red)
8	0411-312	1		Decal, "400" - Right Side (Green)
8	0411-313	1		Decal, "400" - Left Side (Green)
8	0411-318	1		Decal, "500" - Right Side (Red)
8	0411-319	1		Decal, "500" - Left Side (Red)
8	0411-316	1		Decal, "500" - Right Side (Green)
8	0411-317	1		Decal, "500" - Left Side (Green)
9	0411-226	1		Decal, Warning - Tire Pressure (400 2X4)
9	0411-227	1		Decal, Warning - Tire Pressure (400 4X4)
9	0411-228	1		Decal, Warning - Tire Pressure (500)
10	0411-324	1		Decal, Instruction - Start in Gear
11	0411-099	1		Decal, Warning - Rear Rack Load (2X4)
11	0411-007	1		Decal, Warning - Rear Rack Load (4X4)
12	0411-043	1	/P	Decal, "Arctic Cat"
13	0411-268	1		Decal, Warning - Towing (2X4)
13	0411-267	1		Decal, Warning - Towing (4X4)
14	0411-003	1		Decal, Shift Pattern
15	0411-011	1		Decal, Caution - Electrical
16	0411-009	1		Decal, Hi/Low Range
17	0411-325	1		Decal, Instruction - Choke

2001 400 4X4 GREEN (A2001ATI4AUSG) (ATV 400/500 CC MANUAL TRANSMISSION) of 99
ENGINE AND EXHAUST

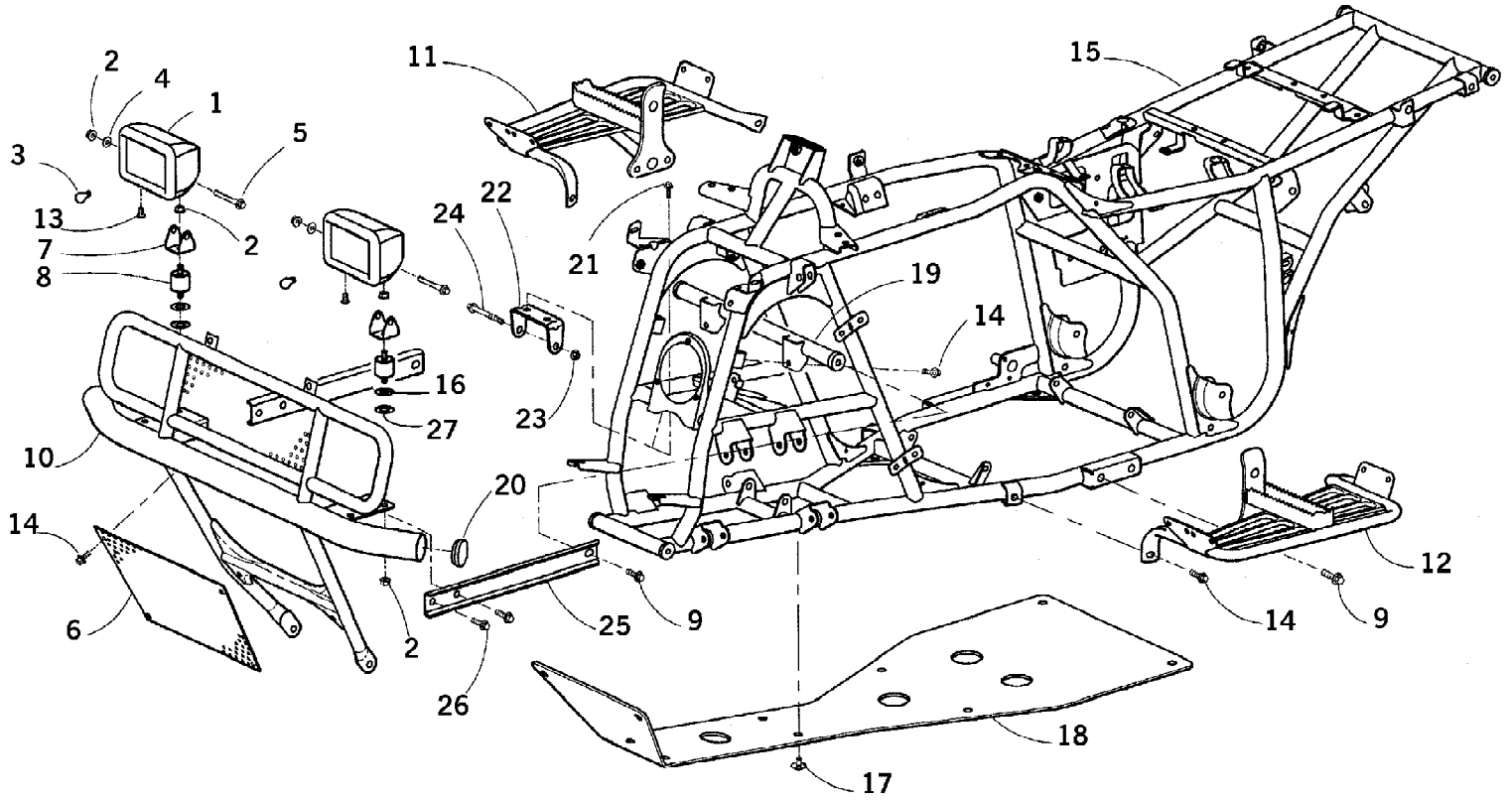


2001 400 4X4 GREEN (A2001ATI4AUSG) (ATV 400/500 CC MANUAL TRANSMISSION) of 99
 ENGINE AND EXHAUST

Page 35 of 35

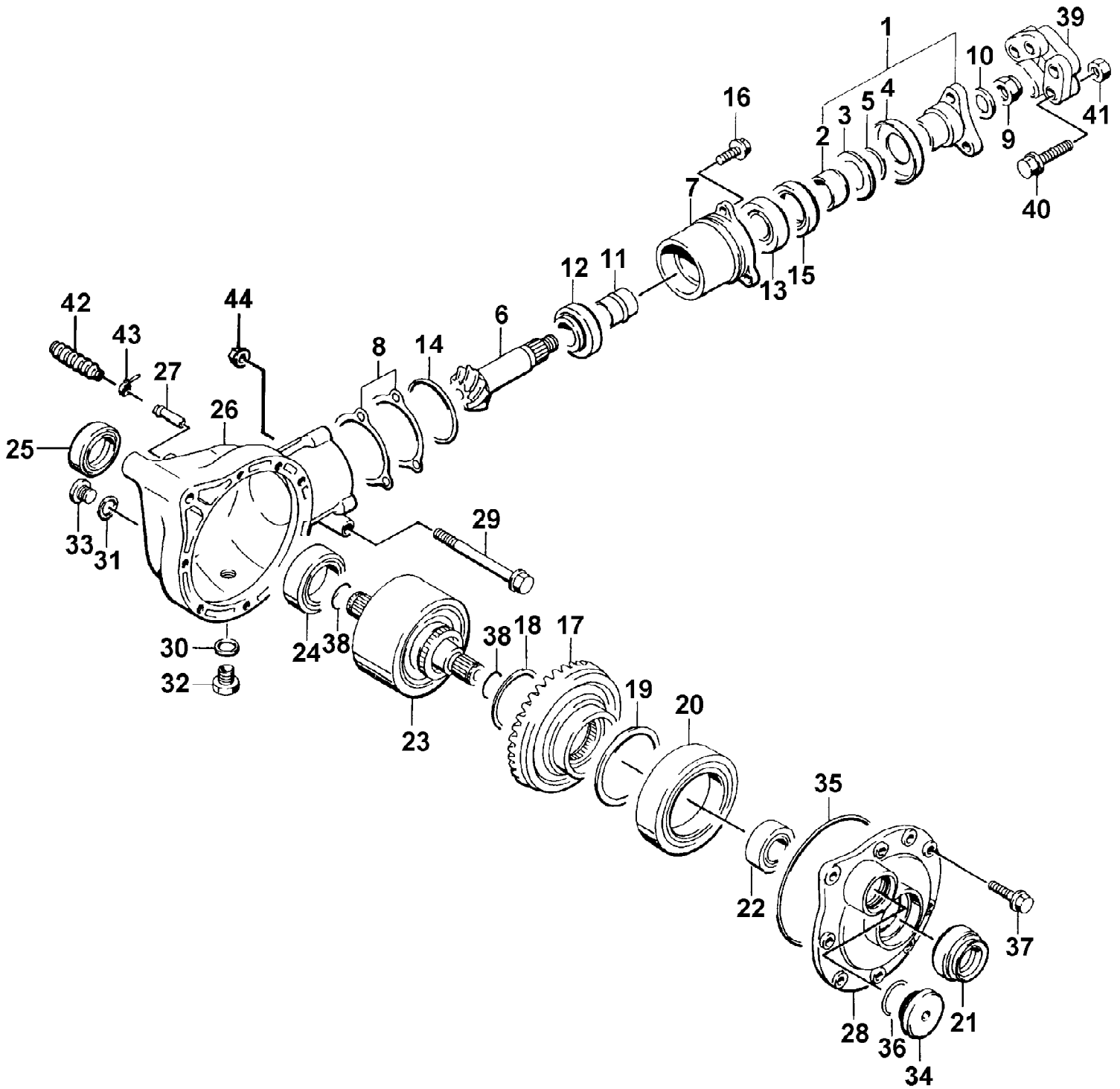
Ref #	Part Number	Qty	S/P/F	Description
1	0512-001	1		Pipe, Exhaust
2	8408-820	2	/P	Screw, Cap
3	3423-009	2	/P	Screw, Cap
4	0423-050	3		Washer, Engine
5	0423-042	1	S	Spacer, Engine
6	0462-008	1		Engine (400 2X4)
6	0462-010	1		Engine (400 4X4)
6	0462-011	1	S	Engine (500)
7	8428-002	3		Nut, Lock
8	0412-007	1	/P	Seal, Exhaust
9	8424-802	3		Nut
10	8408-860	1		Screw, Cap
11	8408-816	4		Screw, Cap
12	0506-083	1		Bracket, Engine - Upper
13	0502-084	1	/P	Lever, Shift
14	8476-620	1		Screw, Cap
15	0423-150	1		Clamp, Exhaust
16	0412-033	6		Bushing, Exhaust
17	0412-056	1	S	Muffler
18	0423-106	3		Screw, Machine - Shoulder
19	0406-224	1		Cover, Exhaust
20	8477-610	4		Screw, Machine
21	0423-079	2		Clamp, Hose
22	0406-298	1		Plate, Heat - Muffler
23	8053-211	4	S	Washer, Lock - External Tooth
24	8424-602	2	/P	Nut, Flange
25	8476-640	2		Screw, Cap
26	0107-630	2		Spacer

2001 400 4X4 GREEN (A2001ATI4AUSG) (ATV 400/500 CC MANUAL TRANSMISSION) of 99
FRAME AND RELATED PARTS



2001 400 4X4 GREEN (A2001ATI4AUSG) (ATV 400/500 CC MANUAL TRANSMISSION) of 99
FRAME AND RELATED PARTS

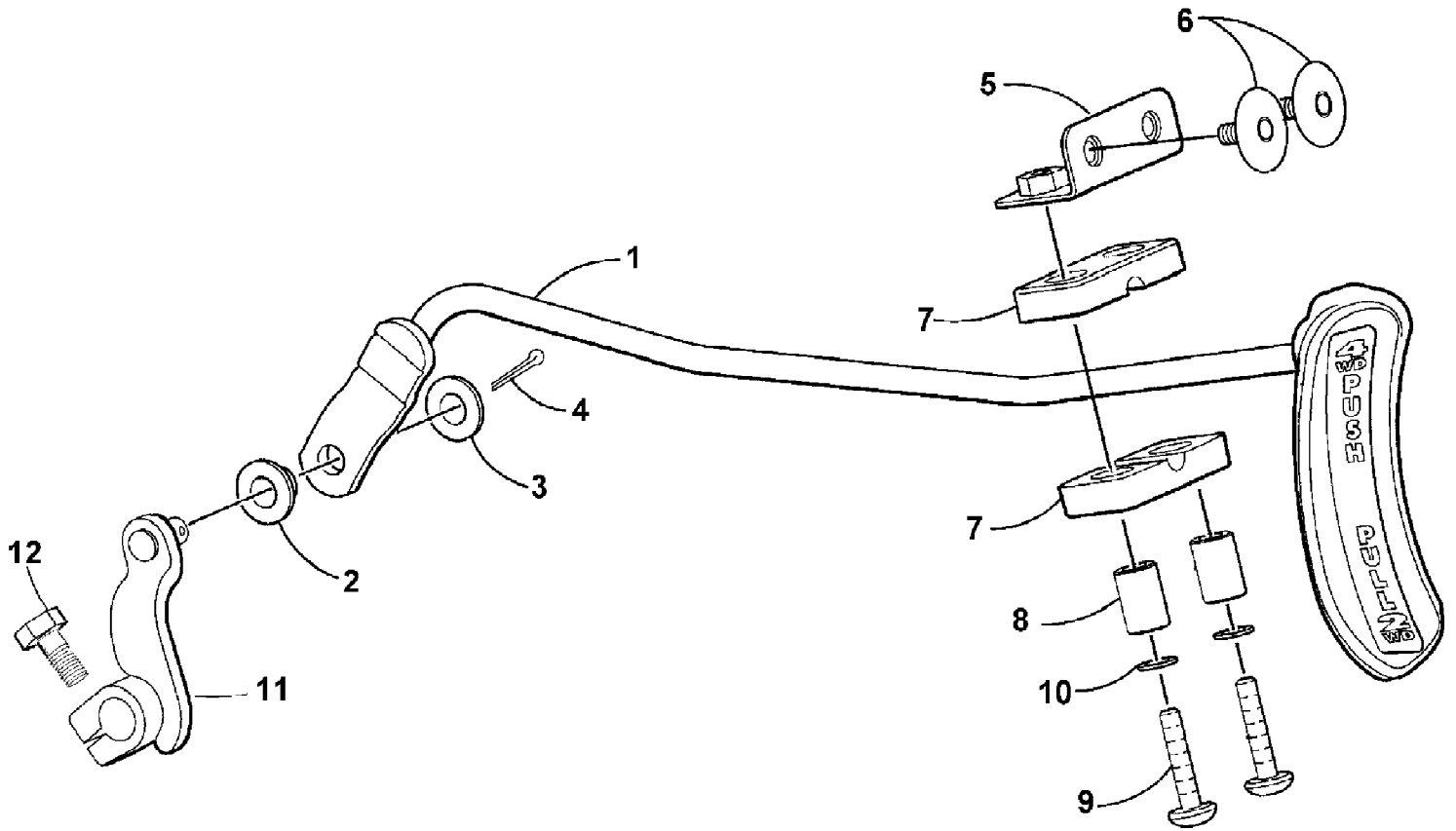
Ref #	Part Number	Qty	S/P/F	Description
1	0409-001	2		Headlight Assembly (inc. 3 and 13)
2	8424-802	6		Nut
3	0409-005	2		Bulb, Headlight
4	8053-242	2	/P	Washer, Lock - External Tooth
5	8408-850	2		Screw, Cap
6	0406-390	1		Screen, Bumper - Lower (400)
6	0406-175	1		Screen, Bumper - Lower (500)
7	0406-261	2		Yoke, Headlight
8	0406-762	2	/P	Mount, Headlight
9	8409-020	8	/P	Screw, Cap
10	0506-192	1		Guard, Brush (400)
10	0506-410	1		Guard, Brush (500)
11	0506-176	1	S	Footrest - Right
12	0506-381	1	S	Footrest - Left
13	0123-590	2		Screw, Machine
14	8408-816	AR		Screw, Cap
15	0506-481	1	S	Frame, Main
16	3423-204	2	/P	Washer
17	0423-101	AR		Screw, Body
18	0406-354	1	/P	Panel, Belly
19	0506-079	1		Tube, Cross - Bumper (500)
20	0406-130	2		Cap, Bumper (500)
21	8408-820	2	/P	Screw, Cap (4X4)
22	0506-149	1		Bracket, Differential (4X4)
23	8428-002	2		Nut, Lock (4X4)
24	3423-010	2	/P	Screw, Cap (4X4)
25	0506-297	2	S	Channel, Bumper Mounting (500)
26	8408-812	AR		Screw, Cap
27	0623-710	2		Washer, Lock - High Collar



2001 400 4X4 GREEN (A2001ATI4AUSG) (ATV 400/500 CC MANUAL TRANSMISSION)
FRONT BEVEL GEAR ASSEMBLY (400 cc 4X4)

Page 30 of 99

Ref #	Part Number	Qty	S/P/F	Description
	3402-004	1	/P	Complete Assembly
1	3435-089	1	/P/F	Flange, Gear (inc. 2-5)
2	3435-029	1	F	Collar, Gear
3	3435-030	1	F	Plate, Oil Seal
4	3423-034	1	F	Plate, Gear
5	3423-060	1	F	O-Ring, Collar
6	3435-086	1		Gear, Bevel
7	3435-021	1		Housing, Bevel Gear
8	3435-022	1		Shim Set, Housing
9	3423-178	1	/P/F	Nut, Gear
10	3423-028	1	F	Washer, Bevel Gear
11	3402-016	1		Spacer, Bevel Gear
12	3402-065	1		Bearing
13	3402-066	1	/P	Bearing
14	3423-064	1		O-Ring
15	3402-072	1		Seal, Joint
16	3423-175	3	S	Bolt, Housing
17	3435-087	1		Gear
18	3435-017	1		Shim Set
19	3435-020	1		Shim Set
20	3402-059	1		Bearing
21	3402-072	1		Seal - Left
22	3402-185	1		Bearing - Left
23	3435-013	1		Differential - Assembly
24	3402-057	1		Bearing, Differential Case - Right
25	3402-072	1		Seal, Output Oil
26	3435-024	1		Housing (inc. 27)
27	3402-084	1		Union, Breather
28	3435-025	1		Case, Bearing
29	3423-010	2	/P	Bolt, Mounting
30	3402-012	1		Gasket, Oil Drain Plug
31	3402-013	1	/P	Gasket, Oil Filler Plug
32	3402-036	1	S	Plug, Oil Drain
33	3402-041	1	S	Plug, Oil Filler
34	3402-197	1		Plug
35	3423-050	1		O-Ring
36	3423-061	1		O-Ring
37	3423-175	8	S	Screw, Cap
38	3423-070	2		Ring, Driveshaft - Front
39	3435-007	1	F	Coupling, Propeller Shaft
40	3423-182	6	S/F	Screw, Cap
41	3004-491	6	S/P/F	Nut
42	0402-147	1	S/F	Bladder, Housing
43	0123-811	1	F	Cable Tie - 4 in.
44	8428-002	2		Nut, Lock



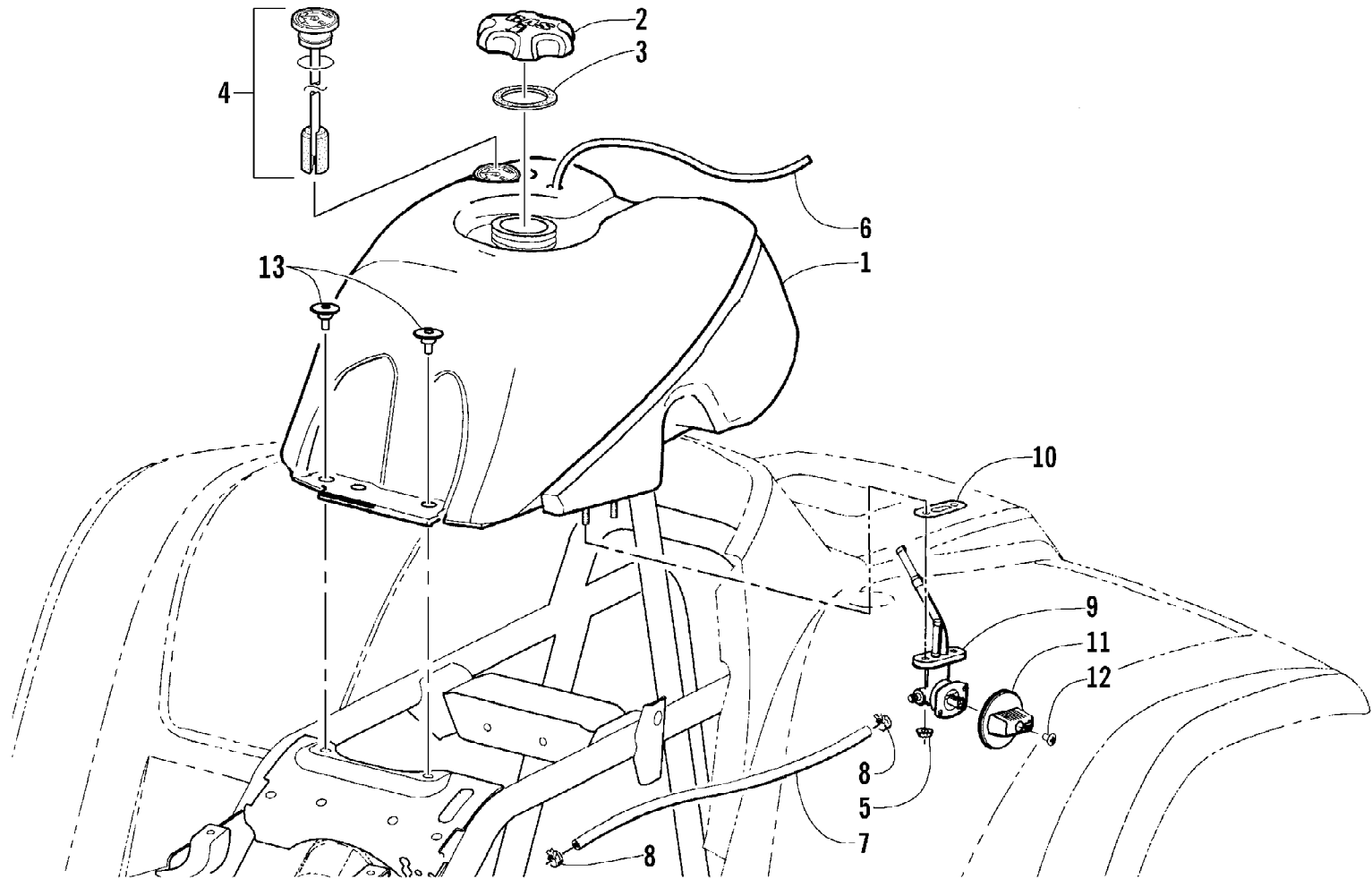
2001 400 4X4 GREEN (A2001ATI4AUSG) (ATV 400/500 CC MANUAL TRANSMISSION) Page 10 of 99
 FRONT SHIFT LINKAGE ASSEMBLY

Ref #	Part Number	Qty	S/P/F	Description
1	0502-160	1		Linkage, Shift
2	0423-091	1		Bushing, Shift Linkage
3	8050-242	1		Washer
4	0623-846	1		Pin, Cotter
5	0506-400	1		Bracket, Shift Linkage
6	0423-101	2		Screw, Body
7	0406-363	2		Bushing
8	0402-256	2		Collar
9	8476-630	2		Screw, Machine
10	8050-222	2	/P	Washer
11	0502-148	1	S	Arm, Select
12	8476-620	1		Screw, Machine

2001 400 4X4 GREEN (A2001ATI4AUSG) (ATV 400/500 CC MANUAL TRANSMISSION) of 99
FRONT SUSPENSION ASSEMBLY

Ref #	Part Number	Qty	S/P/F	Description
1	0603-033	2	S	Retainer, Spring
2	0403-034	2		Shock Absorber - Front (inc. 3-4) (2X4)
2	0403-001	2		Shock Absorber - Front (inc. 3-4) (4X4)
3	0604-310	8		Bushing, Shock Absorber
4	0403-028	4		Sleeve, Shock
5	8428-002	12		Nut, Lock
6	8409-040	4		Screw, Cap
7	0403-002	2		Spring, Shock Absorber
8	0403-025	2	/P	Collar, Spring
9	0403-013	2		Washer, Spring
10	0503-026	1	S/P	A-Arm, Upper Right - Assembly (inc. 11-12)
10	0503-027	1	S/P	A-Arm, Upper Left - Assembly (inc. 11-12)
11	0405-068	4	S	Ball Joint - Front
12	0423-009	4	/P	Clip, Ball Joint
13	0505-026	1	S/P	Knuckle - Assembly - Right (inc. 14-18)
13	0505-027	1	S/P	Knuckle - Assembly - Left (inc. 14-18)
14	0505-062	1	S	Knuckle, Steering - Right
14	0505-063	1	S	Knuckle, Steering - Left
15	0402-275	2	/P	Bearing, Wheel Hub - Front
16	0423-034	2		Clip, Bearing
17	0402-089	2		Seal, Wheel Bearing - Front
18	0402-069	2		Seal, Wheel Bearing - Front
19	8409-030	4		Screw, Cap
20	8409-060	8		Screw, Cap
21	0503-036	1	S	A-Arm, Lower Right (inc. 11-12) (2X4)
21	0503-037	1	S	A-Arm, Lower Left (inc. 11-12) (2X4)
21	0503-092	1	S	A-Arm, Lower Right (inc. 11-12) (4X4)
21	0503-093	1	S	A-Arm, Lower Left (inc. 11-12) (4X4)
22	0402-179	1	S	Axle, Drive - Front Right (500 4X4)
22	0402-179	2	S	Axle, Drive - Front (400 4X4)
22	0402-179	1	S	Axle, Drive - Front Left (500 4X4)
23	0436-114	2	S	Repair Kit, Outer Boot - Front Axle
24	0436-113	2	S	Repair Kit, Inner Boot - Front Axle
25	0403-027	2		Retainer, Spring - Lower
26	0402-183	2		Axle, Stub (2X4)
27	0406-656	2		Guard, Boot - Axle
28	0423-101	4		Screw, Body

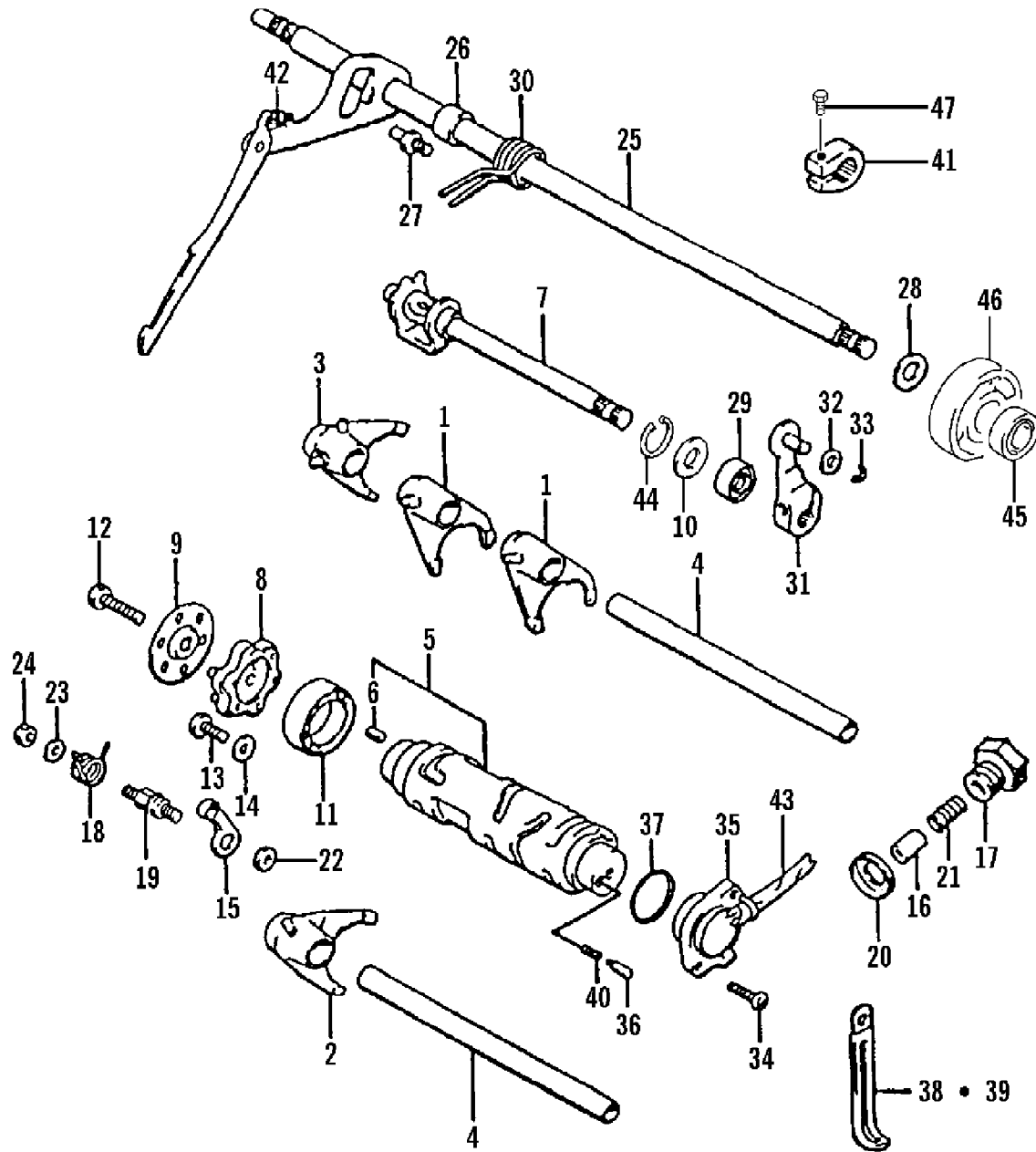
2001 400 4X4 GREEN (A2001ATI4AUSG) (ATV 400/500 CC MANUAL TRANSMISSION) of 99
GAS TANK ASSEMBLY (Vehicle Identification Number E21T325087 and Up)



2001 400 4X4 GREEN (A2001ATI4AUSG) (ATV 400/500 CC MANUAL TRANSMISSION) of 99
 GAS TANK ASSEMBLY (Vehicle Identification Number E21T325087 and Up)

Ref #	Part Number	Qty	S/P/F	Description
1	0570-035	1	S	Tank, Gas - Assembly (inc. 2-12)
2	0470-438	1	/P/F	Cap, Gas (inc. 3)
3	0109-733	1	/P/F	Gasket, Gas Cap
4	0470-444	1	S/F	Gauge, Fuel w/Gasket (Press-Fit)
5	0624-250	1	F	Nut, Lock
6	0470-381	1	S	Hose, Vent
7	0610-007	AR	/P	Hose, Gasline - 25 ft
8	0423-152	2		Clamp, Hose - Spring
9	0470-401	1	S	Valve, Fuel Shut-Off (inc. 10)
10	0470-364	1		Gasket, Fuel Shut-Off Valve
11	0470-408	1		Knob, Fuel Shut-Off Valve
12	0423-146	1		Screw, Fuel Shut-Off Valve Knob
13	0423-130	2		Screw, Gas Tank

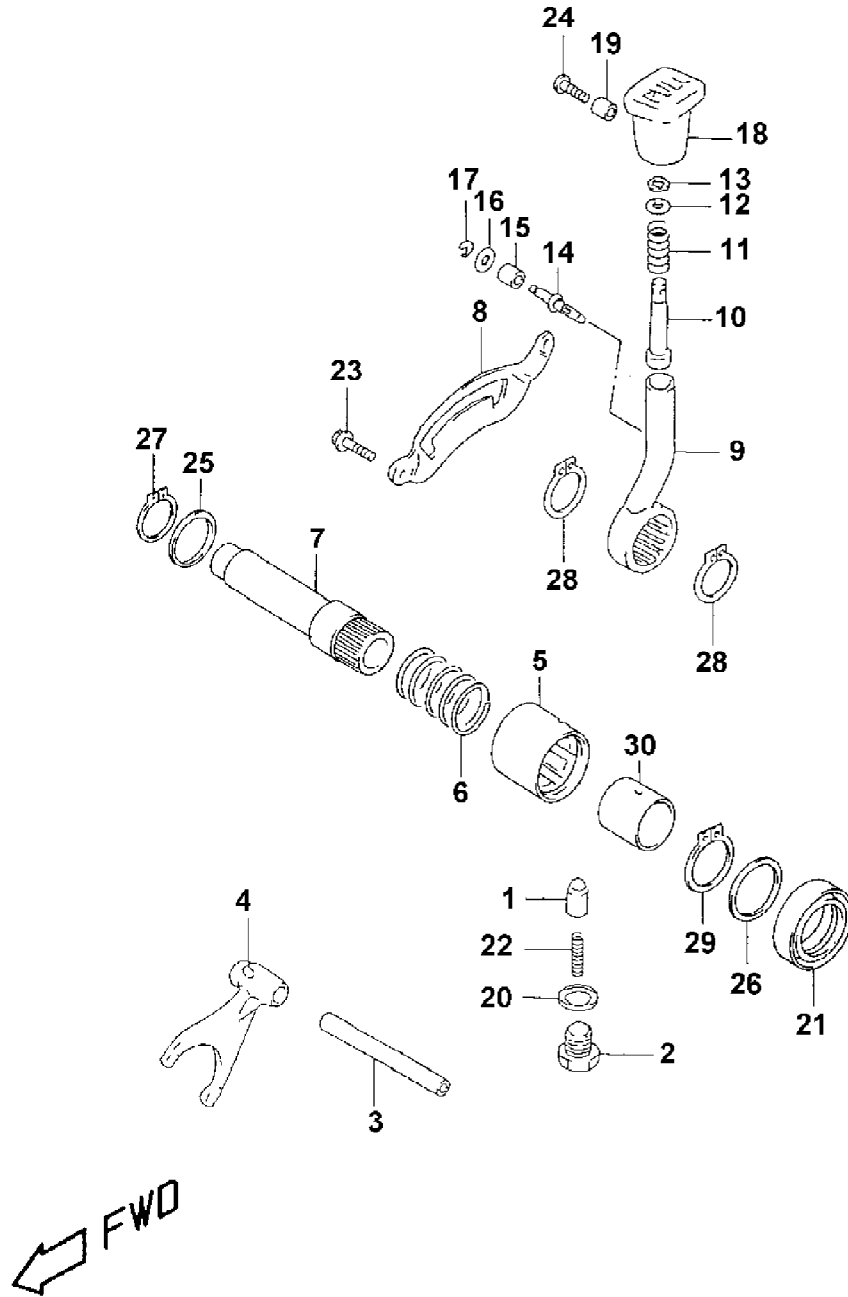
2001 400 4X4 GREEN (A2001ATI4AUSG) (ATV 400/500 CC MANUAL TRANSMISSION) of 99
GEAR SHIFTING ASSEMBLY



2001 400 4X4 GREEN (A2001ATI4AUSG) (ATV 400/500 CC MANUAL TRANSMISSION) of 99
GEAR SHIFTING ASSEMBLY

Ref #	Part Number	Qty	S/P/F	Description
1	3446-038	2		Fork (No. 2)
2	3446-039	1		Fork (No. 3)
3	3446-040	1		Fork, Reverse
4	3446-052	2		Shaft, Gear Shift Fork
5	3446-041	1		Cam, Gear Shift (inc. 6)
6	3423-114	1	/P	Pin, Gear Shift
7	3446-241	1		Cam, Reverse Shift
8	3446-049	1		Plate, Gear Shift Cam
9	3446-050	1	S	Guide, Gear Shift Cam Plate
10	3423-357	1		Washer, Reverse Shift Cam
11	3402-051	1		Bearing, Gear Shift Cam
12	3423-125	1	S	Bolt, Clutch Release Arm
13	3004-552	2	S	Screw, Cam Bearing Retainer
14	3423-135	2		Retainer, Bearing
15	3446-043	1		Stopper, Gear Shift Cam
16	3446-117	1		Stopper, Reverse Shift Cam
17	3446-164	1		Housing, Reverse Cam Stopper
18	3446-047	1		Spring, Shift Cam Stopper Arm
19	3446-048	1		Support, Shift Cam Stopper
20	3402-012	1		Gasket, Cam Stopper Housing
21	3402-088	1		Spring, Reverse Cam Stopper
22	3423-141	1		Washer, Gear Shift Cam
23	3423-142	1		Washer, Cam Stopper Arm
24	3004-488	1	S/P	Nut, Cam Stopper Arm Support
25	3446-243	1	S	Shaft, Gear Shift (inc. 42)
26	3446-054	1		Spacer, Gear Shift Shaft
27	3446-056	1		Stopper, Gear Shift Arm
28	3402-068	1	/P	Seal, Gear Shift Shaft Oil (400)
29	3402-076	1		Seal, Reverse Shift Oil
30	3402-094	1		Spring, Gear Shift Return
31	3446-055	1		Arm, Reverse Gear Shift
32	3423-209	1		Washer, Gear Shift Cable Arm (400)
32	3423-204	1	/P	Washer, Gear Shift Cable Arm (500)
33	3423-168	1	S	E-Ring, Gear Shift Cable Arm
34	3423-166	2	S	Screw, Cap
35	3430-015	1	/P	Base Assembly
36	3423-044	1		Contact, Neutral
37	3423-059	1		O-Ring, Neutral
38	3004-787	1		Clamp
39	3002-964	1	/P	Clamp
40	3402-087	1		Spring
41	3402-008	1	/P	Hub, Gear Shift
42	3402-093	1		Spring, Gear Shift
43	0706-990	AR	/P	Tape, Foil
44	3423-358	1	S	Circlip, Reverse Shift Cam
45	3402-068	1	/P	Seal, Gear Shift Shaft Oil (500)
46	3402-385	1		Bearing, Gear Shift (500)
47	3423-125	1	S	Bolt

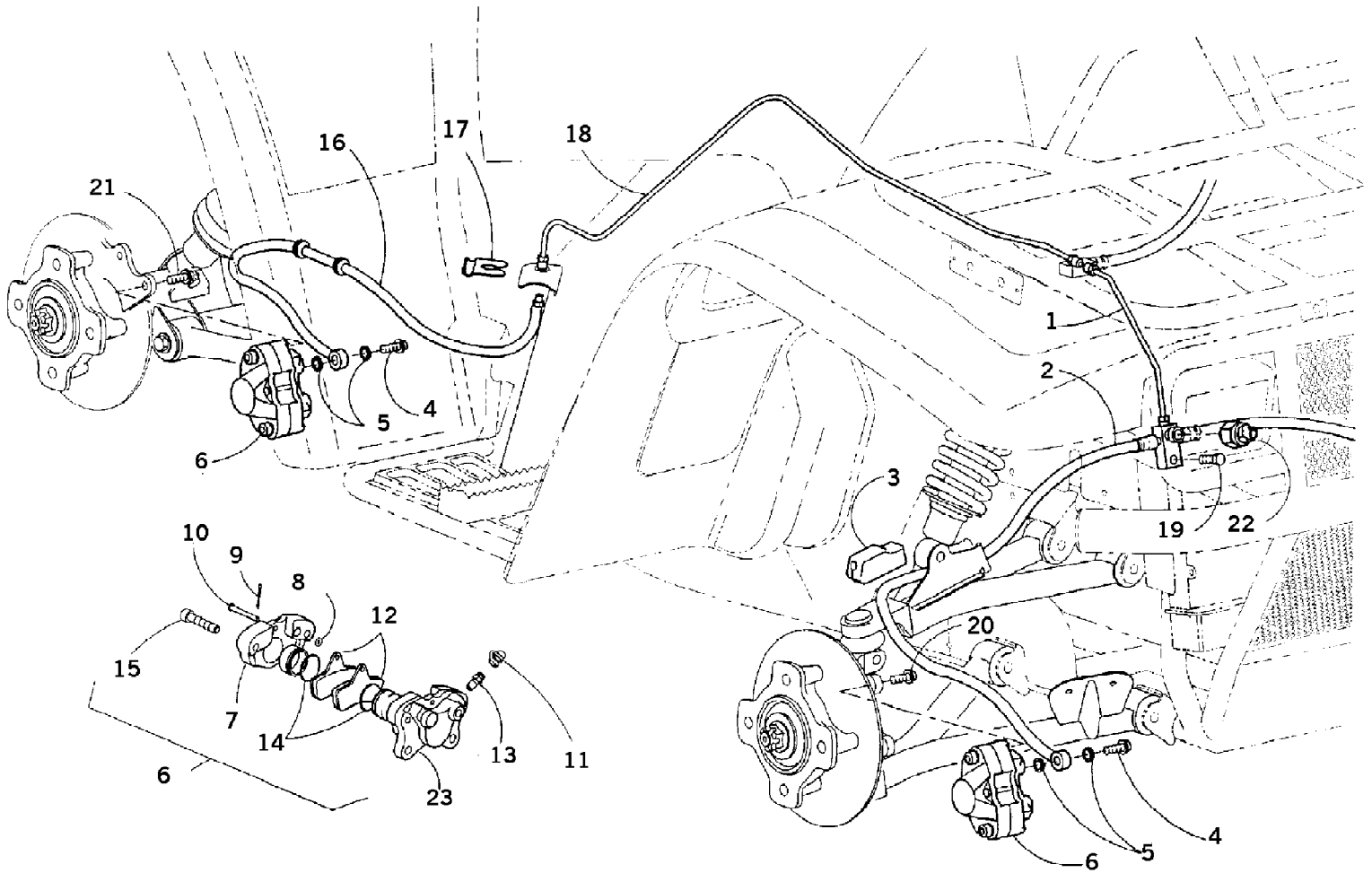
2001 400 4X4 GREEN (A2001ATI4AUSG) (ATV 400/500 CC MANUAL TRANSMISSION) of 99
HI/LO SHIFTER ASSEMBLY (4X4)



2001 400 4X4 GREEN (A2001ATI4AUSG) (ATV 400/500 CC MANUAL TRANSMISSION) of 99
 HI/LO SHIFTER ASSEMBLY (4X4)

Ref #	Part Number	Qty	S/P/F	Description
1	3446-242	1		Stopper, Shift Cam
2	3446-046	1		Housing, Shift Cam Stopper
3	3446-051	1		Shaft, Shift Fork
4	3446-073	1		Fork, Shift
5	3446-074	1		Cam, Shift (400)
5	3446-250	1		Cam, Shift (500)
6	3446-104	1		Spring
7	3446-251	1	S	Shaft, Shift
8	3446-077	1		Plate, Lever Stop
9	3446-105	1	/P	Lever, Shift - Assembly (inc. 10-17)
10	3446-252	1		Sub-Rod
11	3446-107	1		Spring
12	3423-155	1		Washer
13	3423-154	1		Circlip
14	3423-205	1		Pin
15	3446-106	1		Collar
16	3423-152	1	/P	Washer
17	3423-153	1		E-Clip
18	3446-078	1		Handle
19	3402-191	1		Spacer
20	3402-012	1		Gasket, Shift Cam Stopper
21	3402-071	1	/P	Seal, Oil
22	3446-113	1		Spring
23	3004-377	2	S/P	Bolt, Lever Stop Plate
24	3423-156	1	S	Screw, Shift Handle
25	3402-382	1		Washer, Cam Stop
26	3423-158	1	/P	Washer, Shaft - Left
27	3423-191	1	/P	Circlip, Cam Spring
28	3423-192	2	/P	Circlip, Shift Lever
29	3423-193	1	S/P	Circlip, Shaft - Left
30	3446-112	1	/P	Spacer Set (400)
30	3446-261	1		Spacer Set (500)

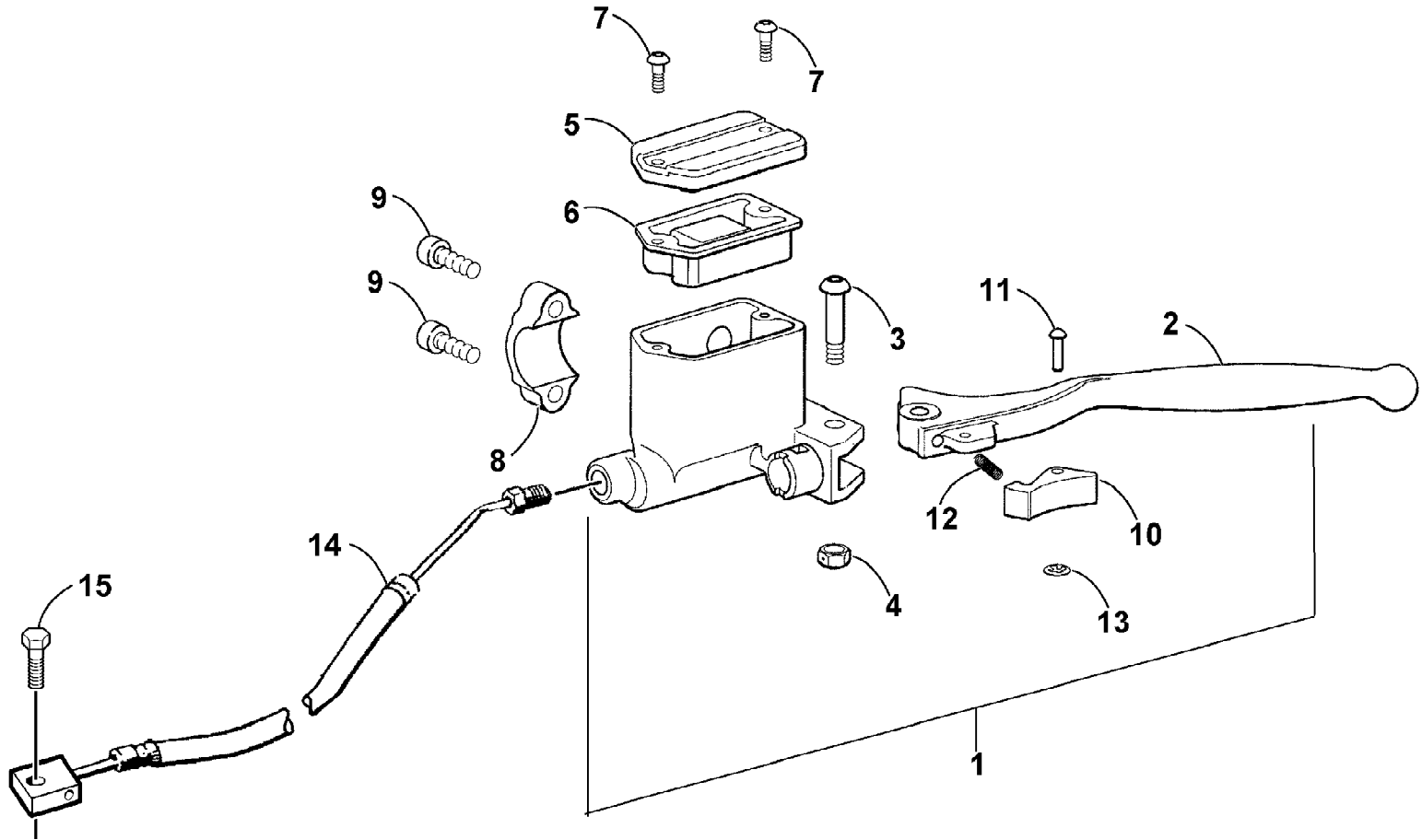
2001 400 4X4 GREEN (A2001ATI4AUSG) (ATV 400/500 CC MANUAL TRANSMISSION) of 99
HYDRAULIC BRAKE ASSEMBLY



2001 400 4X4 GREEN (A2001ATI4AUSG) (ATV 400/500 CC MANUAL TRANSMISSION) of 99
 HYDRAULIC BRAKE ASSEMBLY

Ref #	Part Number	Qty	S/P/F	Description
1	0402-373	1		Tube, Brakeline - Front
2	0402-307	1		Hose, Brake - Front
3	0402-073	2		Block, Mounting
4	0423-038	3	S	Bolt, Oil
5	0423-039	6		Washer, Crush
6	0402-488	1	S	Caliper, Brake - Right Front (inc. 7-15 and 23)
6	0402-489	2	S	Caliper, Brake - Left Front and Rear (inc. 7-15 and 23)
7	0	3	F	Housing, Caliper
8	0402-490	3		O-Ring
9	0402-496	3	S	Pin, Cotter
10	0402-495	3		Pin, Brake Caliper
11	0402-493	3		Cap, Bleeder Valve
12	0402-494	6	S	Pad, Brake
13	0402-491	3	S	Valve, Bleeder
14	0402-487	6		O-Ring, Brake Caliper
15	0402-492	12		Screw, Cap
16	0402-184	1		Hose, Brake - Rear
17	0402-115	1	S	Clip, Brakeline
18	0402-054	1		Tube, Brakeline - Rear
19	8476-625	1		Screw, Cap
20	8408-825	4		Screw, Cap
21	8408-820	2	/P	Screw, Cap
22	0402-306	1	/P	Switch, Brake Pressure
23	0	3	F	Housing, Caliper

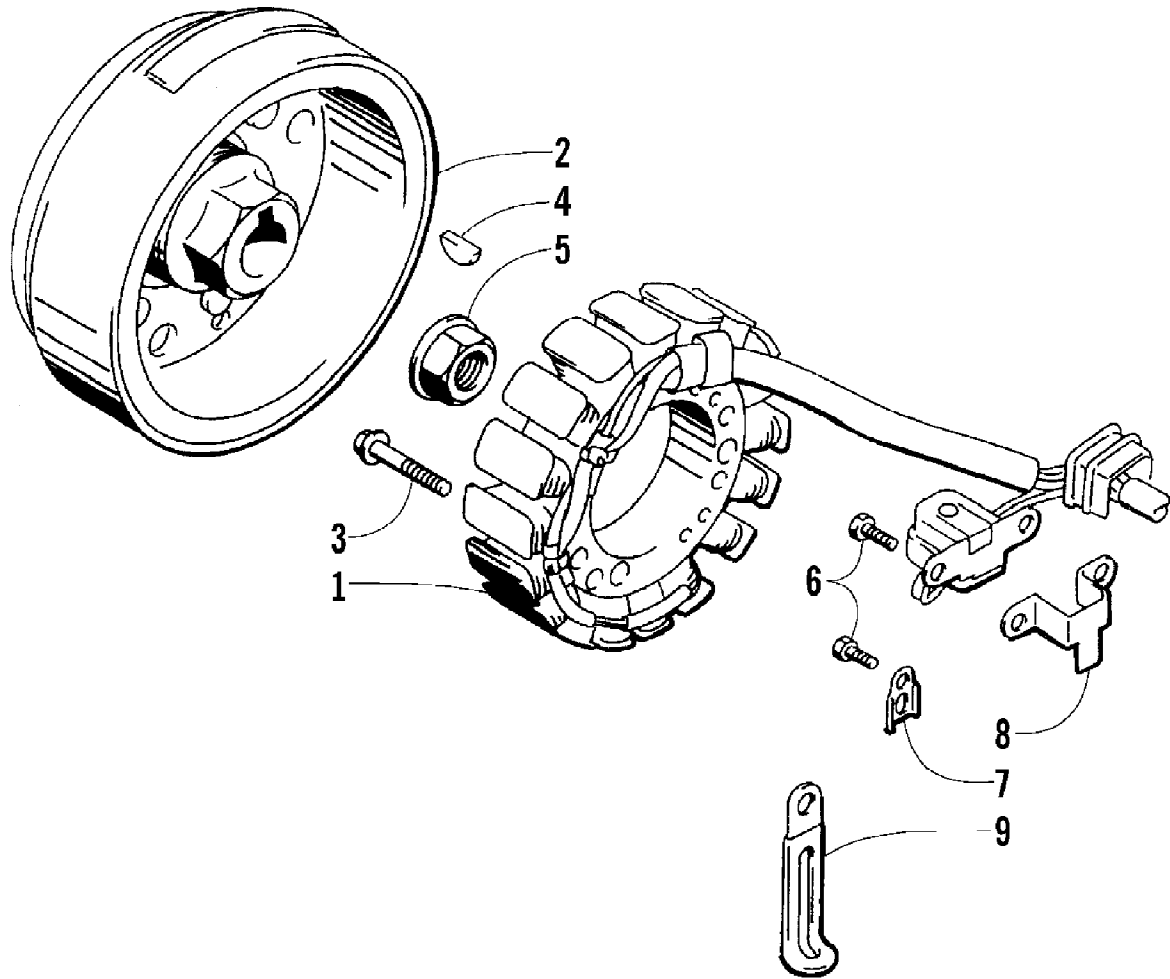
2001 400 4X4 GREEN (A2001ATI4AUSG) (ATV 400/500 CC MANUAL TRANSMISSION) of 99
HYDRAULIC HAND BRAKE ASSEMBLY



2001 400 4X4 GREEN (A2001ATI4AUSG) (ATV 400/500 CC MANUAL TRANSMISSION) Page 11 of 99
 HYDRAULIC HAND BRAKE ASSEMBLY

Ref #	Part Number	Qty	S/P/F	Description
1	0502-231	1	S	Cylinder, Master - Assembly (inc. 2-13)
2	0402-818	1	/P	Lever, Brake
3	0402-549	1	S	Screw
4	0402-557	1	S	Nut, Lock
5	0402-544	1		Cover, Reservoir
6	0402-553	1		Bladder, Reservoir
7	0402-545	2		Screw
8	0402-558	1	S	Clamp, Master Cylinder
9	0402-562	2	S	Screw
10	0402-546	1	S	Lever, Brake - Lock
11	0402-547	1	S	Rivet
12	0402-559	1		Spring, Lever Lock
13	0402-561	1	S	Washer, Lock - Retaining
14	0402-050	1	S	Hose, Brakeline
15	8476-625	1		Screw, Machine

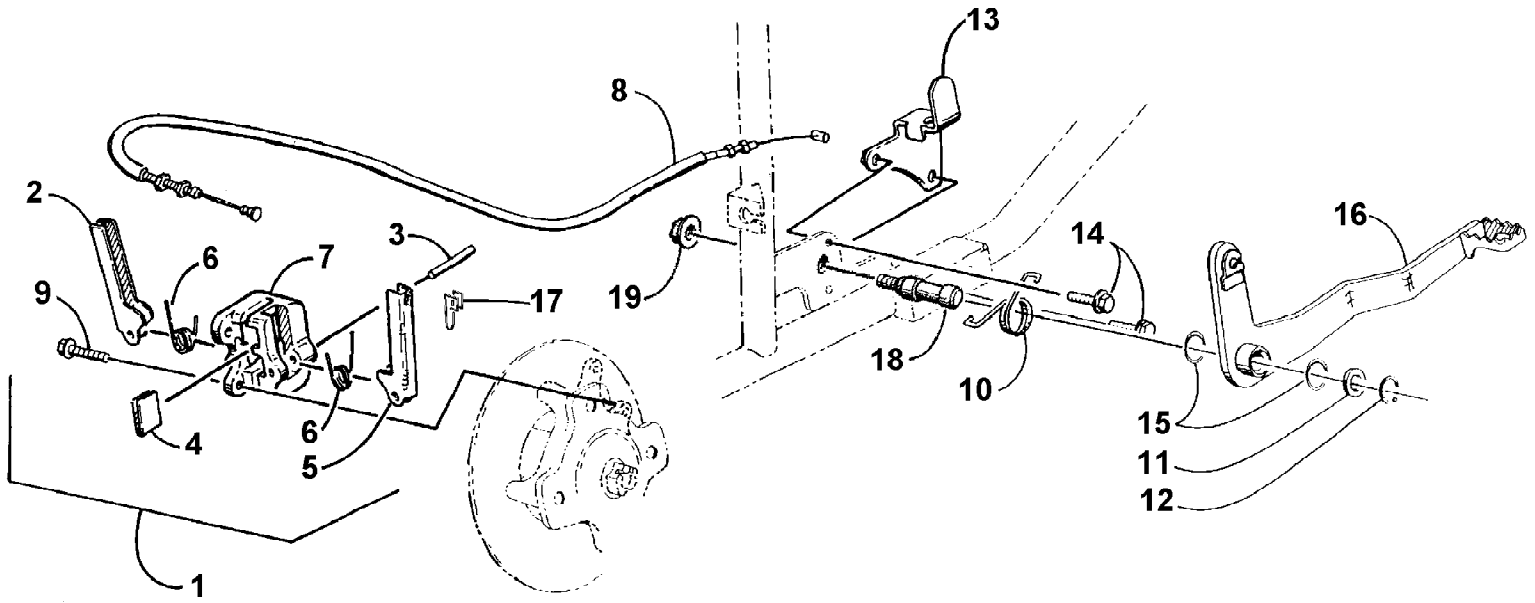
2001 400 4X4 GREEN (A2001ATI4AUSG) (ATV 400/500 CC MANUAL TRANSMISSION) of 99
MAGNETO ASSEMBLY



2001 400 4X4 GREEN (A2001ATI4AUSG) (ATV 400/500 CC MANUAL TRANSMISSION) Page 15 of 99
 MAGNETO ASSEMBLY

Ref #	Part Number	Qty	S/P/F	Description
1	3430-011	1	/P	Stator Assembly
2	3430-012	1		Rotor/Flywheel
3	3423-162	3	S	Bolt
4	0691-785	1		Key
5	3423-086	1		Nut
6	3423-005	3	/P	Screw, Cap
7	3430-005	1		Clamp (No. 1)
8	3430-006	1		Clamp (No. 2)
9	3002-964	1	/P	Clamp (No. 3)

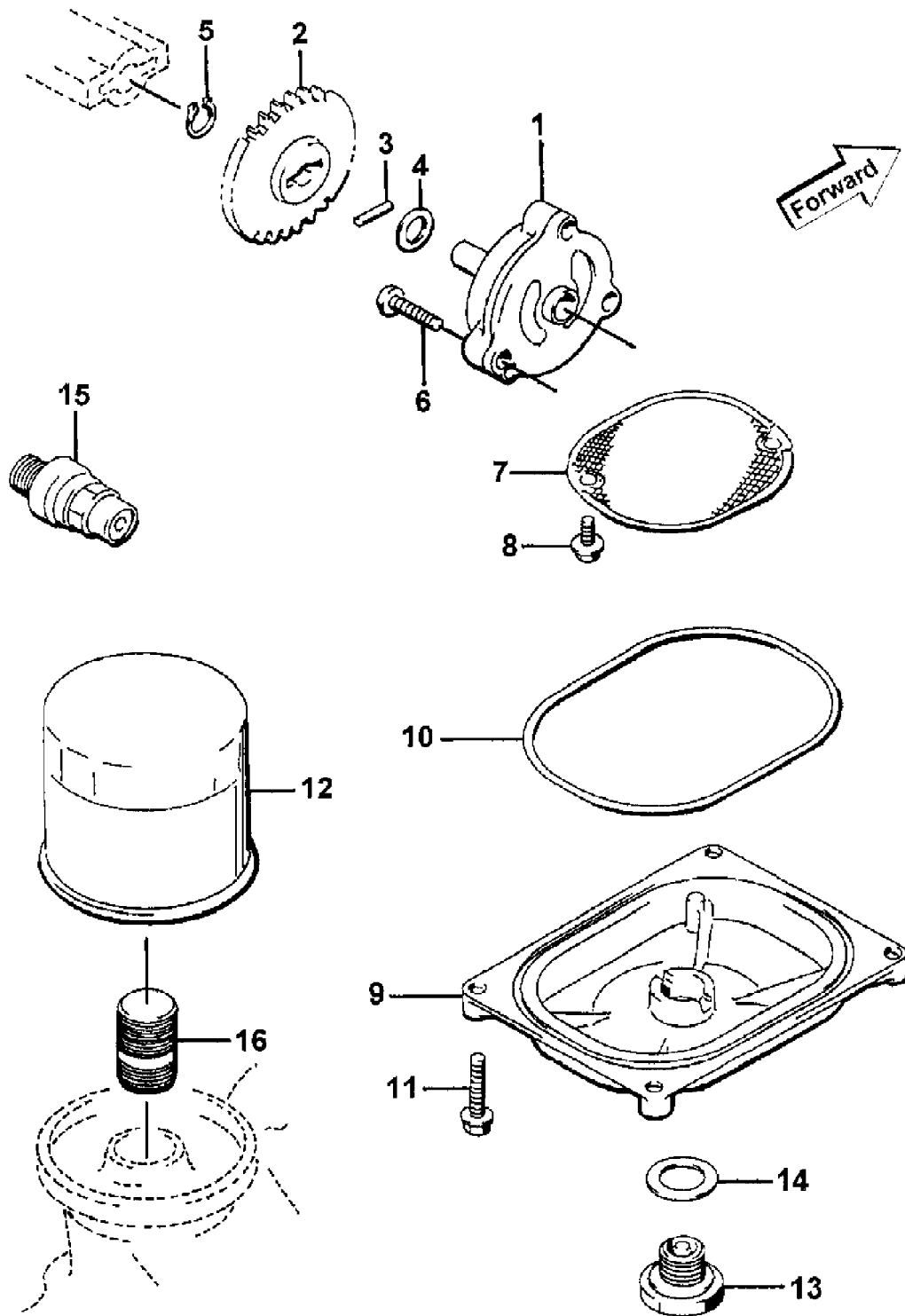
2001 400 4X4 GREEN (A2001ATI4AUSG) (ATV 400/500 CC MANUAL TRANSMISSION) of 99
MECHANICAL BRAKE ASSEMBLY



2001 400 4X4 GREEN (A2001ATI4AUSG) (ATV 400/500 CC MANUAL TRANSMISSION) of 99
 MECHANICAL BRAKE ASSEMBLY

Ref #	Part Number	Qty	S/P/F	Description
1	0502-115	1	S	Mechanical Brake Assembly (inc. 2-7)
2	0	1	F	Arm, Inner
3	0	2	F	Pin, Arm
4	0402-210	2	S	Pad, Brake
5	0	1	F	Arm, Outer
6	0	2	F	Spring, Arm
7	0	1	F	Housing, Brake
8	0487-006	1		Cable, Brake - Rear
9	8408-820	2	/P	Screw, Cap
10	0402-161	1	S/P	Spring, Brake
11	0423-027	1		Washer, Brake Lever
12	0623-237	1	/P	Ring, Snap
13	0502-056	1		Bracket, Brake Switch
14	8476-616	2		Screw, Cap
15	0670-183	2		O-Ring
16	0502-095	1	/P	Lever, Brake
17	0402-379	1		Wire Form, Cable
18	0406-562	1		Axle, Foot Brake
19	0423-165	1		Nut

2001 400 4X4 GREEN (A2001ATI4AUSG) (ATV 400/500 CC MANUAL TRANSMISSION) of 99
OIL FILTER/PUMP ASSEMBLY

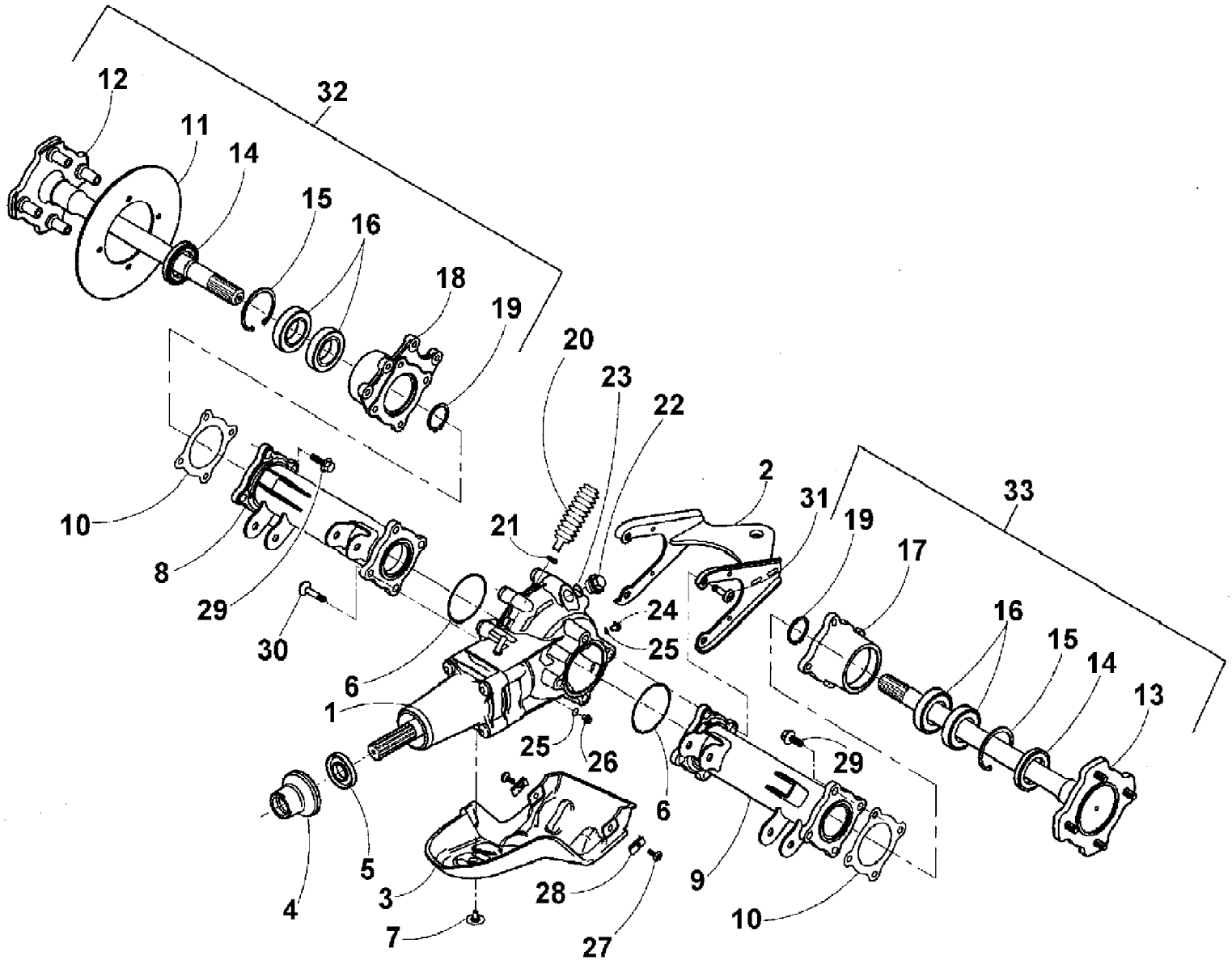


2001 400 4X4 GREEN (A2001ATI4AUSG) (ATV 400/500 CC MANUAL TRANSMISSION) of 99
 OIL FILTER/PUMP ASSEMBLY

Page 10 of 10

Ref #	Part Number	Qty	S/P/F	Description
1	3402-153	1		Pump, Engine Oil
2	3402-026	1		Gear, Driven
3	3423-046	1		Pin
4	3423-115	1		Washer
5	3423-184	1	S	Circlip
6	3423-113	3	S/P	Screw, Cap
7	3402-156	1		Strainer, Engine Oil
8	0693-389	2	S	Screw, Cap
9	3402-157	1		Cap, Oil Strainer
10	3423-077	1		O-Ring
11	3004-756	4	S	Screw, Cap
12	0436-146	1	S	Filter, Engine Oil
13	3402-036	1	S	Plug, Drain
14	3402-012	1		Gasket
15	3402-154	1		Valve, Assembly - Oil Relief (400)
15	3402-359	1		Valve, Assembly - Oil Relief (500)
16	3402-158	1	S	Union, Oil Filter

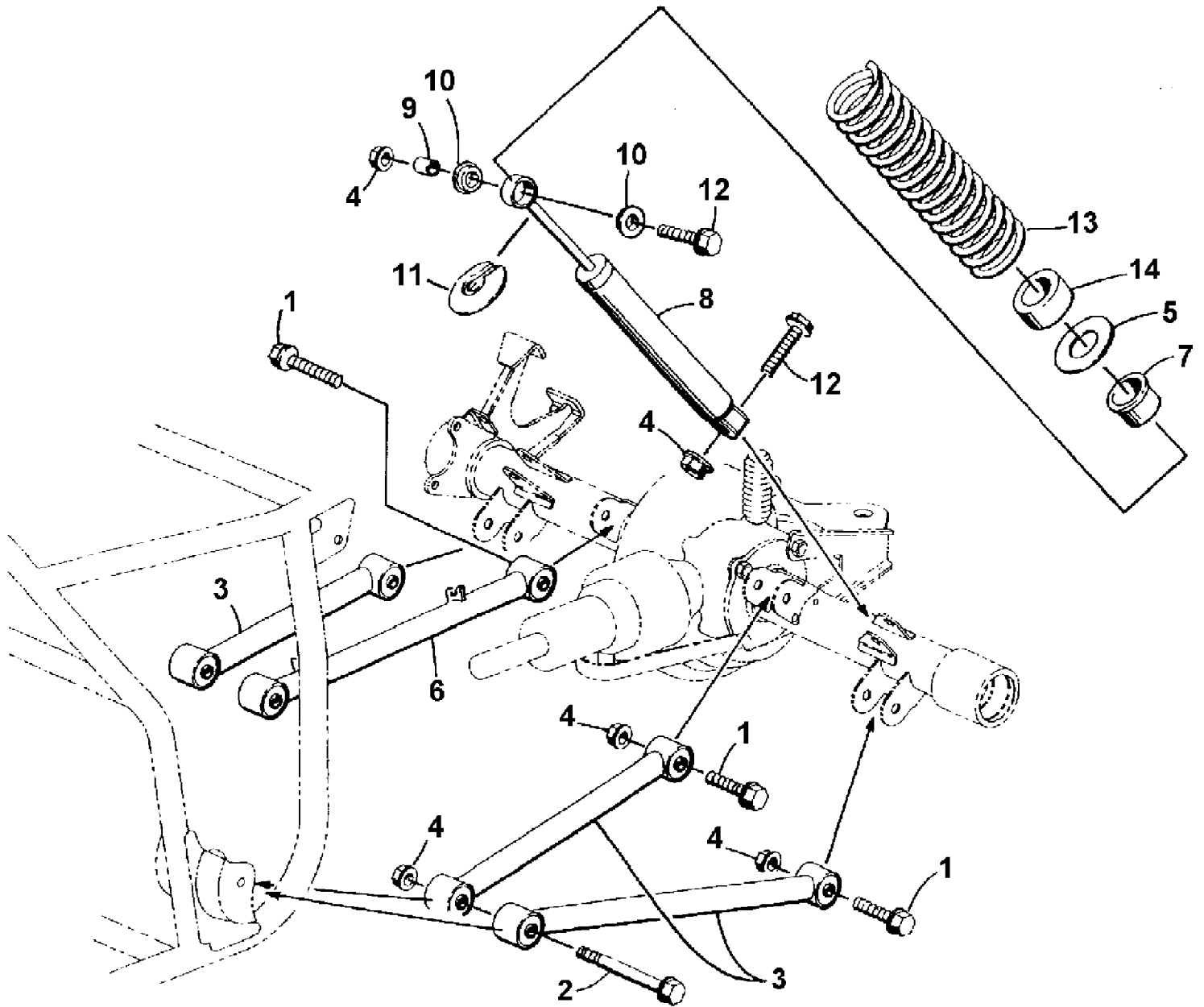
2001 400 4X4 GREEN (A2001ATI4AUSG) (ATV 400/500 CC MANUAL TRANSMISSION) of 99
REAR AXLE ASSEMBLY



2001 400 4X4 GREEN (A2001ATI4AUSG) (ATV 400/500 CC MANUAL TRANSMISSION) of 99
 REAR AXLE ASSEMBLY

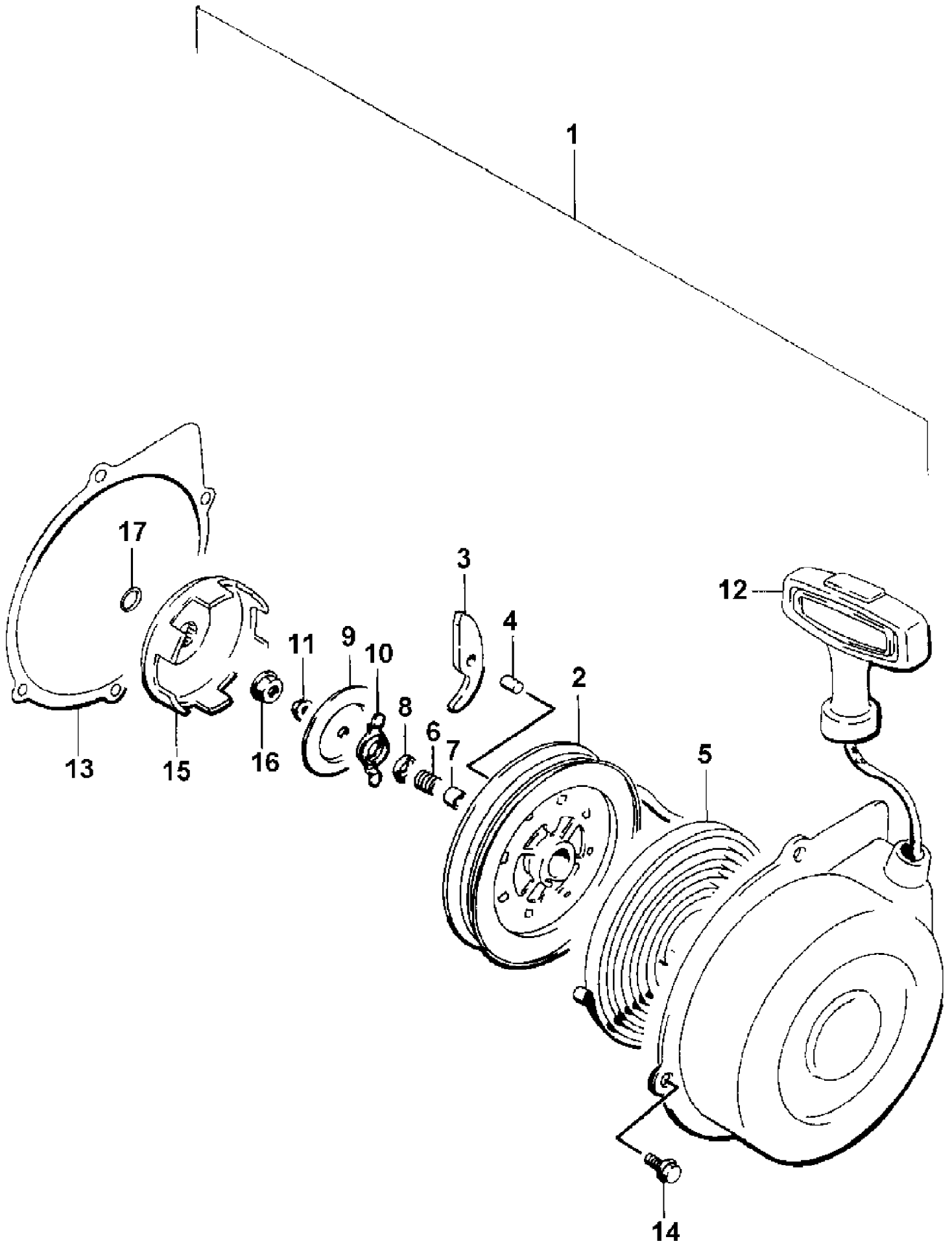
Ref #	Part Number	Qty	S/P/F	Description
1	0502-108	1		Gear Case Assembly
2	0506-300	1		Hitch, Trailer
3	0406-415	1		Panel, Gear Case - Right
4	0402-352	1		Slinger, Rear Drive - Right
5	0402-323	1		Seal, Rear Drive Slinger
6	0423-119	2		O-Ring
7	0423-101	1		Screw, Body
8	0502-090	1		Housing, Axle - Right
9	0502-091	1		Housing, Axle - Left
10	0402-374	2		Gasket, Axle Housing
11	0402-009	1	S	Disc, Brake
12	0502-112	1	S/P	Axle Assembly - Right
13	0502-113	1	S/P	Axle Assembly - Left
14	0402-348	2		Seal
15	0402-347	2		Ring, Retaining
16	0402-339	4		Bearing
17	0502-097	1	S	Housing, Bearing - Left
18	0502-096	1	S	Housing, Bearing - Right
19	0402-351	2		Ring, Retaining
20	0402-147	1	S	Bladder, Rear Drive Case
21	0423-315	1		Clamp, Hose (Double Wire)
22	0402-333	1	/P	Plug, Fill
23	0423-154	1		O-Ring, Fill Plug
24	0402-334	1		Plug, Drain
25	0423-153	2		O-Ring, Drain Plug
26	0402-450	1	S	Plug, Drain - Magnetic
27	8477-616	2		Screw, Machine
28	0423-031	2		Nut, Speed
29	8409-025	8		Screw, Cap
30	0423-117	4		Screw, Self-Tapping
31	0423-116	4		Screw, Self-Tapping
32	0502-106	1	S	Retainer, Axle - Assembly - Right (inc. 11-12, 14-16, and 18-19)
33	0502-107	1	/P	Retainer, Axle - Assembly - Left (inc. 13-17 and 19)

2001 400 4X4 GREEN (A2001ATI4AUSG) (ATV 400/500 CC MANUAL TRANSMISSION) of 99
REAR SUSPENSION ASSEMBLY



2001 400 4X4 GREEN (A2001ATI4AUSG) (ATV 400/500 CC MANUAL TRANSMISSION) Page 11 of 99
 REAR SUSPENSION ASSEMBLY

Ref #	Part Number	Qty	S/P/F	Description
1	8409-060	4		Screw, Cap
2	8409-000	2		Screw, Cap
3	0504-001	3		Arm, Swing
4	8428-002	10		Nut, Lock
5	0403-013	2		Washer, Spring Adjustment
6	0504-005	1		Arm, Swing
7	0403-027	2		Retainer, Spring - Lower
8	0404-001	2		Shock Absorber - Rear (inc. 9-10)
9	0403-028	4		Sleeve, Shock Absorber
10	0604-310	8		Bushing, Shock Absorber
11	0603-033	2	S	Retainer, Spring
12	8409-040	4		Screw, Cap
13	0404-006	2	/P	Spring, Shock Absorber
14	0403-025	2	/P	Collar, Spring

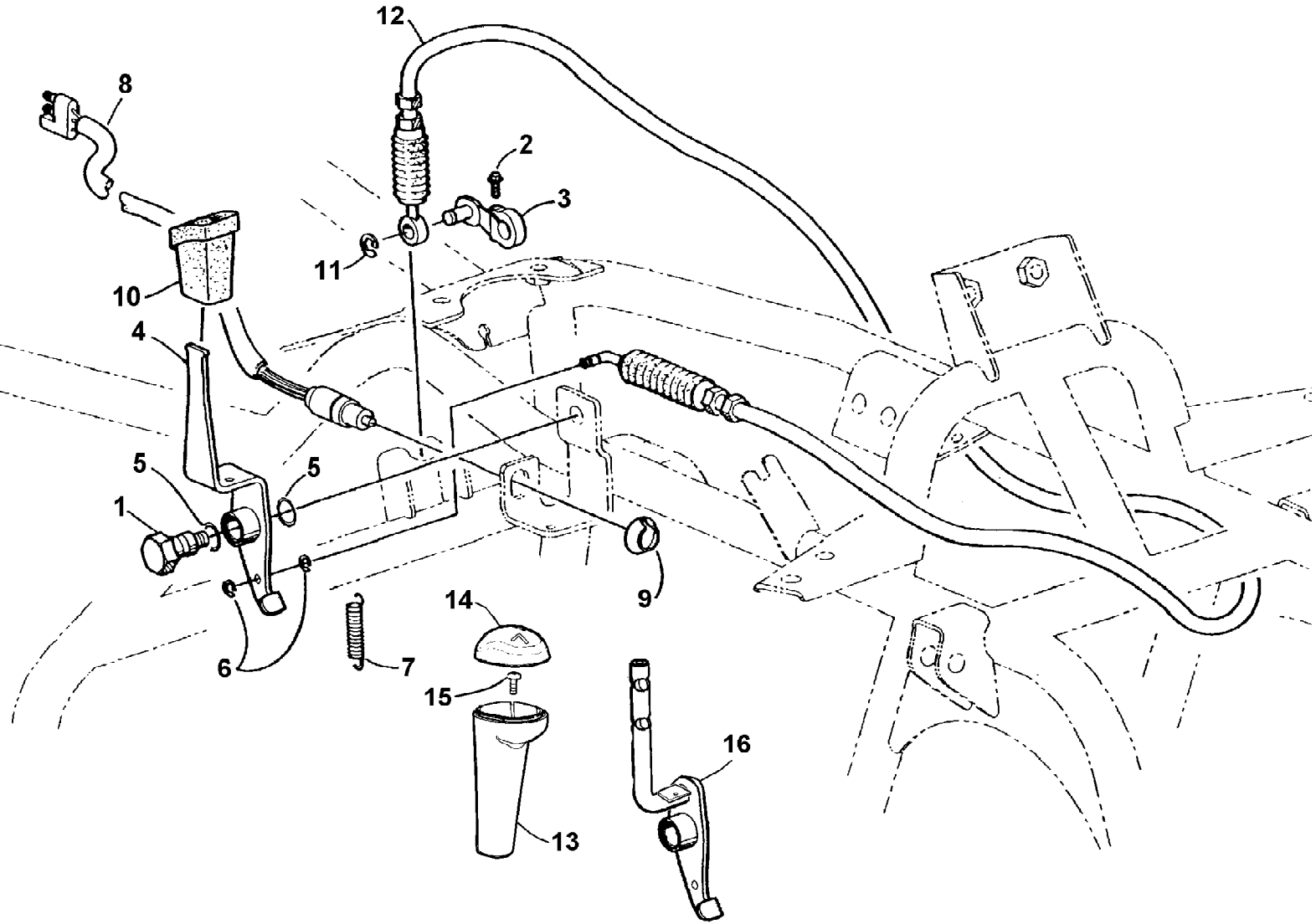


2001 400 4X4 GREEN (A2001ATI4AUSG) (ATV 400/500 CC MANUAL TRANSMISSION) of 99
 RECOIL STARTER ASSEMBLY

Page 15 of 99

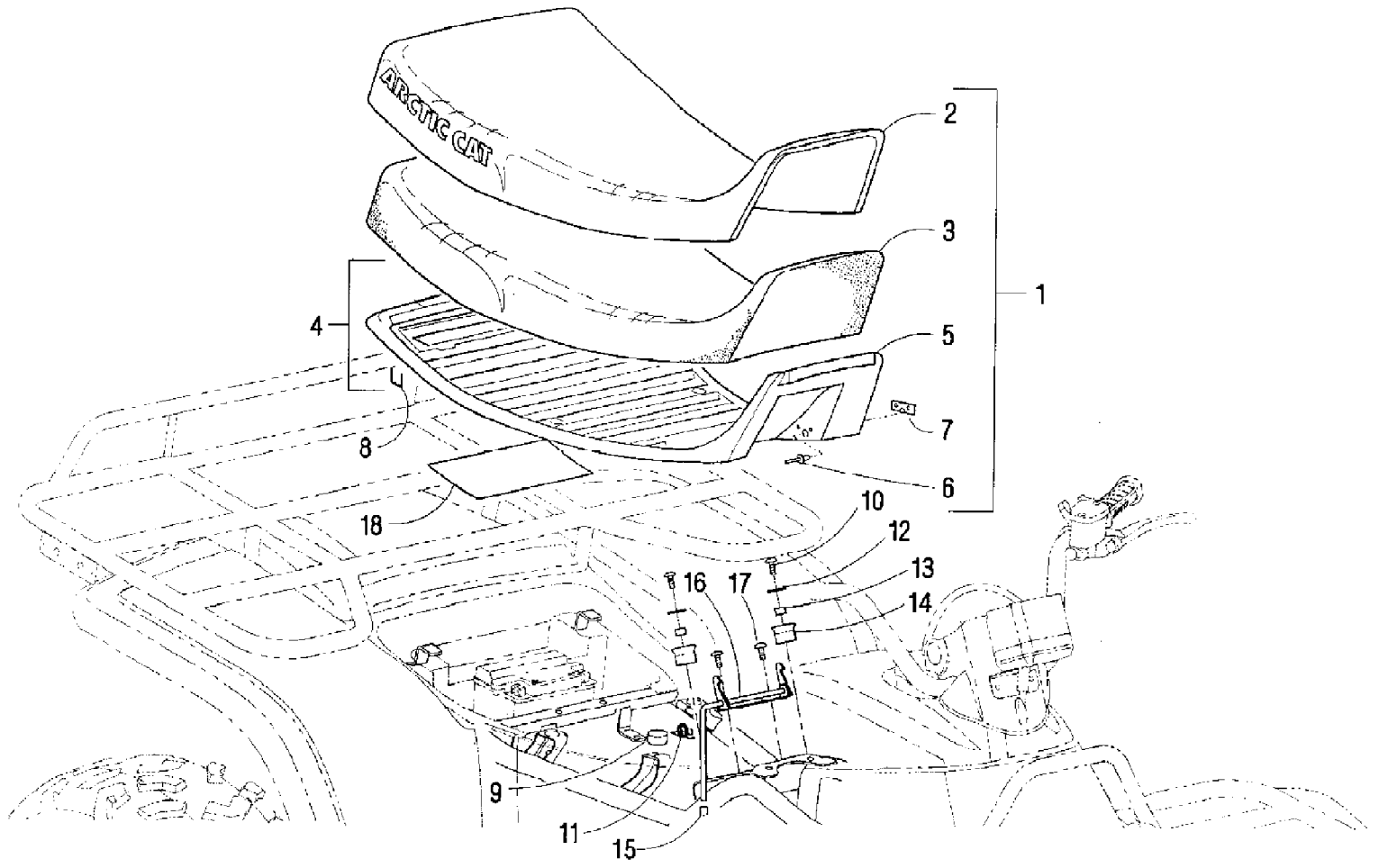
Ref #	Part Number	Qty	S/P/F	Description
1	3445-003	1		Starter, Recoil - Assembly (inc. 2-12)
2	3445-004	1		Reel
3	3445-016	1		Ratchet Assembly (inc. 4 and 6-10)
4	0	1	F	Pin, Ratchet
5	3445-007	1		Spring, Spiral
6	0	1	F	Spring, Friction
7	0	1	F	Shaft
8	0	1	F	Cover, Spring
9	0	1	F	Plate, Friction
10	0	1	F	Guide, Ratchet
11	3004-488	1	S/P	Nut
12	3445-011	1		Rope Assembly
13	3445-013	1	/P	Gasket
14	3423-112	4	S	Screw, Cap
15	3445-015	1		Cup, Starter (400)
15	3445-026	1	S	Cup, Starter (500)
16	3004-491	1	S/P	Nut
17	3423-053	1	/P	O-Ring

2001 400 4X4 GREEN (A2001ATI4AUSG) (ATV 400/500 CC MANUAL TRANSMISSION) of 99
REVERSE SHIFT LEVER ASSEMBLY



2001 400 4X4 GREEN (A2001ATI4AUSG) (ATV 400/500 CC MANUAL TRANSMISSION) of 99
 REVERSE SHIFT LEVER ASSEMBLY

Ref #	Part Number	Qty	S/P/F	Description
1	0402-239	1		Axle, Reverse Shift
2	8476-620	1		Screw, Cap
3	3446-055	1		Arm, Reverse Shift
4	0502-219	1	S	Lever, Reverse (400)
5	0423-096	2		O-Ring
6	0423-063	2		E-Ring
7	0402-802	1	/P	Spring, Reverse Lever
8	0409-008	1		Reverse Switch
9	0402-168	1	/P	Retainer, Switch
10	0402-062	1		Handle, Reverse Shift Lever (400)
11	3423-168	1	S	E-Ring
12	0487-003	1		Cable, Shift
13	0402-508	1		Handle, Lever - Shift (500)
14	0402-782	1		Cap, Shift Lever (500)
15	8477-610	1		Screw, Machine (500)
16	0502-212	1	S	Lever, Reverse (500)

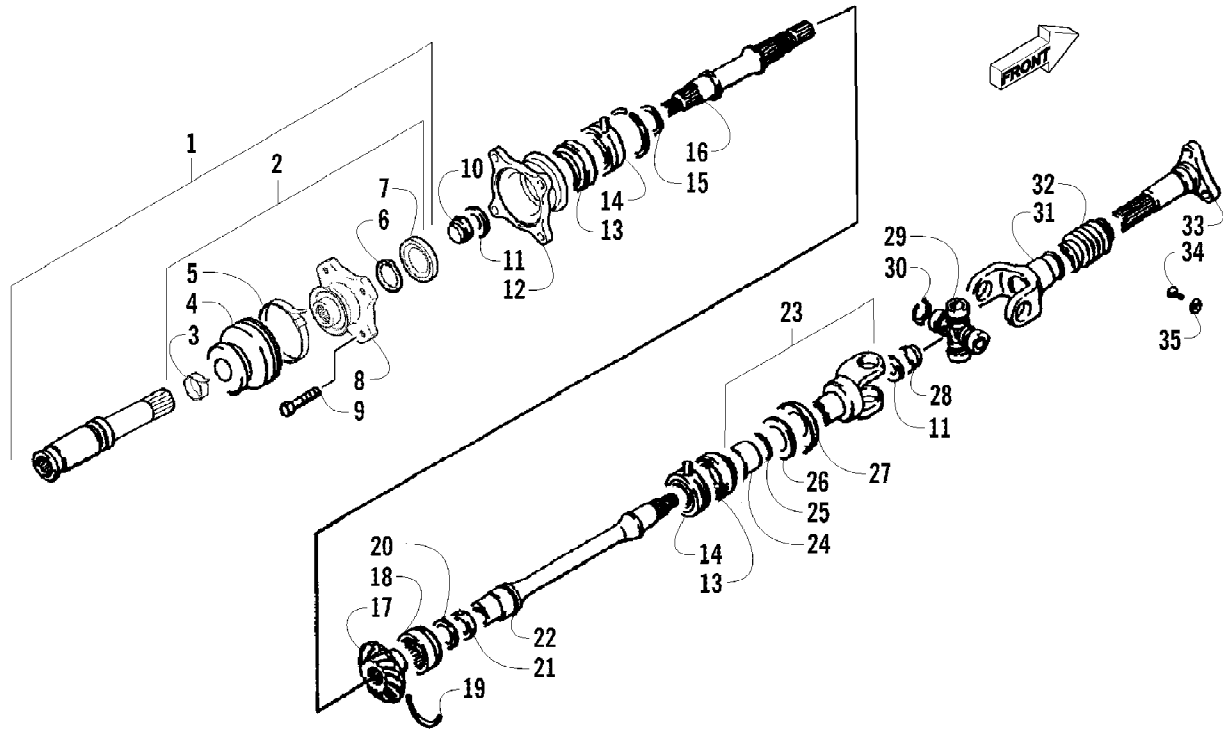


2001 400 4X4 GREEN (A2001ATI4AUSG) (ATV 400/500 CC MANUAL TRANSMISSION) of 99
 SEAT ASSEMBLY

Page 10 of 11

Ref #	Part Number	Qty	S/P/F	Description
1	5990-176	1	/P	Seat Assembly (inc. 2-8)
2	0506-290	1		Cover, Seat
3	0506-291	1		Foam, Seat
4	0506-223	1	/P	Base, Seat Assembly (inc. 5-7)
5	0	1	F	Base, Seat
6	8061-628	4		Rivet
7	0506-147	2	S	Pin, Seat-Base - Front
8	0624-100	AR		Staple
9	0406-309	2		Grommet, Seat - Center
10	8476-620	2		Screw, Cap
11	0406-235	1		Spring, Seat Latch
12	8050-217	2	/P	Washer
13	0406-199	2		Collar, Front Seat-Base
14	0406-171	2		Bumper, Seat-Base - Front
15	0623-404	1		Cap, Protector
16	0406-103	1	S	Latch, Seat - Assembly
17	8477-616	2		Screw, Machine (2X4)
17	8476-616	2		Screw, Machine (4X4)
18	0411-182	1		Decal, Cold Start

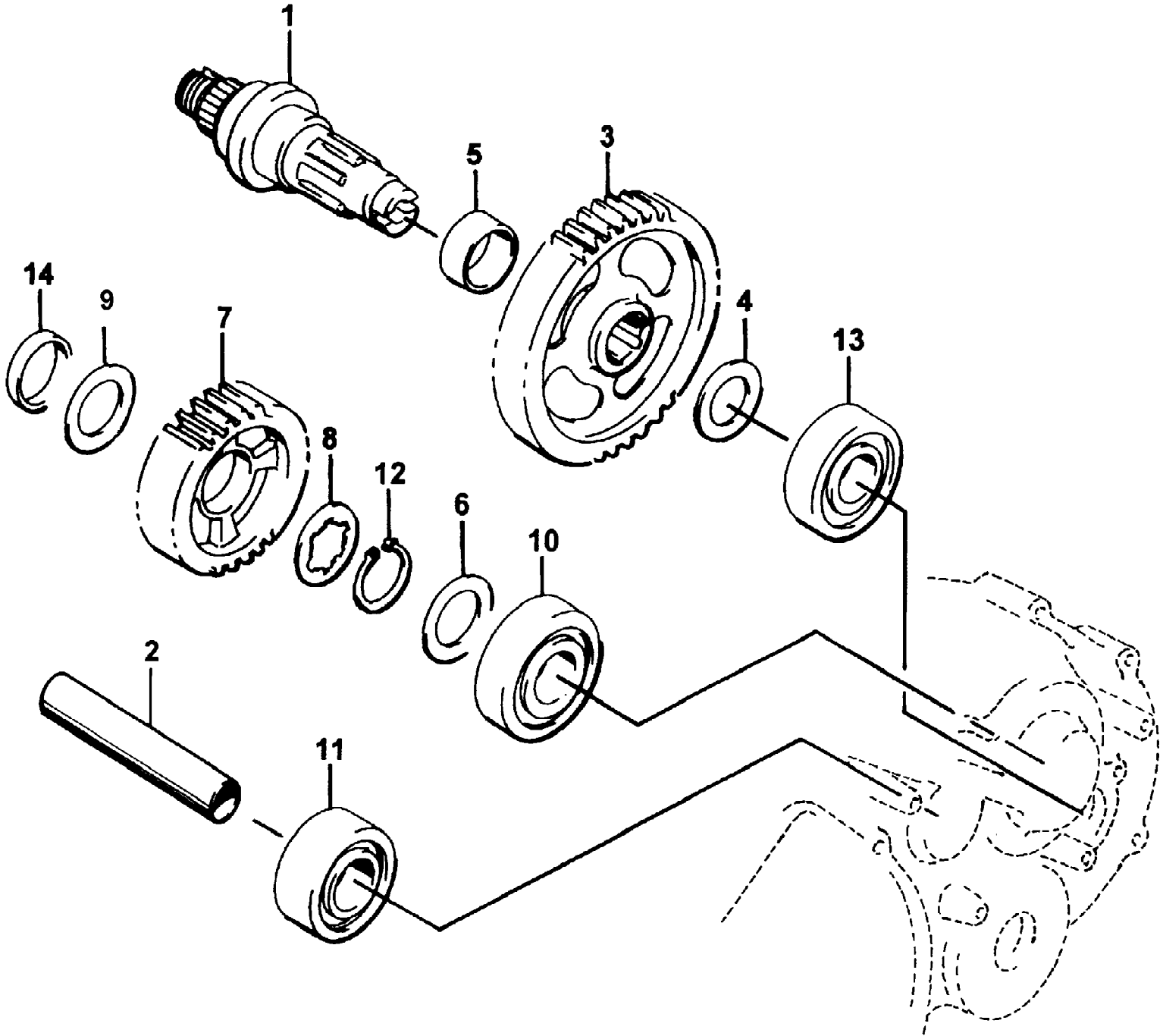
2001 400 4X4 GREEN (A2001ATI4AUSG) (ATV 400/500 CC MANUAL TRANSMISSION) of 99
SECONDARY DRIVE ASSEMBLY



2001 400 4X4 GREEN (A2001ATI4AUSG) (ATV 400/500 CC MANUAL TRANSMISSION) Page 17 of 99
SECONDARY DRIVE ASSEMBLY

Ref #	Part Number	Qty	S/P/F	Description
1	3435-010	1		Joint Assembly, Rear Output (inc. 2-8)
2	3435-066	1		Boot, Joint - Set (inc. 3-7)
3	3423-212	1		Band
4	3435-067	1		Boot
5	3423-211	1		Band
6	3423-210	1		Ring, Snap
7	3423-356	1		Seal, Plate
8	0	1	F	Flange, Output
9	8408-820	4	/P	Screw, Cap
10	3423-025	1		Nut
11	3423-028	2		Washer
12	3435-003	1	S	Flange, Output Joint
13	3402-072	2		Seal, Oil
14	3402-067	2	S	Bearing w/ Locating Ring and Pin
15	3402-017	1		Shim - 0.60 mm
15	3402-018	1		Shim - 0.65 mm
15	3402-019	1		Shim - 0.70 mm
15	3402-020	1		Shim - 0.75 mm
15	3402-021	1	S	Shim - 0.80 mm
15	3402-022	1		Shim - 0.85 mm
15	3402-023	1		Shim - 0.90 mm
15	3402-024	1		Shim - 0.95 mm
15	3402-025	1	S	Shim - 1.00 mm
15	3402-028	1		Shim - 1.05 mm
15	3402-029	1		Shim - 1.10 mm
15	3402-030	1		Shim - 1.15 mm
15	3402-031	1		Shim - 1.20 mm
16	3446-240	1	S	Shaft - Rear
17	3446-222	1	/P	Gear
18	3402-062	1	S	Bearing w/Groove
19	3423-072	1		Ring, Bearing
20	3423-137	1		Washer
21	3423-136	1		Nut
22	3446-239	1		Shaft - Front
23	3435-001	1	S	Yoke, Drive Output (inc. 24-27)
24	3435-029	1		Collar, Yoke
25	3423-060	1		O-Ring
26	3435-030	1		Plate, Yoke Collar
27	3423-035	1		Plate, Yoke Collar
28	3423-025	1		Nut
29	3435-011	1		Joint Set, Universal (inc. 30)
30	3423-067	4		Circlip
31	3435-002	1		Yoke, Joint
32	3402-518	1	S	Boot, Propeller Shaft
33	0502-226	1		Shaft, Propeller
34	3004-552	1	S	Screw, Cap
35	3423-135	2		Retainer

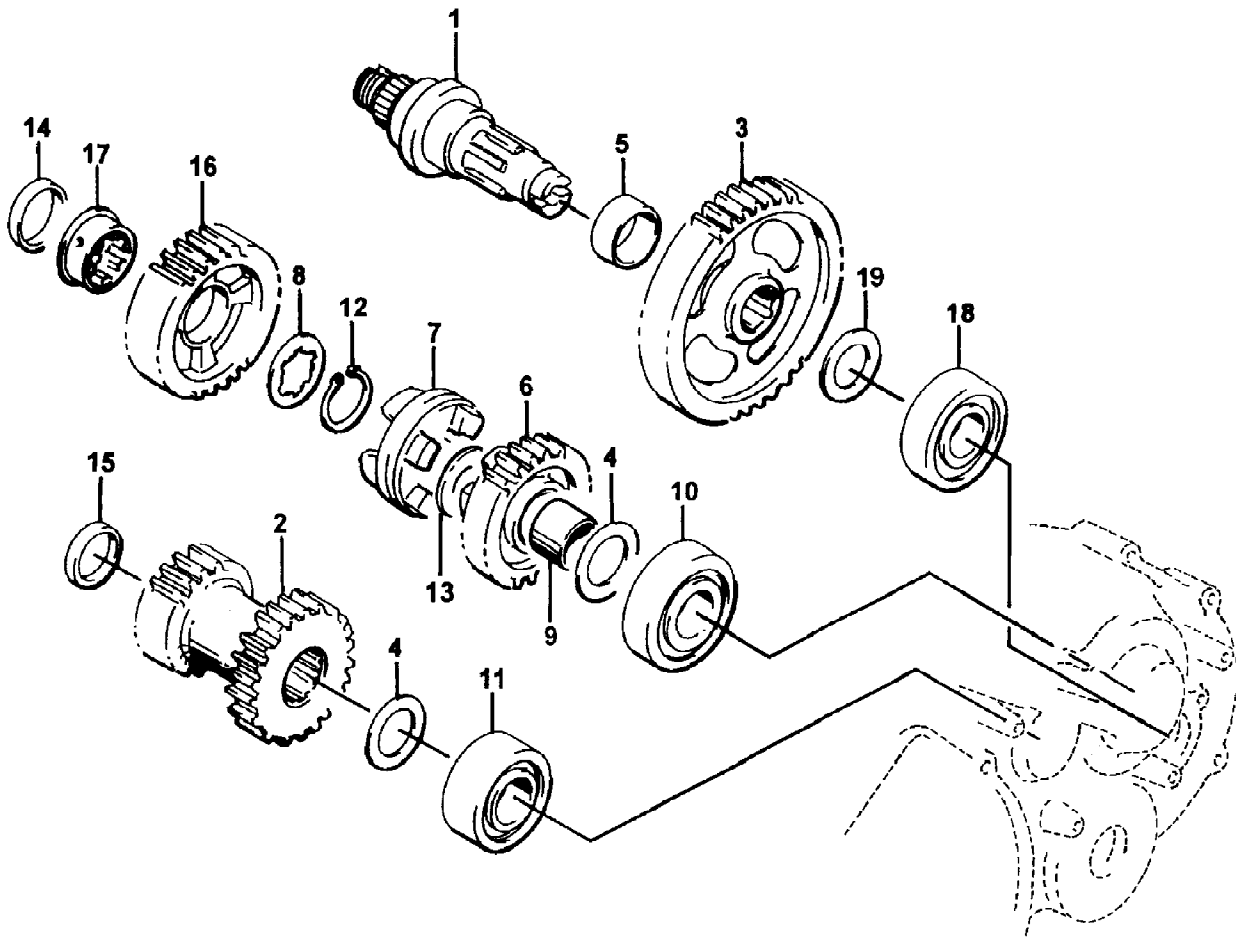
2001 400 4X4 GREEN (A2001ATI4AUSG) (ATV 400/500 CC MANUAL TRANSMISSION) of 99
SECONDARY TRANSMISSION ASSEMBLY (2X4)



2001 400 4X4 GREEN (A2001ATI4AUSG) (ATV 400/500 CC MANUAL TRANSMISSION) Page 71 of 99
 SECONDARY TRANSMISSION ASSEMBLY (2X4)

Ref #	Part Number	Qty	S/P/F	Description
1	3446-224	1	S	Shaft, Output
2	3446-109	1		Spacer, Idle Gear
3	3446-072	1		Gear, Driven
4	3423-150	1	/P	Washer
5	3402-015	1		Spacer, Drive
6	3402-194	1		Washer
7	3446-110	1		Gear, Drive (No. 1)
8	3423-036	1		Washer
9	3423-209	1		Washer
10	3402-046	1		Bearing, Driveshaft - Left
11	3402-047	1	S	Bearing, Center Shaft - Left
12	3423-066	1	/P	Circlip
13	3402-045	1	/P	Bearing
14	3446-068	1		Spacer

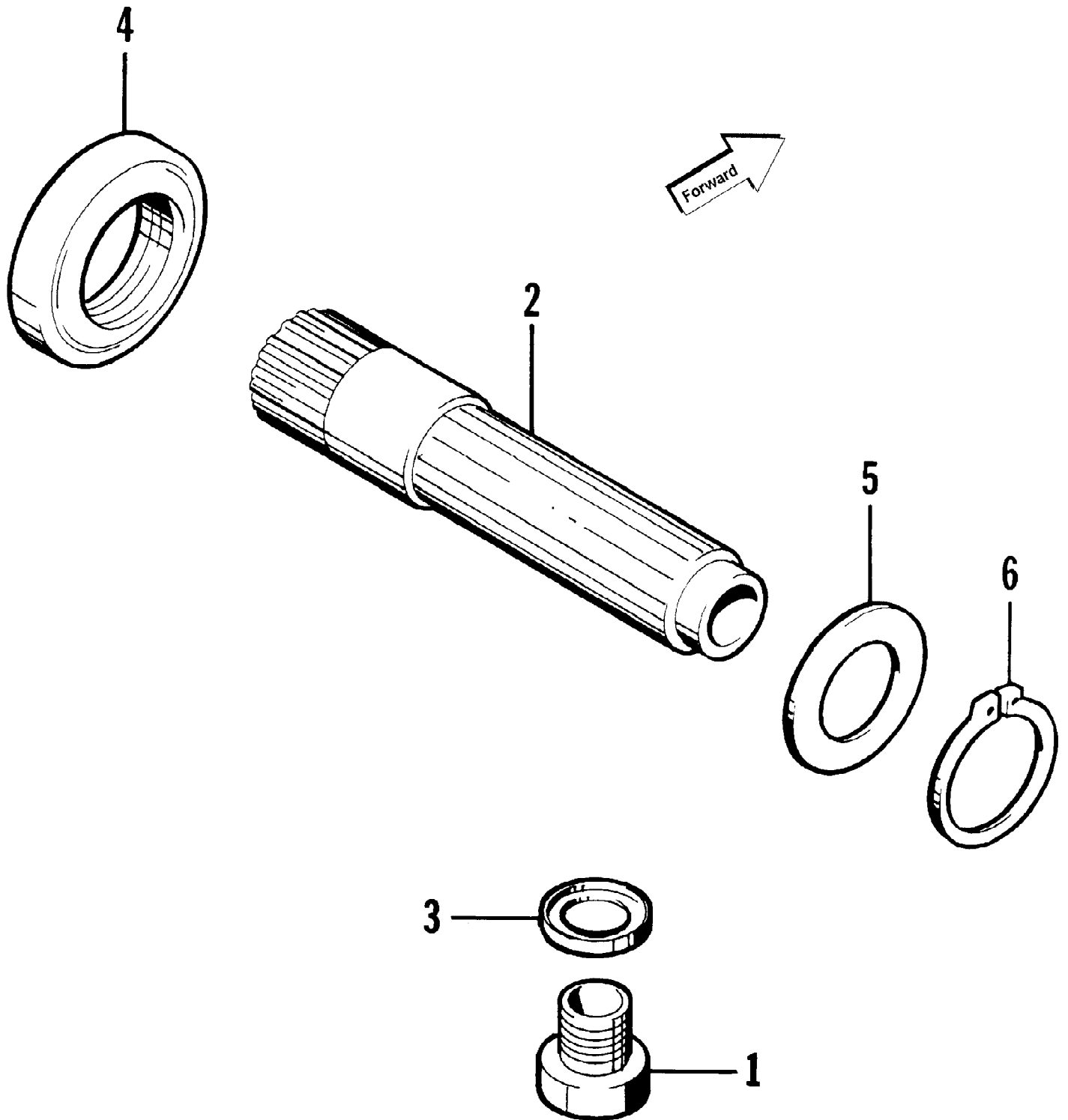
2001 400 4X4 GREEN (A2001ATI4AUSG) (ATV 400/500 CC MANUAL TRANSMISSION) of 99
SECONDARY TRANSMISSION ASSEMBLY (4X4)



2001 400 4X4 GREEN (A2001ATI4AUSG) (ATV 400/500 CC MANUAL TRANSMISSION) Page 17 of 99
 SECONDARY TRANSMISSION ASSEMBLY (4X4)

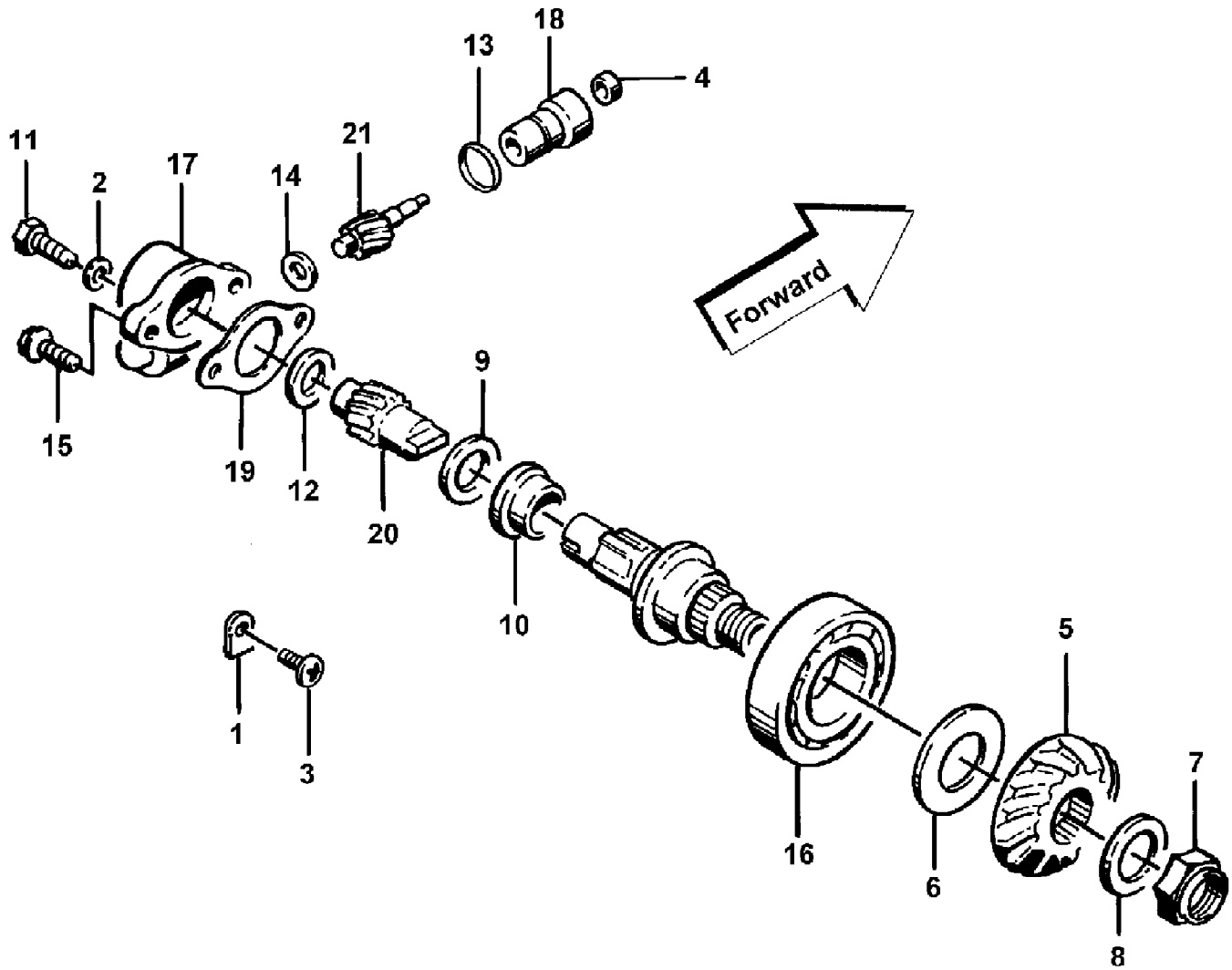
Ref #	Part Number	Qty	S/P/F	Description
1	3446-262	1	/P	Shaft, Output
2	3446-066	1		Gear, Idle
3	3446-072	1		Gear, Driven
4	3423-150	2	/P	Washer (400)
4	3402-391	2	S	Washer (500)
5	3402-015	1		Spacer, Drive
6	3446-070	1		Gear No. 2 (400)
6	3446-248	1		Gear No. 2 (500)
7	3446-108	1		Dog, Select Sliding (400)
7	3446-249	1		Dog, Select Sliding (500)
8	3423-036	1		Washer
9	3446-103	1		Bushing
10	3402-046	1		Bearing, Driveshaft - Left
11	3402-047	1	S	Bearing, Center Shaft - Left
12	3423-066	1	/P	Circlip No. 1
13	3423-126	1	/P	Washer, Gear No. 2 (400)
13	3402-195	1		Washer, Gear No. 2 (500)
14	3446-068	1		Spacer (400)
14	3446-246	1		Spacer (500)
15	3423-148	1		Spacer, Idle Gear
16	3446-067	1		Gear No. 1 (400)
16	3446-245	1		Gear No. 1 (500)
17	3446-069	1	S	Bushing (400)
17	3446-247	1		Bushing (500)
18	3402-045	1	/P	Bearing Set - Left
19	3423-150	1	/P	Washer

2001 400 4X4 GREEN (A2001ATI4AUSG) (ATV 400/500 CC MANUAL TRANSMISSION) of 99
SHIFTER ASSEMBLY (2X4)



2001 400 4X4 GREEN (A2001ATI4AUSG) (ATV 400/500 CC MANUAL TRANSMISSION) of 99
SHIFTER ASSEMBLY (2X4)

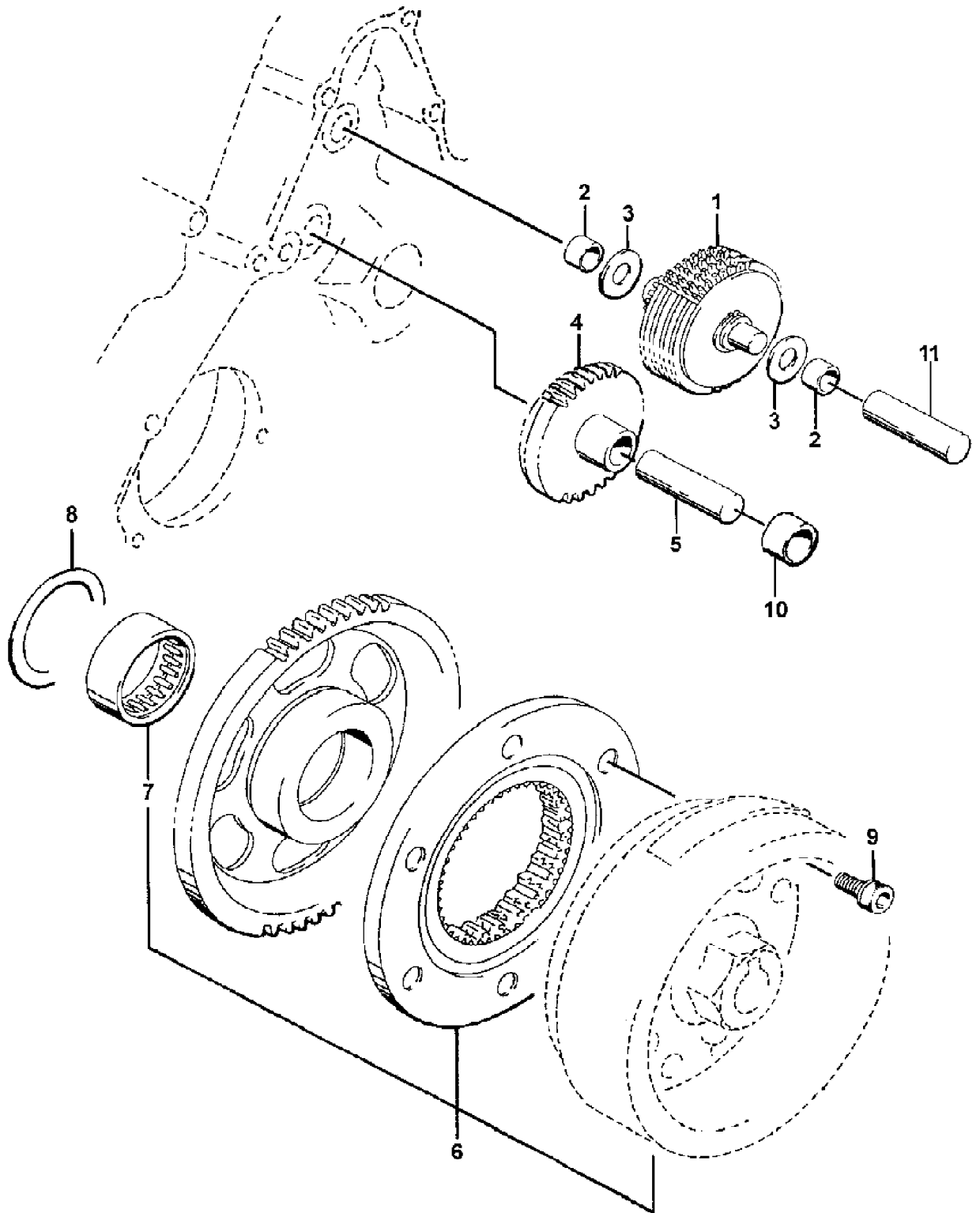
Ref #	Part Number	Qty	S/P/F	Description
1	3446-046	1		Plug, Oil
2	3446-225	1		Guide, Gear Shift Shaft
3	3402-012	1		Gasket, Oil Plug
4	3402-071	1	/P	Seal, Oil
5	3005-167	1		Washer, Thrust
6	3423-193	1	S/P	Circlip



2001 400 4X4 GREEN (A2001ATI4AUSG) (ATV 400/500 CC MANUAL TRANSMISSION) of 99
 SPEEDOMETER DRIVE ASSEMBLY (4X4)

Page 7 of 99

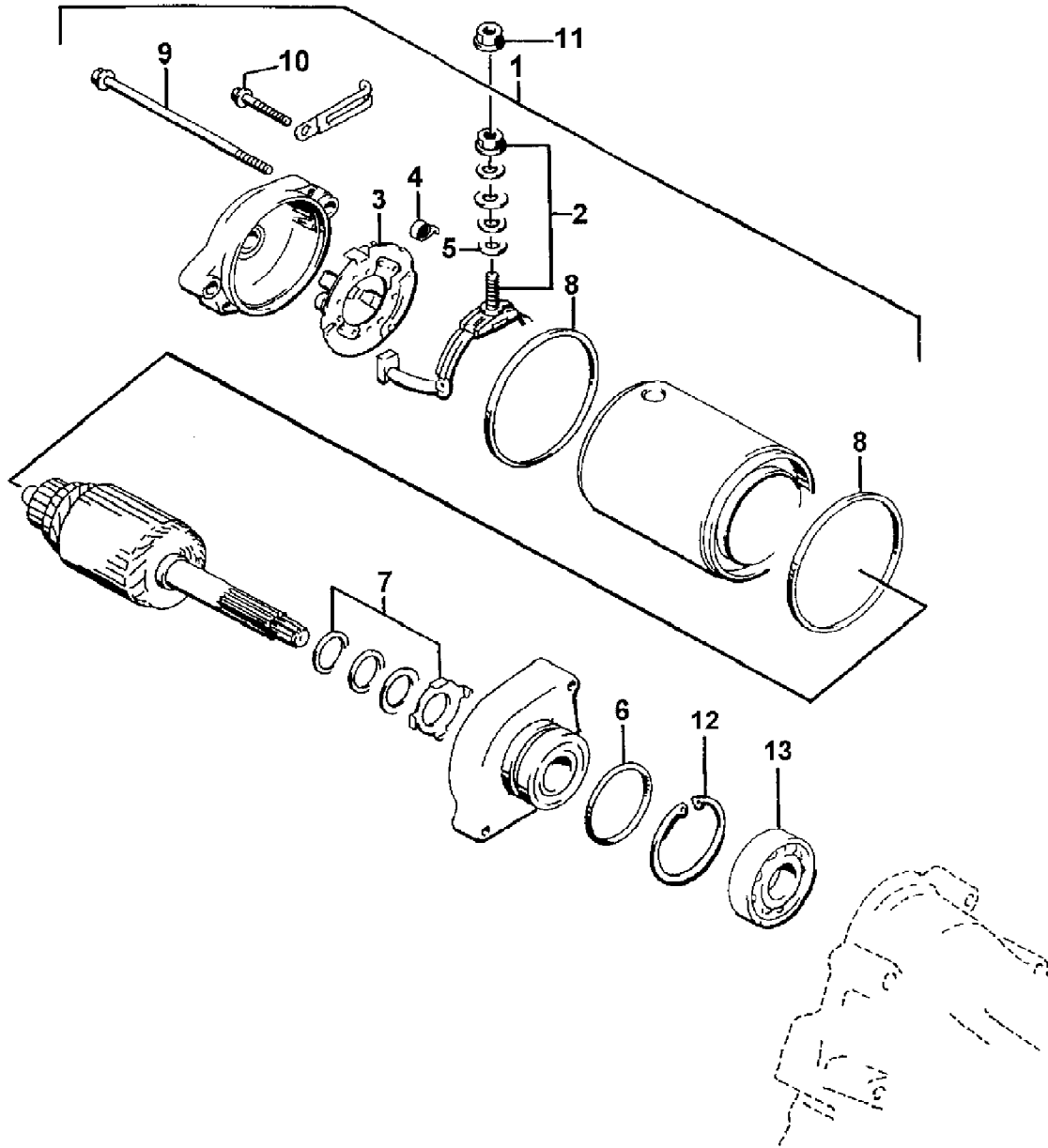
Ref #	Part Number	Qty	S/P/F	Description
1	3446-031	2	/P	Retainer, Bearing
2	3402-009	1	/P	Washer, Drive
3	3004-552	2	S	Screw, Retainer
4	3402-077	1		Seal, Driven Gear
5	3446-221	1	S	Gear
6	3446-035	1		Shim Set
7	3423-023	1		Nut
8	3423-032	1		Washer
9	3423-146	1		Washer - Right
10	3446-114	1	/P	Spacer, Drive Gear
11	3423-143	1	S	Bolt, Gear
12	3423-145	1		Washer
13	3423-056	1		O-Ring
14	3423-144	1		Washer
15	3423-346	2	S	Bolt, Housing
16	3402-180	1	S	Bearing Set - Right
17	3446-057	1		Housing, Speedometer Gear
18	3446-058	1		Sleeve
19	3446-244	1	/P	Gasket
20	3446-060	1		Gear, Drive
21	3446-061	1		Gear, Driven



2001 400 4X4 GREEN (A2001ATI4AUSG) (ATV 400/500 CC MANUAL TRANSMISSION) of 99
 STARTER CLUTCH ASSEMBLY

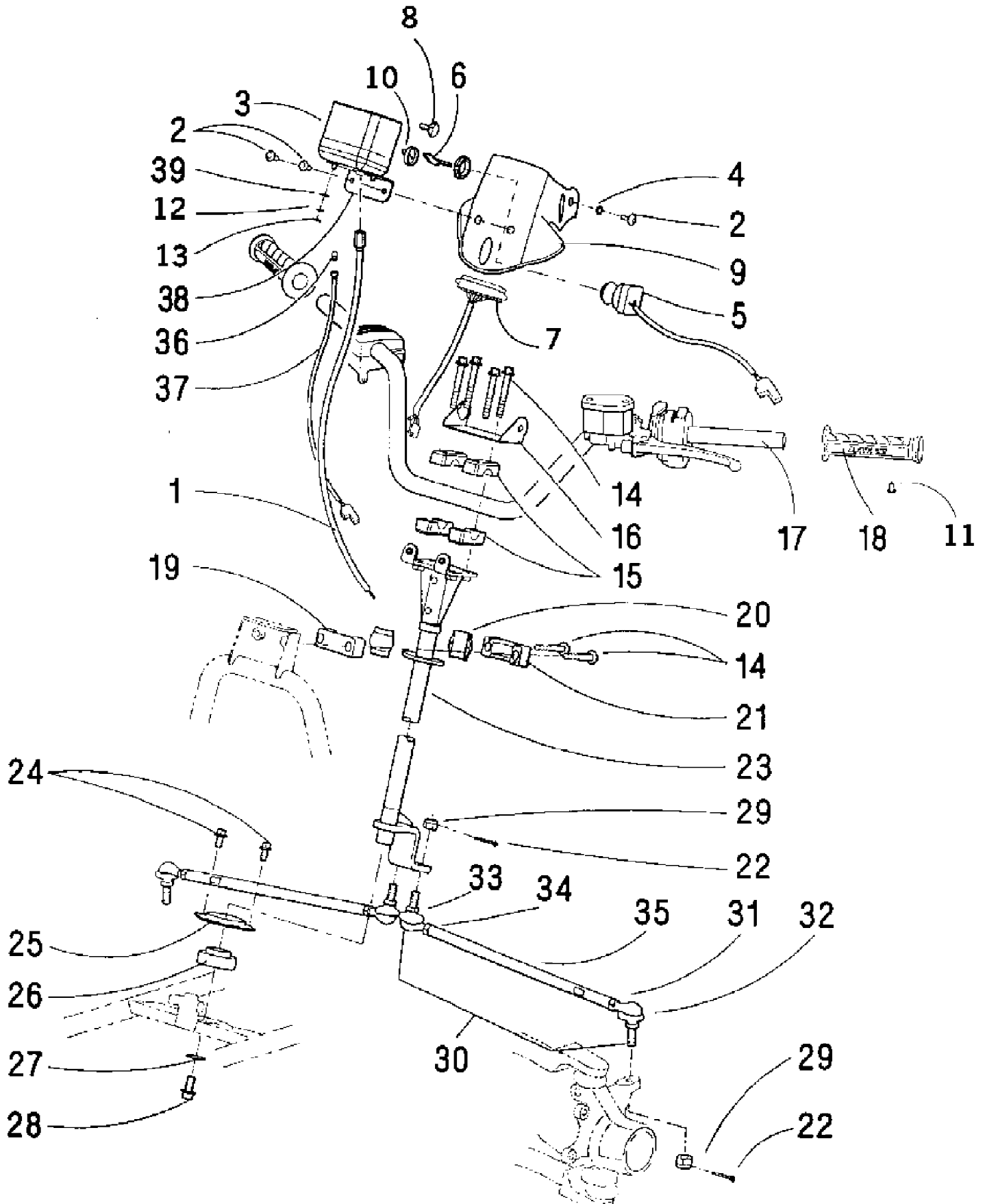
Ref #	Part Number	Qty	S/P/F	Description
1	3402-344	1	S	Gear, Starter - Idle No.1 (400)
1	3402-123	1		Limiter, Idle Gear - Assembly (500)
2	3402-125	2		Bushing (500)
3	3423-103	2	/P	Washer (500)
4	3402-124	1		Gear, Starter Idle No. 2 (400)
4	3402-349	1		Gear, Starter Idle (500)
5	3423-042	1		Pin
6	3402-122	1	S	Clutch, Starter - Set (inc. 7) (2X4)
6	3402-380	1	/P	Clutch, Starter - Set (inc. 7)
7	3402-063	1		Bearing
8	3423-104	1		Washer
9	3423-102	6	S	Screw, Cap
10	3423-352	1		Spacer (500)
11	3423-331	1		Pin (400)

2001 400 4X4 GREEN (A2001ATI4AUSG) (ATV 400/500 CC MANUAL TRANSMISSION) of 99
STARTER MOTOR ASSEMBLY



2001 400 4X4 GREEN (A2001ATI4AUSG) (ATV 400/500 CC MANUAL TRANSMISSION)
 STARTER MOTOR ASSEMBLY Page 81 of 99

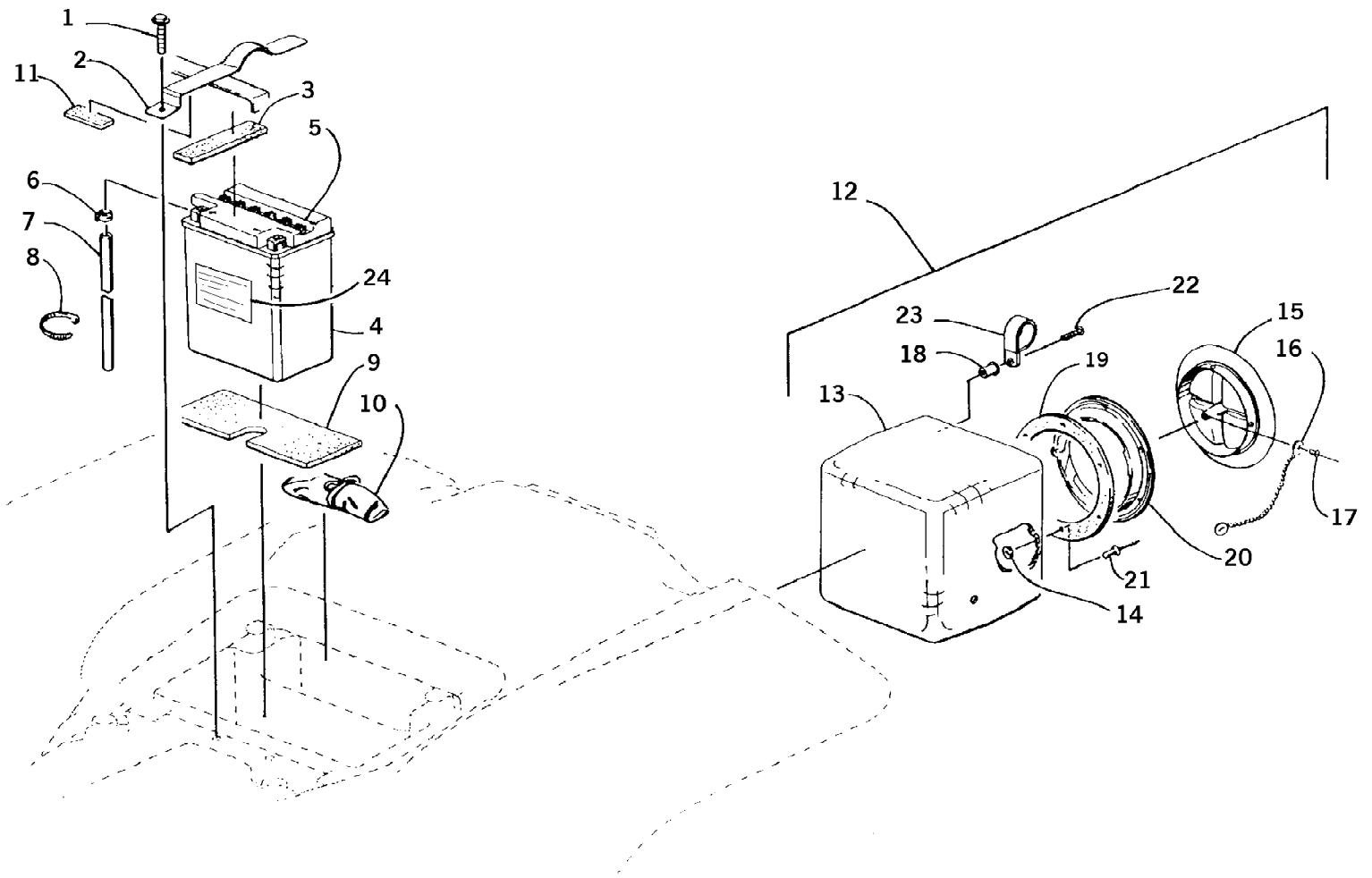
Ref #	Part Number	Qty	S/P/F	Description
1	3545-012	1	S	Motor, Starter Assembly (inc. 2-9) (400)
1	3545-014	1	/P	Motor, Starter Assembly (inc. 2-9) (500)
2	3008-094	1	/P	Terminal Set, Brush
3	3008-095	1	/P	Holder Set, Brush
4	3008-096	4		Spring, Brush
5	3008-164	1		O-Ring
6	3423-084	1		O-Ring
7	3436-001	1		Washer Set
8	3008-553	2	/P	O-Ring
9	3423-085	2		Screw, Cap
10	3423-162	2	S	Screw, Cap
11	3423-195	1	/P	Nut
12	3423-201	1	/P	Circlip
13	3402-043	1	/P	Bearing, Pinion Shaft



2001 400 4X4 GREEN (A2001ATI4AUSG) (ATV 400/500 CC MANUAL TRANSMISSION) Page 99 of 99
STEERING ASSEMBLY

Ref #	Part Number	Qty	S/P/F	Description
1	0487-005	1		Cable, Speedometer (4X4)
2	8477-616	3		Screw, Machine
3	0420-031	1	/P	Speedometer (inc. 36-41) (4X4)
4	0423-052	1		Collar, Body
5	3430-040	1		Switch, Ignition - Assembly (inc. 6)
6	3409-007	1	/P	Key, Ignition - Blank (C Series)
6	3409-011	1		Key, Ignition - Blank (D Series)
6	3409-012	1		Key, Ignition - Blank (E Series)
6	3409-013	1		Key, Ignition - Blank (F Series)
7	0420-022	1	S	Panel, LED (400 4x4/500)
7	0420-029	1	S	Panel, LED (400 2x4)
8	0420-027	1		Knob, Speedometer Trip
9	0405-063	1		Instrument Pod
10	0409-013	1		Cover, Key
11	8060-428	2		Rivet
12	0420-017	2		Washer (4X4)
13	0420-015	2		Pin, Retainer (4X4)
14	8408-860	6		Screw, Cap
15	0405-035	4		Cap, Steering Adjuster
16	0506-348	1	/P	Bracket, Ignition Switch
17	0505-028	1	S	Tube, Handlebar
18	0405-039	2	/P	Grip, Handlebar
19	0605-171	1		Housing, Bearing - Lower
20	0405-020	2		Bearing, Steering Post
21	0605-147	1	S	Housing, Bearing - Upper
22	0623-175	4		Pin, Cotter
23	0505-073	1	S	Post, Steering
24	8408-816	2		Screw, Cap
25	0602-233	1		Flange, Bearing
26	0405-052	1		Bearing w/Inverted Oil Seal
27	0423-073	1		Washer
28	8409-020	1	/P	Screw, Cap
29	0423-157	4		Nut, Top Lock
30	0505-072	2	/P	Tie Rod, Assembly (inc. 31-35)
31	8420-002	2	/P	Nut - Right
32	0405-082	2	S	Ball Joint, Tie Rod - Right
33	0405-083	2	S	Ball Joint, Tie Rod - Left
34	0423-013	2		Nut - Left
35	0405-032	2		Tie Rod
36	0420-019	1	S	Bulb, Speedometer
37	0420-014	1		Harness, Speedometer (4X4)
38	0420-018	1		Bracket, Speedometer (4X4)
39	0420-016	2		Mount, Rubber (4X4)

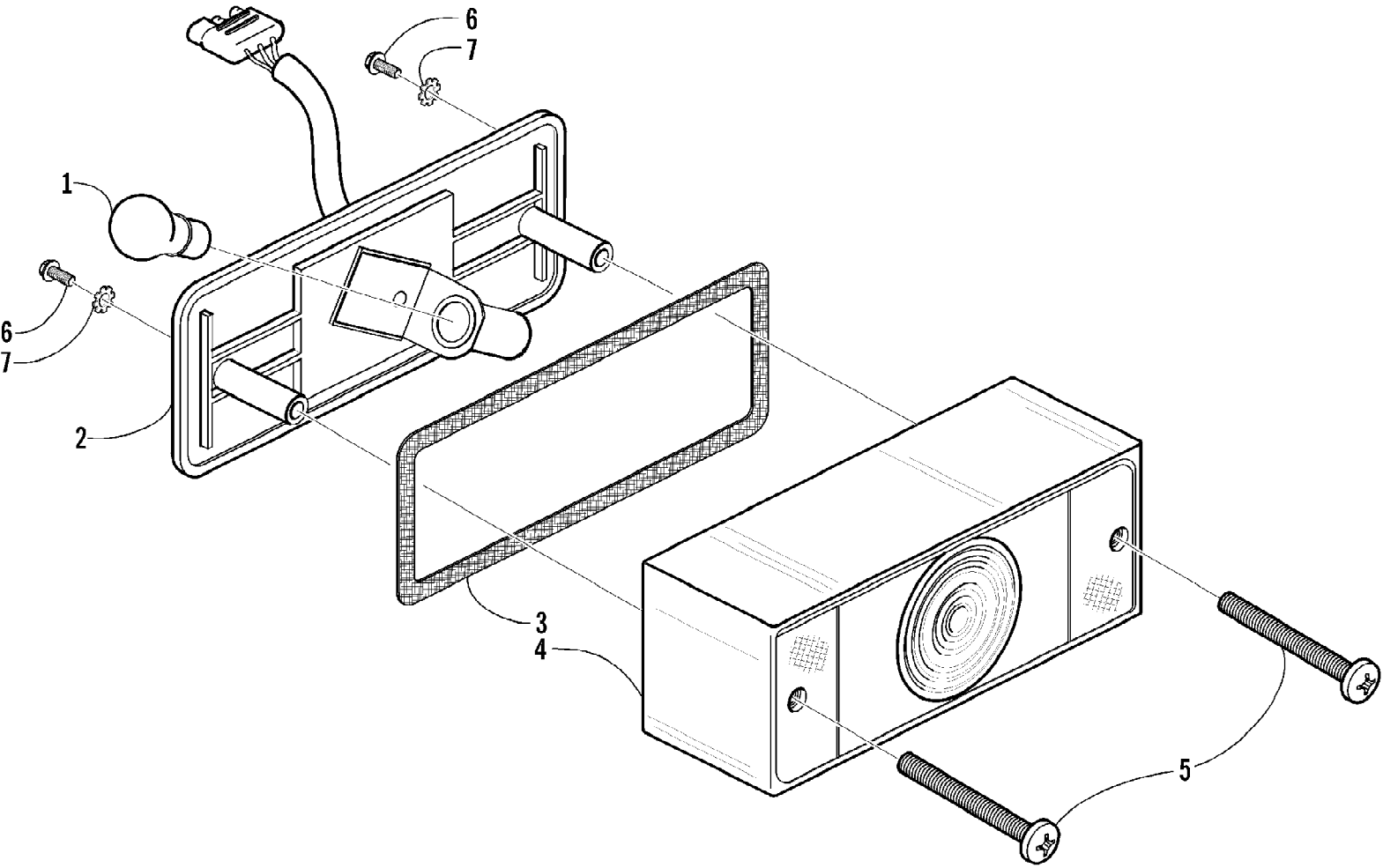
2001 400 4X4 GREEN (A2001ATI4AUSG) (ATV 400/500 CC MANUAL TRANSMISSION) of 99
STORAGE BOX AND BATTERY ASSEMBLY



2001 400 4X4 GREEN (A2001ATI4AUSG) (ATV 400/500 CC MANUAL TRANSMISSION) of 99
STORAGE BOX AND BATTERY ASSEMBLY

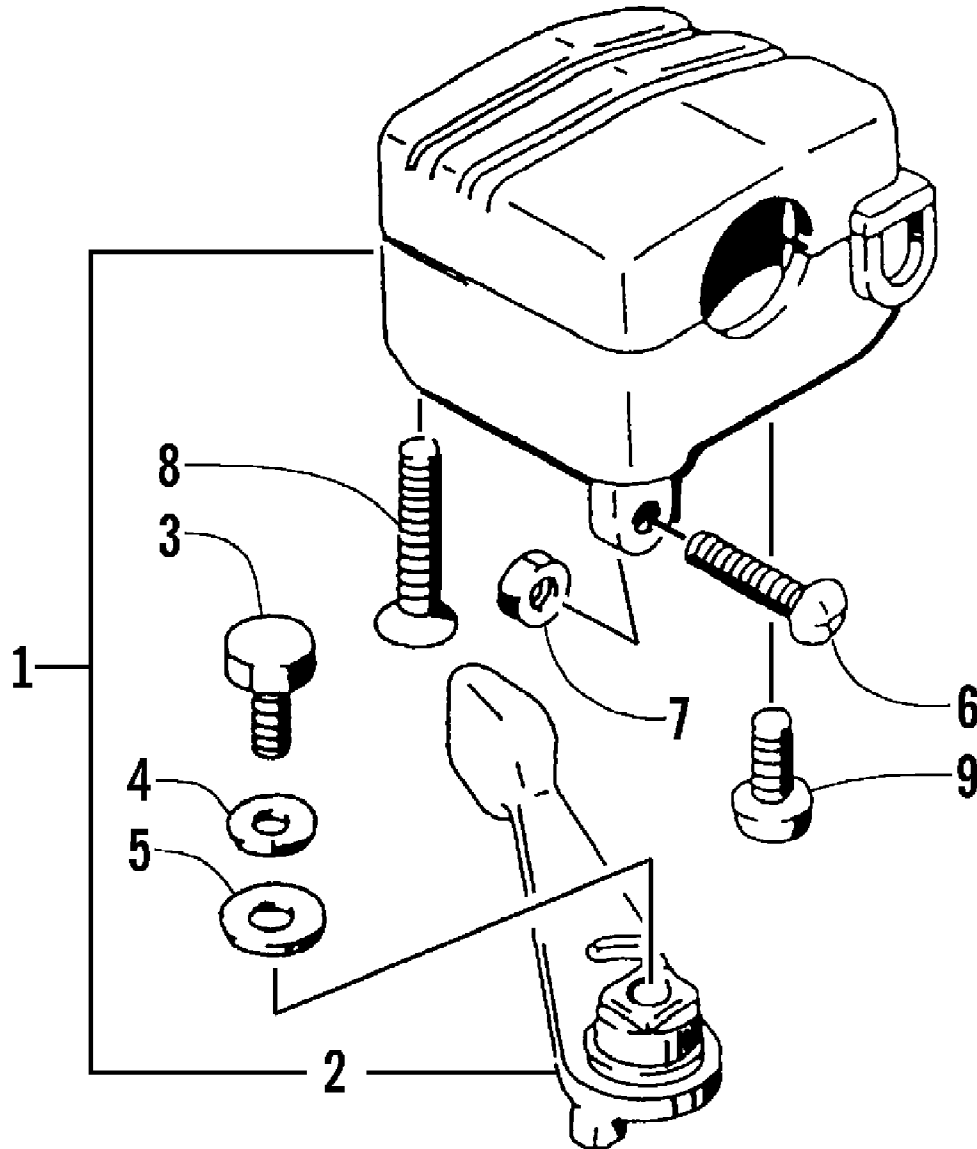
Ref #	Part Number	Qty	S/P/F	Description
1	8476-616	1		Screw, Machine
2	0506-178	1		Strap, Battery w/Pads (inc. 3 and 11)
3	0406-289	1		Pad, Battery - Upper Rear
4	0445-005	1	S	Battery Assembly (inc. 5-7)
5	0645-045	6		Cap, Battery
6	0645-152	1		Clamp, Hose
7	0645-263	1	/P	Hose, Battery Vent
8	0123-903	1		Cable Tie - 11.5 in.
9	0406-227	1		Pad, Battery - Lower
10	0444-079	1	S/P	Kit, Tool
11	0406-288	1		Pad, Battery - Upper Front
12	0506-102	1	/P	Storage Box - Assembly (inc. 13-21) (4X4)
13	0406-257	1	S	Box, Tool (4X4)
14	8050-152	6		Washer (4X4)
15	0406-208	1		Lid, Tool Box (4X4)
16	0773-401	1		Chain, Storage (4X4)
17	8061-223	2	/P	Rivet (4X4)
18	0123-010	4	/P	Nut, Expansion (4X4)
19	0673-973	1		Seal, Storage Cover (4X4)
20	0406-205	1	/P	Ring, Mounting - Storage Box Lid (4X4)
21	8060-630	6		Rivet (4X4)
22	0623-301	4	/P	Screw, Self-Tapping
23	0423-044	4		Clamp, Tube (4X4)
24	0645-151	1		Decal, Warning - Battery

2001 400 4X4 GREEN (A2001ATI4AUSG) (ATV 400/500 CC MANUAL TRANSMISSION) Page 99
TAILLIGHT ASSEMBLY



2001 400 4X4 GREEN (A2001ATI4AUSG) (ATV 400/500 CC MANUAL TRANSMISSION) Page 99 of 99
 TAILLIGHT ASSEMBLY

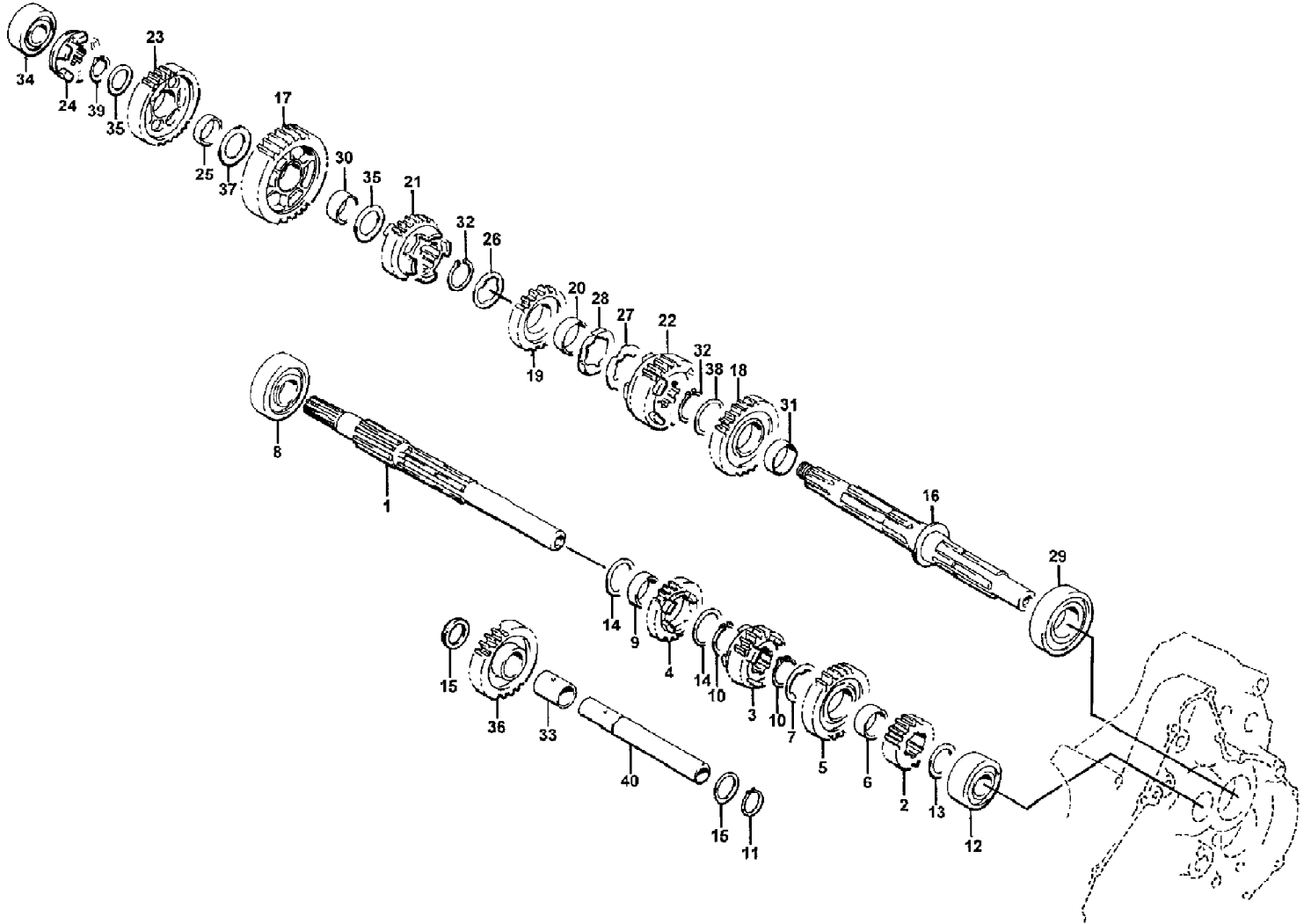
Ref #	Part Number	Qty	S/P/F	Description
	0409-002	1		Complete Taillight Assembly
1	0109-460	1	/P	Bulb, Stop/Taillight
2	0409-011	1		Taillight w/Socket Assembly
3	0409-012	1		Gasket, Taillight Lens
4	0409-007	1		Lens, Taillight
5	0409-010	2		Screw, Machine
6	0623-301	2	/P	Screw, Self-Tapping
7	8053-212	2	/P	Washer, Lock - External Tooth



2001 400 4X4 GREEN (A2001ATI4AUSG) (ATV 400/500 CC MANUAL TRANSMISSION) of 99
 THROTTLE CONTROL ASSEMBLY

Ref #	Part Number	Qty	S/P/F	Description
1	3509-003	1	/P	Control, Throttle - Assembly (inc. 2-9)
2	3409-001	1		Lever
3	3004-533	1	S/P	Screw, Cap
4	3004-447	1	/P	Washer, Lock
5	3003-030	1	/P	Washer
6	3423-014	1		Screw
7	3423-327	1		Nut
8	3423-199	2		Screw
9	3004-638	1	/P	Screw

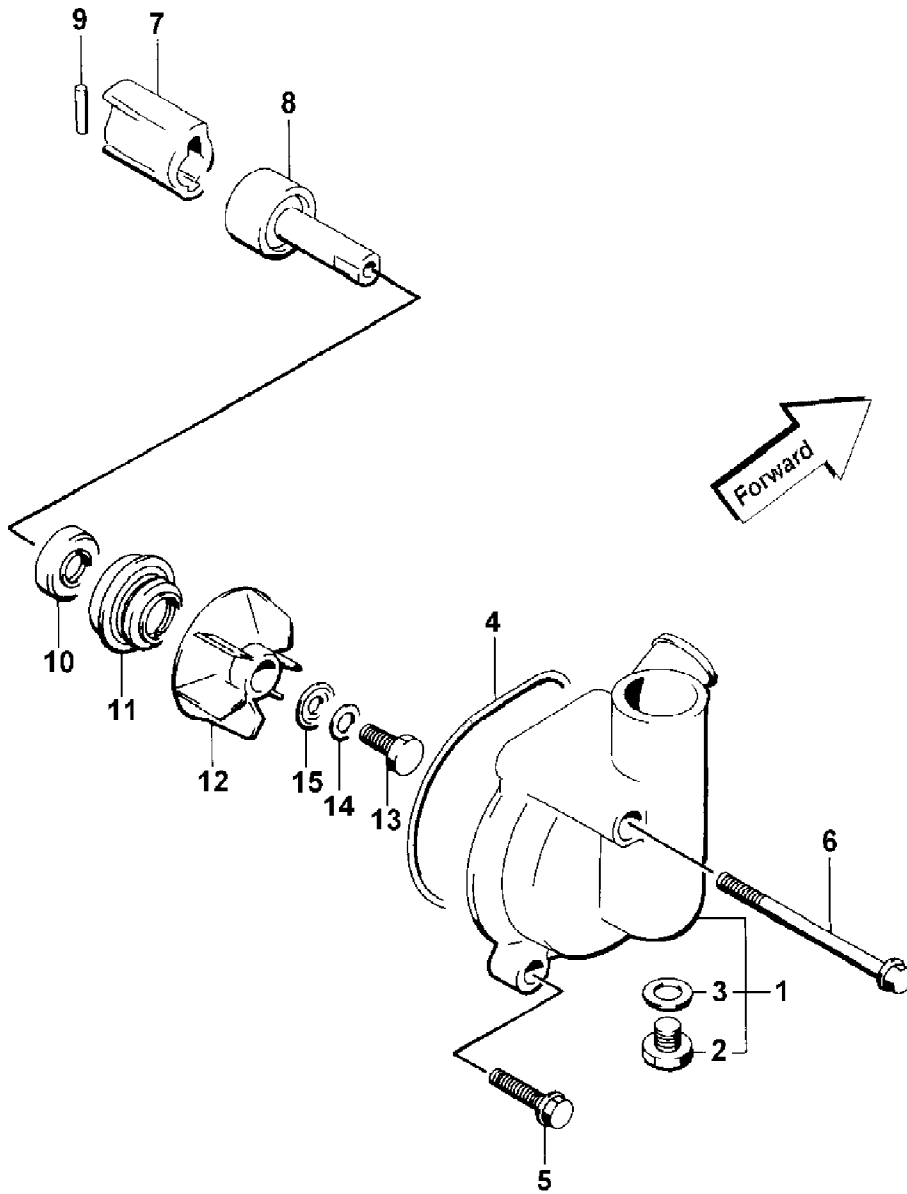
2001 400 4X4 GREEN (A2001ATI4AUSG) (ATV 400/500 CC MANUAL TRANSMISSION) Page 92 of 99
TRANSMISSION ASSEMBLY



2001 400 4X4 GREEN (A2001ATI4AUSG) (ATV 400/500 CC MANUAL TRANSMISSION) Page 99 of 99
TRANSMISSION ASSEMBLY

Ref #	Part Number	Qty	S/P/F	Description
1	3446-014	1		Countershaft
2	3446-016	1		Gear, 2nd Drive
3	3446-215	1		Gear, 3rd Drive
4	3446-018	1		Gear, 4th Drive
5	3446-216	1		Gear, 5th Drive
6	3446-020	1		Bushing, 5th Drive Gear
7	3423-037	1		Washer, 5th Drive Gear
8	3402-050	1		Bearing, Center Shaft - Right
9	3402-081	1		Bushing, 4th Drive Gear
10	3423-066	2	/P	Circlip, 4th Drive
11	3423-190	1	S	Circlip, Reverse Idle
12	3402-179	1		Bearing, Center Shaft
13	3402-195	1		Shim
14	3423-187	2	/P	Washer, 4th Drive
15	3423-126	2	/P	Washer, Reverse Idle
16	3446-015	1		Driveshaft (400)
16	3446-234	1		Driveshaft (500)
17	3446-217	1	S	Gear, 1st Driven (400)
17	3446-235	1	/P	Gear, 1st Driven (500)
18	3446-022	1		Gear, 2nd Driven
19	3446-218	1		Gear, 3rd Driven
20	3446-024	1		Bushing, 3rd Driven
21	3446-219	1	/P	Gear, 4th Driven
22	3446-220	1		Gear, 5th Driven
23	3446-029	1		Gear, Reverse Driven
24	3446-030	1		Dog, Reverse
25	3446-032	1		Bushing, Reverse Driven
26	3423-038	1		Washer, 3rd Driven - Right
27	3423-039	1		Washer, 3rd Driven - Left
28	3423-040	1		Washer, 3rd Driven - Left
29	3402-336	1		Bearing, Driveshaft
30	3402-080	1	S	Bushing, 1st Driven
31	3402-082	1		Bushing, 2nd Driven
32	3423-188	2	S	Circlip, 2nd Driven
33	3446-238	1		Bushing, Reverse Idle
34	3003-320	1	/P	Bearing, Driveshaft - Right
35	3402-335	2		Washer, Reverse Driven
36	3446-237	1		Gear, Reverse Idle
37	3423-131	1		Washer, 1st Driven - Right
38	3003-605	1	/P	Washer, 2nd Driven (400)
38	3402-383	1		Washer, 2nd Driven (500)
39	3423-189	1	S	Circlip, Reverse Driven
40	3446-236	1		Shaft, Reverse Idle

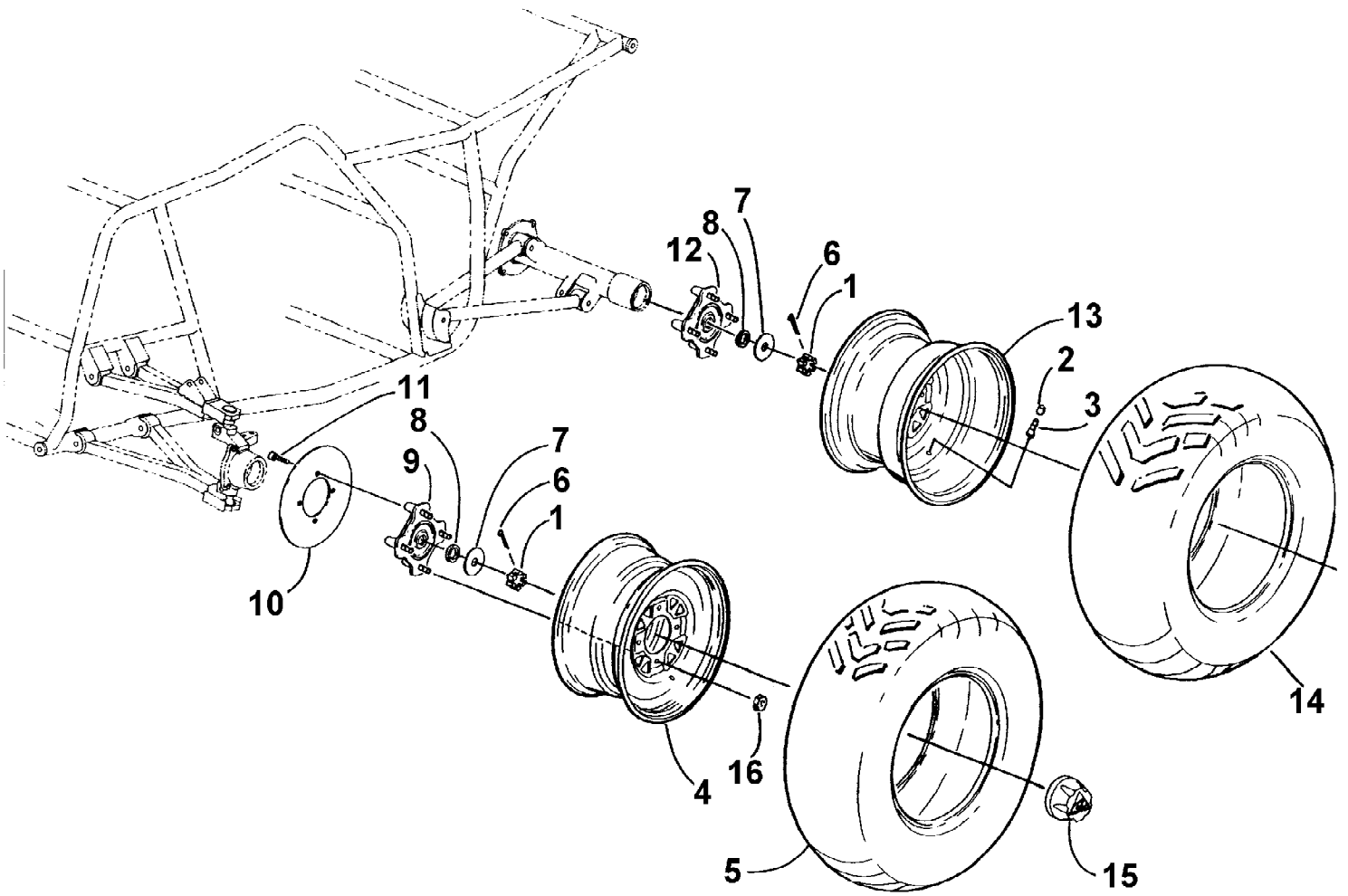
2001 400 4X4 GREEN (A2001ATI4AUSG) (ATV 400/500 CC MANUAL TRANSMISSION) of 99
WATER PUMP ASSEMBLY



2001 400 4X4 GREEN (A2001ATI4AUSG) (ATV 400/500 CC MANUAL TRANSMISSION) Page 95 of 99
 WATER PUMP ASSEMBLY

Ref #	Part Number	Qty	S/P/F	Description
1	3402-159	1	S	Case, Water Pump (inc. 2-3) (400)
1	3402-354	1	/P	Case, Water Pump (inc. 2-3) (500)
2	3423-185	1		Screw, Cap (400)
2	3423-343	1		Screw, Cap (500)
3	3003-188	1	S/P	Gasket
4	3423-078	1		O-Ring
5	3004-507	2	S	Screw, Cap
6	3423-119	1	S	Screw, Cap
7	3413-010	1	S/P	Joint, Pump Drive (400)
7	3413-011	1	/P	Joint, Pump Drive (500)
8	3413-002	1		Shaft, Water Pump w/Bearing
9	3423-046	1		Pin
10	3003-356	1		Seal, Pump Drive
11	3402-360	1	S	Seal, Mechanical
12	3413-001	1		Impeller
13	3003-426	1		Screw, Cap
14	3003-431	1	/P	Washer
15	3003-432	1		Gasket

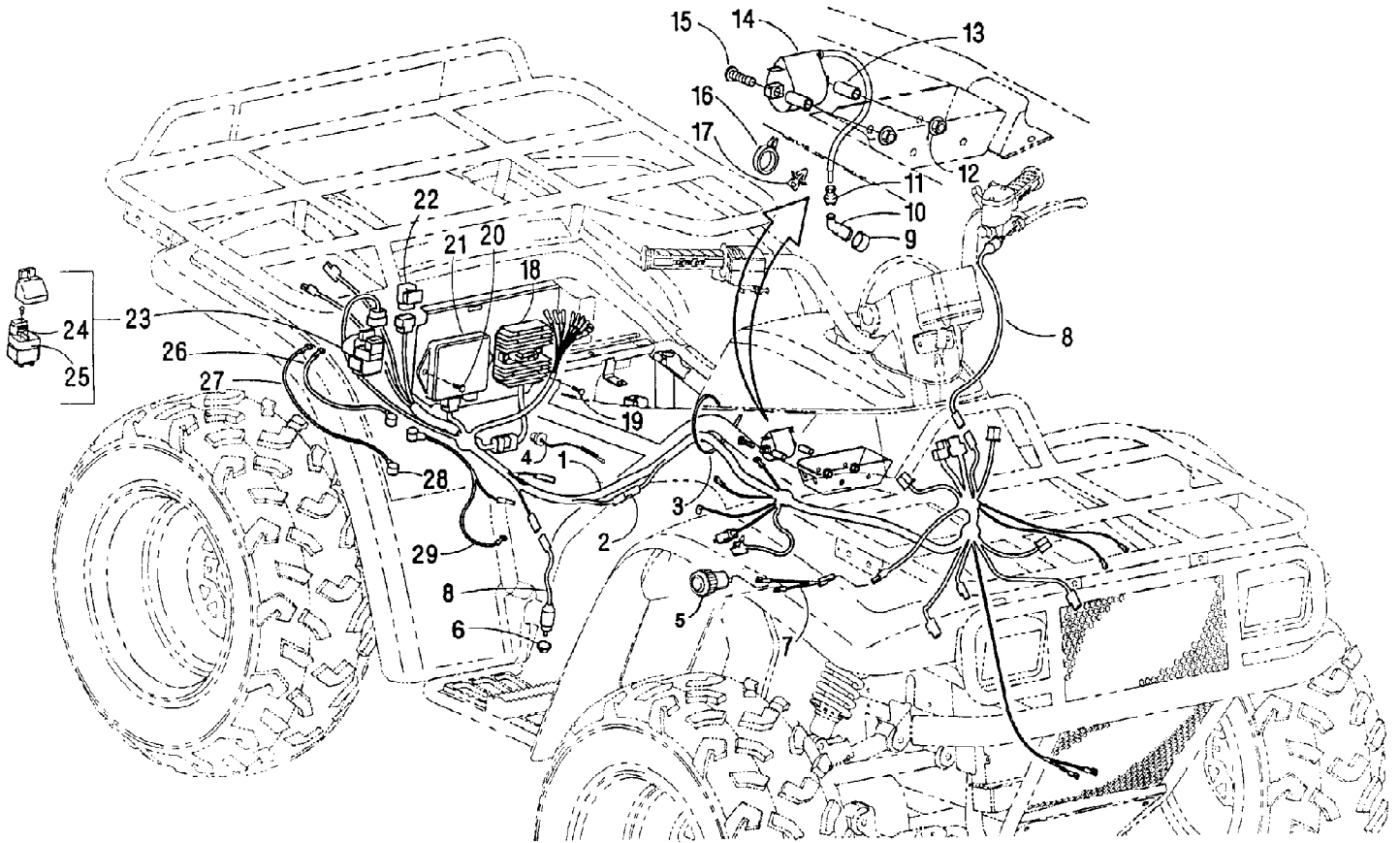
2001 400 4X4 GREEN (A2001ATI4AUSG) (ATV 400/500 CC MANUAL TRANSMISSION) of 99
WHEEL AND TIRE ASSEMBLY



2001 400 4X4 GREEN (A2001ATI4AUSG) (ATV 400/500 CC MANUAL TRANSMISSION) of 99
 WHEEL AND TIRE ASSEMBLY

Ref #	Part Number	Qty	S/P/F	Description
1	3423-213	4		Nut, Hex
2	0402-140	4		Cap, Valve Stem
3	0402-064	4		Stem, Valve
4	0402-657	2		Wheel - Front
5	0402-318	2	/P	Tire - Front (400)
5	0402-319	2	/P	Tire - Front (500)
6	0123-458	4	/P	Pin, Cotter
7	0423-080	4		Washer
8	0402-181	4		Seal, Hub
9	0502-168	2	S	Hub, Wheel - Front (2X4)
9	0502-166	2	S	Hub, Wheel - Front (4X4)
10	0402-482	3	S	Disc, Brake
11	0423-029	12		Screw, Machine
12	0	2	F	Hub, Wheel - Rear
13	0402-753	2		Wheel - Rear
14	0402-319	2	/P	Tire - Rear
15	0403-035	2	/P	Cap, Wheel - Center
16	0423-120	16		Nut, Mounting - Wheel

2001 400 4X4 GREEN (A2001ATI4AUSG) (ATV 400/500 CC MANUAL TRANSMISSION) of 99
WIRING HARNESS ASSEMBLY



2001 400 4X4 GREEN (A2001ATI4AUSG) (ATV 400/500 CC MANUAL TRANSMISSION) of 99
WIRING HARNESS ASSEMBLY

Ref #	Part Number	Qty	S/P/F	Description
1	0486-042	1		Harness, Main
1	0486-073	1		Harness, Main (Vehicle Identification Number S91T306171 and Up)
2	0486-029	1		Diode (Start in Gear)
3	0123-903	AR		Cable Tie - 11.5 in.
4	0586-003	1		Diode Assembly
5	0445-022	1	S	Receptacle, 12V (4X4)
6	0402-168	1	/P	Retainer, Switch
7	0486-004	1		Harness, 12V Receptacle (4X4)
8	0409-009	2		Switch, Brake - Assembly
9	3430-008	1	/P	Seal, Spark Plug
10	3430-007	1	/P	Cap, Spark Plug
11	3430-009	1	/P	Seal, High Tension Wire
12	8424-602	2	/P	Nut
13	0107-630	2		Spacer
14	3530-004	1	/P	Coil, Ignition - Assembly
15	8476-640	2		Screw, Cap
16	0423-075	3		Cable Tie - Push Mount
17	0423-065	1		Base, Cable Tie
18	0530-006	1		Regulator, Voltage
18	3530-028	1	S	Regulator, Voltage (Vehicle Identification Number S91T306171 and Up)
19	8476-625	2		Screw, Machine
20	8476-616	2		Screw, Machine
21	3530-003	1		CDI Unit
22	3530-008	1	S	Relay, Neutral Start - Assembly
23	3530-001	1	/P	Relay, Starter Motor - Assembly (inc. 25)
24	3423-020	2	/P	Screw, Cap
25	0630-098	1		Fuse, 30 Amp
26	0445-003	1	/P	Cable, Battery/Electric Start Relay
27	0445-004	1		Cable, Battery/Electric Start
28	0645-019	3		Boot, Terminal
29	0445-002	1		Cable, Battery/Ground