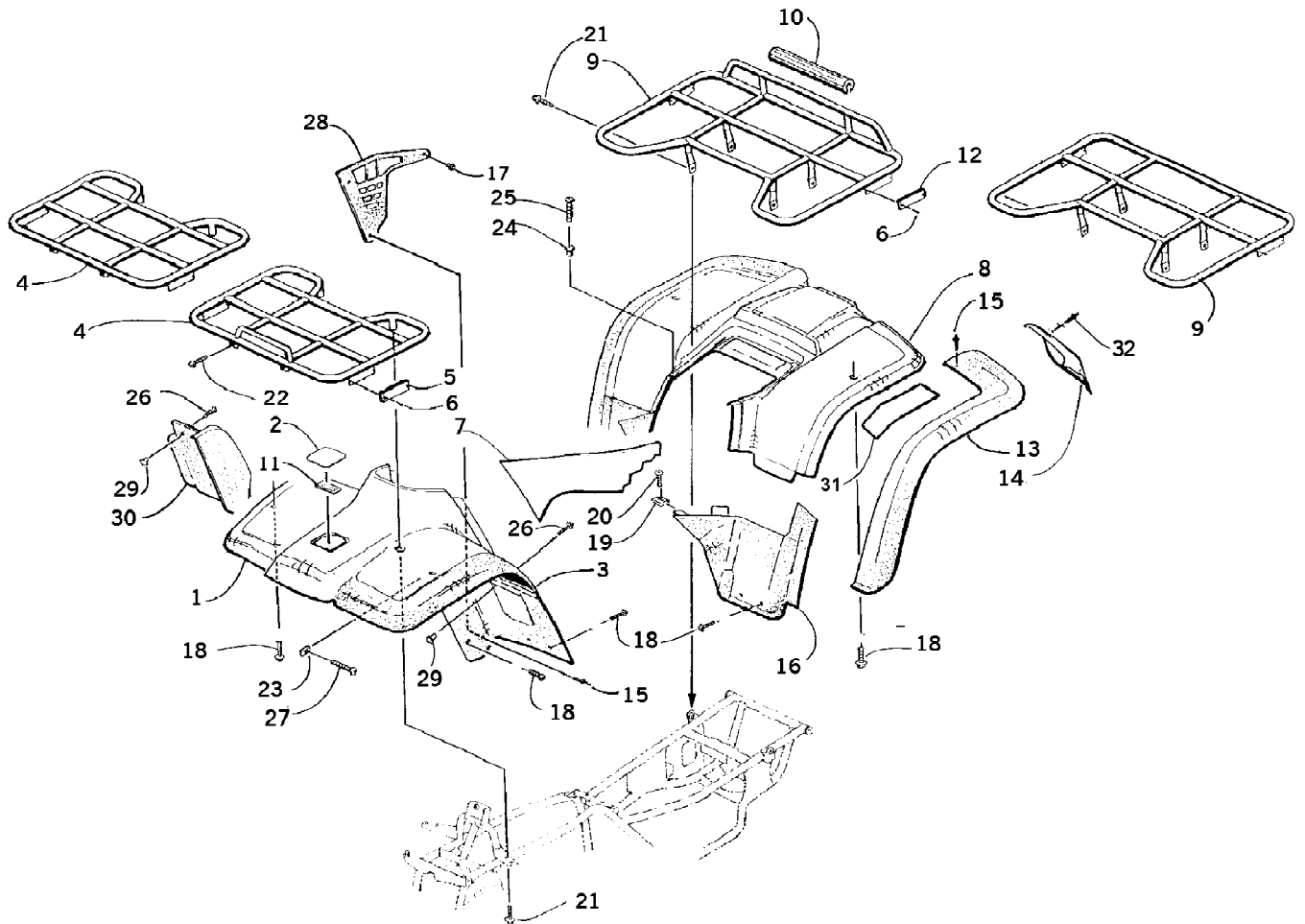


2001 300 2X4 RED (A2001ATF2AUSR) (ATV 250/300 CC)  
AIR INTAKE ASSEMBLY

Page 2 of 89

| Ref # | Part Number | Qty | S/P/F | Description                       |
|-------|-------------|-----|-------|-----------------------------------|
| 1     | 3570-001    | 1   | /P    | Intake, Air - Assembly (inc. 2-5) |
| 2     | 3402-330    | 1   |       | Slider, Retainer - Filter         |
| 3     | 0470-421    | 1   |       | Filter, Air Cleaner               |
| 4     | 3402-331    | 1   |       | Cap                               |
| 5     | 8477-610    | 2   |       | Screw, Cap                        |
| 6     | 3423-329    | 1   |       | Joint                             |
| 7     | 3423-311    | 2   |       | Clamp                             |
| 8     | 3423-313    | 5   |       | Clip                              |
| 9     | 0423-127    | 1   |       | Plug, Drain                       |
| 10    | 0470-349    | 1   | S     | Valve, Air Cleaner                |
| 11    | 0423-071    | 2   |       | Clamp                             |
| 12    | 3470-004    | 1   |       | Tube, Crankcase Breather          |
| 13    | 3402-236    | 1   | /P    | Clamp                             |
| 14    | 0470-347    | 1   |       | Boot, Air Cleaner                 |
| 15    | 3402-235    | 1   |       | Clamp                             |
| 16    | 0570-019    | 1   |       | Snorkel, Air Intake               |
| 17    | 8053-212    | 1   | /P    | Washer, Lock - External Tooth     |
| 18    | 0406-379    | 1   | /P    | Strap, Tool Kit                   |
| 19    | 0606-586    | 1   |       | Plug, Hole - Retaining Clip       |
| 20    | 0444-079    | 1   | S/P   | Kit, Tool                         |
| 21    | 8476-616    | 5   |       | Screw, Cap                        |
| 22    | 0423-128    | 1   |       | Spring, Vent Tube                 |
| 23    | 3402-334    | 1   |       | Plug, Breather                    |
| 24    | 3470-002    | 1   |       | Valve, Check                      |
| 25    | 3423-424    | 1   |       | Clip, Air Cleaner                 |



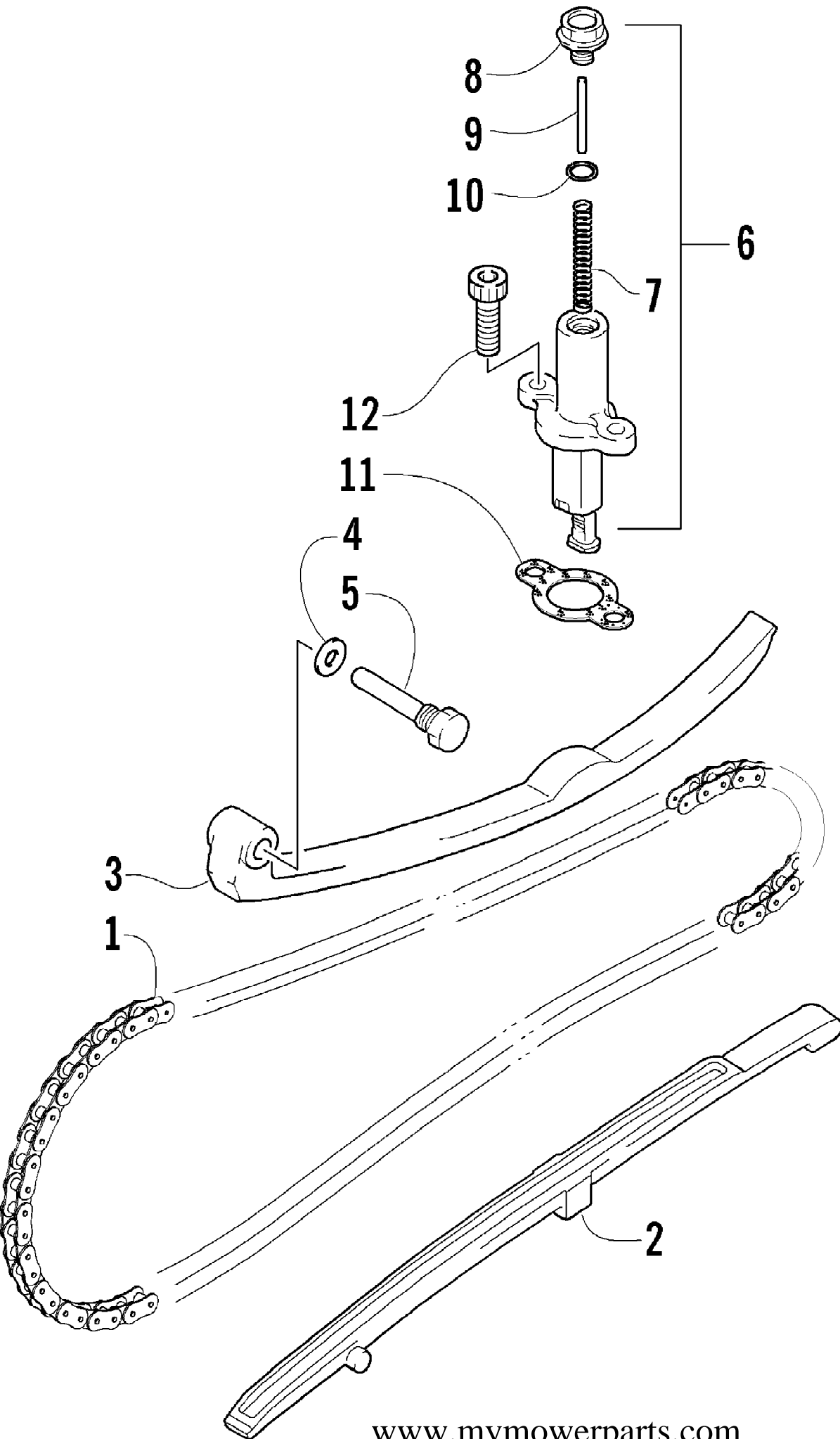
2001 300 2X4 RED (A2001ATF2AUSR) (ATV 250/300 CC)  
BODY PANEL ASSEMBLY

Page 4 of 89

| Ref # | Part Number | Qty | S/P/F | Description                                    |
|-------|-------------|-----|-------|--|
| 1     | 0506-239    | 1   |       | Panel, Fender - Front (Red)                    |
| 1     | 0506-365    | 1   |       | Panel, Fender - Front (Green)                  |
| 1     | 0506-257    | 1   |       | Panel, Fender - Front (300 4X4) (Red)          |
| 1     | 0506-303    | 1   |       | Panel, Fender - Front (300 4X4) (Green)        |
| 2     | 0506-153    | 1   | S     | Cover, Access (Red)                            |
| 2     | 0506-145    | 1   | S     | Cover, Access (Green)                          |
| 3     | 0506-403    | 1   |       | Flare - Front Right (300 4X4)                  |
| 3     | 0506-404    | 1   |       | Flare - Front Left (300 4X4)                   |
| 4     | 0506-411    | 1   |       | Rack - Front                                   |
| 4     | 0506-409    | 1   |       | Rack - Front (300 4X4)                         |
| 5     | 0606-526    | 2   |       | Reflector, Front - Yellow                      |
| 6     | 0623-269    | 8   |       | Clip, Retaining                                |
| 7     | 0506-480    | 1   |       | Panel, Side - Right (Red)                      |
| 7     | 0506-243    | 1   |       | Panel, Side - Left (Red)                       |
| 7     | 0506-479    | 1   |       | Panel, Side - Right (Green)                    |
| 7     | 0506-165    | 1   |       | Panel, Side - Left (Green)                     |
| 8     | 0506-245    | 1   |       | Panel, Fender - Rear (Red)                     |
| 8     | 0506-367    | 1   |       | Panel, Fender - Rear (Green)                   |
| 8     | 0506-258    | 1   | /P    | Panel, Fender - Rear (300 4X4) (Red)           |
| 8     | 0506-302    | 1   | /P    | Panel, Fender - Rear (300 4X4) (Green)         |
| 9     | 0506-284    | 1   |       | Rack - Rear                                    |
| 9     | 0506-190    | 1   | /P    | Rack - Rear (300 4X4)                          |
| 10    | 0406-293    | 1   |       | Wrap, Tube - Rear Rack                         |
| 11    | 0417-002    | 1   |       | Foam, Access Panel                             |
| 12    | 0606-029    | 2   |       | Reflector, Rear - Red                          |
| 13    | 0406-082    | 1   |       | Flare - Rear Right (300 4X4)                   |
| 13    | 0406-083    | 1   |       | Flare - Rear Left (300 4X4)                    |
| 14    | 0406-460    | 1   |       | Mud Flap - Right (300 4X4)                     |
| 14    | 0406-461    | 1   |       | Mud Flap - Left (300 4X4)                      |
| 15    | 0423-046    | 12  |       | Rivet, Plastic (2X4)                           |
| 15    | 0423-046    | 58  |       | Rivet, Plastic (4X4)                           |
| 16    | 0406-084    | 1   |       | Fender Extension - Rear Right                  |
| 16    | 0406-085    | 1   |       | Fender Extension - Rear Left                   |
| 16    | 0506-160    | 1   |       | Fender Extension - Rear Right (300 4X4)        |
| 16    | 0506-161    | 1   |       | Fender Extension - Rear Left (300 4X4)         |
| 17    | 0623-362    | 2   |       | Rivet, Plastic                                 |
| 18    | 0423-101    | AR  |       | Screw, Machine                                 |
| 19    | 0423-060    | 2   |       | Clip, Tinnerman                                |
| 20    | 0623-309    | 2   |       | Screw, Self-Tapping                            |
| 21    | 8409-020    | 6   | /P    | Screw, Cap                                     |
| 22    | 8408-812    | 2   |       | Screw, Cap                                     |
| 23    | 0423-031    | 2   |       | Nut, Speed                                     |
| 24    | 0123-010    | 2   | /P    | Nut, Expansion                                 |
| 25    | 0423-068    | 2   |       | Screw, Machine                                 |
| 26    | 8477-610    | 4   |       | Screw, Machine (250 2X4 /250 4X4/300 2X4)      |
| 27    | 8476-616    | 2   |       | Screw, Machine                                 |
| 28    | 0406-374    | 2   |       | Panel, Deflector                               |
| 29    | 0423-077    | 4   | /P    | T-Nut (250 2X4 /250 4X4 /300 2X4)              |
| 30    | 0506-272    | 1   |       | Flare - Front Right (250 2X4 /250 4X4/300 2X4) |
| 30    | 0506-273    | 1   |       | Flare - Front Left (250 2X4 /250 4X4/300 2X4)  |

2001 300 2X4 RED (A2001ATF2AUSR) (ATV 250/300 CC)  
BODY PANEL ASSEMBLY

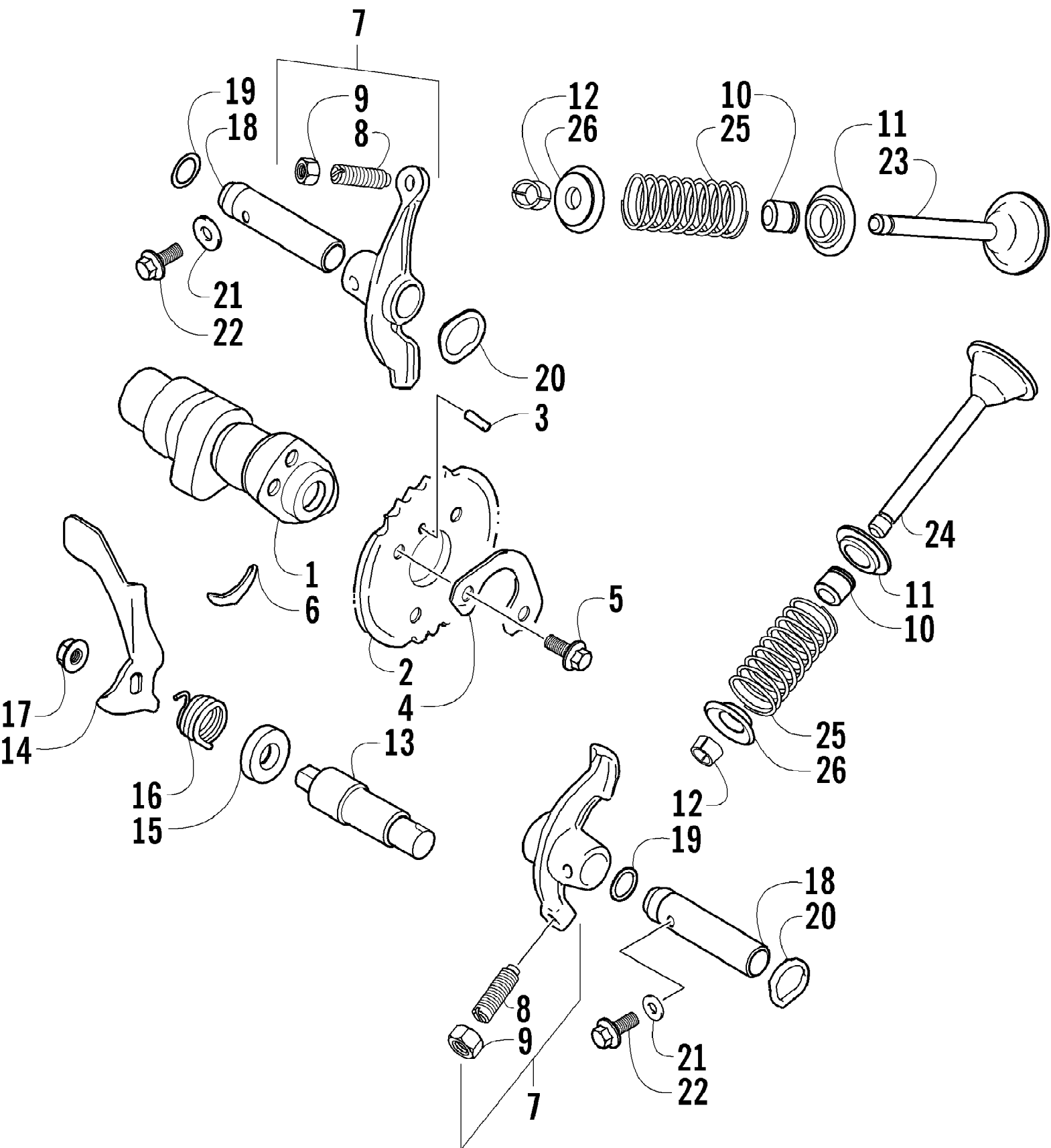
| Ref # | Part Number | Qty | S/P/F | Description    |
|-------|-------------|-----|-------|----------------|
| 31    | 0619-230    | AR  | /P    | Tape, Foil     |
| 32    | 0423-168    | 8   |       | Rivet, Plastic |



2001 300 2X4 RED (A2001ATF2AUSR) (ATV 250/300 CC)  
CAM CHAIN ASSEMBLY

Page 7 of 89

| Ref # | Part Number | Qty | S/P/F | Description                                |
|-------|-------------|-----|-------|--|
| 1     | 3402-398    | 1   |       | Chain, Camshaft (250)                      |
| 1     | 3402-281    | 1   |       | Chain, Camshaft (300)                      |
| 2     | 3402-399    | 1   | S     | Guide, Camshaft Chain (250)                |
| 2     | 3402-277    | 1   |       | Guide, Camshaft Chain (300)                |
| 3     | 3402-400    | 1   |       | Tensioner, Camshaft Chain (250)            |
| 3     | 3402-282    | 1   |       | Tensioner, Camshaft Chain (300)            |
| 4     | 3003-188    | 1   | S/P   | Washer                                     |
| 5     | 3423-074    | 1   |       | Screw, Cap                                 |
| 6     | 3402-283    | 1   |       | Adjuster, Tensioner - Assembly (inc. 7-10) |
| 7     | 3402-284    | 1   |       | Spring                                     |
| 8     | 3402-285    | 1   |       | Plug                                       |
| 9     | 3402-286    | 1   |       | Bar  |
| 10    | 3423-286    | 1   |       | O-Ring                                     |
| 11    | 3402-287    | 1   |       | Gasket, Adjuster                           |
| 12    | 3004-576    | 2   | S     | Screw, Cap                                 |





2001 300 2X4 RED (A2001ATF2AUSR) (ATV 250/300 CC)  
CAMSHAFT/VALVE ASSEMBLY

Page 9 of 89

| Ref # | Part Number | Qty | S/P/F | Description                  |
|-------|-------------|-----|-------|------------------------------|
| 1     | 3402-397    | 1   |       | Camshaft (250)               |
| 1     | 3402-275    | 1   |       | Camshaft (300)               |
| 2     | 3402-427    | 1   |       | Sprocket (250)               |
| 2     | 3402-326    | 1   | S     | Sprocket (300)               |
| 3     | 3423-047    | 1   |       | Pin                          |
| 4     | 3423-284    | 1   | S     | Washer                       |
| 5     | 3423-013    | 2   | S     | Screw                        |
| 6     | 3423-071    | 1   | /P    | C-Ring                       |
| 7     | 3402-288    | 2   |       | Arm, Valve Rocker (inc. 8-9) |
| 8     | 3423-287    | 2   |       | Screw, Cap                   |
| 9     | 3423-288    | 2   |       | Nut                          |
| 10    | 3402-226    | 2   |       | Seal, Oil                    |
| 11    | 3402-403    | 2   |       | Seat, Valve Spring (250)     |
| 11    | 3402-294    | 2   |       | Seat, Valve Spring (300)     |
| 12    | 0693-281    | 4   | /P    | Cotter, Valve                |
| 13    | 3402-295    | 1   |       | Shaft, Decompression Lever   |
| 14    | 3402-296    | 1   |       | Lever, Decompression         |
| 15    | 3402-225    | 1   |       | Seal, Oil                    |
| 16    | 3402-242    | 1   |       | Spring                       |
| 17    | 3004-326    | 1   | S/P   | Nut                          |
| 18    | 3402-289    | 2   |       | Shaft, Rocker Arm            |
| 19    | 3423-052    | 2   |       | O-Ring                       |
| 20    | 3423-259    | 2   |       | Washer                       |
| 21    | 3003-290    | 2   | /P    | Gasket                       |
| 22    | 0693-416    | 2   |       | Screw, Cap                   |
| 23    | 3402-290    | 1   |       | Valve, Intake                |
| 24    | 3402-291    | 1   |       | Valve, Exhaust               |
| 25    | 3402-401    | 2   |       | Spring, Valve - Set (250)    |
| 25    | 3402-292    | 2   |       | Spring, Valve - Set (300)    |
| 26    | 3402-402    | 2   |       | Retainer, Spring (250)       |
| 26    | 3402-293    | 2   | S     | Retainer, Spring (300)       |

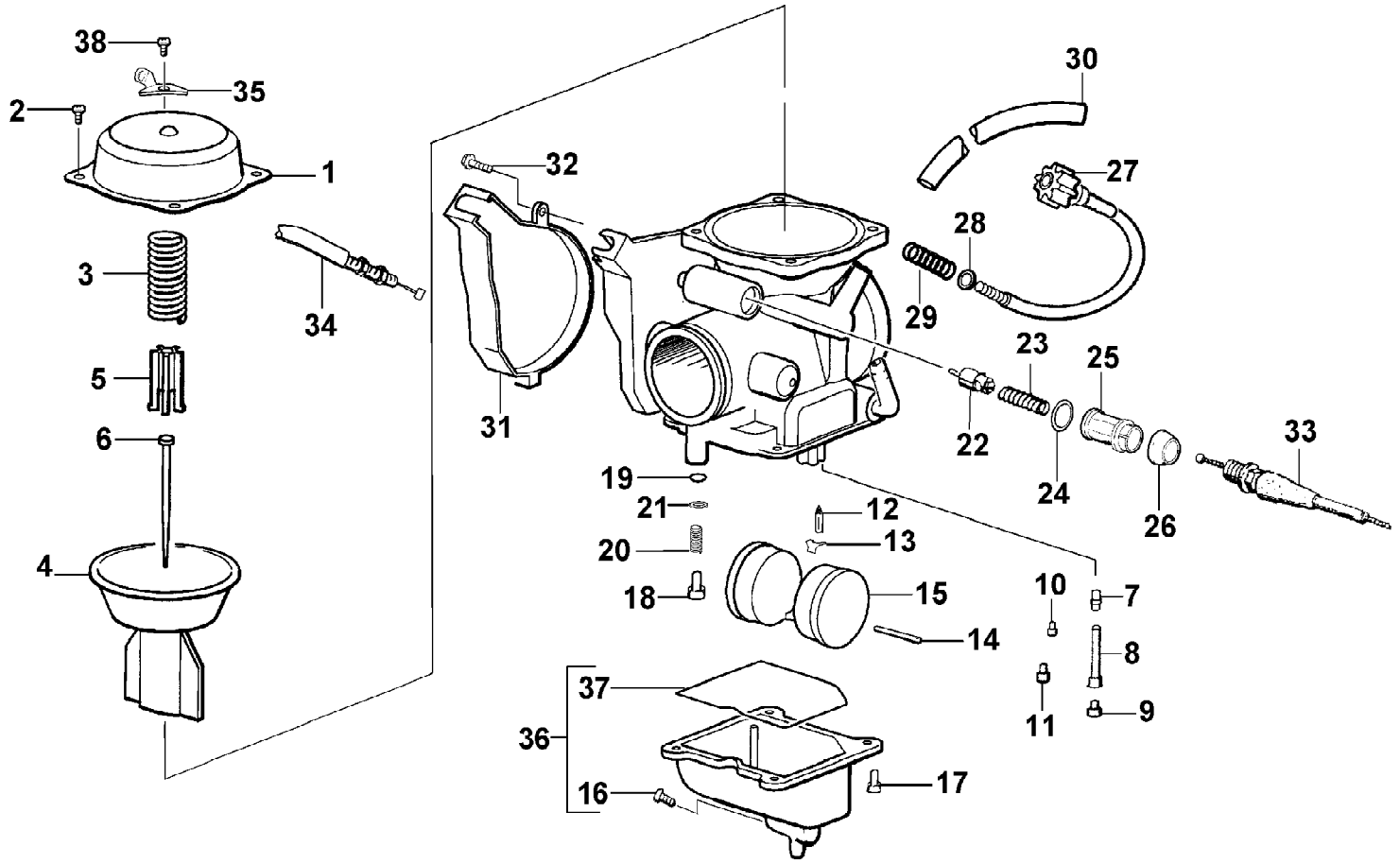


2001 300 2X4 RED (A2001ATF2AUSR) (ATV 250/300 CC)  
CARBURETOR (250 cc)

Page 11 of 89

| Ref # | Part Number | Qty | S/P/F | Description                   |
|-------|-------------|-----|-------|-------------------------------|
| 1     | 4505-069    | 1   |       | Cover - Assembly              |
| 2     | 4505-002    | 1   |       | Spring                        |
| 3     | 4505-003    | 1   |       | Ring                          |
| 4     | 4505-004    | 1   | S     | E-Clip                        |
| 5     | 4505-005    | 1   |       | Ring                          |
| 6     | 4505-061    | 1   | /P    | Jet Needle J8-4D28-3          |
| 7     | 4505-007    | 4   | S     | Screw                         |
| 8     | 4505-058    | 1   |       | Diaphragm                     |
| 9     | 4505-009    | 1   |       | Screw                         |
| 10    | 4505-067    | 1   |       | Plunger Assembly              |
| 11    | 4505-011    | 1   | /P    | O-Ring                        |
| 12    | 4505-012    | 1   |       | Washer                        |
| 13    | 4505-013    | 1   |       | Spring                        |
| 14    | 4505-014    | 4   |       | Screw                         |
| 15    | 4505-016    | 1   | /P    | Screw, Pilot                  |
| 16    | 4505-059    | 1   |       | Jet, Pilot 45                 |
| 17    | 4505-071    | 1   |       | Jet, Main 130                 |
| 17    | 4505-019    | 1   |       | Jet, Main 142.5               |
| 18    | 4505-057    | 1   | /P    | Needle Jet P-8M               |
| 18    | 4505-099    | 1   |       | Needle Jet P-6M               |
| 19    | 4505-021    | 1   |       | Float Assembly                |
| 20    | 4505-022    | 1   |       | Seat, Valve 2.0 (With Needle) |
| 21    | 4505-044    | 1   |       | O-Ring, Float Chamber         |
| 22    | 4505-045    | 1   |       | Filter                        |
| 23    | 4505-023    | 1   |       | Chamber, Float                |
| 24    | 4505-024    | 1   | /P    | Jet, Pilot Air                |
| 25    | 4505-025    | 3   |       | Screw                         |
| 26    | 4505-026    | 1   |       | Spring                        |
| 27    | 4505-062    | 1   |       | Adjuster, Cable - Assembly    |
| 28    | 4505-028    | 1   |       | Cover                         |
| 29    | 4505-029    | 1   |       | Washer                        |
| 30    | 4505-030    | 1   |       | Screw                         |
| 31    | 4505-031    | 1   |       | O-Ring, Cover                 |
| 32    | 4505-032    | 1   |       | Guide, Cable                  |
| 33    | 4505-033    | 2   |       | Washer                        |
| 34    | 4505-042    | 1   |       | Screw                         |
| 35    | 4505-065    | 1   |       | Clip                          |
| 36    | 4505-064    | 2   |       | Hose                          |
| 37    | 6505-875    | 1   | /P    | O-Ring                        |
| 38    | 0487-008    | 1   |       | Cable, Choke                  |
| 39    | 4505-039    | 1   | /P    | Spring                        |
| 40    | 4505-040    | 1   |       | Pin                           |
| 41    | 6505-006    | 1   |       | Washer                        |
| 42    | 0487-007    | 1   |       | Cable, Throttle               |
| 43    | 4505-063    | 1   |       | Clip                          |

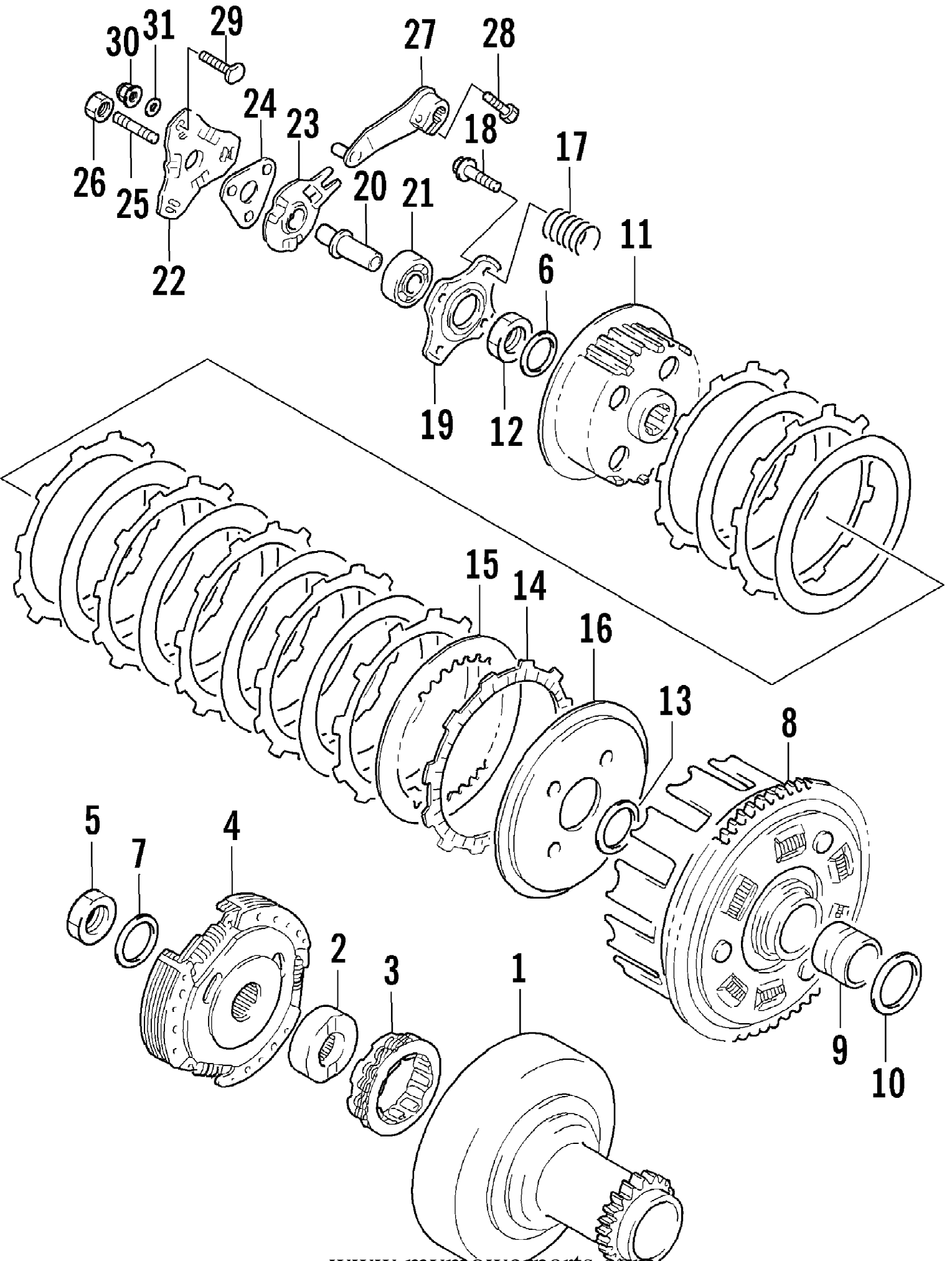
2001 300 2X4 RED (A2001ATF2AUSR) (ATV 250/300 CC)  
CARBURETOR (300 cc)



2001 300 2X4 RED (A2001ATF2AUSR) (ATV 250/300 CC)  
CARBURETOR (300 cc)

Page 13 of 89

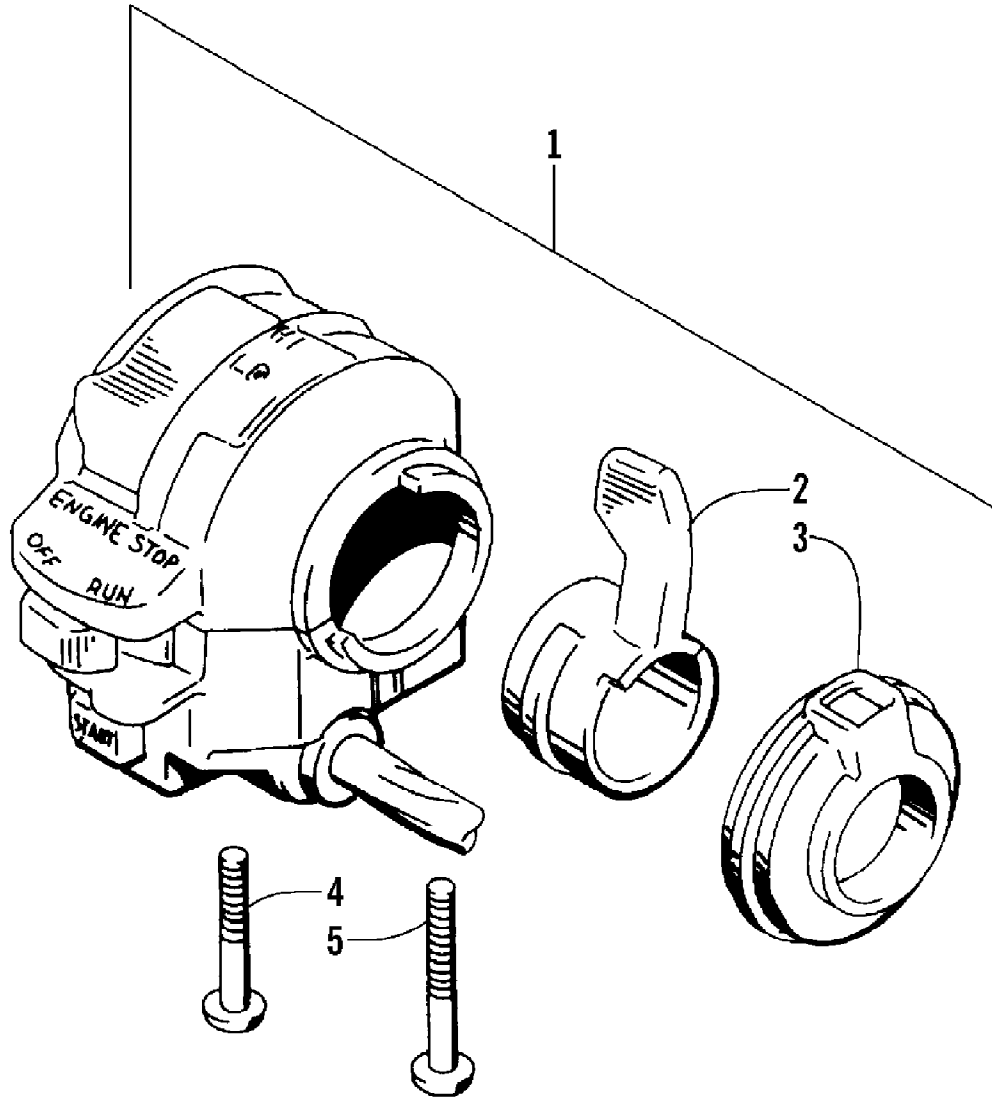
| Ref # | Part Number | Qty | S/P/F | Description                                |
|-------|-------------|-----|-------|--|
| 1     | 5507-051    | 1   |       | Cover, Top                                 |
| 2     | 5507-002    | 3   | /P    | Screw, Top Cover                           |
| 3     | 5507-052    | 1   |       | Spring                                     |
| 4     | 5507-053    | 1   |       | Piston, Vacuum                             |
| 5     | 5507-054    | 1   |       | Spring, Seat                               |
| 6     | 5507-055    | 1   |       | Jet Needle                                 |
| 7     | 5507-056    | 1   |       | Needle Jet                                 |
| 8     | 5507-008    | 1   | S     | Holder, Needle Jet                         |
| 9     | 5507-057    | 1   | /P    | Main Jet - 135                             |
| 9     | 5507-041    | 1   |       | Main Jet - 147                             |
| 9     | 5507-042    | 1   | /P    | Main Jet - 145                             |
| 9     | 5507-043    | 1   |       | Main Jet - 142                             |
| 9     | 5507-044    | 1   |       | Main Jet - 140                             |
| 9     | 5507-009    | 1   | /P    | Main Jet - 150                             |
| 10    | 5507-010    | 1   | S     | Slow Jet                                   |
| 11    | 5507-058    | 1   |       | Starter Jet 102                            |
| 12    | 5507-038    | 1   |       | Valve, Float - Set (inc. 13)               |
| 13    |             | 1   | F     | Clip                                       |
| 14    |             | 1   | F     | Pin, Float                                 |
| 15    | 5507-039    | 1   |       | Float Set (inc. 14)                        |
| 16    | 5507-050    | 1   | /P    | Plug, Drain                                |
| 17    | 5507-017    | 4   | /P    | Screw                                      |
| 18    | 5507-040    | 1   |       | Screw, Pilot Air - Set (inc. 19-21)        |
| 19    | 0           | 1   | F     | O-Ring                                     |
| 20    | 0           | 1   | F     | Spring                                     |
| 21    | 0           | 1   | F     | Washer                                     |
| 22    | 5507-022    | 1   |       | Valve, Starter                             |
| 23    | 5507-023    | 1   |       | Spring                                     |
| 24    | 5507-024    | 1   |       | O-Ring                                     |
| 25    | 5507-025    | 1   |       | Cap  |
| 26    | 5507-026    | 1   |       | Cap, Rubber                                |
| 27    | 5507-059    | 1   |       | Screw, Stop (inc. 35)                      |
| 28    | 5507-028    | 1   |       | Washer                                     |
| 29    | 5507-029    | 1   |       | Spring                                     |
| 30    | 5507-060    | 1   |       | Tube, Vinyl                                |
| 31    | 5507-036    | 1   |       | Cover                                      |
| 32    | 5507-037    | 1   | /P    | Screw                                      |
| 33    | 0487-017    | 1   |       | Cable, Choke                               |
| 34    | 0487-019    | 1   |       | Cable, Throttle                            |
| 35    | 0           | 1   | F     | Bracket, Idle Adjust                       |
| 36    | 0           | 1   | F     | Chamber, Float - Assembly (inc. 16 and 37) |
| 37    | 5507-068    | 1   |       | O-Ring, Float Chamber                      |
| 38    | 5507-035    | 1   |       | Screw                                      |



2001 300 2X4 RED (A2001ATF2AUSR) (ATV 250/300 CC)  
CLUTCH ASSEMBLY

Page 15 of 89

| Ref # | Part Number | Qty | S/P/F | Description                    |
|-------|-------------|-----|-------|--------------------------------|
| 1     | 3446-253    | 1   | /P    | Gear, Primary Drive (250)      |
| 1     | 3446-120    | 1   | S     | Gear, Primary Drive (300)      |
| 2     | 3446-129    | 1   |       | Race, Inner                    |
| 3     | 3446-122    | 1   |       | Clutch, One Way                |
| 4     | 3446-257    | 1   |       | Clutch Assembly (250)          |
| 4     | 3446-128    | 1   |       | Clutch Assembly (300)          |
| 5     | 3423-253    | 1   |       | Nut                            |
| 6     | 3423-032    | 1   |       | Washer, Lock                   |
| 7     | 3423-260    | 1   | S     | Washer, Lock                   |
| 8     | 3446-254    | 1   |       | Gear, Primary - Assembly (250) |
| 8     | 3446-121    | 1   |       | Gear, Primary - Assembly (300) |
| 9     | 3402-206    | 1   |       | Spacer                         |
| 10    | 3402-211    | 1   |       | Washer                         |
| 11    | 3446-255    | 1   |       | Hub, Clutch (250)              |
| 11    | 3446-123    | 1   |       | Hub, Clutch (300)              |
| 12    | 3423-254    | 1   |       | Nut                            |
| 13    | 3423-316    | 1   |       | Washer                         |
| 14    | 3446-124    | 7   |       | Plate, Drive (250)             |
| 14    | 3446-124    | 8   |       | Plate, Drive (300)             |
| 15    | 3446-125    | 6   |       | Plate, Driven (250)            |
| 15    | 3446-125    | 7   |       | Plate, Driven (300)            |
| 16    | 3446-256    | 1   |       | Plate, Clutch Pressure (250)   |
| 16    | 3446-126    | 1   |       | Plate, Clutch Pressure (300)   |
| 17    | 3402-239    | 4   |       | Spring                         |
| 18    | 3004-341    | 4   | S/P   | Screw, Cap                     |
| 19    | 3446-127    | 1   |       | Plate, Release                 |
| 20    | 3446-130    | 1   |       | Rod, Push                      |
| 21    | 3402-043    | 1   | /P    | Bearing                        |
| 22    | 3446-133    | 1   |       | Guide, Ball - Outer            |
| 23    | 3446-131    | 1   |       | Guide, Ball - Inner            |
| 24    | 3446-134    | 1   |       | Ball, Release                  |
| 25    | 3423-248    | 1   |       | Screw, Adjuster                |
| 26    | 3423-022    | 1   |       | Nut, Adjuster                  |
| 27    | 3446-132    | 1   |       | Arm, Release                   |
| 28    | 3423-125    | 1   | S     | Screw, Cap                     |
| 29    | 3423-245    | 3   |       | Screw, Cap                     |
| 30    | 0693-316    | 3   | S     | Nut                            |
| 31    | 3003-290    | 3   | /P    | Seal, Cap Screw                |

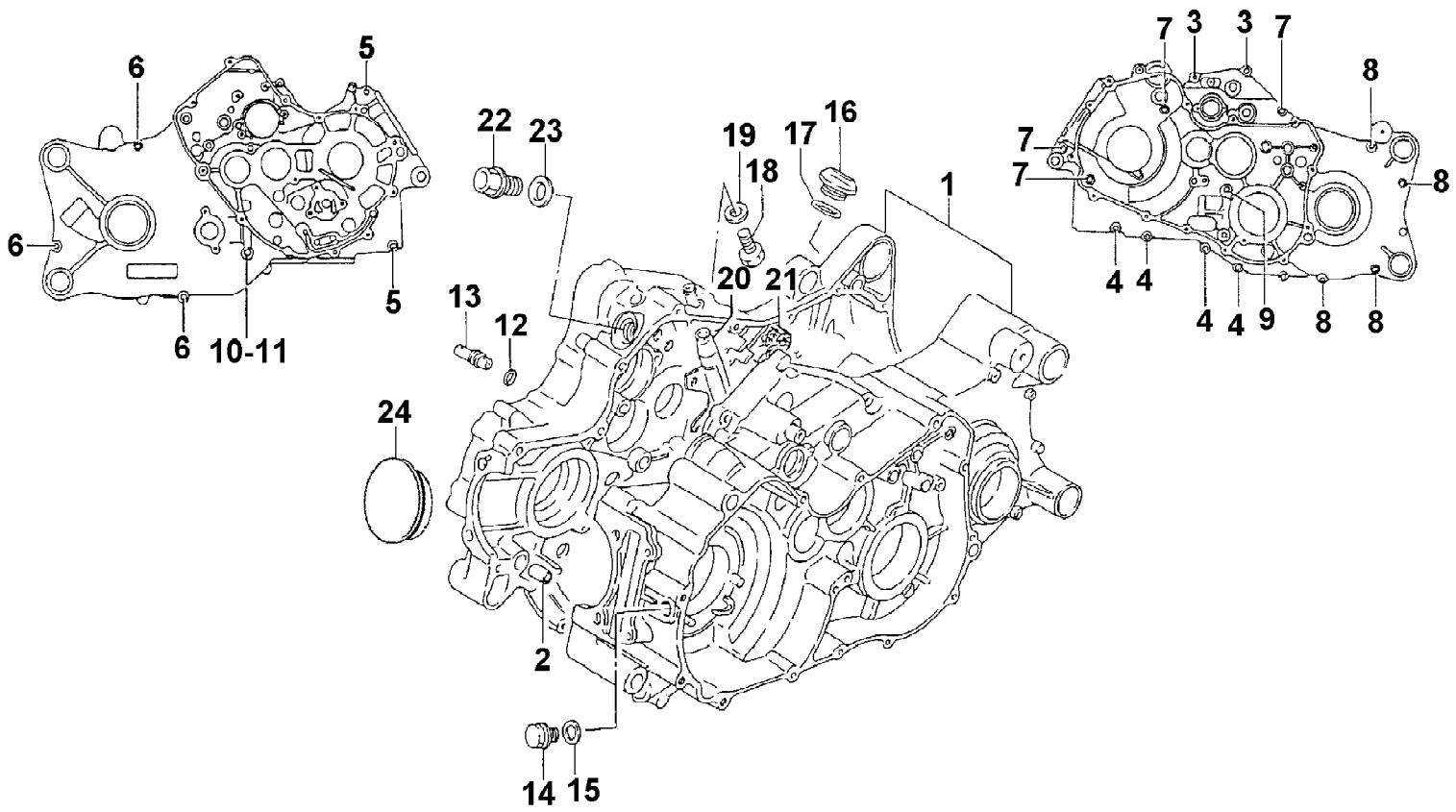




2001 300 2X4 RED (A2001ATF2AUSR) (ATV 250/300 CC)  
CONTROL SWITCH HOUSING ASSEMBLY

Page 17 of 89

| Ref # | Part Number | Qty | S/P/F | Description                                     |
|-------|-------------|-----|-------|---|
| 1     | 3409-002    | 1   | S     | Switch, Handlebar Control - Assembly (inc. 2-5) |
| 2     | 3409-009    | 1   |       | Lever, Choke                                    |
| 3     | 3409-010    | 1   |       | Cover, Choke Lever                              |
| 4     | 3423-196    | 1   |       | Screw, Cap                                      |
| 5     | 3423-197    | 1   |       | Screw, Cap                                      |

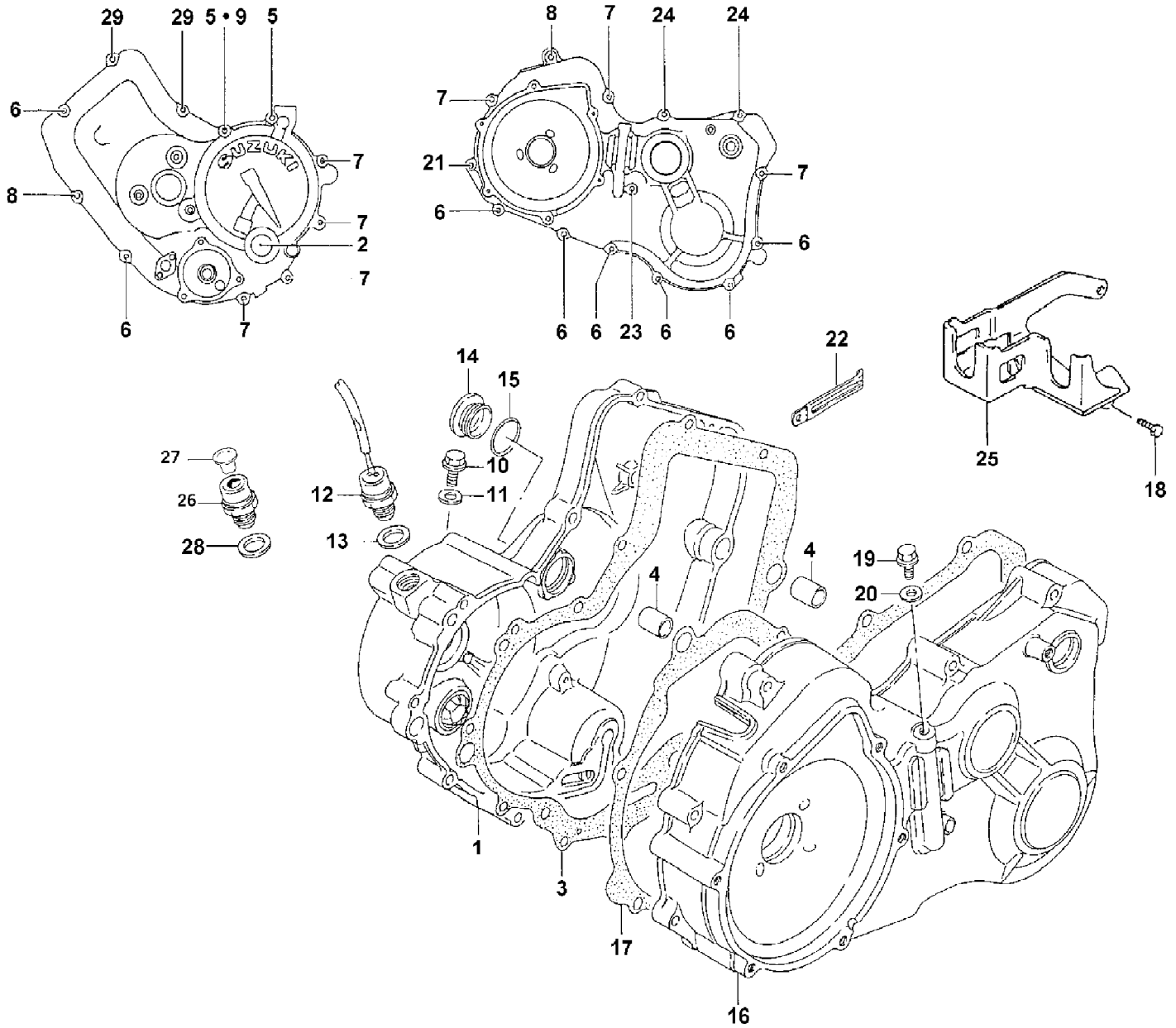


2001 300 2X4 RED (A2001ATF2AUSR) (ATV 250/300 CC)  
CRANKCASE ASSEMBLY

Page 19 of 89

| Ref # | Part Number | Qty | S/P/F | Description                         |
|-------|-------------|-----|-------|-------------------------------------|
| 1     | 3402-411    | 1   | S     | Crankcase Set (inc. 2-13) (250 2X4) |
| 1     | 3402-528    | 1   | /P    | Crankcase Set (inc. 2-13) (250 4X4) |
| 1     | 3402-253    | 1   |       | Crankcase Set (inc. 2-13) (300 2X4) |
| 1     | 3402-314    | 1   | S     | Crankcase Set (inc. 2-13) (300 4X4) |
| 2     | 3423-088    | 2   |       | Pin, Dowel                          |
| 3     | 3423-162    | 2   | S     | Screw, Cap                          |
| 4     | 3423-098    | 4   | S     | Screw, Cap                          |
| 5     | 3423-091    | 2   | S     | Screw, Cap                          |
| 6     | 3423-307    | 3   | S     | Screw, Cap                          |
| 7     | 3423-308    | 4   | S     | Screw, Cap                          |
| 8     | 3423-094    | 4   |       | Screw, Cap                          |
| 9     | 3423-232    | 1   |       | Screw, Cap                          |
| 10    | 3423-234    | 1   |       | Screw, Cap                          |
| 11    | 3005-243    | 1   |       | Gasket                              |
| 12    | 3423-051    | 1   |       | O-Ring, Oil Gallery Jet             |
| 13    | 3402-245    | 1   |       | Jet, Oil Gallery                    |
| 14    | 3402-214    | 1   |       | Plug                                |
| 15    | 3402-012    | 1   |       | Gasket                              |
| 16    | 3402-212    | 1   |       | Cap, Oil Filler                     |
| 17    | 3423-274    | 1   | /P    | O-Ring                              |
| 18    | 3402-404    | 1   |       | Plug, Oil Drain (250)               |
| 18    | 3402-327    | 1   | S     | Plug, Oil Drain (300)               |
| 19    | 3402-011    | 1   |       | Gasket                              |
| 20    | 3402-413    | 1   |       | Pipe, Breather (250 2X4)            |
| 20    | 3402-530    | 1   |       | Pipe, Breather (250 4X4)            |
| 20    | 3402-257    | 1   |       | Pipe, Breather (300)                |
| 21    | 3402-250    | 1   |       | Separator, Oil Breather (300)       |
| 22    | 3402-258    | 1   |       | Plug, Reverse Switch Hole           |
| 23    | 3423-271    | 1   |       | O-Ring                              |
| 24    | 3423-208    | 1   |       | Plug, Crankcase (250 2X4)           |

2001 300 2X4 RED (A2001ATF2AUSR) (ATV 250/300 CC)  
CRANKCASE COVER ASSEMBLY

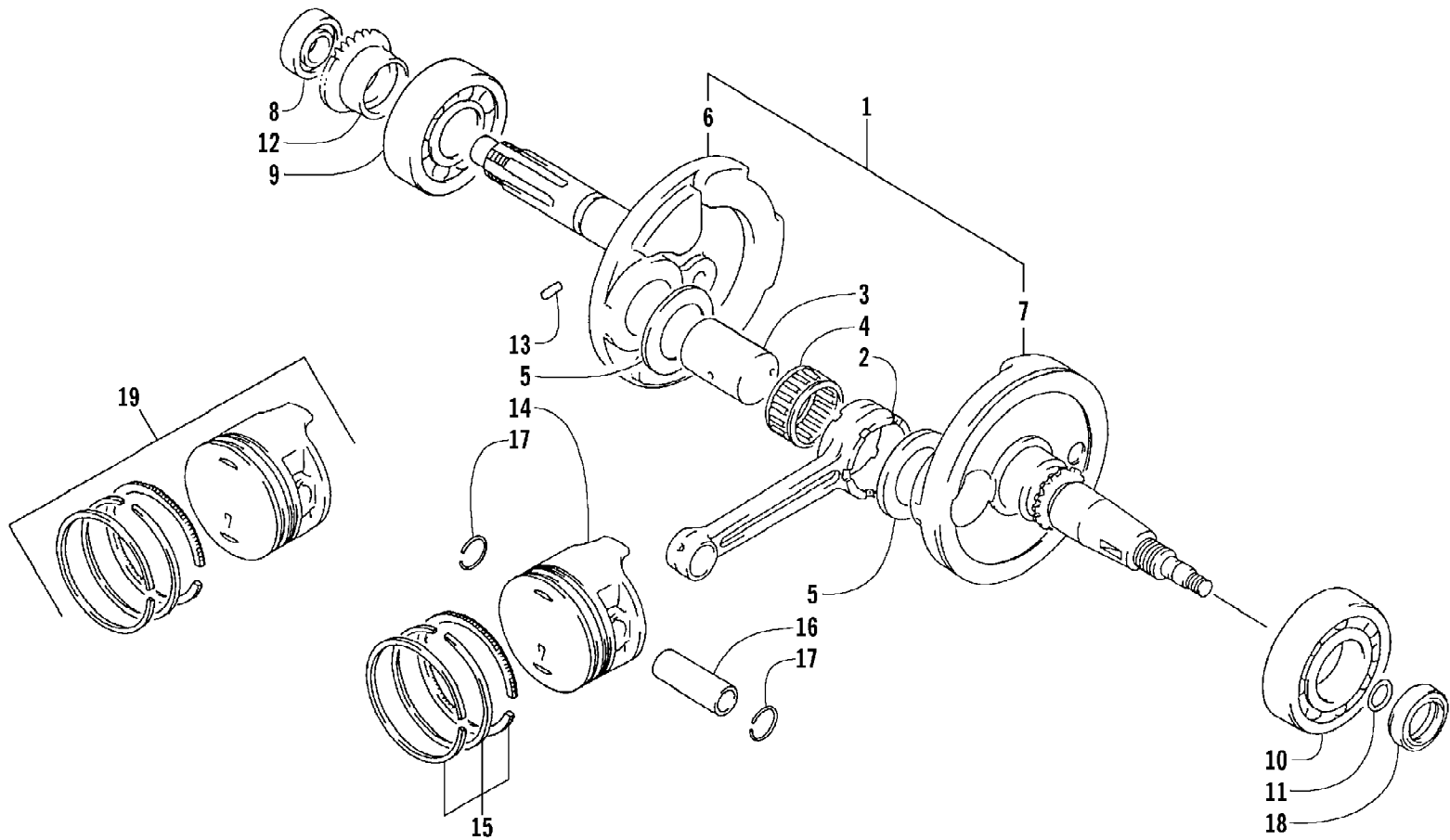


2001 300 2X4 RED (A2001ATF2AUSR) (ATV 250/300 CC)  
CRANKCASE COVER ASSEMBLY

Page 21 of 89

| Ref # | Part Number | Qty | S/P/F | Description                 |
|-------|-------------|-----|-------|-----------------------------|
| 1     | 3402-254    | 1   | /P    | Cover, Clutch (inc. 2)      |
| 2     | 3402-112    | 1   | /P    | Lens, Oil Inspection        |
| 3     | 3402-280    | 1   | S     | Gasket                      |
| 4     | 3423-088    | 4   |       | Pin, Dowel                  |
| 5     | 3423-231    | 2   |       | Bolt                        |
| 6     | 0693-327    | 8   | S     | Bolt                        |
| 7     | 3423-098    | 7   | S     | Bolt                        |
| 8     | 3423-307    | 2   | S     | Bolt                        |
| 9     | 3003-290    | 1   | /P    | Gasket                      |
| 10    | 3004-705    | 2   | S     | Plug, Oil Gallery           |
| 11    | 3005-242    | 2   |       | Gasket                      |
| 12    | 3430-019    | 1   |       | Switch, Oil Sensor (300)    |
| 13    | 3402-013    | 1   | /P    | Gasket (300)                |
| 14    | 3402-215    | 1   |       | Cap, Clutch Adjust          |
| 15    | 3423-274    | 1   | /P    | O-Ring                      |
| 16    | 3402-256    | 1   |       | Cover, Transfer             |
| 17    | 3402-262    | 1   |       | Gasket, Transfer Cover      |
| 18    | 3423-328    | 1   | S     | Screw, Cap                  |
| 19    | 3004-339    | 1   | S/P   | Plug, Oil Gallery           |
| 20    | 3003-290    | 1   | /P    | Gasket                      |
| 21    | 3004-756    | 1   | S     | Screw, Cap                  |
| 22    | 0693-274    | 2   | /P    | Clamp, Breather Hose (250)  |
| 22    | 3402-237    | 2   |       | Clamp, Breather Hose (300)  |
| 23    | 3423-308    | 1   | S     | Screw, Cap                  |
| 24    | 3423-091    | 2   | S     | Screw, Cap                  |
| 25    | 3430-029    | 1   |       | Bracket, Shift Cable        |
| 26    | 3402-041    | 1   | S     | Plug, Oil Gallery (250)     |
| 27    | 3402-405    | 1   |       | Cap, Oil Gallery Plug (250) |
| 28    | 3402-013    | 1   | /P    | Gasket (250)                |
| 29    | 0693-327    | 2   | S     | Bolt (250)                  |
| 29    | 3423-098    | 2   | S     | Bolt (300)                  |

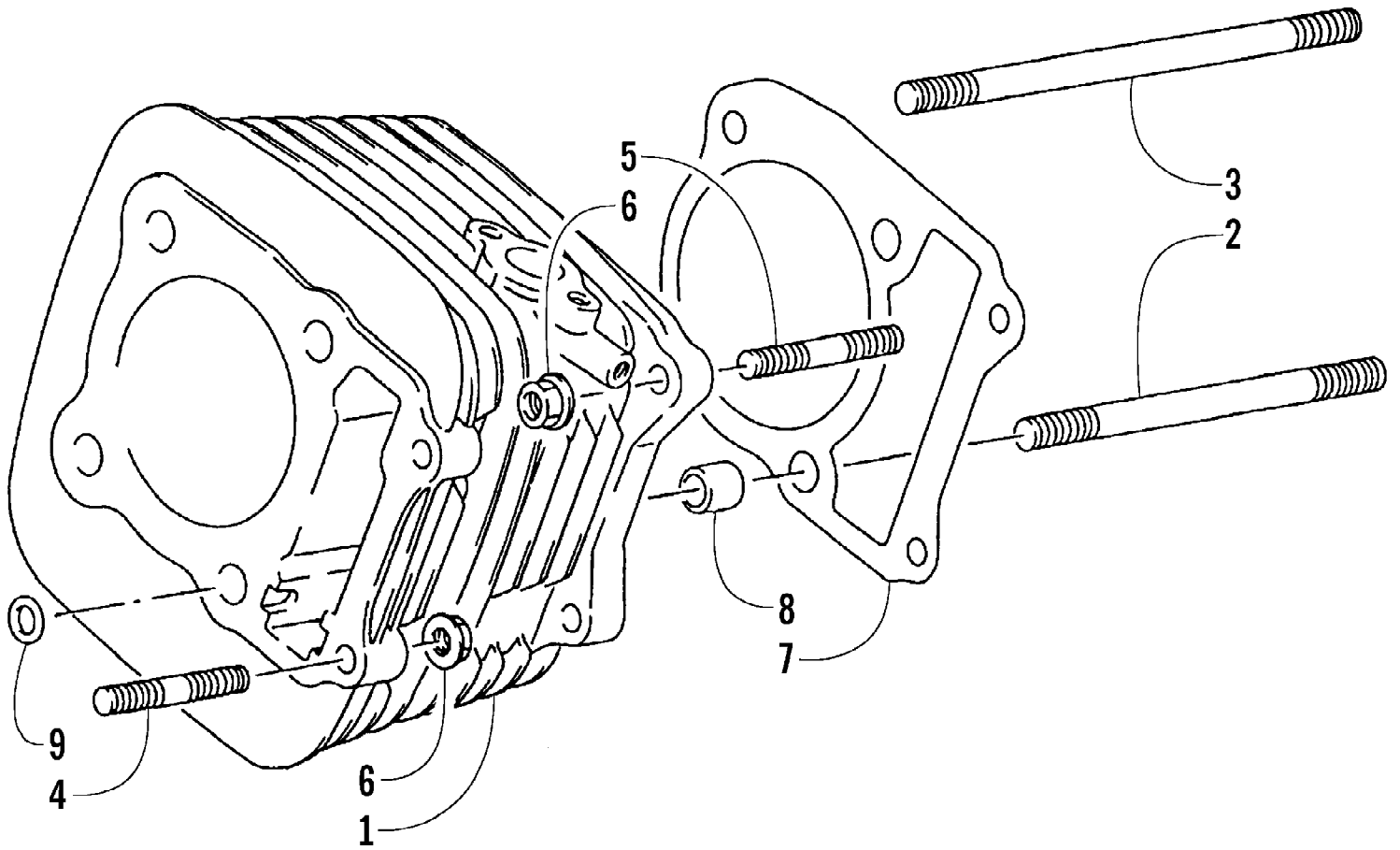
2001 300 2X4 RED (A2001ATF2AUSR) (ATV 250/300 CC)  
CRANKSHAFT ASSEMBLY



2001 300 2X4 RED (A2001ATF2AUSR) (ATV 250/300 CC)  
CRANKSHAFT ASSEMBLY

Page 23 of 89

| Ref # | Part Number | Qty | S/P/F | Description                                  |
|-------|-------------|-----|-------|--|
| 1     | 3402-419    | 1   |       | Crankshaft Assembly (inc. 2-7) (250)         |
| 1     | 3402-269    | 1   |       | Crankshaft Assembly (inc. 2-7) (300)         |
| 2     | 3402-418    | 1   |       | Rod, Connecting (250)                        |
| 2     | 3402-268    | 1   |       | Rod, Connecting (300)                        |
| 3     | 3402-422    | 1   | S     | Pin, Crank (250 2X4)                         |
| 3     | 3402-529    | 1   | /P    | Pin, Crank (250 4X4)                         |
| 3     | 3402-270    | 1   | S     | Pin, Crank (300)                             |
| 4     | 3402-406    | 1   |       | Bearing (250)                                |
| 4     | 3402-223    | 1   |       | Bearing (300)                                |
| 5     | 3005-241    | 2   |       | Washer (300)                                 |
| 6     | 3402-420    | 1   |       | Crankshaft - Right (250)                     |
| 6     | 3402-271    | 1   | S     | Crankshaft - Right (300)                     |
| 7     | 3402-421    | 1   | S     | Crankshaft - Left (250)                      |
| 7     | 3402-272    | 1   | S     | Crankshaft - Left (300)                      |
| 8     | 3402-216    | 1   |       | Bearing - Right                              |
| 9     | 3402-221    | 1   |       | Bearing - Middle                             |
| 10    | 3402-180    | 1   | S     | Bearing - Left (250)                         |
| 10    | 3402-055    | 1   | /P    | Bearing - Left (300)                         |
| 11    | 3423-053    | 1   | /P    | O-Ring                                       |
| 12    | 3402-428    | 1   |       | Gear, Oil Pump Drive (250)                   |
| 12    | 3402-301    | 1   |       | Gear, Oil Pump Drive (300)                   |
| 13    | 3423-114    | 1   | /P    | Pin  |
| 14    | 3402-415    | 1   |       | Piston (250)                                 |
| 14    | 3402-265    | 1   |       | Piston (300)                                 |
| 15    | 3402-416    | 1   |       | Ring, Piston - Set (250)                     |
| 15    | 3402-266    | 1   |       | Ring, Piston - Set (300)                     |
| 15    | 3436-013    | 1   |       | Ring, Piston - Set (Oversized 0.50 mm) (250) |
| 15    | 3436-014    | 1   |       | Ring, Piston - Set (Oversized 1.00 mm) (250) |
| 15    | 3436-011    | 1   |       | Ring, Piston - Set (Oversized 0.50 mm) (300) |
| 15    | 3436-012    | 1   |       | Ring, Piston - Set (Oversized 1.00 mm) (300) |
| 16    | 3402-417    | 1   |       | Pin, Piston (250)                            |
| 16    | 3402-267    | 1   |       | Pin, Piston (300)                            |
| 17    | 3423-366    | 2   |       | Circlip (250)                                |
| 17    | 3423-280    | 2   |       | Circlip (300)                                |
| 18    | 3402-227    | 1   |       | Seal, Oil                                    |
| 19    | 3402-423    | 1   |       | Piston Set (Oversized 0.50 mm) (250)         |
| 19    | 3402-424    | 1   |       | Piston Set (Oversized 1.00 mm) (250)         |
| 19    | 3402-306    | 1   |       | Piston Set (Oversized 0.50 mm) (300)         |
| 19    | 3402-307    | 1   |       | Piston Set (Oversized 1.00 mm) (300)         |



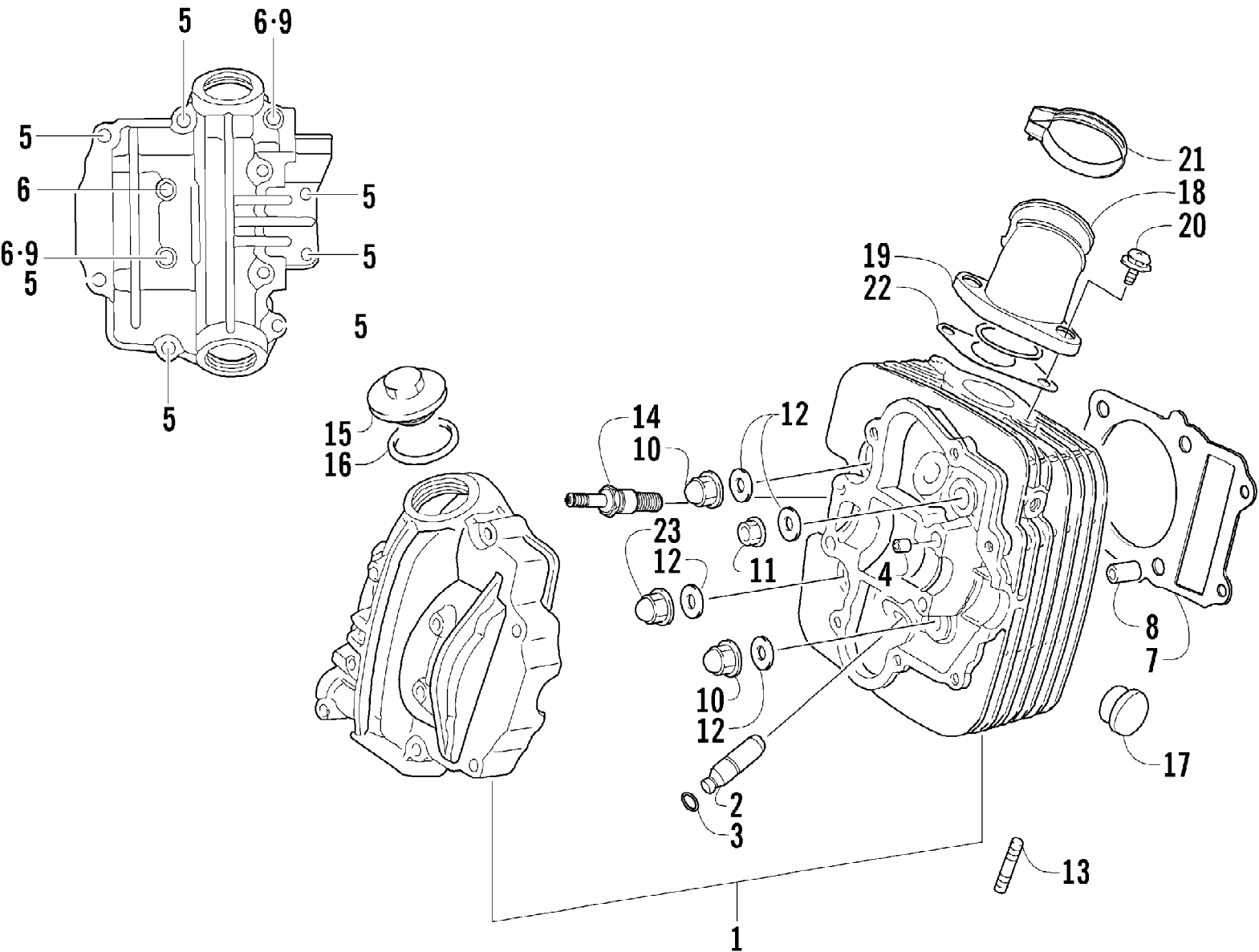


2001 300 2X4 RED (A2001ATF2AUSR) (ATV 250/300 CC)  
CYLINDER ASSEMBLY

Page 25 of 89

| Ref # | Part Number | Qty | S/P/F | Description            |
|-------|-------------|-----|-------|------------------------|
| 1     | 3402-409    | 1   |       | Cylinder (250)         |
| 1     | 3402-251    | 1   |       | Cylinder (300)         |
| 2     | 3423-365    | 2   |       | Bolt, Stud (250)       |
| 2     | 3423-238    | 2   |       | Bolt, Stud (300)       |
| 3     | 3423-364    | 2   |       | Bolt, Stud (250)       |
| 3     | 3423-239    | 2   |       | Bolt, Stud (300)       |
| 4     | 3423-089    | 2   | S     | Bolt, Stud             |
| 5     | 3423-237    | 2   |       | Bolt, Stud             |
| 6     | 3004-488    | 4   | S/P   | Nut                    |
| 7     | 3402-410    | 1   |       | Gasket, Cylinder (250) |
| 7     | 3402-252    | 1   |       | Gasket, Cylinder (300) |
| 8     | 3423-306    | 2   |       | Pin, Dowel             |
| 9     | 3005-226    | 1   | /P    | O-Ring (300)           |

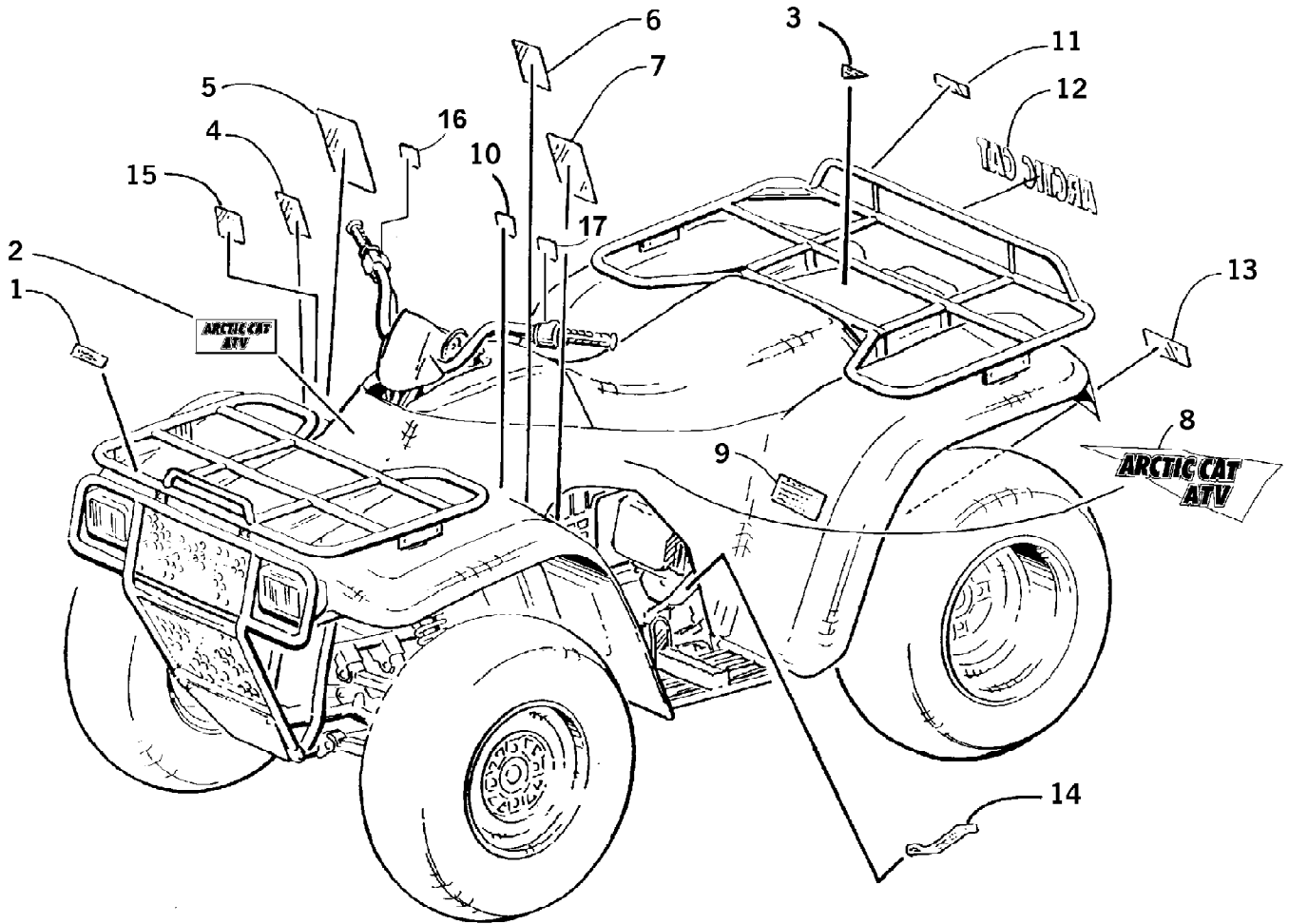
2001 300 2X4 RED (A2001ATF2AUSR) (ATV 250/300 CC)  
CYLINDER HEAD ASSEMBLY



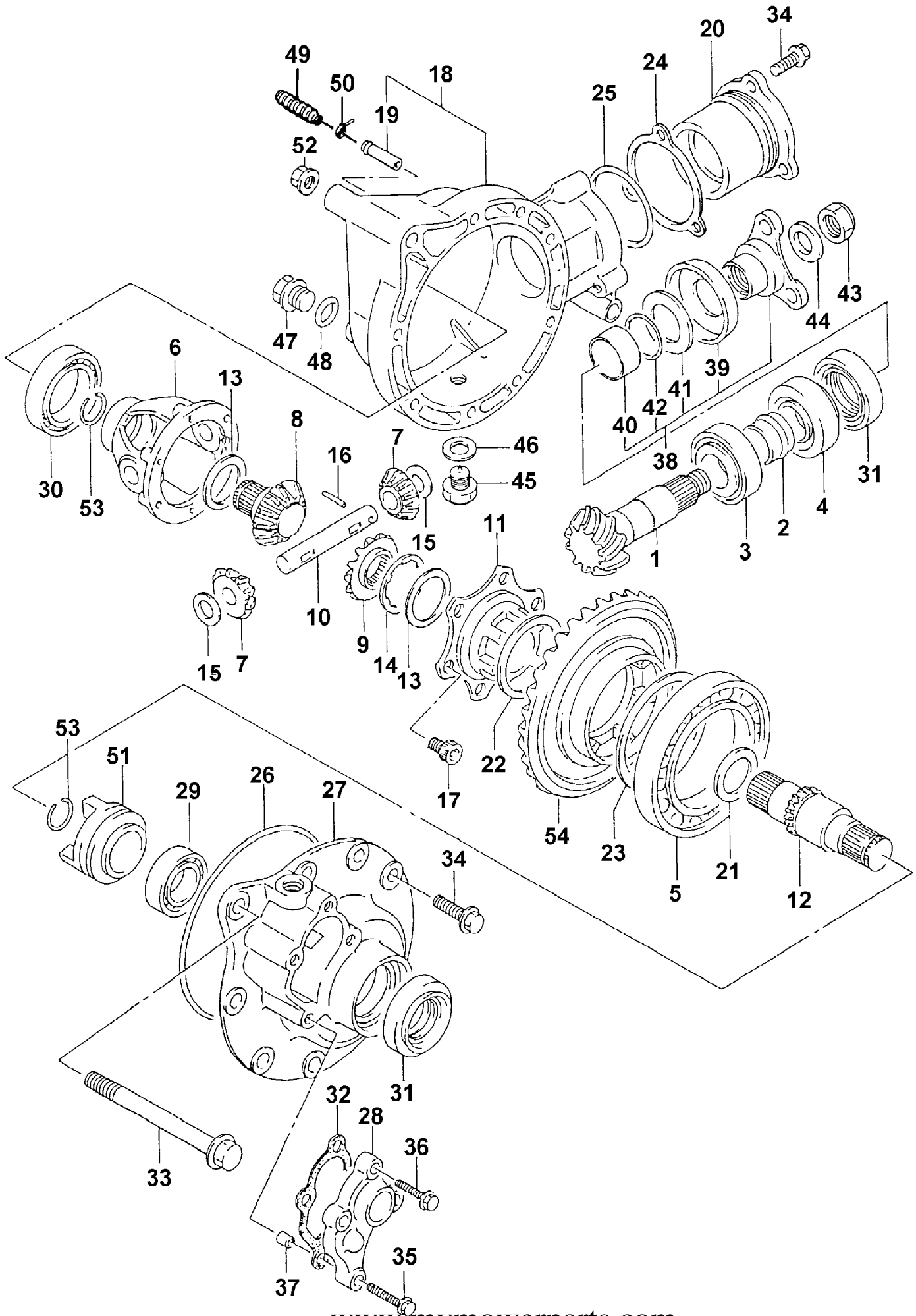
2001 300 2X4 RED (A2001ATF2AUSR) (ATV 250/300 CC)  
CYLINDER HEAD ASSEMBLY

Page 27 of 89

| Ref # | Part Number | Qty | S/P/F | Description                                |
|-------|-------------|-----|-------|--|
| 1     | 3402-407    | 1   |       | Head, Cylinder - Assembly (inc. 2-6) (250) |
| 1     | 3402-246    | 1   |       | Head, Cylinder - Assembly (inc. 2-6) (300) |
| 2     | 3402-247    | 2   |       | Guide, Valve                               |
| 3     | 3423-068    | 2   |       | Ring, Valve Guide                          |
| 4     | 3423-043    | 2   | /P    | Pin, Dowel                                 |
| 5     | 3004-426    | 7   | S     | Screw, Cap                                 |
| 6     | 3423-304    | 3   | S     | Screw, Cap                                 |
| 7     | 3402-408    | 1   |       | Gasket, Cylinder Head (250)                |
| 7     | 3402-248    | 1   |       | Gasket, Cylinder Head (300)                |
| 8     | 3004-822    | 2   |       | Pin, Dowel                                 |
| 9     | 3003-290    | 2   | /P    | Gasket                                     |
| 10    | 3423-257    | 3   |       | Nut  |
| 11    | 3004-326    | 1   | S/P   | Nut  |
| 12    | 3005-243    | 4   |       | Gasket                                     |
| 13    | 3004-279    | 2   | S/P   | Bolt, Stud                                 |
| 14    | 0217-713    | 1   |       | Spark Plug (NGKDR7EA)                      |
| 15    | 3402-249    | 2   |       | Cap, Inspection                            |
| 16    | 3423-275    | 2   |       | O-Ring                                     |
| 17    | 3402-213    | 1   |       | Plug, Head                                 |
| 18    | 3402-297    | 1   | S     | Pipe, Intake                               |
| 18    | 3402-531    | 1   |       | Pipe, Intake (250 4X4)                     |
| 19    | 3423-276    | 1   |       | O-Ring                                     |
| 20    | 3423-305    | 2   | S     | Screw                                      |
| 21    | 3402-086    | 1   | /P    | Clamp                                      |
| 22    | 3402-298    | 1   |       | Gasket, Intake Pipe                        |
| 23    | 3004-326    | 1   | S/P   | Nut (250)                                  |
| 23    | 3423-257    | 1   |       | Nut (300)                                  |



| Ref # | Part Number | Qty | S/P/F | Description                              |
|-------|-------------|-----|-------|--|
| 1     | 0411-082    | 1   |       | Decal, Warning - Front Rack Load         |
| 2     | 0411-299    | 1   |       | Decal, Front (2X4) (Red)                 |
| 2     | 0411-298    | 1   |       | Decal, Front (2X4) (Green)               |
| 2     | 0411-301    | 1   |       | Decal, Front (4X4) (Red)                 |
| 2     | 0411-300    | 1   |       | Decal, Front (4X4) (Green)               |
| 3     | 3611-002    | 1   |       | Decal, "Made In U.S.A."                  |
| 4     | 0411-045    | 1   |       | Decal, Warning - Turn                    |
| 5     | 0411-008    | 1   | /P    | Decal, Warning Reverse/Pre-Ride          |
| 6     | 0411-040    | 1   |       | Decal, Warning - Age                     |
| 7     | 0411-218    | 1   |       | Decal, Warning - General                 |
| 8     | 0411-306    | 1   |       | Decal, "250" - Side Right (250) (Red)    |
| 8     | 0411-307    | 1   |       | Decal, "250" - Side Left (250) (Red)     |
| 8     | 0411-304    | 1   |       | Decal, "250" - Side Right (250) (Green)  |
| 8     | 0411-305    | 1   |       | Decal, "250" - Side Left (250) (Green)   |
| 8     | 0411-310    | 1   |       | Decal, "300" - Side Right (300) (Red)    |
| 8     | 0411-311    | 1   |       | Decal, "300" - Side Left (300) (Red)     |
| 8     | 0411-308    | 1   |       | Decal, "300" - Side Right (300) (Green)  |
| 8     | 0411-309    | 1   |       | Decal, "300" - Side Left (300) (Green)   |
| 9     | 0411-223    | 1   |       | Decal, Warning - Tire Pressure (250)     |
| 9     | 0411-224    | 1   |       | Decal, Warning - Tire Pressure (300 2X4) |
| 9     | 0411-225    | 1   |       | Decal, Warning - Tire Pressure (4X4)     |
| 10    | 0411-086    | 1   |       | Decal, Shift Pattern                     |
| 11    | 0411-083    | 1   |       | Decal, Warning - Rear Rack Load          |
| 12    | 0411-043    | 1   | /P    | Decal, "Arctic Cat" (4X4)                |
| 13    | 0411-269    | 1   |       | Decal, Warning - Towing                  |
| 14    | 0411-088    | 1   |       | Decal, Hi/Low Range (2X4)                |
| 14    | 0411-090    | 1   |       | Decal, Hi/Low Range (4X4)                |
| 15    | 0411-145    | 1   |       | Decal, 2X4/4X4 Shift (4X4)               |
| 16    | 0411-324    | 1   |       | Decal, Instruction - Start In Gear       |
| 17    | 0411-325    | 1   |       | Decal, Instruction - Choke               |



2001 300 2X4 RED (A2001ATF2AUSR) (ATV 250/300 CC)  
DIFFERENTIAL GEAR ASSEMBLY (4X4)

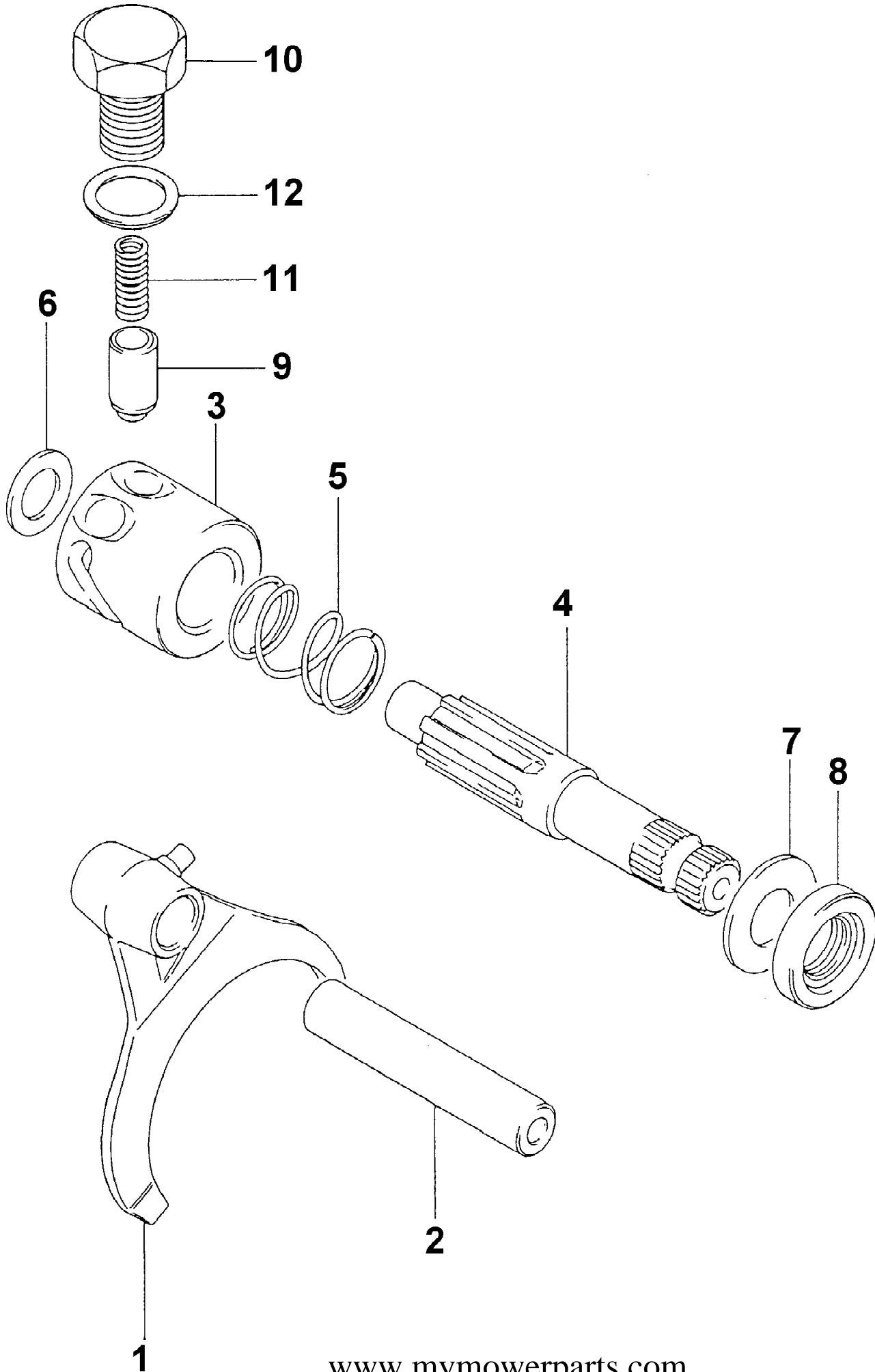
Page 31 of 89

| Ref # | Part Number | Qty | S/P/F | Description                           |
|-------|-------------|-----|-------|---------------------------------------|
|       | 3502-001    | 1   | S     | Complete Assembly                     |
| 1     | 3435-068    | 1   |       | Gear, Front Drive Bevel               |
| 2     | 3402-016    | 1   |       | Spacer                                |
| 3     | 3402-065    | 1   |       | Bearing, Front                        |
| 4     | 3402-066    | 1   | /P    | Bearing, Rear                         |
| 5     | 3402-059    | 1   |       | Bearing                               |
| 6     | 3435-076    | 1   |       | Case, Differential                    |
| 7     | 3435-071    | 2   |       | Pinion, Differential Side             |
| 8     | 3435-072    | 1   |       | Gear, Right                           |
| 9     | 3435-080    | 1   |       | Gear, Left                            |
| 10    | 3435-073    | 1   |       | Shaft, Pinion                         |
| 11    | 3435-070    | 1   |       | Hub                                   |
| 12    | 3435-074    | 1   | S     | Shaft, Driven Output                  |
| 13    | 3423-294    | AR  |       | Washer                                |
| 13    | 3423-295    | AR  |       | Washer                                |
| 13    | 3423-296    | AR  |       | Washer                                |
| 14    | 3423-297    | 1   |       | Washer                                |
| 15    | 3423-293    | 2   |       | Washer                                |
| 16    | 3402-309    | 1   |       | Pin, Pinion Shaft                     |
| 17    | 3423-309    | 6   |       | Screw, Cap                            |
| 18    | 3435-077    | 1   |       | Housing, Differential Gear (inc. 19)  |
| 19    | 3402-084    | 1   |       | Union, Breather                       |
| 20    | 3435-021    | 1   |       | Housing, Drive Bevel Gear             |
| 21    | 3423-317    | 1   |       | Washer                                |
| 22    | 3435-017    | 1   |       | Shim Set, Front Drive Bevel Gear      |
| 23    | 3435-020    | 1   |       | Shim Set, Drive Gear Bearing          |
| 24    | 3435-022    | 1   |       | Shim Set, Front Drive Bevel Housing   |
| 25    | 3423-064    | 1   |       | O-Ring                                |
| 26    | 3423-050    | 1   |       | O-Ring                                |
| 27    | 3435-078    | 1   |       | Case, Driven Gear Bearing             |
| 28    | 3435-079    | 1   |       | Cover                                 |
| 29    | 3402-185    | 1   |       | Bearing, Left                         |
| 30    | 3402-057    | 1   |       | Bearing, Right                        |
| 31    | 3402-072    | 3   |       | Seal, Oil                             |
| 32    | 3402-323    | 1   |       | Gasket, Case Cover                    |
| 33    | 3423-010    | 2   | /P    | Screw, Cap                            |
| 34    | 3423-175    | 11  | S     | Screw, Cap                            |
| 35    | 0693-327    | 2   | S     | Screw, Cap                            |
| 36    | 3004-756    | 2   | S     | Screw, Cap                            |
| 37    | 3005-206    | 2   | /P    | Pin, Dowel                            |
| 38    | 3435-089    | 1   | /P    | Flange, Drive Bevel Gear (inc. 39-42) |
| 39    | 3423-034    | 1   |       | Plate                                 |
| 40    | 3435-029    | 1   |       | Collar                                |
| 41    | 3435-030    | 1   |       | Plate, Oil Seal                       |
| 42    | 3423-060    | 1   |       | O-Ring                                |
| 43    | 3423-178    | 1   | /P    | Nut                                   |
| 44    | 3423-028    | 1   |       | Washer                                |
| 45    | 3402-036    | 1   | S     | Plug, Drain                           |
| 46    | 3402-012    | 1   |       | Gasket                                |
| 47    | 3402-038    | 1   |       | Plug, Filler                          |
| 48    | 3423-054    | 1   |       | O-Ring                                |
| 49    | 0402-147    | 1   | S/F   | Bladder, Housing                      |
| 50    | 0123-811    | 1   | F     | Gate, Top 4 in.                       |

2001 300 2X4 RED (A2001ATF2AUSR) (ATV 250/300 CC)  
DIFFERENTIAL GEAR ASSEMBLY (4X4)

| Ref # | Part Number | Qty | S/P/F | Description              |
|-------|-------------|-----|-------|--------------------------|
| 51    | 3435-075    | 1   |       | Dog                      |
| 52    | 8428-002    | 2   |       | Nut, Flange              |
| 53    | 3423-070    | 2   |       | Circlip                  |
| 54    | 3435-069    | 1   |       | Gear, Front Driven Bevel |

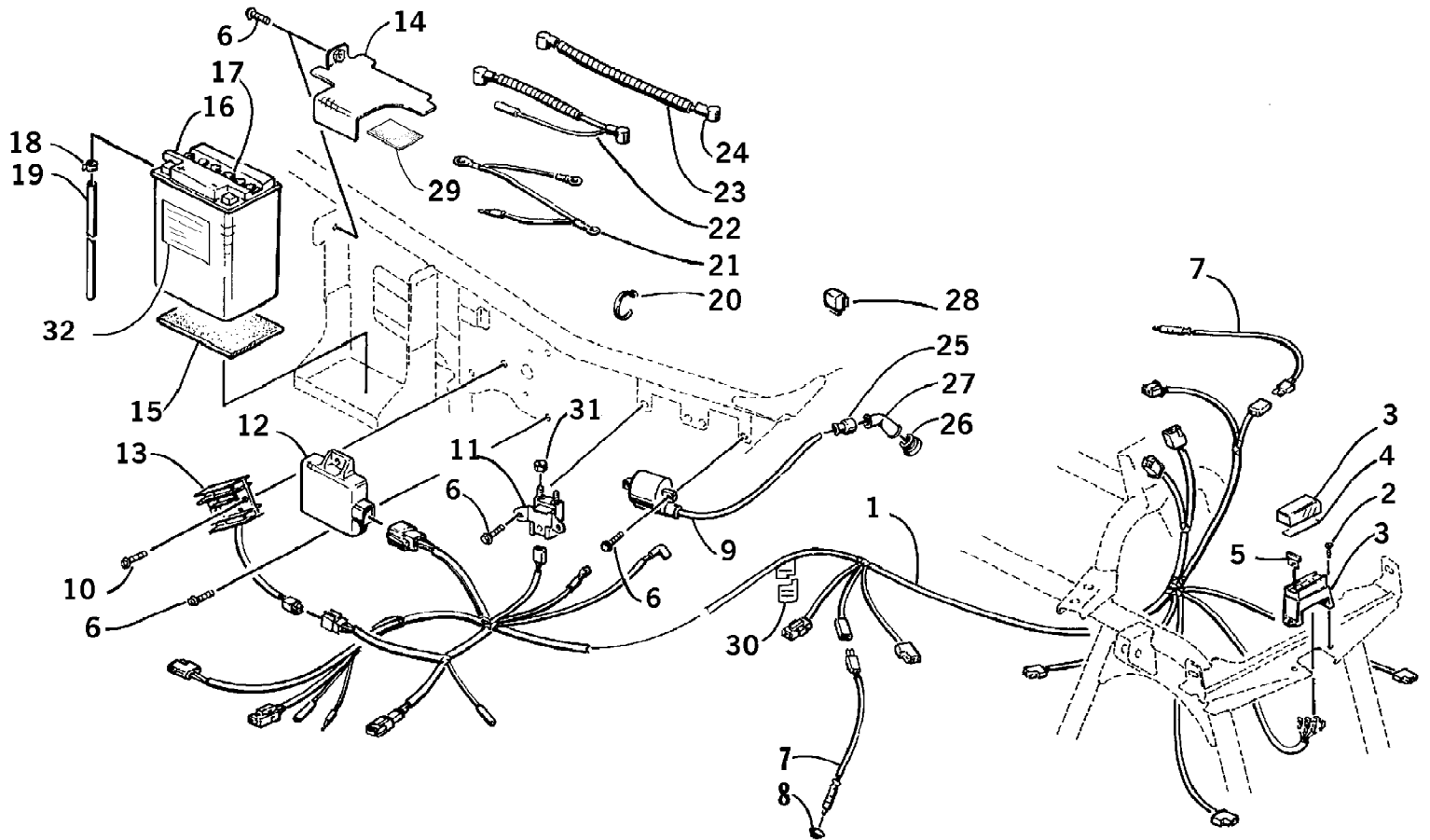




2001 300 2X4 RED (A2001ATF2AUSR) (ATV 250/300 CC)  
DIFFERENTIAL LOCK ASSEMBLY (4X4)

Page 34 of 89

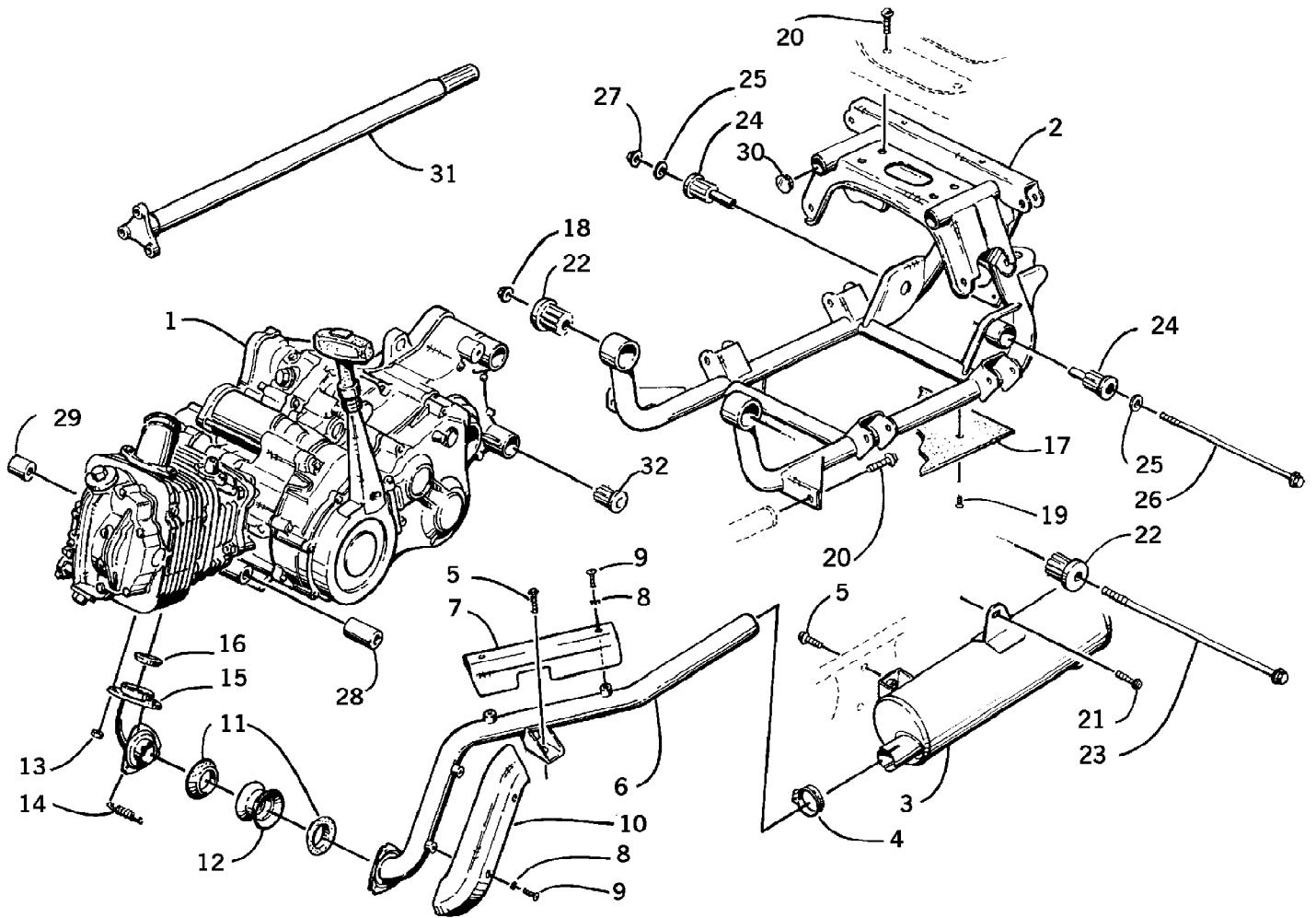
| Ref # | Part Number | Qty | S/P/F | Description                |
|-------|-------------|-----|-------|----------------------------|
| 1     | 3446-205    | 1   |       | Fork, Differential Locking |
| 2     | 3446-202    | 1   |       | Shaft, Fork                |
| 3     | 3446-203    | 1   |       | Cam, Differential Locking  |
| 4     | 3446-204    | 1   |       | Shaft, Cam                 |
| 5     | 3402-311    | 1   |       | Spring                     |
| 6     | 3423-300    | 1   |       | Washer, Right              |
| 7     | 3423-339    | 1   |       | Washer, Left               |
| 8     | 3402-076    | 1   |       | Seal, Oil                  |
| 9     | 3446-119    | 1   | /P    | Stopper, Shift Cam         |
| 10    | 3446-046    | 1   |       | Plug, Oil                  |
| 11    | 3402-089    | 1   |       | Spring                     |
| 12    | 3402-012    | 1   |       | Gasket                     |



2001 300 2X4 RED (A2001ATF2AUSR) (ATV 250/300 CC)  
ELECTRICAL COMPONENTS

Page 36 of 89

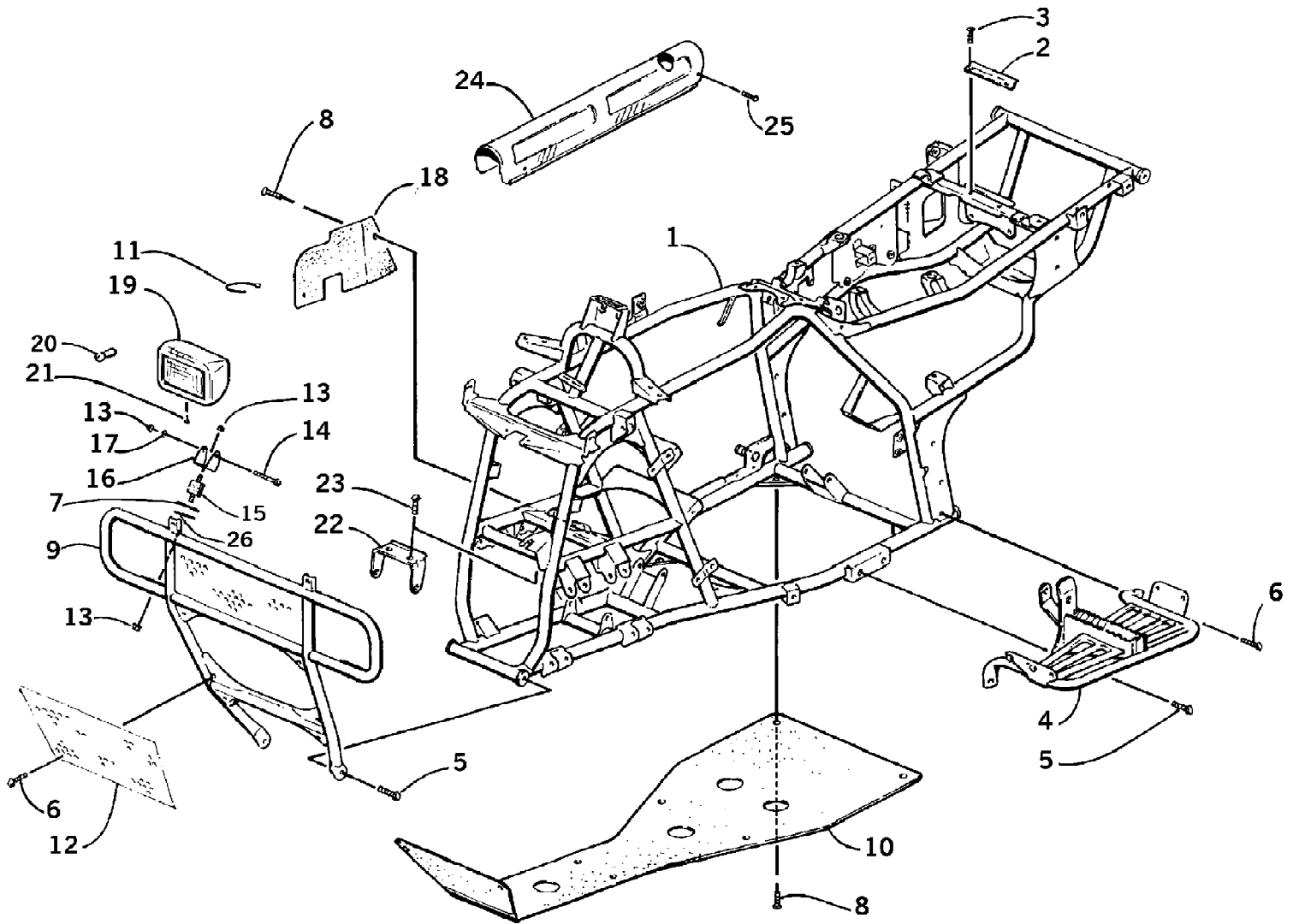
| Ref # | Part Number | Qty | S/P/F | Description   |
|-------|-------------|-----|-------|---|
| 1     | 0486-049    | 1   |       | Harness, Main (250)   |
| 1     | 0486-056    | 1   |       | Harness, Main (250/300 2X4) (Vehicle Identification Number 305378 and Up) |
| 1     | 0486-044    | 1   |       | Harness, Main (300 4X4)   |
| 1     | 0486-058    | 1   |       | Harness, Main (300 4X4) (Vehicle Identification Number 305378 and Up)     |
| 2     | 0623-361    | 2   |       | Screw, Self-Tapping   |
| 3     | 0530-003    | 1   |       | Fuse Box Assembly   |
| 4     | 0411-084    | 1   |       | Decal, Fuse Box   |
| 5     | 0630-057    | 4   |       | Fuse, 10 Amp  |
| 6     | 8476-616    | 8   |       | Screw, Cap  |
| 7     | 0409-009    | 2   |       | Switch, Brake   |
| 8     | 0402-168    | 1   | /P    | Retainer, Switch  |
| 9     | 3530-025    | 1   |       | Coil, Ignition (250)  |
| 9     | 3530-012    | 1   | /P    | Coil, Ignition (300)  |
| 10    | 8476-620    | 2   |       | Screw, Cap  |
| 11    | 3530-013    | 1   | /P    | Relay, Starter  |
| 12    | 3530-024    | 1   |       | CDI Unit (250)  |
| 12    | 3530-011    | 1   |       | CDI Unit (300)  |
| 13    | 3530-014    | 1   | /P    | Regulator, Voltage  |
| 13    | 3530-034    | 1   |       | Regulator, Voltage (Vehicle Identification Number 305378 and Up)          |
| 14    | 0506-254    | 1   | S     | Bracket, Battery  |
| 15    | 0406-380    | 1   |       | Pad, Battery  |
| 16    | 0645-063    | 1   | S     | Battery (inc. 17-19)  |
| 17    | 0645-045    | 6   |       | Cap, Battery  |
| 18    | 0645-152    | 1   |       | Clamp, Hose   |
| 19    | 0645-263    | 1   | /P    | Hose, Battery Vent  |
| 20    | 0123-788    | AR  | /P    | Cable Tie - 7 in.   |
| 21    | 0445-010    | 1   |       | Cable, Battery - Ground   |
| 22    | 0445-011    | 1   |       | Cable, Battery - Relay  |
| 23    | 0445-012    | 1   |       | Cable, Battery - Starter  |
| 24    | 0645-019    | 4   |       | Boot, Terminal - Battery  |
| 25    | 3430-009    | 1   | /P    | Seal, High Tension Wire   |
| 26    | 3430-026    | 1   |       | Seal, Spark Plug  |
| 27    | 3430-007    | 1   | /P    | Cap, Spark Plug   |
| 28    | 3530-026    | 1   | /P    | Relay, Neutral Start  |
| 29    | 0417-003    | 1   |       | Foam, Battery Bracket   |
| 30    | 0486-029    | 1   |       | Diode (Start in Gear)   |
| 31    | 0624-250    | 2   |       | Nut, Starter Relay  |
| 32    | 0645-151    | 1   |       | Decal, Warning - Battery  |



2001 300 2X4 RED (A2001ATF2AUSR) (ATV 250/300 CC)  
ENGINE AND RELATED PARTS

Page 38 of 89

| Ref # | Part Number | Qty | S/P/F | Description                    |
|-------|-------------|-----|-------|--------------------------------|
| 1     | 0462-012    | 1   | /P    | Engine (250 2X4)               |
| 1     | 0462-016    | 1   |       | Engine (250 4X4)               |
| 1     | 0462-005    | 1   |       | Engine (300 2X4)               |
| 1     | 0462-009    | 1   | /P    | Engine (300 4X4)               |
| 2     | 0506-301    | 1   | /P    | Sub-Frame                      |
| 3     | 0436-182    | 1   | /P    | Muffler (250)                  |
| 3     | 0512-011    | 1   |       | Muffler (300)                  |
| 4     | 0423-092    | 1   |       | Clamp, Exhaust                 |
| 5     | 8408-812    | 3   |       | Screw, Cap                     |
| 6     | 0512-004    | 1   |       | Pipe, Exhaust (250)            |
| 6     | 0512-014    | 1   |       | Pipe, Exhaust (300)            |
| 7     | 0412-024    | 1   |       | Cover, Exhaust - Rear          |
| 8     | 8053-211    | 4   | S     | Washer, Lock                   |
| 9     | 8477-610    | 4   |       | Screw, Cap                     |
| 10    | 0412-023    | 1   |       | Cover, Exhaust                 |
| 11    | 0612-887    | 2   | /P    | Gasket, Exhaust                |
| 12    | 0412-031    | 1   | S     | Coupler, Exhaust               |
| 13    | 8424-802    | 2   |       | Nut                            |
| 14    | 0123-321    | 3   | /P    | Spring, Extension              |
| 15    | 0512-008    | 1   |       | Pipe, Header                   |
| 16    | 3402-300    | 1   |       | Seal, Exhaust Pipe             |
| 17    | 0406-344    | 1   | S     | Panel, Belly - Sub-Frame (300) |
| 18    | 8422-202    | 1   |       | Nut                            |
| 19    | 0423-101    | 6   |       | Screw, Body                    |
| 20    | 8409-020    | 6   | /P    | Screw, Cap                     |
| 21    | 8408-816    | 1   |       | Screw, Cap                     |
| 22    | 3402-264    | 2   |       | Mount, Engine                  |
| 23    | 3423-236    | 1   | /P    | Screw, Cap                     |
| 24    | 3402-263    | 4   |       | Mount, Engine                  |
| 25    | 8050-272    | 4   |       | Washer                         |
| 26    | 3423-235    | 2   | /P    | Screw, Cap                     |
| 27    | 8422-002    | 2   |       | Nut                            |
| 28    | 0402-231    | 1   |       | Spacer, Engine Mount - Long    |
| 29    | 0402-232    | 1   |       | Spacer, Engine Mount - Short   |
| 30    | 0406-320    | 2   |       | Cap, Sub-Frame                 |
| 31    | 0502-066    | 1   |       | Driveshaft (4X4)               |
| 32    | 3402-263    | 4   |       | Bushing, Engine Mount          |

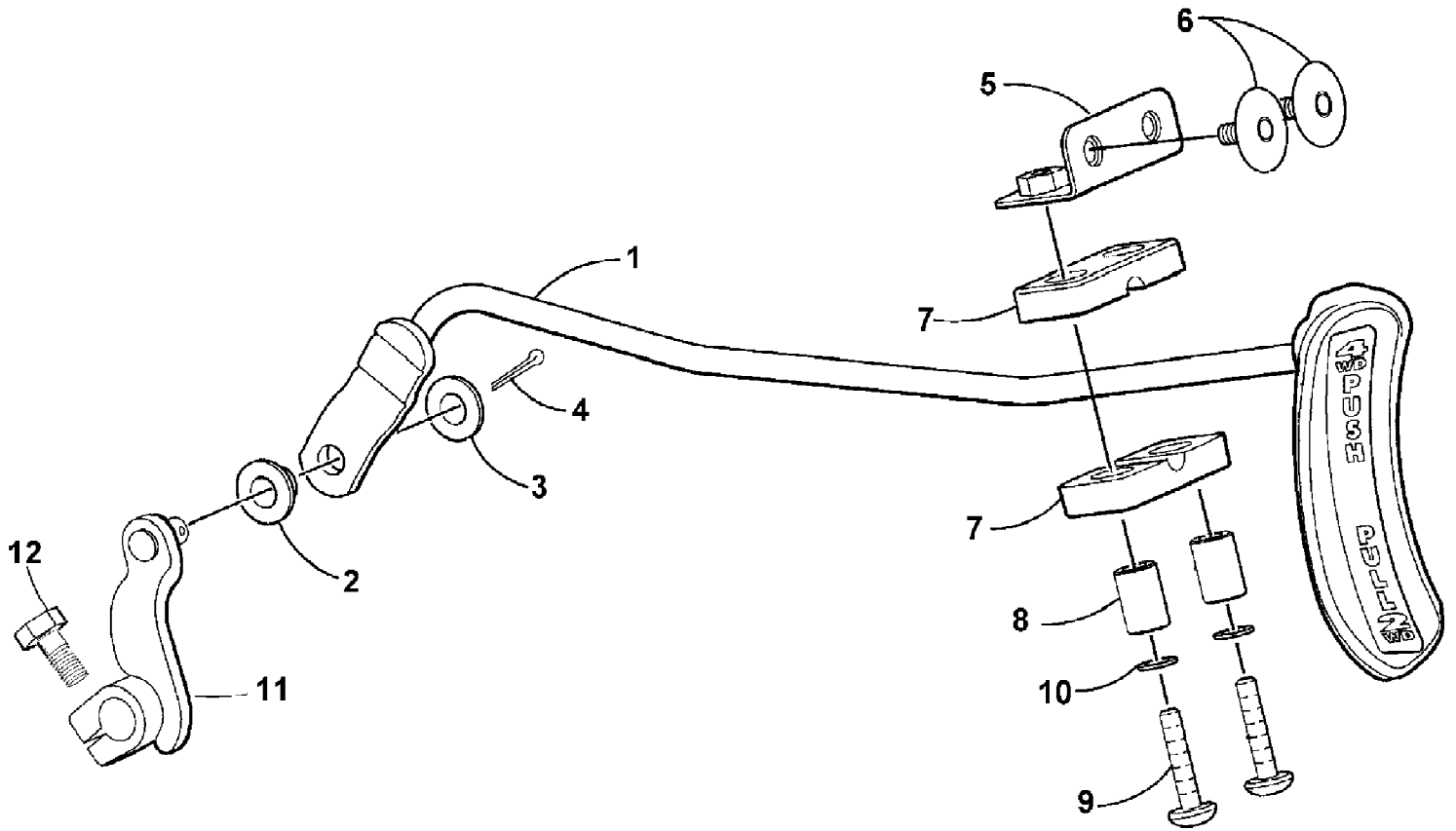


2001 300 2X4 RED (A2001ATF2AUSR) (ATV 250/300 CC)  
 FRAME AND RELATED PARTS

Page 40 of 89

| Ref # | Part Number | Qty | S/P/F | Description                      |
|-------|-------------|-----|-------|----------------------------------|
| 1     | 0506-478    | 1   |       | Frame, Main                      |
| 2     | 0406-372    | 1   | S     | Bracket, Body Hold-Down          |
| 3     | 8476-616    | 2   |       | Screw, Machine                   |
| 4     | 0506-176    | 1   | S     | Footrest - Right                 |
| 4     | 0506-217    | 1   |       | Footrest - Left                  |
| 5     | 8409-020    | 6   | /P    | Screw, Cap                       |
| 6     | 8408-816    | 8   |       | Screw, Cap                       |
| 7     | 3423-204    | 2   | /P    | Washer                           |
| 8     | 0423-101    | 10  |       | Screw, Body                      |
| 9     | 0506-485    | 1   |       | Guard, Brush (250)               |
| 9     | 0506-408    | 1   |       | Guard, Brush (300)               |
| 10    | 0406-354    | 1   | /P    | Panel, Belly                     |
| 11    | 0123-788    | AR  | /P    | Cable Tie - 7 in.                |
| 12    | 0406-390    | 1   |       | Screen, Bumper - Lower (300 4x4) |
| 13    | 8424-802    | 6   |       | Nut                              |
| 14    | 8408-850    | 2   |       | Screw, Cap                       |
| 15    | 0406-262    | 2   | S     | Mount, Headlight                 |
| 16    | 0406-261    | 2   |       | Yoke, Headlight                  |
| 17    | 8053-242    | 2   | /P    | Washer, Lock - External Tooth    |
| 18    | 0406-300    | 2   |       | Panel, Inner Fender (4X4)        |
| 19    | 0409-001    | 2   |       | Headlight Assembly (inc. 20-21)  |
| 20    | 0409-005    | 2   |       | Bulb, Headlight                  |
| 21    | 0123-950    | 2   |       | Screw, Machine                   |
| 22    | 0506-210    | 1   |       | Bracket, Differential (4X4)      |
| 23    | 8408-820    | 2   | /P    | Screw, Cap (4X4)                 |
| 24    | 0406-371    | 1   |       | Cover, Front Driveshaft (4X4)    |
| 25    | 8471-610    | 4   |       | Screw, Cap (4X4)                 |
| 26    | 0623-710    | 2   |       | Washer, Lock - High Collar       |

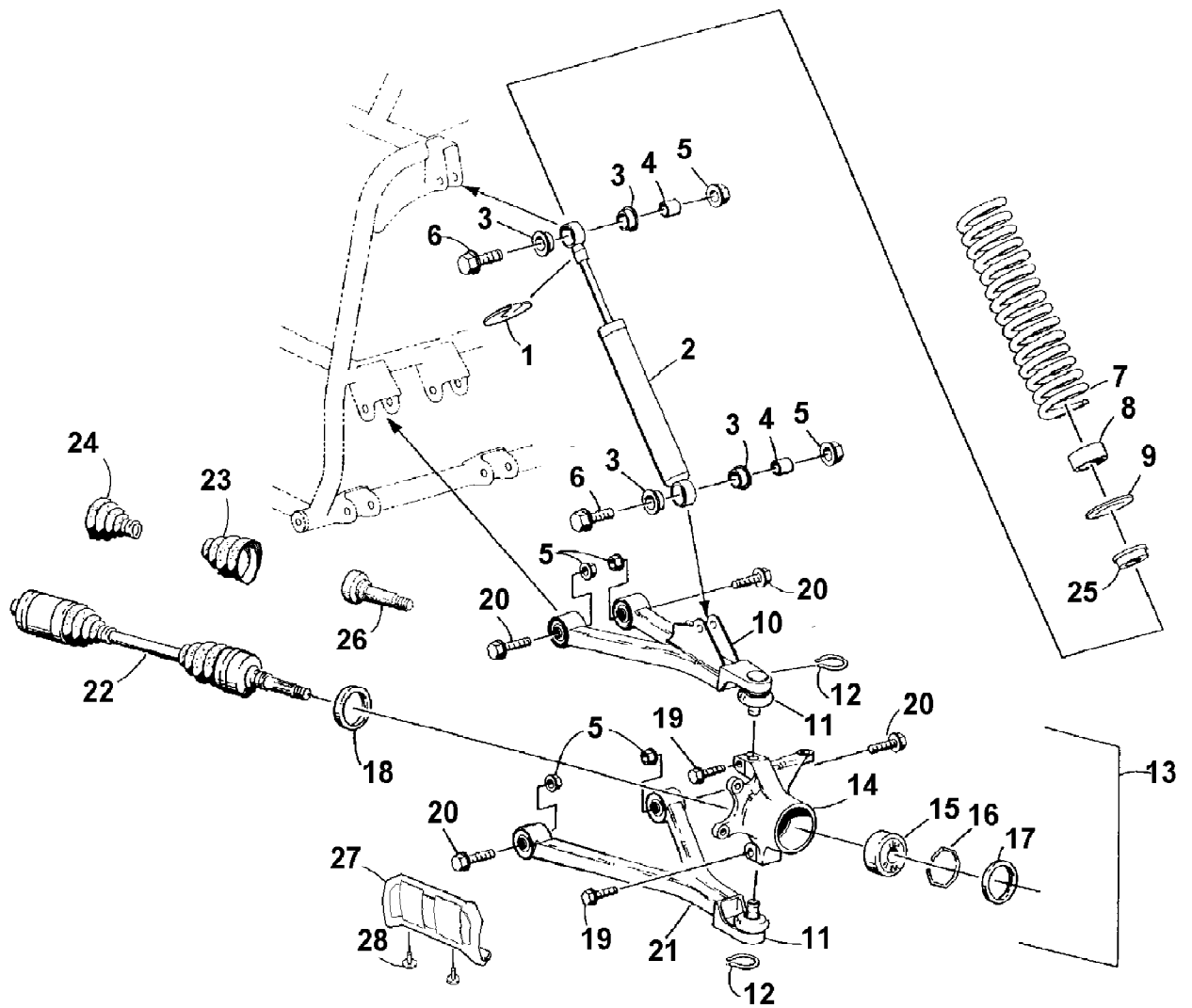




2001 300 2X4 RED (A2001ATF2AUSR) (ATV 250/300 CC)  
FRONT SHIFT LINKAGE ASSEMBLY

Page 42 of 89

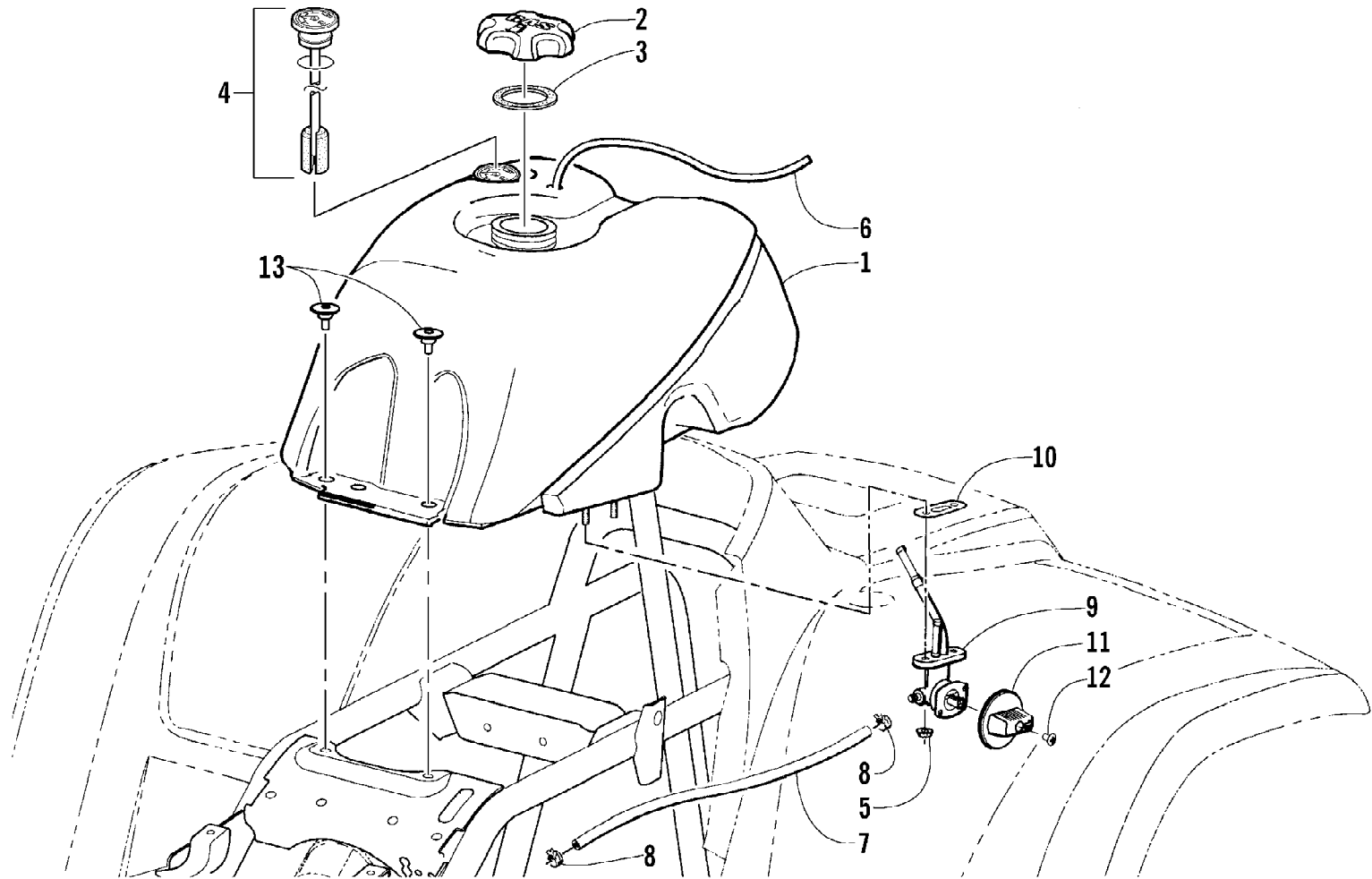
| Ref # | Part Number | Qty | S/P/F | Description            |
|-------|-------------|-----|-------|------------------------|
| 1     | 0502-160    | 1   |       | Linkage, Shift         |
| 2     | 0423-091    | 1   |       | Bushing, Shift Linkage |
| 3     | 8050-242    | 1   |       | Washer                 |
| 4     | 0623-846    | 1   |       | Pin, Cotter            |
| 5     | 0506-400    | 1   |       | Bracket, Shift Linkage |
| 6     | 0423-101    | 2   |       | Screw, Body            |
| 7     | 0406-363    | 2   |       | Bushing                |
| 8     | 0402-256    | 2   |       | Collar                 |
| 9     | 8476-630    | 2   |       | Screw, Machine         |
| 10    | 8050-222    | 2   | /P    | Washer                 |
| 11    | 0502-148    | 1   | S     | Arm, Select            |
| 12    | 8476-620    | 1   |       | Screw, Machine         |



2001 300 2X4 RED (A2001ATF2AUSR) (ATV 250/300 CC)  
FRONT SUSPENSION ASSEMBLY

Page 44 of 89

| Ref # | Part Number | Qty | S/P/F | Description                                 |
|-------|-------------|-----|-------|---|
| 1     | 0603-033    | 2   | S     | Retainer, Spring                            |
| 2     | 0403-036    | 2   |       | Shock Absorber - Front (inc. 3-4)           |
| 2     | 0403-015    | 2   |       | Shock Absorber - Front (inc. 3-4) (300 4X4) |
| 3     | 0604-310    | 8   |       | Bushing, Shock Absorber                     |
| 4     | 0403-028    | 4   |       | Sleeve, Shock                               |
| 5     | 8428-002    | 12  |       | Nut, Lock                                   |
| 6     | 8409-040    | 4   |       | Screw, Cap                                  |
| 7     | 0403-037    | 2   |       | Spring, Shock Absorber                      |
| 7     | 0403-022    | 2   |       | Spring, Shock Absorber (300 4X4)            |
| 8     | 0403-025    | 2   | /P    | Collar, Spring                              |
| 9     | 0403-013    | 2   |       | Washer, Spring                              |
| 10    | 0503-026    | 1   | S/P   | A-Arm, Upper Right - Assembly (inc. 11-12)  |
| 10    | 0503-027    | 1   | S/P   | A-Arm, Upper Left - Assembly (inc. 11-12)   |
| 11    | 0405-068    | 4   | S     | Ball Joint - Front                          |
| 12    | 0423-009    | 4   | /P    | Clip, Ball Joint                            |
| 13    | 0505-064    | 1   | S     | Knuckle - Assembly - Right (inc. 14-18)     |
| 13    | 0505-065    | 1   | S     | Knuckle - Assembly - Left (inc. 14-18)      |
| 14    | 0505-062    | 1   | S     | Knuckle, Steering - Right                   |
| 14    | 0505-063    | 1   | S     | Knuckle, Steering - Left                    |
| 15    | 0402-275    | 2   | /P    | Bearing, Wheel Hub - Front                  |
| 16    | 0423-034    | 2   |       | Clip, Bearing                               |
| 17    | 0402-089    | 2   |       | Seal, Wheel Bearing - Front                 |
| 18    | 0402-069    | 2   |       | Seal, Wheel Bearing - Front                 |
| 19    | 8409-030    | 4   |       | Screw, Cap                                  |
| 20    | 8409-060    | 8   |       | Screw, Cap                                  |
| 21    | 0503-036    | 1   | S     | A-Arm, Lower Right (inc. 11-12) (250 2X4)   |
| 21    | 0503-037    | 1   | S     | A-Arm, Lower Left (inc. 11-12) (250 2X4)    |
| 21    | 0503-037    | 1   | S     | A-Arm, Lower Right (inc. 11-12) (300 2X4)   |
| 21    | 0503-036    | 1   | S     | A-Arm, Lower Left (inc. 11-12) (300 2X4)    |
| 21    | 0503-092    | 1   | S     | A-Arm, Lower Right (inc. 11-12) (4X4)       |
| 21    | 0503-093    | 1   | S     | A-Arm, Lower Left (inc. 11-12) (4X4)        |
| 22    | 0402-179    | 1   | S     | Axle, Drive - Front Right (4X4)             |
| 22    | 0402-249    | 1   | S     | Axle, Drive - Front Left (4X4)              |
| 23    | 0436-114    | 2   | S     | Repair Kit, Outer Boot - Front Axle (4X4)   |
| 24    | 0436-113    | 2   | S     | Repair Kit, Inner Boot - Front Axle (4X4)   |
| 25    | 0403-027    | 2   |       | Retainer, Spring - Lower                    |
| 26    | 0402-183    | 2   |       | Axle, Stub (2X4)                            |
| 27    | 0406-656    | 2   |       | Guard, Boot - Front Axle                    |
| 28    | 0423-101    | 4   |       | Screw, Body                                 |

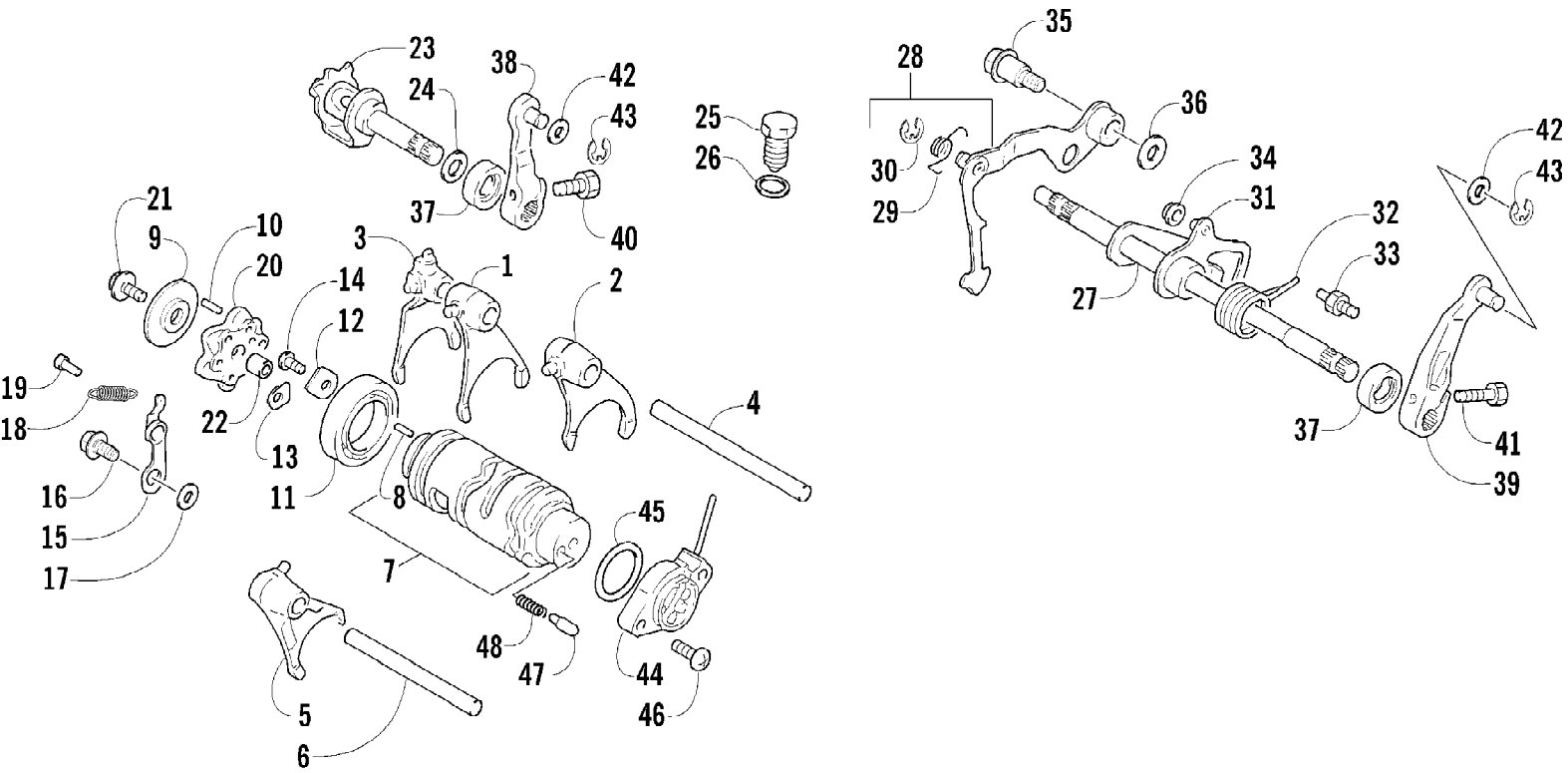


2001 300 2X4 RED (A2001ATF2AUSR) (ATV 250/300 CC)  
 GAS TANK ASSEMBLY

Page 46 of 89

| Ref # | Part Number | Qty | S/P/F | Description                      |
|-------|-------------|-----|-------|----------------------------------|
| 1     | 0570-035    | 1   | S     | Tank, Gas - Assembly (inc. 2-12) |
| 2     | 0470-438    | 1   | /P/F  | Cap, Gas (inc. 3)                |
| 3     | 0109-733    | 1   | /P/F  | Gasket, Gas Cap                  |
| 4     | 0470-444    | 1   | S/F   | Gauge, Fuel w/Gasket (Press-Fit) |
| 5     | 0624-250    | 2   | F     | Nut, Lock                        |
| 6     | 0470-381    | 1   | S     | Hose, Vent                       |
| 7     | 0610-007    | AR  | /P    | Hose, Gasline - 25 ft            |
| 8     | 0423-152    | 2   |       | Clamp, Hose - Spring             |
| 9     | 0470-401    | 1   | S     | Valve, Fuel Shut-Off (inc. 10)   |
| 10    | 0470-364    | 1   |       | Gasket, Fuel Shut-Off Valve      |
| 11    | 0470-408    | 1   |       | Knob, Fuel Shut-Off Valve        |
| 12    | 0423-146    | 1   |       | Screw, Fuel Shut-Off Valve Knob  |
| 13    | 0423-130    | 2   |       | Screw, Gas Tank                  |

2001 300 2X4 RED (A2001ATF2AUSR) (ATV 250/300 CC)  
GEAR SHIFTING ASSEMBLY

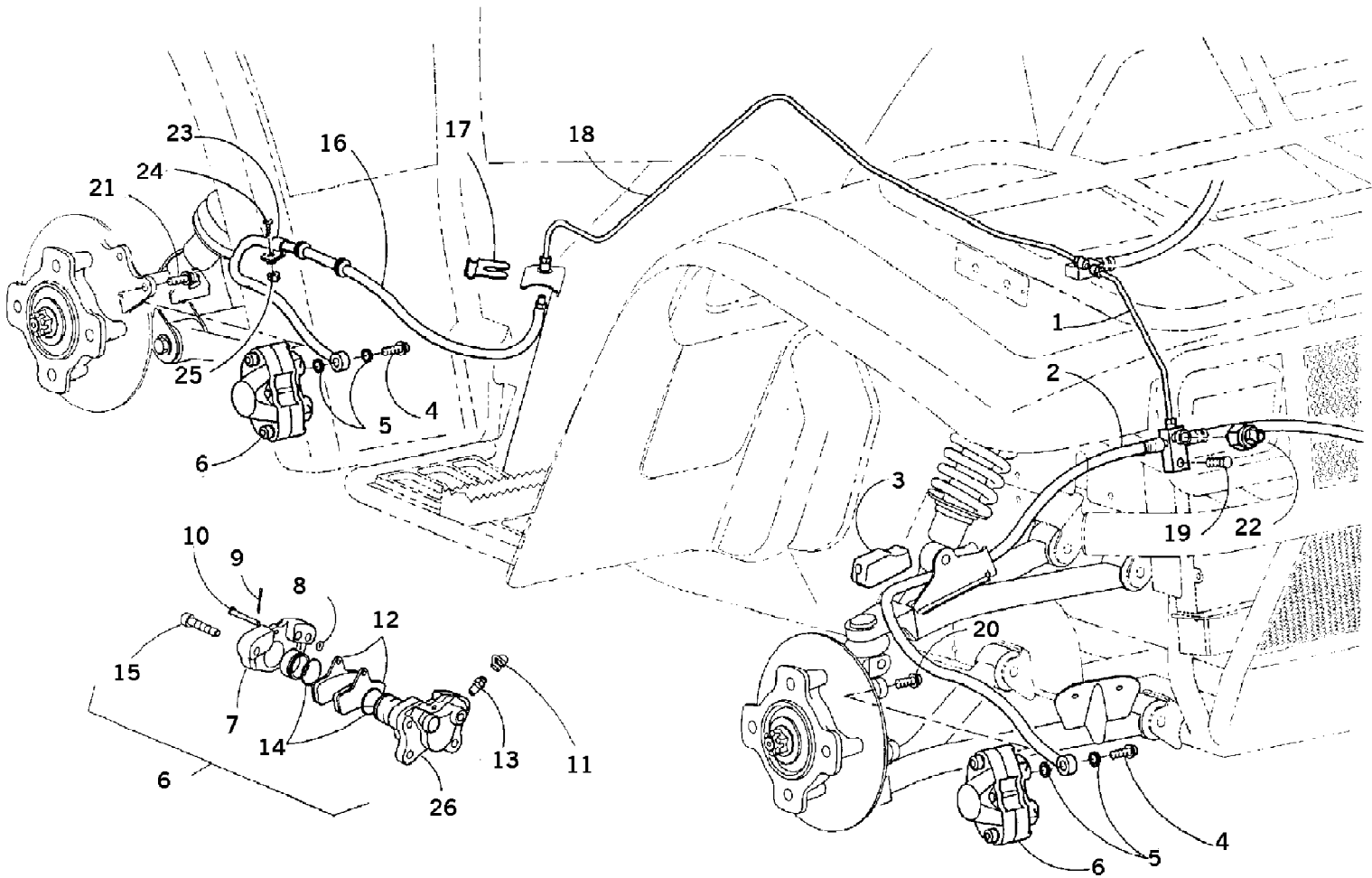


2001 300 2X4 RED (A2001ATF2AUSR) (ATV 250/300 CC)  
GEAR SHIFTING ASSEMBLY

Page 48 of 89

| Ref # | Part Number | Qty | S/P/F | Description                     |
|-------|-------------|-----|-------|---------------------------------|
| 1     | 3446-155    | 1   |       | Fork, Gear Shifting             |
| 2     | 3446-156    | 1   |       | Fork, Gear Shifting             |
| 3     | 3446-159    | 1   |       | Fork, Gear Shifting             |
| 4     | 3446-167    | 1   |       | Shaft                           |
| 5     | 3446-157    | 1   |       | Fork, Gear Shifting             |
| 6     | 3446-051    | 1   |       | Shaft                           |
| 7     | 3446-160    | 1   |       | Cam, Gear Shifting (inc. 8)     |
| 8     | 3423-114    | 1   | /P    | Pin                             |
| 9     | 3446-162    | 1   |       | Retainer, Pin                   |
| 10    | 3423-045    | 6   |       | Pin                             |
| 11    | 3402-051    | 1   |       | Bearing                         |
| 12    | 3446-163    | 1   |       | Retainer                        |
| 13    | 3446-031    | 1   | /P    | Retainer                        |
| 14    | 3004-552    | 2   | S     | Screw, Cap                      |
| 15    | 3446-165    | 1   |       | Stopper, Cam                    |
| 16    | 3423-240    | 1   |       | Screw, Cap                      |
| 17    | 3423-141    | 1   |       | Washer                          |
| 18    | 3402-240    | 1   |       | Spring                          |
| 19    | 3423-268    | 1   |       | Pin                             |
| 20    | 3446-166    | 1   |       | Plate, Stopper                  |
| 21    | 3004-376    | 1   | S/P   | Screw, Cap                      |
| 22    | 3005-206    | 1   | /P    | Pin                             |
| 23    | 3446-161    | 1   |       | Cam, Reverse Shifting           |
| 24    | 3423-322    | 1   |       | Washer                          |
| 25    | 3446-164    | 1   |       | Stopper, Cam                    |
| 26    | 3402-012    | 1   |       | Gasket                          |
| 27    | 3446-169    | 1   |       | Shaft, Gear Shifting            |
| 28    | 3446-170    | 1   |       | Arm, Gear Shifting (inc. 29-30) |
| 29    | 3402-312    | 1   |       | Spring                          |
| 30    | 3423-368    | 1   | /P    | E-Ring (250)                    |
| 30    | 3423-323    | 1   |       | E-Ring (300)                    |
| 31    | 3446-171    | 1   |       | Arm, Link                       |
| 32    | 3402-094    | 1   |       | Spring                          |
| 33    | 3446-172    | 1   |       | Stopper, Arm                    |
| 34    | 3402-132    | 1   |       | Roller                          |
| 35    | 3423-233    | 1   |       | Screw, Cap                      |
| 36    | 3423-324    | 1   |       | Washer                          |
| 37    | 3402-076    | 2   |       | Seal, Oil                       |
| 38    | 3446-055    | 1   |       | Arm                             |
| 39    | 3446-115    | 1   |       | Arm, Gear Shifting Cable        |
| 40    | 3423-125    | 1   | S     | Screw, Cap                      |
| 41    | 3423-228    | 1   |       | Screw, Cap                      |
| 42    | 3423-204    | 2   | /P    | Washer                          |
| 43    | 3423-168    | 2   | S     | E-Ring                          |
| 44    | 3430-032    | 1   | S     | Base, Gear Shift - Assembly     |
| 45    | 3423-273    | 1   |       | O-Ring                          |
| 46    | 3423-325    | 2   | S     | Screw, Cap                      |
| 47    | 3423-044    | 1   |       | Contact                         |
| 48    | 3402-087    | 1   |       | Spring                          |

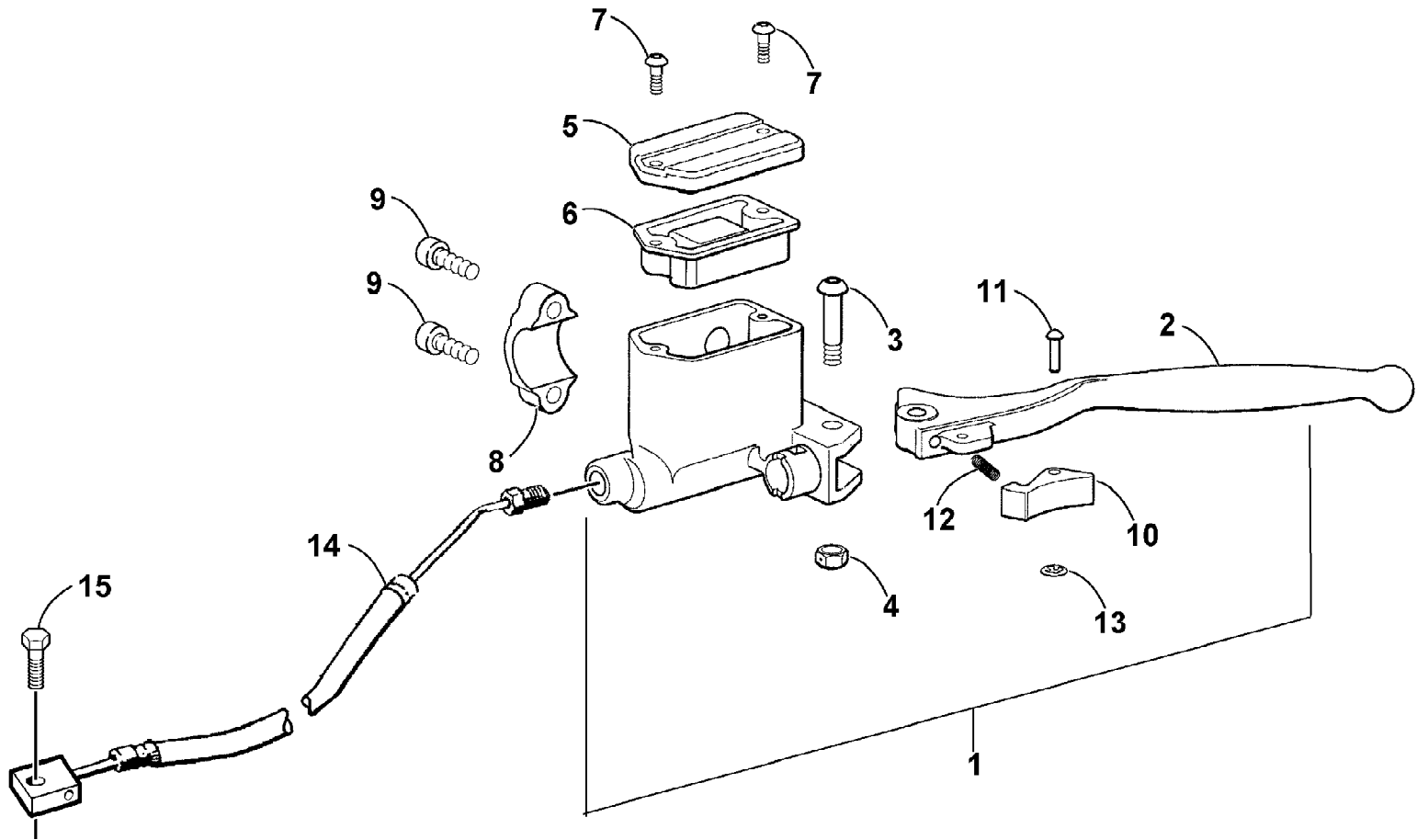




2001 300 2X4 RED (A2001ATF2AUSR) (ATV 250/300 CC)  
HYDRAULIC BRAKE ASSEMBLY

Page 50 of 89

| Ref # | Part Number | Qty | S/P/F | Description   |
|-------|-------------|-----|-------|---|
| 1     | 0402-053    | 1   |       | Tube, Brakeline - Front (2X4)                           |
| 1     | 0402-373    | 1   |       | Tube, Brakeline - Front (4X4)                           |
| 2     | 0402-051    | 1   | S     | Hose, Brake - Front (2X4)                               |
| 2     | 0402-307    | 1   |       | Hose, Brake - Front (4X4)                               |
| 3     | 0402-073    | 2   |       | Block, Mounting   |
| 4     | 0423-038    | 3   | S     | Bolt, Oil   |
| 5     | 0423-039    | 6   |       | Washer, Crush   |
| 6     | 0402-488    | 1   | S     | Caliper, Brake - Right Front (inc. 7-15 and 26)         |
| 6     | 0402-489    | 2   | S     | Caliper, Brake - Left Front and Rear (inc. 7-15 and 26) |
| 7     | 0           | 3   | F     | Housing, Caliper  |
| 8     | 0402-490    | 3   |       | O-Ring  |
| 9     | 0402-496    | 3   | S     | Pin, Cotter   |
| 10    | 0402-495    | 3   |       | Pin, Brake Caliper                                      |
| 11    | 0402-493    | 3   |       | Cap, Bleeder Valve                                      |
| 12    | 0402-494    | 6   | S     | Pad, Brake  |
| 13    | 0402-491    | 3   | S     | Valve, Bleeder  |
| 14    | 0402-487    | 6   |       | O-Ring, Brake Caliper                                   |
| 15    | 0402-492    | 6   |       | Screw, Socket Head                                      |
| 16    | 0402-254    | 1   | S     | Hose, Brake - Rear                                      |
| 17    | 0402-597    | 1   | /P    | Clip, Brakeline   |
| 18    | 0402-170    | 1   |       | Tube, Brakeline - Rear                                  |
| 19    | 8476-625    | 2   |       | Screw, Machine  |
| 20    | 8408-825    | 6   |       | Screw, Cap  |
| 21    | 8408-820    | 2   | /P    | Screw, Cap  |
| 22    | 0402-306    | 1   | /P    | Switch, Brake Pressure (4X4)                            |
| 23    | 0123-269    | 1   |       | Clamp, Cable  |
| 24    | 8476-612    | 1   |       | Screw, Machine  |
| 25    | 0624-250    | 1   |       | Nut   |
| 26    | 0           | 1   | F     | Housing, Caliper  |

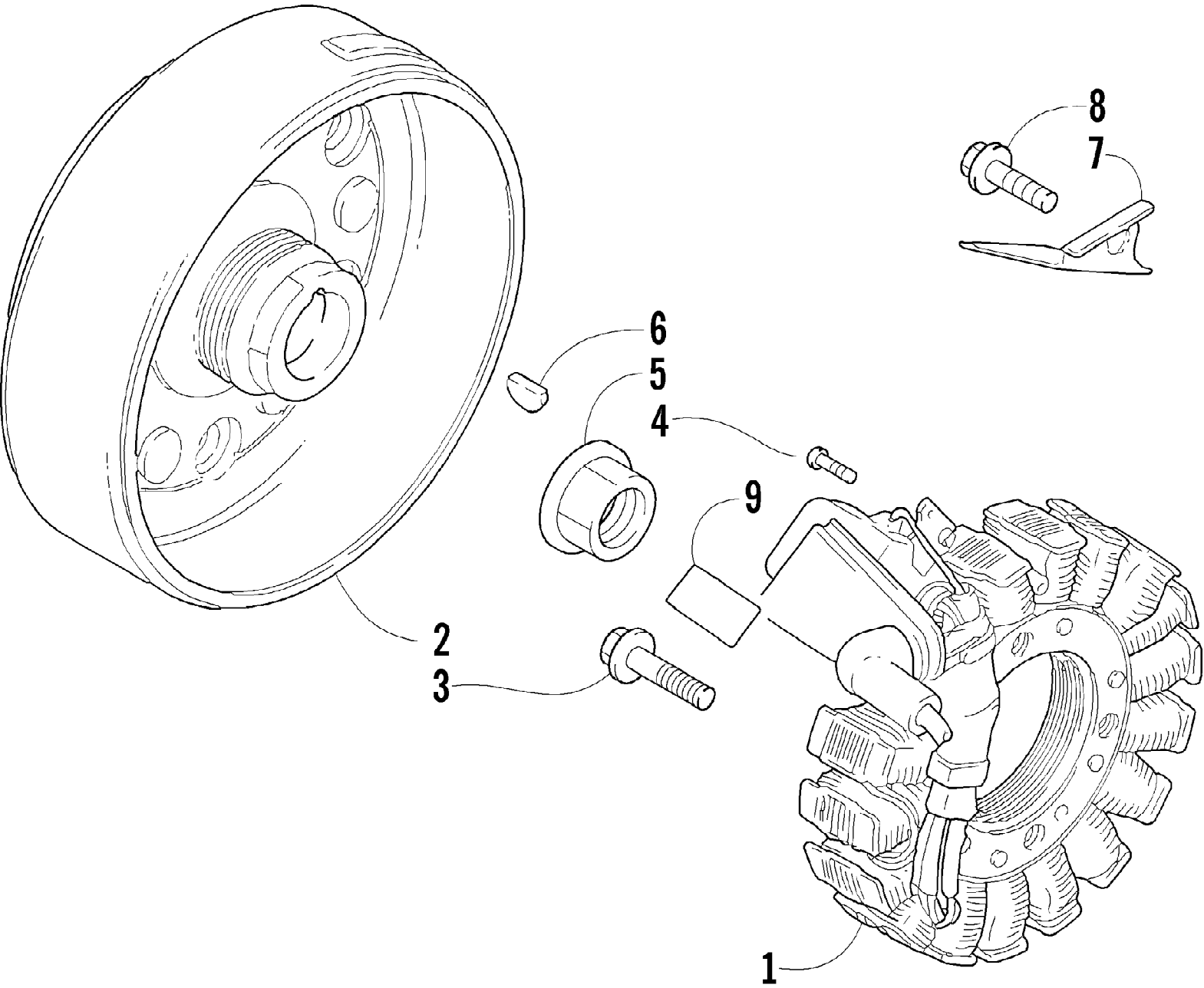


2001 300 2X4 RED (A2001ATF2AUSR) (ATV 250/300 CC)  
HYDRAULIC HAND BRAKE ASSEMBLY

Page 52 of 89

| Ref # | Part Number | Qty | S/P/F | Description                             |
|-------|-------------|-----|-------|---|
| 1     | 0502-073    | 1   | S     | Cylinder, Master - Assembly (inc. 2-13) |
| 2     | 0402-542    | 1   | S     | Lever, Brake                            |
| 3     | 0402-549    | 1   | S     | Screw                                   |
| 4     | 0402-557    | 1   | S     | Nut, Lock                               |
| 5     | 0402-544    | 1   |       | Cover, Reservoir                        |
| 6     | 0402-553    | 1   |       | Bladder, Reservoir                      |
| 7     | 0402-545    | 2   |       | Screw                                   |
| 8     | 0402-558    | 1   | S     | Clamp, Master Cylinder                  |
| 9     | 0402-562    | 2   | S     | Screw                                   |
| 10    | 0402-546    | 1   | S     | Lever, Brake - Lock                     |
| 11    | 0402-547    | 1   | S     | Rivet                                   |
| 12    | 0402-559    | 1   |       | Spring, Lever Lock                      |
| 13    | 0402-561    | 1   | S     | Washer, Lock - Retaining                |
| 14    | 0402-050    | 1   | S     | Hose, Brakeline                         |
| 15    | 8476-625    | 1   |       | Screw, Machine                          |

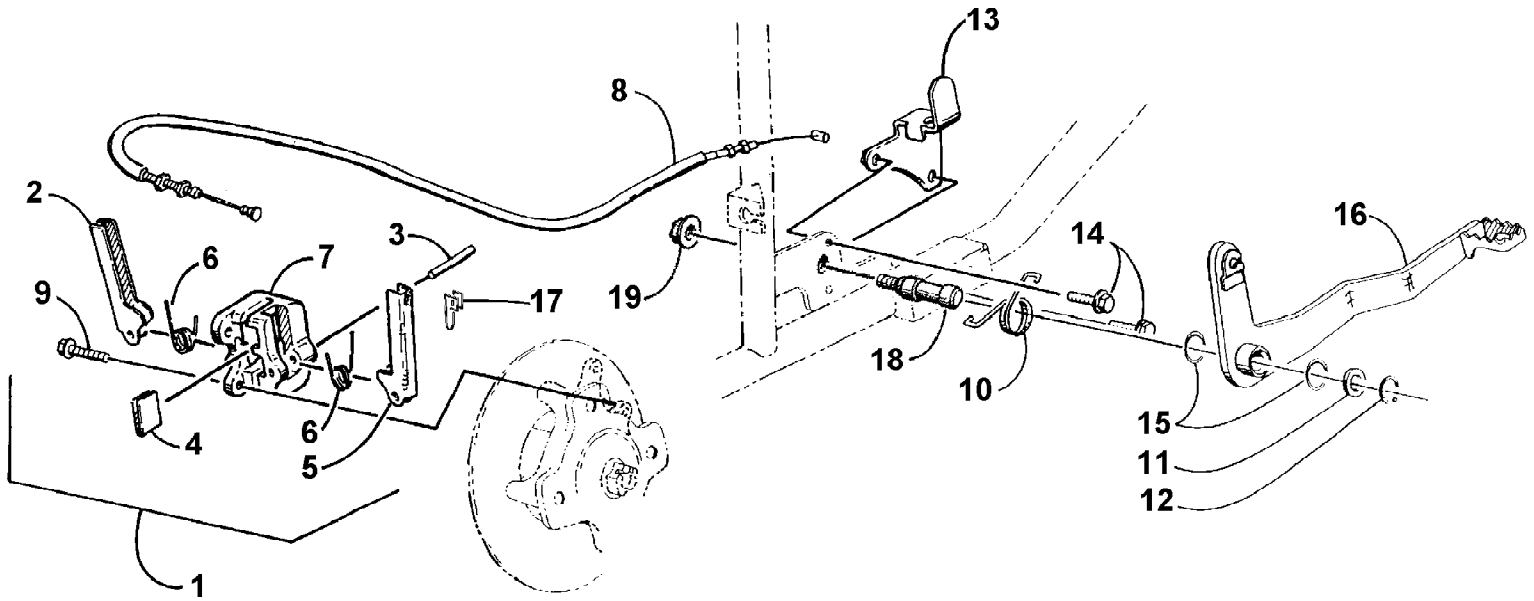
2001 300 2X4 RED (A2001ATF2AUSR) (ATV 250/300 CC)  
MAGNETO ASSEMBLY



2001 300 2X4 RED (A2001ATF2AUSR) (ATV 250/300 CC)  
MAGNETO ASSEMBLY

Page 54 of 89

| Ref # | Part Number | Qty | S/P/F | Description            |
|-------|-------------|-----|-------|------------------------|
| 1     | 3430-021    | 1   | S     | Stator - Assembly      |
| 2     | 3430-039    | 1   |       | Rotor/Flywheel (250)   |
| 2     | 3430-022    | 1   |       | Rotor/Flywheel (300)   |
| 3     | 3004-756    | 3   | S     | Bolt, Magneto          |
| 4     | 3423-326    | 2   | S     | Screw, Cap             |
| 5     | 3423-086    | 1   |       | Nut, Magneto           |
| 6     | 3004-540    | 1   | /P    | Key                    |
| 7     | 3430-023    | 1   |       | Plate                  |
| 8     | 3423-112    | 1   | S     | Screw, Cap             |
| 9     | 3430-036    | 1   |       | Sheet, Heat Protection |

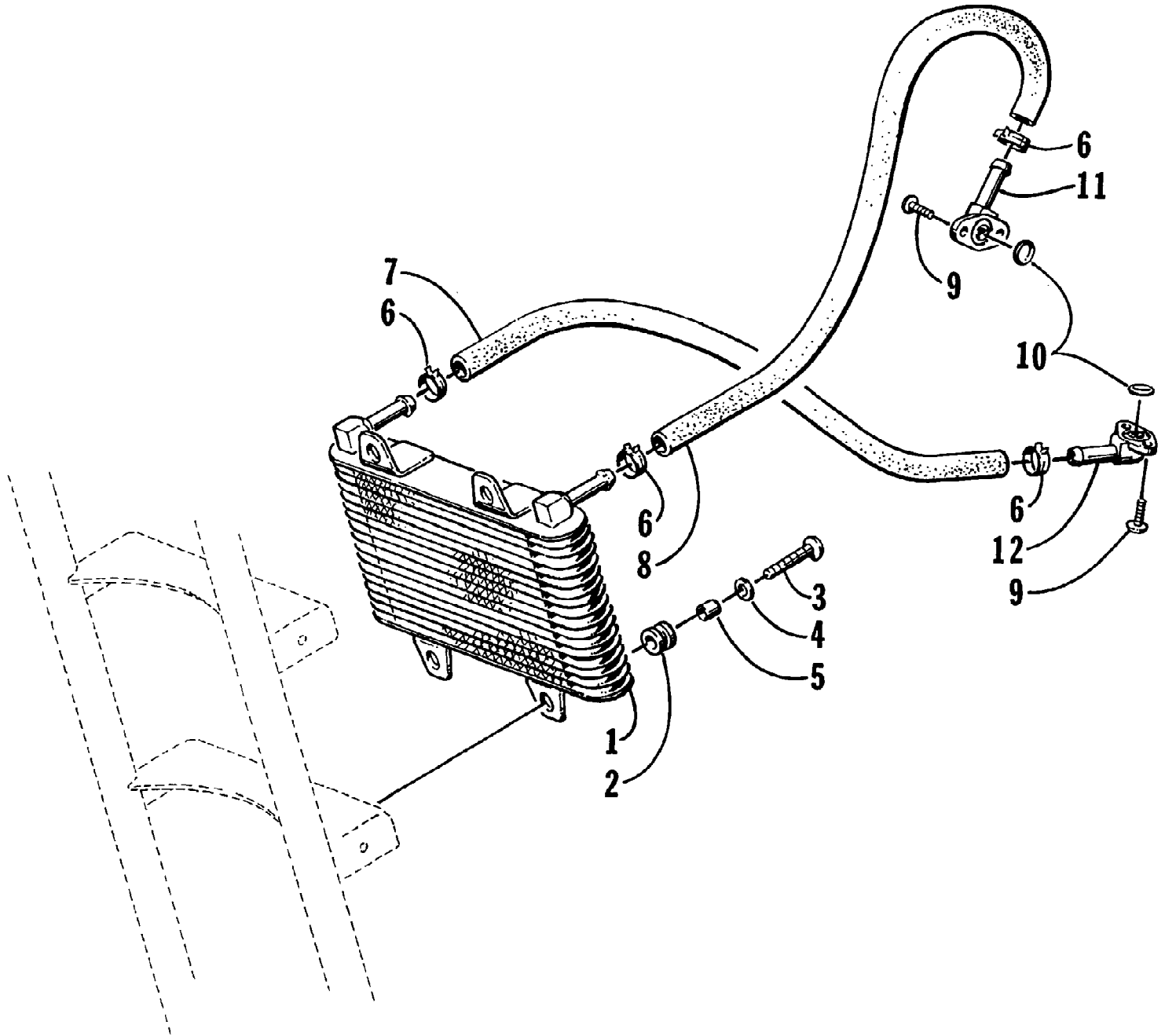


2001 300 2X4 RED (A2001ATF2AUSR) (ATV 250/300 CC)  
MECHANICAL BRAKE ASSEMBLY

Page 56 of 89

| Ref # | Part Number | Qty | S/P/F | Description                          |
|-------|-------------|-----|-------|--------------------------------------|
| 1     | 0502-115    | 1   | S     | Mechanical Brake Assembly (inc. 2-7) |
| 2     | 0           | 1   | F     | Arm, Inner                           |
| 3     | 0           | 2   | F     | Pin, Arm                             |
| 4     | 0402-210    | 2   | S     | Pad, Brake                           |
| 5     | 0           | 1   | F     | Arm, Outer                           |
| 6     | 0           | 2   | F     | Spring, Arm                          |
| 7     | 0           | 1   | F     | Housing, Brake                       |
| 8     | 0487-010    | 1   |       | Cable, Brake - Rear                  |
| 9     | 8408-825    | 2   |       | Screw, Cap                           |
| 10    | 0402-161    | 1   | S/P   | Spring, Brake                        |
| 11    | 0423-027    | 1   |       | Washer, Brake Lever                  |
| 12    | 0623-237    | 1   | /P    | Ring, Snap                           |
| 13    | 0502-056    | 1   |       | Bracket, Brake Switch                |
| 14    | 8476-616    | 2   |       | Screw, Cap                           |
| 15    | 0670-183    | 2   |       | O-Ring                               |
| 16    | 0502-095    | 1   | /P    | Lever, Brake                         |
| 17    | 0402-379    | 1   |       | Wire Form - Cable                    |
| 18    | 0406-562    | 1   |       | Axle, Foot Brake                     |
| 19    | 0423-165    | 1   |       | Nut                                  |

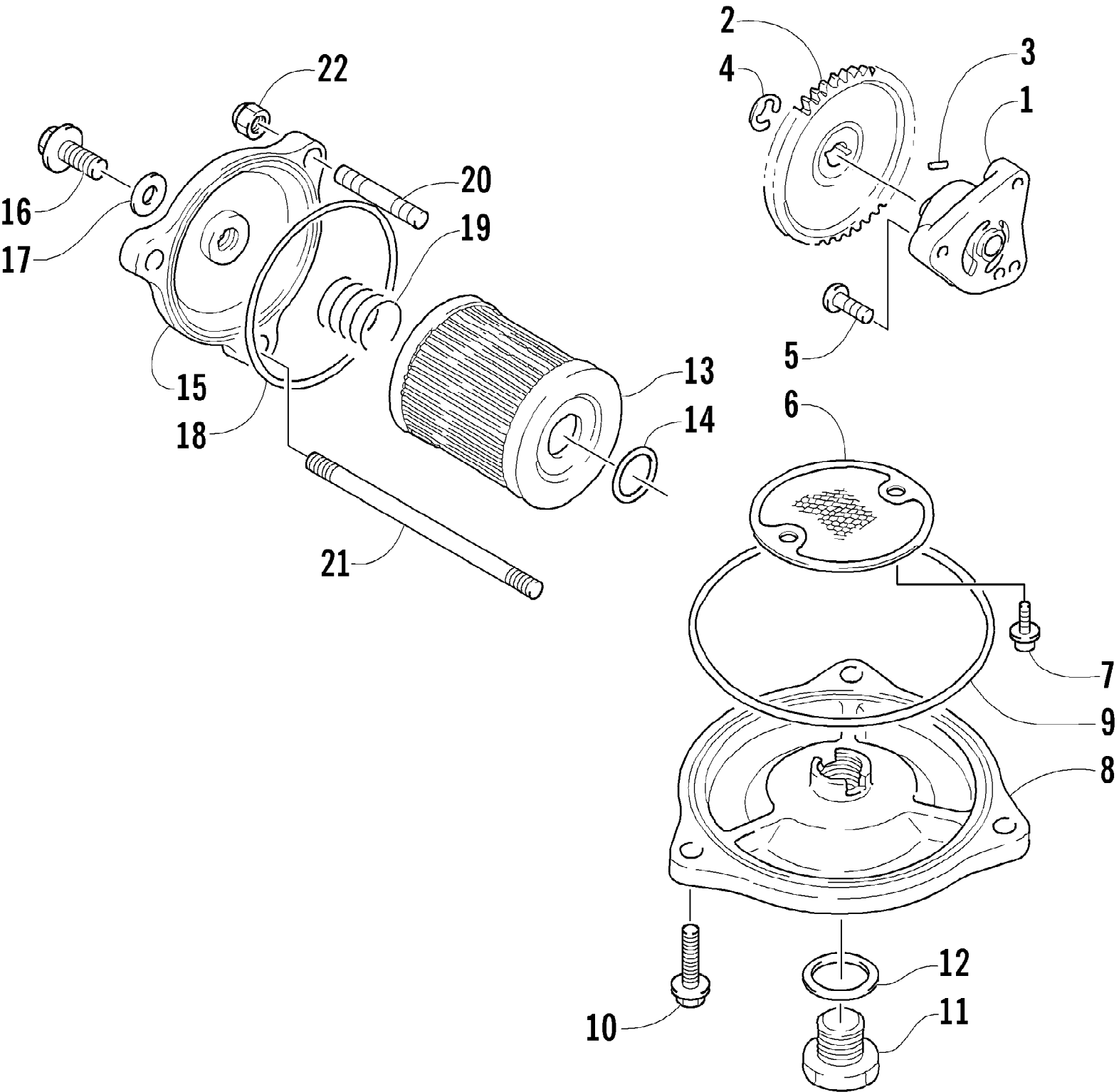




2001 300 2X4 RED (A2001ATF2AUSR) (ATV 250/300 CC)  
OIL COOLER ASSEMBLY

Page 58 of 89

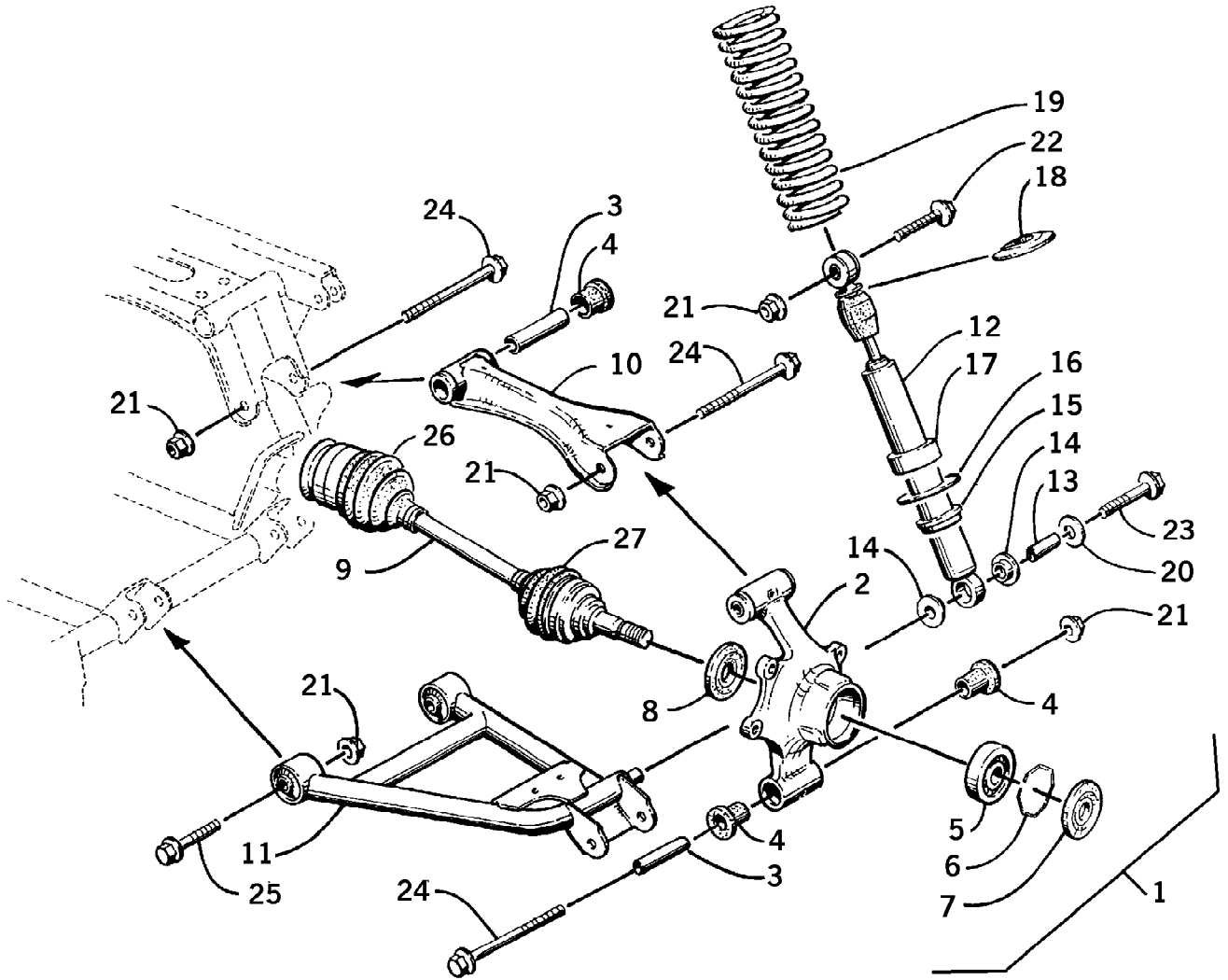
| Ref # | Part Number | Qty | S/P/F | Description           |
|-------|-------------|-----|-------|-----------------------|
| 1     | 0413-011    | 1   | /P    | Cooler, Oil           |
| 2     | 0423-086    | 4   |       | Grommet               |
| 3     | 8476-620    | 4   |       | Screw, Cap            |
| 4     | 8050-217    | 4   | /P    | Washer                |
| 5     | 0423-036    | 4   |       | Collar                |
| 6     | 0423-098    | 4   | /P    | Clamp, Hose           |
| 7     | 0410-006    | 1   |       | Hose, Oil - Output    |
| 8     | 0410-007    | 1   |       | Hose, Oil - Input     |
| 9     | 8471-616    | 4   |       | Screw, Cap            |
| 10    | 0423-089    | 2   |       | O-Ring, Oil Fitting   |
| 11    | 0410-012    | 1   |       | Fitting, Oil - Angled |
| 12    | 0410-013    | 1   |       | Fitting, Oil          |



2001 300 2X4 RED (A2001ATF2AUSR) (ATV 250/300 CC)  
OIL PUMP ASSEMBLY

Page 60 of 89

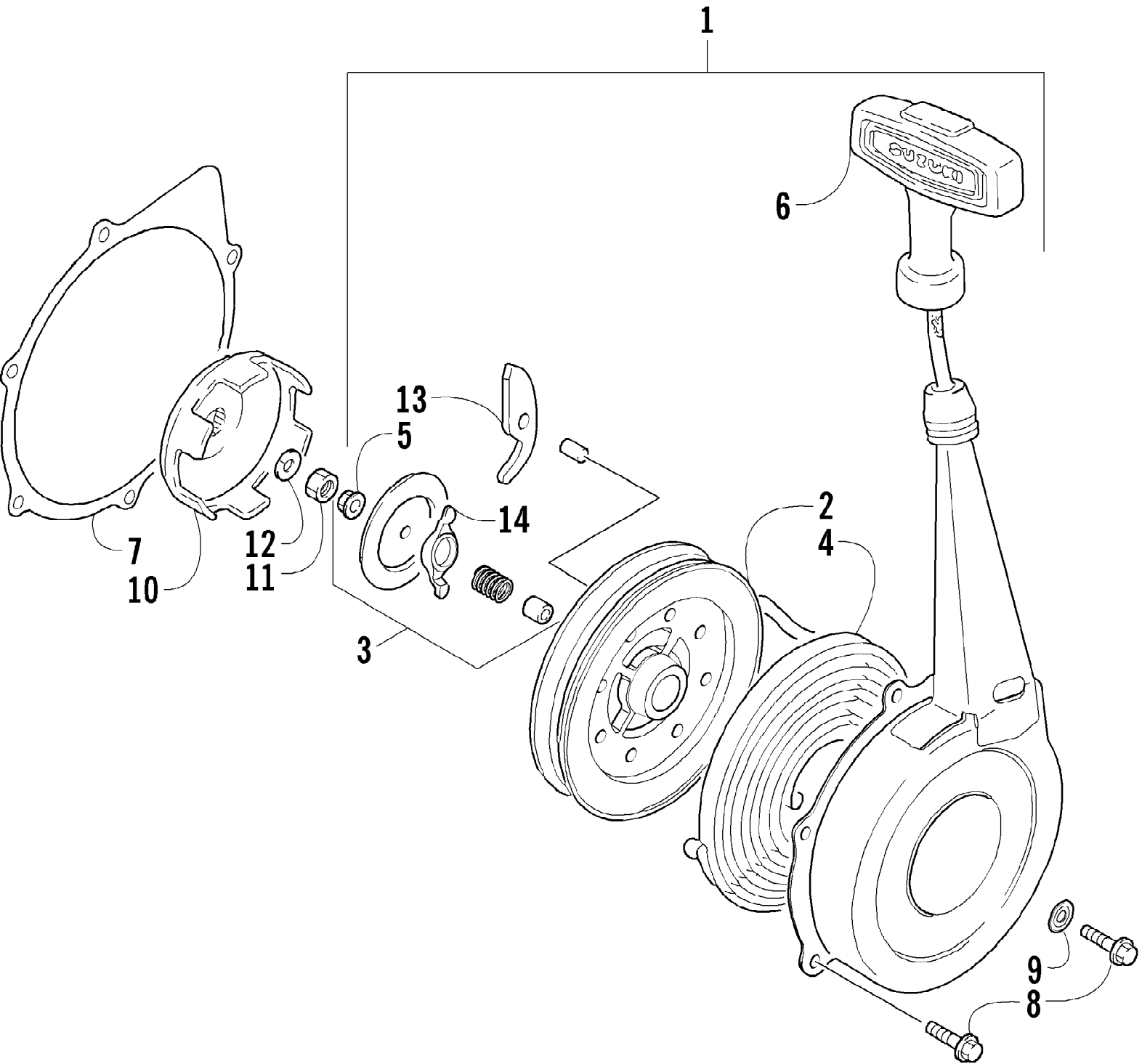
| Ref # | Part Number | Qty | S/P/F | Description          |
|-------|-------------|-----|-------|----------------------|
| 1     | 3445-017    | 1   |       | Pump, Engine Oil     |
| 2     | 3402-302    | 1   |       | Gear, Driven         |
| 3     | 3423-285    | 1   |       | Pin                  |
| 4     | 3423-168    | 1   | S     | Circlip              |
| 5     | 3004-402    | 3   | S/P   | Screw, Cap           |
| 6     | 3402-304    | 1   |       | Strainer, Engine Oil |
| 7     | 0693-389    | 2   | S     | Screw, Cap           |
| 8     | 3402-305    | 1   |       | Cap, Oil Strainer    |
| 9     | 3423-278    | 1   |       | O-Ring               |
| 10    | 3004-507    | 3   | S     | Screw, Cap           |
| 11    | 3402-037    | 1   |       | Plug, Drain (250)    |
| 11    | 3402-036    | 1   | S     | Plug, Drain (300)    |
| 12    | 3402-012    | 1   |       | Gasket               |
| 13    | 3436-005    | 1   |       | Filter, Engine Oil   |
| 14    | 3423-270    | 1   |       | O-Ring               |
| 15    | 3402-303    | 1   |       | Cap, Oil Filter      |
| 16    | 3004-705    | 1   | S     | Plug, Oil Check      |
| 17    | 3005-242    | 1   |       | Gasket               |
| 18    | 3423-277    | 1   |       | O-Ring               |
| 19    | 3402-238    | 1   |       | Spring               |
| 20    | 3423-314    | 2   | S     | Bolt, Stud           |
| 21    | 3004-543    | 1   | S     | Bolt, Stud           |
| 22    | 3423-315    | 3   | S     | Nut                  |



2001 300 2X4 RED (A2001ATF2AUSR) (ATV 250/300 CC)  
 REAR SUSPENSION ASSEMBLY

Page 62 of 89

| Ref # | Part Number | Qty | S/P/F | Description                                    |
|-------|-------------|-----|-------|--|
| 1     | 0504-056    | 1   | S     | Knuckle, Right Rear - Assembly (inc. 2and 5-8) |
| 1     | 0504-057    | 1   | S     | Knuckle, Left Rear - Assembly (inc. 2and 5-8)  |
| 2     | 0504-042    | 1   | S     | Knuckle - Right                                |
| 2     | 0504-043    | 1   | S     | Knuckle - Left                                 |
| 3     | 0403-038    | 6   | S/P   | Collar, Suspension Bushing                     |
| 4     | 0403-032    | 12  | S     | Bushing, Suspension                            |
| 5     | 0402-275    | 2   | /P    | Bearing, Wheel                                 |
| 6     | 0423-034    | 2   |       | Clip, Bearing                                  |
| 7     | 0402-089    | 2   |       | Seal   |
| 8     | 0402-069    | 2   |       | Seal   |
| 9     | 0402-171    | 2   | S     | Axle, Drive                                    |
| 10    | 0504-044    | 2   |       | Arm, Rear - Upper                              |
| 11    | 0504-030    | 1   |       | A-Arm, Rear - Lower Right                      |
| 11    | 0504-031    | 1   |       | A-Arm, Rear - Lower Left                       |
| 12    | 0404-014    | 2   |       | Shock Absorber - Rear                          |
| 13    | 0403-028    | 4   |       | Sleeve, Shock Absorber                         |
| 14    | 0604-310    | 8   |       | Bushing, Shock Absorber                        |
| 15    | 0403-027    | 2   |       | Retainer, Spring - Lower                       |
| 16    | 0403-013    | 2   |       | Washer, Spring Adjust                          |
| 17    | 0403-025    | 2   | /P    | Collar, Spring                                 |
| 18    | 0603-033    | 2   | S     | Retainer, Spring                               |
| 19    | 0403-002    | 2   |       | Spring, Suspension                             |
| 20    | 0423-087    | 2   |       | Washer   |
| 21    | 8428-002    | 12  |       | Nut, Lock                                      |
| 22    | 8409-040    | 2   |       | Screw, Cap                                     |
| 23    | 8408-820    | 2   | /P    | Screw, Cap                                     |
| 24    | 8409-000    | 6   |       | Screw, Cap                                     |
| 25    | 8409-060    | 4   |       | Screw, Cap                                     |
| 26    | 0436-113    | 2   | S     | Repair Kit, Inner Boot - Rear Axle             |
| 27    | 0436-114    | 2   | S     | Repair Kit, Outer Boot - Rear Axle             |



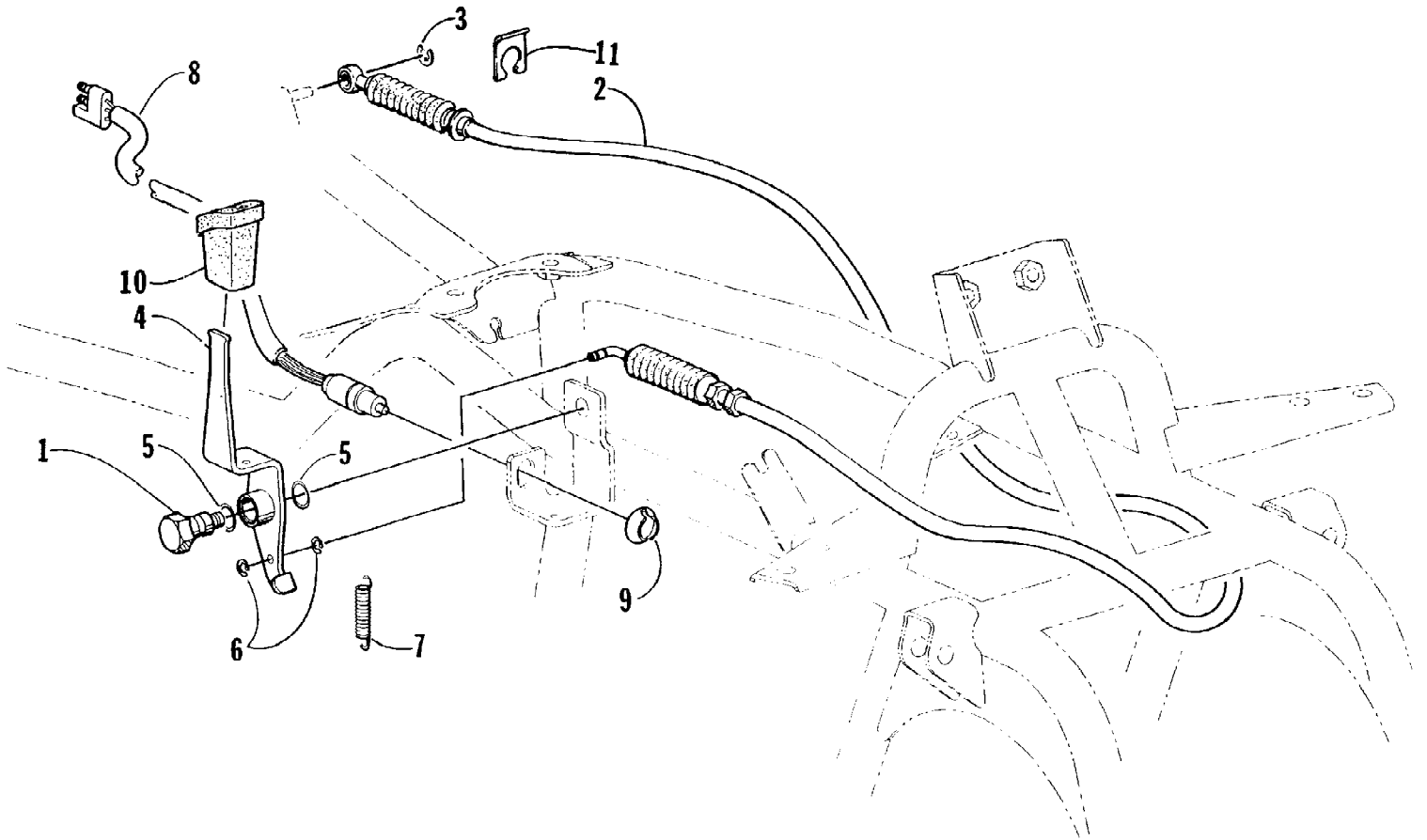
2001 300 2X4 RED (A2001ATF2AUSR) (ATV 250/300 CC)  
 RECOIL STARTER ASSEMBLY

Page 64 of 89

| Ref # | Part Number | Qty | S/P/F | Description                                     |
|-------|-------------|-----|-------|---|
| 1     | 3445-018    | 1   | S     | Starter, Recoil - Assembly (inc. 2-6 and 13-14) |
| 2     | 3445-019    | 1   |       | Reel  |
| 3     | 3445-016    | 1   |       | Ratchet - Assembly (inc. 13-14)                 |
| 4     | 3445-007    | 1   |       | Spring, Spiral                                  |
| 5     | 3004-488    | 1   | S/P   | Nut   |
| 6     | 3445-020    | 1   |       | Rope Assembly                                   |
| 7     | 3445-021    | 1   | S     | Gasket, Recoil                                  |
| 8     | 3423-112    | 6   | S     | Screw, Cap                                      |
| 9     | 3003-290    | 1   | /P    | Gasket  |
| 10    | 3445-022    | 1   |       | Cup, Starter                                    |
| 11    | 3004-336    | 1   | S/P   | Nut   |
| 12    | 3004-362    | 1   | S/P   | Washer, Lock                                    |
| 13    | 3445-005    | 1   |       | Ratchet   |
| 14    | 3445-006    | 1   |       | Guide, Ratchet                                  |



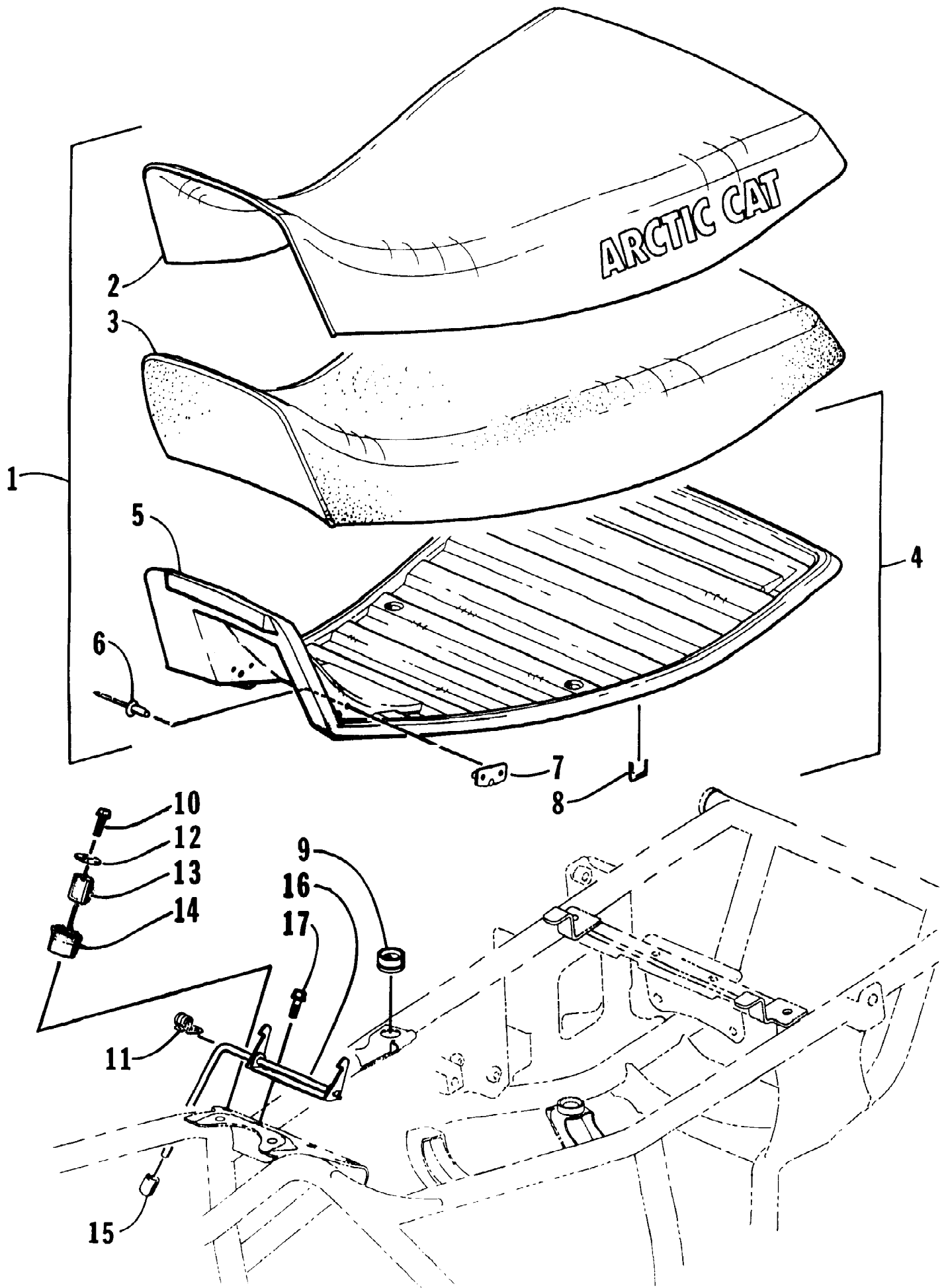
2001 300 2X4 RED (A2001ATF2AUSR) (ATV 250/300 CC)  
REVERSE SHIFT LEVER ASSEMBLY



2001 300 2X4 RED (A2001ATF2AUSR) (ATV 250/300 CC)  
REVERSE SHIFT LEVER ASSEMBLY

Page 66 of 89

| Ref # | Part Number | Qty | S/P/F | Description                 |
|-------|-------------|-----|-------|-----------------------------|
| 1     | 0402-239    | 1   |       | Axle, Reverse Shift         |
| 2     | 0487-009    | 1   |       | Cable, Shift                |
| 3     | 3423-168    | 1   | S     | E-Ring                      |
| 4     | 0502-219    | 1   | S     | Lever, Reverse              |
| 5     | 0423-096    | 2   |       | O-Ring                      |
| 6     | 0423-063    | 2   |       | E-Ring                      |
| 7     | 0402-802    | 1   | /P    | Spring, Reverse Lever       |
| 8     | 0409-008    | 1   |       | Reverse Switch              |
| 9     | 0402-168    | 1   | /P    | Retainer, Switch            |
| 10    | 0402-062    | 1   |       | Handle, Reverse Shift Lever |
| 11    | 3423-282    | 1   |       | Clip, Cable                 |

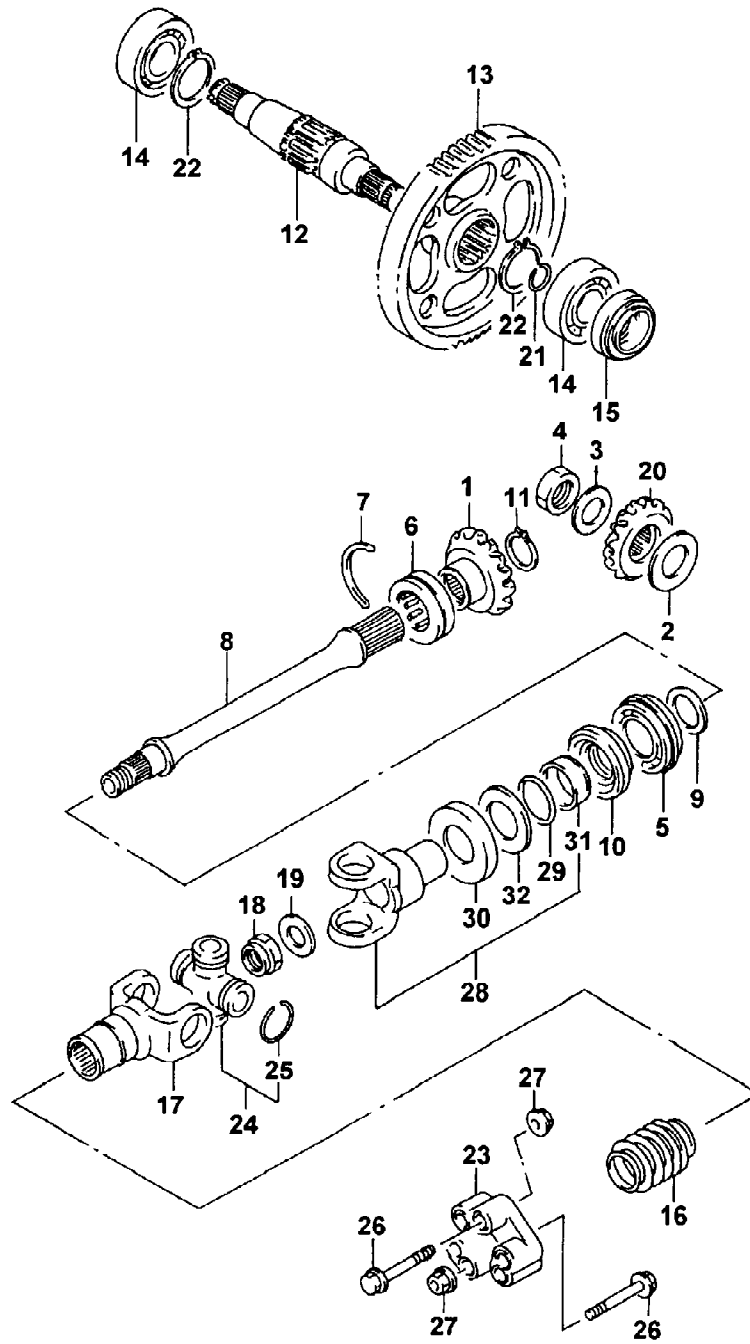


2001 300 2X4 RED (A2001ATF2AUSR) (ATV 250/300 CC)  
SEAT ASSEMBLY

Page 68 of 89

| Ref # | Part Number | Qty | S/P/F | Description                      |
|-------|-------------|-----|-------|----------------------------------|
| 1     | 5990-176    | 1   | /P    | Seat Assembly (inc. 2-8)         |
| 2     | 0506-290    | 1   |       | Cover, Seat                      |
| 3     | 0506-291    | 1   |       | Foam, Seat                       |
| 4     | 0506-223    | 1   | /P    | Base, Seat - Assembly (inc. 5-7) |
| 5     | 0           | 1   | F     | Base, Seat                       |
| 6     | 8061-628    | 4   |       | Rivet                            |
| 7     | 0506-147    | 2   | S     | Pin, Seat-Base - Front           |
| 8     | 0624-100    | AR  |       | Staple                           |
| 9     | 0406-309    | 2   |       | Grommet, Seat - Center           |
| 10    | 8476-620    | 2   |       | Screw, Cap                       |
| 11    | 0406-235    | 1   |       | Spring, Seat Latch               |
| 12    | 8050-217    | 2   | /P    | Washer                           |
| 13    | 0406-199    | 2   |       | Collar, Front Seat-Base          |
| 14    | 0406-171    | 2   |       | Bumper, Seat-Base - Front        |
| 15    | 0623-404    | 1   |       | Cap, Protector                   |
| 16    | 0406-103    | 1   | S     | Latch, Seat - Assembly           |
| 17    | 8476-616    | 2   |       | Screw, Machine                   |

2001 300 2X4 RED (A2001ATF2AUSR) (ATV 250/300 CC)  
SECONDARY GEAR/OUTPUT SHAFT ASSEMBLY

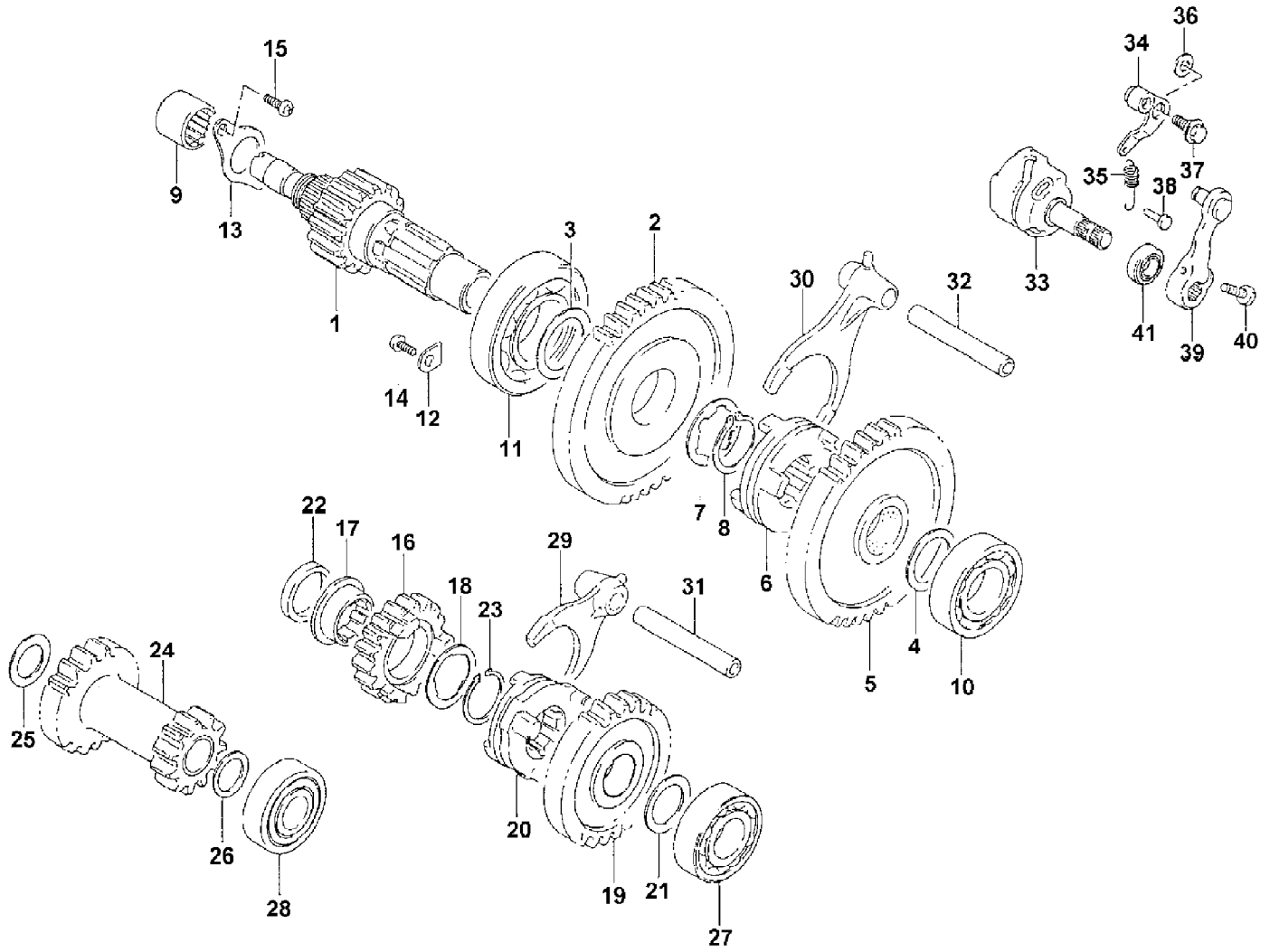


2001 300 2X4 RED (A2001ATF2AUSR) (ATV 250/300 CC)  
SECONDARY GEAR/OUTPUT SHAFT ASSEMBLY

Page 70 of 89

| Ref # | Part Number | Qty | S/P/F | Description                             |
|-------|-------------|-----|-------|---|
| 1     | 3446-269    | 1   |       | Gear, Secondary Drive Bevel (250 4X4)   |
| 1     | 3446-197    | 1   |       | Gear, Secondary Drive Bevel (300 4X4)   |
| 2     | 3446-035    | 1   |       | Shim Set, Secondary Drive Bevel (4X4)   |
| 3     | 3423-032    | 1   |       | Washer (4X4)                            |
| 4     | 3423-254    | 1   |       | Nut (4X4)                               |
| 5     | 3402-067    | 1   | S     | Bearing, Front (4X4)                    |
| 6     | 3402-515    | 1   | /P    | Bearing, Rear (250 4X4)                 |
| 6     | 3402-062    | 1   | S     | Bearing, Rear (300 4X4)                 |
| 7     | 3423-072    | 1   |       | Ring (4X4)                              |
| 8     | 3446-199    | 1   |       | Shaft, Secondary Output (4X4)           |
| 9     | 3402-308    | AR  |       | Shim, 25 x 34 x 0.50 mm (4X4)           |
| 9     | 3402-017    | AR  |       | Shim, 25 x 34 x 0.60 mm (4X4)           |
| 9     | 3402-018    | AR  |       | Shim, 25 x 34 x 0.65 mm (4X4)           |
| 9     | 3402-019    | AR  |       | Shim, 25 x 34 x 0.70 mm (4X4)           |
| 9     | 3402-020    | AR  |       | Shim, 25 x 34 x 0.75 mm (4X4)           |
| 9     | 3402-021    | AR  | S     | Shim, 25 x 34 x 0.80 mm (4X4)           |
| 9     | 3402-022    | AR  |       | Shim, 25 x 34 x 0.85 mm (4X4)           |
| 9     | 3402-023    | AR  |       | Shim, 25 x 34 x 0.90 mm (4X4)           |
| 9     | 3402-024    | AR  |       | Shim, 25 x 34 x 0.95 mm (4X4)           |
| 9     | 3402-025    | AR  | S     | Shim, 25 x 34 x 1.00 mm (4X4)           |
| 9     | 3402-028    | AR  |       | Shim, 25 x 34 x 1.05 mm (4X4)           |
| 9     | 3402-029    | AR  |       | Shim, 25 x 34 x 1.10 mm (4X4)           |
| 9     | 3402-030    | AR  |       | Shim, 25 x 34 x 1.15 mm (4X4)           |
| 9     | 3402-031    | AR  |       | Shim, 25 x 34 x 1.20 mm (4X4)           |
| 10    | 3402-072    | 1   |       | Seal, Oil                               |
| 11    | 3423-340    | 1   | S     | Circlip (4X4)                           |
| 12    | 3446-176    | 1   |       | Shaft, Rear Final Driven                |
| 13    | 3446-175    | 1   |       | Gear, Driven                            |
| 14    | 3402-219    | 2   |       | Bearing                                 |
| 15    | 3402-072    | 2   |       | Seal, Oil                               |
| 16    | 3435-005    | 1   | /P    | Boot (4X4)                              |
| 17    | 3435-002    | 1   |       | Yoke, Output Shaft Joint (4X4)          |
| 18    | 3423-025    | 1   |       | Nut (4X4)                               |
| 19    | 3423-028    | 1   |       | Washer (4X4)                            |
| 20    | 3446-270    | 1   |       | Gear, Secondary Driven Bevel (250 4X4)  |
| 20    | 3446-198    | 1   |       | Gear, Secondary Driven Bevel (300 4X4)  |
| 21    | 3423-281    | 2   |       | Ring                                    |
| 22    | 3423-321    | 2   |       | Circlip                                 |
| 23    | 3435-007    | 1   |       | Coupling (4X4)                          |
| 24    | 3435-011    | 1   |       | Joint, Universal (inc. 25) (4X4)        |
| 25    | 3423-067    | 4   |       | Circlip                                 |
| 26    | 3423-182    | 6   | S     | Screw, Cap (4X4)                        |
| 27    | 3004-491    | 6   | S/P   | Nut (4X4)                               |
| 28    | 3435-001    | 1   | S     | Yoke, Output - Front (inc. 29-32) (4X4) |
| 29    | 3423-060    | 1   |       | O-Ring                                  |
| 30    | 3423-035    | 1   |       | Plate                                   |
| 31    | 3435-029    | 1   |       | Collar                                  |
| 32    | 3435-030    | 1   |       | Plate, Oil Seal                         |

2001 300 2X4 RED (A2001ATF2AUSR) (ATV 250/300 CC)  
SECONDARY TRANSMISSION ASSEMBLY

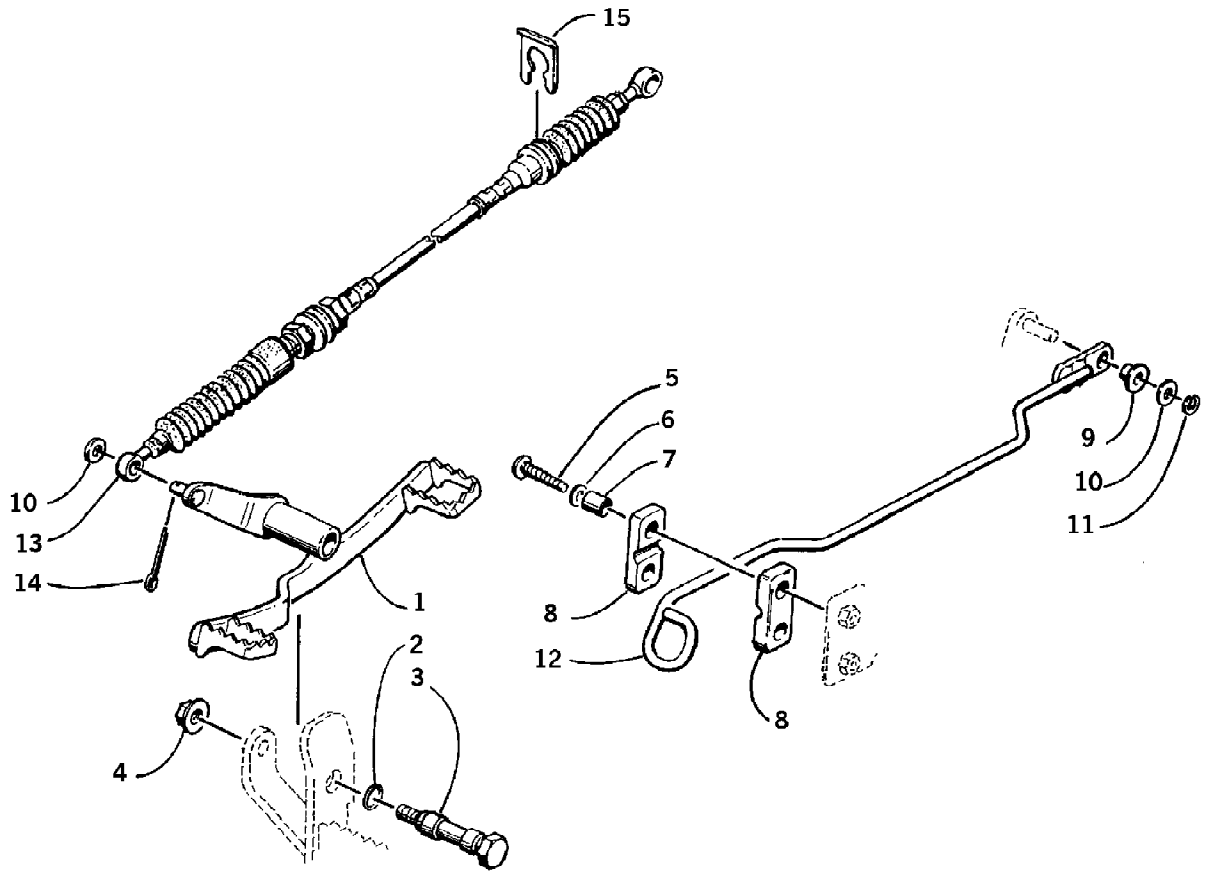


2001 300 2X4 RED (A2001ATF2AUSR) (ATV 250/300 CC)  
SECONDARY TRANSMISSION ASSEMBLY

Page 72 of 89

| Ref # | Part Number | Qty | S/P/F | Description                      |
|-------|-------------|-----|-------|----------------------------------|
| 1     | 3446-179    | 1   |       | Shaft, Sub-Transmission (2X4)    |
| 1     | 3446-206    | 1   |       | Shaft, Sub-Transmission (4X4)    |
| 2     | 3446-184    | 1   |       | Gear, Driven (2X4)               |
| 2     | 3446-207    | 1   |       | Gear, Driven (4X4)               |
| 3     | 3423-338    | 1   |       | Washer - Right (4X4)             |
| 4     | 3423-298    | 1   |       | Washer - Left (4X4)              |
| 5     | 3446-208    | 1   |       | Gear, Driven (4X4)               |
| 6     | 3446-209    | 1   |       | Dog, Driven Gear (4X4)           |
| 7     | 3423-317    | 1   |       | Washer (4X4)                     |
| 8     | 3423-318    | 1   | S     | Circlip                          |
| 9     | 3402-278    | 1   |       | Bearing - Right                  |
| 10    | 3004-209    | 1   | /P    | Bearing - Left                   |
| 11    | 3402-180    | 1   | S     | Bearing - Middle (250)           |
| 11    | 3402-055    | 1   | /P    | Bearing - Middle (300)           |
| 12    | 3446-031    | 2   | /P    | Retainer                         |
| 13    | 3446-154    | 1   |       | Retainer (300)                   |
| 14    | 3004-552    | 2   | S     | Screw                            |
| 15    | 0693-321    | 2   |       | Screw (300)                      |
| 16    | 3446-181    | 1   | S     | Gear, Drive                      |
| 17    | 3446-259    | 1   | /P    | Bushing (250)                    |
| 17    | 3446-069    | 1   | S     | Bushing (300)                    |
| 18    | 3423-036    | 1   |       | Washer                           |
| 19    | 3446-182    | 1   |       | Gear, Drive                      |
| 20    | 3446-183    | 1   |       | Dog, Drive Gear                  |
| 21    | 3402-195    | 1   |       | Washer                           |
| 22    | 3402-207    | 1   |       | Spacer                           |
| 23    | 3423-066    | 1   | /P    | Circlip                          |
| 24    | 3446-180    | 1   | S     | Gear, Idler                      |
| 24    | 3446-272    | 1   | /P    | Gear, Idler (250 4X4)            |
| 25    | 3402-205    | 1   |       | Washer                           |
| 26    | 3423-319    | 1   |       | Washer                           |
| 27    | 3003-261    | 1   | /P    | Bearing, Drive - Left            |
| 28    | 3402-217    | 1   |       | Bearing, Countershaft - Left     |
| 29    | 3446-185    | 1   |       | Fork                             |
| 30    | 3446-210    | 1   |       | Fork (4X4)                       |
| 31    | 3446-168    | 1   | S     | Shaft                            |
| 31    | 3446-271    | 1   | /P    | Shaft (250 4X4)                  |
| 32    | 3446-230    | 1   |       | Shaft (4X4)                      |
| 33    | 3446-186    | 1   |       | Cam, Sub-Transmission Gear (2X4) |
| 33    | 3446-211    | 1   |       | Cam, Sub-Transmission Gear (4X4) |
| 34    | 3446-187    | 1   |       | Stopper                          |
| 35    | 3402-241    | 1   |       | Spring                           |
| 36    | 3423-141    | 1   |       | Washer                           |
| 37    | 3423-240    | 1   |       | Screw, Cap                       |
| 38    | 3423-268    | 1   |       | Pin (4X4)                        |
| 39    | 3446-116    | 1   |       | Arm                              |
| 40    | 3423-125    | 1   | S     | Screw, Cap                       |
| 41    | 3402-076    | 1   |       | Seal, Oil                        |

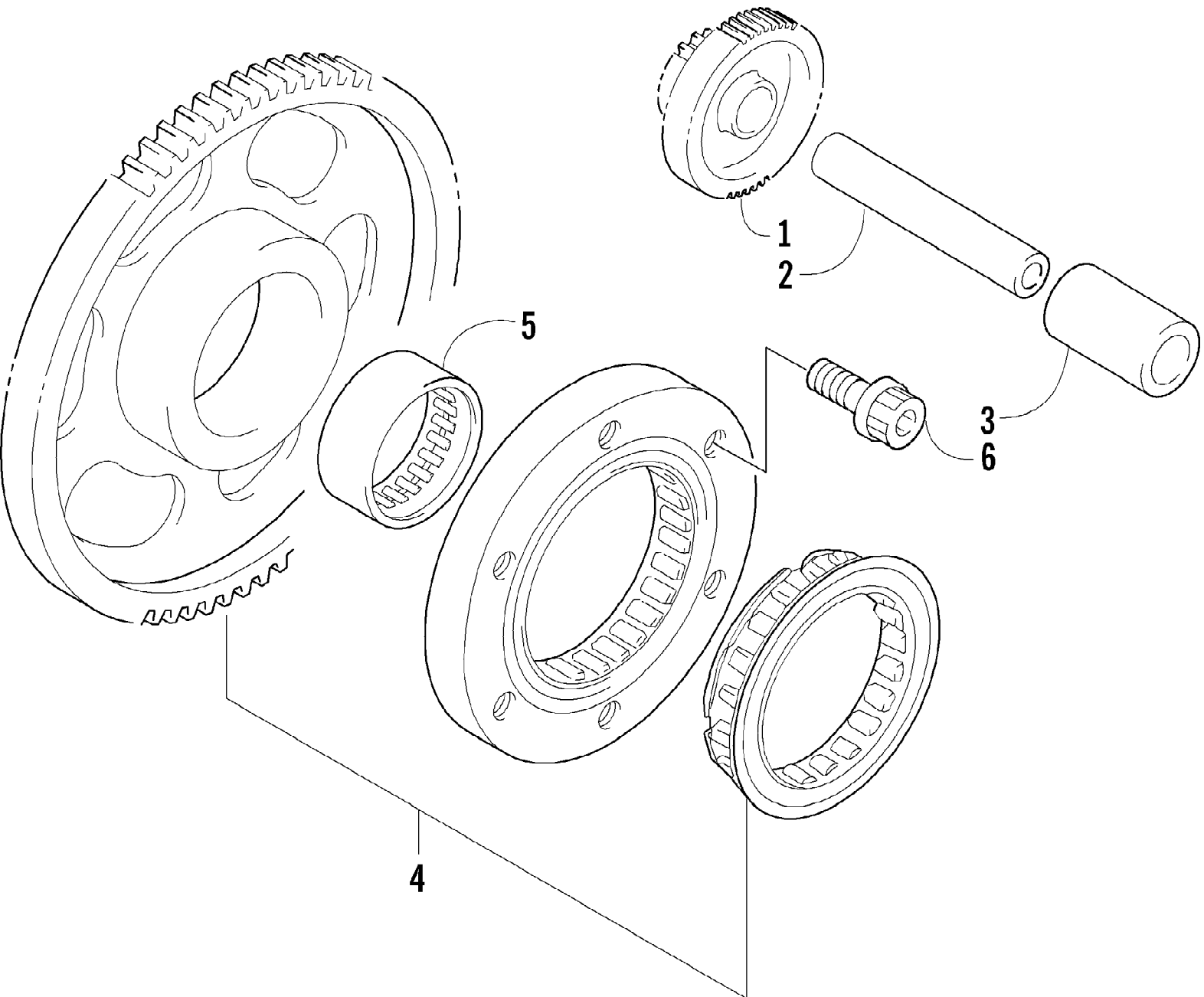




2001 300 2X4 RED (A2001ATF2AUSR) (ATV 250/300 CC)  
 SHIFTER ASSEMBLY

Page 74 of 89

| Ref # | Part Number | Qty | S/P/F | Description             |
|-------|-------------|-----|-------|-------------------------|
| 1     | 0502-114    | 1   |       | Lever, Footshift        |
| 2     | 0423-096    | 2   |       | O-Ring                  |
| 3     | 0402-370    | 1   |       | Axle, Lever             |
| 4     | 8422-002    | 1   |       | Nut                     |
| 5     | 8476-630    | 2   |       | Screw, Cap              |
| 6     | 8050-222    | 2   | /P    | Washer                  |
| 7     | 0402-256    | 2   |       | Collar, High/Low Shift  |
| 8     | 0406-363    | 2   |       | Bushing, High/Low Shift |
| 9     | 0423-091    | 1   |       | Bushing, Linkage        |
| 10    | 8050-242    | 2   |       | Washer                  |
| 11    | 3423-168    | 1   | S     | E-Ring, Linkage         |
| 12    | 0502-062    | 1   |       | Linkage, High/Low       |
| 13    | 3487-001    | 1   |       | Cable, Lever            |
| 14    | 0623-175    | 1   |       | Pin, Cotter             |
| 15    | 3423-282    | 1   |       | Clip, Cable             |

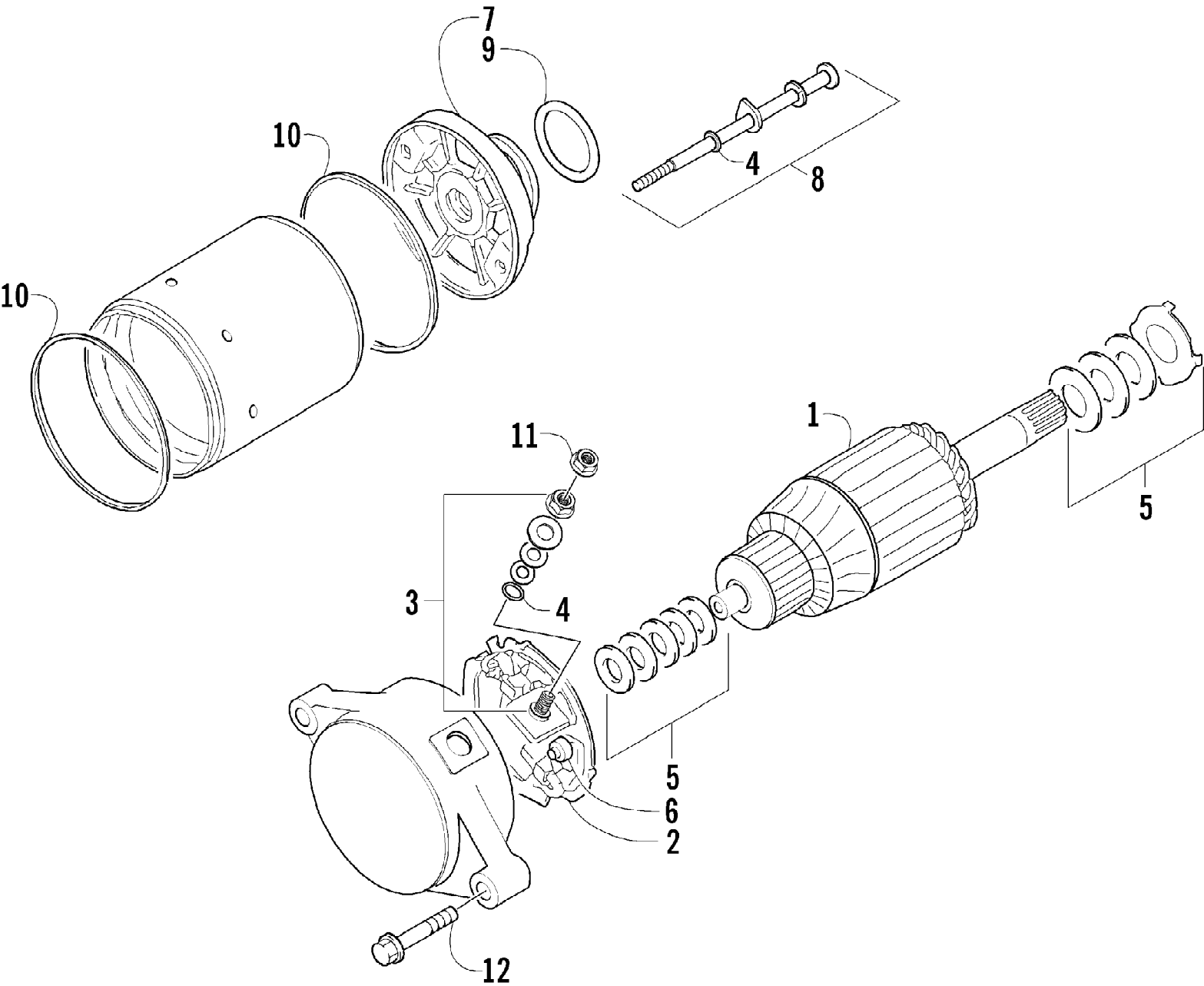


2001 300 2X4 RED (A2001ATF2AUSR) (ATV 250/300 CC)  
STARTER CLUTCH ASSEMBLY

Page 76 of 89

| Ref # | Part Number | Qty | S/P/F | Description                  |
|-------|-------------|-----|-------|------------------------------|
| 1     | 3402-274    | 1   | S     | Gear, Starter Idler          |
| 2     | 3423-267    | 1   |       | Pin                          |
| 3     | 3402-145    | 1   |       | Spacer                       |
| 4     | 3402-273    | 1   |       | Clutch Set, Starter (inc. 5) |
| 5     | 3402-222    | 1   |       | Bearing                      |
| 6     | 3423-309    | 3   |       | Screw, Cap                   |

2001 300 2X4 RED (A2001ATF2AUSR) (ATV 250/300 CC)  
STARTER MOTOR ASSEMBLY

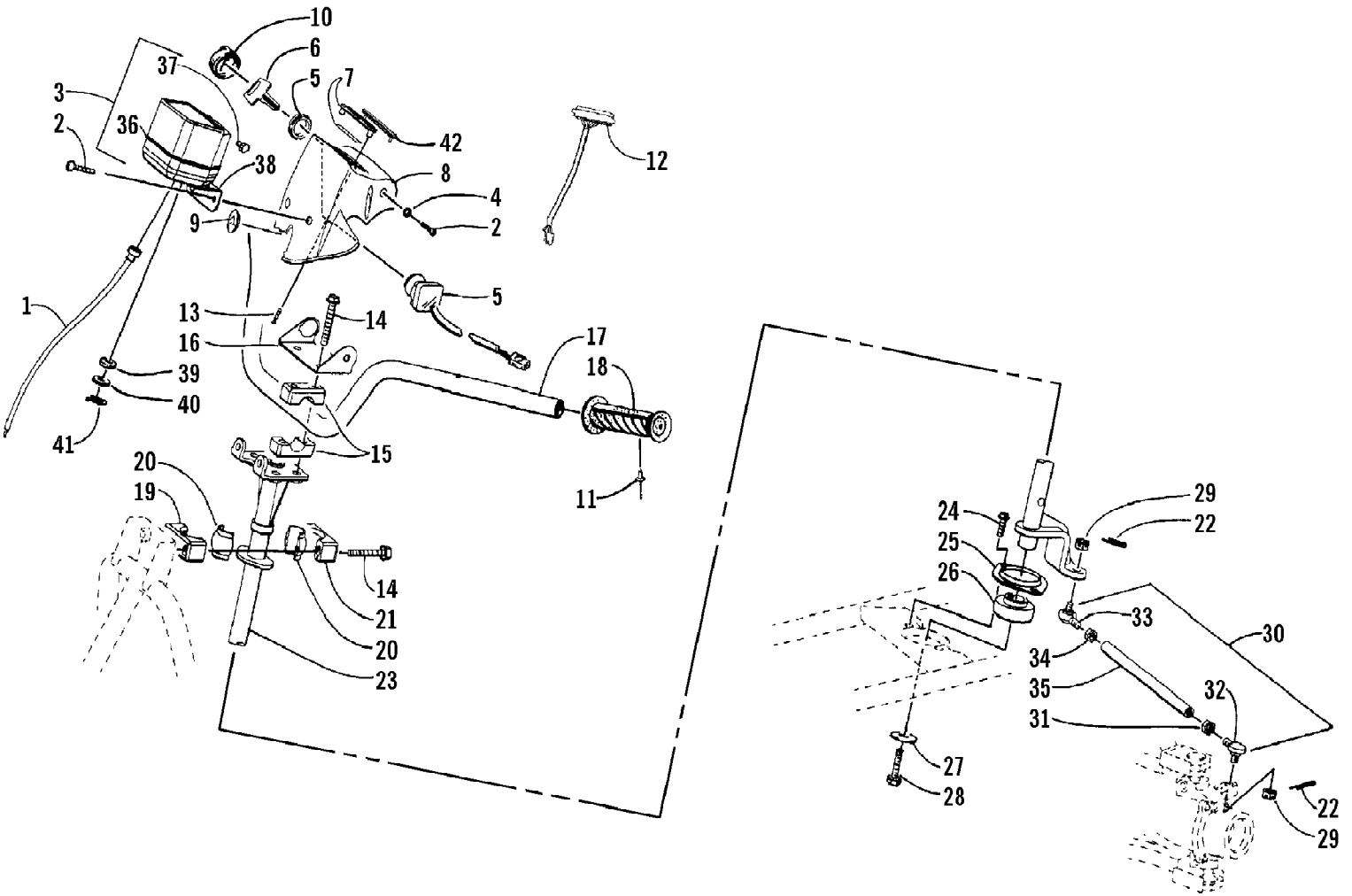


2001 300 2X4 RED (A2001ATF2AUSR) (ATV 250/300 CC)  
STARTER MOTOR ASSEMBLY

Page 78 of 89

| Ref # | Part Number | Qty | S/P/F | Description                  |
|-------|-------------|-----|-------|------------------------------|
|       | 3545-003    | 1   | S     | Complete Assembly            |
| 1     | 3008-554    | 1   |       | Armature                     |
| 2     | 3008-550    | 1   |       | Holder Set, Brush            |
| 3     | 3008-549    | 1   |       | Terminal Set, Brush (inc. 4) |
| 4     | 3008-164    | 3   |       | O-Ring                       |
| 5     | 3008-099    | 1   |       | Washer Set                   |
| 6     | 3008-551    | 2   |       | Spring, Brush                |
| 7     | 3008-552    | 1   |       | Bracket, Front - Assembly    |
| 8     | 3423-289    | 2   |       | Bolt Set (inc. 4)            |
| 9     | 3423-272    | 1   |       | O-Ring                       |
| 10    | 3008-553    | 2   | /P    | O-Ring                       |
| 11    | 3423-195    | 1   | /P    | Nut                          |
| 12    | 3004-756    | 2   | S     | Screw, Cap                   |

2001 300 2X4 RED (A2001ATF2AUSR) (ATV 250/300 CC)  
STEERING ASSEMBLY



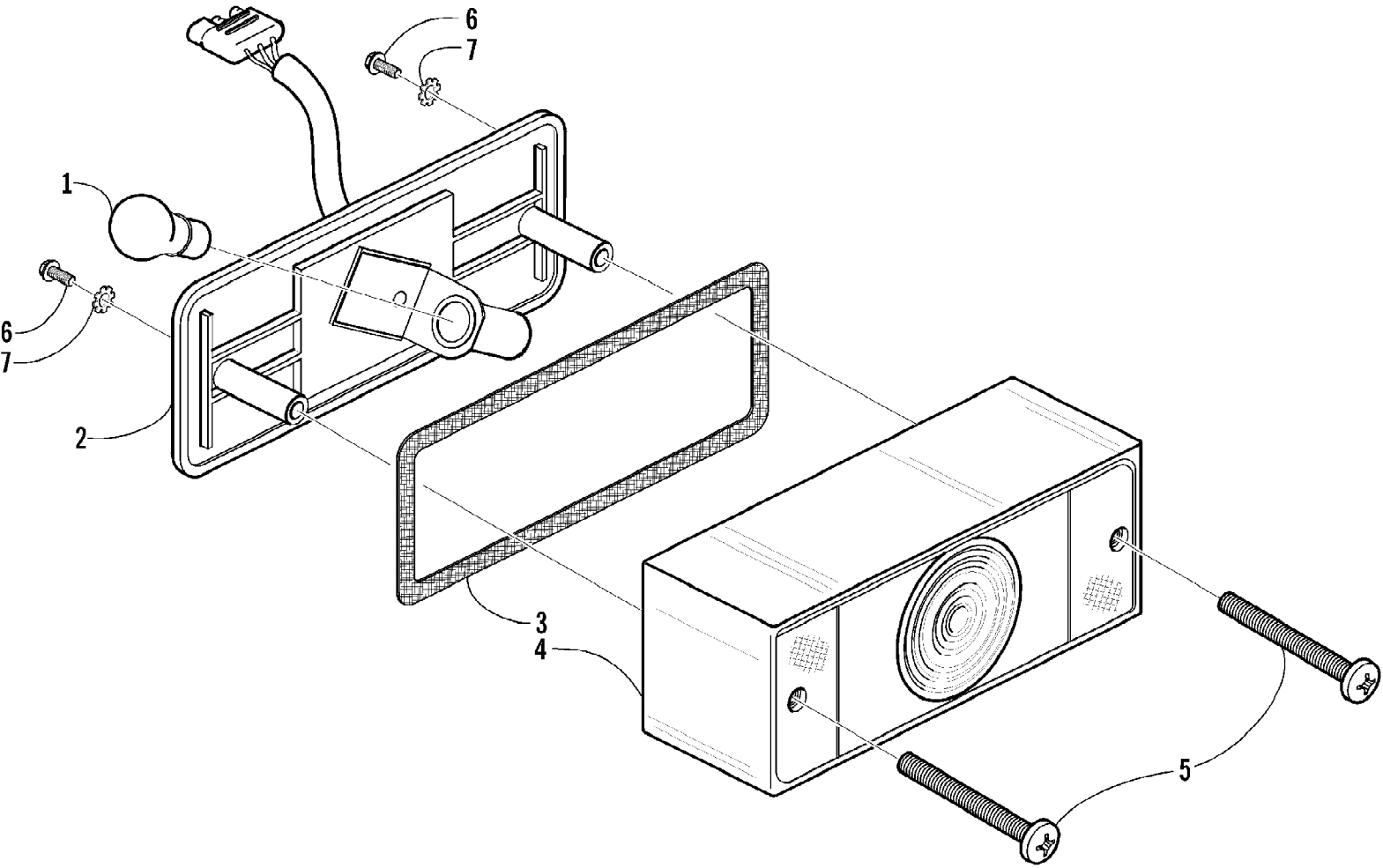
2001 300 2X4 RED (A2001ATF2AUSR) (ATV 250/300 CC)  
STEERING ASSEMBLY

Page 80 of 89

| Ref # | Part Number | Qty | S/P/F | Description                                |
|-------|-------------|-----|-------|--|
| 1     | 0487-013    | 1   | S     | Cable, Speedometer (300 4X4)               |
| 2     | 8477-616    | 3   |       | Screw, Machine                             |
| 3     | 0420-025    | 1   | S     | Speedometer (inc. 36-41) (300) (4X4)       |
| 4     | 0423-052    | 1   |       | Collar                                     |
| 5     | 3430-040    | 1   |       | Switch, Ignition - Assembly (inc. 6)       |
| 6     | 3409-007    | 1   | /P    | Key, Ignition - Blank (C Series)           |
| 6     | 3409-011    | 1   |       | Key, Ignition - Blank (D Series)           |
| 6     | 3409-012    | 1   |       | Key, Ignition - Blank (E Series)           |
| 6     | 3409-013    | 1   |       | Key, Ignition - Blank (F Series)           |
| 7     | 0420-011    | 1   |       | Bezel/Lens, Warning - Assembly             |
| 8     | 0405-063    | 1   |       | Pod, Instrument                            |
| 8     | 0405-019    | 1   | F     | Pod, Instrument (250)                      |
| 9     | 0405-042    | 1   |       | Plug, Instrument Pod (2X4)                 |
| 10    | 0409-013    | 1   |       | Cover, Key                                 |
| 11    | 8060-428    | 2   |       | Rivet                                      |
| 12    | 0420-029    | 1   | S/F   | Panel, LED (250)(300) (2x4)                |
| 12    | 0420-022    | 1   | S     | Panel, LED (300) (4x4)                     |
| 13    | 0123-950    | 2   | F     | Screw, Self-Tapping (250)                  |
| 14    | 8408-860    | 6   |       | Screw, Cap                                 |
| 15    | 0405-035    | 4   |       | Cap, Steering Adjuster                     |
| 16    | 0506-348    | 1   | /P    | Bracket, Ignition Switch                   |
| 17    | 0505-028    | 1   | S     | Tube, Handlebar                            |
| 18    | 0405-039    | 2   | /P    | Grip, Handlebar                            |
| 19    | 0605-171    | 1   |       | Housing, Bearing - Lower                   |
| 20    | 0405-020    | 2   |       | Bearing, Steering Post                     |
| 21    | 0605-147    | 1   | S     | Housing, Bearing - Upper                   |
| 22    | 0623-175    | 4   |       | Pin, Cotter                                |
| 23    | 0505-073    | 1   | S     | Post, Steering                             |
| 24    | 8408-816    | 2   |       | Screw, Cap                                 |
| 25    | 0602-233    | 1   |       | Flange, Bearing                            |
| 26    | 0405-052    | 1   |       | Bearing, Steering Post                     |
| 27    | 0423-073    | 1   |       | Washer                                     |
| 28    | 8409-020    | 1   | /P    | Screw, Cap                                 |
| 29    | 0423-157    | 4   |       | Nut, Top Lock                              |
| 30    | 0505-072    | 2   | /P    | Tie Rod, Assembly (inc. 31-35)             |
| 31    | 8420-002    | 2   | /P    | Nut  |
| 32    | 0405-082    | 2   | S     | Ball Joint, Tie Rod - Right                |
| 33    | 0405-083    | 2   | S     | Ball Joint, Tie Rod - Left                 |
| 34    | 0423-013    | 2   |       | Nut - Left                                 |
| 35    | 0405-032    | 2   |       | Tie Rod                                    |
| 36    | 0420-040    | 1   | /P    | Speedometer (300 4X4)                      |
| 37    | 0420-027    | 1   |       | Knob, Speedometer Trip (300 4X4)           |
| 38    | 0420-018    | 1   |       | Bracket, Speedometer (300 4X4)             |
| 39    | 0420-016    | 2   |       | Mount, Rubber (300 4X4)                    |
| 40    | 0420-017    | 2   |       | Washer (300 4X4)                           |
| 41    | 0420-015    | 2   |       | Pin, Retainer (300 4X4)                    |
| 42    | 0405-036    | 1   | F     | Plate, "Arctic Cat" - Instrument Pod (250) |



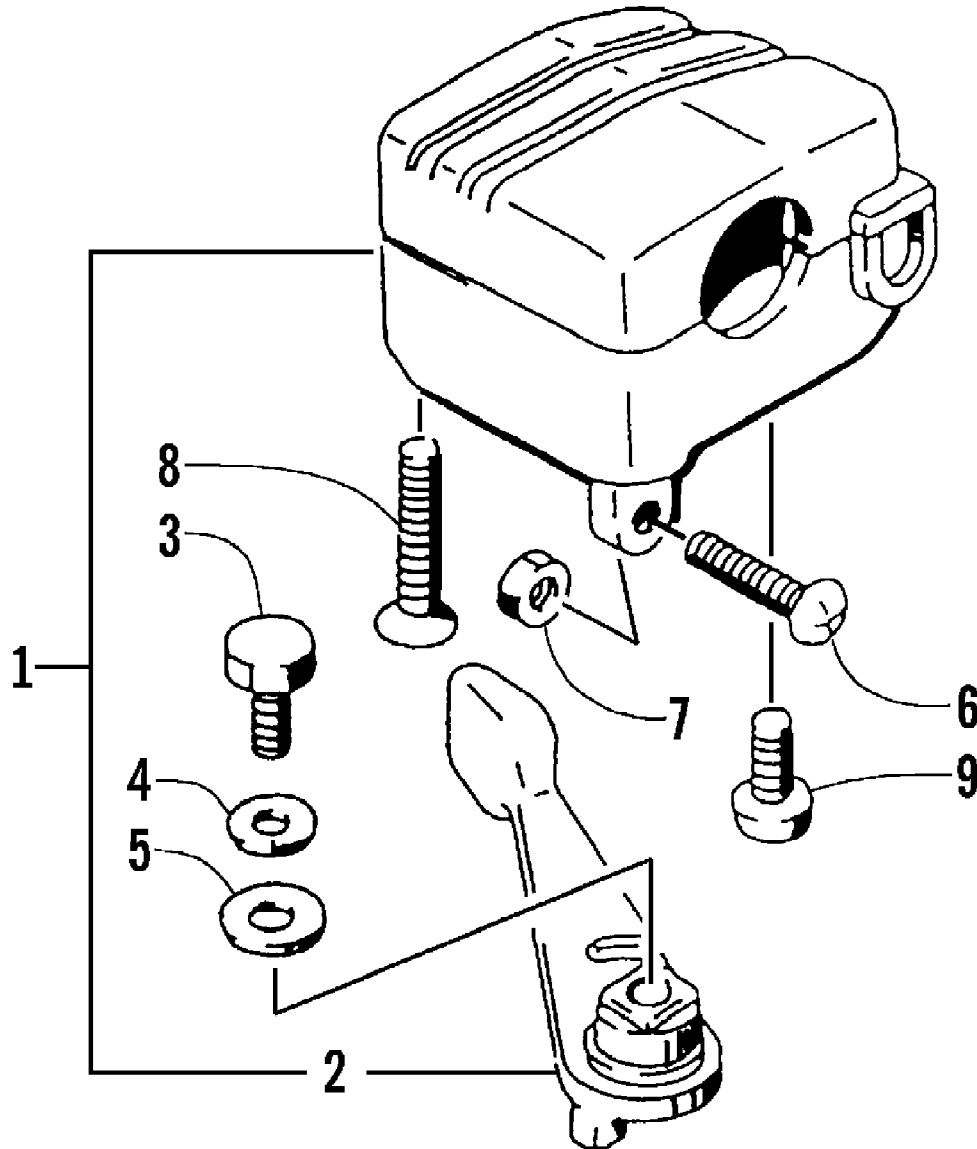
2001 300 2X4 RED (A2001ATF2AUSR) (ATV 250/300 CC)  
TAILLIGHT ASSEMBLY



2001 300 2X4 RED (A2001ATF2AUSR) (ATV 250/300 CC)  
TAILLIGHT ASSEMBLY

Page 82 of 89

| Ref # | Part Number | Qty | S/P/F | Description                   |
|-------|-------------|-----|-------|-------------------------------|
|       | 0409-002    | 1   |       | Complete Taillight Assembly   |
| 1     | 0109-460    | 1   | /P    | Bulb, Stop/Taillight          |
| 2     | 0409-011    | 1   |       | Taillight w/Socket Assembly   |
| 3     | 0409-012    | 1   |       | Gasket, Taillight Lens        |
| 4     | 0409-007    | 1   |       | Lens, Taillight               |
| 5     | 0409-010    | 2   |       | Screw, Machine                |
| 6     | 0623-301    | 2   | /P    | Screw, Self-Tapping           |
| 7     | 8053-212    | 2   | /P    | Washer, Lock - External Tooth |

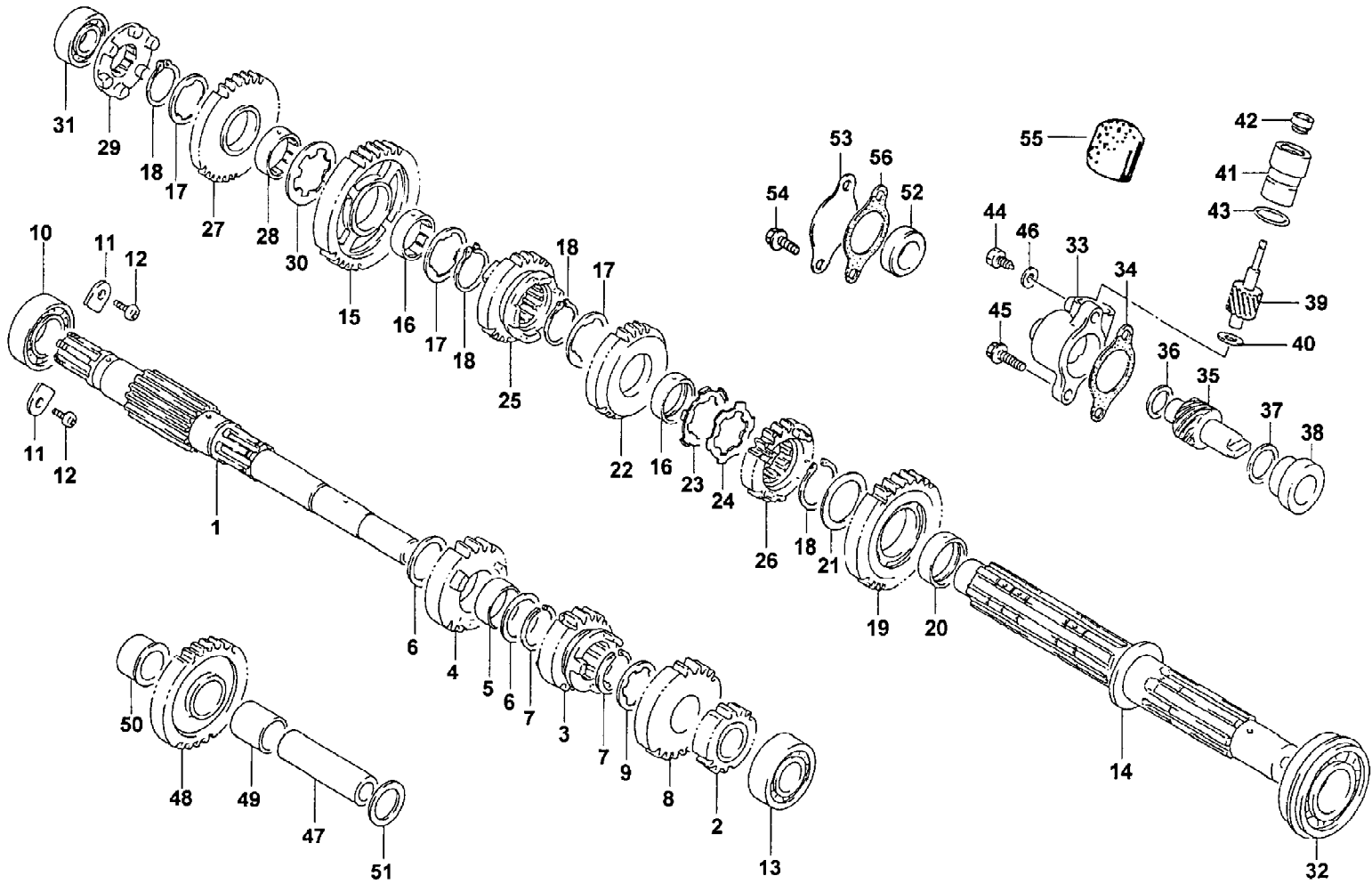


2001 300 2X4 RED (A2001ATF2AUSR) (ATV 250/300 CC)  
THROTTLE CONTROL ASSEMBLY

Page 84 of 89

| Ref # | Part Number | Qty | S/P/F | Description                             |
|-------|-------------|-----|-------|---|
| 1     | 3509-003    | 1   | /P    | Control, Throttle - Assembly (inc. 2-9) |
| 2     | 3409-001    | 1   |       | Lever                                   |
| 3     | 3423-420    | 1   |       | Bolt                                    |
| 4     | 3004-447    | 1   | /P    | Washer, Lock                            |
| 5     | 3003-030    | 1   | /P    | Washer                                  |
| 6     | 3423-014    | 1   |       | Screw                                   |
| 7     | 3423-327    | 1   |       | Nut                                     |
| 8     | 3423-199    | 2   |       | Screw                                   |
| 9     | 3004-638    | 1   | /P    | Screw                                   |

2001 300 2X4 RED (A2001ATF2AUSR) (ATV 250/300 CC)  
TRANSMISSION ASSEMBLY



2001 300 2X4 RED (A2001ATF2AUSR) (ATV 250/300 CC)  
TRANSMISSION ASSEMBLY

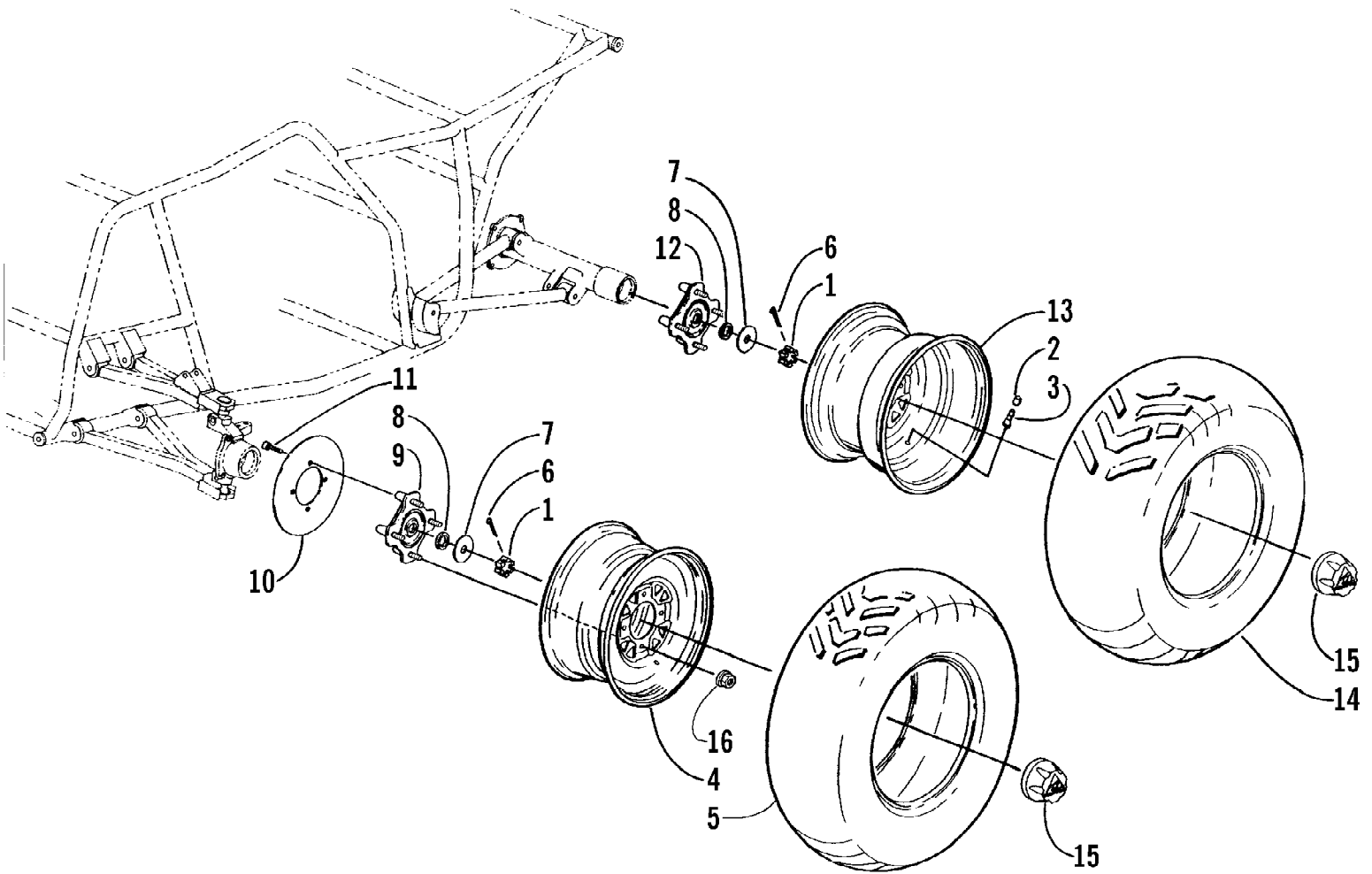
Page 86 of 89

| Ref # | Part Number | Qty | S/P/F | Description                         |
|-------|-------------|-----|-------|-------------------------------------|
| 1     | 3446-135    | 1   | S     | Countershaft                        |
| 2     | 3446-137    | 1   |       | Gear, 2nd Drive                     |
| 3     | 3446-138    | 1   |       | Gear, 3rd Drive                     |
| 4     | 3446-139    | 1   |       | Gear, 4th Drive                     |
| 5     | 3402-229    | 1   |       | Bushing                             |
| 6     | 3402-210    | 2   |       | Washer                              |
| 7     | 3423-279    | 2   |       | Circlip                             |
| 8     | 3446-140    | 1   |       | Gear, 5th Drive                     |
| 9     | 3423-261    | 1   | S     | Washer                              |
| 10    | 0691-374    | 1   |       | Bearing - Right                     |
| 11    | 3446-031    | 2   | /P    | Retainer                            |
| 12    | 3004-552    | 2   | S     | Screw                               |
| 13    | 3402-224    | 1   |       | Bearing - Middle                    |
| 14    | 3446-136    | 1   | S     | Driveshaft                          |
| 15    | 3446-141    | 1   |       | Gear, 1st Driven                    |
| 16    | 3446-144    | 2   | S     | Bushing                             |
| 16    | 3446-273    | 2   | /P    | Bushing (250 4X4)                   |
| 17    | 3423-036    | 3   |       | Washer                              |
| 18    | 3423-066    | 4   | /P    | Circlip                             |
| 19    | 3446-142    | 1   |       | Gear, 2nd Driven                    |
| 20    | 3402-230    | 1   |       | Bushing                             |
| 21    | 3423-317    | 1   |       | Washer                              |
| 22    | 3446-143    | 1   |       | Gear, 3rd Driven                    |
| 23    | 3423-266    | 1   |       | Washer, Lock                        |
| 24    | 3423-262    | 1   |       | Washer, Lock                        |
| 25    | 3446-146    | 1   |       | Gear, 4th Driven                    |
| 26    | 3446-147    | 1   |       | Gear, 5th Driven                    |
| 27    | 3446-151    | 1   |       | Gear, Reverse Driven                |
| 28    | 3446-145    | 1   |       | Bushing                             |
| 29    | 3446-152    | 1   |       | Dog, Reverse                        |
| 30    | 3423-263    | 1   |       | Washer                              |
| 31    | 3402-218    | 1   |       | Bearing - Right                     |
| 32    | 3402-220    | 1   |       | Bearing - Middle                    |
| 33    | 3446-057    | 1   |       | Housing, Speedometer Gear (300 4X4) |
| 34    | 3446-059    | 1   | S     | Gasket (300 4X4)                    |
| 35    | 3446-228    | 1   |       | Gear, Speedometer Drive (300 4X4)   |
| 36    | 3423-336    | 1   |       | Washer - Right (300 4X4)            |
| 37    | 3423-337    | 1   | S     | Washer - Left (300 4X4)             |
| 38    | 3446-114    | 1   | /P    | Spacer (300 4X4)                    |
| 39    | 3446-229    | 1   |       | Gear, Speedometer Driven (300 4X4)  |
| 40    | 3423-144    | 1   |       | Washer (300 4X4)                    |
| 41    | 3446-058    | 1   |       | Sleeve (300 4X4)                    |
| 42    | 3402-077    | 1   |       | Seal, Oil (300 4X4)                 |
| 43    | 3423-056    | 1   |       | O-Ring (300 4X4)                    |
| 44    | 3423-143    | 1   | S     | Screw, Cap (300 4X4)                |
| 45    | 3004-507    | 2   | S     | Screw, Cap (300 4X4)                |
| 46    | 3402-009    | 1   | /P    | Washer (300 4X4)                    |
| 47    | 3446-148    | 1   |       | Shaft, Reverse Idle                 |
| 48    | 3446-149    | 1   |       | Gear, Reverse Idle                  |
| 49    | 3402-228    | 1   |       | Bushing                             |
| 50    | 3446-150    | 1   |       | Spacer                              |
| 51    | 3402-209    | 1   |       | Washer                              |
| 52    | 3402-255    | 1   |       | Plastic Hole (2X4)                  |

2001 300 2X4 RED (A2001ATF2AUSR) (ATV 250/300 CC)  
TRANSMISSION ASSEMBLY

Page 87 of 89

| Ref # | Part Number | Qty | S/P/F | Description                    |
|-------|-------------|-----|-------|--------------------------------|
| 53    | 3446-260    | 1   |       | Retainer, Cover Plug (250)     |
| 53    | 3446-153    | 1   |       | Retainer, Cover Plug (300 2X4) |
| 54    | 3423-363    | 2   |       | Bolt, Retainer (250)           |
| 54    | 3423-231    | 2   |       | Bolt, Retainer (300 2X4)       |
| 55    | 0402-160    | 1   |       | Cap, Speedometer Drive         |
| 56    | 3446-244    | 1   | /P    | Gasket, Speedometer Gear (250) |
| 56    | 3446-231    | 1   | S     | Gasket, Speedometer Gear (300) |





2001 300 2X4 RED (A2001ATF2AUSR) (ATV 250/300 CC)  
WHEEL AND TIRE ASSEMBLY

Page 89 of 89

| Ref # | Part Number | Qty | S/P/F | Description               |
|-------|-------------|-----|-------|---------------------------|
| 1     | 3423-213    | 4   |       | Nut, Hex                  |
| 2     | 0402-140    | 4   |       | Cap, Valve Stem           |
| 3     | 0402-064    | 4   |       | Stem, Valve               |
| 4     | 0402-657    | 2   |       | Wheel - Front             |
| 5     | 0402-316    | 2   | /P    | Tire - Front              |
| 5     | 0402-317    | 2   | /P    | Tire - Front (300 4X4)    |
| 6     | 0123-458    | 4   | /P    | Pin, Cotter               |
| 7     | 0423-080    | 4   |       | Washer                    |
| 8     | 0402-181    | 4   |       | Seal, Hub                 |
| 9     | 0502-168    | 2   | S     | Hub, Wheel - Front (2X4)  |
| 9     | 0502-166    | 2   | S     | Hub, Wheel - Front (4X4)  |
| 10    | 0402-482    | 3   | S     | Disc, Brake               |
| 11    | 0423-029    | 12  |       | Screw, Machine            |
| 12    | 0502-166    | 1   | S     | Hub, Wheel - Rear - Right |
| 12    | 0502-167    | 1   | S     | Hub, Wheel - Rear - Left  |
| 13    | 0402-657    | 2   |       | Wheel - Rear              |
| 14    | 0402-317    | 2   | /P    | Tire, Rear                |
| 14    | 0402-319    | 2   | /P    | Tire, Rear (300 4X4)      |
| 15    | 0403-035    | 4   | /P    | Cap, Wheel - Center       |
| 16    | 0423-120    | 16  |       | Nut, Mounting - Wheel     |