

1999 ATV 250 2X4 (99A2J-AP-1999)
AIR INTAKE ASSEMBLY

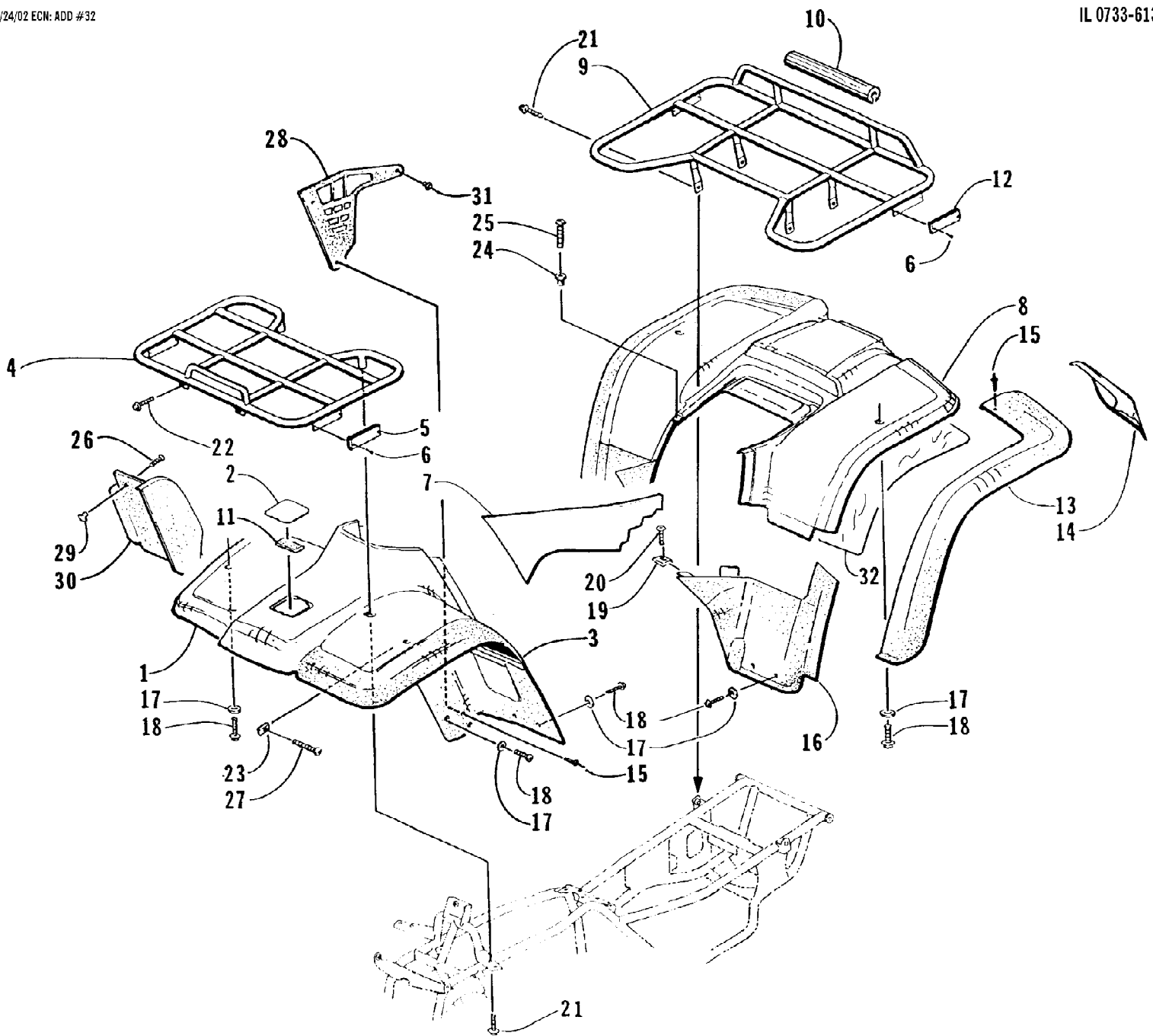
Page 2 of 78

| Ref # | Part Number | Qty | S/P/F | Description |
|-------|-------------|-----|-------|--------------------------------------|
| 1 | 3570-001 | 1 | /P | Box, Air - Assembly (inc. 2 and 4-7) |
| 2 | 3402-330 | 1 | | Slider, Retainer - Filter |
| 3 | 0470-355 | 1 | | Filter, Air Cleaner |
| 3 | 0470-356 | 1 | | Sleeve, Filter |
| 4 | 3402-331 | 1 | | Cap |
| 5 | 8477-610 | 2 | | Screw, Cap |
| 6 | 3423-329 | 1 | | Joint |
| 7 | 3423-311 | 2 | | Clamp |
| 8 | 0423-071 | 1 | | Clamp |
| 9 | 0423-127 | 1 | | Plug, Drain |
| 10 | 0470-349 | 1 | S | Air Cleaner |
| 11 | 0423-047 | 1 | | Clamp |
| 12 | 3470-004 | 1 | | Hose Assembly |
| 13 | 0423-018 | 1 | | Clamp |
| 14 | 0470-347 | 1 | | Boot, Air Cleaner |
| 15 | 0423-019 | 1 | | Clamp |
| 16 | 0570-019 | 1 | | Snorkel, Air Intake |
| 17 | 8053-212 | 3 | /P | Washer, Lock |
| 18 | 0406-379 | 1 | /P | Strap, Tool Kit |
| 19 | 0423-046 | 1 | | Rivet, Plastic |
| 20 | 0444-072 | 1 | S | Kit, Tool |
| 21 | 8476-616 | 5 | | Screw, Cap |

1999 ATV 250 2X4 (99A2J-AP-1999)
BODY PANEL ASSEMBLY

DJL 1/24/02 ECN: ADD #32

IL 0733-613



'98 300 2x4, 4x4

BODY PANEL ASSEMBLY

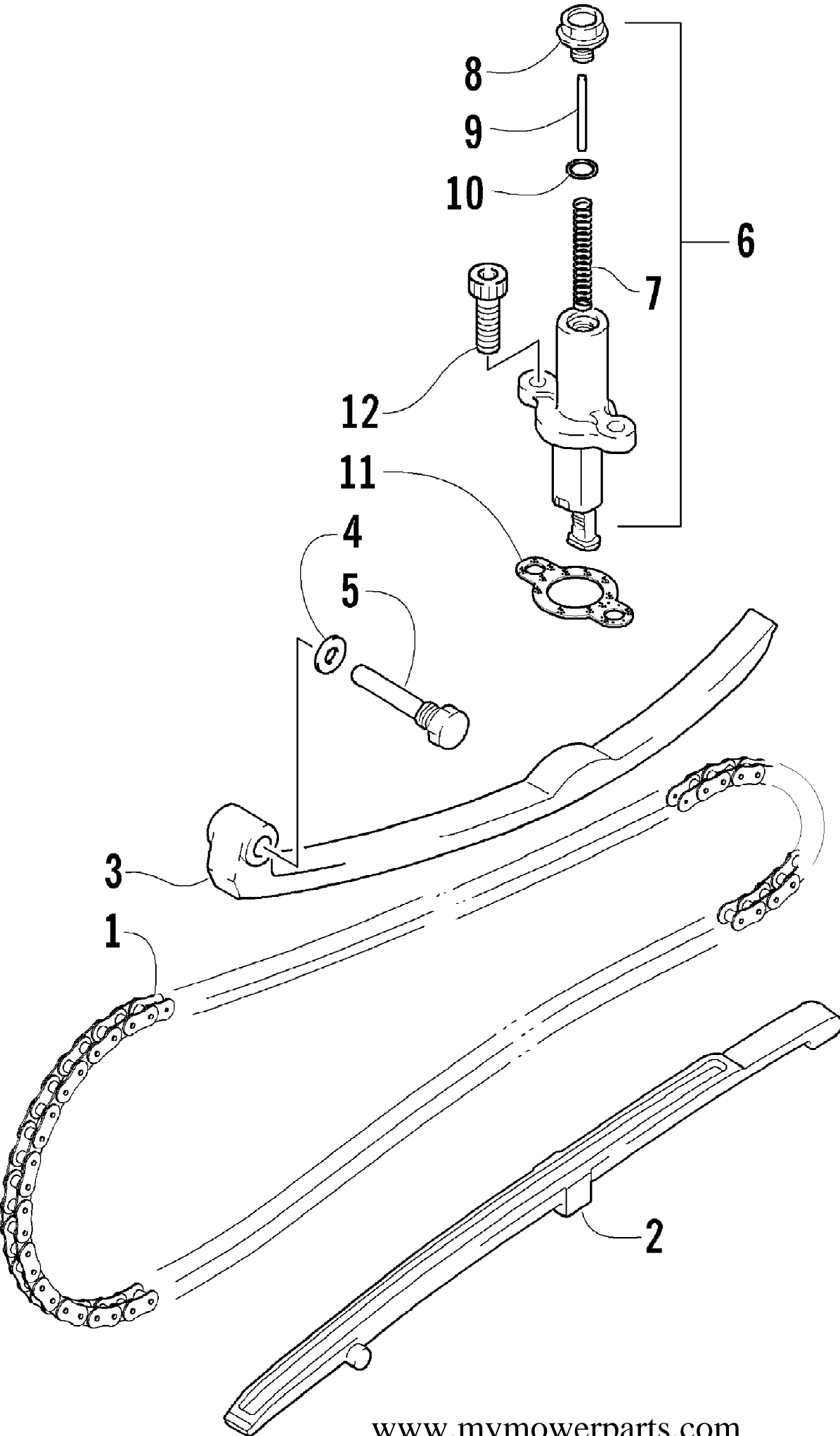
IL 0733-613

1999 ATV 250 2X4 (99A2J-AP-1999)
BODY PANEL ASSEMBLY

Page 4 of 78

| Ref # | Part Number | Qty | S/P/F | Description |
|-------|-------------|-----|-------|-------------------------------------|
| 1 | 0506-239 | 1 | | Panel, Fender - Front (2x4) (Red) |
| 2 | 0506-153 | 1 | S/F | Cover, Access (Red) (inc. 11) |
| 2 | 0506-145 | 1 | S/F | Cover, Access (Green) (inc. 11) |
| 4 | 0506-285 | 1 | | Rack - Front (250) |
| 5 | 0606-526 | 2 | | Reflector - Amber |
| 6 | 0623-269 | 8 | | Clip, Retaining |
| 7 | 0506-242 | 1 | | Panel, Side - Right (Red) |
| 7 | 0506-243 | 1 | | Panel, Side - Left (Red) |
| 7 | 0506-164 | 1 | | Panel, Side - Right (Green) |
| 7 | 0506-165 | 1 | | Panel, Side - Left (Green) |
| 8 | 0506-245 | 1 | | Panel, Fender - Rear (2x4) (Red) |
| 9 | 0506-284 | 1 | | Rack - Rear (250) |
| 10 | 0406-293 | 1 | | Wrap, Tube - Rear Rack |
| 11 | 0417-002 | 1 | | Foam, Access Panel |
| 12 | 0606-029 | 2 | | Reflector - Red |
| 15 | 0423-046 | 10 | | Rivet, Plastic (2x4) |
| 16 | 0406-084 | 1 | | Fender Extension - Rear Right (2x4) |
| 16 | 0406-085 | 1 | | Fender Extension - Rear Left (2x4) |
| 17 | 0423-010 | 22 | | Washer, Body (2x4) |
| 18 | 8474-616 | 22 | | Screw, Machine (2x4) |
| 19 | 0423-060 | 2 | | Clip, Tinerman |
| 20 | 0623-309 | 2 | | Screw, Self-Tapping |
| 21 | 8409-020 | 6 | /P | Screw, Cap |
| 22 | 8408-812 | 2 | | Screw, Cap |
| 23 | 0423-031 | 2 | | Nut, Speed |
| 24 | 0123-010 | 2 | /P | Nut, Expansion |
| 25 | 0423-068 | 2 | | Screw, Machine |
| 26 | 8477-610 | 4 | | Screw, Machine |
| 27 | 8476-616 | 2 | | Screw, Machine |
| 28 | 0406-374 | 2 | | Panel, Deflector |
| 29 | 0423-077 | 4 | /P | T-Nut |
| 30 | 0506-272 | 1 | | Flare - Front Right (2x4) |
| 30 | 0506-273 | 1 | | Flare - Front Left (2x4) |
| 31 | 0623-362 | 2 | | Rivet, Plastic |
| 32 | 0619-230 | 1 | /P/F | Foil (3 in. x 24 in.) |

1999 ATV 250 2X4 (99A2J-AP-1999)
CAM CHAIN ASSEMBLY

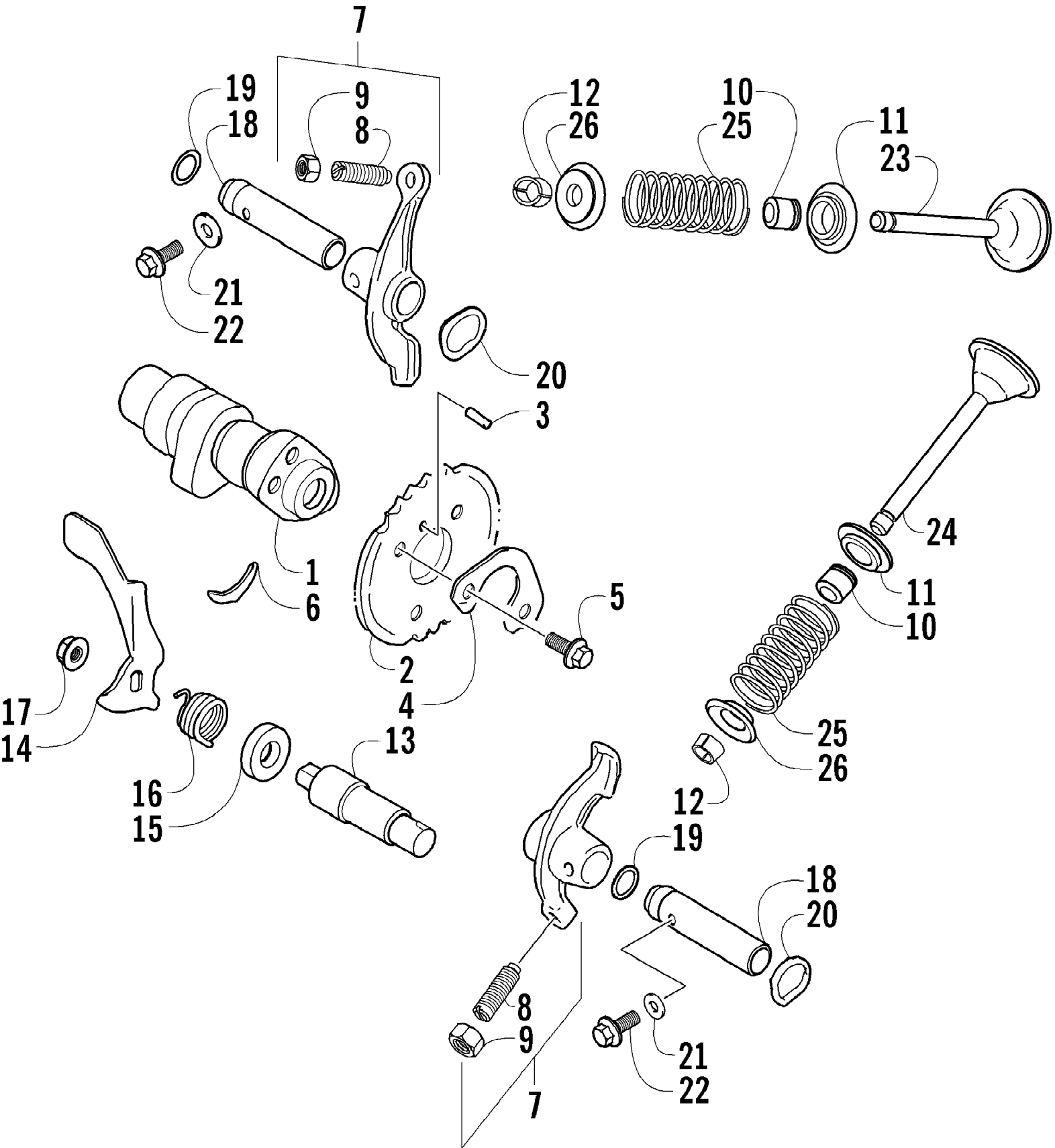


1999 ATV 250 2X4 (99A2J-AP-1999)
CAM CHAIN ASSEMBLY

Page 6 of 78

| Ref # | Part Number | Qty | S/P/F | Description |
|-------|-------------|-----|-------|--------------------------------------------|
| 1 | 3402-398 | 1 | | Chain, Cam (250) |
| 2 | 3402-399 | 1 | S | Guide, Cam Chain (250) |
| 3 | 3402-400 | 1 | | Tensioner, Cam Chain (250) |
| 4 | 3003-188 | 1 | S/P | Washer |
| 5 | 3423-074 | 1 | | Screw, Cap |
| 6 | 3402-283 | 1 | | Adjuster, Tensioner - Assembly (inc. 7-10) |
| 7 | 3402-284 | 1 | | Spring |
| 8 | 3402-285 | 1 | | Plug |
| 9 | 3402-286 | 1 | | Bar |
| 10 | 3423-286 | 1 | | O-Ring |
| 11 | 3402-287 | 1 | | Gasket, Adjuster |
| 12 | 3004-576 | 2 | S | Screw, Cap |

1999 ATV 250 2X4 (99A2J-AP-1999)
CAM SHAFT VALVE ASSEMBLY

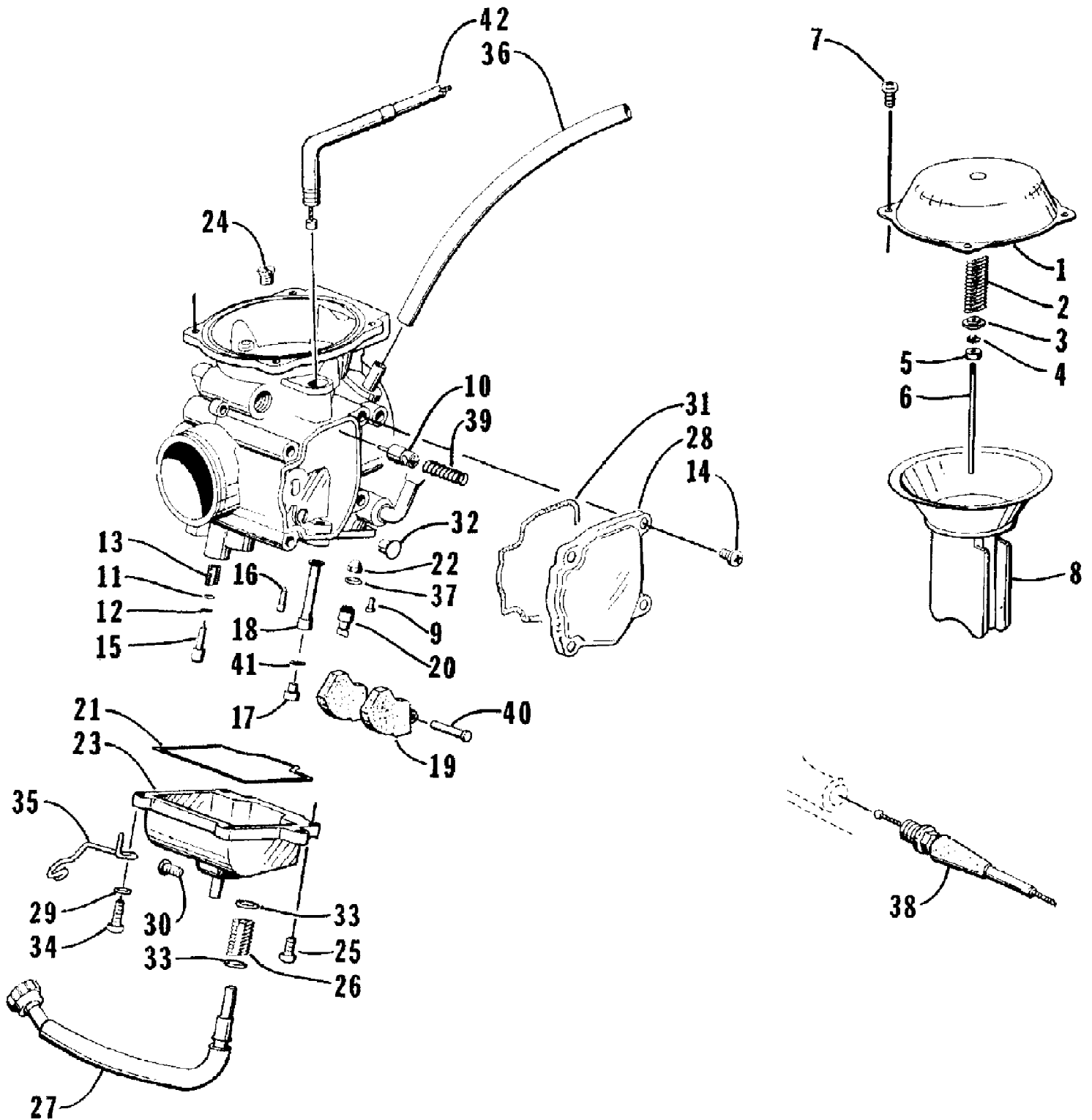


1999 ATV 250 2X4 (99A2J-AP-1999)
CAM SHAFT VALVE ASSEMBLY

Page 8 of 78

| Ref # | Part Number | Qty | S/P/F | Description |
|-------|-------------|-----|-------|------------------------------|
| 1 | 3402-397 | 1 | | Cam Shaft (250) |
| 2 | 3402-427 | 1 | | Sprocket (250) |
| 3 | 3423-047 | 1 | | Pin |
| 4 | 3423-284 | 1 | S | Washer |
| 5 | 3423-013 | 2 | S | Screw, Cap |
| 6 | 3423-071 | 1 | /P | C-Ring |
| 7 | 3402-288 | 2 | | Arm, Valve Rocker (inc. 8-9) |
| 8 | 3423-287 | 2 | | Screw, Cap |
| 9 | 3423-288 | 2 | | Nut |
| 10 | 3402-226 | 2 | | Seal, Oil |
| 11 | 3402-403 | 2 | | Seat, Spring (250) |
| 12 | 0693-281 | 4 | /P | Cotter, Valve |
| 13 | 3402-295 | 1 | | Shaft, Decompression |
| 14 | 3402-296 | 1 | | Lever, Decompression |
| 15 | 3402-225 | 1 | | Seal, Oil |
| 16 | 3402-242 | 1 | | Spring |
| 17 | 3004-326 | 1 | S/P | Nut |
| 18 | 3402-289 | 2 | | Shaft, Rocker Arm |
| 19 | 3423-052 | 2 | | O-Ring |
| 20 | 3423-259 | 2 | | Washer |
| 21 | 3003-290 | 2 | /P | Gasket |
| 22 | 3004-376 | 2 | S/P | Screw, Cap |
| 23 | 3402-290 | 1 | | Valve, Intake |
| 24 | 3402-291 | 1 | | Valve, Exhaust |
| 25 | 3402-401 | 2 | | Spring Set, Valve (250) |
| 26 | 3402-402 | 2 | | Retainer, Spring (250) |

1999 ATV 250 2X4 (99A2J-AP-1999)
CARBURETOR

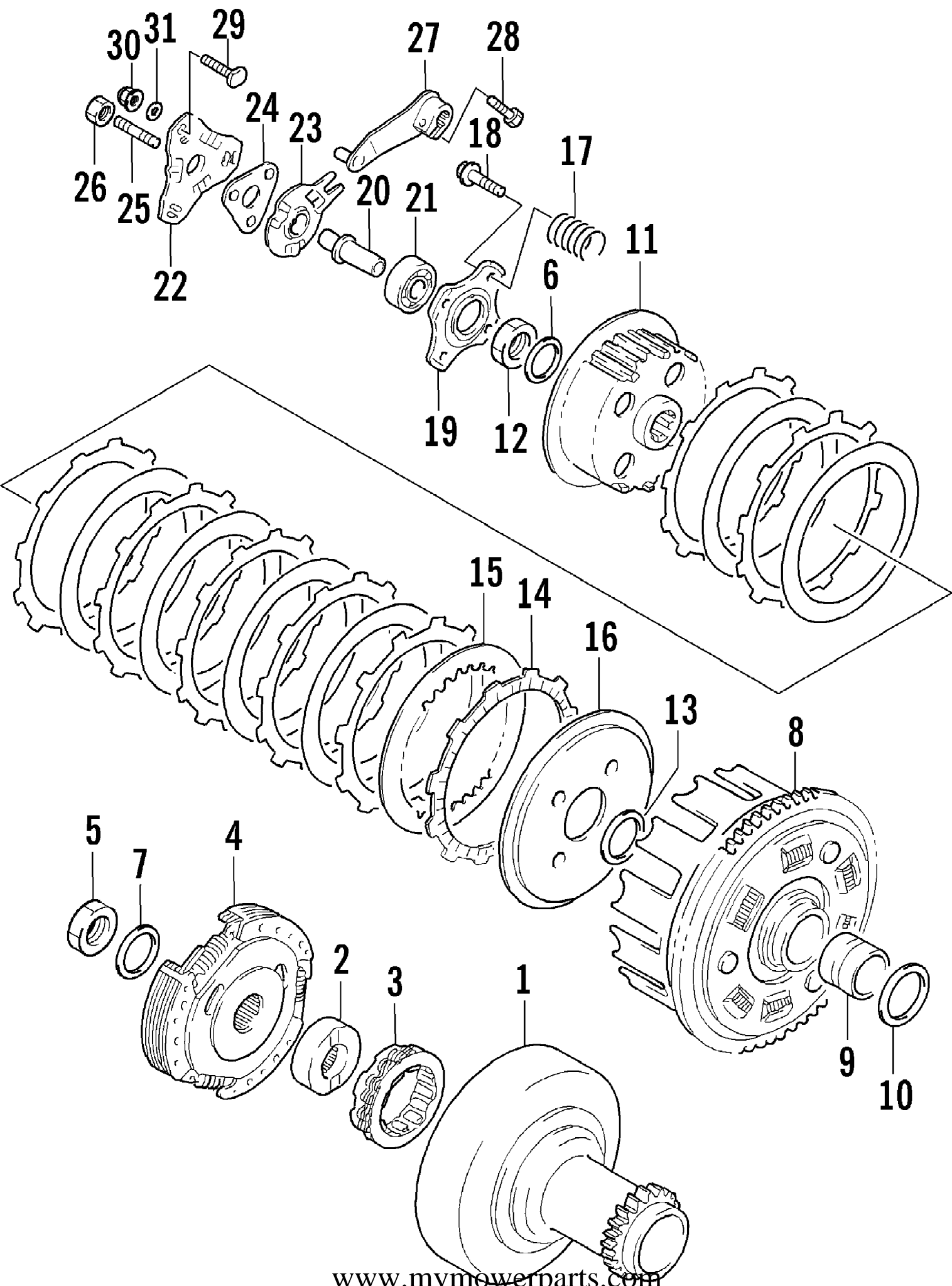


1999 ATV 250 2X4 (99A2J-AP-1999)
CARBURETOR

Page 10 of 78

| Ref # | Part Number | Qty | S/P/F | Description |
|-------|-------------|-----|-------|-------------------------------|
| | 0470-367 | 1 | | Complete Assembly (250) |
| 1 | 4505-069 | 1 | | Cover Assembly |
| 2 | 4505-002 | 1 | | Spring |
| 3 | 4505-003 | 1 | | Ring |
| 4 | 4505-004 | 1 | S | E-Ring |
| 5 | 4505-005 | 1 | | Ring |
| 6 | 4505-084 | 1 | S | Jet Needle |
| 7 | 4505-007 | 4 | S | Screw |
| 8 | 4505-058 | 1 | | Diaphragm |
| 9 | 4505-009 | 1 | | Screw |
| 10 | 4505-067 | 1 | | Plunger Assembly |
| 11 | 4505-011 | 1 | /P | O-Ring |
| 12 | 4505-012 | 1 | | Washer |
| 13 | 4505-013 | 1 | | Spring |
| 14 | 4505-014 | 4 | | Screw |
| 15 | 4505-016 | 1 | /P | Screw, Pilot |
| 16 | 4505-059 | 1 | | Jet, Pilot 45 |
| 17 | 4505-071 | 1 | | Jet, Main 130.0 (250) |
| 18 | 4505-057 | 1 | /P | Needle Jet 4D28-3 |
| 19 | 4505-021 | 1 | | Float Assembly |
| 20 | 4505-022 | 1 | | Seat, Valve 2.0 (With Needle) |
| 21 | 4505-044 | 1 | | O-Ring, Bowl |
| 22 | 4505-045 | 1 | | Filter |
| 23 | 4505-023 | 1 | | Chamber, Float |
| 24 | 4505-024 | 1 | /P | Jet, Pilot - Air |
| 25 | 4505-025 | 3 | | Screw |
| 26 | 4505-026 | 1 | | Spring |
| 27 | 4505-062 | 1 | | Cable Adjust - Assembly |
| 28 | 4505-028 | 1 | | Cover |
| 29 | 4505-029 | 1 | | Washer |
| 30 | 4505-030 | 1 | | Screw |
| 31 | 4505-031 | 1 | | O-Ring |
| 32 | 4505-032 | 1 | | Guide, Cable |
| 33 | 4505-033 | 2 | | Washer |
| 34 | 4505-042 | 1 | | Screw |
| 35 | 4505-065 | 1 | | Clip |
| 36 | 4505-064 | 2 | | Hose |
| 37 | 6505-875 | 1 | /P | O-Ring |
| 38 | 0487-008 | 1 | | Cable, Choke |
| 39 | 4505-039 | 1 | /P | Spring |
| 40 | 4505-040 | 1 | | Pin |
| 41 | 6505-006 | 1 | | Washer |
| 42 | 0487-007 | 1 | | Cable, Throttle |

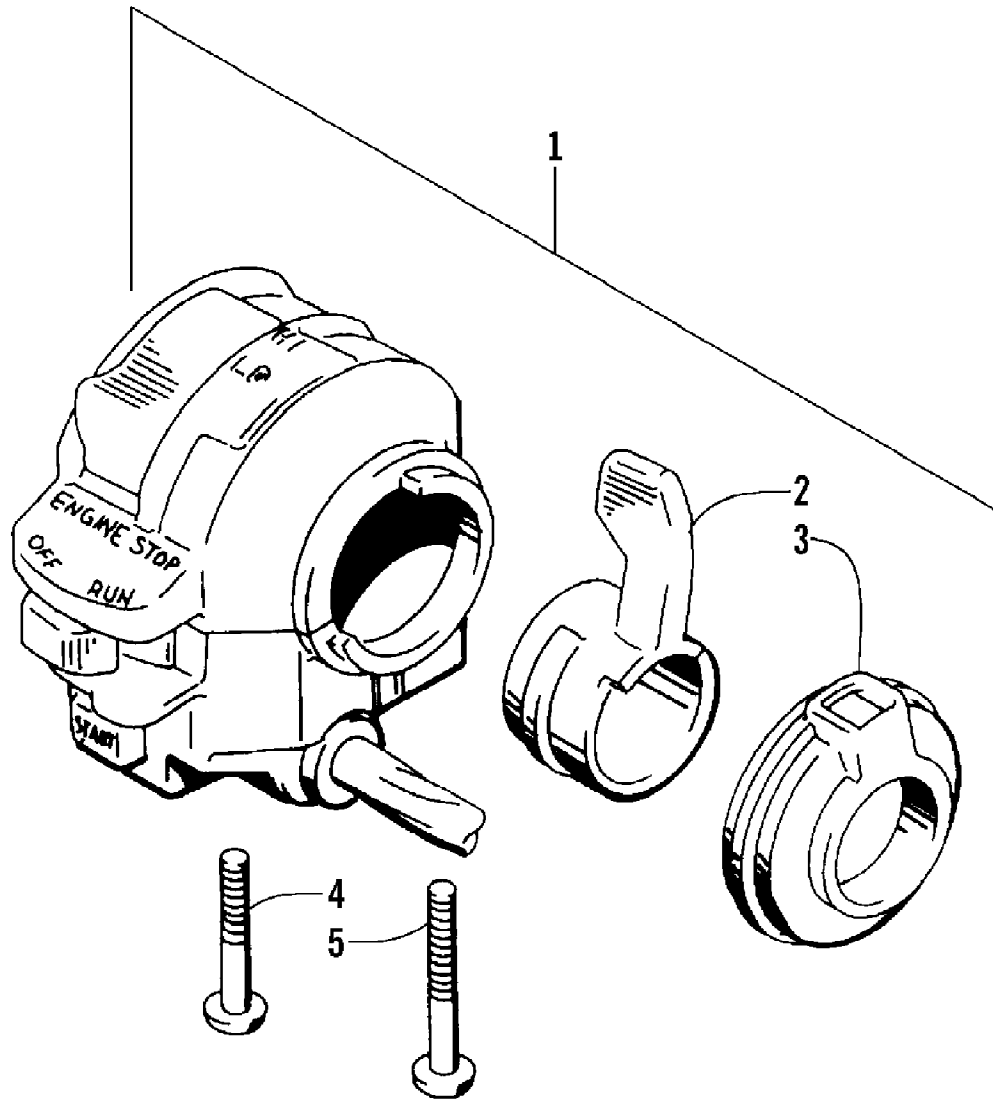
1999 ATV 250 2X4 (99A2J-AP-1999)
CLUTCH ASSEMBLY



1999 ATV 250 2X4 (99A2J-AP-1999)
CLUTCH ASSEMBLY

Page 12 of 78

| Ref # | Part Number | Qty | S/P/F | Description |
|-------|-------------|-----|-------|--------------------------------|
| 1 | 3446-253 | 1 | /P | Gear, Primary Drive (250) |
| 2 | 3446-129 | 1 | | Race, Inner |
| 3 | 3446-122 | 1 | | Clutch, One Way |
| 4 | 3446-257 | 1 | | Clutch Assembly (250) |
| 5 | 3423-253 | 1 | | Nut |
| 6 | 3423-032 | 1 | | Washer, Lock |
| 7 | 3423-260 | 1 | S | Washer, Lock |
| 8 | 3446-254 | 1 | | Gear, Primary - Assembly (250) |
| 9 | 3402-206 | 1 | | Spacer |
| 10 | 3402-211 | 1 | | Washer |
| 11 | 3446-255 | 1 | | Hub, Clutch (250) |
| 12 | 3423-254 | 1 | | Nut |
| 13 | 3423-316 | 1 | | Washer |
| 14 | 3446-124 | 8 | | Plate, Drive |
| 15 | 3446-125 | 7 | | Plate, Driven |
| 16 | 3446-256 | 1 | | Disc, Pressure (250) |
| 17 | 3402-239 | 4 | | Spring |
| 18 | 3004-341 | 4 | S/P | Screw, Cap |
| 19 | 3446-127 | 1 | | Plate, Release |
| 20 | 3446-130 | 1 | | Piece, Push |
| 21 | 3402-043 | 1 | /P | Bearing |
| 22 | 3446-133 | 1 | | Guide, Ball - Outer |
| 23 | 3446-131 | 1 | | Guide, Ball - Inner |
| 24 | 3446-134 | 1 | | Ball, Release |
| 25 | 3423-248 | 1 | | Screw, Adjuster |
| 26 | 3423-022 | 1 | | Nut, Adjuster |
| 27 | 3446-132 | 1 | | Arm, Release |
| 28 | 3423-125 | 1 | S | Screw, Cap |
| 29 | 3423-245 | 3 | | Screw, Cap |
| 30 | 0693-316 | 3 | S | Nut |
| 31 | 3003-290 | 3 | /P | Seal, Cap Screw |

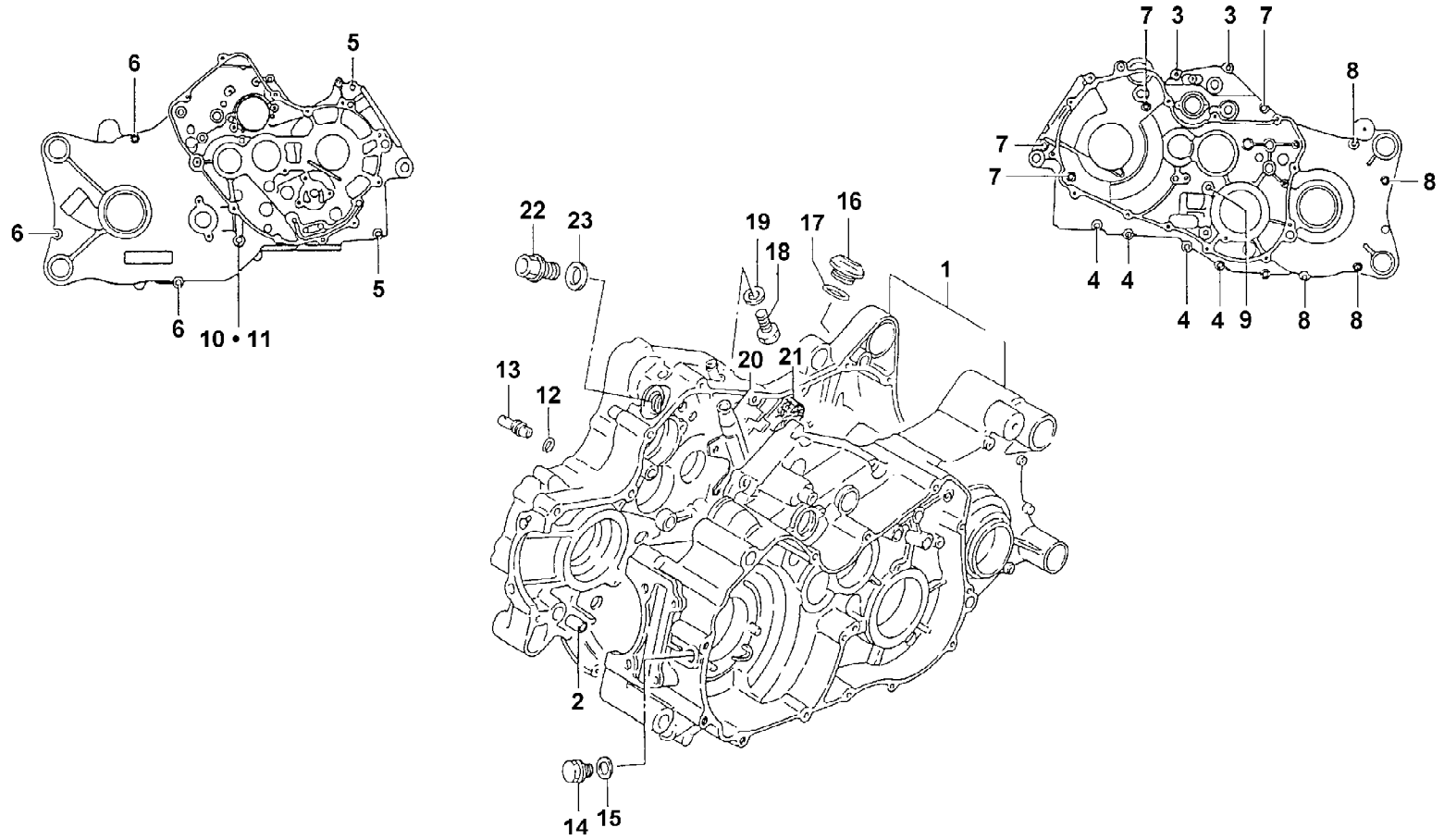


1999 ATV 250 2X4 (99A2J-AP-1999)
CONTROL SWITCH HOUSING ASSEMBLY

Page 14 of 78

| Ref # | Part Number | Qty | S/P/F | Description |
|-------|-------------|-----|-------|--------------------------------------|
| 1 | 3509-001 | 1 | S | Switch, Handle - Assembly (inc. 2-5) |
| 2 | 3409-009 | 1 | | Lever, Choke |
| 3 | 3409-010 | 1 | | Cover, Choke |
| 4 | 3423-196 | 1 | | Screw, Cap |
| 5 | 3423-197 | 1 | | Screw, Cap |

1999 ATV 250 2X4 (99A2J-AP-1999)
CRANKCASE ASSEMBLY

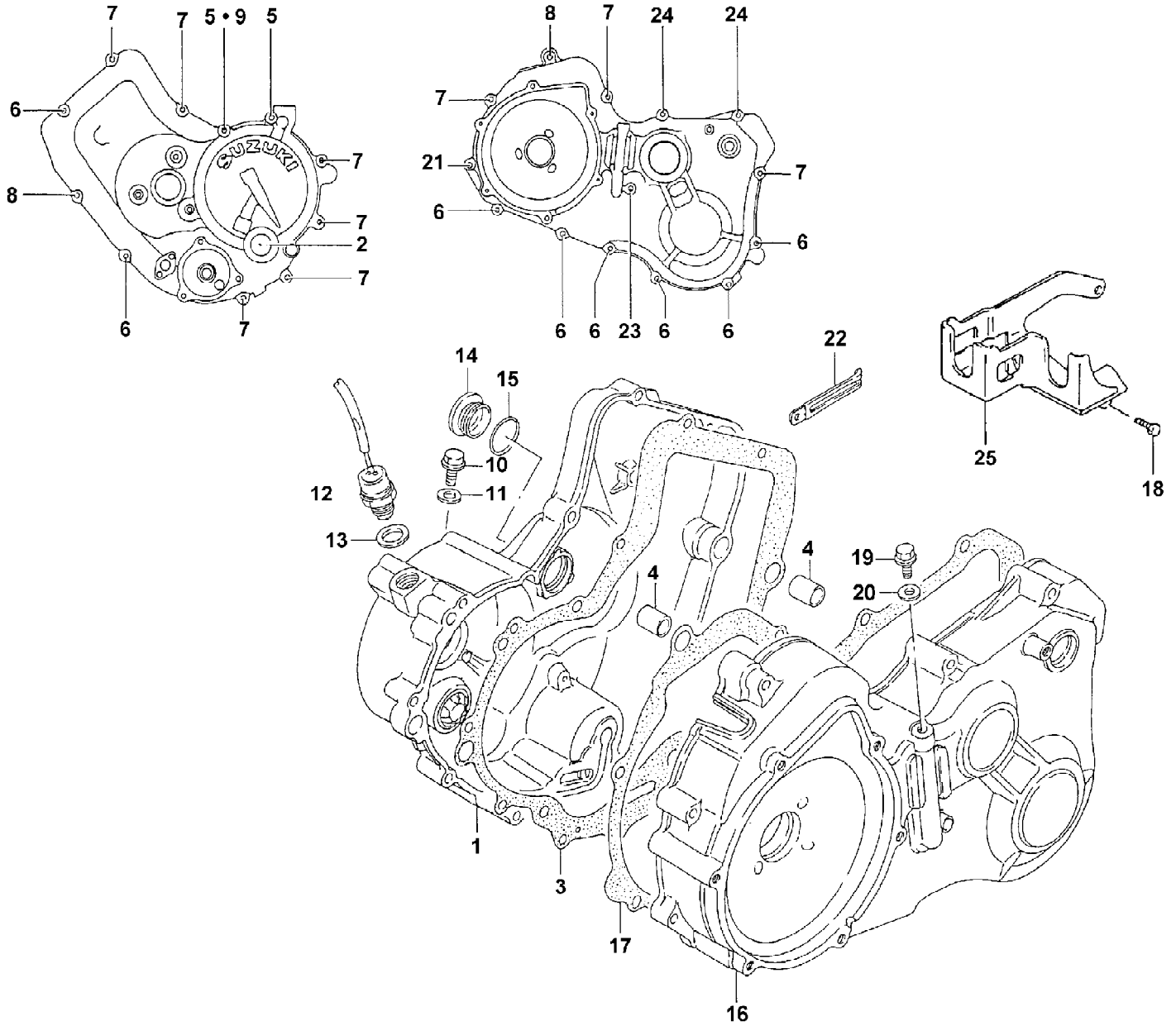


1999 ATV 250 2X4 (99A2J-AP-1999)
CRANKCASE ASSEMBLY

Page 16 of 78

| Ref # | Part Number | Qty | S/P/F | Description |
|-------|-------------|-----|-------|---------------------------------------|
| 1 | 3402-411 | 1 | S | Crankcase Set (inc. 2-13) (2x4) (250) |
| 2 | 3423-088 | 2 | | Pin |
| 3 | 3423-162 | 2 | S | Screw, Cap |
| 4 | 3423-098 | 4 | S | Screw, Cap |
| 5 | 3423-091 | 2 | S | Screw, Cap |
| 6 | 3423-307 | 3 | S | Screw, Cap |
| 7 | 3423-308 | 4 | S | Screw, Cap |
| 8 | 3423-094 | 4 | | Screw, Cap |
| 9 | 3423-232 | 1 | | Screw, Cap |
| 10 | 3423-234 | 1 | | Screw, Cap |
| 11 | 3005-243 | 1 | | Gasket |
| 12 | 3423-051 | 1 | | O-Ring, Oil Gallery Jet |
| 13 | 3402-245 | 1 | | Jet, Oil Gallery |
| 14 | 3402-214 | 1 | | Plug |
| 15 | 3402-012 | 1 | | Gasket |
| 16 | 3402-212 | 1 | | Cap, Oil Filler |
| 17 | 3423-274 | 1 | /P | O-Ring |
| 18 | 3402-404 | 1 | | Plug, Oil Drain (250) |
| 19 | 3402-011 | 1 | | Gasket |
| 20 | 3402-413 | 1 | | Pipe, Breather (250) |
| 21 | 3402-250 | 1 | | Separator, Oil Breather |
| 22 | 3402-258 | 1 | | Plug, Reverse Switch Hole |
| 23 | 3423-271 | 1 | | O-Ring |

1999 ATV 250 2X4 (99A2J-AP-1999)
CRANKCASE COVER ASSEMBLY

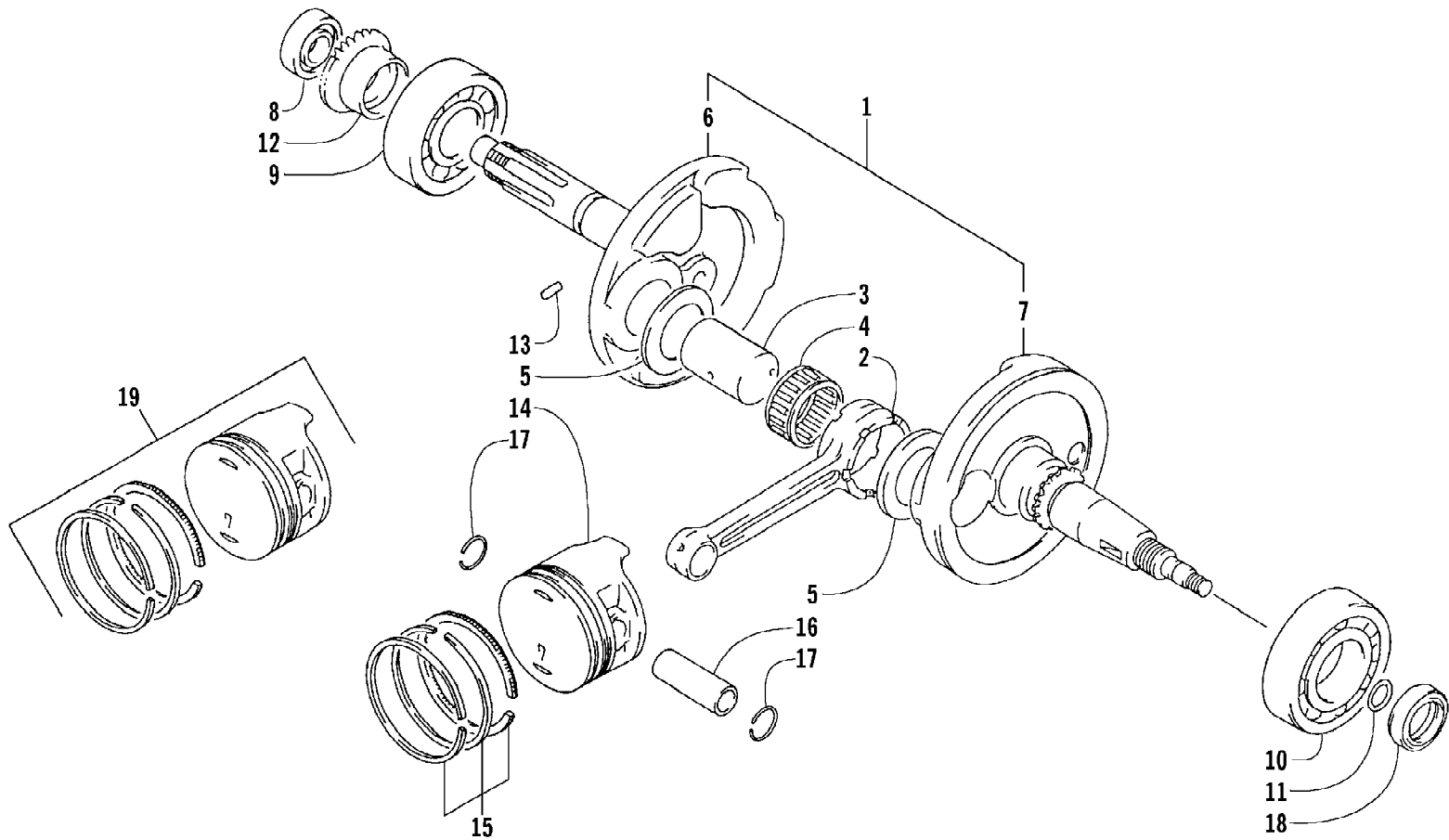


1999 ATV 250 2X4 (99A2J-AP-1999)
CRANKCASE COVER ASSEMBLY

Page 18 of 78

| Ref # | Part Number | Qty | S/P/F | Description |
|-------|-------------|-----|-------|-----------------------------|
| 1 | 3402-254 | 1 | /P | Cover, Clutch (inc. 2) |
| 2 | 3402-112 | 1 | /P | Lens, Oil Inspection |
| 3 | 3402-280 | 1 | S | Gasket |
| 4 | 3423-088 | 4 | | Pin |
| 5 | 3423-231 | 2 | | Screw, Cap |
| 6 | 0693-327 | 8 | S | Screw, Cap |
| 7 | 3423-098 | 9 | S | Screw, Cap |
| 8 | 3423-307 | 2 | S | Screw, Cap |
| 9 | 3003-290 | 1 | /P | Gasket |
| 10 | 3004-705 | 2 | S | Plug, Oil Gallery (250) |
| 11 | 3005-242 | 2 | | Gasket |
| 12 | 3430-019 | 1 | | Switch, Oil Lamp (300) |
| 13 | 3402-013 | 1 | /P | Gasket |
| 14 | 3402-215 | 1 | | Cap, Clutch Adjust |
| 15 | 3423-274 | 1 | /P | O-Ring |
| 16 | 3402-256 | 1 | | Cover, Transfer |
| 17 | 3402-262 | 1 | | Gasket, Transfer Cover |
| 18 | 3423-328 | 1 | S | Screw, Cap |
| 19 | 3004-339 | 1 | S/P | Plug, Oil Gallery |
| 20 | 3003-290 | 1 | /P | Gasket |
| 21 | 3004-756 | 1 | S | Screw, Cap |
| 22 | 0693-274 | 2 | /P | Clamp, Breather Hose (250) |
| 23 | 3423-308 | 1 | S | Screw, Cap |
| 24 | 3423-091 | 2 | S | Screw, Cap |
| 25 | 3430-029 | 1 | | Bracket, Shift Cable |
| 26 | 3402-041 | 1 | S | Plug, Oil Gallery (250) |
| 27 | 3402-405 | 1 | | Cap, Oil Gallery Plug (250) |

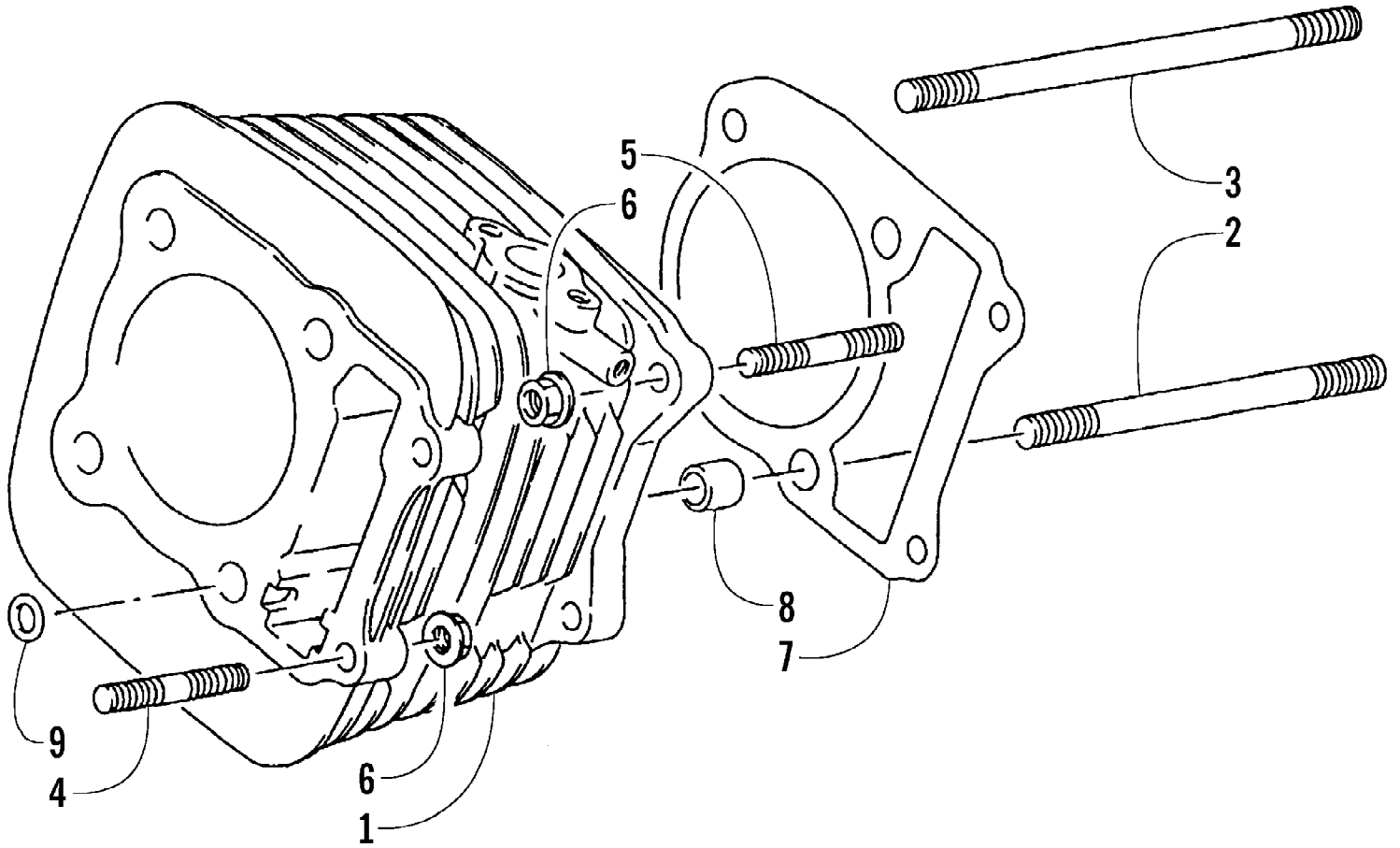
1999 ATV 250 2X4 (99A2J-AP-1999)
CRANKSHAFT ASSEMBLY



1999 ATV 250 2X4 (99A2J-AP-1999)
CRANKSHAFT ASSEMBLY

Page 20 of 78

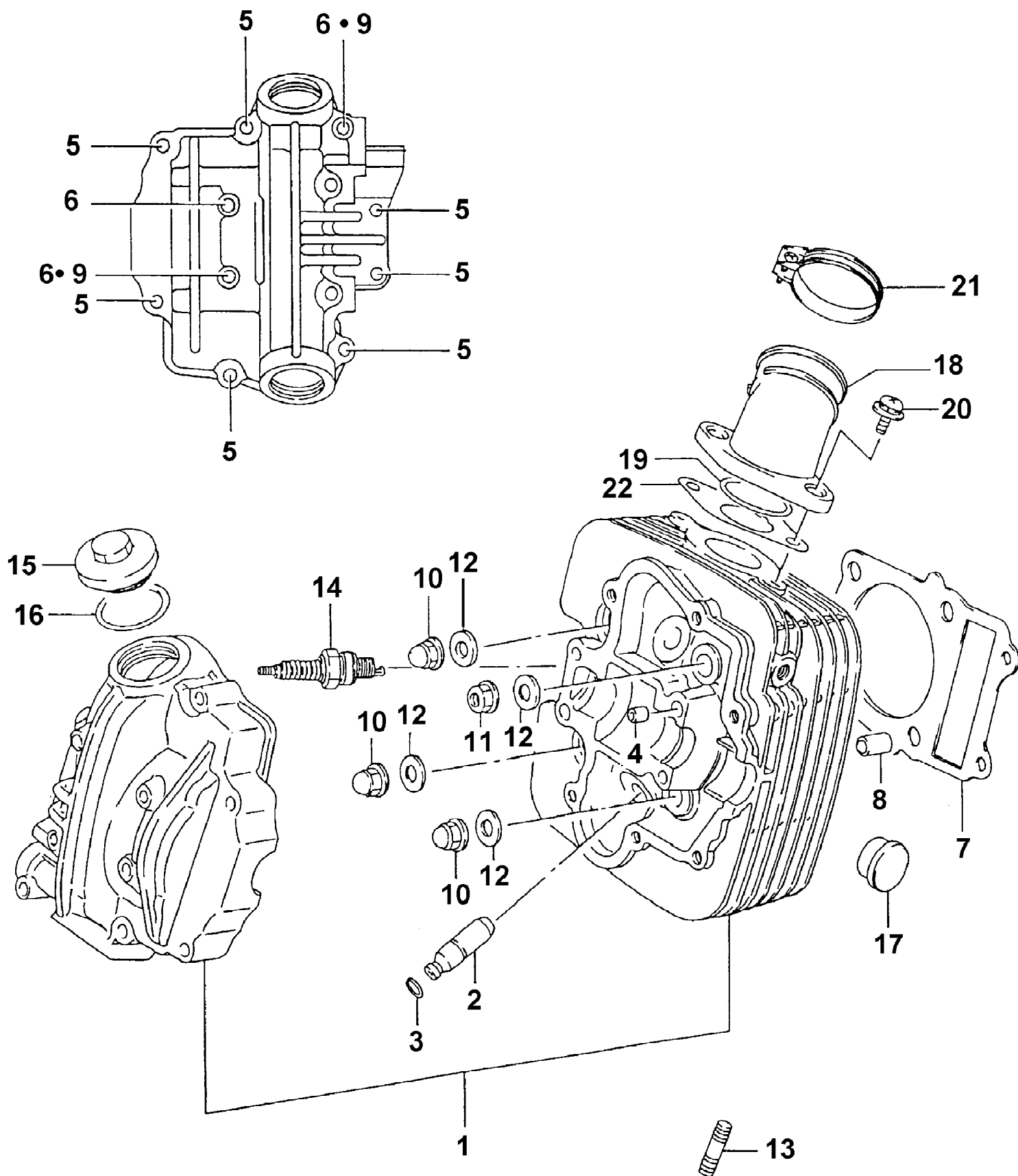
| Ref # | Part Number | Qty | S/P/F | Description |
|-------|-------------|-----|-------|--------------------------------------|
| 1 | 3402-419 | 1 | | Crankshaft Assembly (inc. 2-7) (250) |
| 2 | 3402-418 | 1 | | Rod, Connecting (250) |
| 3 | 3402-422 | 1 | S | Pin, Crank (250) |
| 4 | 3402-406 | 1 | | Bearing (250) |
| 5 | 3005-241 | 2 | | Washer |
| 6 | 3402-420 | 1 | | Crankshaft - Right (250) |
| 7 | 3402-421 | 1 | S | Crankshaft - Left (250) |
| 8 | 3402-216 | 1 | | Bearing - Right |
| 9 | 3402-221 | 1 | | Bearing - Middle |
| 10 | 3402-180 | 1 | S | Bearing - Left (250) |
| 11 | 3423-053 | 1 | /P | O-Ring |
| 12 | 3402-428 | 1 | | Gear, Oil Pump Drive (250) |
| 13 | 3423-114 | 1 | /P | Pin |
| 14 | 3402-415 | 1 | | Piston |
| 15 | 3402-416 | 1 | | Ring Set, Piston (250) |
| 15 | 3436-013 | 1 | | Ring Set, Piston (+0.5 mm) (250) |
| 15 | 3436-014 | 1 | | Ring Set, Piston (+1.0 mm) (250) |
| 16 | 3402-417 | 1 | | Pin, Piston (250) |
| 17 | 3423-366 | 2 | | Circlip (250) |
| 18 | 3402-227 | 1 | | Seal, Oil |
| 19 | 3402-423 | 1 | | Piston Set (+0.5 mm) (250) |
| 19 | 3402-424 | 1 | | Piston Set (+1.0 mm) (250) |



1999 ATV 250 2X4 (99A2J-AP-1999)
CYLINDER ASSEMBLY

Page 22 of 78

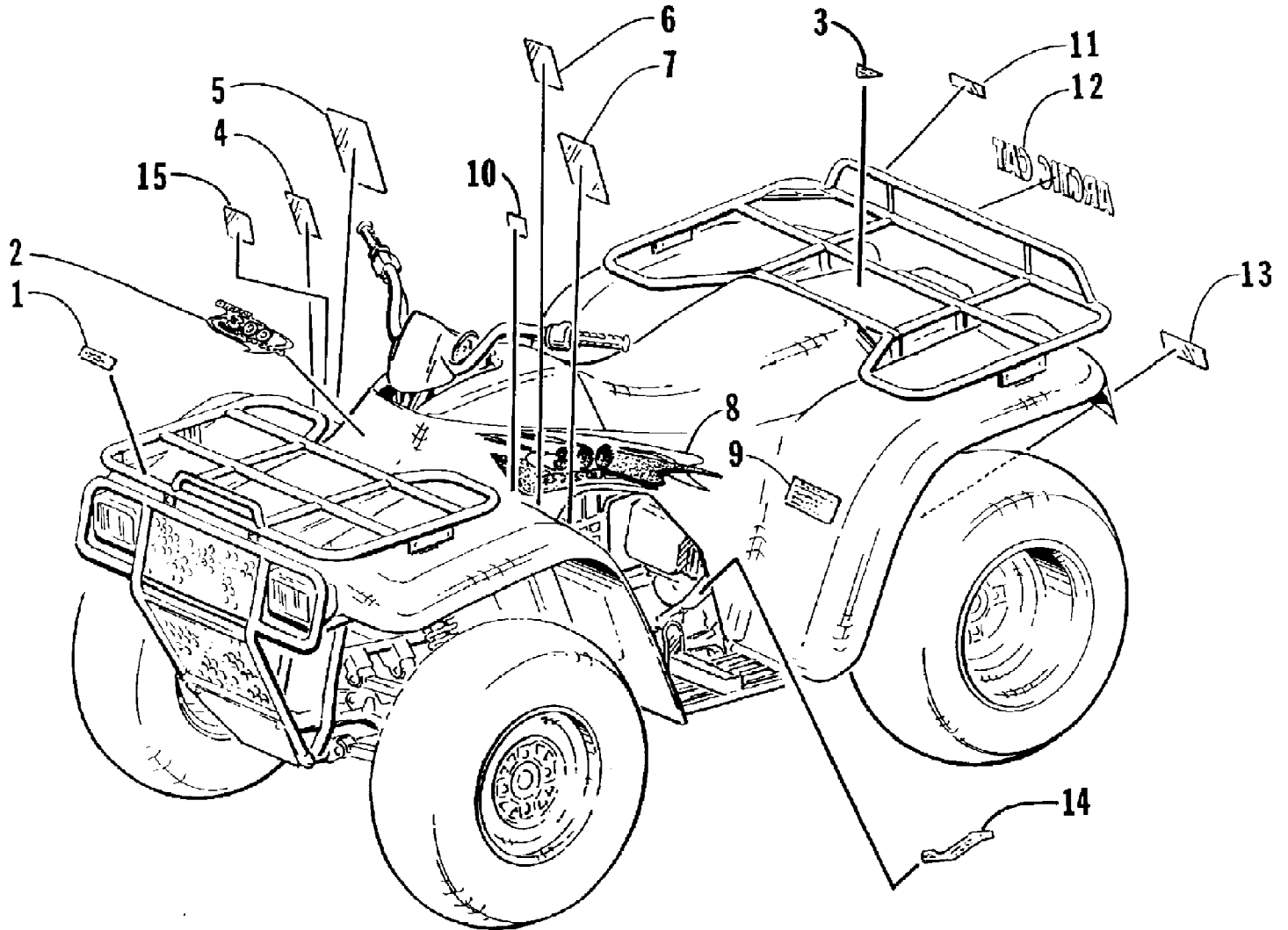
| Ref # | Part Number | Qty | S/P/F | Description |
|-------|-------------|-----|-------|------------------------|
| 1 | 3402-409 | 1 | | Cylinder (250) |
| 2 | 3423-365 | 2 | | Bolt, Stud (250) |
| 3 | 3423-364 | 2 | | Bolt, Stud (250) |
| 4 | 3423-089 | 2 | S | Bolt, Stud |
| 5 | 3423-237 | 2 | | Bolt, Stud |
| 6 | 3004-488 | 4 | S/P | Nut |
| 7 | 3402-410 | 1 | | Gasket, Cylinder (250) |
| 8 | 3423-306 | 2 | | Pin |
| 9 | 3005-226 | 1 | /P | O-Ring |



1999 ATV 250 2X4 (99A2J-AP-1999)
CYLINDER HEAD ASSEMBLY

Page 24 of 78

| Ref # | Part Number | Qty | S/P/F | Description |
|-------|-------------|-----|-------|--------------------------------------------|
| 1 | 3402-246 | 1 | | Head, Cylinder - Assembly (inc. 2-6) (250) |
| 2 | 3402-247 | 2 | | . Guide, Valve |
| 3 | 3423-068 | 2 | | . Ring, Valve Guide |
| 4 | 3423-043 | 2 | /P | . Pin |
| 5 | 3004-426 | 7 | S | . Screw, Cap |
| 6 | 3423-304 | 3 | S | . Screw, Cap |
| 7 | 3402-408 | 1 | | Gasket, Cylinder Head (250) |
| 8 | 3004-822 | 2 | | Pin |
| 9 | 3003-290 | 2 | /P | Gasket |
| 10 | 3423-257 | 3 | | Nut |
| 11 | 3004-326 | 1 | S/P | Nut |
| 12 | 3005-243 | 4 | | Gasket |
| 13 | 3003-032 | 2 | S | Bolt, Stud |
| 14 | 0217-713 | 1 | | Spark Plug (NGK DR7EA) |
| 15 | 3402-249 | 2 | | Cap, Inspection |
| 16 | 3423-275 | 2 | | O-Ring |
| 17 | 3402-213 | 1 | | Plug, Head |
| 18 | 3402-297 | 1 | S | Pipe, Intake |
| 19 | 3423-276 | 1 | | O-Ring |
| 20 | 3423-305 | 2 | S | Screw, Cap |
| 21 | 3402-086 | 1 | /P | Clamp |
| 22 | 3402-298 | 1 | | Gasket, Intake Pipe |

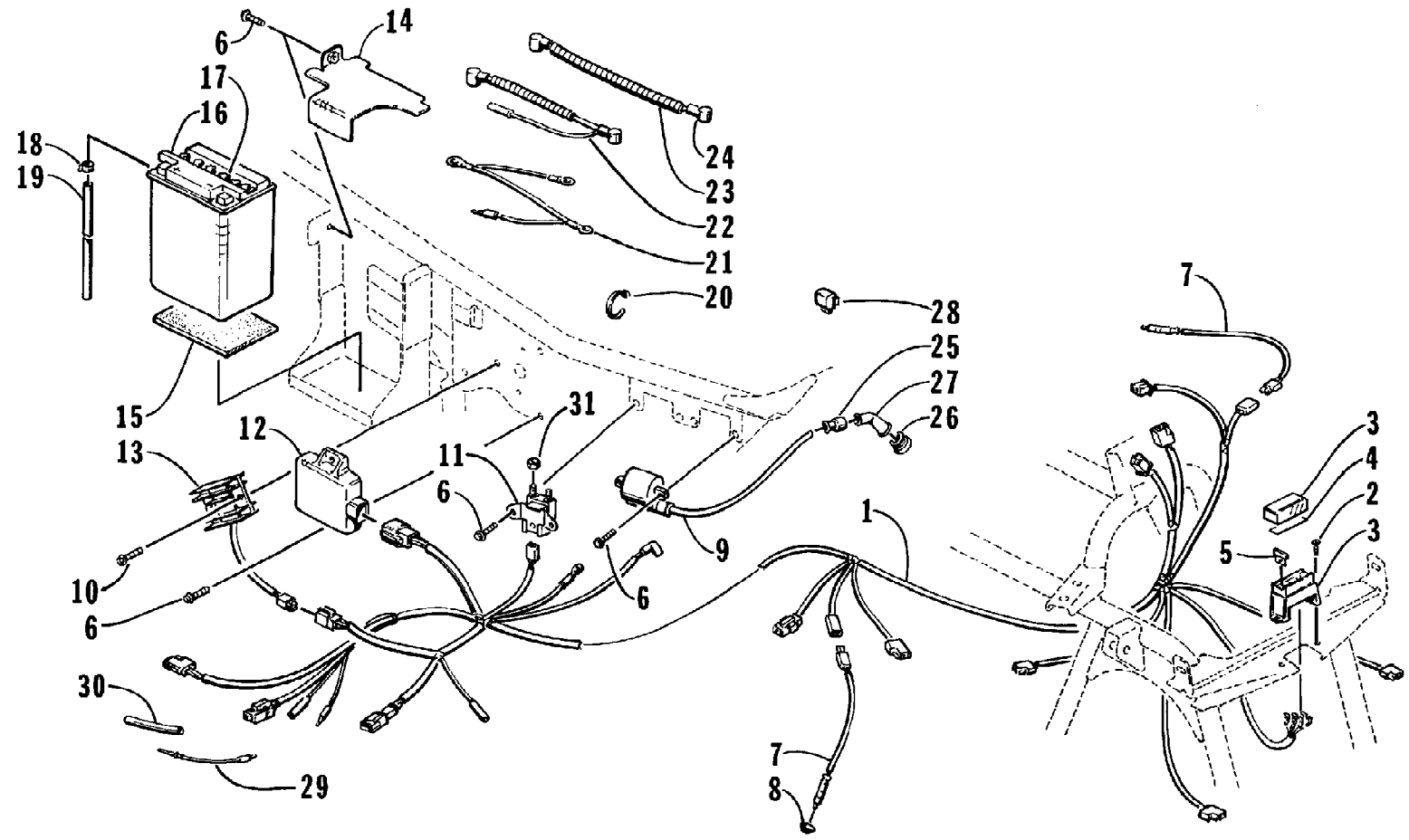


1999 ATV 250 2X4 (99A2J-AP-1999)
DECALS

Page 26 of 78

| Ref # | Part Number | Qty | S/P/F | Description |
|-------|-------------|-----|-------|--------------------------------------------|
| 1 | 0411-082 | 1 | | Decal, Warning - Front Rack Load |
| 2 | 0411-178 | 1 | | Decal, Front (2x4) (250) (Red) |
| 3 | 3611-002 | 1 | | Decal, "Made In U.S.A." |
| 4 | 0411-045 | 1 | | Decal, Warning - Turn |
| 5 | 0411-008 | 1 | /P | Decal, Warning Reverse/Pre Ride |
| 6 | 0411-040 | 1 | | Decal, Warning - Age |
| 7 | 0411-010 | 1 | | Decal, Warning - General |
| 8 | 0411-176 | 1 | | Decal, Side Right (2x4) (250) (Red) |
| 8 | 0411-177 | 1 | | Decal, Side Left (2x4) (250) (Red) |
| 9 | 0411-179 | 1 | | Decal, Warning - Tire Pressure (2x4) (250) |
| 10 | 0411-086 | 1 | | Decal, Shift Pattern |
| 11 | 0411-083 | 1 | | Decal, Warning - Rear Rack Load |
| 12 | 0411-043 | 1 | /P | Decal, "Arctic Cat" |
| 13 | 0411-142 | 1 | | Decal, Warning - Towing |
| 14 | 0411-088 | 1 | | Decal, Hi/Low Range (2x4) |
| 15 | 0411-145 | 1 | | Decal, 2x4/4x4 Shift (4x4) |

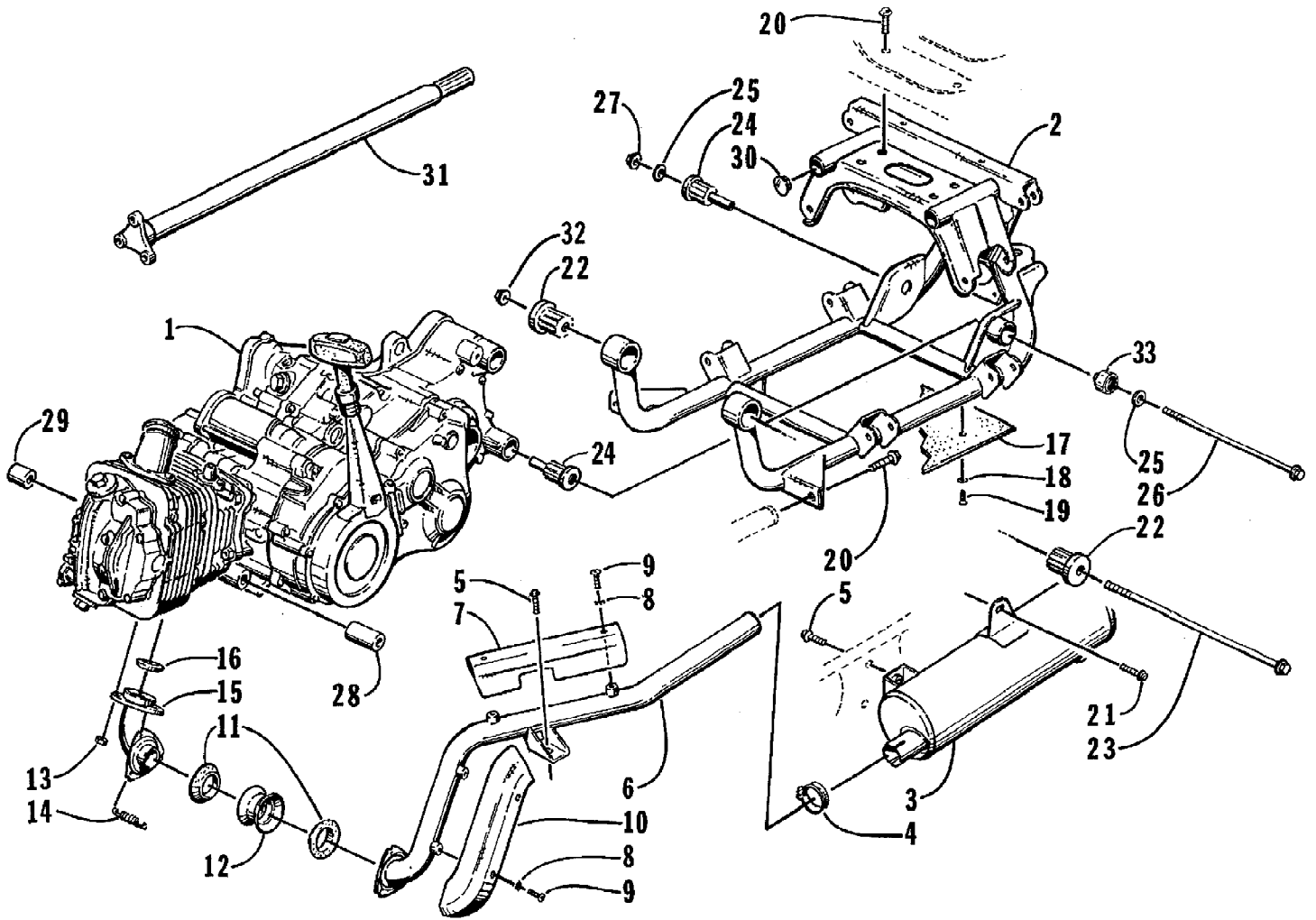
1999 ATV 250 2X4 (99A2J-AP-1999)
ELECTRICAL COMPONENTS



1999 ATV 250 2X4 (99A2J-AP-1999)
ELECTRICAL COMPONENTS

Page 28 of 78

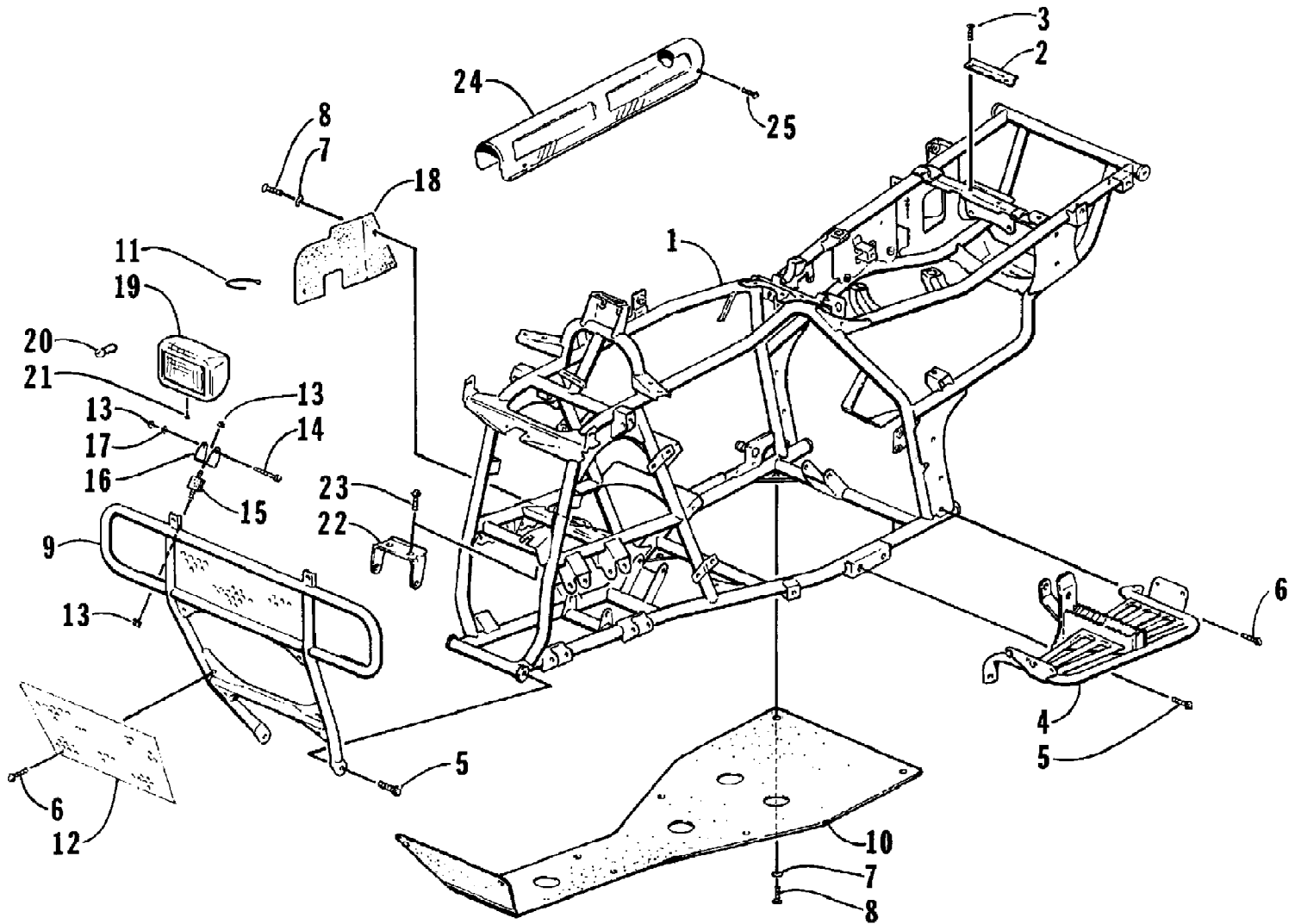
| Ref # | Part Number | Qty | S/P/F | Description |
|-------|-------------|-----|-------|--------------------------|
| 1 | 0486-027 | 1 | | Harness, Main (250) |
| 2 | 0623-361 | 2 | | Screw, Self-Tapping |
| 3 | 0530-003 | 1 | | Fuse Box Assembly |
| 4 | 0411-084 | 1 | | Decal, Fuse Box |
| 5 | 0630-057 | 3 | | Fuse, 10 AMP |
| 6 | 8476-616 | 7 | | Screw, Cap |
| 7 | 0409-009 | 2 | | Switch, Brake |
| 8 | 0402-168 | 1 | /P | Retainer, Switch |
| 9 | 3530-025 | 1 | | Coil, Ignition (250) |
| 10 | 8476-620 | 2 | | Screw, Cap |
| 11 | 3530-015 | 1 | S | Relay, Starter (250) |
| 12 | 3530-024 | 1 | | CDI Unit (250) |
| 13 | 3530-014 | 1 | /P | Regulator, Voltage |
| 14 | 0506-254 | 1 | S | Bracket, Battery |
| 15 | 0406-380 | 1 | | Pad, Battery |
| 16 | 0645-063 | 1 | S | Battery (inc. 17-19) |
| 17 | 0645-045 | 6 | | Cap, Battery |
| 18 | 0645-152 | 1 | | Clamp, Hose |
| 19 | 0645-263 | 1 | /P | Hose, Battery Vent |
| 20 | 0123-788 | 0 | /P | Tie, Cable |
| 21 | 0445-010 | 1 | | Cable, Battery - Ground |
| 22 | 0445-011 | 1 | | Cable, Battery - Relay |
| 23 | 0445-012 | 1 | | Cable, Battery - Starter |
| 24 | 0645-019 | 4 | | Bolt, Terminal - Battery |
| 25 | 3430-009 | 1 | /P | Seal, High Tension Cord |
| 26 | 3430-026 | 1 | | Seal, Spark Plug |
| 27 | 3430-007 | 1 | /P | Cap, Spark Plug |
| 28 | 3530-008 | 1 | S | Relay, Neutral Start |
| 29 | 0486-012 | 1 | | Harness, Neutral Jumper |
| 30 | 0486-013 | 1 | | Tube, Heat Spring |
| 31 | 0624-250 | 2 | | Nut, Starter Relay |



1999 ATV 250 2X4 (99A2J-AP-1999)
ENGINE AND RELATED PARTS

Page 30 of 78

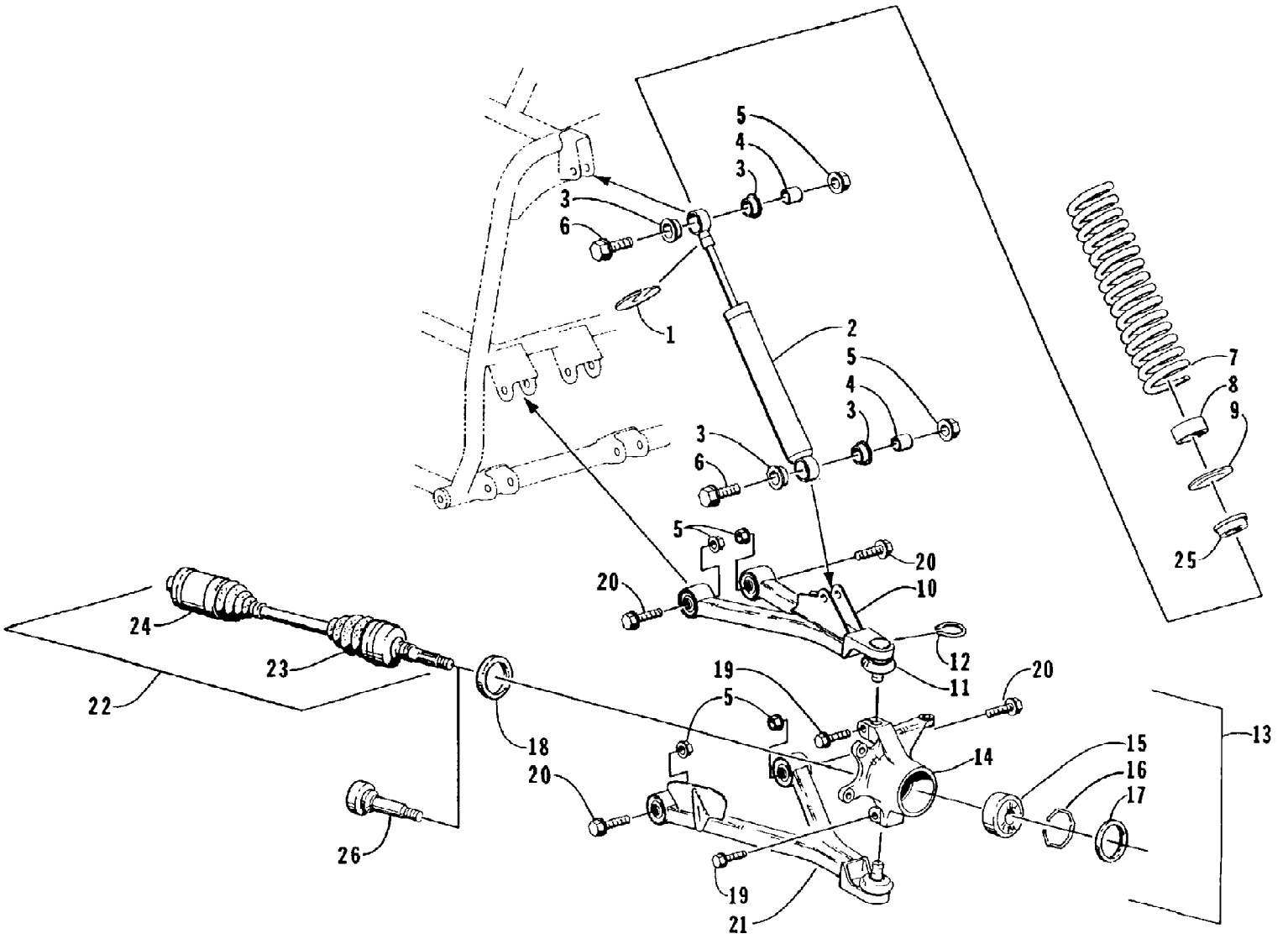
| Ref # | Part Number | Qty | S/P/F | Description |
|-------|-------------|-----|-------|-----------------------------------|
| 1 | 0462-012 | 1 | /P | Engine (2x4) (250) |
| 2 | 0506-301 | 1 | /P | Frame, Sub (inc. 33) |
| 3 | 0436-182 | 1 | /P | Muffler (250) |
| 4 | 0423-092 | 1 | | Clamp, Exhaust |
| 5 | 8408-812 | 2 | | Screw, Cap |
| 6 | 0512-004 | 1 | | Pipe, Exhaust |
| 7 | 0412-024 | 1 | | Cover, Exhaust - Rear |
| 8 | 8053-211 | 4 | S | Washer, Lock |
| 9 | 8477-610 | 4 | | Screw, Cap |
| 10 | 0412-023 | 1 | | Cover, Exhaust |
| 11 | 0612-887 | 2 | /P | Gasket, Exhaust |
| 12 | 0412-031 | 1 | S | Coupler, Exhaust |
| 13 | 8424-802 | 2 | | Nut |
| 14 | 0123-321 | 3 | /P | Spring, Extension |
| 15 | 0512-008 | 1 | | Pipe, Header |
| 16 | 3402-300 | 1 | | Seal, Exhaust Pipe |
| 17 | 0406-344 | 1 | S | Panel, Belly - Subframe |
| 18 | 0423-010 | 8 | | Washer, Shoulder |
| 19 | 8474-616 | 8 | | Screw, Cap |
| 20 | 8409-020 | 6 | /P | Screw, Cap |
| 21 | 8408-816 | 1 | | Screw, Cap |
| 22 | 3402-264 | 2 | | Mount, Motor |
| 23 | 3423-236 | 1 | /P | Screw, Cap |
| 24 | 3402-263 | 4 | | Mount, Motor |
| 25 | 8050-272 | 4 | | Washer |
| 26 | 3423-235 | 2 | /P | Screw, Cap |
| 27 | 8422-002 | 2 | | Nut |
| 28 | 0402-231 | 1 | | Spacer, Engine Mount - Long |
| 29 | 0402-232 | 1 | | Spacer, Engine Mount - Short |
| 30 | 0406-320 | 2 | | Cap, Subframe |
| 32 | 8422-202 | 1 | | Nut, Motor Mount - Front |
| 33 | 3402-232 | 4 | | Bushing, Sub Frame - Engine Mount |



1999 ATV 250 2X4 (99A2J-AP-1999)
 FRAME AND RELATED PARTS

Page 32 of 78

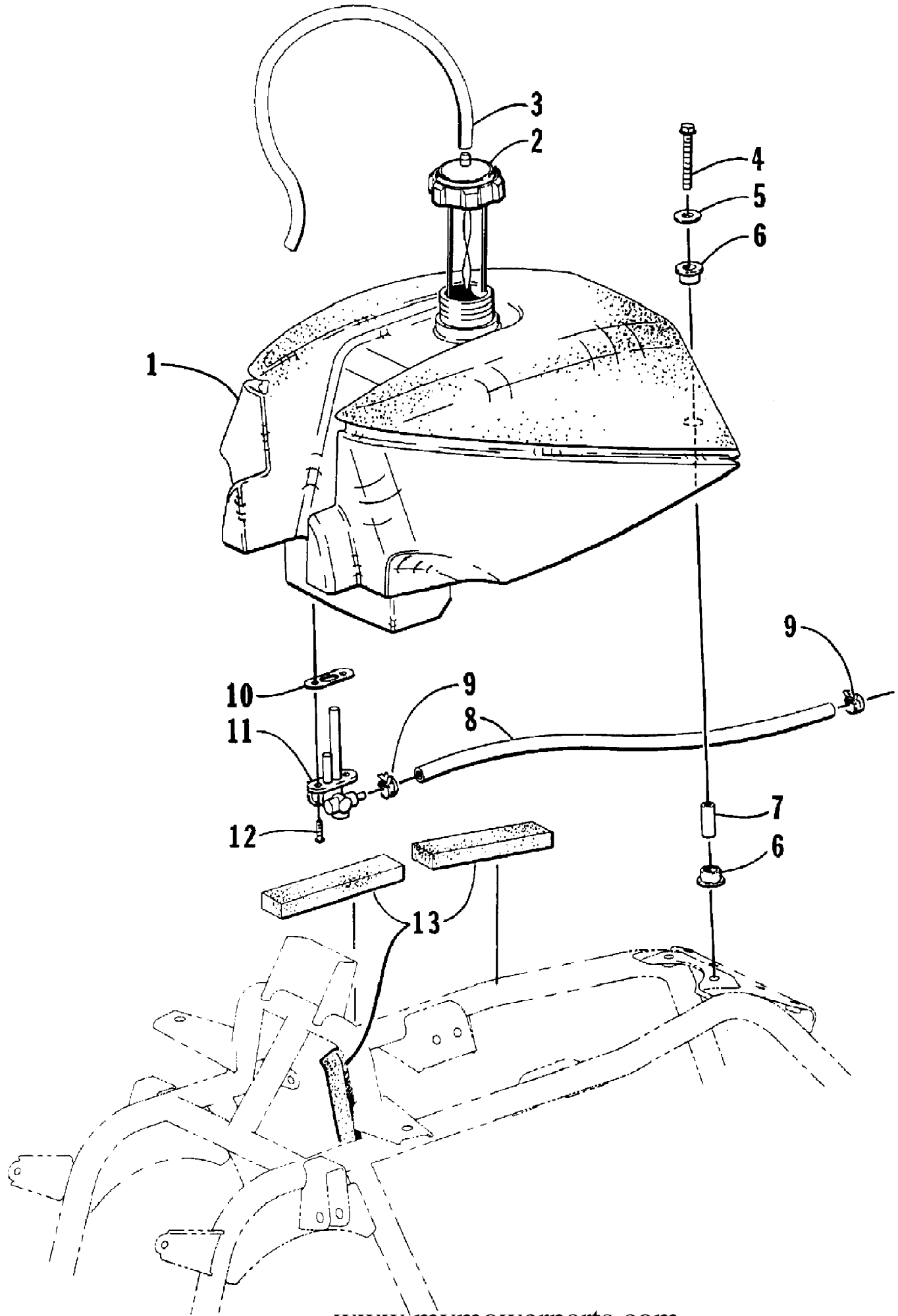
| Ref # | Part Number | Qty | S/P/F | Description |
|-------|-------------|-----|-------|---------------------------------|
| 1 | 0506-188 | 1 | S | Frame, Main (2x4) |
| 2 | 0406-372 | 1 | S | Bracket, Body Holddown |
| 3 | 8476-616 | 2 | | Screw, Machine |
| 4 | 0506-176 | 1 | S | Footrest - Right |
| 4 | 0506-217 | 1 | | Footrest - Left |
| 5 | 8409-020 | 6 | /P | Screw, Cap |
| 6 | 8408-816 | 8 | | Screw, Cap |
| 7 | 0423-010 | 12 | | Washer, Shoulder |
| 8 | 8474-616 | 12 | | Screw, Machine |
| 9 | 0506-192 | 1 | | Guard, Brush |
| 10 | 0406-354 | 1 | /P | Panel, Belly |
| 11 | 0123-788 | 6 | /P | Tie, Cable |
| 12 | 0406-175 | 1 | | Screen, Bumper - Lower |
| 13 | 8424-802 | 6 | | Nut |
| 14 | 8408-850 | 2 | | Screw, Cap |
| 15 | 0406-262 | 2 | S | Mount, Headlight |
| 16 | 0406-261 | 2 | | Yoke, Headlight |
| 17 | 8053-242 | 2 | /P | Washer, Lock |
| 18 | 0406-300 | 2 | | Panel, Inner Fender |
| 19 | 0409-001 | 2 | | Headlight Assembly (inc. 20-21) |
| 20 | 0409-005 | 2 | | Bulb, Headlight |
| 21 | 0123-950 | 2 | | Screw, Machine |



1999 ATV 250 2X4 (99A2J-AP-1999)
FRONT SUSPENSION ASSEMBLY

Page 34 of 78

| Ref # | Part Number | Qty | S/P/F | Description |
|-------|-------------|-----|-------|--------------------------------------------|
| 1 | 0603-033 | 2 | S | Retainer, Spring |
| 2 | 0403-036 | 2 | | Shock Absorber - Front (inc. 3-4) (2x4) |
| 3 | 0604-310 | 8 | | Bushing, Shock Absorber |
| 4 | 0403-028 | 4 | | Sleeve, Shock |
| 5 | 8428-002 | 12 | | Nut, Lock |
| 6 | 8409-040 | 4 | | Screw, Cap |
| 7 | 0403-037 | 2 | | Spring, Shock Absorber (2x4) |
| 8 | 0403-025 | 2 | /P | Collar, Spring |
| 9 | 0403-013 | 2 | | Washer, Spring |
| 10 | 0503-026 | 1 | S/P | A-Arm, Upper Right - Assembly (inc. 11-12) |
| 10 | 0503-027 | 1 | S/P | A-Arm, Upper Left - Assembly (inc. 11-12) |
| 11 | 0405-001 | 4 | S | Ball Joint - Front |
| 12 | 0423-009 | 4 | /P | Clip, Ball Joint |
| 13 | 0505-026 | 1 | S/P | Knuckle - Assembly - Right (inc. 14-18) |
| 13 | 0505-027 | 1 | S/P | Knuckle - Assembly - Left (inc. 14-18) |
| 14 | 0505-024 | 1 | S | Knuckle, Steering - Right |
| 14 | 0505-025 | 1 | S | Knuckle, Steering - Left |
| 15 | 0402-275 | 2 | /P | Bearing, Wheel Hub - Front |
| 16 | 0423-034 | 2 | | Clip, Bearing |
| 17 | 0402-089 | 2 | | Seal, Wheel Bearing - Front |
| 18 | 0402-069 | 2 | | Seal, Wheel Bearing - Front |
| 19 | 8409-030 | 4 | | Screw, Cap |
| 20 | 8409-060 | 8 | | Screw, Cap |
| 21 | 0503-036 | 1 | S | A-Arm, Lower Right (inc. 11-12) (2x4) |
| 21 | 0503-037 | 1 | S | A-Arm, Lower Left (inc. 11-12) (2x4) |
| 25 | 0403-027 | 2 | | Retainer, Spring - Lower |
| 26 | 0402-183 | 2 | | Axle, Stub (2x4) |



1999 ATV 250 2X4 (99A2J-AP-1999)
FUEL TANK ASSEMBLY

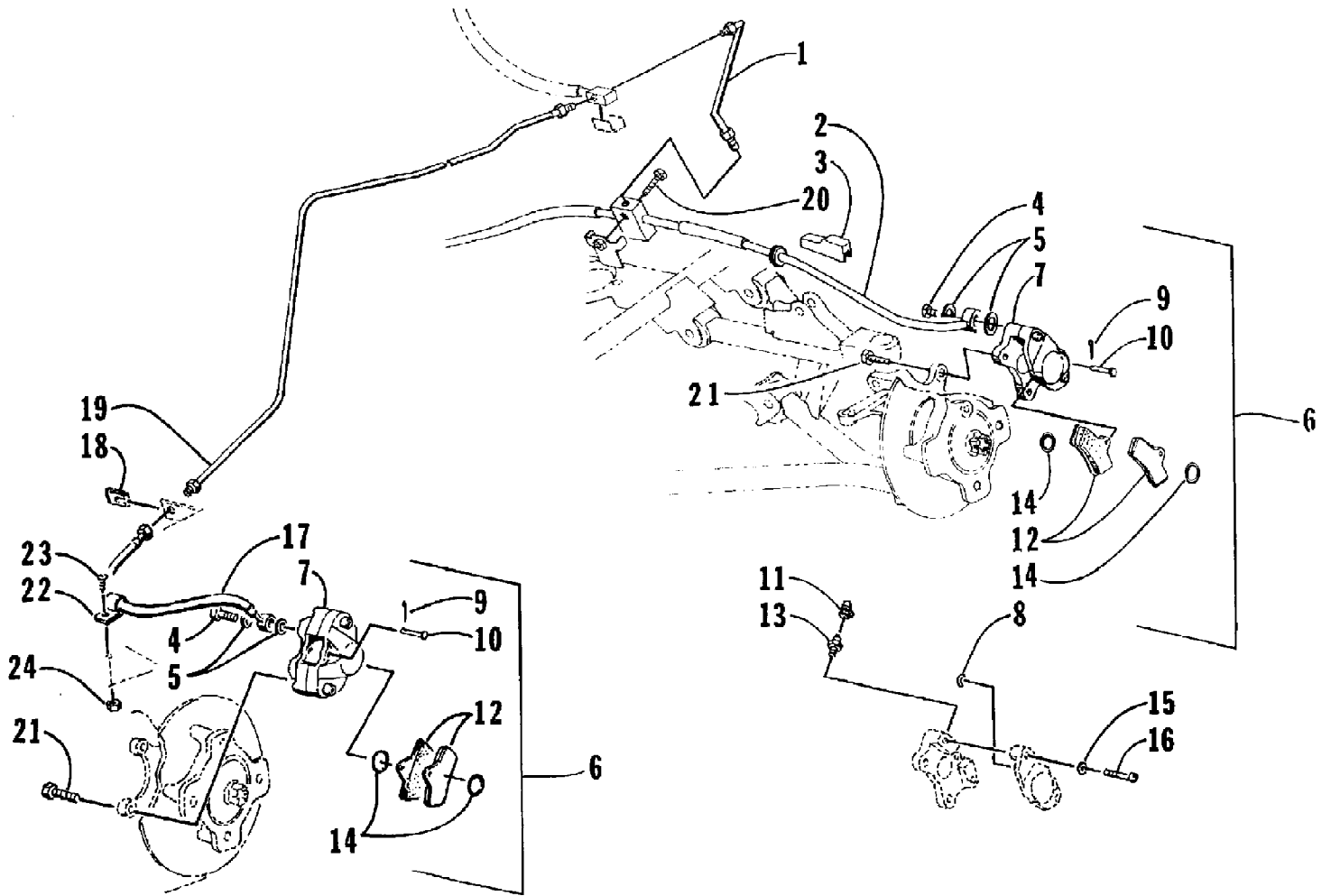
Page 36 of 78

| Ref # | Part Number | Qty | S/P/F | Description |
|-------|-------------|-----|-------|--------------------------------------|
| 1 | 0570-028 | 1 | | Tank, Fuel (inc. 2-3 and 6-12) (250) |
| 2 | 0470-368 | 1 | | Cap, Fuel Tank (inc. 3) (250) |
| 3 | 0470-316 | 1 | | Line, Fuel Cap Vent |
| 4 | 8476-650 | 2 | | Screw, Cap |
| 5 | 0623-184 | 2 | | Washer |
| 6 | 0406-169 | 4 | | Bushing, Fuel Tank Mount |
| 7 | 0406-170 | 2 | | Collar, Fuel Tank Mount |
| 8 | 0610-007 | 0 | /P | Line, Fuel |
| 9 | 0423-048 | 2 | | Clamp, Hose - Spring |
| 10 | 0470-364 | 1 | | Gasket, Fuel |
| 11 | 0470-365 | 1 | /P | Valve, Shut-Off (inc. 10) |
| 12 | 8471-616 | 2 | | Screw, Cap |
| 13 | 0417-001 | 7 | | Pad, Fuel Tank |

1999 ATV 250 2X4 (99A2J-AP-1999)
GEAR SHIFTING ASSEMBLY

Page 38 of 78

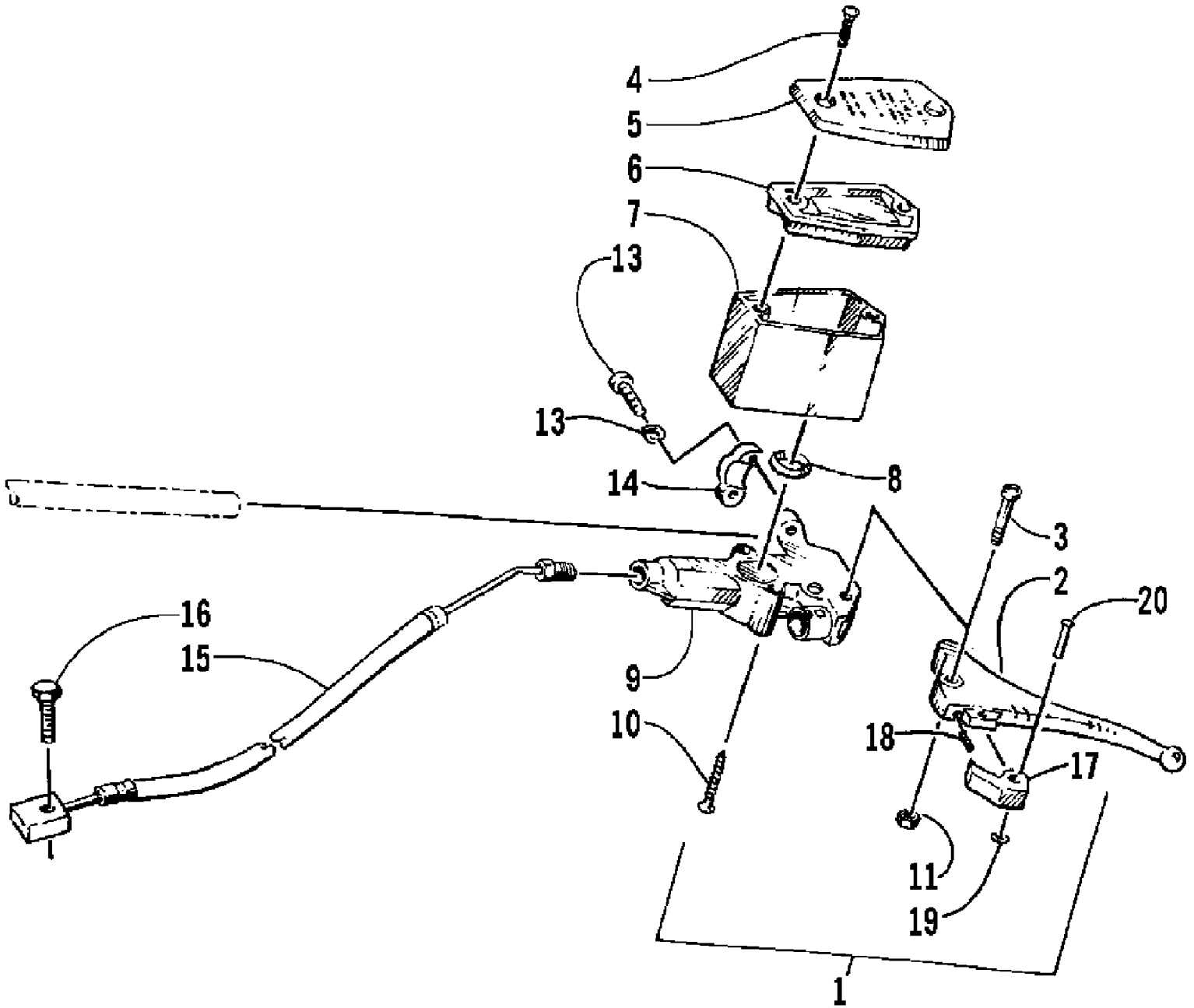
| Ref # | Part Number | Qty | S/P/F | Description |
|-------|-------------|-----|-------|---------------------------------|
| 1 | 3446-155 | 1 | | Fork, Gear Shifting |
| 2 | 3446-156 | 1 | | Fork, Gear Shifting |
| 3 | 3446-159 | 1 | | Fork, Gear Shifting |
| 4 | 3446-167 | 1 | | Shaft |
| 5 | 3446-157 | 1 | | Fork, Gear Shifting |
| 6 | 3446-051 | 1 | | Shaft |
| 7 | 3446-160 | 1 | | Cam, Gear Shifting (inc. 8) |
| 8 | 3423-114 | 1 | /P | Pin |
| 9 | 3446-162 | 1 | | Retainer, Pin |
| 10 | 3423-045 | 6 | | Pin |
| 11 | 3402-051 | 1 | | Bearing |
| 12 | 3446-163 | 1 | | Retainer |
| 13 | 3446-031 | 1 | /P | Retainer |
| 14 | 3004-552 | 2 | S | Screw, Cap |
| 15 | 3446-165 | 1 | | Stopper, Cam |
| 16 | 3423-240 | 1 | | Screw, Cap |
| 17 | 3423-141 | 1 | | Washer |
| 18 | 3402-240 | 1 | | Spring |
| 19 | 3423-268 | 1 | | Pin |
| 20 | 3446-166 | 1 | | Plate, Stopper |
| 21 | 3004-376 | 1 | S/P | Screw, Cap |
| 22 | 3005-206 | 1 | /P | Pin |
| 23 | 3446-161 | 1 | | Cam, Reverse Shifting |
| 24 | 3423-322 | 1 | | Washer |
| 25 | 3446-164 | 1 | | Stopper, Cam |
| 26 | 3402-012 | 1 | | Gasket |
| 27 | 3446-169 | 1 | | Shaft, Gear Shifting |
| 28 | 3446-170 | 1 | | Arm, Gear Shifting (inc. 29-30) |
| 29 | 3402-312 | 1 | | Spring |
| 30 | 3423-368 | 1 | /P | E-Ring (250) |
| 31 | 3446-171 | 1 | | Arm, Link |
| 32 | 3402-094 | 1 | | Spring |
| 33 | 3446-172 | 1 | | Stopper, Arm |
| 34 | 3402-132 | 1 | | Roller |
| 35 | 3423-233 | 1 | | Screw, Cap |
| 36 | 3423-324 | 1 | | Washer |
| 37 | 3402-076 | 2 | | Seal, Oil |
| 38 | 3446-055 | 1 | | Arm |
| 39 | 3446-115 | 1 | | Arm, Gear Shifting Cable |
| 40 | 3423-125 | 1 | S | Screw, Cap |
| 41 | 3423-228 | 1 | | Screw, Cap |
| 42 | 3423-204 | 2 | /P | Washer |
| 43 | 3423-168 | 2 | S | E-Ring |
| 44 | 3430-032 | 1 | S | Base, Gear Shift-Assembly |
| 45 | 3423-273 | 1 | | O-Ring |
| 46 | 3423-325 | 2 | S | Screw, Cap |
| 47 | 3423-044 | 1 | | Contact |
| 48 | 3402-087 | 1 | | Spring |



1999 ATV 250 2X4 (99A2J-AP-1999)
HYDRAULIC BRAKE ASSEMBLY

Page 40 of 78

| Ref # | Part Number | Qty | S/P/F | Description |
|-------|-------------|-----|-------|--------------------------------------------------------------------|
| 1 | 0402-053 | 1 | | Tube, Brake Line - Front |
| 2 | 0402-051 | 1 | S | Hose, Brake - Front |
| 3 | 0402-073 | 2 | | Block, Mounting |
| 4 | 0423-038 | 3 | S | Bolt, Oil |
| 5 | 0423-039 | 6 | | Washer, Crush |
| 6 | 0402-010 | 1 | /P | Caliper, Brake - Right Front (inc. 7-13 and two No. 14-16) |
| 6 | 0402-011 | 2 | /P | Caliper, Brake - Left Front and Rear (inc. 7-13 and two No. 14-16) |
| 7 | 0 | 3 | F | Housing, Caliper |
| 8 | 0402-164 | 3 | | O-Ring |
| 9 | 0117-868 | 3 | | Pin, Cotter |
| 10 | 0402-142 | 3 | | Pin, Hydraulic Brake Caliper |
| 11 | 0402-143 | 3 | | Cap, Bleeder Valve |
| 12 | 0402-096 | 6 | S | Pad, Hydraulic Brake |
| 13 | 0402-167 | 3 | | Valve, Bleeder |
| 14 | 0402-141 | 6 | | O-Ring, Hydraulic Brake Caliper |
| 15 | 0402-165 | 6 | | Washer |
| 16 | 0402-166 | 6 | S | Screw, Socket Head |
| 17 | 0402-254 | 1 | S | Hose, Brake - Rear |
| 18 | 0402-115 | 1 | S | Clip, Brake Line |
| 19 | 0402-170 | 1 | | Tube, Brake Line - Rear |
| 20 | 8476-625 | 1 | | Screw, Cap |
| 21 | 8408-825 | 6 | | Screw, Cap |
| 22 | 0123-269 | 1 | | Clamp, Cable |
| 23 | 8476-612 | 1 | | Screw, Machine |
| 24 | 0624-250 | 1 | | Nut |

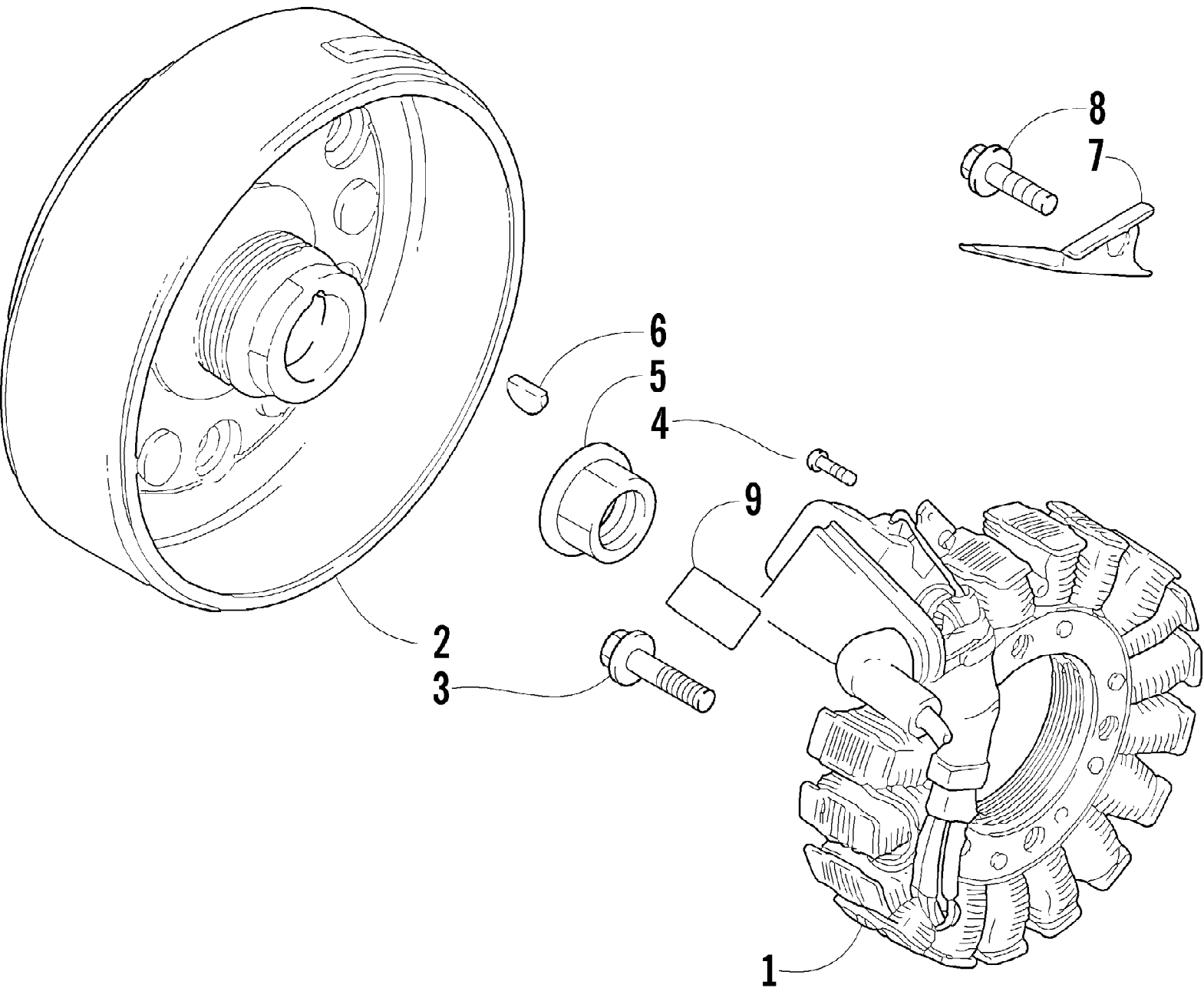


1999 ATV 250 2X4 (99A2J-AP-1999)
HYDRAULIC BRAKE CONTROL ASSEMBLY

Page 42 of 78

| Ref # | Part Number | Qty | S/P/F | Description |
|-------|-------------|-----|-------|---------------------------------------------|
| 1 | 0502-061 | 1 | S | Brake, Lever - Assembly (inc. 2-14 & 17-20) |
| 2 | 0402-242 | 1 | S | Lever, Brake |
| 3 | 0623-430 | 1 | /P | Bolt, Lever Mounting |
| 4 | 0623-506 | 2 | | Screw, Cover - Master Cylinder |
| 5 | 0602-742 | 1 | | Cover, Master Cylinder |
| 6 | 0602-741 | 1 | | Gasket, Cover - Master Cylinder |
| 7 | 0602-740 | 1 | | Reservoir, Hydraulic Brake |
| 8 | 0602-587 | 1 | | O-Ring, Reservoir |
| 9 | 0 | 1 | F | Master Cylinder |
| 10 | 0623-432 | 2 | | Screw, Reservoir Mount |
| 11 | 0623-056 | 1 | | Nut, Lock |
| 12 | 8052-212 | 2 | | Washer, Lock |
| 13 | 0623-629 | 2 | S | Screw, Clamp |
| 14 | 0602-907 | 1 | | Clamp |
| 15 | 0402-050 | 1 | S | Hose, Master Cylinder |
| 16 | 8476-625 | 1 | | Screw, Cap |
| 17 | 0402-240 | 1 | S | Wedge, Parking Brake |
| 18 | 0402-245 | 1 | | Spring |
| 19 | 0423-090 | 1 | | Nut, Press |
| 20 | 0402-246 | 1 | | Pin |

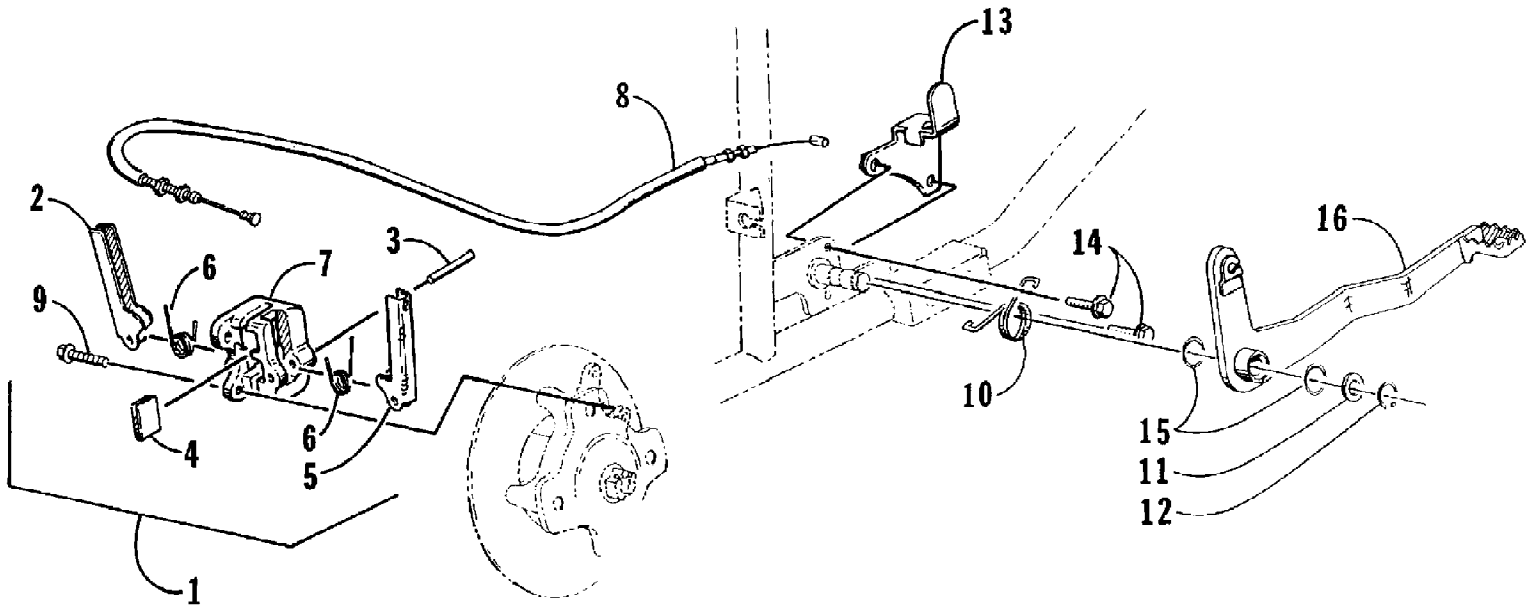
1999 ATV 250 2X4 (99A2J-AP-1999)
MAGNETO ASSEMBLY



1999 ATV 250 2X4 (99A2J-AP-1999)
MAGNETO ASSEMBLY

Page 44 of 78

| Ref # | Part Number | Qty | S/P/F | Description |
|-------|-------------|-----|-------|------------------------|
| 1 | 3430-021 | 1 | S | Stator Assembly |
| 2 | 3430-039 | 1 | | Rotor (250) |
| 3 | 3004-756 | 3 | S | Bolt, Magneto |
| 4 | 3423-326 | 2 | S | Screw, Cap |
| 5 | 3423-086 | 1 | | Nut, Magneto |
| 6 | 3004-540 | 1 | /P | Key |
| 7 | 3430-023 | 1 | | Plate |
| 8 | 3423-112 | 1 | S | Screw, Cap |
| 9 | 3430-036 | 1 | | Sheet, Heat Protection |

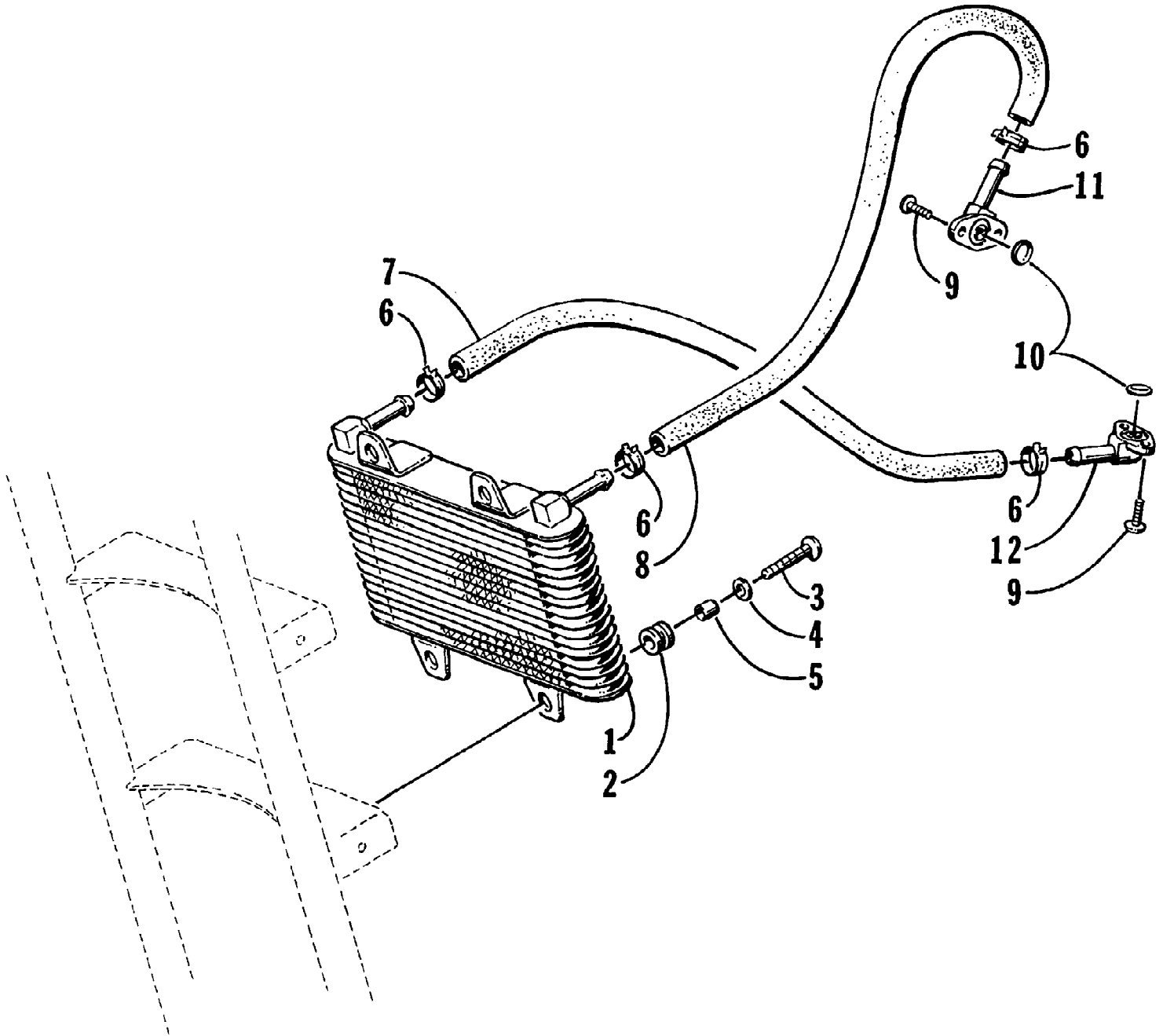


1999 ATV 250 2X4 (99A2J-AP-1999)
MECHANICAL BRAKE ASSEMBLY

Page 46 of 78

| Ref # | Part Number | Qty | S/P/F | Description |
|-------|-------------|-----|-------|----------------------------------------|
| 1 | 0502-115 | 1 | S | Mechanical Brake - Assembly (inc. 2-7) |
| 2 | 0 | 1 | F | Arm, Inner |
| 3 | 0 | 2 | F | Pin, Arm |
| 4 | 0402-210 | 2 | S | Pad, Mechanical Brake |
| 5 | 0 | 1 | F | Arm, Outer |
| 6 | 0 | 2 | F | Spring, Arm |
| 7 | 0 | 1 | F | Housing, Mechanical Brake |
| 8 | 0487-010 | 1 | | Cable, Brake - Rear |
| 9 | 8408-825 | 2 | | Screw, Cap |
| 10 | 0402-161 | 1 | S/P | Spring, Foot Brake |
| 11 | 0423-027 | 1 | | Washer, Brake Lever |
| 12 | 0623-237 | 1 | /P | Ring, Snap |
| 13 | 0502-056 | 1 | | Bracket, Brake Switch |
| 14 | 8476-616 | 2 | | Screw, Cap |
| 15 | 0670-183 | 2 | | O-Ring |
| 16 | 0502-095 | 1 | /P | Lever, Foot Brake |

1999 ATV 250 2X4 (99A2J-AP-1999)
OIL COOLER ASSEMBLY

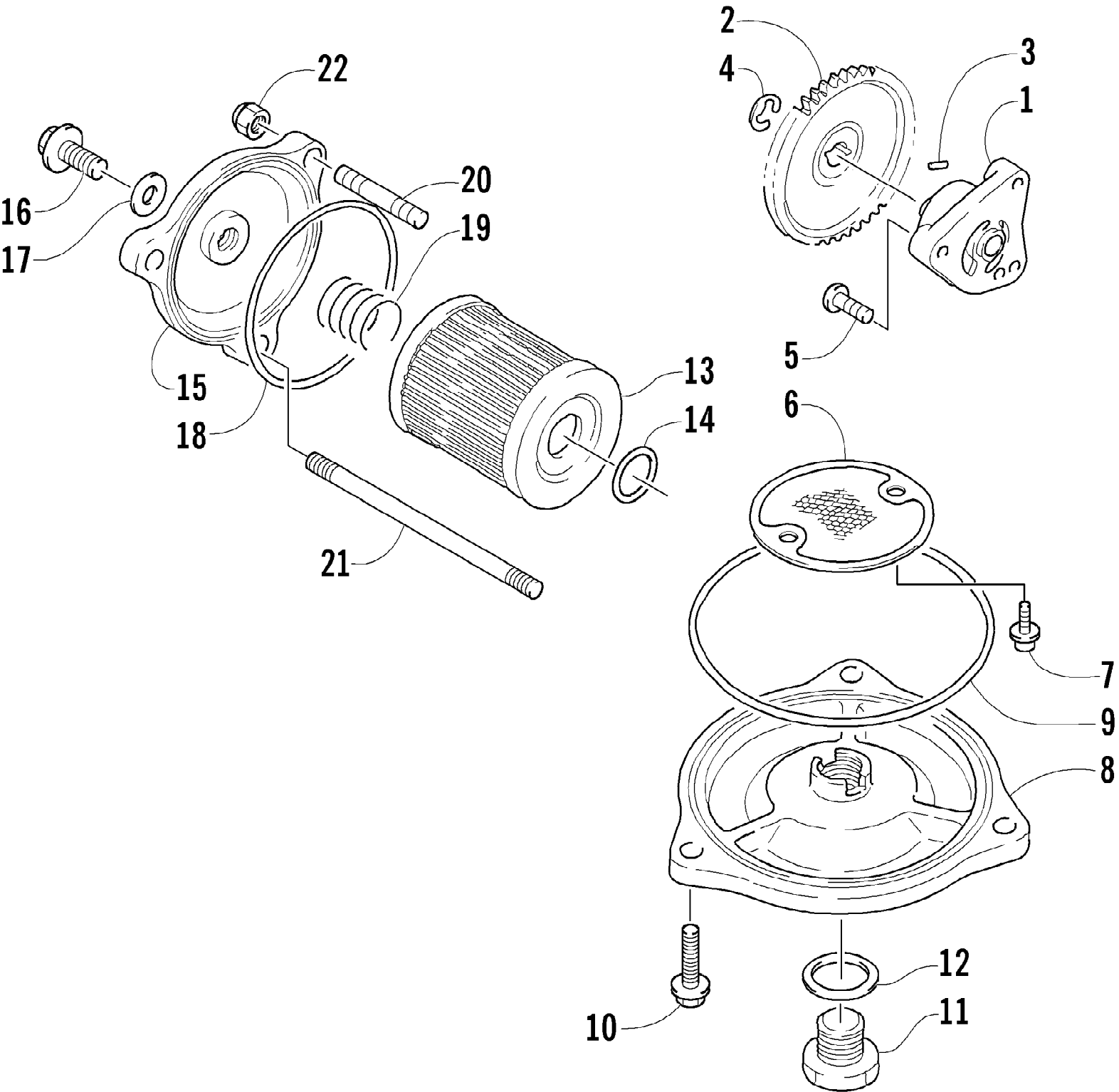


1999 ATV 250 2X4 (99A2J-AP-1999)
OIL COOLER ASSEMBLY

Page 48 of 78

| Ref # | Part Number | Qty | S/P/F | Description |
|-------|-------------|-----|-------|-----------------------|
| 1 | 0413-011 | 1 | /P | Cooler, Oil |
| 2 | 0423-086 | 4 | | Grommet |
| 3 | 8476-620 | 4 | | Screw, Cap |
| 4 | 8050-217 | 4 | /P | Washer |
| 5 | 0423-036 | 4 | | Collar |
| 6 | 0423-098 | 4 | /P | Clamp, Hose |
| 7 | 0410-006 | 1 | | Hose, Oil - Output |
| 8 | 0410-007 | 1 | | Hose, Oil - Input |
| 9 | 8471-616 | 4 | | Screw, Cap |
| 10 | 0423-089 | 2 | | O-Ring, Oil Fitting |
| 11 | 0410-012 | 1 | | Fitting, Oil - Angled |
| 12 | 0410-013 | 1 | | Fitting, Oil |

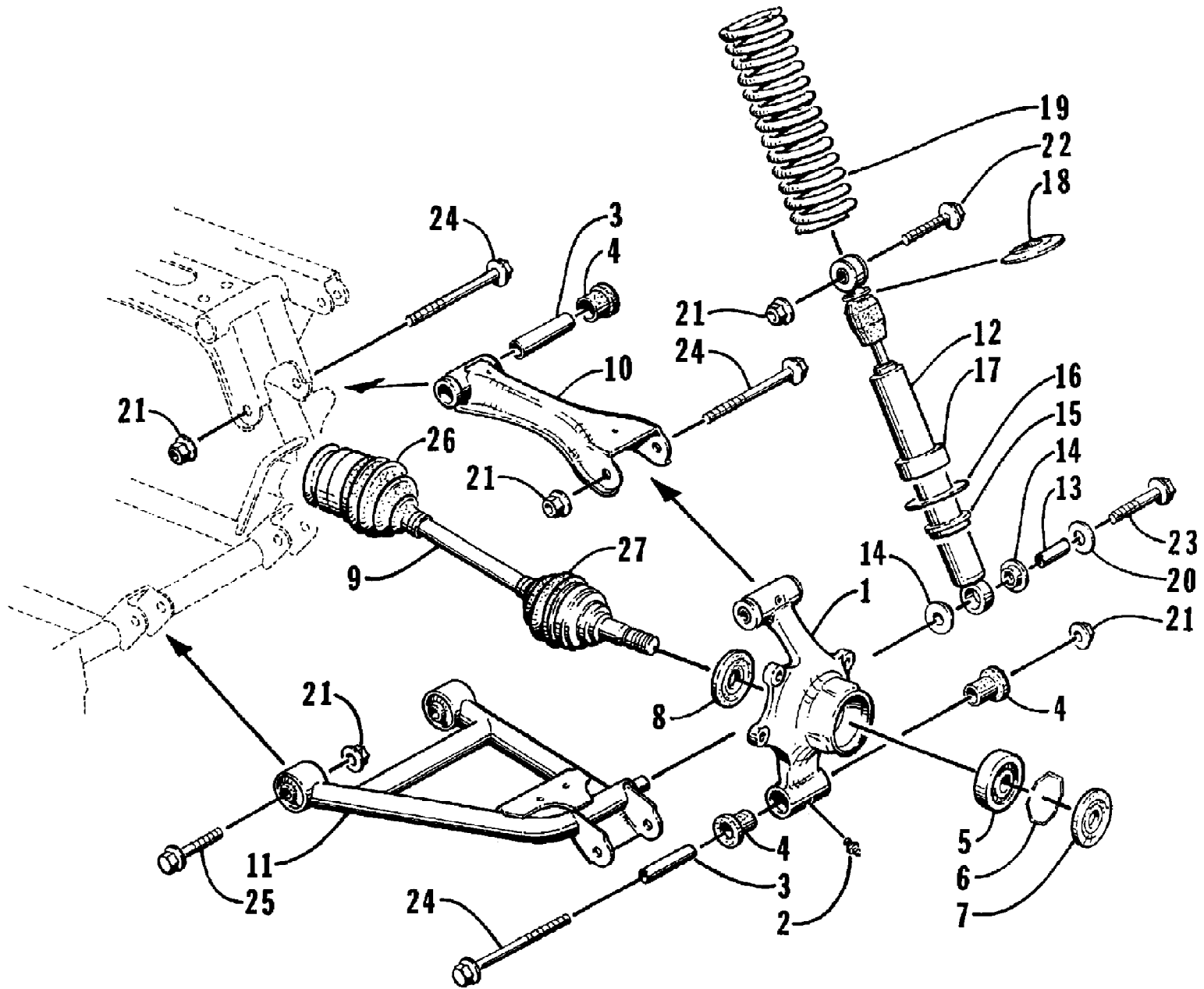
1999 ATV 250 2X4 (99A2J-AP-1999)
OIL PUMP ASSEMBLY



1999 ATV 250 2X4 (99A2J-AP-1999)
OIL PUMP ASSEMBLY

Page 50 of 78

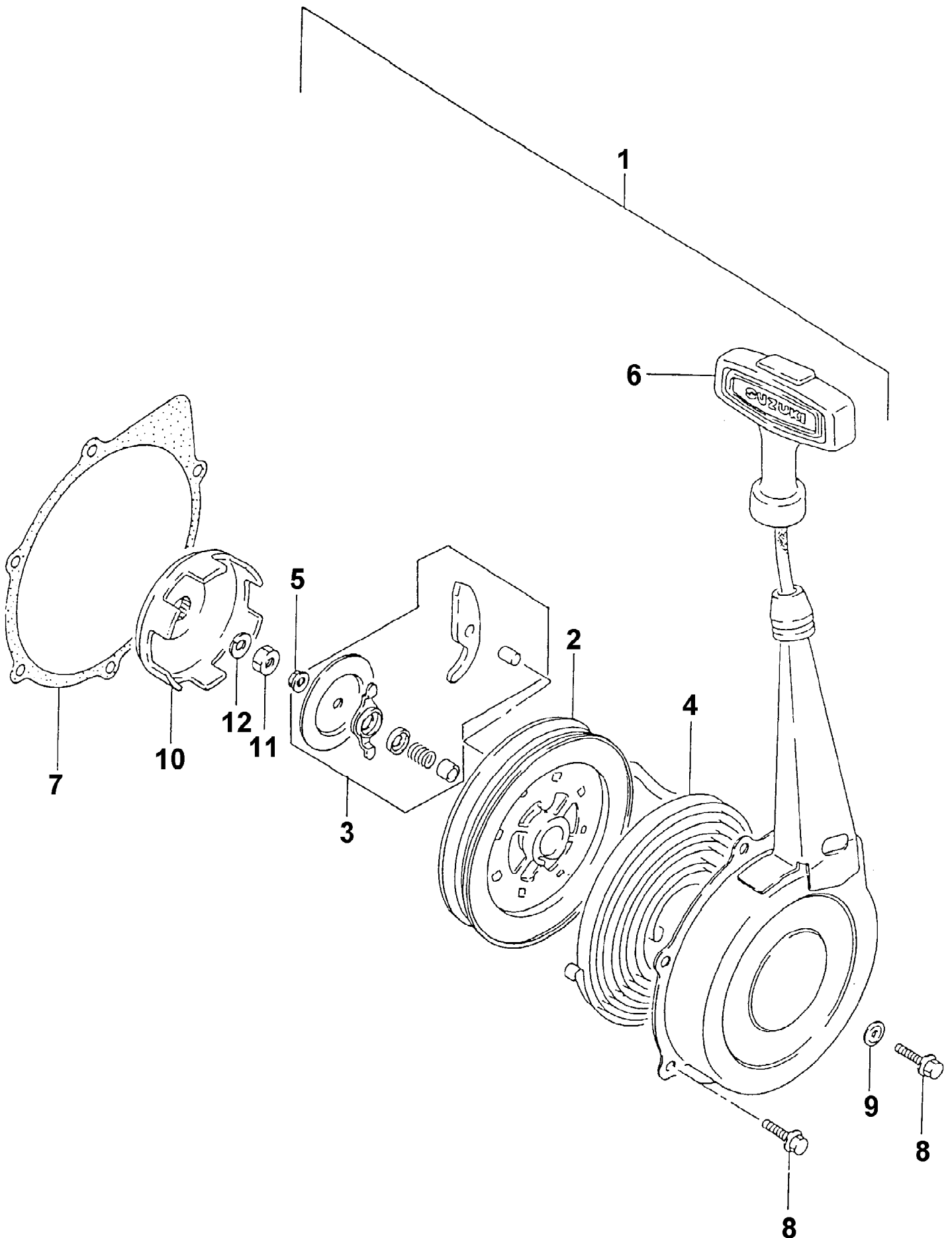
| Ref # | Part Number | Qty | S/P/F | Description |
|-------|-------------|-----|-------|----------------------|
| 1 | 3445-017 | 1 | | Pump, Engine Oil |
| 2 | 3402-302 | 1 | | Gear, Driven |
| 3 | 3423-285 | 1 | | Pin |
| 4 | 3423-168 | 1 | S | Circlip |
| 5 | 3004-402 | 3 | S/P | Screw, Cap |
| 6 | 3402-304 | 1 | | Strainer, Engine Oil |
| 7 | 0693-389 | 2 | S | Screw, Cap |
| 8 | 3402-305 | 1 | | Cap, Oil Strainer |
| 9 | 3423-278 | 1 | | O-Ring |
| 10 | 3004-507 | 3 | S | Screw, Cap |
| 11 | 3402-037 | 1 | | Plug, Drain (250) |
| 12 | 3402-012 | 1 | | Gasket |
| 13 | 3436-005 | 1 | | Filter, Engine Oil |
| 14 | 3423-270 | 1 | | O-Ring |
| 15 | 3402-303 | 1 | | Cap, Oil Filter |
| 16 | 3004-705 | 1 | S | Plug, Oil Check |
| 17 | 3005-242 | 1 | | Gasket |
| 18 | 3423-277 | 1 | | O-Ring |
| 19 | 3402-238 | 1 | | Spring |
| 20 | 3423-314 | 2 | S | Bolt, Stud |
| 21 | 3004-543 | 1 | S | Bolt, Stud |
| 22 | 3423-315 | 3 | S | Nut |



1999 ATV 250 2X4 (99A2J-AP-1999)
 REAR SUSPENSION ASSEMBLY

Page 52 of 78

| Ref # | Part Number | Qty | S/P/F | Description |
|-------|-------------|-----|-------|------------------------------------|
| 1 | 0504-032 | 2 | S | Knuckle, Rear - Assembly (inc. 2) |
| 2 | 0423-095 | 6 | | . Fitting, Grease |
| 3 | 0403-038 | 6 | S/P | Collar, Suspension Bushing |
| 4 | 0403-032 | 12 | S | Bushing, Suspension |
| 5 | 0402-275 | 2 | /P | Bearing, Wheel |
| 6 | 0423-034 | 2 | | Clip, Bearing |
| 7 | 0402-089 | 2 | | Seal |
| 8 | 0402-069 | 2 | | Seal |
| 9 | 0402-171 | 2 | S | Axle, Drive |
| 10 | 0504-029 | 2 | | Arm, Rear - Upper (inc. one No. 2) |
| 11 | 0504-030 | 1 | | A-Arm, Rear - Lower Right |
| 11 | 0504-031 | 1 | | A-Arm, Rear - Lower Left |
| 12 | 0404-014 | 2 | | Shock Absorber - Rear |
| 13 | 0403-028 | 4 | | Sleeve, Shock |
| 14 | 0604-310 | 8 | | Bushing, Shock Absorber |
| 15 | 0403-027 | 2 | | Retainer, Spring - Lower |
| 16 | 0403-013 | 2 | | Washer, Spring Adjust |
| 17 | 0403-025 | 2 | /P | Collar, Spring |
| 18 | 0603-033 | 2 | S | Retainer, Spring |
| 19 | 0403-002 | 2 | | Spring, Suspension |
| 20 | 0423-087 | 2 | | Washer |
| 21 | 8428-002 | 12 | | Nut, Lock |
| 22 | 8409-040 | 2 | | Screw, Cap |
| 23 | 8408-820 | 2 | /P | Screw, Cap |
| 24 | 8409-000 | 6 | | Screw, Cap |
| 25 | 8409-060 | 4 | | Screw, Cap |
| 26 | 0436-113 | 2 | S | Repair Kit, Inner Boot - Rear Axle |
| 27 | 0436-114 | 2 | S | Repair Kit, Outer Boot - Rear Axle |

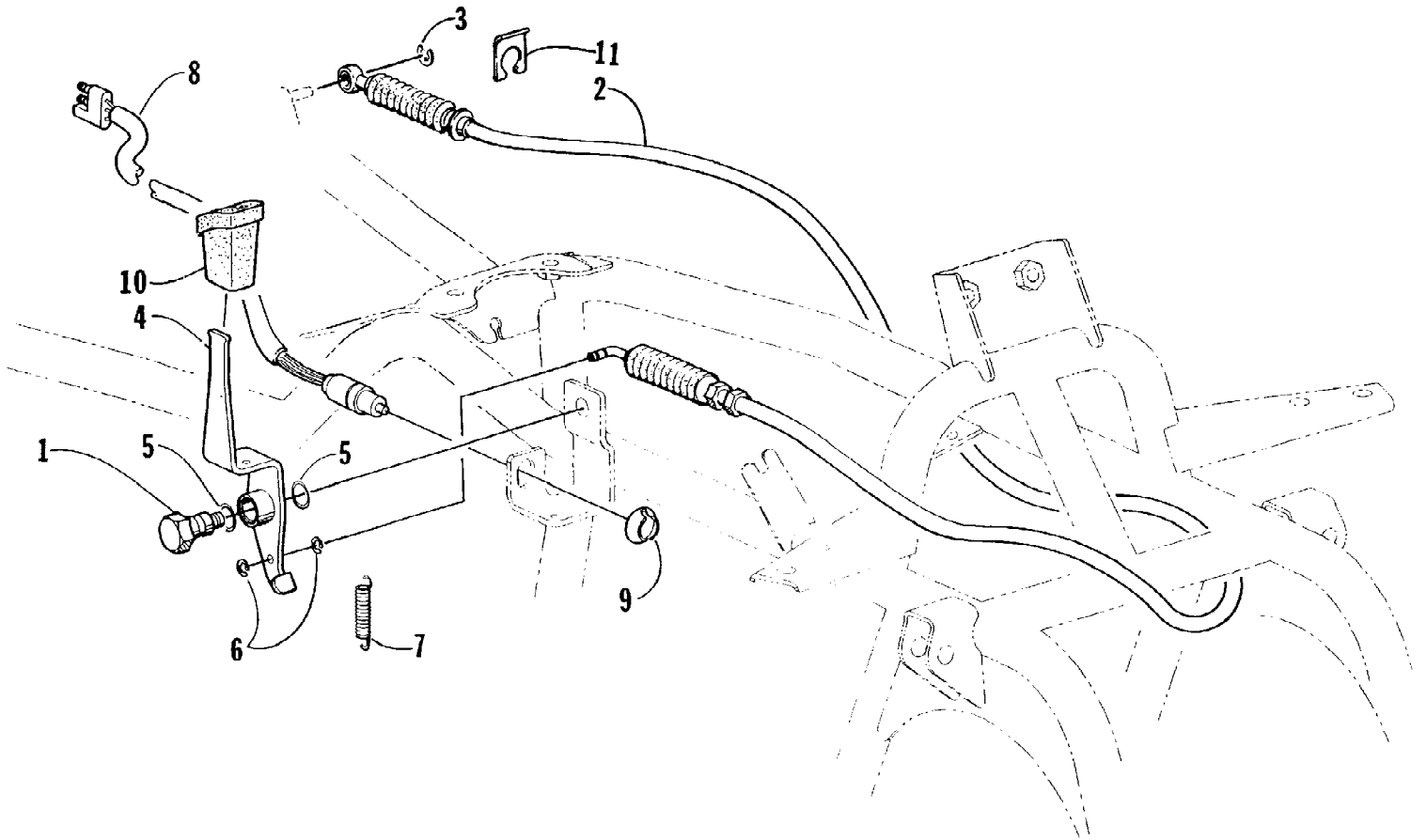


1999 ATV 250 2X4 (99A2J-AP-1999)
RECOIL STARTER ASSEMBLY

Page 54 of 78

| Ref # | Part Number | Qty | S/P/F | Description |
|-------|-------------|-----|-------|---------------------------------------|
| 1 | 3445-018 | 1 | S | Starter, Recoil - Assembly (inc. 2-6) |
| 2 | 3445-019 | 1 | | Reel |
| 3 | 3445-016 | 1 | | Ratchet Assembly |
| 4 | 3445-007 | 1 | | Spring, Spiral |
| 5 | 3004-488 | 1 | S/P | Nut |
| 6 | 3445-020 | 1 | | Rope Assembly |
| 7 | 3445-021 | 1 | S | Gasket, Recoil |
| 8 | 3423-112 | 6 | S | Screw, Cap |
| 9 | 3003-290 | 1 | /P | Gasket |
| 10 | 3445-022 | 1 | | Cup, Starter |
| 11 | 3004-336 | 1 | S/P | Nut |
| 12 | 3004-362 | 1 | S/P | Washer, Lock |

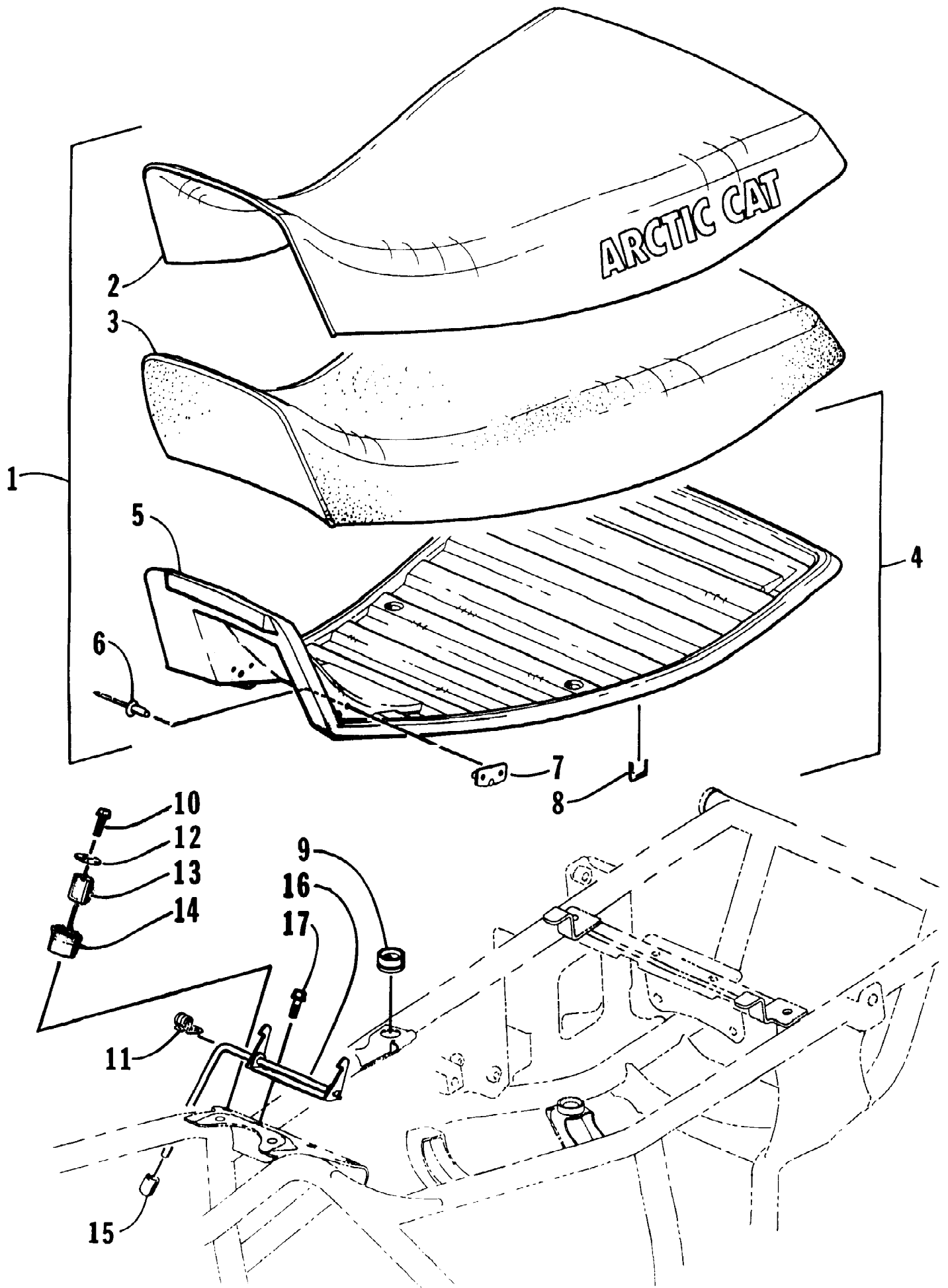
1999 ATV 250 2X4 (99A2J-AP-1999)
REVERSE SHIFT LEVER ASSEMBLY



1999 ATV 250 2X4 (99A2J-AP-1999)
REVERSE SHIFT LEVER ASSEMBLY

Page 56 of 78

| Ref # | Part Number | Qty | S/P/F | Description |
|-------|-------------|-----|-------|---------------------------|
| 1 | 0402-239 | 1 | | Axle, Reverse Shift |
| 2 | 0487-009 | 1 | | Cable, Shift |
| 3 | 3423-168 | 1 | S | E-Ring |
| 4 | 0502-059 | 1 | S | Lever, Reverse |
| 5 | 0423-096 | 2 | | O-Ring |
| 6 | 0423-063 | 2 | | E-Ring |
| 7 | 0402-136 | 1 | S | Spring, Reverse Lever |
| 8 | 0409-008 | 1 | | Reverse Switch |
| 9 | 0402-168 | 1 | /P | Retainer, Switch |
| 10 | 0402-062 | 1 | | Knob, Reverse Shift Lever |
| 11 | 3423-282 | 1 | | Clip, Cable |



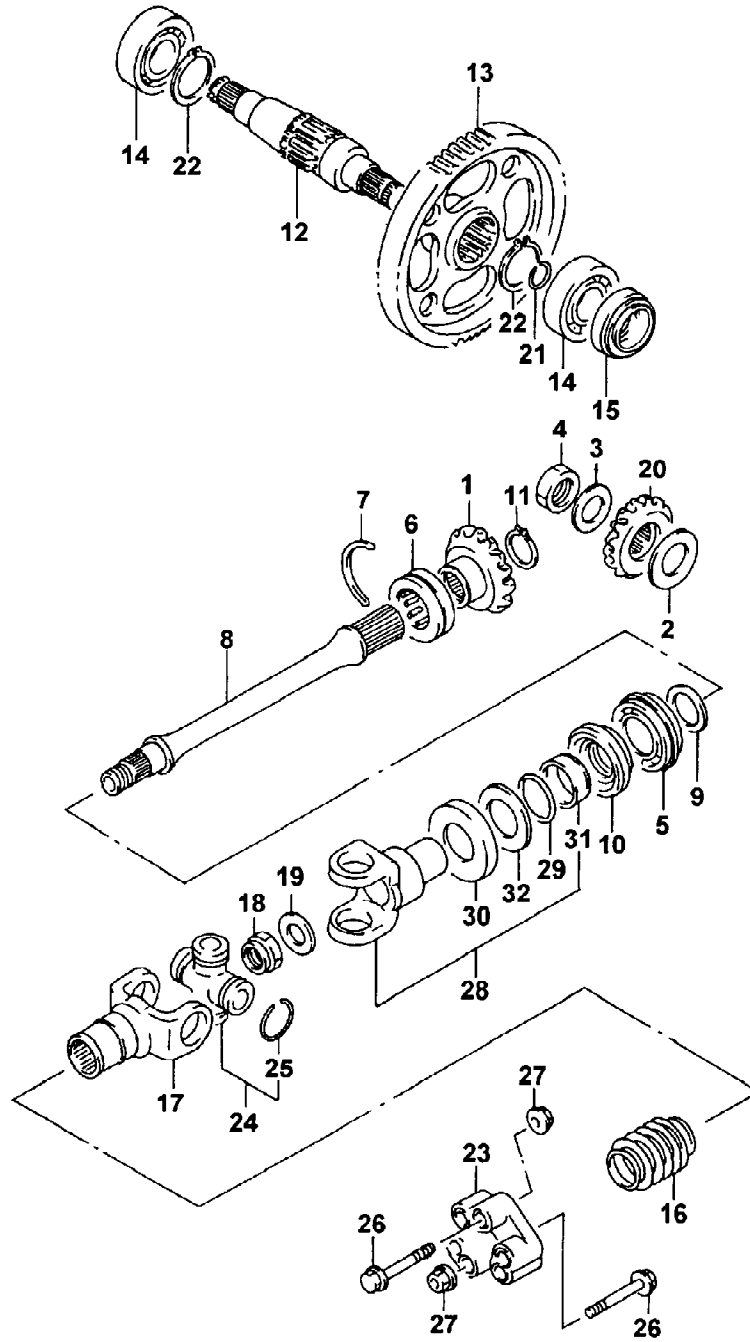
1999 ATV 250 2X4 (99A2J-AP-1999)
SEAT ASSEMBLY

Page 58 of 78

| Ref # | Part Number | Qty | S/P/F | Description |
|-------|-------------|-----|-------|----------------------------------|
| 1 | 5990-069 | 1 | S | Seat Assembly (inc. 2-8) |
| 2 | 0506-054 | 1 | | Cover, Seat |
| 3 | 0506-056 | 1 | | Foam, Seat |
| 4 | 0506-223 | 1 | /P | Base, Seat - Assembly (inc. 5-7) |
| 5 | 0 | 1 | F | Base, Seat |
| 6 | 8061-628 | 4 | | Rivet |
| 7 | 0506-147 | 1 | S | Pin, Seat Base - Front |
| 8 | 0624-100 | 0 | | Staple |
| 9 | 0406-309 | 2 | | Grommet, Seat - Center |
| 10 | 8476-620 | 2 | | Screw, Cap |
| 11 | 0406-235 | 1 | | Spring, Seat Latch |
| 12 | 8050-217 | 2 | /P | Washer |
| 13 | 0406-199 | 2 | | Collar, Front Seat Base |
| 14 | 0406-171 | 2 | | Bumper, Seat Base - Front |
| 15 | 0623-404 | 1 | | Cap, Protector |
| 16 | 0406-103 | 1 | S | Latch, Seat - Assembly |
| 17 | 8476-616 | 2 | | Screw, Machine |

1999 ATV 250 2X4 (99A2J-AP-1999)

SECONDARY GEAR/PROPELLER SHAFT ASSEMBLY



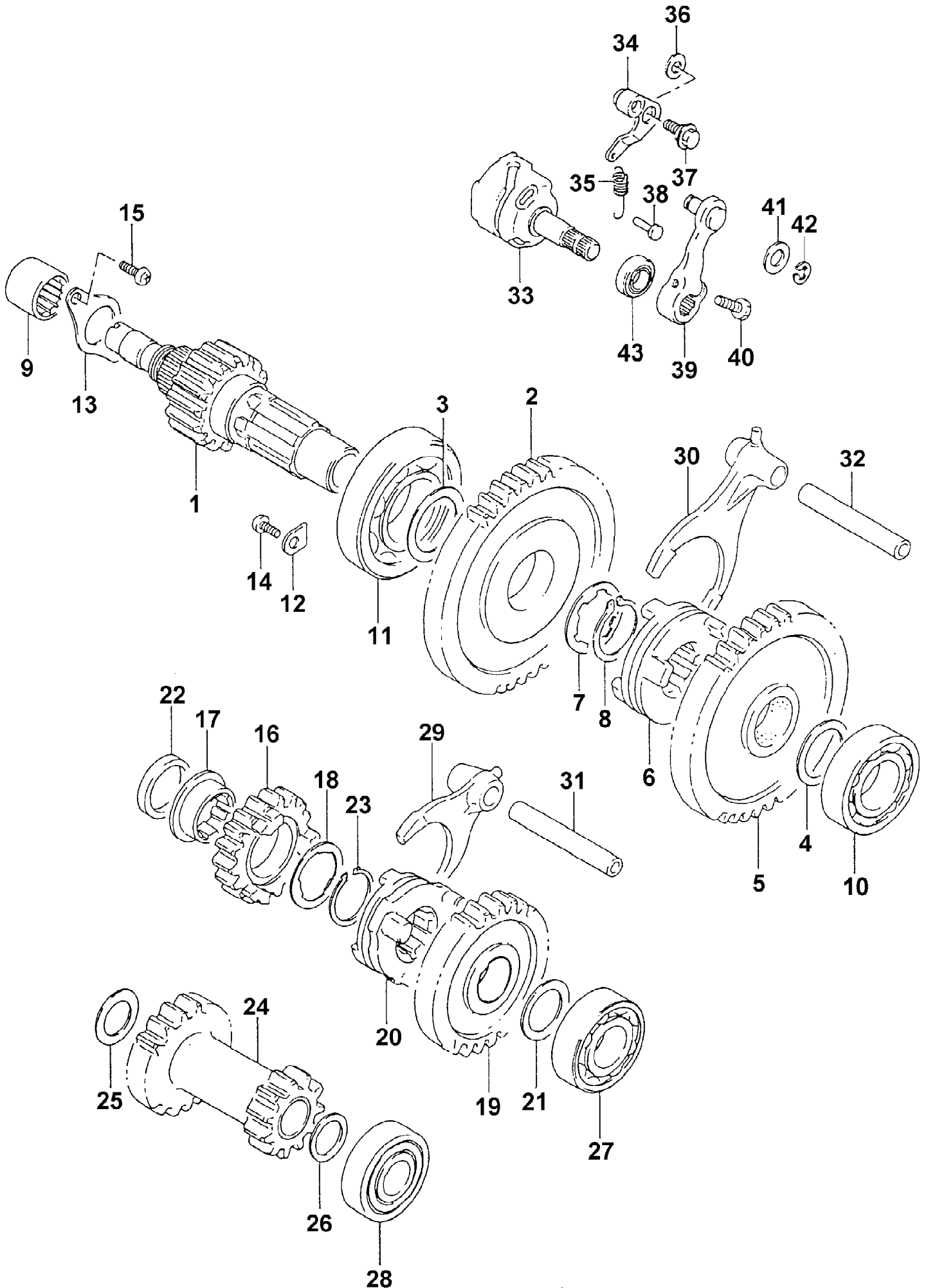
1999 ATV 250 2X4 (99A2J-AP-1999)

Page 60 of 78

SECONDARY GEAR/PROPELLER SHAFT ASSEMBLY

| Ref # | Part Number | Qty | S/P/F | Description |
|-------|-------------|-----|-------|--------------------------|
| 10 | 3402-072 | 1 | | Seal, Oil |
| 12 | 3446-176 | 1 | | Shaft, Rear Final Driven |
| 13 | 3446-175 | 1 | | Gear, Driven |
| 14 | 3402-219 | 2 | | Bearing |
| 15 | 3402-072 | 2 | | Seal, Oil |
| 21 | 3423-281 | 2 | | Ring |
| 22 | 3423-321 | 2 | | Circlip |

1999 ATV 250 2X4 (99A2J-AP-1999)
SECONDARY TRANSMISSION ASSEMBLY

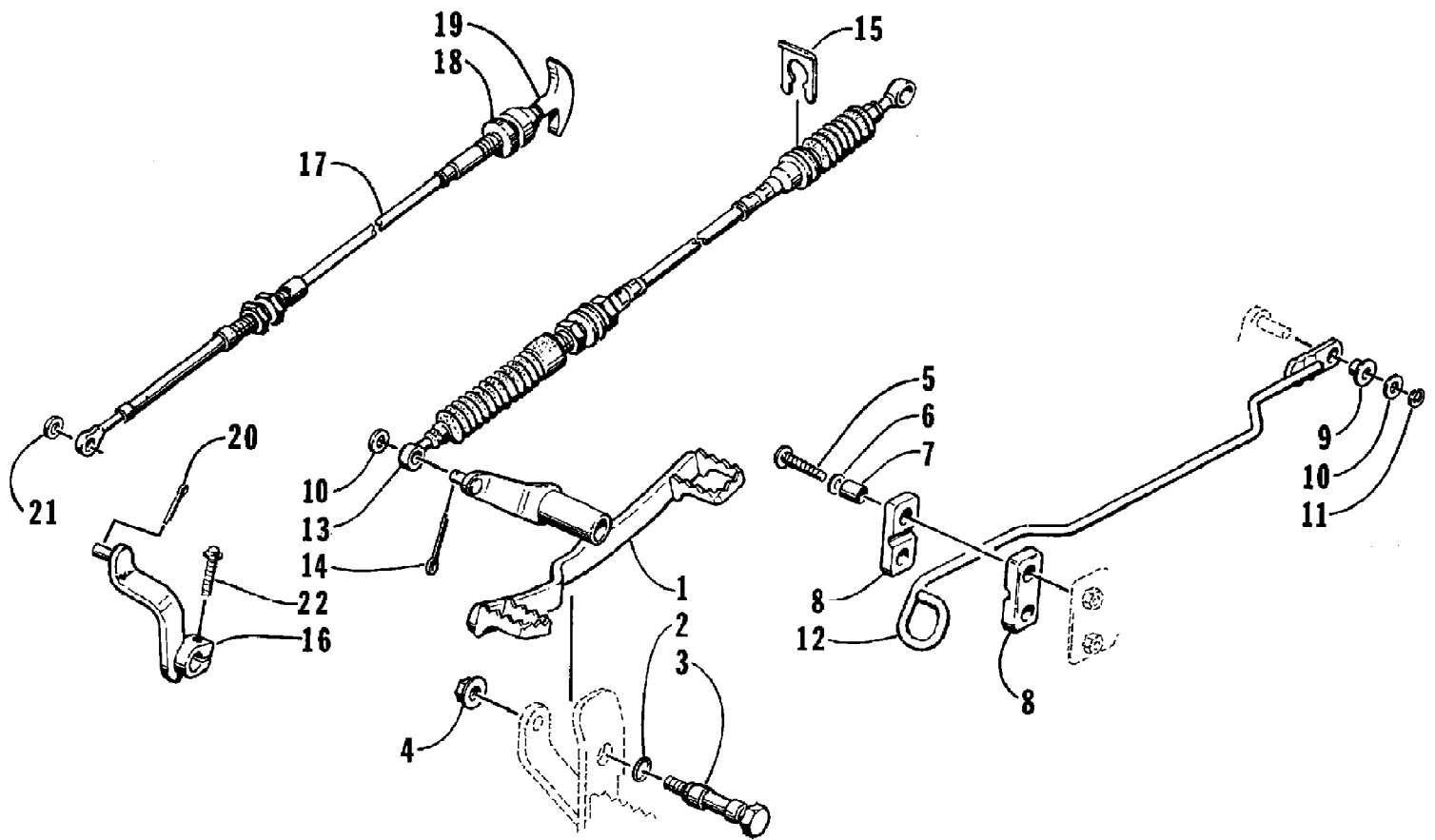


1999 ATV 250 2X4 (99A2J-AP-1999)
SECONDARY TRANSMISSION ASSEMBLY

Page 62 of 78

| Ref # | Part Number | Qty | S/P/F | Description |
|-------|-------------|-----|-------|----------------------------------|
| 1 | 3446-179 | 1 | | Shaft, Sub Transmission (2x4) |
| 2 | 3446-184 | 1 | | Gear, Driven (2x4) |
| 8 | 3423-318 | 1 | S | Circlip |
| 9 | 3402-278 | 1 | | Bearing - Right |
| 10 | 3004-209 | 1 | /P | Bearing - Left |
| 11 | 3402-180 | 1 | S | Bearing - Middle (250) |
| 12 | 3446-031 | 2 | /P | Retainer |
| 13 | 3446-154 | 1 | | Retainer |
| 14 | 3004-552 | 2 | S | Screw, Cap |
| 15 | 0693-321 | 2 | | Screw, Cap |
| 16 | 3446-181 | 1 | S | Gear, Drive |
| 17 | 3446-259 | 1 | /P | Bushing (250) |
| 18 | 3423-036 | 1 | | Washer |
| 19 | 3446-182 | 1 | | Gear, Drive |
| 20 | 3446-183 | 1 | | Dog, Drive Gear |
| 21 | 3402-195 | 1 | | Washer |
| 22 | 3402-207 | 1 | | Spacer |
| 23 | 3423-066 | 1 | /P | Circlip |
| 24 | 3446-180 | 1 | S | Gear, Idler |
| 25 | 3402-205 | 1 | | Washer |
| 26 | 3423-319 | 1 | | Washer |
| 27 | 3003-261 | 1 | /P | Bearing, Drive - Left |
| 28 | 3402-217 | 1 | | Bearing, Counter - Left |
| 29 | 3446-185 | 1 | | Fork |
| 31 | 3446-168 | 1 | S | Shaft |
| 33 | 3446-186 | 1 | | Cam, Sub Transmission Gear (2x4) |
| 34 | 3446-187 | 1 | | Stopper |
| 35 | 3402-241 | 1 | | Spring |
| 36 | 3423-141 | 1 | | Washer |
| 37 | 3423-240 | 1 | | Screw, Cap |
| 39 | 3446-116 | 1 | | Arm |
| 40 | 3423-125 | 1 | S | Screw, Cap |
| 41 | 3423-204 | 1 | /P | Washer |
| 42 | 3423-168 | 1 | S | E-Ring |
| 43 | 3402-076 | 1 | | Seal, Oil |

1999 ATV 250 2X4 (99A2J-AP-1999)
SHIFTER ASSEMBLY

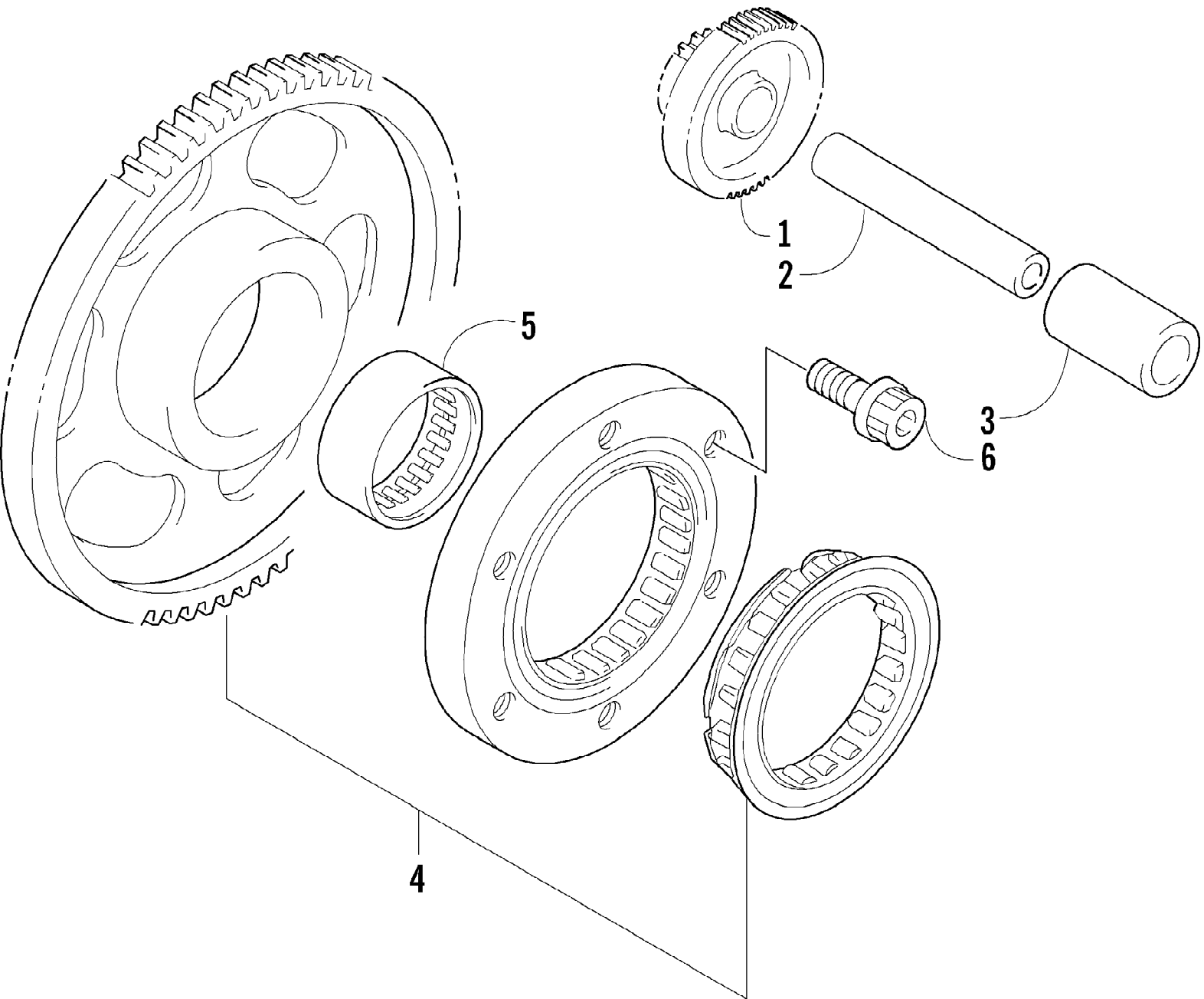


1999 ATV 250 2X4 (99A2J-AP-1999)
SHIFTER ASSEMBLY

Page 64 of 78

| Ref # | Part Number | Qty | S/P/F | Description |
|-------|-------------|-----|-------|------------------------------|
| 1 | 0502-114 | 1 | | Lever, Footshift |
| 2 | 0423-096 | 2 | | O-Ring |
| 3 | 0402-370 | 1 | | Axle, Footshift |
| 4 | 8424-802 | 1 | | Nut |
| 5 | 8476-630 | 2 | | Screw, Cap |
| 6 | 8050-222 | 2 | /P | Washer |
| 7 | 0402-256 | 2 | | Collar, HI/Lo Shift |
| 8 | 0406-363 | 2 | | Bushing, Hi/Lo Shift |
| 9 | 0423-091 | 1 | | Bushing, Shift |
| 10 | 8050-242 | 2 | | Washer |
| 11 | 3423-168 | 1 | S | E-Ring, Gear Shift |
| 12 | 0502-062 | 1 | | Linkage, Hi/Lo |
| 13 | 3487-001 | 1 | | Cable, Footshift |
| 14 | 0623-175 | 1 | | Pin, Cotter |
| 15 | 3423-282 | 1 | | Clip, Cable |
| 16 | 0502-064 | 1 | | Arm, 2x4/4x4 - Shift (4x4) |
| 17 | 0487-012 | 1 | | Cable, 2x4/4x4 - Shift (4x4) |
| 18 | 0423-099 | 1 | | Nut |
| 19 | 0487-014 | 1 | | Handle, Cable Shift |
| 20 | 0117-868 | 1 | | Pin, Cotter |
| 21 | 0423-052 | 1 | | Collar, Body |

1999 ATV 250 2X4 (99A2J-AP-1999)
STARTER CLUTCH ASSEMBLY

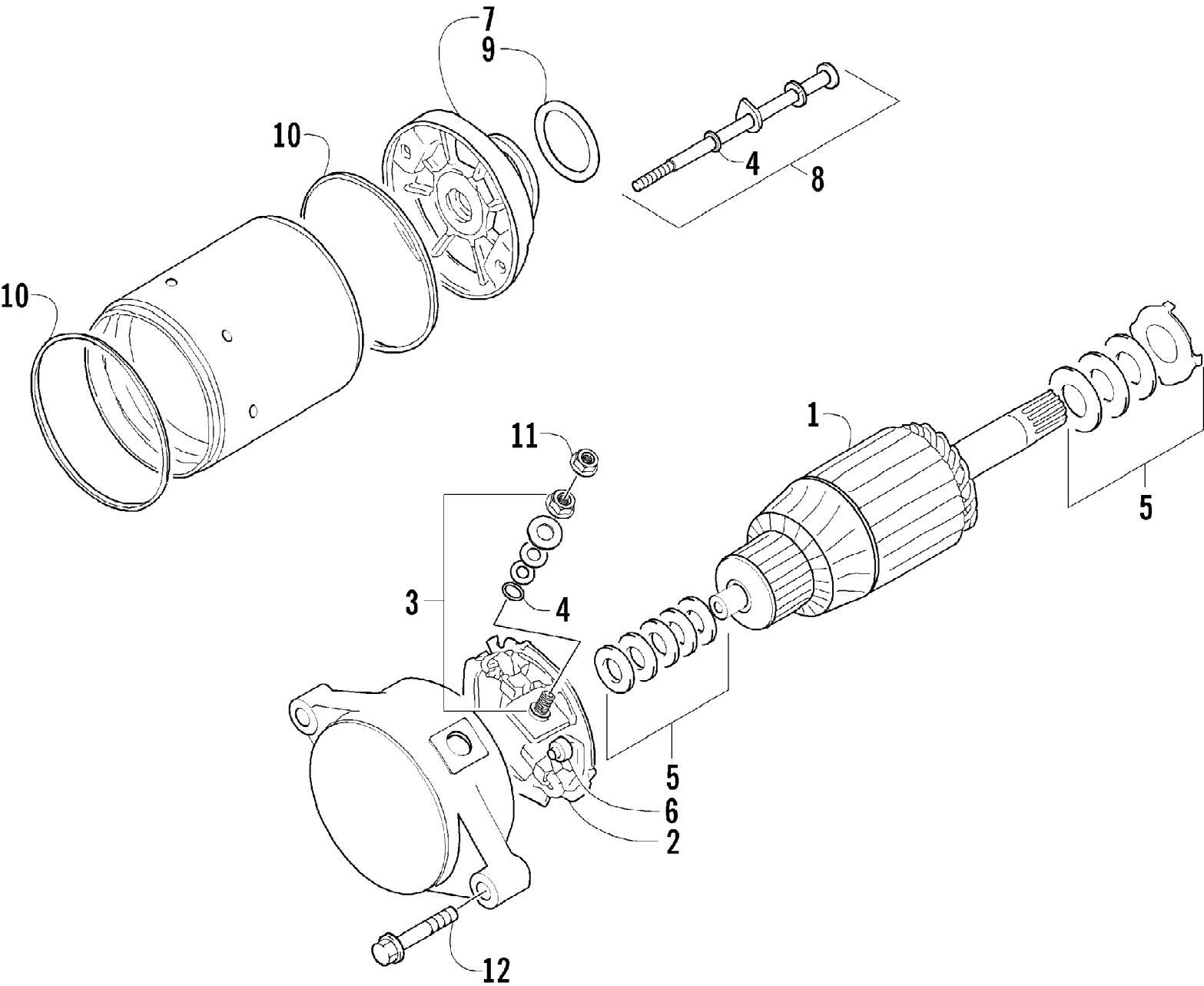


1999 ATV 250 2X4 (99A2J-AP-1999)
STARTER CLUTCH ASSEMBLY

Page 66 of 78

| Ref # | Part Number | Qty | S/P/F | Description |
|-------|-------------|-----|-------|------------------------------|
| 1 | 3402-274 | 1 | S | Gear, Starter Idler |
| 2 | 3423-267 | 1 | | Pin |
| 3 | 3402-145 | 1 | | Spacer |
| 4 | 3402-273 | 1 | | Clutch Set, Starter (inc. 5) |
| 5 | 3402-222 | 1 | | Bearing |
| 6 | 3423-309 | 3 | | Screw, Cap |

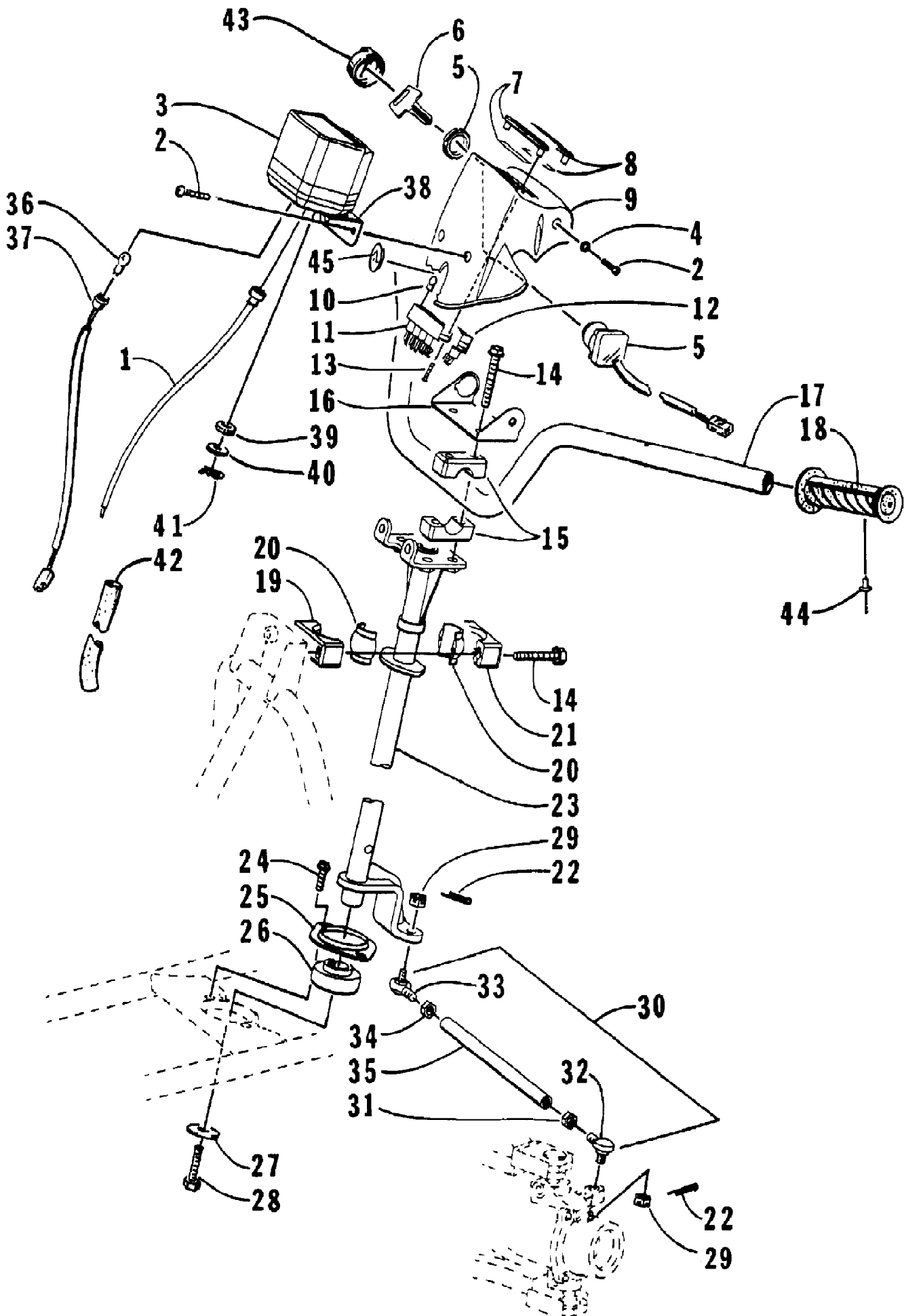
1999 ATV 250 2X4 (99A2J-AP-1999)
STARTER MOTOR ASSEMBLY



1999 ATV 250 2X4 (99A2J-AP-1999)
STARTER MOTOR ASSEMBLY

Page 68 of 78

| Ref # | Part Number | Qty | S/P/F | Description |
|-------|-------------|-----|-------|------------------------------|
| | 3545-003 | 1 | S | Complete Assembly |
| 1 | 3008-554 | 1 | | Armature |
| 2 | 3008-550 | 1 | | Holder Set, Brush |
| 3 | 3008-549 | 1 | | Terminal Set, Brush (inc. 4) |
| 4 | 3008-164 | 3 | | O-Ring |
| 5 | 3008-099 | 1 | | Washer Set |
| 6 | 3008-551 | 2 | | Spring, Brush |
| 7 | 3008-552 | 1 | | Bracket, Front - Assembly |
| 8 | 3423-289 | 2 | | Bolt Set (inc. 4) |
| 9 | 3423-272 | 1 | | O-Ring |
| 10 | 3008-553 | 2 | /P | O-Ring |
| 11 | 3423-195 | 1 | /P | Nut |
| 12 | 3004-756 | 2 | S | Screw, Cap |

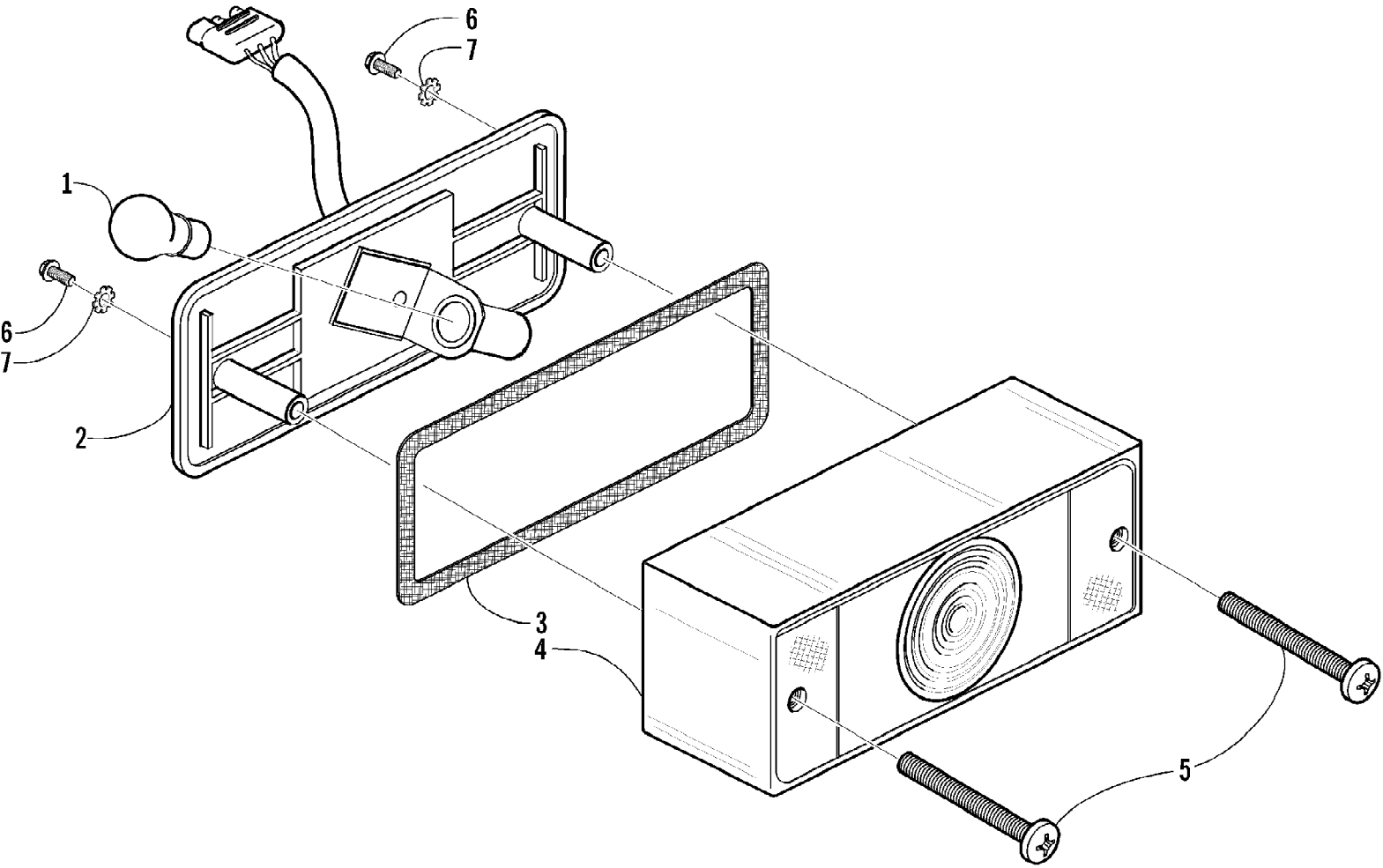


1999 ATV 250 2X4 (99A2J-AP-1999)
STEERING ASSEMBLY

Page 70 of 78

| Ref # | Part Number | Qty | S/P/F | Description |
|-------|-------------|-----|-------|--------------------------------------------------|
| 1 | 0487-013 | 1 | S | Cable, Speedometer |
| 2 | 8477-616 | 3 | | Screw, Machine |
| 4 | 0423-052 | 1 | | Collar, Body |
| 5 | 3430-028 | 1 | /P | Switch, Ignition - Assembly (inc. 6) (2x4) (250) |
| 6 | 3409-012 | 1 | | . Key, Ignition - Blank (E Series) (2x4) (250) |
| 6 | 3409-013 | 1 | | . Key, Ignition - Blank (F Series) (2x4) (250) |
| 7 | 0420-011 | 1 | | Bezel/Lens, Warning - Assembly (inc. 10) |
| 8 | 0420-012 | 1 | | Bezel/Lens, Shifting - Assembly (inc. 10) |
| 9 | 0405-019 | 1 | | Pod, Instrument |
| 10 | 0420-013 | AR | | Bulb, Light Bar |
| 11 | 0420-001 | 1 | | Light, Warning - Assembly |
| 12 | 0420-004 | 1 | | Light, Shift Indicator - Assembly |
| 13 | 0123-950 | 4 | | Screw, Self-Tapping |
| 14 | 8408-860 | 6 | | Screw, Cap |
| 15 | 0405-035 | 4 | | Cap, Steering Adjuster |
| 16 | 0506-139 | 1 | S | Bracket, Key Switch |
| 17 | 0505-022 | 1 | | Tube, Handlebar |
| 18 | 0405-039 | 2 | /P | Grip, Handlebar |
| 19 | 0605-171 | 1 | | Housing, Bearing - Lower |
| 20 | 0405-020 | 2 | | Bearing, Steering Post |
| 21 | 0605-147 | 1 | S | Housing, Bearing - Upper |
| 22 | 0623-175 | 4 | | Pin, Cotter |
| 23 | 0505-012 | 1 | | Post, Steering |
| 24 | 8408-816 | 2 | | Screw, Cap |
| 25 | 0602-233 | 1 | | Flange, Bearing |
| 26 | 0602-808 | 1 | S | Bearing - w/Inverted Oil Seal |
| 27 | 0423-073 | 1 | | Washer |
| 28 | 8409-020 | 1 | /P | Screw, Cap |
| 29 | 8422-022 | 4 | | Nut, Hex Castle |
| 30 | 0505-021 | 2 | S | Tie Rod, Assembly (inc. 31-35) |
| 31 | 8420-002 | 2 | /P | Nut - Right |
| 32 | 0405-040 | 2 | S | Ball Joint, Tie Rod - Right |
| 33 | 0405-041 | 2 | S | Ball Joint, Tie Rod - Left |
| 34 | 0423-013 | 2 | | Nut - Left |
| 35 | 0405-032 | 2 | | Tie Rod |
| 42 | 0423-067 | 1 | | Tube, Loom |
| 43 | 0409-013 | 1 | | Cover, Key |
| 44 | 8060-428 | 2 | | Rivet |
| 45 | 0405-042 | 1 | | Plug, Instrument Pod (2x4) |

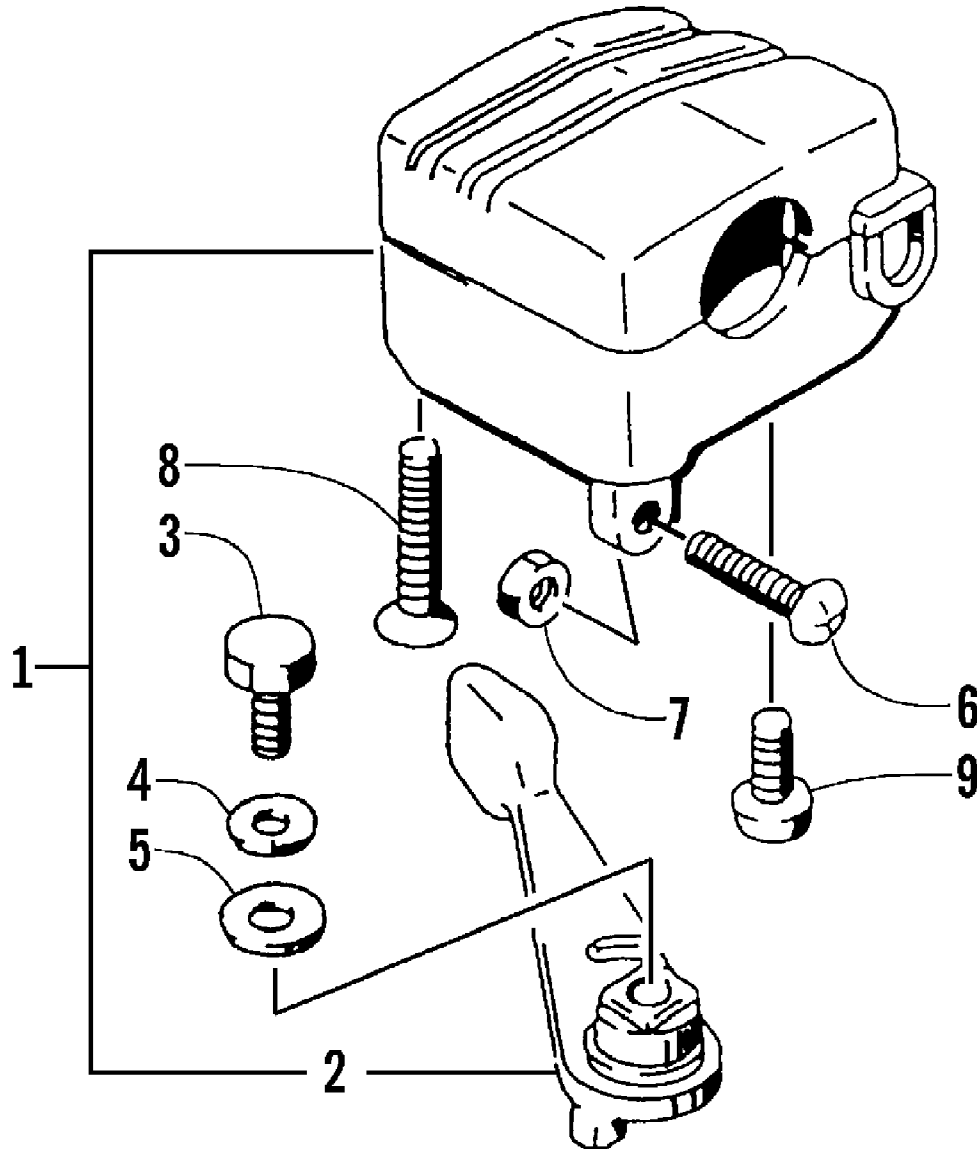
1999 ATV 250 2X4 (99A2J-AP-1999)
TAILLIGHT ASSEMBLY



1999 ATV 250 2X4 (99A2J-AP-1999)
TAILLIGHT ASSEMBLY

Page 72 of 78

| Ref # | Part Number | Qty | S/P/F | Description |
|-------|-------------|-----|-------|-------------------------------|
| | 0409-002 | 1 | | Complete Taillight Assembly |
| 1 | 0109-460 | 1 | /P | Bulb, Stop - Taillight |
| 2 | 0409-011 | 1 | | Taillight w/Socket Assembly |
| 3 | 0409-012 | 1 | | Gasket, Taillight |
| 4 | 0409-007 | 1 | | Lens, Taillight |
| 5 | 0409-010 | 2 | | Screw, Machine |
| 6 | 0623-301 | 2 | /P | Screw, Self-Tapping |
| 7 | 8053-212 | 2 | /P | Washer, Lock - External Tooth |

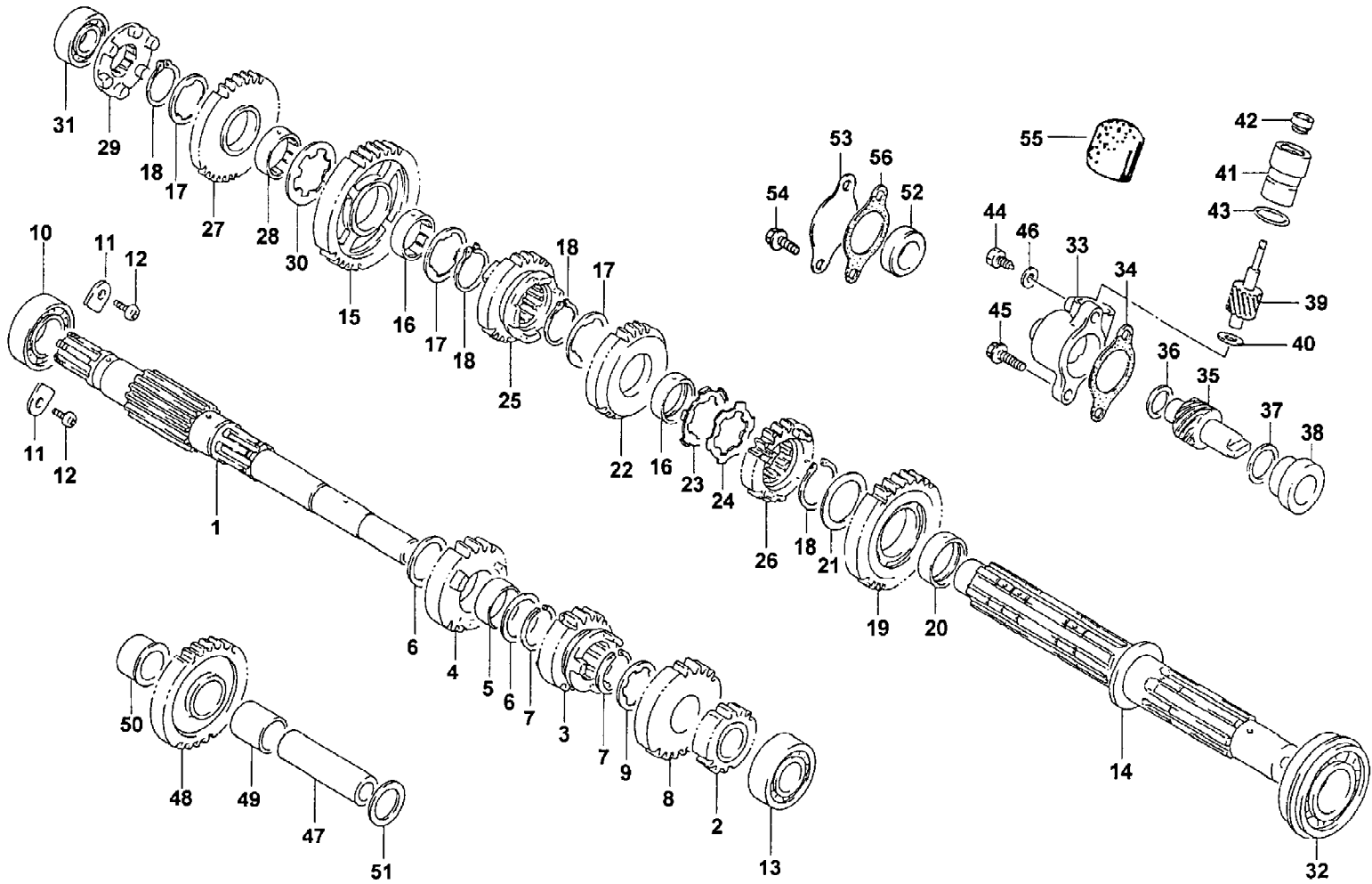


1999 ATV 250 2X4 (99A2J-AP-1999)
THROTTLE CASE ASSEMBLY

Page 74 of 78

| Ref # | Part Number | Qty | S/P/F | Description |
|-------|-------------|-----|-------|--------------------------------------|
| 1 | 3509-002 | 1 | S | Case, Throttle - Assembly (inc. 2-9) |
| 2 | 3409-001 | 1 | | Lever |
| 3 | 3004-533 | 1 | S/P | Screw, Cap |
| 4 | 3004-447 | 1 | /P | Washer, Lock |
| 5 | 3003-030 | 1 | /P | Washer |
| 6 | 3423-014 | 1 | | Screw, Cap |
| 7 | 3423-327 | 1 | | Nut |
| 8 | 3423-199 | 2 | | Screw, Cap |
| 9 | 3004-638 | 1 | /P | Screw, Cap |

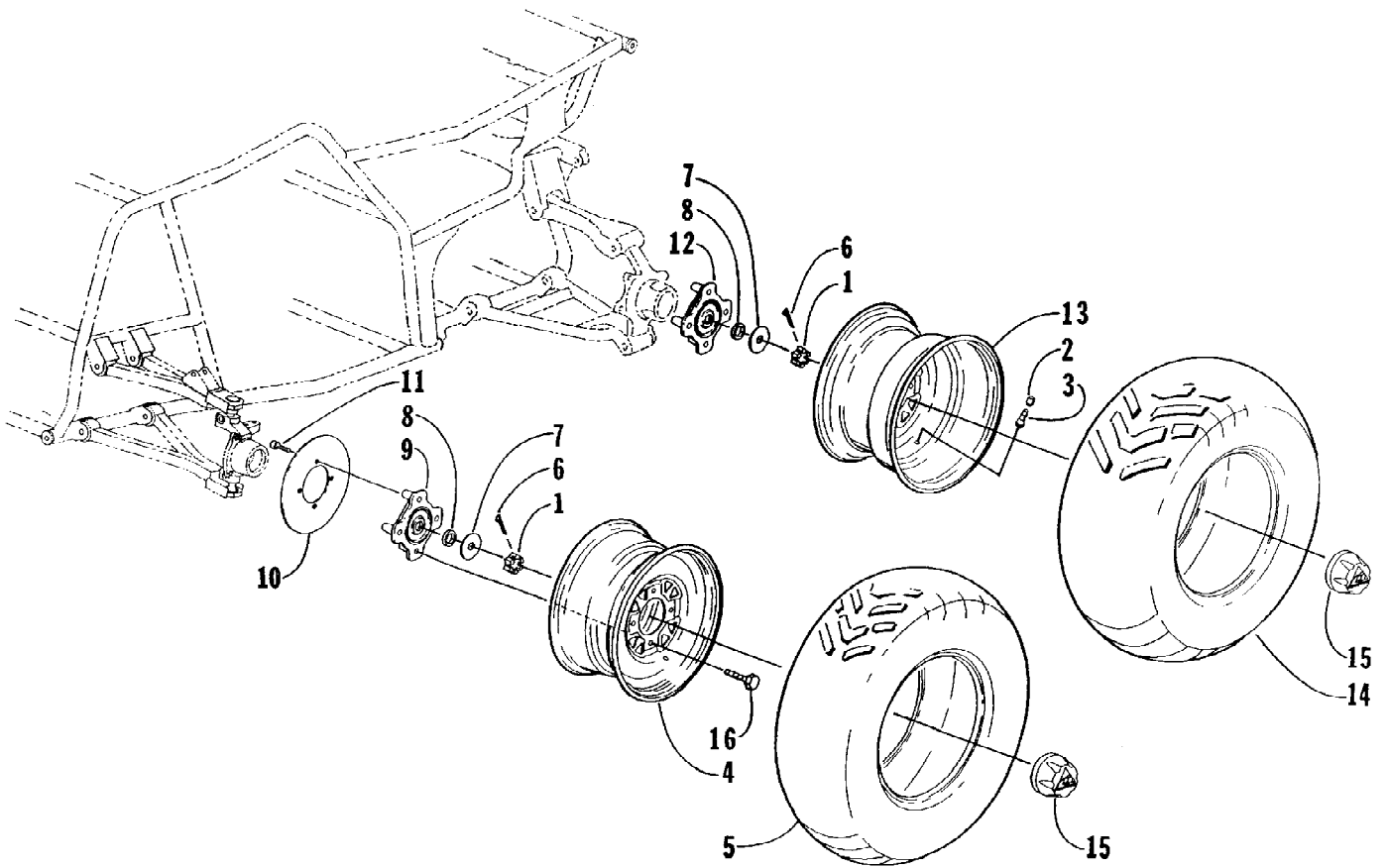
1999 ATV 250 2X4 (99A2J-AP-1999)
TRANSMISSION ASSEMBLY



1999 ATV 250 2X4 (99A2J-AP-1999)
TRANSMISSION ASSEMBLY

Page 76 of 78

| Ref # | Part Number | Qty | S/P/F | Description |
|-------|-------------|-----|-------|-------------------------------------------|
| 1 | 3446-135 | 1 | S | Shaft, Counter |
| 2 | 3446-137 | 1 | | Gear, 2nd Drive |
| 3 | 3446-138 | 1 | | Gear, 3rd Drive |
| 4 | 3446-139 | 1 | | Gear, 4th Drive |
| 5 | 3402-229 | 1 | | Bushing |
| 6 | 3402-210 | 2 | | Washer |
| 7 | 3423-279 | 2 | | Circlip |
| 8 | 3446-140 | 1 | | Gear, 5th Drive |
| 9 | 3423-261 | 1 | S | Washer |
| 10 | 0691-374 | 1 | | Bearing - Right |
| 11 | 3446-031 | 2 | /P | Retainer |
| 12 | 3004-552 | 2 | S | Screw, Cap |
| 13 | 3402-224 | 1 | | Bearing, Middle |
| 14 | 3446-136 | 1 | S | Driveshaft |
| 15 | 3446-141 | 1 | | Gear, 1st Driven |
| 16 | 3446-144 | 2 | S | Bushing |
| 17 | 3423-036 | 3 | | Washer, Lock |
| 18 | 3423-066 | 4 | /P | Circlip |
| 19 | 3446-142 | 1 | | Gear, 2nd Driven |
| 20 | 3402-230 | 1 | | Bushing |
| 21 | 3423-317 | 1 | | Washer |
| 22 | 3446-143 | 1 | | Gear, 3rd Driven |
| 23 | 3423-266 | 1 | | Washer, Lock |
| 24 | 3423-262 | 1 | | Washer, Lock |
| 25 | 3446-146 | 1 | | Gear, 4th Driven |
| 26 | 3446-147 | 1 | | Gear, 5th Driven |
| 27 | 3446-151 | 1 | | Gear, Reverse Driven |
| 28 | 3446-145 | 1 | | Bushing |
| 29 | 3446-152 | 1 | | Dog |
| 30 | 3423-263 | 1 | | Washer |
| 31 | 3402-218 | 1 | | Bearing - Right |
| 32 | 3402-220 | 1 | | Bearing - Middle |
| 47 | 3446-148 | 1 | | Shaft, Reverse Idle |
| 48 | 3446-149 | 1 | | Gear, Reverse Idle |
| 49 | 3402-228 | 1 | | Bushing |
| 50 | 3446-150 | 1 | | Spacer |
| 51 | 3402-209 | 1 | | Washer |
| 52 | 3402-255 | 1 | | Plug, Cover Hole (2x4) |
| 53 | 3446-260 | 1 | | Retainer, Transfer Cover Plug (2x4) (250) |
| 54 | 3423-363 | 2 | | Bolt, Retainer (2x4) (250) |
| 55 | 0402-160 | 1 | | Cap, Speedometer Drive |
| 56 | 3446-244 | 1 | /P | Gasket (250) |



1999 ATV 250 2X4 (99A2J-AP-1999)
WHEEL AND TIRE ASSEMBLY

Page 78 of 78

| Ref # | Part Number | Qty | S/P/F | Description |
|-------|-------------|-----|-------|---------------------------|
| 1 | 3423-213 | 4 | | Nut, Hex |
| 2 | 0402-140 | 4 | | Cap, Valve Stem |
| 3 | 0402-064 | 4 | | Valve, Stem |
| 4 | 0402-169 | 2 | /P | Wheel - Front (250) (250) |
| 5 | 0402-316 | 2 | /P | Tire - Front (2x4) |
| 6 | 0123-458 | 4 | /P | Pin, Cotter |
| 7 | 0423-080 | 4 | | Washer |
| 8 | 0402-181 | 4 | | Seal, Hub |
| 9 | 0502-040 | 2 | | Hub, Wheel - Front (2x4) |
| 10 | 0402-009 | 3 | S | Disc, Brake |
| 11 | 0423-029 | 12 | | Screw, Machine |
| 12 | 0502-041 | 2 | S | Hub, Wheel - Rear |
| 13 | 0402-169 | 2 | /P | Wheel - Rear (2x4) (250) |
| 14 | 0402-317 | 2 | /P | Tire - Rear (250) |
| 15 | 0403-035 | 4 | /P | Cap, Wheel - Center |
| 16 | 8409-020 | 16 | /P | Screw, Cap |