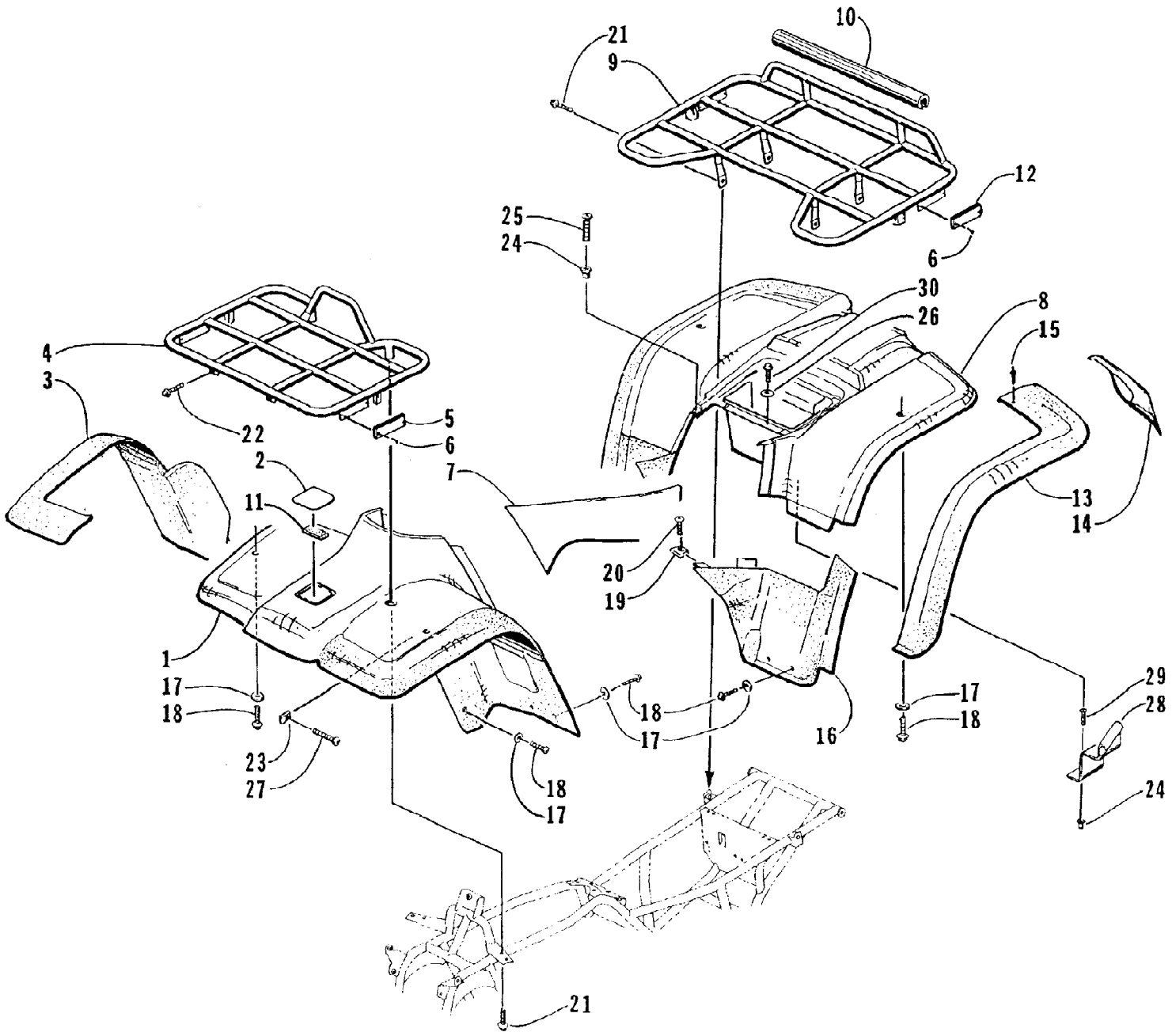


1998 ATV 500 4X4 (98A4G-1998)
AIR INTAKE ASSEMBLY

Page 2 of 94

Ref #	Part Number	Qty	S/P/F	Description
1	0423-066	1		Clamp
2	0470-305	1		Boot, Air Cleaner
3	0423-018	1		Clamp
4	0470-337	1		Housing, Air Cleaner
5	0623-301	3	/P	Screw, Self-Tapping
6	0470-343	1		Gasket, Air Cleaner
7	0470-342	1	S	Snorkel, Air Cleaner
8	0470-307	4		Clamp, Air Cleaner
9	0423-037	4		Spring, Air Cleaner
10	0623-121	4		Screw, Machine
11	0123-010	4	/P	Nut, Expansion
12	0410-004	1		Hose, Crankcase Vent
13	0470-322	1	S	Filter, Air Cleaner (inc. 14)
14	0470-332	1		Sleeve, Filter
15	0470-309	1	S	Valve, Air Cleaner
16	1673-272	1	/P	Cap, Fitting - Air Cleaner
17	0423-047	1		Clamp, Hose
18	0423-045	2		Clamp, Hose - Spring
19	0470-351	2		Support, Air Cleaner Flange
20	0406-356	1		Plate, Heat - Air Intake
21	0423-082	1		Clamp, Air Cleaner

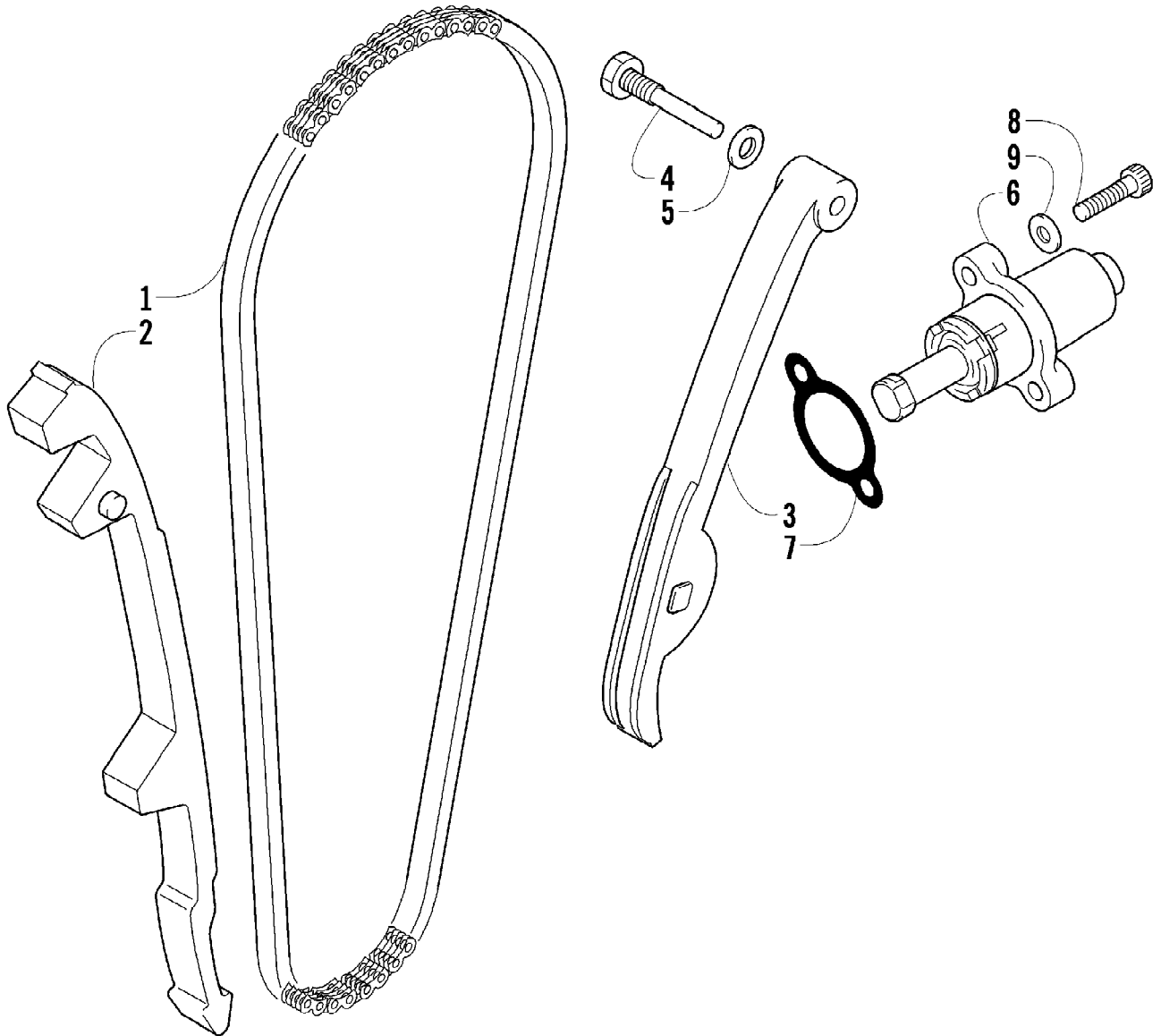


1998 ATV 500 4X4 (98A4G-1998)
BODY PANEL ASSEMBLY

Page 4 of 94

Ref #	Part Number	Qty	S/P/F	Description
1	0506-156	1	S	Panel, Fender - Front (500)
2	0506-145	1	S	Cover, Access (500)
3	0406-080	1	/P	Flare - Front Right
3	0406-081	1	/P	Flare - Front Left
4	0506-104	1	S	Rack - Front (500)
5	0606-526	2		Reflector - Amber
6	0623-269	8		Clip, Retaining
7	0506-164	1		Panel, Side - Right (500)
7	0506-165	1		Panel, Side - Left (500)
8	0506-157	1		Panel, Fender - Rear (500)
9	0506-103	1	S	Rack - Rear (500)
10	0406-293	1		Wrap, Tube - Rear Rack
11	0417-002	1		Foam, Access Panel
12	0606-029	2		Reflector - Red
13	0406-082	1		Flare, Rear Right
13	0406-083	1		Flare, Rear Left
14	0406-086	1		Mud Flap - Right
14	0406-087	1		Mud Flap - Left
15	0423-046	56		Rivet, Plastic
16	0406-084	1		Fender Extension - Rear Right
16	0406-085	1		Fender Extension - Rear Left
17	0423-010	16		Washer, Body
18	8474-616	16		Screw, Machine
19	0423-060	2		Clip, Tinerman
20	0623-309	2		Screw, Self-Tapping
21	8409-020	6	/P	Screw, Cap
22	8408-812	2		Screw, Cap
23	0423-031	2		Nut, Speed
24	0123-010	3	/P	Nut, Expansion
25	0423-068	2		Screw, Machine
26	0623-184	1		Washer
27	8477-616	2		Screw, Machine
28	0406-297	1		Plate, Heat - Rear Panel
29	0123-549	1	/P	Screw, Machine
30	8476-616	1		Screw, Machine

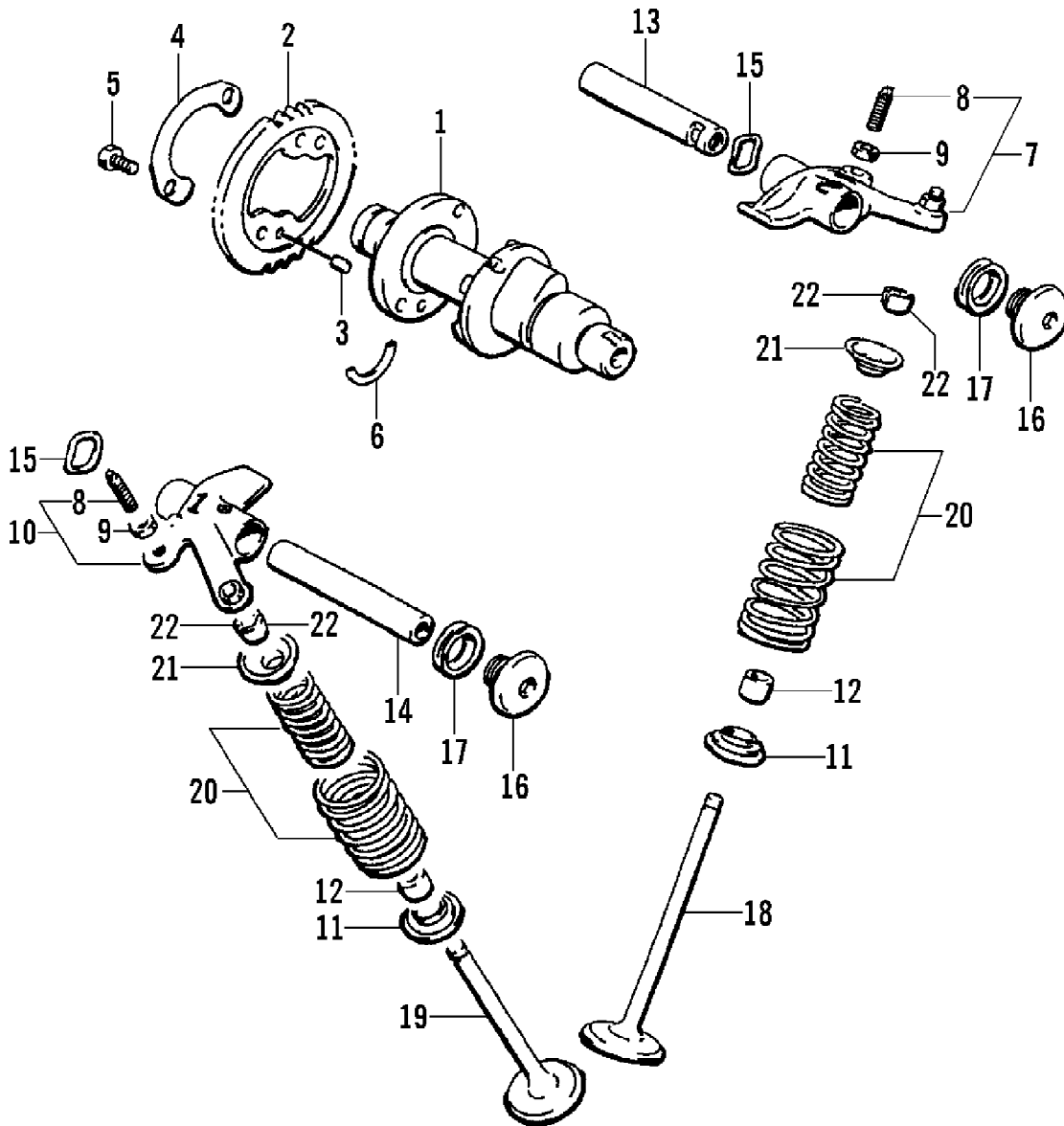
1998 ATV 500 4X4 (98A4G-1998)
CAM CHAIN ASSEMBLY



1998 ATV 500 4X4 (98A4G-1998)
CAM CHAIN ASSEMBLY

Page 6 of 94

Ref #	Part Number	Qty	S/P/F	Description
1	3402-353	1		Chain, Cam (500)
2	3402-355	1		Guide, Chain (500)
3	3402-356	1		Tensioner, Chain (500)
4	3423-074	1		Screw, Cap
5	3003-188	1	S/P	Washer
6	3402-136	1		Adjuster, Tensioner - Assembly
7	3402-137	1		Gasket
8	3004-475	2	S	Screw, Cap
9	3003-290	2	/P	Gasket

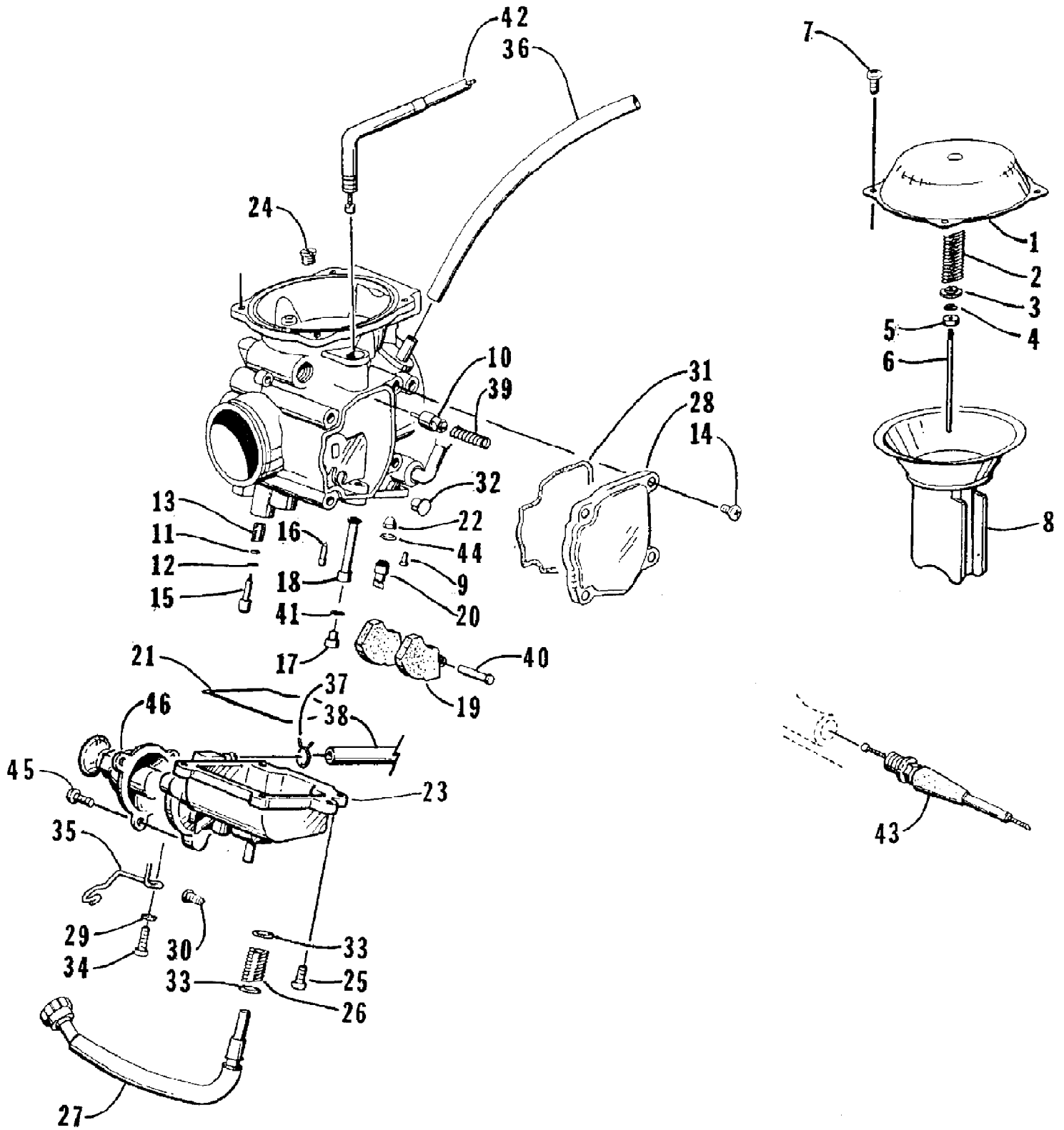


1998 ATV 500 4X4 (98A4G-1998)
CAM SHAFT VALVE ASSEMBLY

Page 8 of 94

Ref #	Part Number	Qty	S/P/F	Description
1	3402-027	1	S	Cam Shaft
2	3402-352	1		Sprocket (500) (500)
3	3423-047	1		Pin
4	3423-073	1		Washer
5	3423-013	2	S	Screw, Cap
6	3423-071	1	/P	C-Ring
7	3402-138	1	S	Arm, Valve Rocker (inc. 8-9)
8	3423-075	2		Screw, Cap
9	3423-076	2		Nut
10	3402-139	1		Arm, Valve Rocker (inc. 8-9)
11	3402-148	4		Seat, Spring
12	3402-078	4		Seal, Oil
13	3402-140	1		Shaft, Rocker Arm
14	3402-141	1		Shaft, Rocker Arm
15	3423-031	2		Washer
16	3402-040	2	/P	Plug, Shaft
17	3402-012	2		Gasket
18	3402-142	2	S	Valve, Intake
19	3402-143	2		Valve, Exhaust
20	3402-144	4		Spring, Valve - Set
21	3402-146	4	S	Retainer, Spring
22	3402-147	8		Cotter, Valve

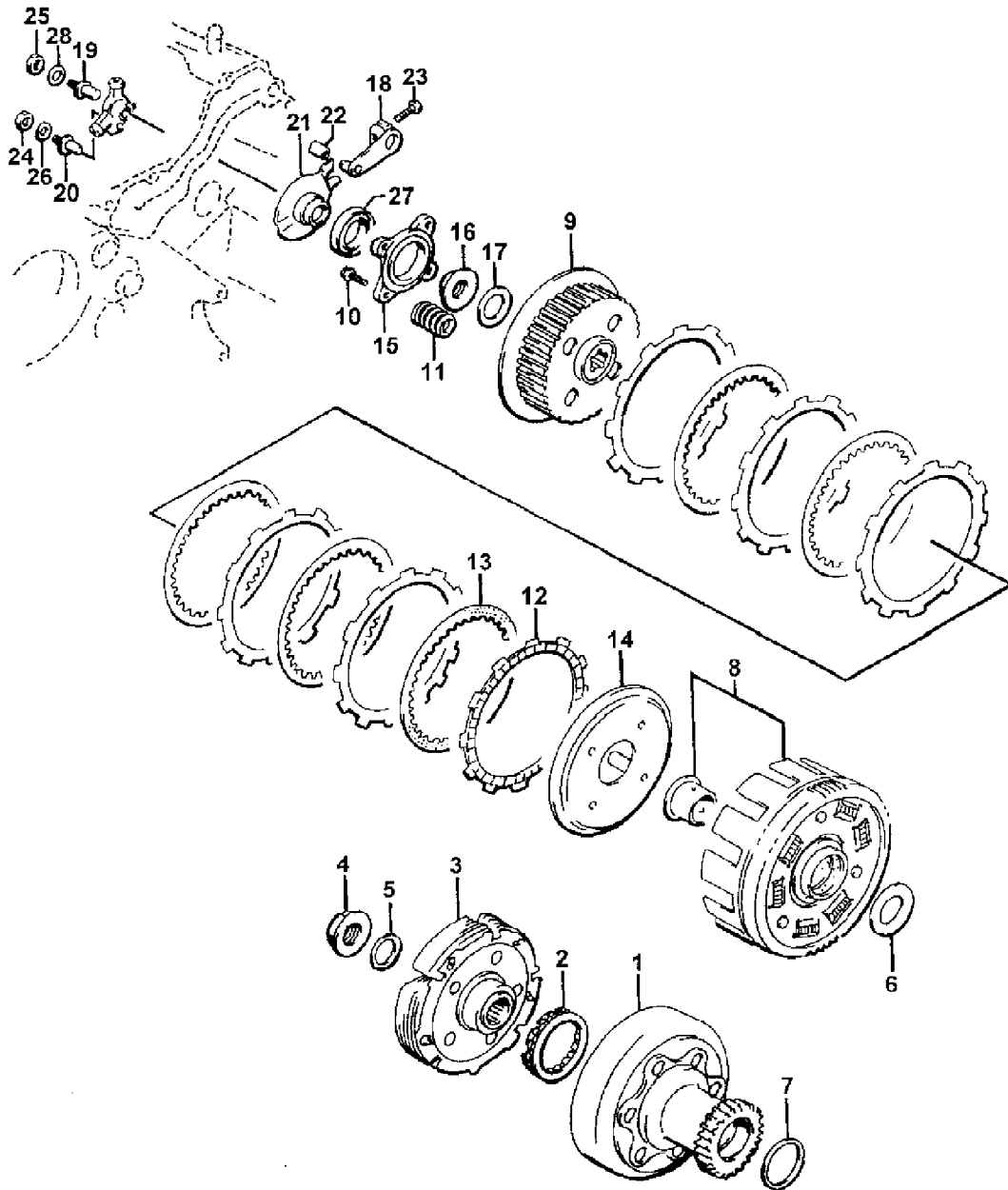
1998 ATV 500 4X4 (98A4G-1998)
CARBURETOR



1998 ATV 500 4X4 (98A4G-1998)
CARBURETOR

Page 10 of 94

Ref #	Part Number	Qty	S/P/F	Description
	0470-361	1		Complete Asseembly (500)
1	4505-001	1		Cover Assembly
2	4505-046	1	/P	Spring (500)
3	4505-003	1		Ring
4	4505-004	1	S	E-Ring
5	4505-005	1		Ring
6	4505-020	1	/P	Jet Needle
7	4505-007	4	S	Screw
8	4505-008	1	S	Diaphram (500)
9	4505-009	1		Screw
10	4505-010	1		Plunger Assembly (500)
11	4505-011	1	/P	O-Ring
12	4505-012	1		Washer
13	4505-013	1		Spring
14	4505-014	4		Screw
15	4505-016	1	/P	Screw, Pilot (500)
16	4505-017	1		Jet, Pilot 55 (500)
17	4505-080	1		Jet, Main 150
17	4505-047	1		Jet, Main 145
18	4505-006	1	/P	Needle Jet P-7
19	4505-021	1		Float Assembly
20	4505-022	1		Seat, Valve 2.0
21	4505-044	1		O-Ring, Bowl
22	4505-045	1		Filter
23	4505-049	1		Chamber, Float
24	4505-038	1	S	Jet, Pilot - Air (500)
25	4505-025	3		Screw
26	4505-026	1		Spring
27	4505-027	1		Cable Adjust - Assembly
28	4505-028	1		Cover
29	4505-029	1		Washer
30	4505-030	1		Screw
31	4505-031	1		O-Ring
32	4505-032	1		Guide, Cable
33	4505-033	2		Washer
34	4505-042	1		Screw
35	4505-034	1	/P	Clip
36	4505-035	2		Hose
37	4505-053	2		Clip
38	4505-052	1	S	Hose
39	4505-039	1	/P	Spring
40	6505-153	1		Pin
41	6505-006	1		Washer
42	0487-001	1		Cable, Throttle
43	0487-002	1		Cable, Choke
44	4505-048	1	S	O-Ring
45	4505-051	3		Screw, Cap
46	4505-050	1		Cover Assembly, Primer

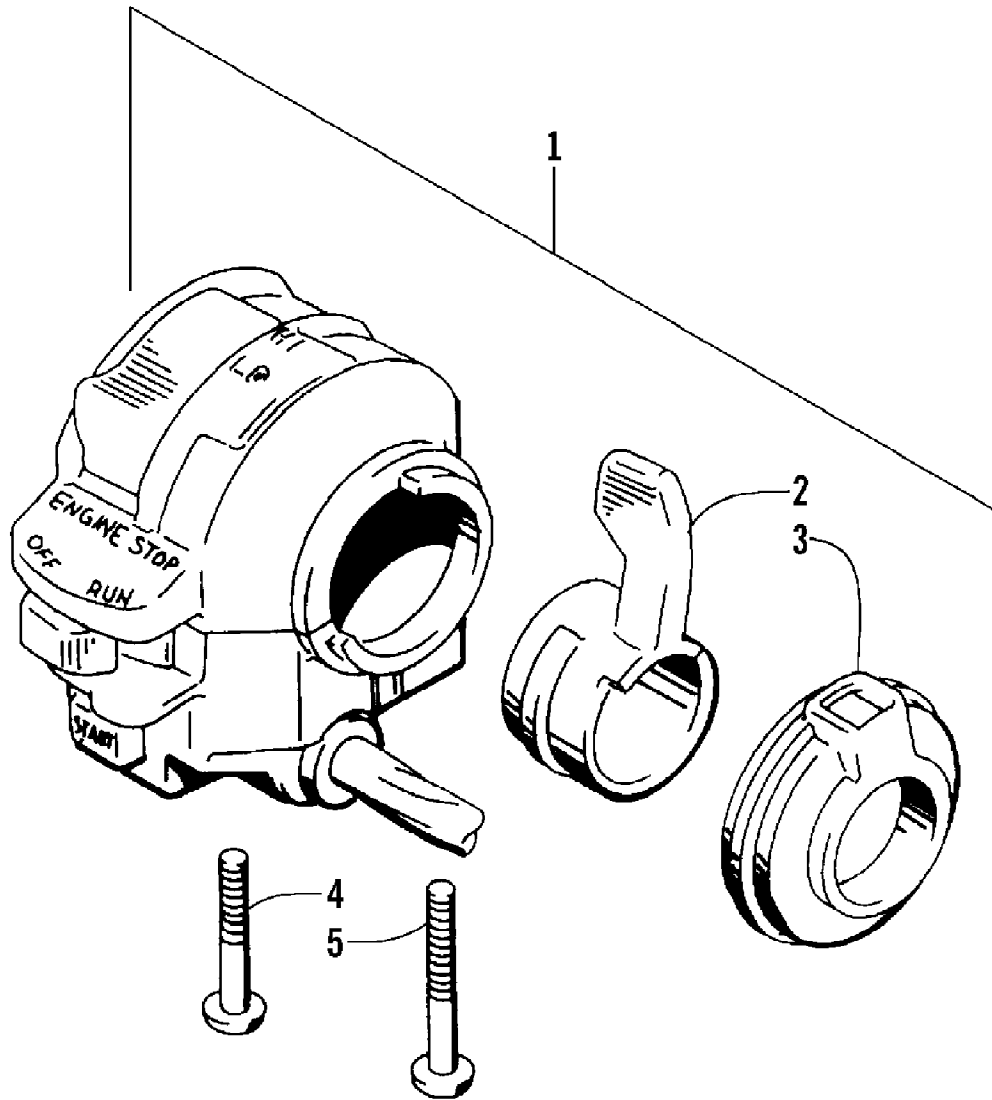


1998 ATV 500 4X4 (98A4G-1998)
CLUTCH ASSEMBLY

Page 12 of 94

Ref #	Part Number	Qty	S/P/F	Description
1	3446-232	1		Housing, Starter Clutch (500)
2	3446-003	1		Clutch, Primary Drive One Way
3	3446-233	1		Shoe, Starter Clutch (500)
4	3423-081	1		Nut, Starter Clutch Shoe
5	3423-032	1		Washer, Starter Shoe
6	3423-122	1		Washer, Primary Driven
7	3423-350	1		Washer, Primary Driven (500)
8	3446-002	1		Gear, Primary Driven - Assembly
9	3446-004	1		Hub, Clutch Sleeve (500)
10	3423-330	4		Screw, Cap, Clutch Spring
11	3446-005	4		Spring, Clutch
12	3446-006	6		Plate, Clutch Drive (500)
13	3446-007	5		Plate, Clutch Driven (500)
14	3446-008	1		Disk, Clutch Pressure
15	3446-009	1		Plate, Clutch Release
16	3423-080	1		Nut, Clutch Sleeve Hub
17	3423-032	1		Washer, Sleeve Hub
18	3446-011	1		Arm, Clutch Release
19	3423-333	1		Bolt, Clutch Release (No. 1) (500)
20	3423-083	2		Bolt, Clutch (No. 2)
21	3446-214	1		Guide, Release Roller
22	3446-013	1	S	Roller, Clutch Release - Assembly
23	3423-125	1	S	Bolt, Clutch Release Arm
24	3008-014	1		Nut, Clutch Release (No. 2)
25	3423-022	1		Nut, Clutch Release (No. 1) (500)
26	3423-027	1		Washer, Clutch (No. 2)
27	3402-186	1	/P	Bearing, Clutch
28	3423-204	1	/P	Washer, Clutch Release (No. 1) (500)

1998 ATV 500 4X4 (98A4G-1998)
CONTROL SWITCH HOUSING ASSEMBLY

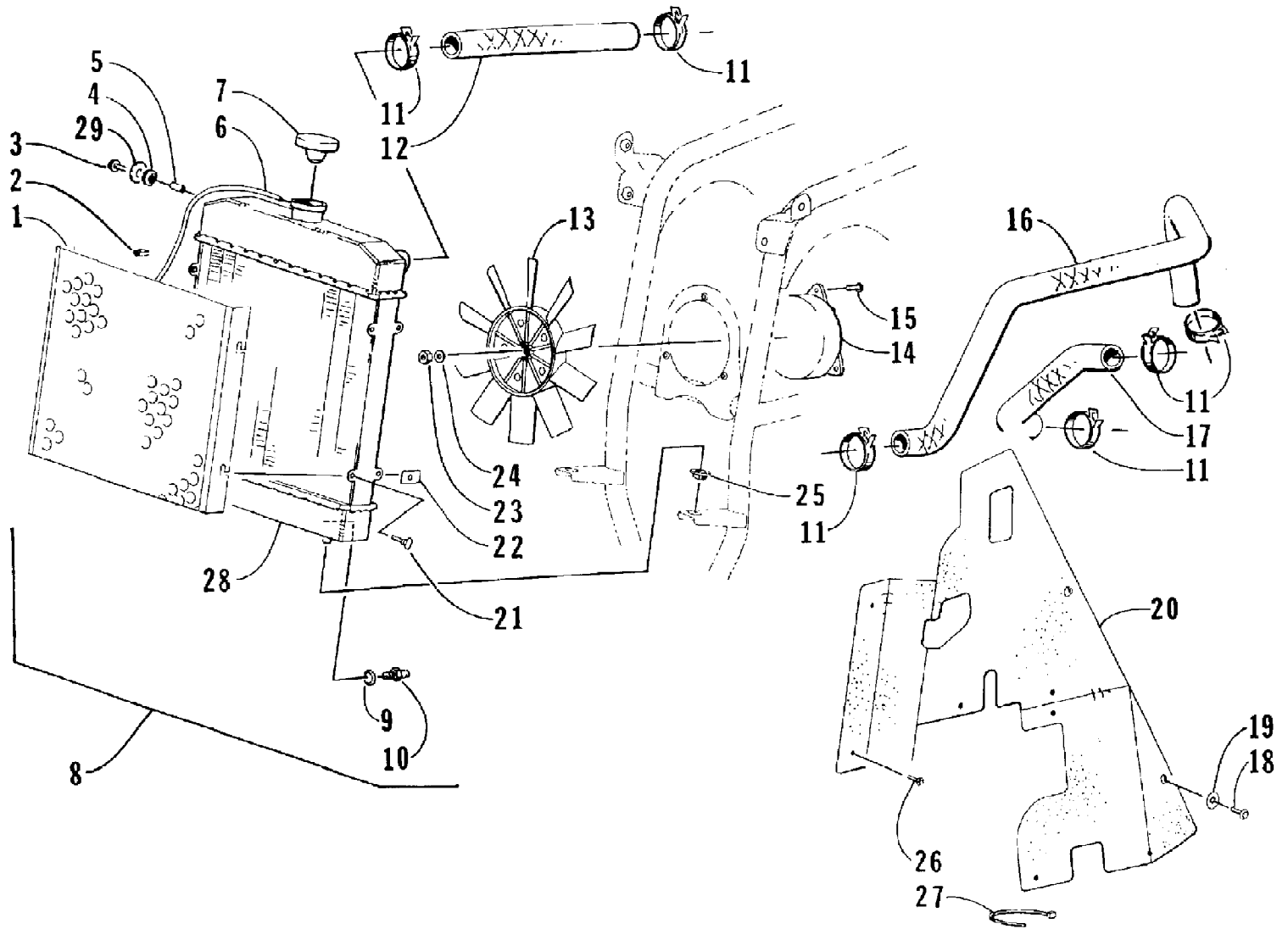


1998 ATV 500 4X4 (98A4G-1998)
CONTROL SWITCH HOUSING ASSEMBLY

Page 14 of 94

Ref #	Part Number	Qty	S/P/F	Description
1	3509-001	1	S	Switch, Handle - Assembly (inc. 2-5)
2	3409-009	1		Lever, Choke
3	3409-010	1		Cover, Choke
4	3423-196	1		Screw, Cap
5	3423-197	1		Screw, Cap

1998 ATV 500 4X4 (98A4G-1998)
COOLING ASSEMBLY

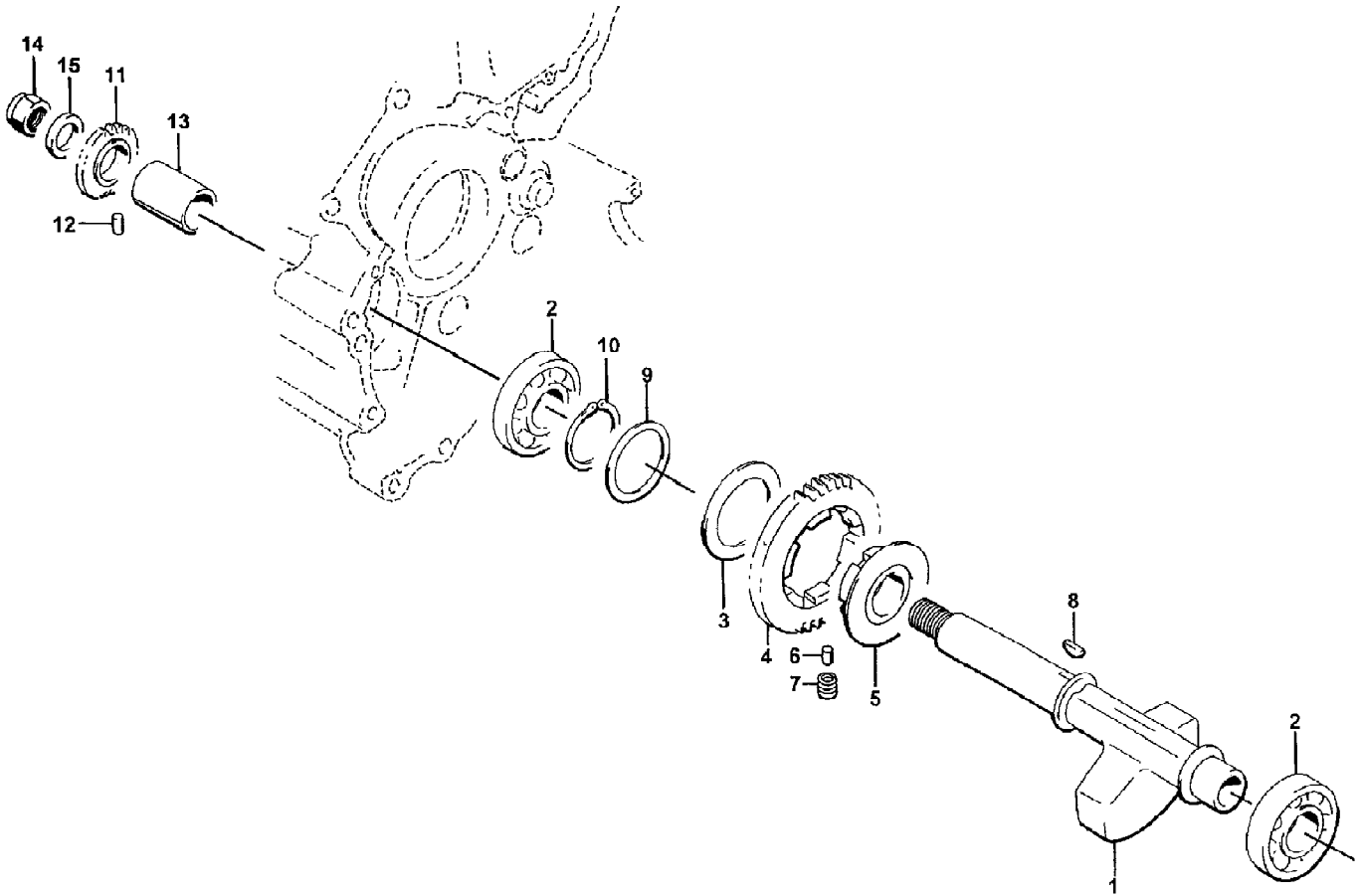


1998 ATV 500 4X4 (98A4G-1998)
COOLING ASSEMBLY

Page 16 of 94

Ref #	Part Number	Qty	S/P/F	Description
1	0413-007	1		Screen, Radiator
2	3002-964	2	/P	Clamp, Wire
3	8476-620	2		Screw, Cap
4	0423-030	2		Grommet
5	0423-036	2		Collar
6	0610-016	0	/P	Hose - 25 ft
7	0413-002	1	S	Cap, Radiator
8	0413-001	1		Radiator Assembly (inc. 1, 4, 7, 9-10, 21 and 28)
9	0423-062	1		O-Ring
10	0430-010	1	/P	Switch, Temperature Sensor
11	0423-070	6		Clamp, Hose
12	0410-002	1		Hose, Coolant - Upper
13	0413-006	1		Blade, Fan
14	0413-004	1		Motor, Fan
15	8474-516	3		Screw, Machine
16	0410-001	1		Hose, Coolant - Lower
17	0410-003	1		Hose, Coolant - Crossover
18	8474-616	4		Screw, Machine
19	0423-010	4		Washer, Shoulder
20	0406-200	2		Panel, Fender - Inner
21	0413-009	4		Screw, Thumb
22	0423-031	4		Nut, Speed
23	0423-056	1		Nut - Left
24	8050-252	1		Washer
25	0423-028	2		Bushing, Stem
26	8477-616	4		Screw, Machine
27	0123-788	8	/P	Tie, Cable
28	0	1	F	Radiator
29	0623-184	2		Washer

1998 ATV 500 4X4 (98A4G-1998)
CRANK BALANCER ASSEMBLY

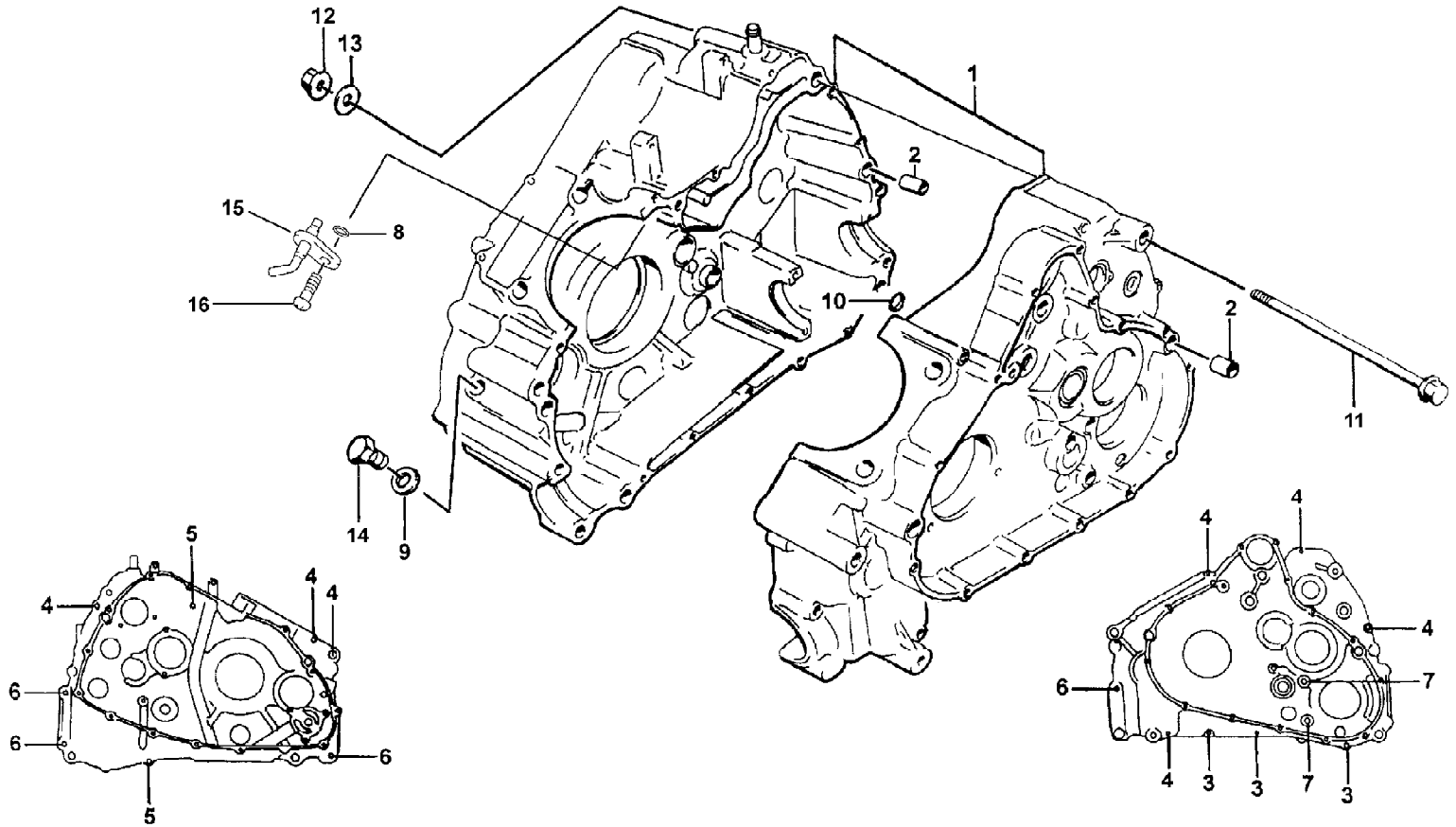


1998 ATV 500 4X4 (98A4G-1998)
CRANK BALANCER ASSEMBLY

Page 18 of 94

Ref #	Part Number	Qty	S/P/F	Description
1	3402-350	1		Balancer, Crank (500)
2	3402-050	2		Bearing
3	3423-033	1		Washer
4	3402-351	1		Gear, Driven (500)
5	3402-129	1		Race, Driven Gear - Inner
6	3423-106	3	/P	Pin
7	3402-090	6		Spring
8	3004-540	1	/P	Key
9	3423-107	1		Washer
10	3423-200	1	/P	Circlip
11	3402-150	1		Gear, Oil Pump Drive (500)
12	3423-114	1	/P	Pin
13	3402-151	1		Spacer
14	3423-025	1		Nut, Lock
15	3423-029	1		Washer

1998 ATV 500 4X4 (98A4G-1998)
CRANKCASE ASSEMBLY

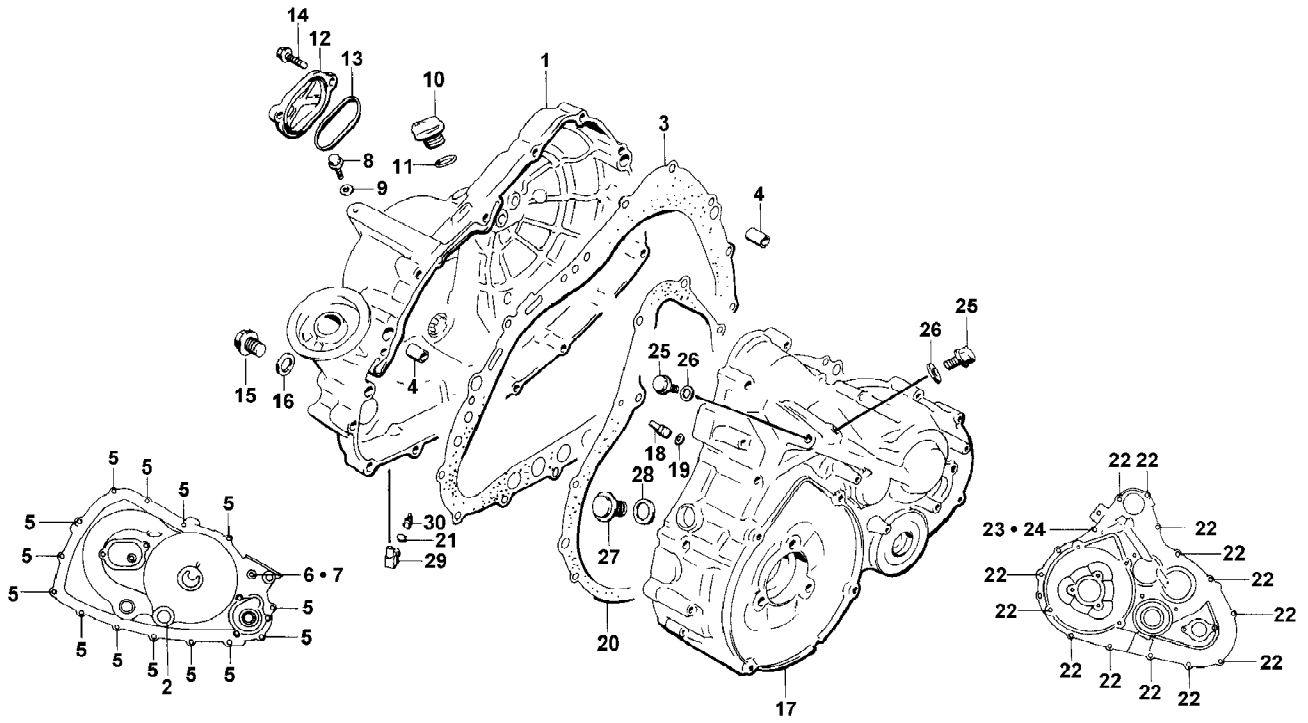


1998 ATV 500 4X4 (98A4G-1998)
CRANKCASE ASSEMBLY

Page 20 of 94

Ref #	Part Number	Qty	S/P/F	Description
1	3402-366	1	S	Crankcase Set (inc. 2-8, 10, 15, and 16) (500)
2	3423-088	4		Pin
3	3423-091	3	S	Screw, Cap
4	3423-092	6	S	Screw, Cap
5	3423-094	2		Screw, Cap
6	0693-303	4	S	Screw, Cap
7	3423-093	2		Screw, Cap
8	3423-051	1		O-Ring (500)
9	3402-011	1		Gasket
10	3423-052	1		O-Ring (500)
11	3423-009	3	/P	Screw, Cap
12	3423-024	3		Nut
13	3004-278	3	S/P	Washer
14	3423-095	1		Plug, Oil Gallery
15	3402-369	1		Jet, Piston Cooling (500)
16	3004-552	1	S	Screw (500)

1998 ATV 500 4X4 (98A4G-1998)
CRANKCASE COVER ASSEMBLY

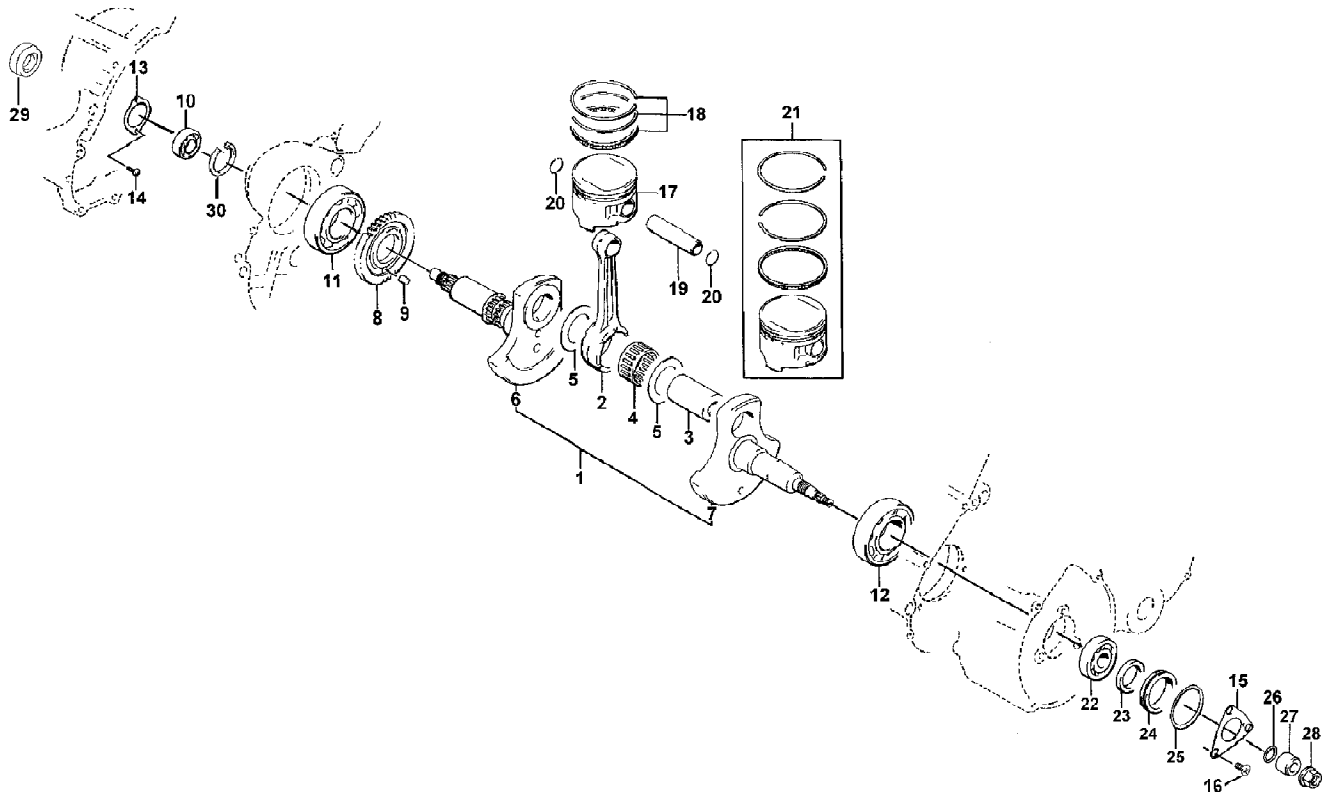


1998 ATV 500 4X4 (98A4G-1998)
CRANKCASE COVER ASSEMBLY

Page 22 of 94

Ref #	Part Number	Qty	S/P/F	Description
1	3402-367	1		Cover, Clutch (inc. 2) (500)
2	3402-112	1	/P	Lens, Oil Inspection
3	3402-108	1		Gasket
4	3423-088	4		Pin
5	0693-327	14	S	Screw, Cap
6	3423-097	1		Screw, Cap
7	3003-290	1	/P	Gasket
8	3004-339	1	S/P	Plug, Oil Gallery
9	3003-290	1	/P	Gasket
10	3402-042	1		Cap, Engine Oil Filler
11	3423-055	1		O-Ring
12	3402-363	1		Cap, Inspection (500)
13	3402-101	1		O-Ring
14	3423-096	2	S	Screw, Cap
15	3402-214	1		Plug, Oil Pressure (500)
16	3402-012	1		Gasket
17	3402-368	1		Cover Set, Transfer (inc. 18-19) (500)
18	3402-097	1		Jet, Oil Mission
19	3423-051	1		O-Ring
20	3402-109	1	S	Gasket
21	3423-120	1		Clip
22	3423-098	13	S	Screw, Cap
23	3423-092	1	S	Screw, Cap
24	3003-290	1	/P	Gasket
25	3423-348	2		Plug, Oil Gallery (500)
26	3005-242	2		Gasket
27	3402-041	1	S	Plug, Allen Head
28	3402-013	1	/P	Gasket
29	3413-009	1		Union, Water Drain
30	3413-008	1		Hose

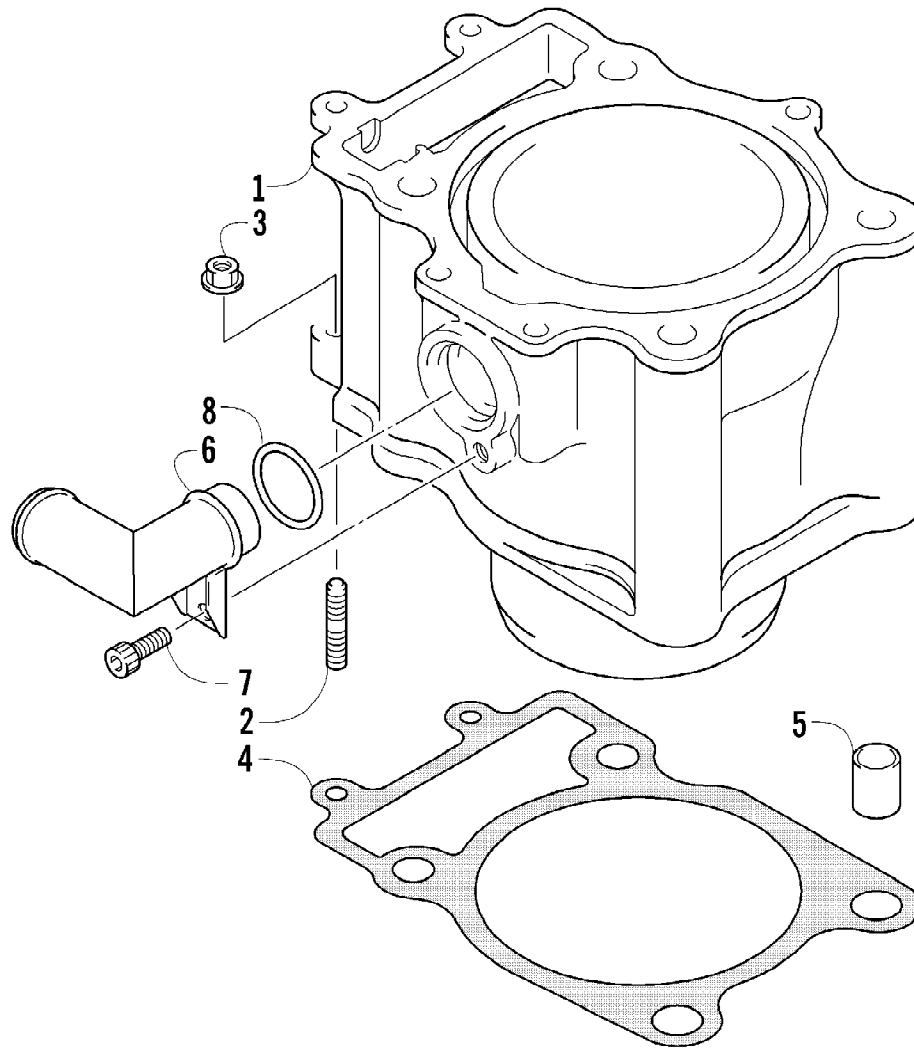
1998 ATV 500 4X4 (98A4G-1998)
CRANKSHAFT ASSEMBLY



1998 ATV 500 4X4 (98A4G-1998)
CRANKSHAFT ASSEMBLY

Page 24 of 94

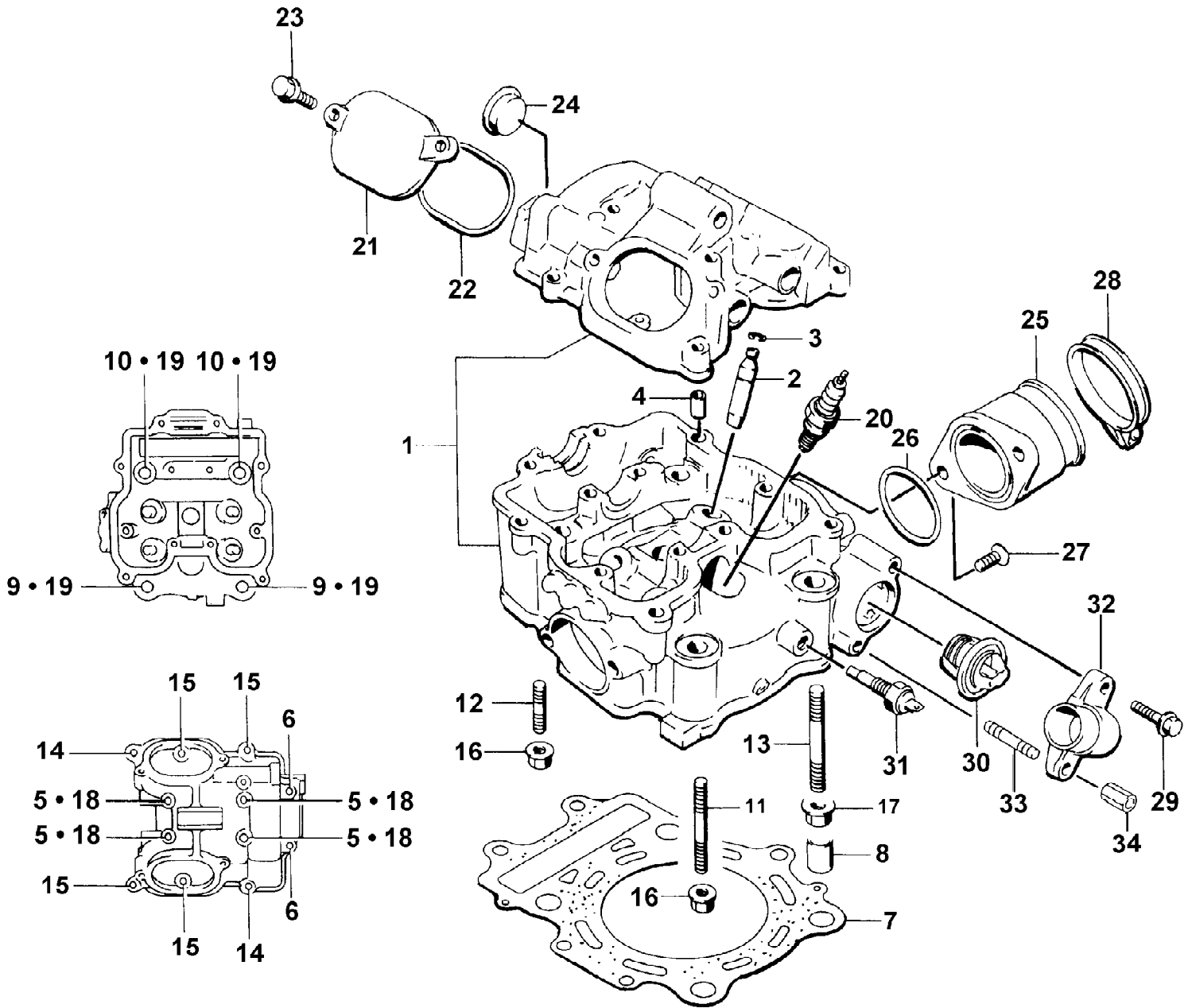
Ref #	Part Number	Qty	S/P/F	Description
1	3402-372	1		Crankshaft Assembly (inc. 2-9) (500)
2	3402-376	1		Rod, Connecting (500)
3	3402-377	1		Pin, Crank (500)
4	3402-386	1	S	Bearing (500)
5	3423-351	2		Washer (500)
7	3402-378	1		Crankshaft Set - Right (inc. 8-9) (500)
7	3402-379	1		Crankshaft - Left (500)
8	0	1	F	Gear, Balancer Drive
9	0	1	F	Pin
10	3402-384	1		Bearing - Right (500)
11	3402-058	1		Bearing - Center
12	3402-054	1		Bearing - Left
13	3402-120	1		Retainer, Bearing - Right
15	3402-188	1	/P	Retainer, Oil Seal - Left
16	3423-018	3		Screw, Cap
17	3402-373	1		Piston (500)
18	3402-374	1		Ring Set, Piston (500)
18	3436-009	1	/P	Ring Set (+0.020 in.)
18	3436-010	1	/P	Ring Set (+0.040 in.)
19	3402-375	1		Pin (500)
20	3423-344	2		Circlip (500)
21	0	1	F	Piston Set (+0.020 in.)
21	0	1	F	Piston Set (+0.040 in.)
22	3402-051	1		Bearing
23	3402-070	1		Seal, Oil
24	3402-119	1	S	Spacer
25	3423-063	1		O-Ring
26	3423-053	1	/P	O-Ring
27	3402-348	1		Spacer, Bearing - Left
28	3004-491	1	S/P	Nut
29	3402-387	1		Seal, Oil
30	3423-355	1		Circlip



1998 ATV 500 4X4 (98A4G-1998)
CYLINDER ASSEMBLY

Page 26 of 94

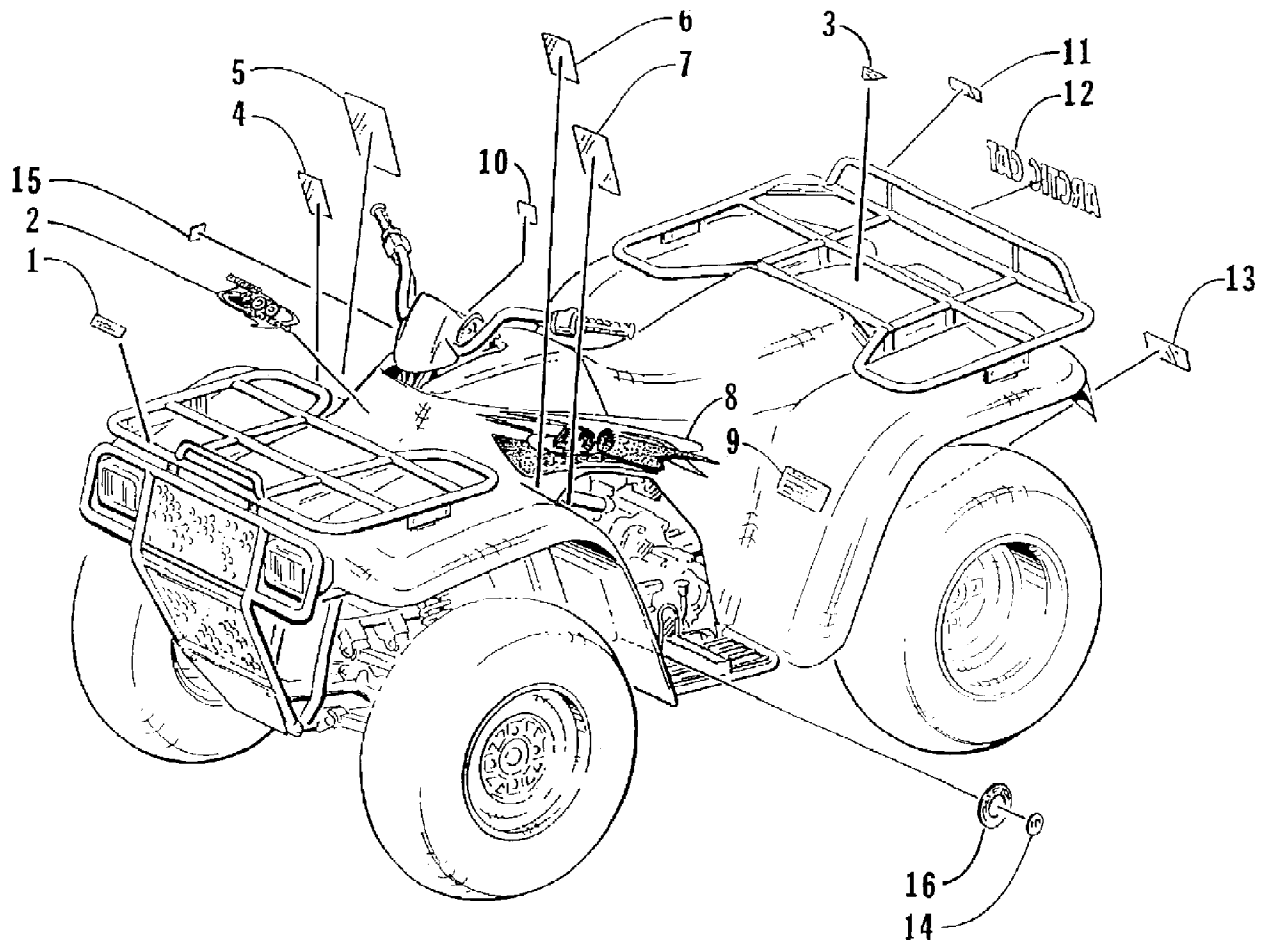
Ref #	Part Number	Qty	S/P/F	Description
1	3402-364	1		Cylinder (500)
2	3423-090	2		Bolt, Stud
3	3004-488	2	S/P	Nut
4	3402-365	1	/P	Gasket, Cylinder (500)
5	3423-088	2		Pin
6	3413-006	1		Union, Water Hose
7	3423-121	1	S	Screw, Cap
8	3423-058	1		O-Ring



1998 ATV 500 4X4 (98A4G-1998)
CYLINDER HEAD ASSEMBLY

Page 28 of 94

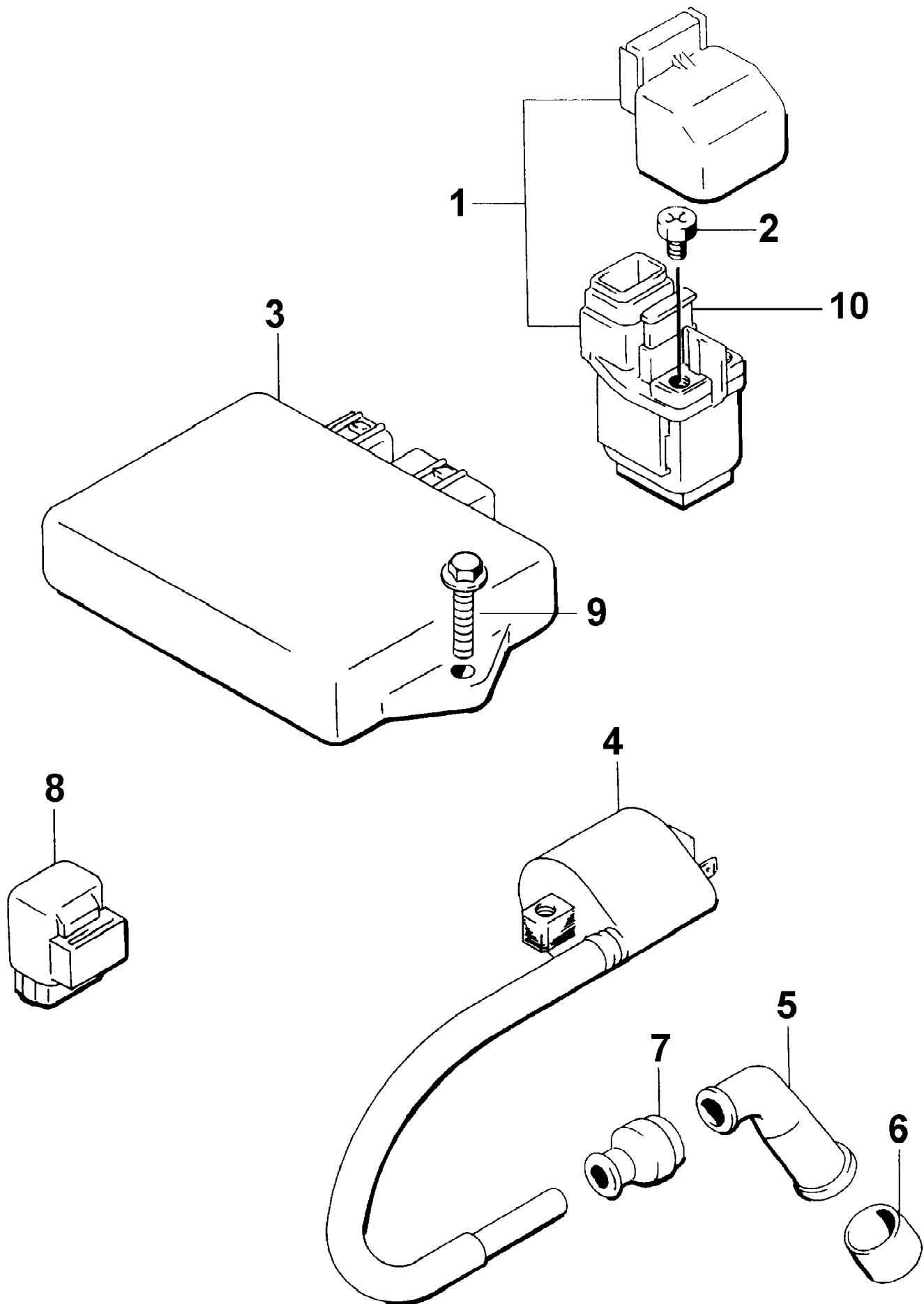
Ref #	Part Number	Qty	S/P/F	Description
	3402-370	1	S	Complete Gasket Set (500)
1	3402-361	1		Head, Cylinder - Assembly (inc. 2-6) (500)
2	3402-099	4		Guide, Valve
3	3423-068	4		Circlip
4	3423-043	2	/P	Pin
5	3423-006	4		Screw, Cap
6	3008-376	2	S	Screw, Cap
7	3402-362	1		Gasket, Cylinder Head (500)
8	3423-088	2		Pin
9	3423-015	2		Screw, Cap
10	3423-016	2		Screw, Cap
11	3423-089	2	S	Screw, Cylinder Head Stud
12	3423-087	2	S	Screw, Cylinder Head Stud
13	3423-203	1	S/P	Bolt, Stud
14	3423-007	2	S	Screw, Cap
15	3004-376	4	S/P	Screw, Cap
16	3004-488	4	S/P	Nut
17	3004-326	1	S/P	Nut
18	3003-290	4	/P	Gasket
19	3402-010	4		Gasket, Head Nut
20	0217-708	1		Spark Plug (NGK CR7E) (500)
21	3402-100	2		Cap, Inspection
22	3402-101	2		O-Ring
23	3004-341	4	S/P	Screw, Cap
24	3402-035	1		Plug, Cylinder Head
25	3402-357	1		Pipe, Intake - Assembly (500)
25	3402-358	1		Pipe, Intake - Assembly (500)
26	3423-353	1	/P	O-Ring (500)
27	3423-347	2		Screw, Cap (500)
28	3402-086	1	/P	Clamp
29	3004-341	1	S/P	Screw, Cap (500)
30	3413-012	1		Thermostat (500)
31	3430-038	1	S	Switch, Water Temp - Assembly
32	3413-004	1		Cover, Thermostat
33	3423-354	1		Stud, Thermostat Cover
34	3423-349	1		Nut



1998 ATV 500 4X4 (98A4G-1998)
DECALS

Page 30 of 94

Ref #	Part Number	Qty	S/P/F	Description
1	0411-006	1		Decal, Warning - Front Rack Load
2	0411-120	1		Decal, Front (500)
3	3611-002	1		Decal, "Made In U.S.A."
4	0411-045	1		Decal, Warning - Turn
5	0411-008	1	/P	Decal, Warning Reverse/Pre-Ride
6	0411-040	1		Decal, Warning - Age
7	0411-010	1		Decal, Warning - General
8	0411-112	1		Decal, Side Right (500)
8	0411-113	1		Decal, Side Left (500)
10	0411-097	1		Decal, Warning - Tire Pressure (500)
10	0411-125	1		Decal, Fuel Valve (500)
11	0411-007	1		Decal, Warning - Rear Rack Load
12	0411-043	1	/P	Decal, "Arctic Cat"
13	0411-013	1		Decal, Warning - Towing
14	0411-003	1		Decal, Shift Pattern
15	0411-011	1		Decal, Caution - Electrical
16	0411-009	1		Decal, Hi/Low Range



1998 ATV 500 4X4 (98A4G-1998)
ELECTRICAL COMPONENTS ASSEMBLY

Page 32 of 94

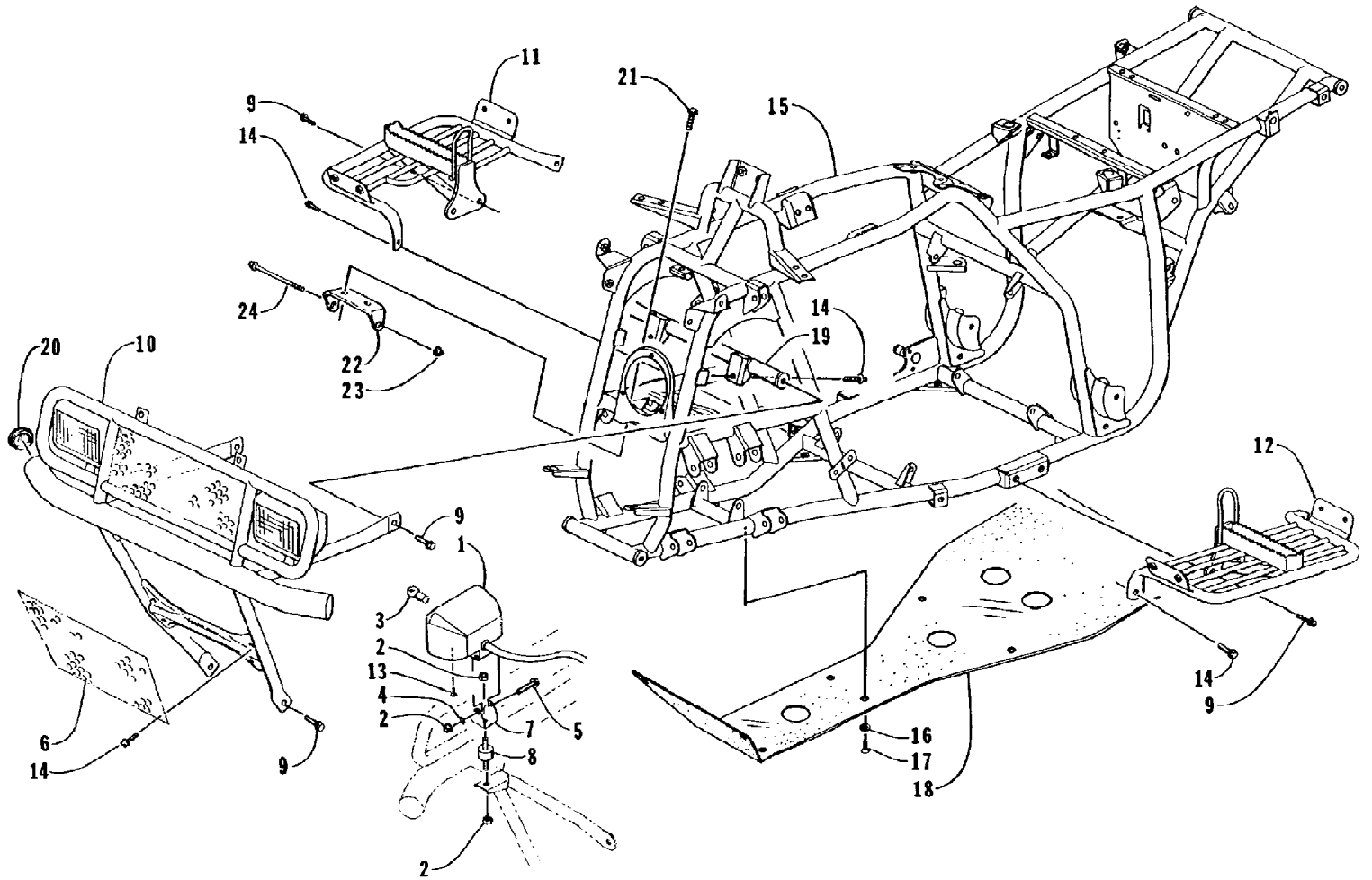
Ref #	Part Number	Qty	S/P/F	Description
1	3530-001	1	/P	Relay, Starter Motor - Assembly (inc. 10)
2	3423-020	2	/P	Screw, Cap
3	3430-014	1		CDI Unit
4	3530-004	1	/P	Coil, Ignition - Assembly
5	3430-007	1	/P	Cap, Spark Plug
6	3430-008	1	/P	Seal, Spark Plug
7	3430-009	1	/P	Seal, High Tension Cord
8	3530-008	1	S	Relay, Neutral Start - Assembly
9	8476-616	2		Screw, Cap
10	0630-098	1		Fuse, 30 Amp

1998 ATV 500 4X4 (98A4G-1998)
ENGINE AND EXHAUST

Page 34 of 94

Ref #	Part Number	Qty	S/P/F	Description
1	0512-001	1		Pipe, Exhaust
2	8408-820	2	/P	Screw, Cap
3	3423-009	2	/P	Screw, Cap
4	0423-050	3		Washer, Engine
5	0423-042	1	S	Spacer, Engine
6	0462-011	1	S	Engine (500)
7	8428-002	2		Nut, Lock
8	0412-007	1	/P	Seal, Exhaust
9	8424-802	2		Nut
10	8408-860	1		Screw, Cap
11	8408-816	4		Screw, Cap
12	0506-083	1		Bracket, Upper Engine
13	0502-016	1	S	Lever, Shift
14	8476-620	1		Screw, Cap
15	0412-003	3		Spacer, Exhaust
16	0412-004	3		Bushing, Rubber
17	0412-005	1	S	Muffler
18	8408-830	3		Screw, Cap
19	0406-224	1		Cover, Exhaust
20	8477-610	4		Screw, Machine
21	8050-252	3		Washer
22	0214-015	1		Clamp
23	8053-211	4	S	Washer, Star
24	8424-602	2	/P	Nut
25	8476-640	2		Screw, Cap
26	0107-630	2		Spacer
27	0423-079	2		Clamp, Hose
28	0406-298	1		Plate, Heat - Muffler

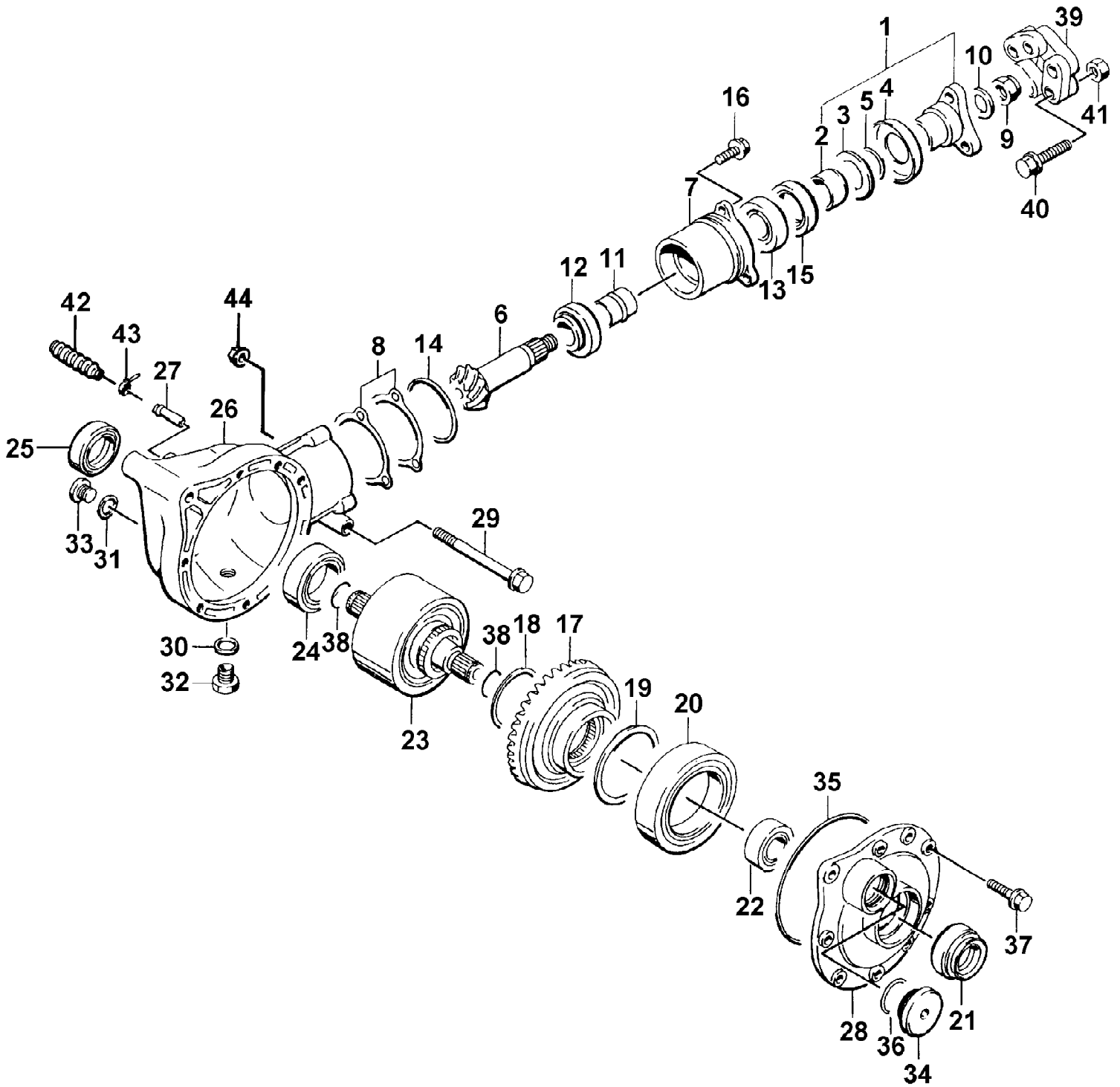
1998 ATV 500 4X4 (98A4G-1998)
FRAME AND RELATED PARTS



1998 ATV 500 4X4 (98A4G-1998)
 FRAME AND RELATED PARTS

Page 36 of 94

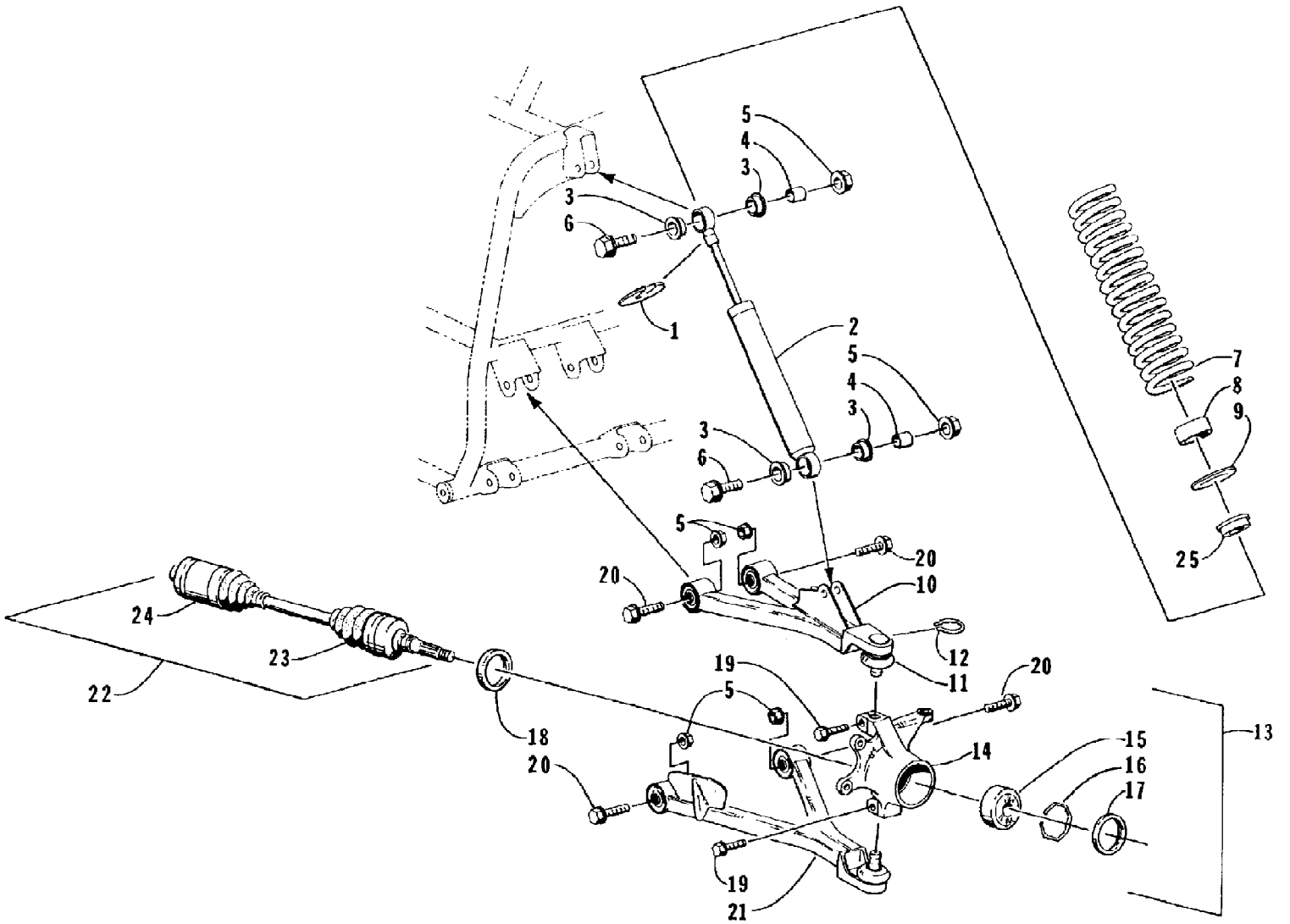
Ref #	Part Number	Qty	S/P/F	Description
1	0409-001	2		Headlight Assembly (inc. 3 and 13)
2	8424-802	6		Nut
3	0409-005	2		Bulb, Headlight
4	8053-242	2	/P	Washer, Lock
5	8408-850	2		Screw, Cap
6	0406-175	1		Screen, Bumper - Lower (500)
7	0406-261	2		Yoke, Headlight
8	0406-262	2	S	Mount, Headlight
9	8409-020	8	/P	Screw, Cap (500)
10	0506-186	1	S	Guard, Brush (500)
11	0506-176	1	S	Footrest - Right
12	0506-177	1	S	Footrest - Left
13	0123-590	2		Screw, Machine
14	8408-816	10		Screw, Cap (500)
15	0506-133	1		Frame, Main
16	0423-010	10		Washer, Shoulder
17	8474-616	10		Screw, Machine
18	0406-354	1	/P	Panel, Belly
19	0506-079	1		Tube, Cross - Bumper (500)
20	0406-130	2		Cap, Bumper
21	8408-820	2	/P	Screw, Cap
22	0506-149	1		Bracket, Differential
23	8428-002	1		Nut, Lock
24	3423-010	1	/P	Screw, Cap



1998 ATV 500 4X4 (98A4G-1998)
FRONT BEVEL GEAR ASSEMBLY

Page 38 of 94

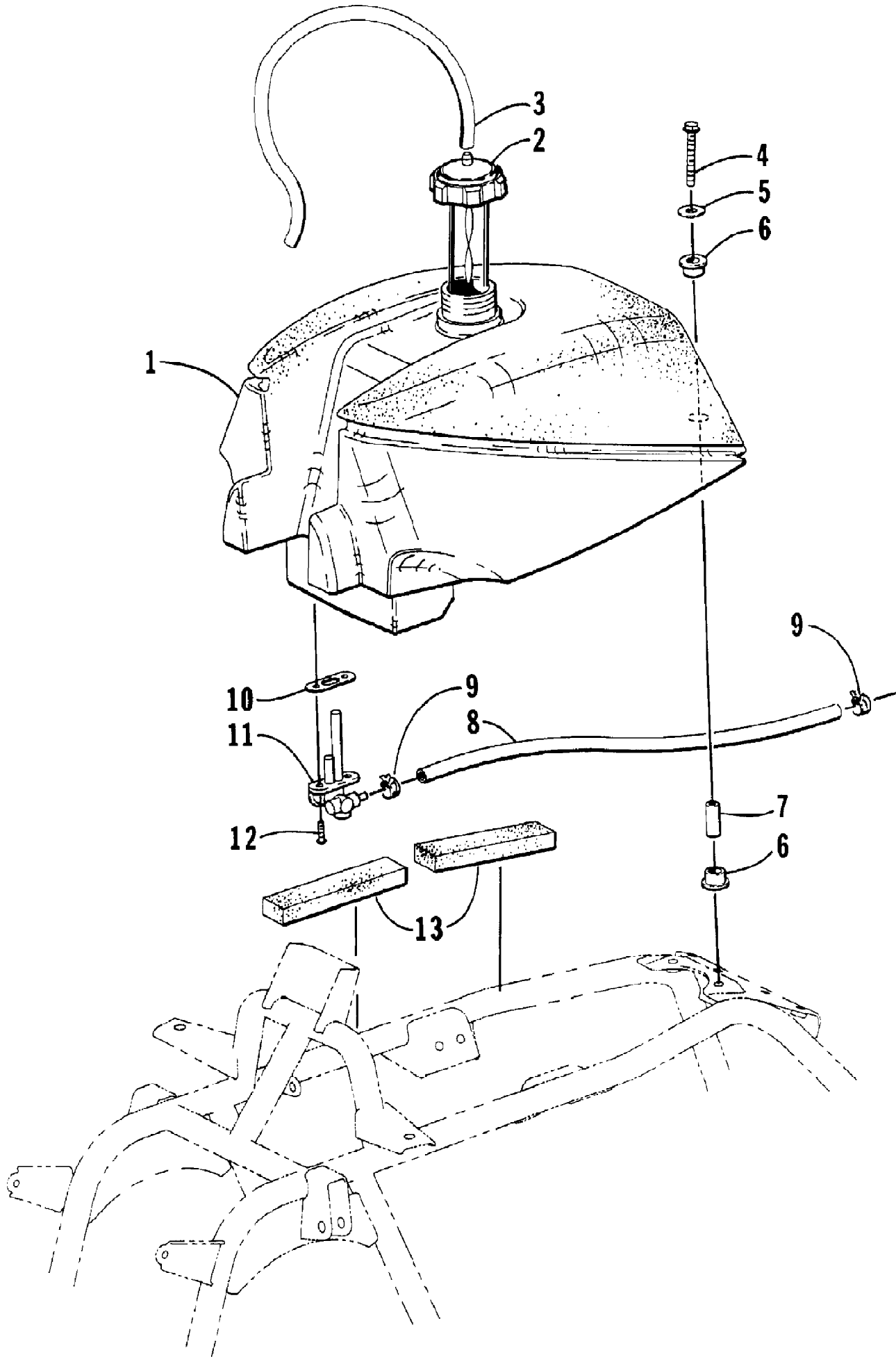
Ref #	Part Number	Qty	S/P/F	Description
	3502-003	1	S/P	Complete Assembly
1	3435-009	1	S/F	Flange, Gear (inc. 2-5)
2	3435-029	1	F	Collar, Gear
3	3435-030	1	F	Plate, Oil Seal
4	3423-034	1	F	Plate, Gear
5	3423-060	1	F	O-Ring, Collar
6	3435-086	1		Gear, Bevel
7	3435-021	1		Housing, Bevel Gear
8	3435-022	1		Shim Set, Housing
9	3423-178	1	/P/F	Nut, Gear
10	3423-028	1	F	Washer, Bevel Gear
11	3402-016	1		Spacer, Bevel Gear
12	3402-065	1		Bearing
13	3402-066	1	/P	Bearing
14	3423-064	1		O-Ring
15	3402-072	1		Seal, Joint
16	3423-175	1	S	Bolt, Housing
17	3435-087	1		Gear
18	3435-017	1		Shim Set
19	3435-020	1		Shim Set
20	3402-059	1		Bearing
21	3402-072	1		Seal - Left
22	3402-185	1		Bearing - Left
23	3435-085	1		Differential Assembly
24	3402-057	1		Bearing, Differential Case - Right
25	3402-072	1		Seal, Output Oil
26	3435-024	1		Housing (inc. 27)
27	3402-084	1		Union, Breather
28	3435-025	1		Case, Bearing
29	3423-010	2	/P	Bolt, Mounting
30	3402-012	1		Gasket, Oil Drain Plug
31	3402-013	1	/P	Gasket, Oil Filler Plug
32	3402-036	1	S	Plug, Oil Drain
33	3402-041	1	S	Plug, Oil Filler
34	3402-197	1		Plug
35	3423-050	1		O-Ring
36	3423-061	1		O-Ring
37	3423-175	8	S	Screw, Cap
38	3423-070	2		Ring, Driveshaft - Front
39	3435-007	1	F	Coupling, Propeller Shaft
40	3423-182	6	S/F	Screw, Cap
41	3004-491	6	S/P/F	Nut
42	0402-147	1	S/F	Bladder, Case
43	0123-811	1	F	Tie, Cable
44	8428-002	1		Nut, Lock



1998 ATV 500 4X4 (98A4G-1998)
FRONT SUSPENSION ASSEMBLY

Page 40 of 94

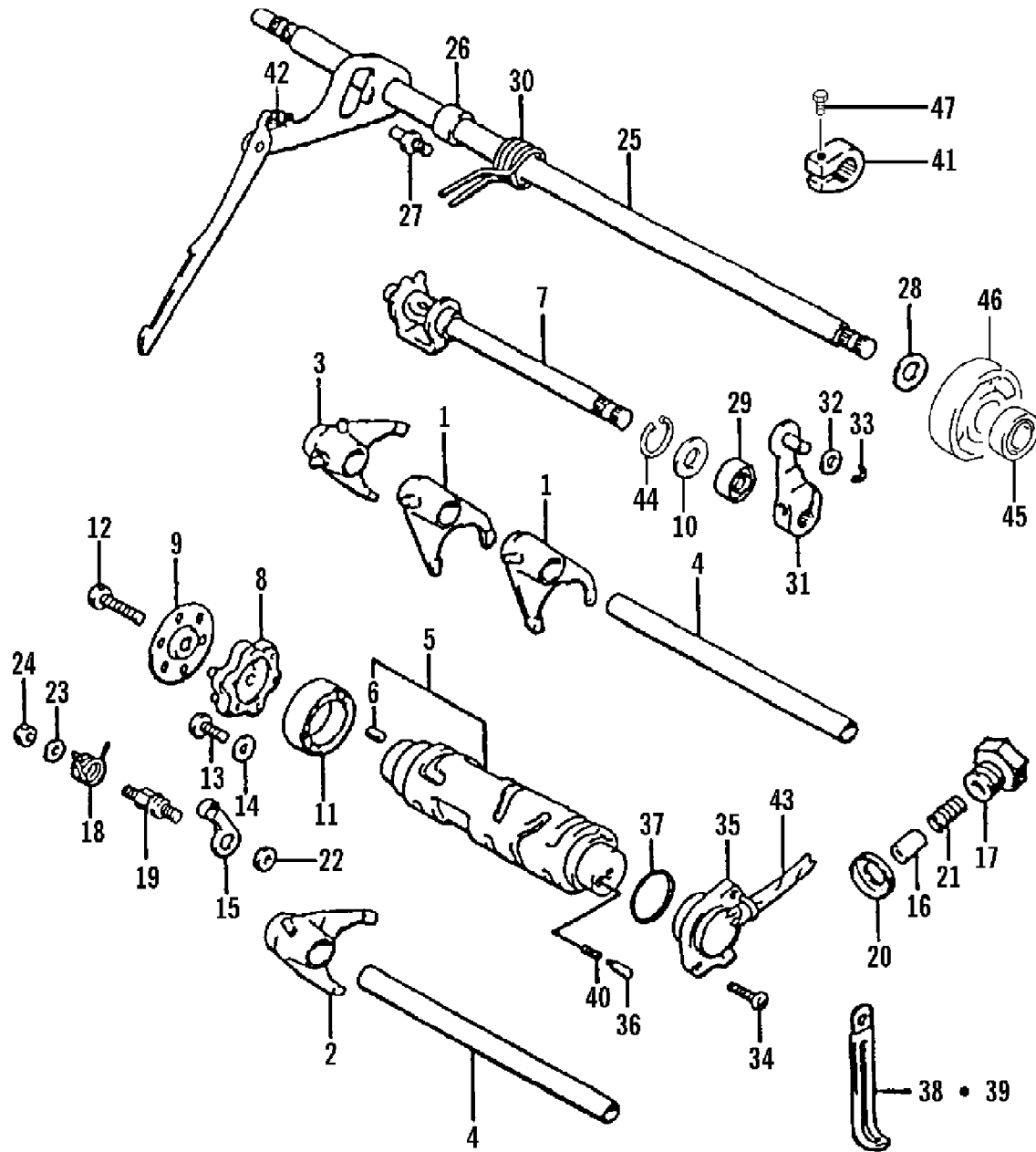
Ref #	Part Number	Qty	S/P/F	Description
1	0603-033	2	S	Retainer, Spring
2	0403-001	2		Shock Absorber - Front (inc. 3-4)
3	0604-310	8		Bushing, Shock Absorber
4	0403-028	4		Sleeve, Shock
5	8428-002	12		Nut, Lock
6	8409-040	4		Screw, Cap
7	0403-002	2		Spring, Shock Absorber
8	0403-025	2	/P	Collar, Spring
9	0403-013	2		Washer, Spring
10	0503-026	1	S/P	A-Arm, Upper Right - Assembly (inc. one No. 11-12)
10	0503-027	1	S/P	A-Arm, Upper Left - Assembly (inc. one No. 11-12)
11	0405-001	4	S	Ball Joint - Front
12	0423-009	4	/P	Clip, Ball Joint
13	0505-026	1	S/P	Knuckle - Assembly - Right (inc. 14 and one No. 15-18)
13	0	1		Knuckle - Assembly - Left (inc. 14 and one No. 15-18)
14	0505-024	1	S	Knuckle, Steering - Right
14	0505-025	1	S	Knuckle, Steering - Left
15	0402-275	2	/P	Bearing, Wheel Hub - Front
16	0423-034	2		Clip, Bearing
17	0402-089	2		Seal, Wheel Bearing - Front
18	0402-069	2		Seal, Wheel Bearing - Front
19	8409-030	4		Screw, Cap
20	8409-060	8		Screw, Cap
21	0503-012	1	S	A-Arm, Lower Right (inc. one No. 11-12)
21	0503-013	1	S	A-Arm, Lower Left (inc. one No. 11-12)
22	0402-179	2	S	Axle, Drive - Front
23	0436-114	2	S	Repair Kit, Outer Boot - Front Axle
24	0436-113	2	S	Repair Kit, Inner Boot - Front Axle
25	0403-027	2		Retainer, Spring - Lower



1998 ATV 500 4X4 (98A4G-1998)
FUEL TANK ASSEMBLY

Page 42 of 94

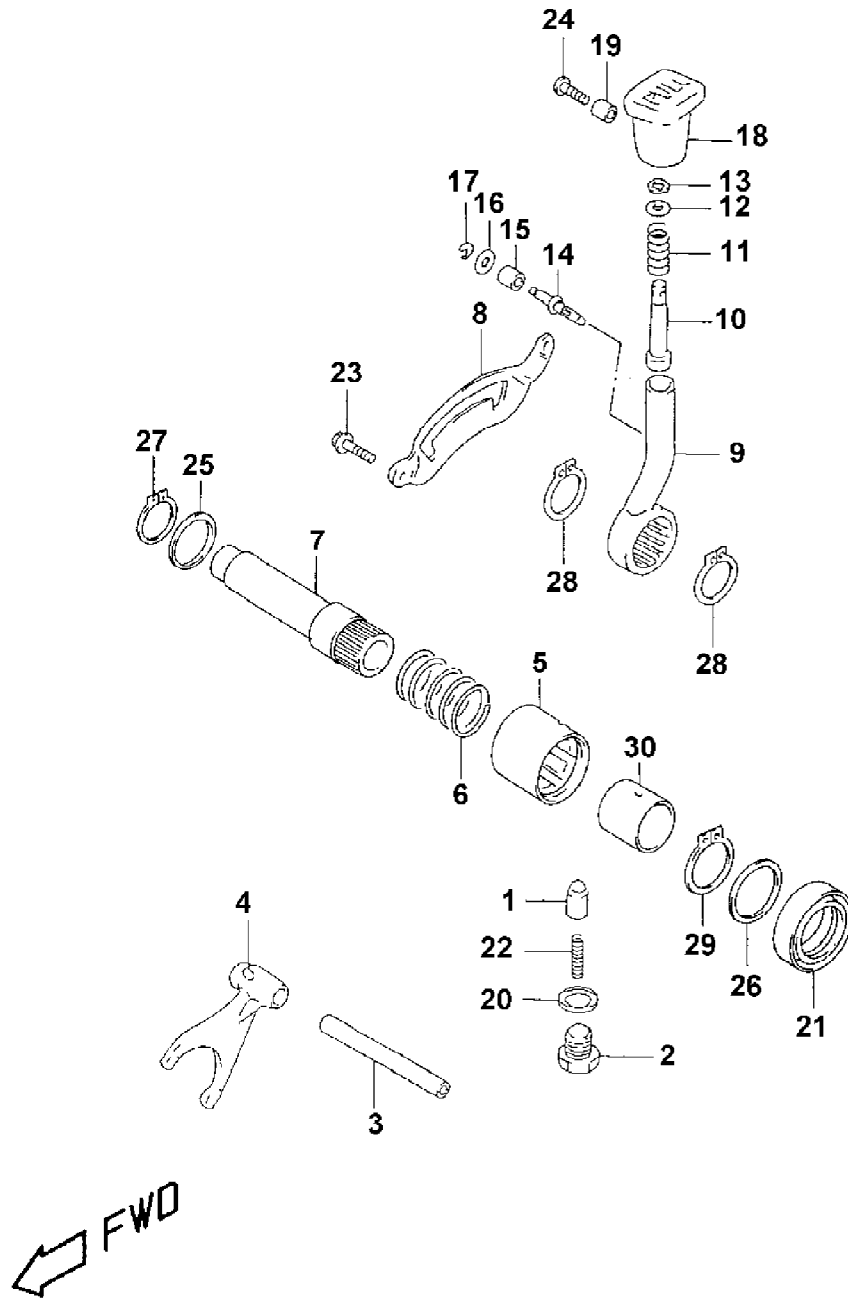
Ref #	Part Number	Qty	S/P/F	Description
1	0570-012	1	S	Tank, Fuel (inc. 2-3 and 8-12)
2	0470-315	1	S	Cap, Fuel Tank (inc. 3)
3	0470-316	1		Line, Fuel Cap Vent
4	8476-650	2		Screw, Cap
5	0623-184	2		Washer
6	0406-169	4		Bushing, Fuel Tank Mount
7	0406-170	2		Collar, Fuel Tank Mount
8	0610-007	0	/P	Line, Fuel
9	0423-048	2		Clamp, Hose - Spring
10	0	1	F	Gasket, Fuel
11	0470-344	1	S	Valve, Shut-Off (inc. 10)
12	8471-616	2		Screw, Cap
13	0417-001	4		Pad, Fuel Tank



1998 ATV 500 4X4 (98A4G-1998)
GEAR SHIFTING ASSEMBLY

Page 44 of 94

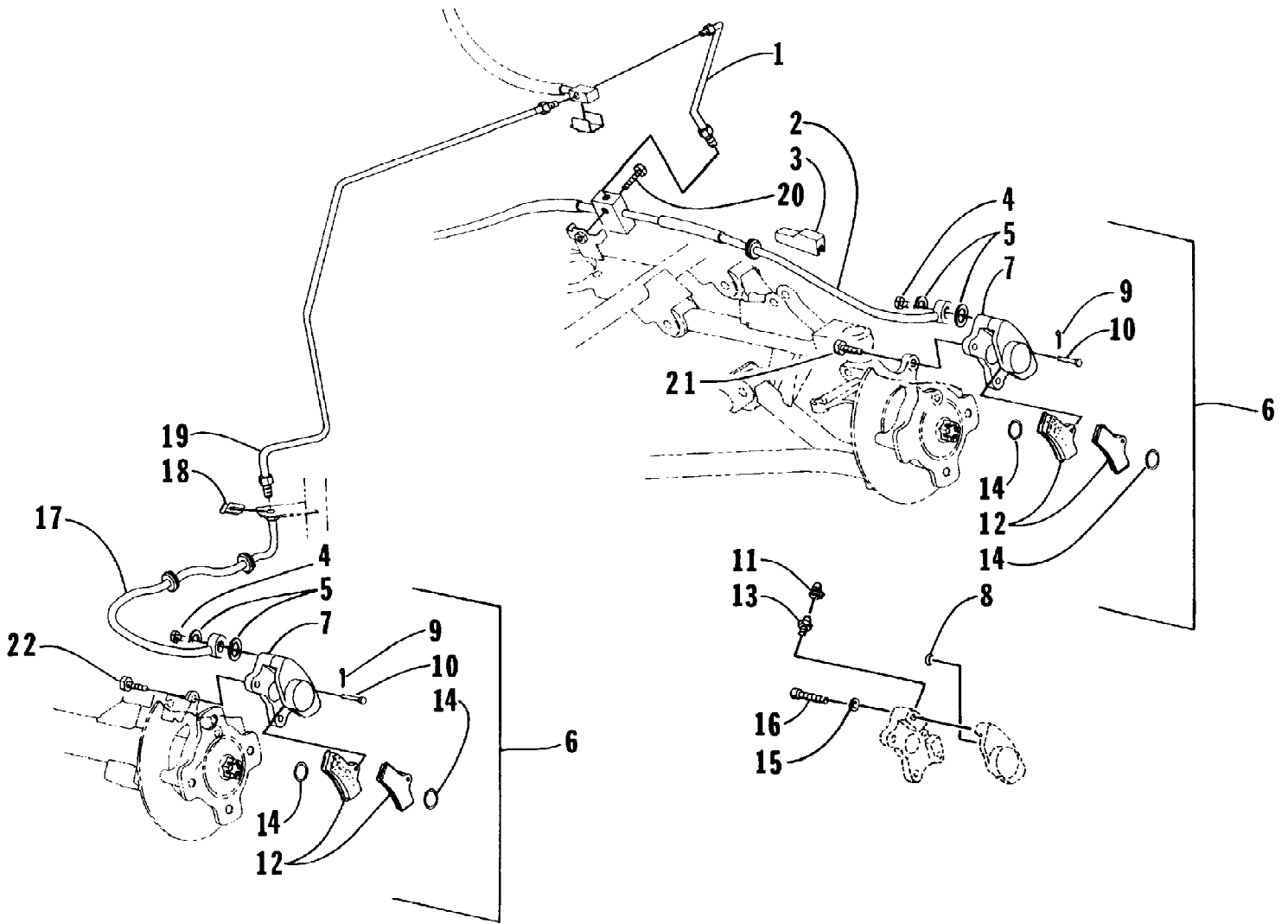
Ref #	Part Number	Qty	S/P/F	Description
1	3446-038	2		Fork, (No. 2)
2	3446-039	1		Fork, (No. 3)
3	3446-040	1		Fork, Reverse
4	3446-052	2		Shaft, Gear Shift Fork
5	3446-041	1		Cam, Gear Shift (inc. 6)
6	3423-114	1	/P	Pin, Gear Shift
7	3446-241	1		Cam, Reverse Shift
8	3446-049	1		Plate, Gear Shift Cam
9	3446-050	1	S	Guide, Gear Shift Cam Plate
10	3423-357	1		Washer, Reverse Shift Cam
11	3402-051	1		Bearing, Gear Shift Cam
12	3423-125	1	S	Bolt, Clutch Release Arm
13	3004-552	2	S	Screw, Cam Bearing Retainer
14	3423-135	2		Retainer, Bearing
15	3446-043	1		Stopper, Gear Shift Cam
16	3446-117	1		Stopper, Reverse Shift Cam
17	3446-164	1		Housing, Reverse Cam Stopper
18	3446-047	1		Spring, Shift Cam Stopper Arm
19	3446-048	1		Support, Shift Cam Stopper
20	3402-012	1		Gasket, Cam Stopper Housing
21	3402-088	1		Spring, Reverse Cam Stopper
22	3423-141	1		Washer, Gear Shift Cam
23	3423-142	1		Washer, Cam Stopper Arm
24	3004-488	1	S/P	Nut, Cam Stopper Arm Support
25	3446-243	1	S	Shaft, Gear Shift (inc. 42)
26	3446-054	1		Spacer, Gear Shift Shaft
27	3446-056	1		Stopper, Gear Shift Arm
29	3402-076	1		Seal, Reverse Shift Oil
30	3402-094	1		Spring, Gear Shift Return
31	3446-055	1		Arm, Reverse Gear Shift
32	3423-204	1	/P	Washer, Gear Shift Cable Arm (500)
33	3423-168	1	S	E Ring, Gear Shift Cable Arm
34	3423-166	2	S	Screw, Cap
35	3430-015	1	/P	Base Assembly
36	3423-044	1		Contact, Neutral
37	3423-059	1		O-Ring, Neutral
38	3004-787	1		Clamp
39	3002-964	1	/P	Clamp
40	3402-087	1		Spring
41	3402-008	1	/P	Hub, Gear Shift
42	3402-093	1		Spring, Gear Shift
43	0706-990	0	/P	Tape, Foil
44	3423-358	1	S	Circlip, Reverse Shift Cam
45	3402-068	1	/P	Seal, Gear Shift Shaft Oil (500)
46	3402-385	1		Bearing, Gear Shift (500)



1998 ATV 500 4X4 (98A4G-1998)
HI/LO SHIFTER ASSEMBLY

Page 46 of 94

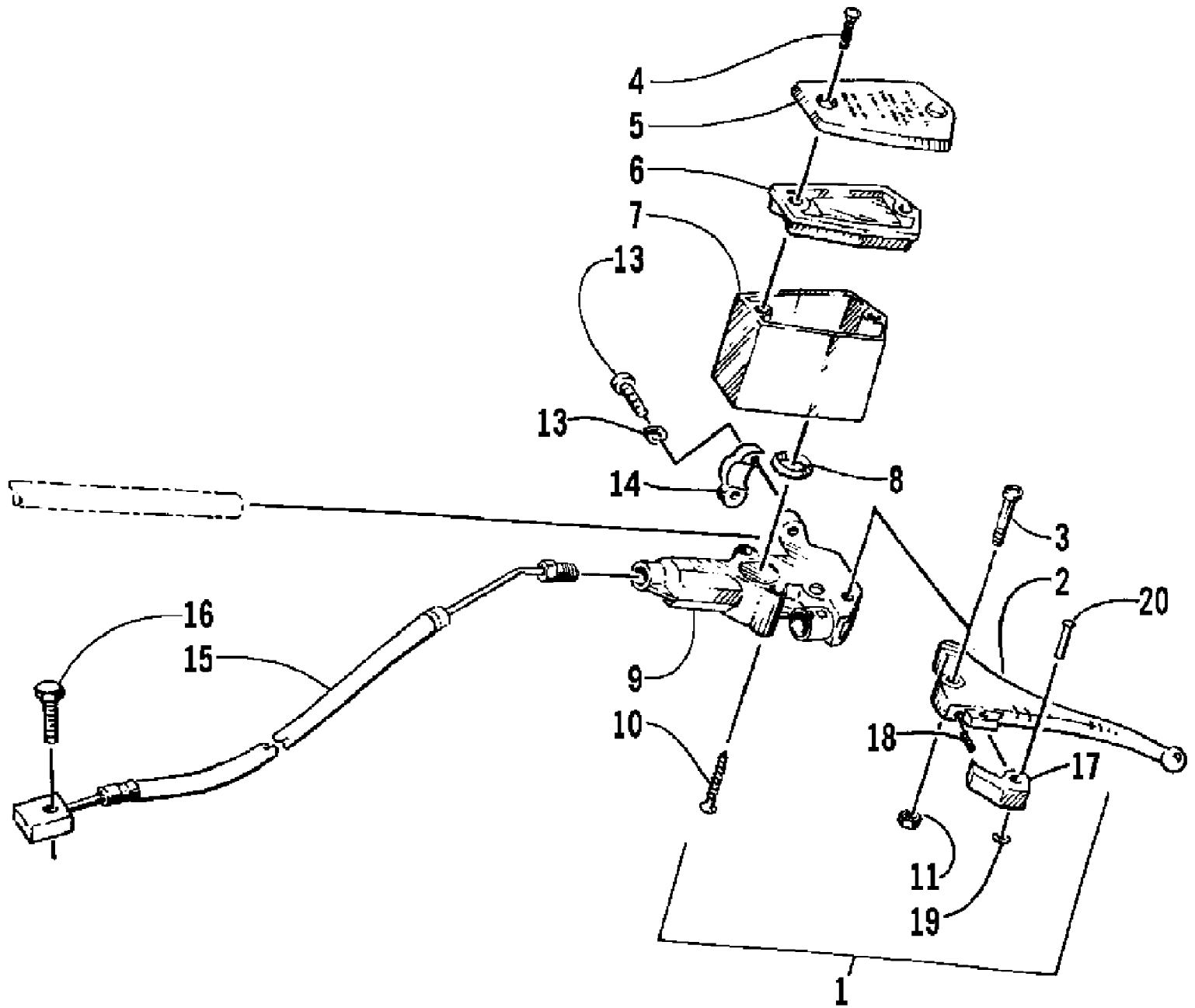
Ref #	Part Number	Qty	S/P/F	Description
1	3446-242	1		Stopper, Shift Cam
2	3446-046	1		Housing, Shift Stop
3	3446-051	1		Shaft, Fork
4	3446-073	1		Fork, Shift
5	3446-250	1		Cam, Shift
6	3446-104	1		Spring
7	3446-251	1	S	Shaft, Shift
8	3446-077	1		Plate, Lever Stop
9	3446-105	1	/P	Lever, Shift - Assembly (inc. 10-17)
10	3446-252	1		Rod, Sub
11	3446-107	1		Spring
12	3423-155	1		Washer
13	3423-154	1		Circlip
14	3423-205	1		Pin
15	3446-106	1		Collar
16	3423-152	1	/P	Washer
17	3423-153	1		E-Clip
18	3446-078	1		Knob
19	3402-191	1		Spacer
20	3402-012	1		Gasket, Cam Stop
21	3402-071	1	/P	Seal, Oil
22	3446-113	1		Spring
23	3004-377	2	S/P	Bolt, Stopper Plate
24	3423-156	1	S	Screw, Shift Knob
25	3402-382	1		Washer, Cam Stop
26	3423-158	1	/P	Washer, Shaft - Left
27	3423-191	1	/P	Circlip, Cam Spring
28	3423-192	2	/P	Circlip, Shift Lever
29	3423-193	1	S/P	Circlip, Shaft - Left
30	3446-261	1		Spacer Set (500)



1998 ATV 500 4X4 (98A4G-1998)
HYDRAULIC BRAKE ASSEMBLY

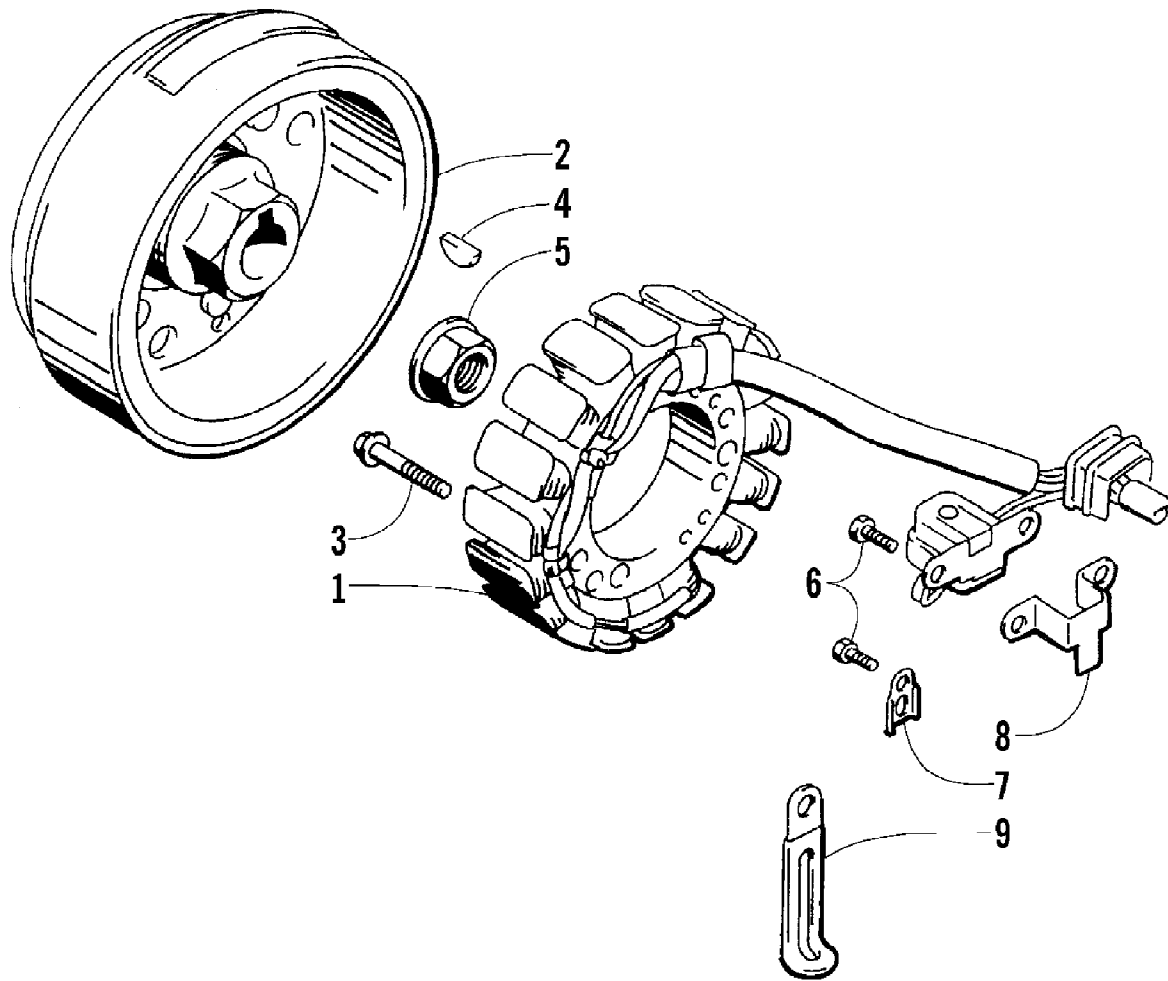
Page 48 of 94

Ref #	Part Number	Qty	S/P/F	Description
1	0402-053	1		Tube, Brake Line - Front
2	0402-051	1	S	Hose, Brake - Front
3	0402-073	2		Block, Mounting
4	0423-038	3	S	Bolt, Oil
5	0423-039	6		Washer, Crush
6	0402-010	1	/P	Caliper, Brake - Right Front (inc. 7-13 and two No. 14-16)
6	0402-011	2	/P	Caliper, Brake - Left Front and Rear (inc. 7-13 and two No. 14-16)
7	0	3	F	Housing, Caliper
8	0402-164	3		O-Ring
9	0117-868	3		Pin, Cotter
10	0402-142	3		Pin, Hydraulic Brake Caliper
11	0402-143	3		Cap, Bleeder Valve
12	0402-096	6	S	Pad, Hydraulic Brake
13	0402-167	3		Valve, Bleeder
14	0402-141	6		O-Ring, Hydraulic Brake Caliper
15	0402-165	6		Washer
16	0402-166	6	S	Screw, Socket Head
17	0402-184	1		Hose, Brake - Rear
18	0402-115	1	S	Clip, Brake Line
19	0402-054	1		Tube, Brake Line - Rear
20	8476-625	1		Screw, Cap
21	8408-825	4		Screw, Cap
22	8408-820	2	/P	Screw, Cap



1998 ATV 500 4X4 (98A4G-1998)
HYDRAULIC BRAKE CONTROL ASSEMBLY

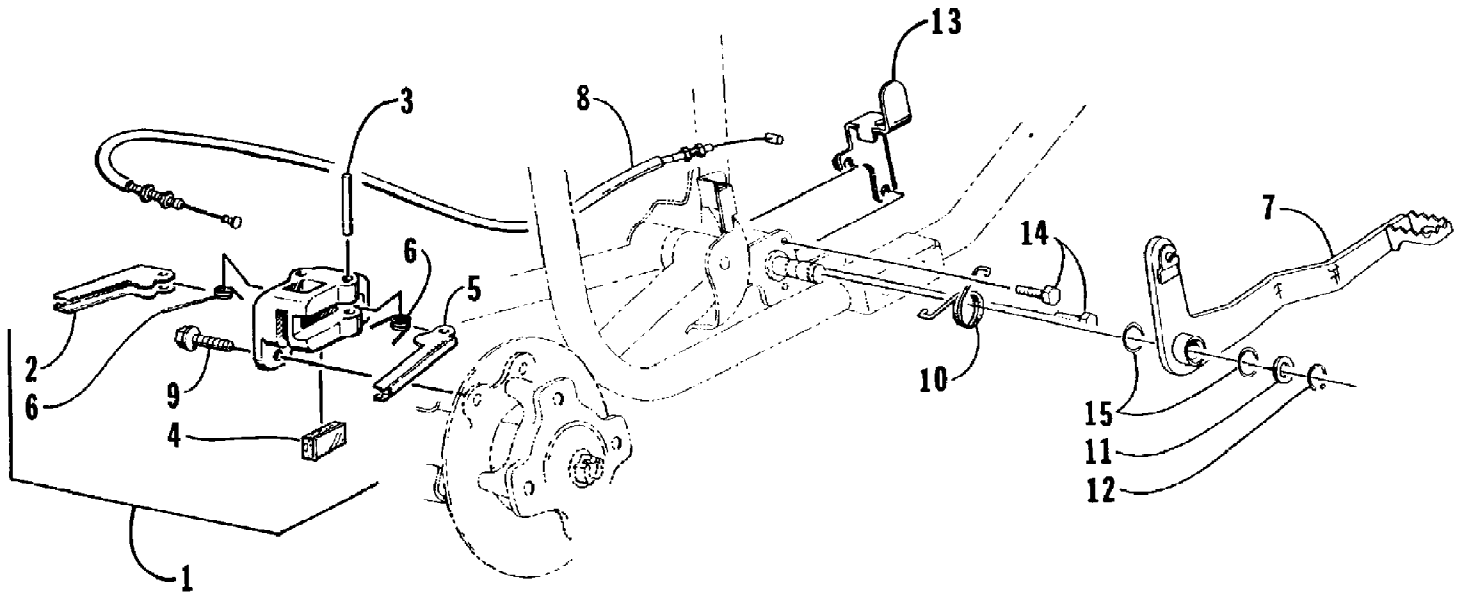
Ref #	Part Number	Qty	S/P/F	Description
1	0502-061	1	S	Brake, Lever - Assembly (inc. 2-14)
2	0402-242	1	S	Lever, Brake
3	0623-430	1	/P	Bolt, Lever Mounting
4	0623-506	2		Screw, Cover - Master Cylinder
5	0602-742	1		Cover, Master Cylinder
6	0602-741	1		Gasket, Cover - Master Cylinder
7	0602-740	1		Reservoir, Hydraulic Brake
8	0602-587	1		O-Ring, Reservoir
9	0	1	F	Master Cylinder
10	0623-432	2		Screw, Reservoir Mount
11	0623-056	1		Nut, Lock
12	8052-212	2		Washer, Lock
13	0623-613	2	/P	Screw, Clamp
14	0602-907	1		Clamp
15	0402-050	1	S	Hose, Master Cylinder
16	8476-625	1		Screw, Cap
17	0402-240	1	S	Lever, Brake Lock
18	0402-245	1		Spring
19	0423-090	1		Nut, Press
20	0402-246	1		Pin



1998 ATV 500 4X4 (98A4G-1998)
MAGNETO ASSEMBLY

Page 52 of 94

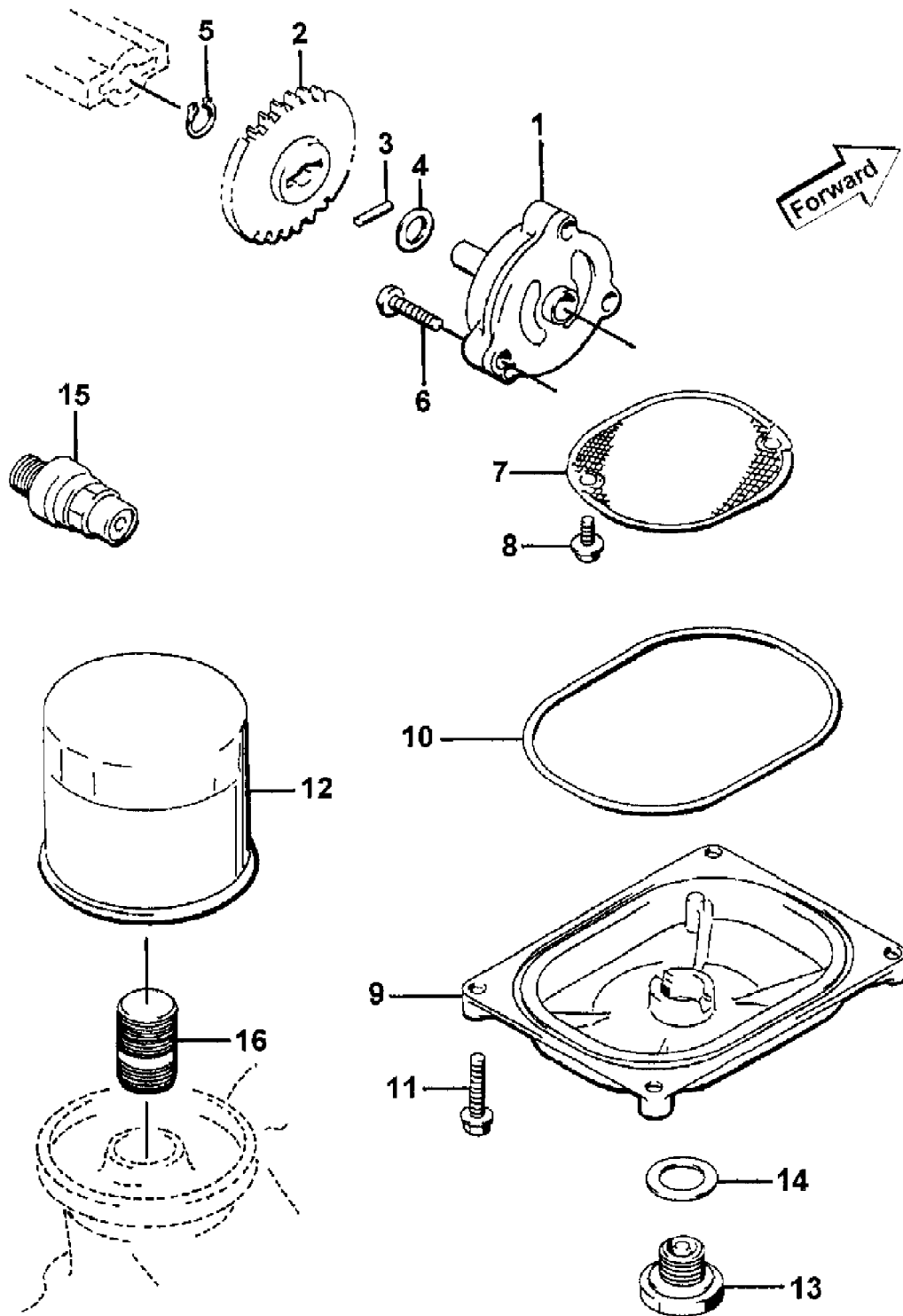
Ref #	Part Number	Qty	S/P/F	Description
1	3430-011	1	/P	Stator Assembly
2	3430-012	1		Rotor
3	3423-162	3	S	Bolt, Magneto
4	0691-785	1		Key, Magneto
5	3423-086	1		Nut, Magneto
6	3423-005	3	/P	Screw, Cap
7	3430-005	1		Clamp, Magneto (No. 1)
8	3430-006	1		Clamp, Magneto (No. 2)
9	3002-964	1	/P	Clamp, Magneto (No. 3)



1998 ATV 500 4X4 (98A4G-1998)
MECHANICAL BRAKE ASSEMBLY

Page 54 of 94

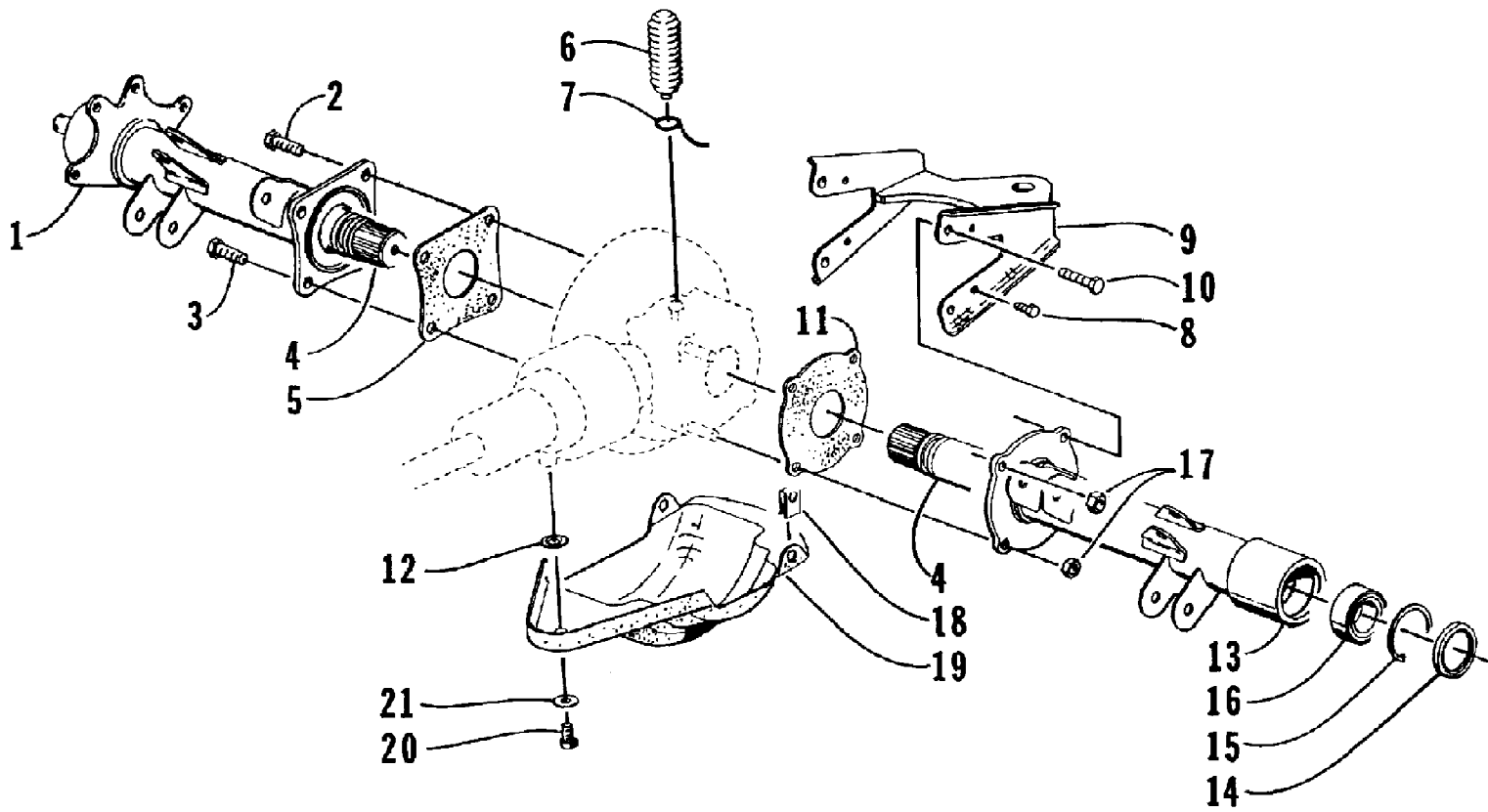
Ref #	Part Number	Qty	S/P/F	Description
1	0502-048	1	S	Mechanical Brake Assembly (inc. 2-6)
2	0402-206	1		Arm, Inner
3	0402-208	2		Pin, Arm
4	0402-210	2	S	Pad, Mechanical Brake
5	0402-207	1		Arm, Outer
6	0402-209	2		Spring, Arm
7	0502-024	1	S	Lever, Foot Brake
8	0487-006	1		Cable, Brake - Rear
9	8408-820	2	/P	Screw, Cap
10	0402-161	1	S/P	Spring, Foot Brake
11	0423-027	1		Washer, Brake Lever
12	0623-237	1	/P	Ring, Snap
13	0502-056	1		Bracket, Brake Switch
14	8476-616	2		Screw, Cap
15	0670-183	2		O-Ring



1998 ATV 500 4X4 (98A4G-1998)
OIL FILTER/PUMP ASSEMBLY

Page 56 of 94

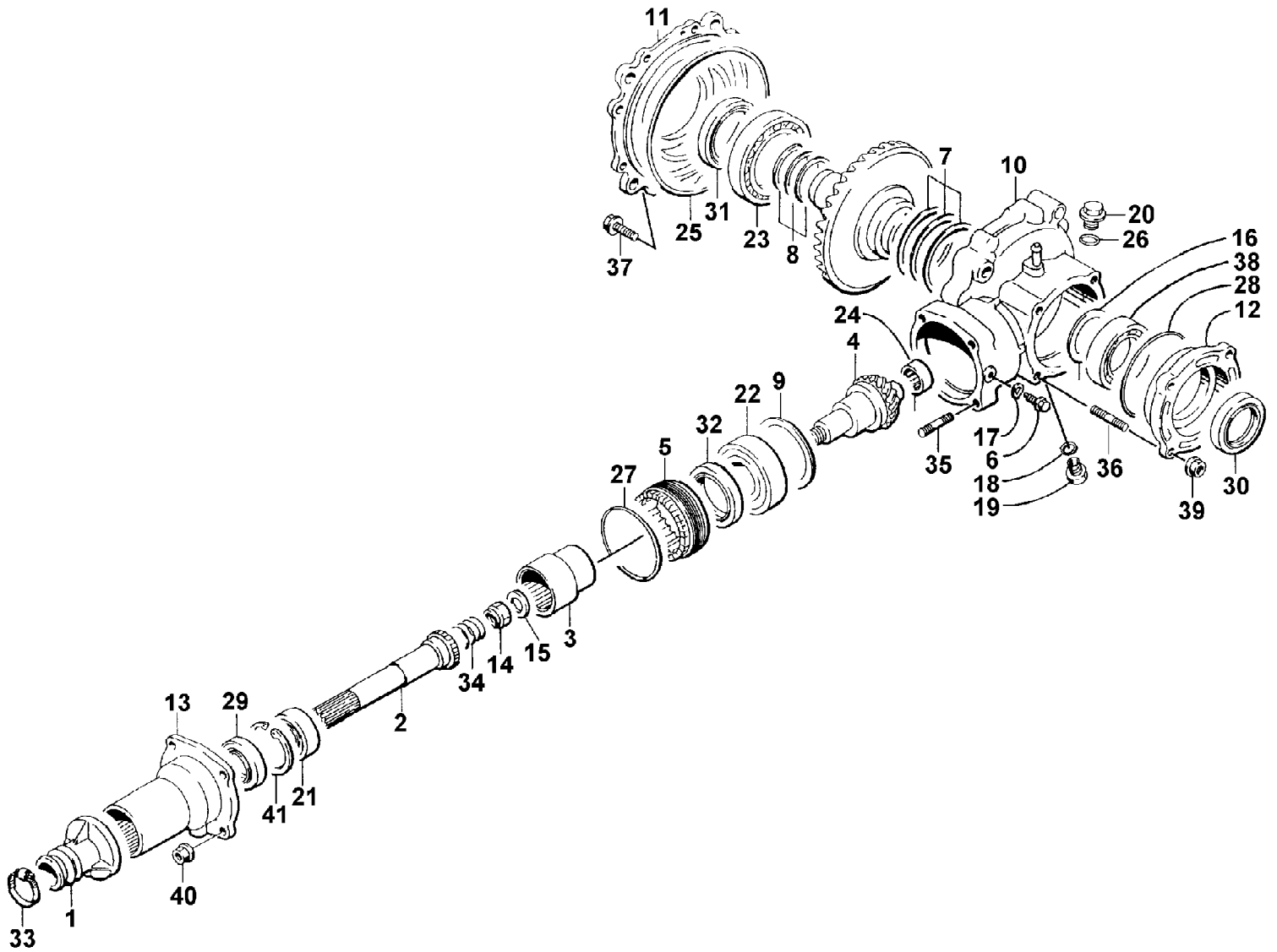
Ref #	Part Number	Qty	S/P/F	Description
1	3402-153	1		Pump, Engine Oil
2	3402-026	1		Gear, Driven
3	3423-046	1		Pin
4	3423-115	1		Washer
5	3423-184	1	S	Circlip
6	3423-113	3	S/P	Screw, Cap
7	3402-156	1		Strainer, Engine Oil
8	0693-389	2	S	Screw, Cap
9	3402-157	1		Cap, Oil Strainer
10	3423-077	1		O-Ring
11	3004-756	4	S	Screw, Cap
12	0436-146	1	S	Filter, Engine Oil (500)
13	3402-036	1	S	Plug, Drain
14	3402-012	1		Gasket
15	3402-359	1		Valve, Assembly - Oil Relief (500)
16	3402-158	1	S	Union, Oil Filter



1998 ATV 500 4X4 (98A4G-1998)
 REAR AXLE ASSEMBLY

Page 58 of 94

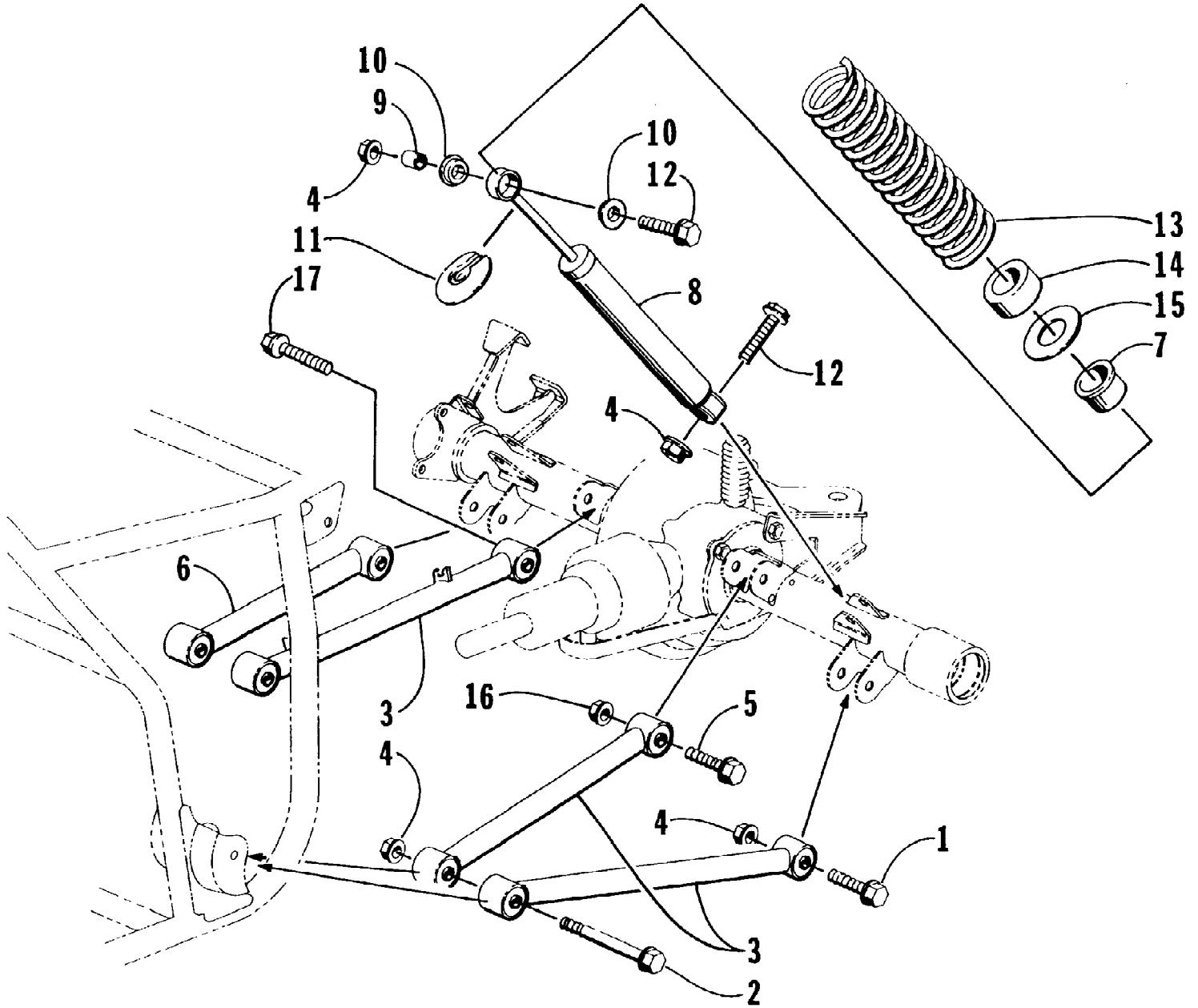
Ref #	Part Number	Qty	S/P/F	Description
1	0502-050	1	S	Housing, Axle - Rear Right
2	8409-030	3		Screw, Cap
3	8409-025	1		Screw, Cap
4	0402-191	2		Axle - Rear
5	0402-139	1		Gasket, Rear Axle
6	0402-147	1	S	Bladder, Case
7	0123-811	1		Tie, Cable
8	8476-616	2		Screw, Cap
9	0506-135	1		Hitch, Trailer
10	8408-840	2		Screw, Cap
11	0402-138	1		Gasket, Rear Axle
12	0423-010	1		Washer, Shoulder
13	0502-005	1	S	Housing, Axle - Rear Left
14	0402-068	2		Seal
15	0423-033	2		C-Clip
16	0402-003	2		Bearing, Wheel Hub - Rear
17	8424-802	2		Nut
18	0423-031	2		Nut, Speed
19	0406-097	1		Panel, Gear Case - Rear
20	8408-816	1		Screw, Cap
21	8050-252	1		Washer



1998 ATV 500 4X4 (98A4G-1998)
REAR BEVEL GEAR ASSEMBLY

Page 60 of 94

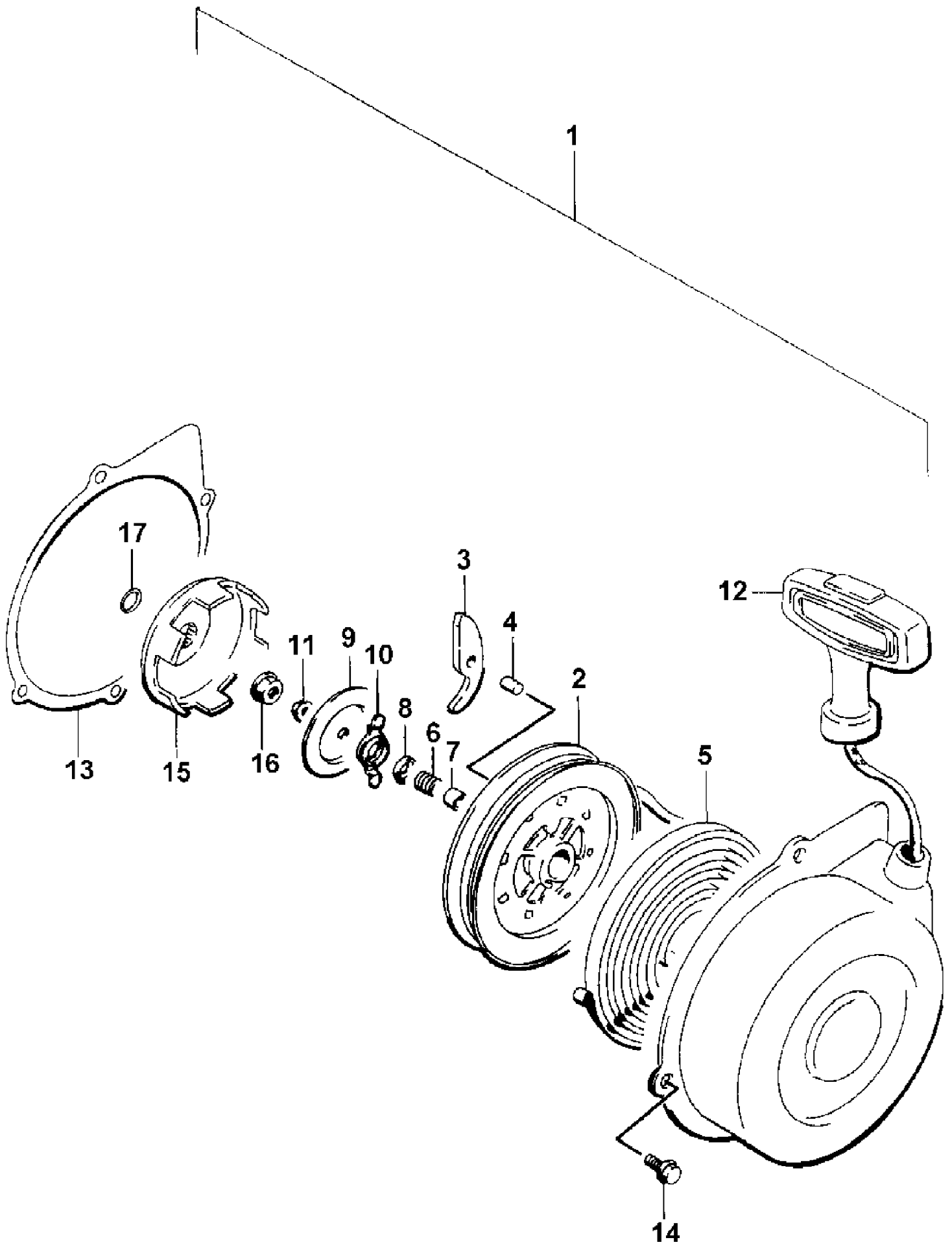
Ref #	Part Number	Qty	S/P/F	Description
	3402-005	1		Complete Assembly
1	3435-051	1		Boot, Final Drive
2	3435-081	1	/P	Shaft, Rear Final
3	3435-082	1	/P	Coupling, Rear
4	3435-083	1	/P	Gear Set
5	3435-015	1		Stopper, Rear Final
6	3435-016	1		Pin, Bearing Stopper
7	3435-019	1	/P	Shim Set
8	3435-020	1		Shim Set
9	3435-065	1	/P	Shim Set
10	3435-084	1		Case
11	3435-026	1	S	Case - Right
12	3435-027	1		Case - Left
13	3435-028	1		Housing
14	3423-025	1		Nut, Rear Drive Pinion
15	3423-029	1		Washer, Drive Nut
16	3423-171	1		Washer - Left
17	3003-290	1	/P	Gasket, Bearing Stopper Pin
18	3402-012	1		Gasket, Oil Drain Plug
19	3402-036	1	S	Plug, Oil Drain
20	3402-039	1		Plug, Gear Oil Filler
21	3402-052	1		Bearing
22	3402-056	1	S	Bearing
23	3402-059	1		Bearing - Right
24	3402-061	1		Bearing, Final Drive Pilot
25	3423-173	1	/P	O-Ring, Bearing Case - Right
26	3423-057	1	/P	O-Ring, Gear Oil Filler
27	3423-065	1		O-Ring, Final Bearing Stopper
28	3003-335	1	/P	O-Ring, Bearing Case - Left
29	3435-088	1	/P	Seal, Final Driven
30	3402-073	1	/P	Seal, Oil
31	3402-074	1		Seal, Oil
32	3402-075	1		Seal, Oil
33	3004-786	1	/P	Clamp - Right
34	3402-092	1		Spring
35	3004-279	4	S/P	Stud, Bolt
36	3004-421	2	S/P	Stud, Bolt - Left
37	3423-175	9	S	Bolt, Bearing - Right
38	3402-187	1	/P	Bearing - Left
39	3004-326	2	S/P	Nut
40	3423-167	4		Nut, Rear Final Housing
41	3423-194	1	S	Circlip Set



1998 ATV 500 4X4 (98A4G-1998)
 REAR SUSPENSION ASSEMBLY

Page 62 of 94

Ref #	Part Number	Qty	S/P/F	Description
1	8409-060	2		Screw, Cap
2	8409-000	2		Screw, Cap
3	0504-001	3		Arm, Swing
4	8428-002	8		Nut, Lock
5	8409-055	1		Screw, Cap
6	0504-005	1		Arm, Swing
7	0403-027	2		Retainer, Spring - Lower
8	0404-001	2		Shock Absorber - Rear (inc. two No. 9 and four No. 10)
9	0403-028	4		Sleeve, Shock
10	0604-310	8		Bushing, Shock Absorber
11	0603-033	2	S	Retainer, Spring
12	8409-040	4		Screw, Cap
13	0404-006	2	/P	Spring, Shock Absorber
14	0403-025	2	/P	Collar, Spring
15	0403-013	2		Washer, Spring Adjustment
16	8422-002	1		Nut, Lock
17	8409-065	1		Screw, Cap

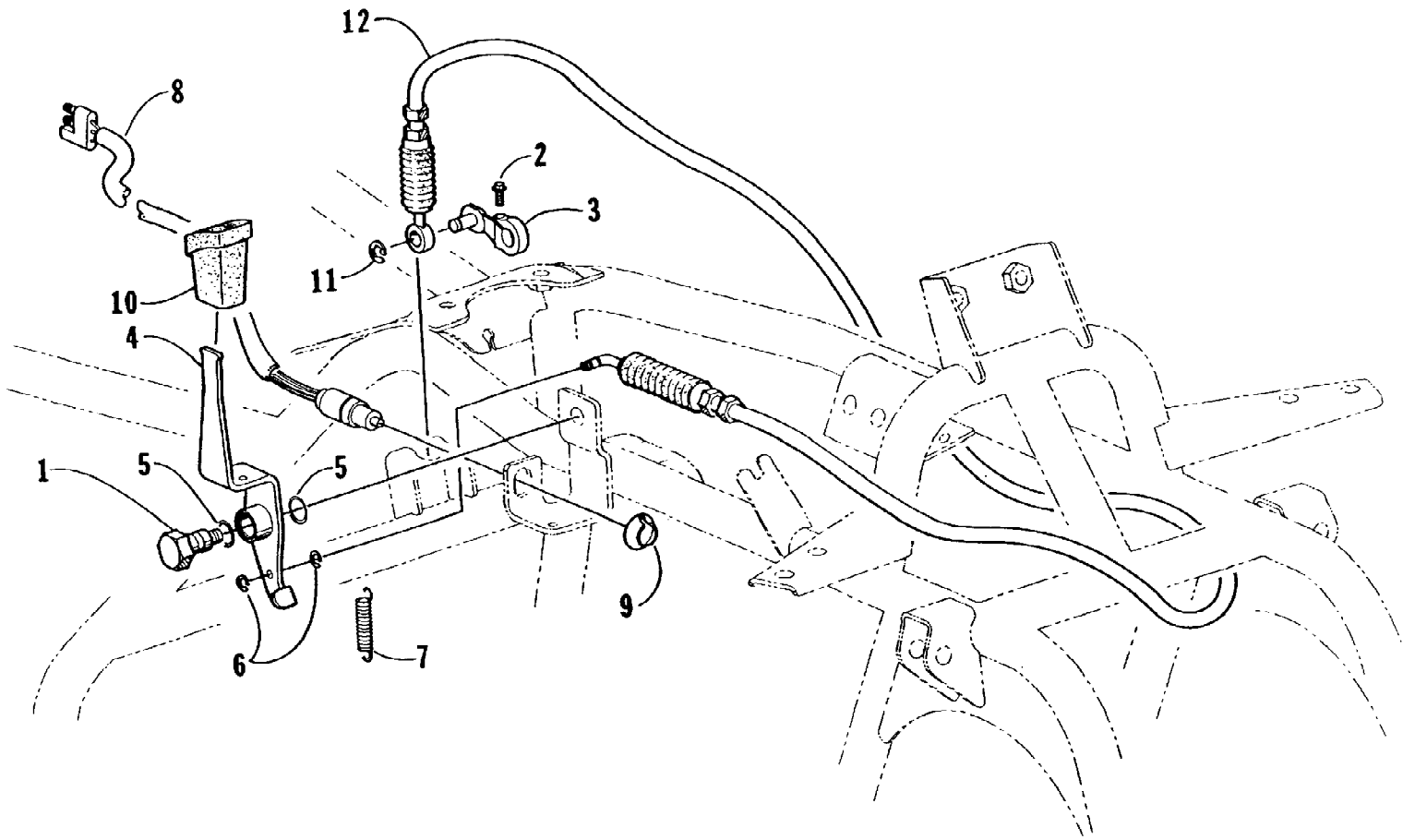


1998 ATV 500 4X4 (98A4G-1998)
 RECOIL STARTER ASSEMBLY

Page 64 of 94

Ref #	Part Number	Qty	S/P/F	Description
1	3445-003	1		Starter, Recoil - Assembly (inc. 2-12)
2	3445-004	1		Reel
3	3445-016	1		Ratchet Assembly (inc. 4 and 6-10)
4	0	1	F	Pin, Ratchet
5	3445-007	1		Spring, Spiral
6	0	1	F	Spring, Friction
7	0	1	F	Shaft
8	0	1	F	Cover, Spring
9	0	1	F	Plate, Friction
10	0	1	F	Guide, Ratchet
11	3004-488	1	S/P	Nut
12	3445-011	1		Rope Assembly
13	3445-013	1	/P	Gasket
14	3423-112	4	S	Screw, Cap
15	3445-026	1	S	Cup, Starter (500)
16	3004-491	1	S/P	Nut
17	3423-053	1	/P	O-Ring

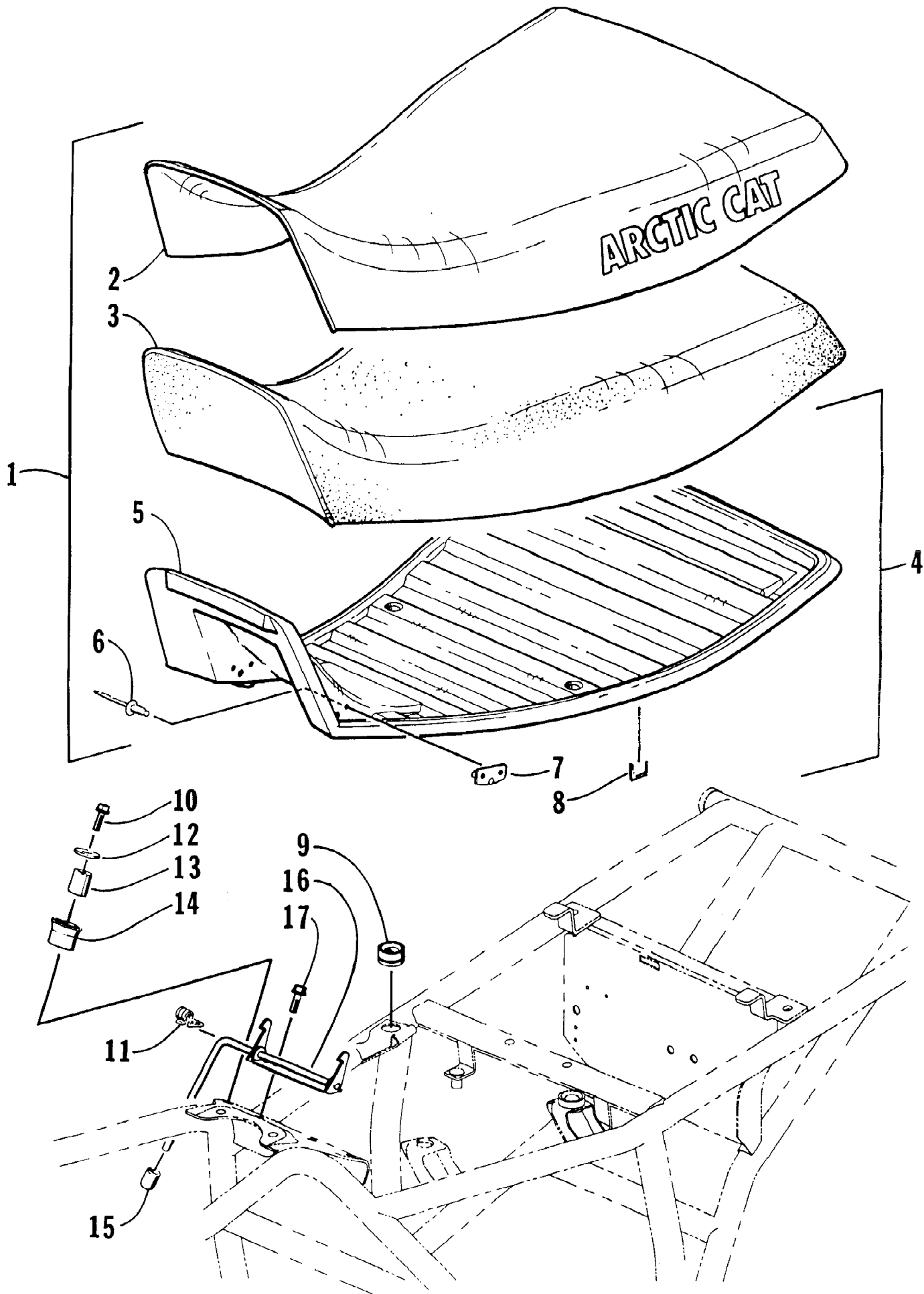
1998 ATV 500 4X4 (98A4G-1998)
REVERSE SHIFT LEVER ASSEMBLY



1998 ATV 500 4X4 (98A4G-1998)
REVERSE SHIFT LEVER ASSEMBLY

Page 66 of 94

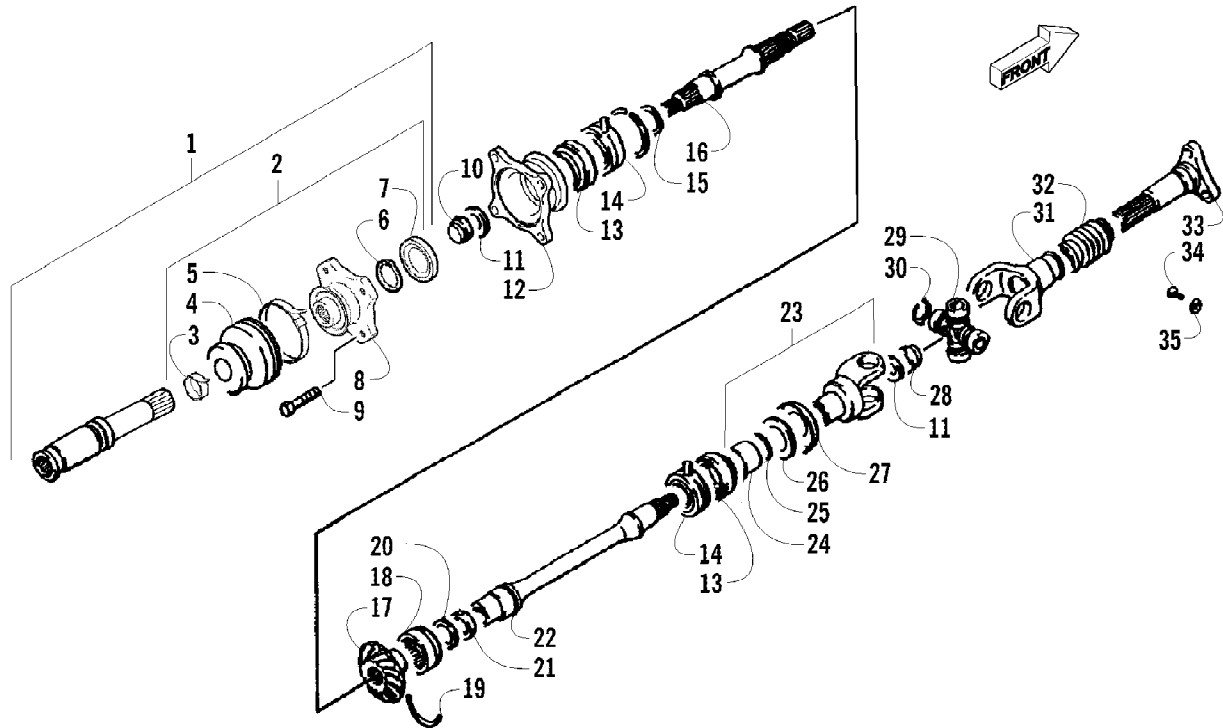
Ref #	Part Number	Qty	S/P/F	Description
1	0402-239	1		Axle, Reverse Shift
2	8476-616	1		Screw, Cap
3	3446-055	1		Arm, Reverse Shift
4	0502-059	1	S	Lever, Reverse
5	0423-096	2		O-Ring
6	0423-063	2		E-Ring
7	0402-136	1	S	Spring, Reverse Lever
8	0409-008	1		Reverse Switch
9	0402-168	1	/P	Retainer, Switch
10	0402-062	1		Knob, Reverse Shift Lever
11	3423-168	1	S	E-Ring
12	0487-003	1		Cable, Shift



1998 ATV 500 4X4 (98A4G-1998)
SEAT ASSEMBLY

Page 68 of 94

Ref #	Part Number	Qty	S/P/F	Description
1	5990-069	1	S	Seat Assembly (inc. 2-8)
2	0506-054	1		Cover, Seat
3	0506-056	1		Foam, Seat
4	0506-223	1	/P	Base, Seat Assembly (inc. 5-7)
5	0	1	F	Base, Seat
6	8061-628	4		Rivet
7	0506-147	2	S	Pin, Seat Base - Front
8	0624-100	0		Staple
9	0406-309	2		Grommet, Seat - Center
10	8476-620	2		Screw, Cap
11	0406-235	1		Spring, Seat Latch
12	8050-217	2	/P	Washer
13	0406-199	2		Collar, Front Seat Base
14	0406-171	2		Bumper, Seat Base - Front
15	0623-404	1		Cap, Protector
16	0406-103	1	S	Latch, Seat - Assembly
17	8477-616	2		Screw, Machine

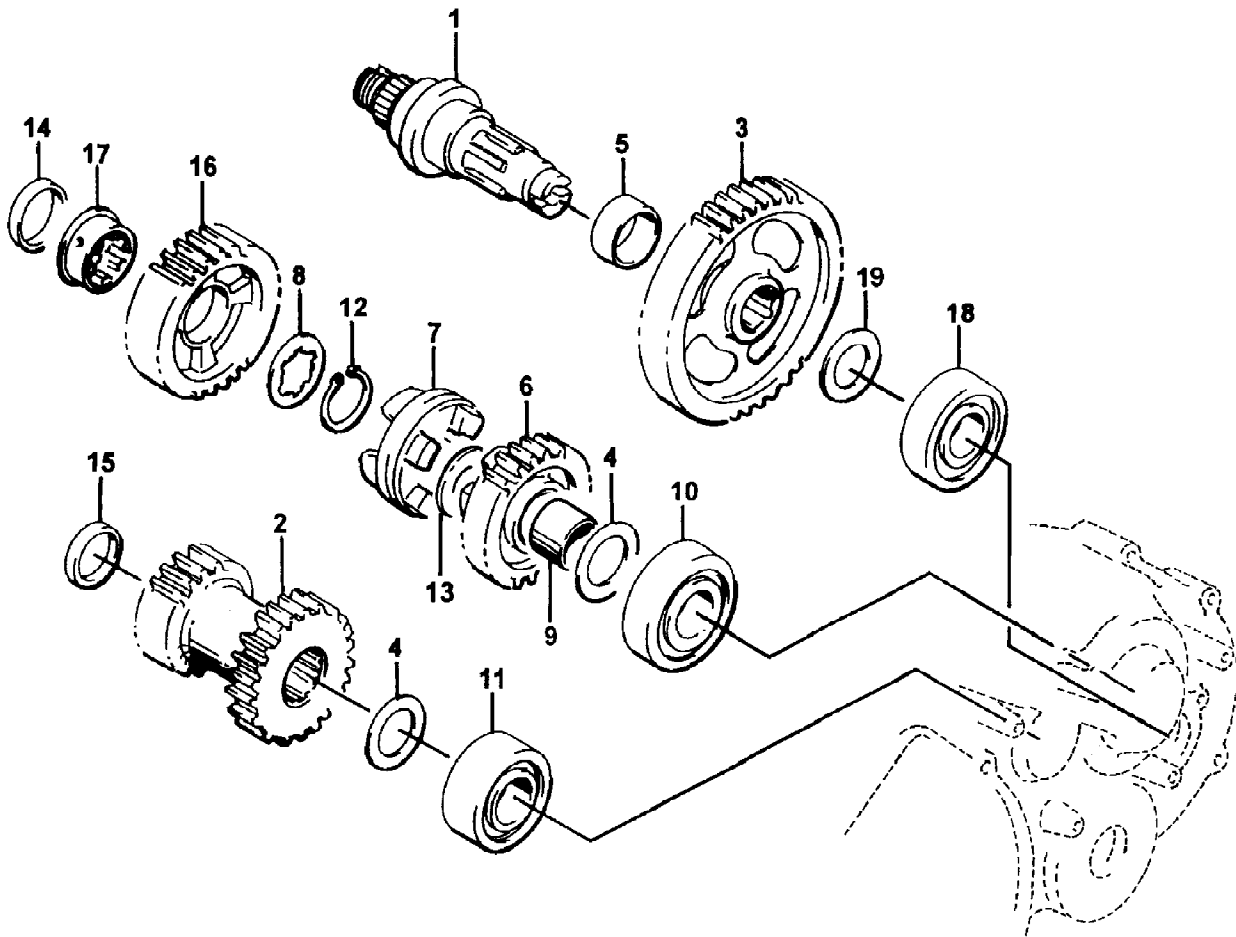


1998 ATV 500 4X4 (98A4G-1998)
SECONDARY DRIVE ASSEMBLY

Page 70 of 94

Ref #	Part Number	Qty	S/P/F	Description
1	3435-010	1		Joint Assembly, Rear Output (inc. 2-8)
2	3435-066	1		Boot, Joint - Set (inc. 3-7)
3	3423-212	1		Band
4	3435-067	1		Boot
5	3423-211	1		Band
6	3423-210	1		Ring, Snap
7	3423-356	1		Seal, Plate
8	0	1	F	Flange, Output
9	8408-820	4	/P	Screw, Cap
10	3423-025	1		Nut
11	3423-028	2		Washer
12	3435-003	1	S	Flange, Output Joint
13	3402-072	2		Seal, Oil
14	3402-067	2	S	Bearing w/ Locating Ring and Pin
15	3402-017	1		Shim - 0.60 mm
15	3402-018	1		Shim - 0.65 mm
15	3402-019	1		Shim - 0.70 mm
15	3402-020	1		Shim - 0.75 mm
15	3402-021	1	S	Shim - 0.80 mm
15	3402-022	1		Shim - 0.85 mm
15	3402-023	1		Shim - 0.90 mm
15	3402-024	1		Shim - 0.95 mm
15	3402-025	1	S	Shim - 1.00 mm
15	3402-028	1		Shim - 1.05 mm
15	3402-029	1		Shim - 1.10 mm
15	3402-030	1		Shim - 1.15 mm
15	3402-031	1		Shim - 1.20 mm
16	3446-240	1	S	Shaft - Rear
17	3446-222	1	/P	Gear
18	3402-062	1	S	Bearing w/Groove
19	3423-072	1		Ring, Bearing
20	3423-137	1		Washer
21	3423-136	1		Nut
22	3446-239	1		Shaft - Front
23	3435-001	1	S	Yoke, Drive Output (inc. 24-27)
24	3435-029	1		Collar, Yoke
25	3423-060	1		O-Ring
26	3435-030	1		Plate, Yoke Collar
27	3423-035	1		Plate, Yoke Collar
28	3423-025	1		Nut
29	3435-011	1		Joint Set, Universal (inc. 30)
30	3423-067	4		Circlip
31	3435-002	1		Yoke, Joint
32	3435-005	1	/P	Boot, Propeller Shaft
33	3435-004	1		Shaft, Propeller
34	3004-552	1	S	Screw, Cap
35	3423-135	2		Retainer

1998 ATV 500 4X4 (98A4G-1998)
SECONDARY TRANSMISSION ASSEMBLY



1998 ATV 500 4X4 (98A4G-1998)
SECONDARY TRANSMISSION ASSEMBLY

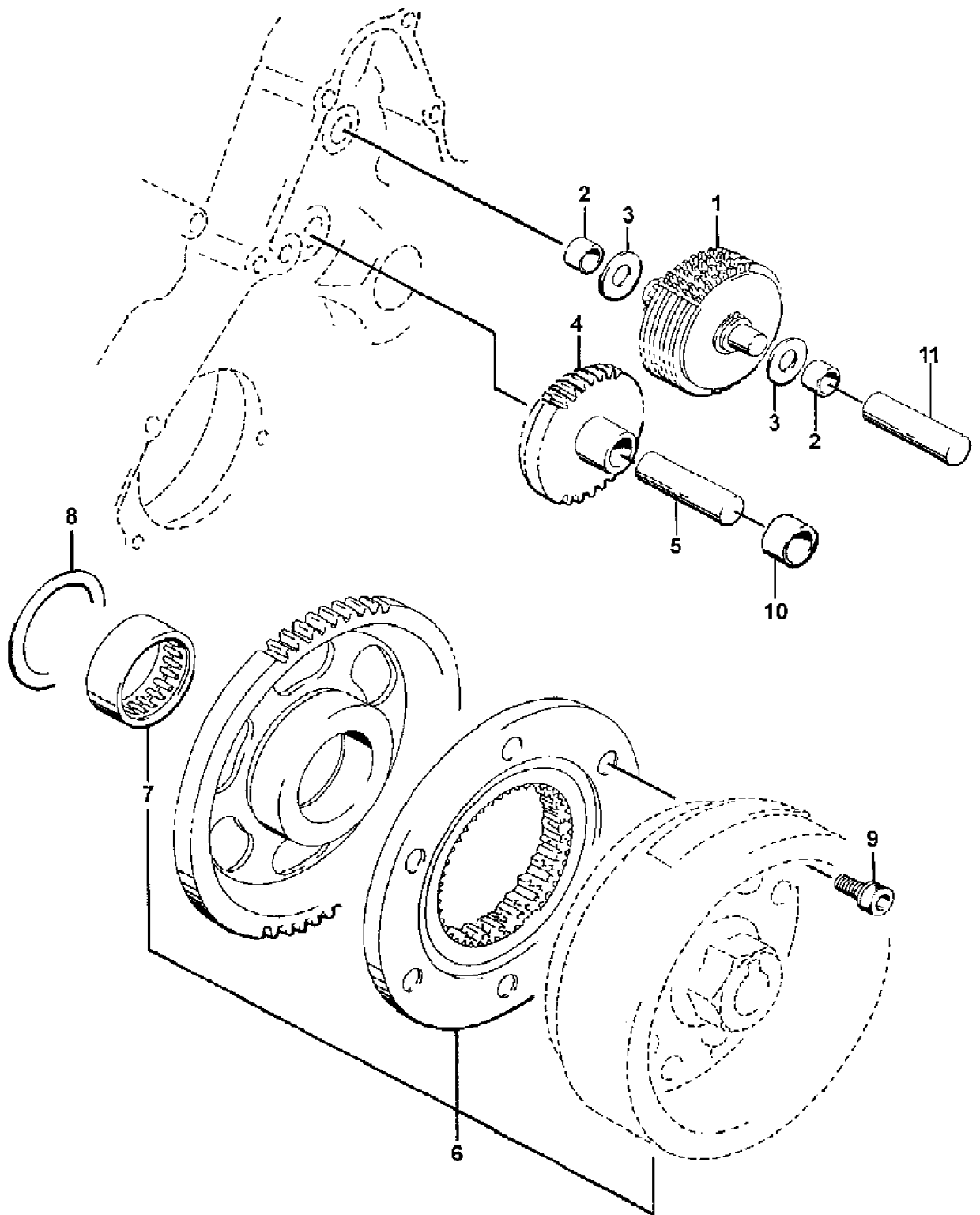
Page 72 of 94

Ref #	Part Number	Qty	S/P/F	Description
1	3446-224	1	S	Shaft, Output
2	3446-066	1		Gear, Idle
3	3446-072	1		Gear, Driven
4	3402-381	2	/P	Washer (500)
5	3402-015	1		Spacer, Drive
6	3446-248	2		Gear No. 2 (500)
7	3446-249	1		Dog, Select Sliding (500)
8	3423-036	1		Washer
9	3446-103	1		Bushing
10	3402-046	1		Bearing, Driveshaft - Left
11	3402-047	1	S	Bearing, Center Shaft - Left
12	3423-066	1	/P	Circlip No. 1
13	3402-195	1		Washer, Gear No. 2 (500)
14	3446-246	1		Spacer (500)
15	3423-148	1		Spacer, Idle Gear
16	3446-245	1		Gear No. 1 (500)
17	3446-247	1		Bushing (500)
18	3402-045	1	/P	Bearing Set - Left
19	3423-150	1	/P	Washer

1998 ATV 500 4X4 (98A4G-1998)
SPEEDOMETER DRIVE ASSEMBLY

Page 74 of 94

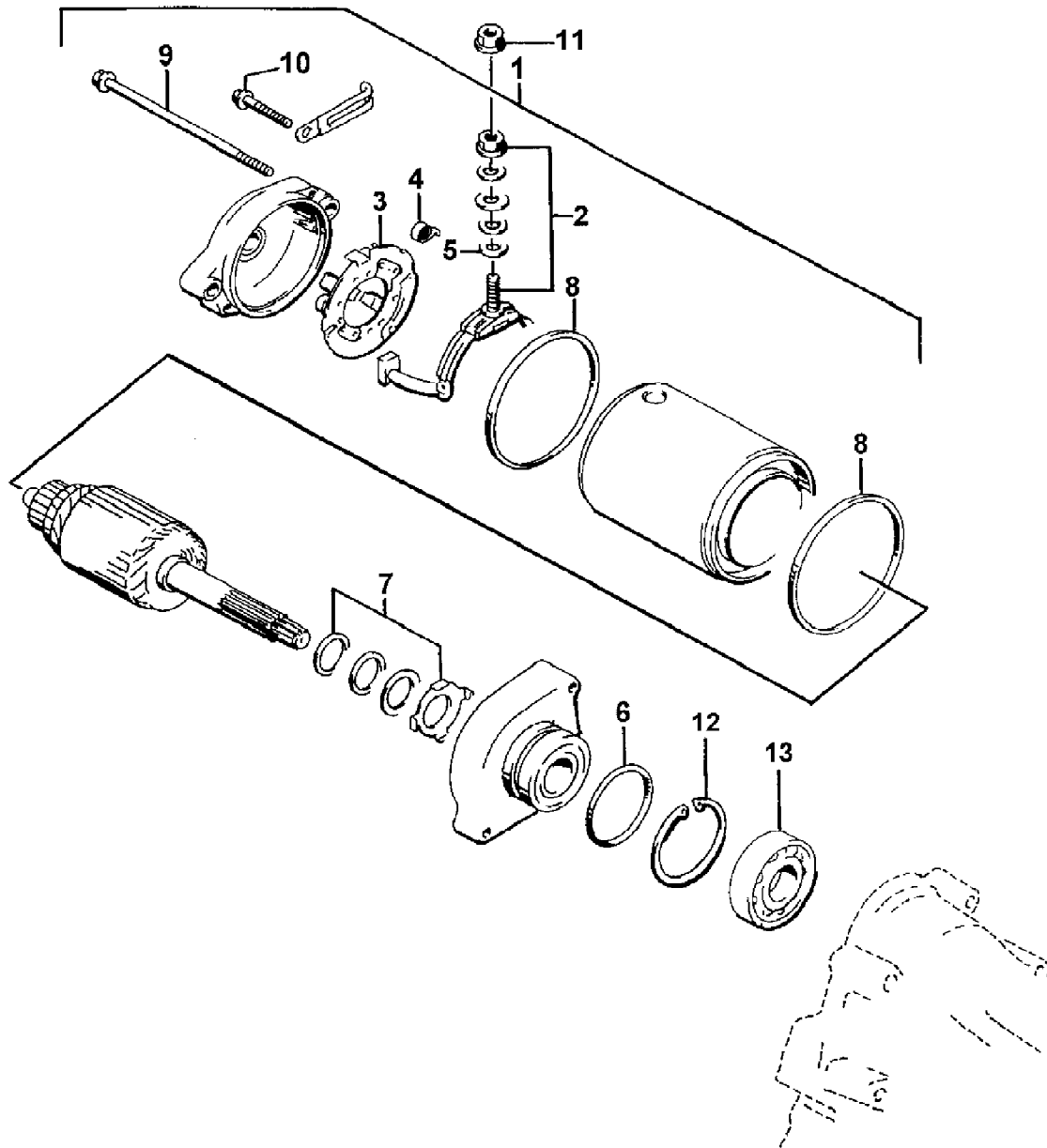
Ref #	Part Number	Qty	S/P/F	Description
1	3446-031	2	/P	Retainer, Bearing
2	3402-009	1	/P	Washer, Driven
3	3004-552	2	S	Screw, Retainer
4	3402-077	1		Seal, Driven Gear
5	3446-221	1	S	Gear
6	3446-035	1		Shim Set
7	3423-023	1		Nut
8	3423-032	1		Washer
9	3423-146	1		Washer - Right
10	3446-114	1	/P	Spacer, Driven Gear
11	3423-143	1	S	Bolt, Gear
12	3423-145	1		Washer
13	3423-056	1		O-Ring
14	3423-144	1		Washer
15	3423-346	2	S	Bolt, Gear
16	3402-180	1	S	Bearing Set - Right
17	3446-057	1		Housing, Odometer Gear
18	3446-058	1		Sleeve
19	3446-244	1	/P	Gasket
20	3446-060	1		Gear, Drive
21	3446-061	1		Gear, Driven



1998 ATV 500 4X4 (98A4G-1998)
STARTER CLUTCH ASSEMBLY

Page 76 of 94

Ref #	Part Number	Qty	S/P/F	Description
1	3402-123	1		Limiter, Assembly - Idle Gear (500)
2	3402-125	2		Bushing
3	3423-103	2	/P	Washer
4	3402-349	1		Gear, Starter Idle (500)
5	3423-042	1		Pin
6	3402-380	1	/P	Clutch, Starter - Set (inc. 7)
7	3402-063	1		Bearing
8	3423-104	1		Washer
9	3423-102	6	S	Screw, Cap
10	3423-352	1		Spacer (500)

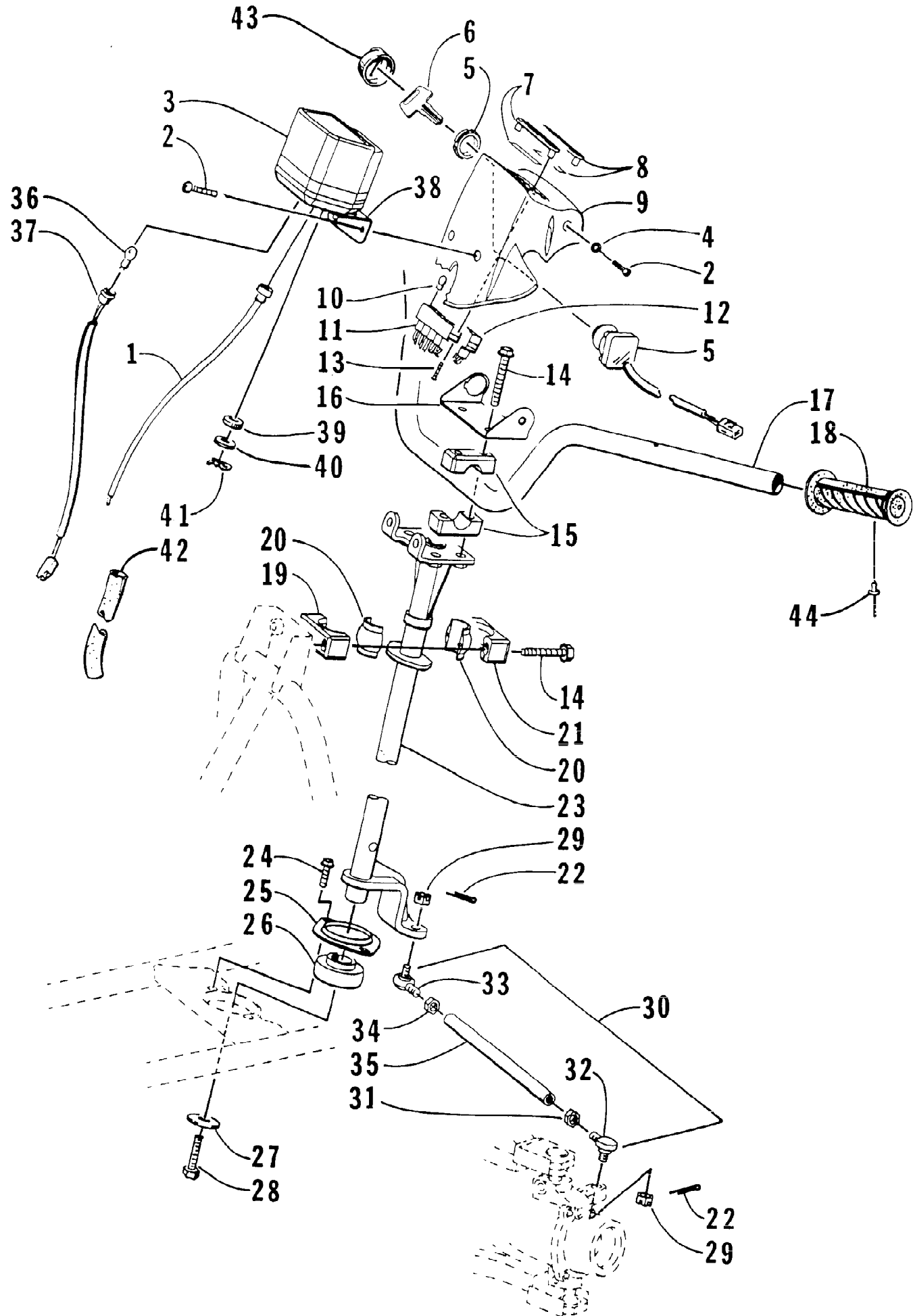


1998 ATV 500 4X4 (98A4G-1998)
STARTER MOTOR ASSEMBLY

Page 78 of 94

Ref #	Part Number	Qty	S/P/F	Description
1	3545-014	1	/P	Motor, Starter Assembly (inc. 2-9) (500)
2	3008-094	1	/P	Terminal Set, Brush
3	3008-095	1	/P	Holder Set, Brush
4	3008-096	4		Spring, Brush
5	3008-164	1		O-Ring
6	3423-084	1		O-Ring
7	3436-001	1		Washer Set
8	3008-553	2	/P	O-Ring
9	3423-085	2		Screw, Cap
10	3423-162	2	S	Screw, Cap
11	3423-195	1	/P	Nut
12	3423-201	1	/P	Circlip
13	3402-043	1	/P	Bearing, Pinion Shaft

1998 ATV 500 4X4 (98A4G-1998)
STEERING ASSEMBLY

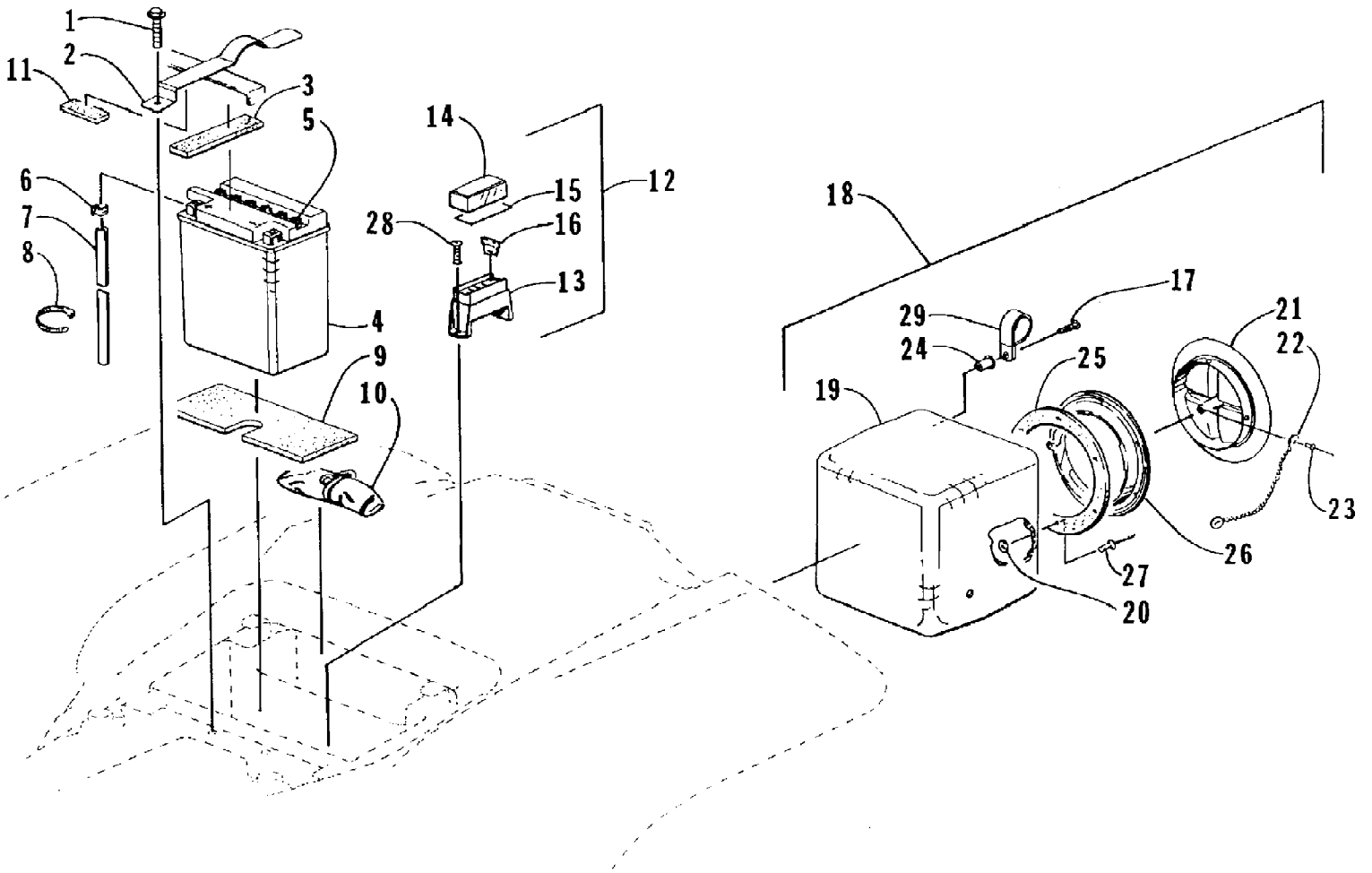


1998 ATV 500 4X4 (98A4G-1998)
STEERING ASSEMBLY

Page 80 of 94

Ref #	Part Number	Qty	S/P/F	Description
1	0487-005	1		Cable, Speedometer
2	8477-616	3		Screw, Machine
3	0420-003	1	S	Speedometer (inc. 36-41)
4	0423-052	1		Collar, Body
5	3430-013	1	S	Switch, Ignition - Assembly (inc. 6)
6	3409-007	1	/P	Key, Ignition - Blank (C Series)
6	3409-011	1		Key, Ignition - Blank (D Series)
7	0420-011	1		Bezel/Lens, Warning - Assembly
8	0420-012	1		Bezel/Lens, Shifting - Assembly
9	0405-019	1		Instrument Pod
10	0420-013	9		Bulb, Light Bar
11	0420-001	1		Light, Warning - Assembly
12	0420-004	1		Light, Shift Indicator - Assembly
13	0123-950	4		Screw, Self-Tapping
14	8408-860	6		Screw, Cap
15	0405-035	4		Cap, Steering Adjuster
16	0506-139	1	S	Bracket, Key Switch
17	0505-028	1	S	Tube, Handlebar
18	0405-039	2	/P	Grip, Handlebar
19	0605-171	1		Housing, Bearing - Lower
20	0405-020	2		Bearing, Steering Post
21	0705-064	1	/P	Housing, Bearing - Upper
22	0623-175	4		Pin, Cotter
23	0505-012	1		Post, Steering
24	8408-816	2		Screw, Cap
25	0602-233	1		Flange, Bearing
26	0107-223	1	S	Bearing - w/Inverted Oil Seal
27	0423-073	1		Washer
28	8409-020	1	/P	Screw, Cap
29	8422-002	4		Nut, Hex Castle
30	0505-021	2	S	Tie Rod, Assembly (inc. 31-35)
31	8420-002	2	/P	Nut
32	0405-040	2	S	Ball Joint, Tie Rod - Right
33	0405-041	2	S	Ball Joint, Tie Rod - Left
34	0423-013	2		Nut - Left
35	0405-032	2		Tie Rod
36	0620-149	1	/P	Bulb, Speedometer
37	0420-014	1		Harness, Speedometer
38	0420-018	1		Bracket, Speedometer
39	0420-016	2		Mount, Rubber
40	0420-017	2		Washer
41	0420-015	2		Pin, Retainer
42	0423-067	1		Tube, Loom
43	0409-013	1		Cover, Key
44	8060-428	2		Rivet

1998 ATV 500 4X4 (98A4G-1998)
STORAGE BOX AND BATTERY ASSEMBLY



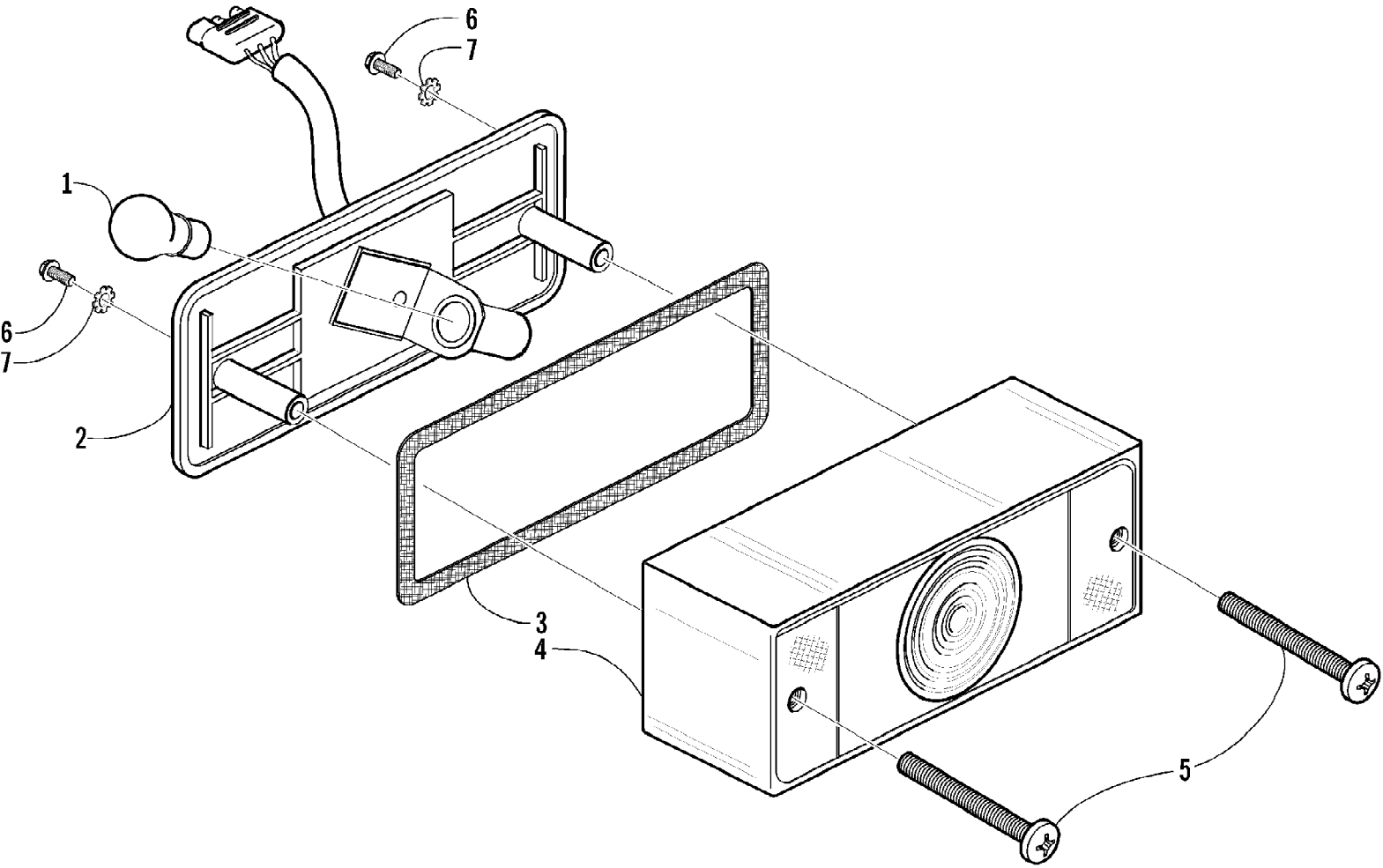
1998 ATV 500 4X4 (98A4G-1998)

Page 82 of 94

STORAGE BOX AND BATTERY ASSEMBLY

Ref #	Part Number	Qty	S/P/F	Description
1	8476-616	1		Screw, Cap
2	0506-178	1		Strap, Battery - w/Pads (inc. 3 and 11)
3	0406-289	2		Pad, Battery - Upper Rear
4	0445-005	1	S	Battery Assembly (inc. 5-7)
5	0645-045	6		Cap, Battery
6	0645-152	1		Clamp, Hose
7	0645-263	1	/P	Hose, Battery Vent
8	0123-903	0		Tie, Cable
9	0406-227	1		Pad, Battery - Lower
10	0444-001	1	S	Kit, Tool
11	0406-288	1		Pad, Battery - Upper Front
12	0530-001	1		Fuse Box - Assembly (inc. 13-16)
13	0	1	F	Block, Fuse
14	0	1	F	Lid, Fuse Block
15	0411-042	1		Decal, Fuse Block
16	0630-057	3		Fuse, 10 AMP
16	0630-058	2		Fuse, 15 AMP
17	0123-549	4	/P	Screw, Machine
18	0506-102	1	/P	Storage Box - Assembly (inc. 19-27)
19	0406-257	1	S	Toolbox
20	8050-152	6		Washer
21	0406-208	1		Lid, Toolbox
22	0773-401	1		Chain, Storage
23	8061-223	2	/P	Rivet
24	0123-010	4	/P	Nut, Expansion
25	0673-973	1		Seal, Storage Cover
26	0406-205	1	/P	Ring, Mounting - Storage Box Lid
27	8060-630	6		Rivet
28	0623-301	2	/P	Screw, Self-Tapping
29	0423-044	4		Clamp, Tube

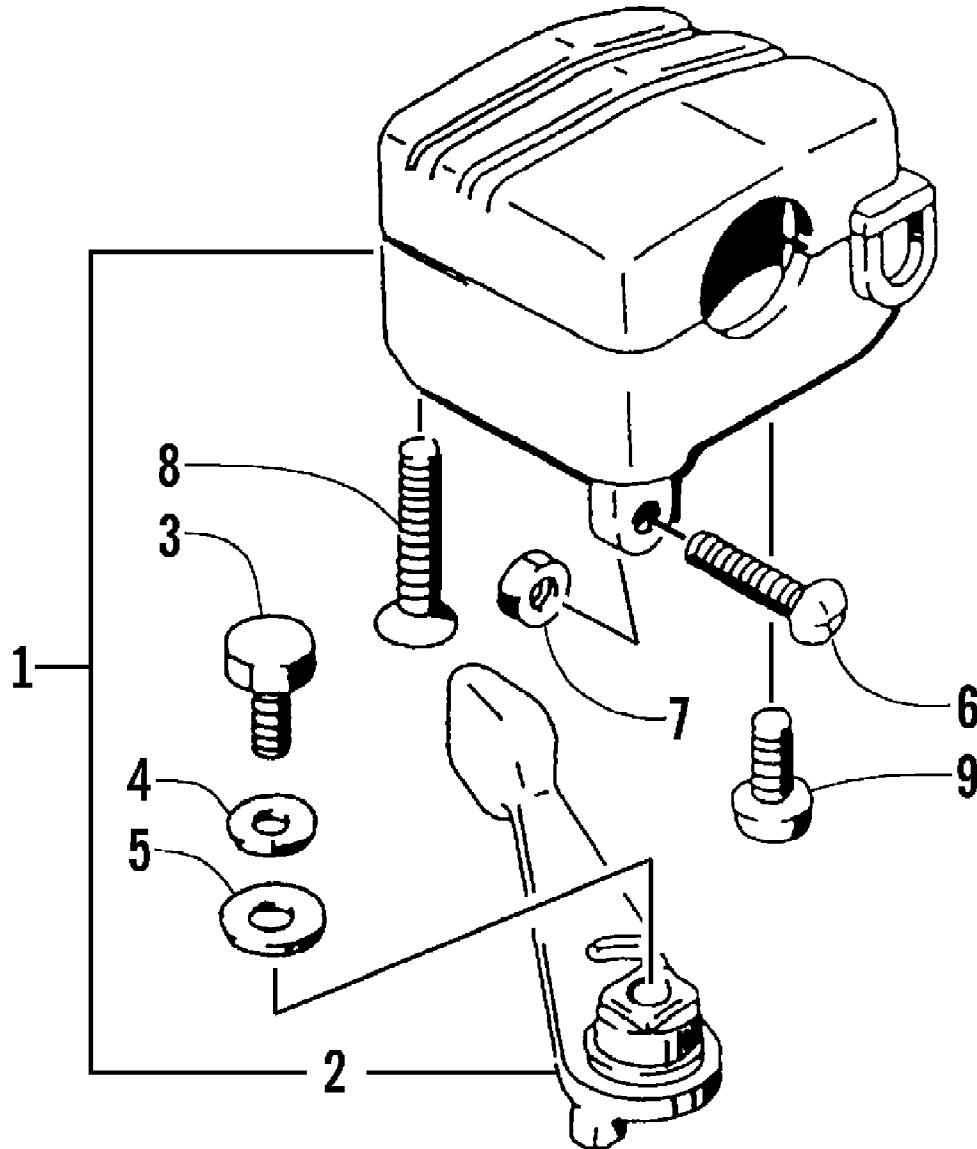
1998 ATV 500 4X4 (98A4G-1998)
TAILLIGHT ASSEMBLY



1998 ATV 500 4X4 (98A4G-1998)
TAILLIGHT ASSEMBLY

Page 84 of 94

Ref #	Part Number	Qty	S/P/F	Description
	0409-002	1		Complete Taillight Assembly
1	0109-460	1	/P	Bulb, Stop - Taillight
2	0409-011	1		Taillight w/Socket Assembly
3	0409-012	1		Gasket, Taillight
4	0409-007	1		Lens, Taillight
5	0409-010	2		Screw, Machine
6	0623-301	2	/P	Screw, Self-Tapping
7	8053-212	2	/P	Washer, Lock - External Tooth

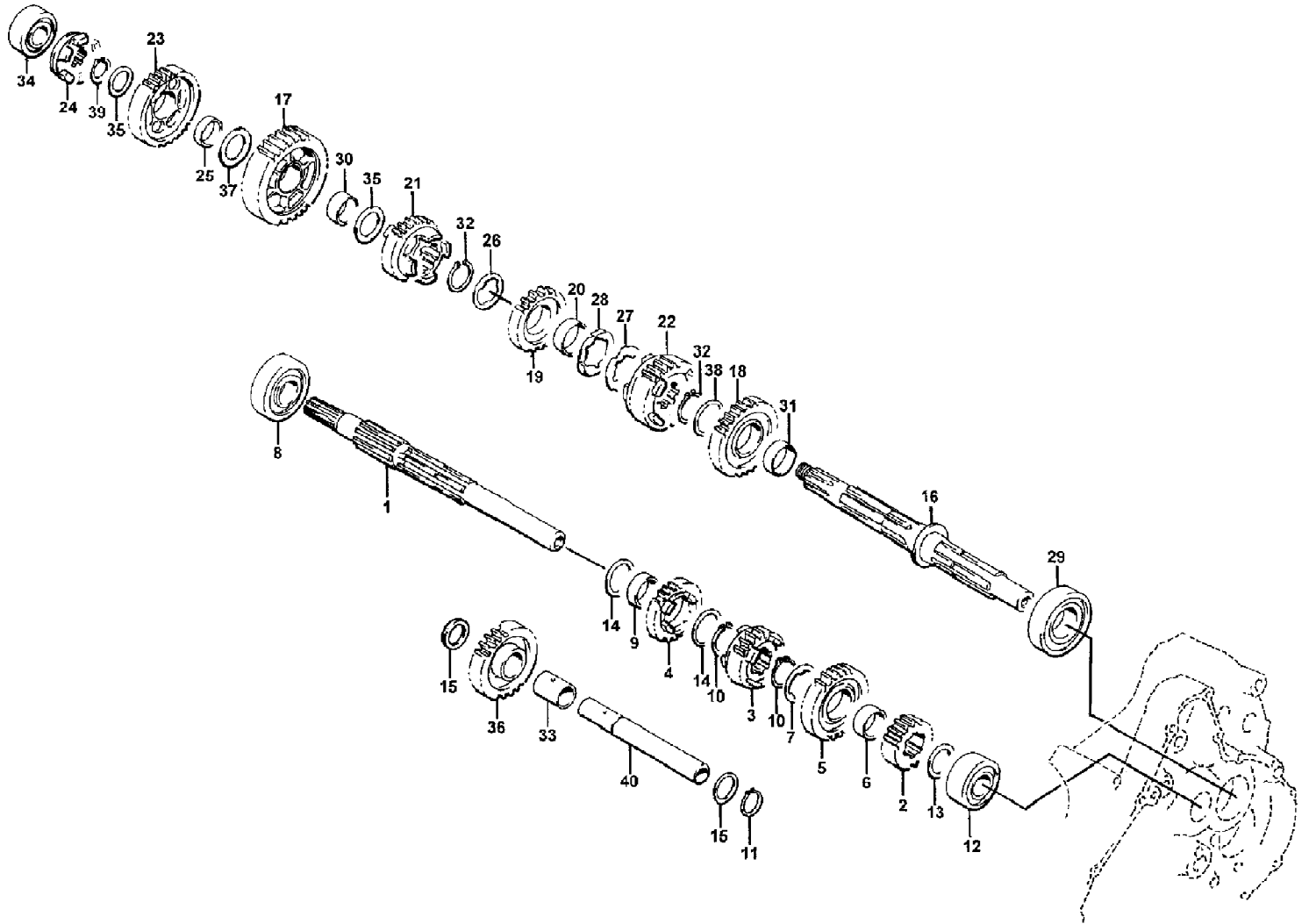


1998 ATV 500 4X4 (98A4G-1998)
THROTTLE CASE ASSEMBLY

Page 86 of 94

Ref #	Part Number	Qty	S/P/F	Description
1	3509-002	1	S	Case, Throttle - Assembly (inc. 2-9)
2	3409-001	1		Lever
3	3004-533	1	S/P	Screw, Cap
4	3004-447	1	/P	Washer, Lock
5	3003-030	1	/P	Washer
6	3423-014	1		Screw, Cap
7	3423-327	1		Nut
8	3423-199	2		Screw, Cap
9	3004-638	1	/P	Screw, Cap

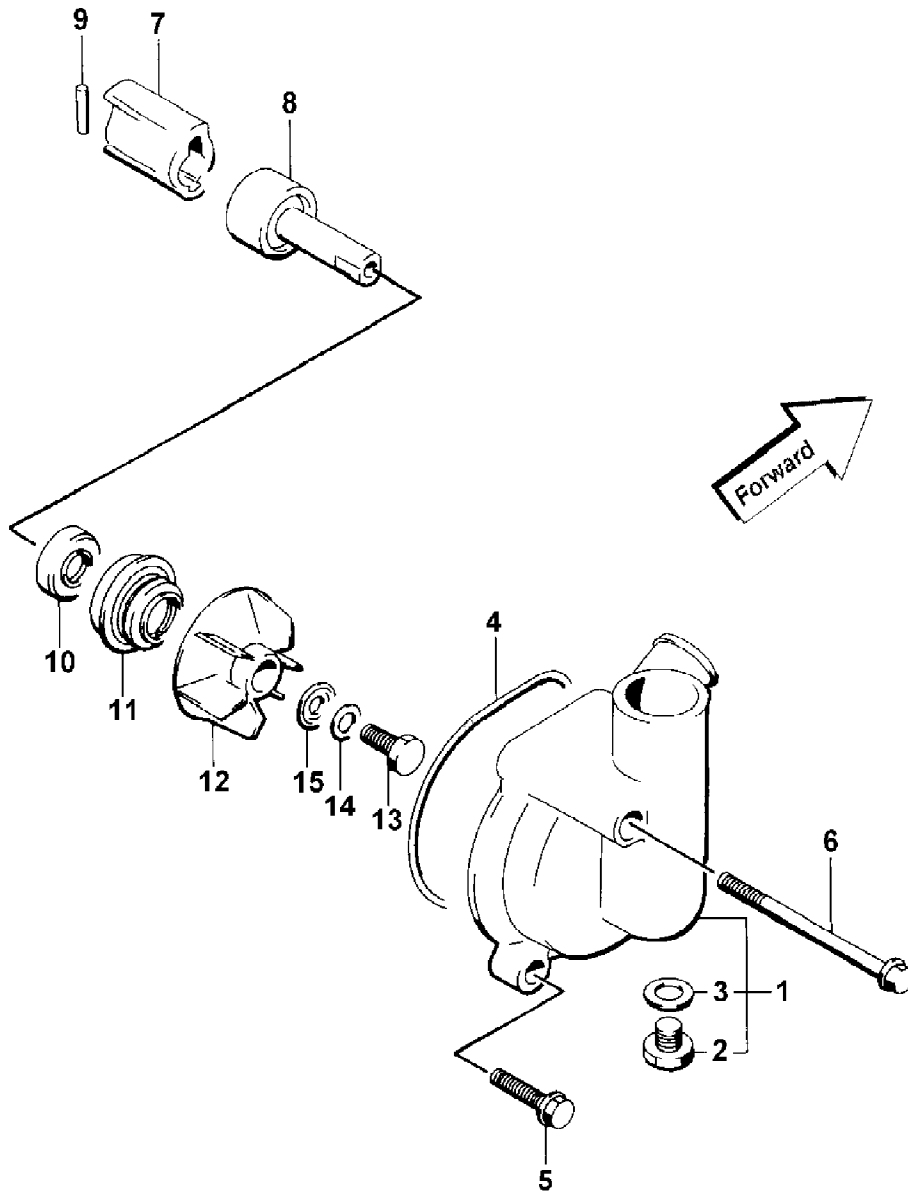
1998 ATV 500 4X4 (98A4G-1998)
TRANSMISSION ASSEMBLY



1998 ATV 500 4X4 (98A4G-1998)
TRANSMISSION ASSEMBLY

Page 88 of 94

Ref #	Part Number	Qty	S/P/F	Description
1	3446-014	1		Shaft, Counter
2	3446-016	1		Gear, 2nd Drive
3	3446-215	1		Gear, 3rd Drive
4	3446-018	1		Gear, 4th Drive
5	3446-216	1		Gear, 5th Drive
6	3446-020	1		Bushing, 5th Drive Gear
7	3423-037	1		Washer, 5th Drive Gear
8	3402-050	1		Bearing, Center Shaft - Right
9	3402-081	1		Bushing, 4th Drive Gear
10	3423-066	2	/P	Circlip, 4th Drive
11	3423-190	1	S	Circlip, Reverse Idle
12	3402-179	1		Bearing, Center Shaft
13	3402-195	1		Shim
14	3423-187	2	/P	Washer, 4th Drive
15	3423-126	2	/P	Washer, Reverse Idle
16	3446-234	1		Driveshaft (500)
17	3446-235	1	/P	Gear, 1st Driven (500)
18	3446-022	1		Gear, 2nd Driven
19	3446-218	1		Gear, 3rd Driven
20	3446-024	1		Bushing, 3rd Driven
21	3446-219	1	/P	Gear, 4th Driven
22	3446-220	1		Gear, 5th Driven
23	3446-029	1		Gear, Reverse Driven
24	3446-030	1		Dog, Reverse
25	3446-032	1		Bushing, Reverse Driven
26	3423-038	1		Washer, 3rd Driven - Right
27	3423-039	1		Washer, 3rd Driven - Left
28	3423-040	1		Washer, 3rd Driven - Left
29	3402-336	1		Bearing, Driveshaft
30	3402-080	1	S	Bushing, 1st Driven
31	3402-082	1		Bushing, 2nd Driven
32	3423-188	2	S	Circlip, 2nd Driven
33	3446-238	1		Bushing, Reverse Idle
34	3003-320	1	/P	Bearing, Driveshaft - Right
35	3402-335	2		Washer, Reverse Driven
36	3446-237	1		Gear, Reverse Idle
37	3423-131	1		Washer, 1st Driven - Right
38	3402-383	1		Washer, 2nd Driven (500)
39	3423-189	1	S	Circlip, Reverse Driven
40	3446-236	1		Shaft, Reverse Idle

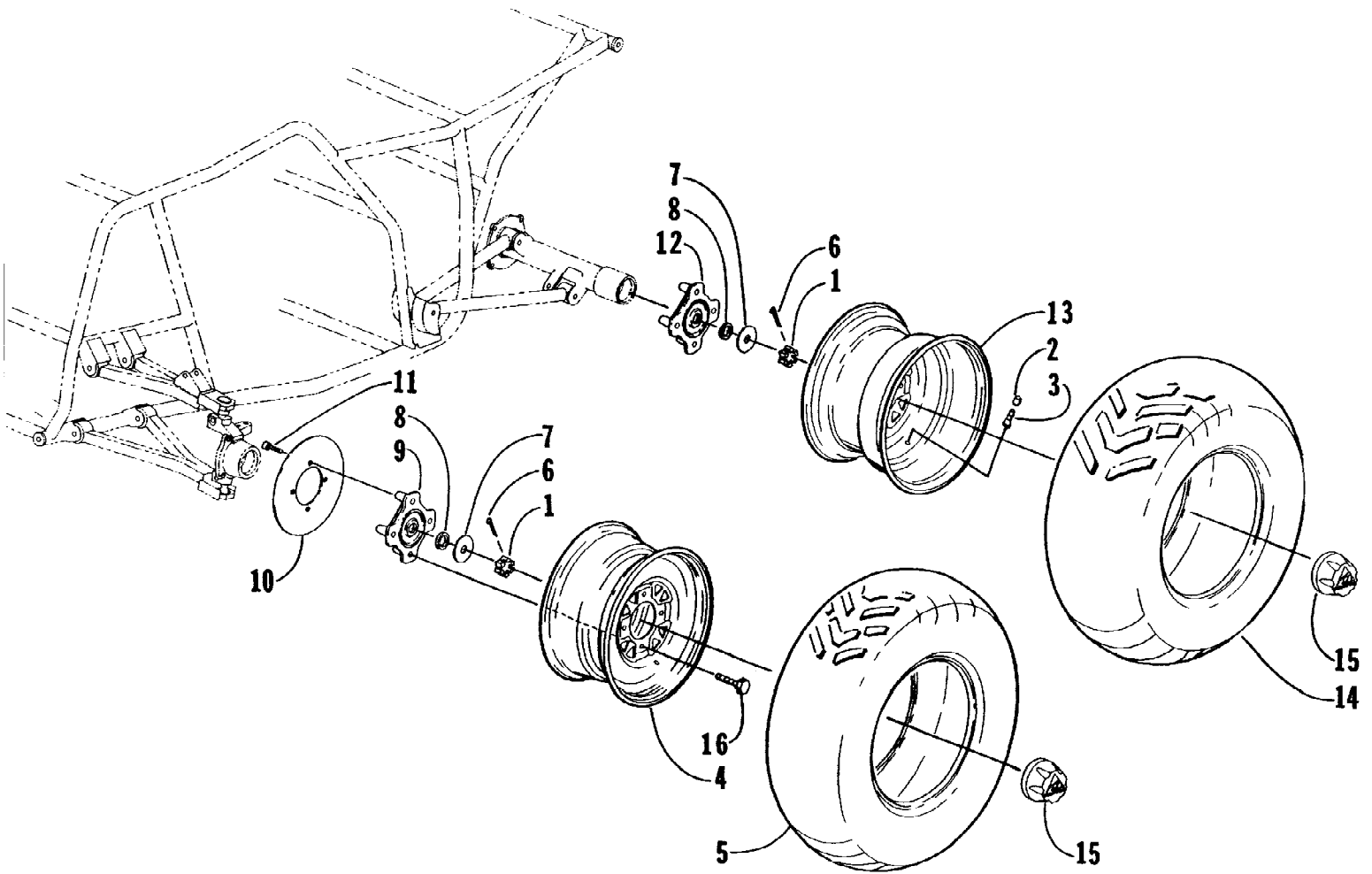


1998 ATV 500 4X4 (98A4G-1998)
WATER PUMP ASSEMBLY

Page 90 of 94

Ref #	Part Number	Qty	S/P/F	Description
1	3402-354	1	/P	Case, Water Pump (inc. 2-3) (500)
2	3423-343	1		Screw, Cap (500)
3	3003-188	1	S/P	Gasket
4	3423-078	1		O-Ring
5	3004-507	2	S	Screw, Cap
6	3423-119	1	S	Screw, Cap
7	3413-011	1	/P	Joint, Pump Drive (500)
8	3413-002	1		Shaft, Water Pump w/Bearing
9	3423-046	1		Pin
10	3003-356	1		Seal, Pump Drive
11	3402-360	1	S	Seal, Mechanical
12	3413-001	1		Impeller
13	3003-426	1		Screw, Cap
14	3003-431	1	/P	Washer
15	3003-432	1		Gasket

1998 ATV 500 4X4 (98A4G-1998)
WHEEL AND TIRE ASSEMBLY

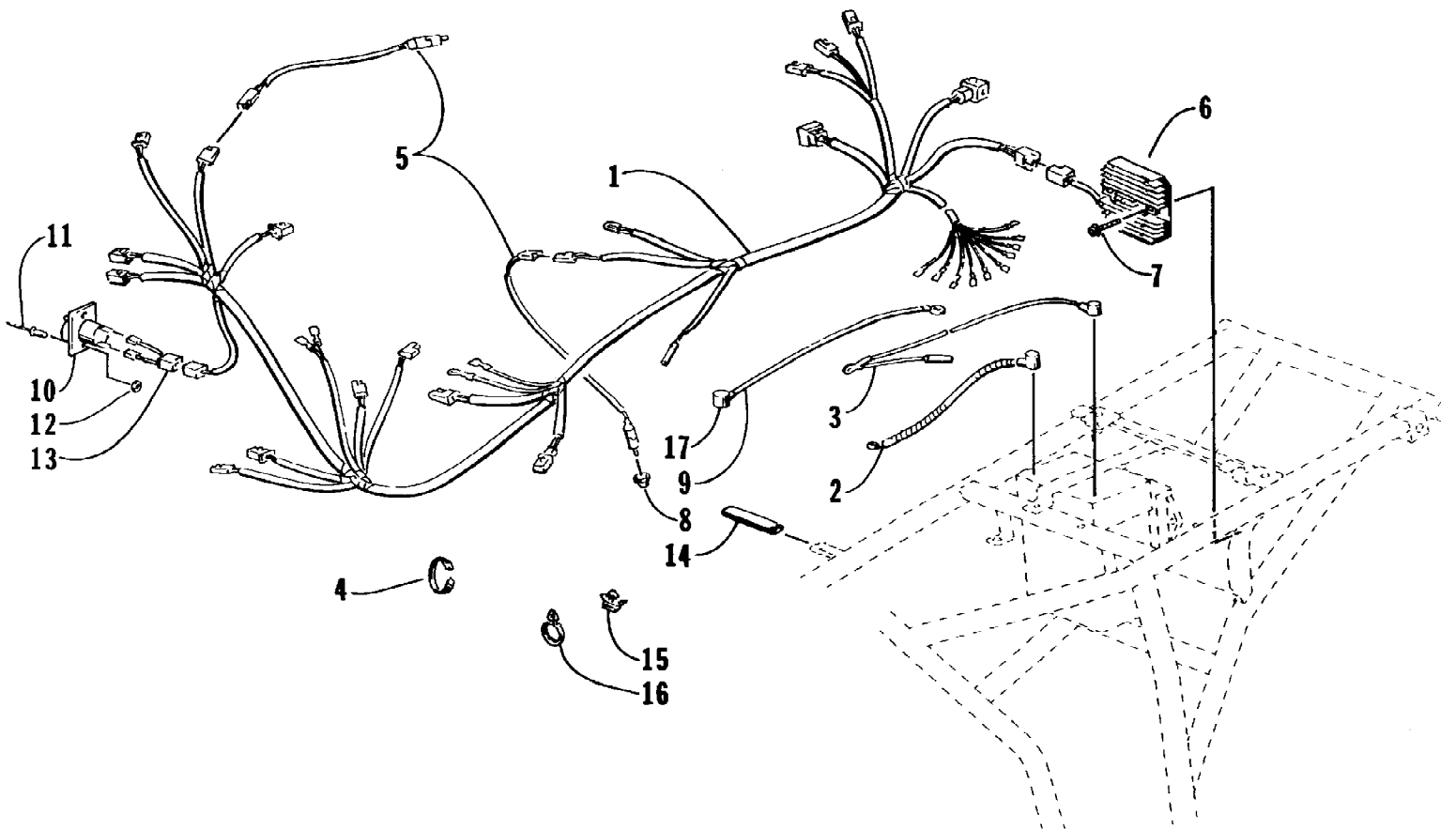


1998 ATV 500 4X4 (98A4G-1998)
WHEEL AND TIRE ASSEMBLY

Page 92 of 94

Ref #	Part Number	Qty	S/P/F	Description
1	3423-213	4		Nut, Hex
2	0402-140	4		Cap, Valve Stem
3	0402-064	4		Valve, Stem
4	0402-215	2		Wheel - Front
5	0402-153	2	S	Tire - Front (500)
6	0123-458	4	/P	Pin, Cotter
7	0423-080	4		Washer
8	0402-181	4		Seal, Hub
9	0502-041	2	S	Hub, Wheel - Front
10	0402-009	3	S	Disc, Brake
11	0423-029	12		Screw, Machine
12	0502-042	2	S	Hub, Wheel - Rear
13	0402-224	2		Wheel - Rear
14	0402-153	2	S	Tire - Rear
15	0403-035	4	/P	Cap, Wheel - Center
16	8409-020	16	/P	Screw, Cap

1998 ATV 500 4X4 (98A4G-1998)
WIRING HARNESS ASSEMBLY



1998 ATV 500 4X4 (98A4G-1998)
WIRING HARNESS ASSEMBLY

Page 94 of 94

Ref #	Part Number	Qty	S/P/F	Description
1	0486-007	1		Harness, Main
2	0445-003	1	/P	Cable, Battery/Electric Start Relay
3	0445-002	1		Cable, Battery/Ground
4	0123-903	0		Tie, Cable
5	0409-009	2		Switch, Brake - Assembly
6	3430-037	1	S	Regulator, Voltage
7	8476-625	2		Screw, Cap
8	0402-168	1	/P	Retainer, Switch
9	0445-004	1		Cable, Battery/Electric Start
10	0445-001	1		Receptacle, 12V
11	8060-428	2		Rivet
12	0123-149	2	/P	Washer
13	0486-004	1		Harness, 12V Receptacle
14	0406-266	1		Sleeve, Cable Clip
15	0423-065	1		Base, Wire Tie
16	0423-075	3		Tie, Cable - Push Mount
17	0645-019	3		Boot, Terminal