

1998 ATV 300 2X4 (98A2C-1998)  
AIR INTAKE ASSEMBLY

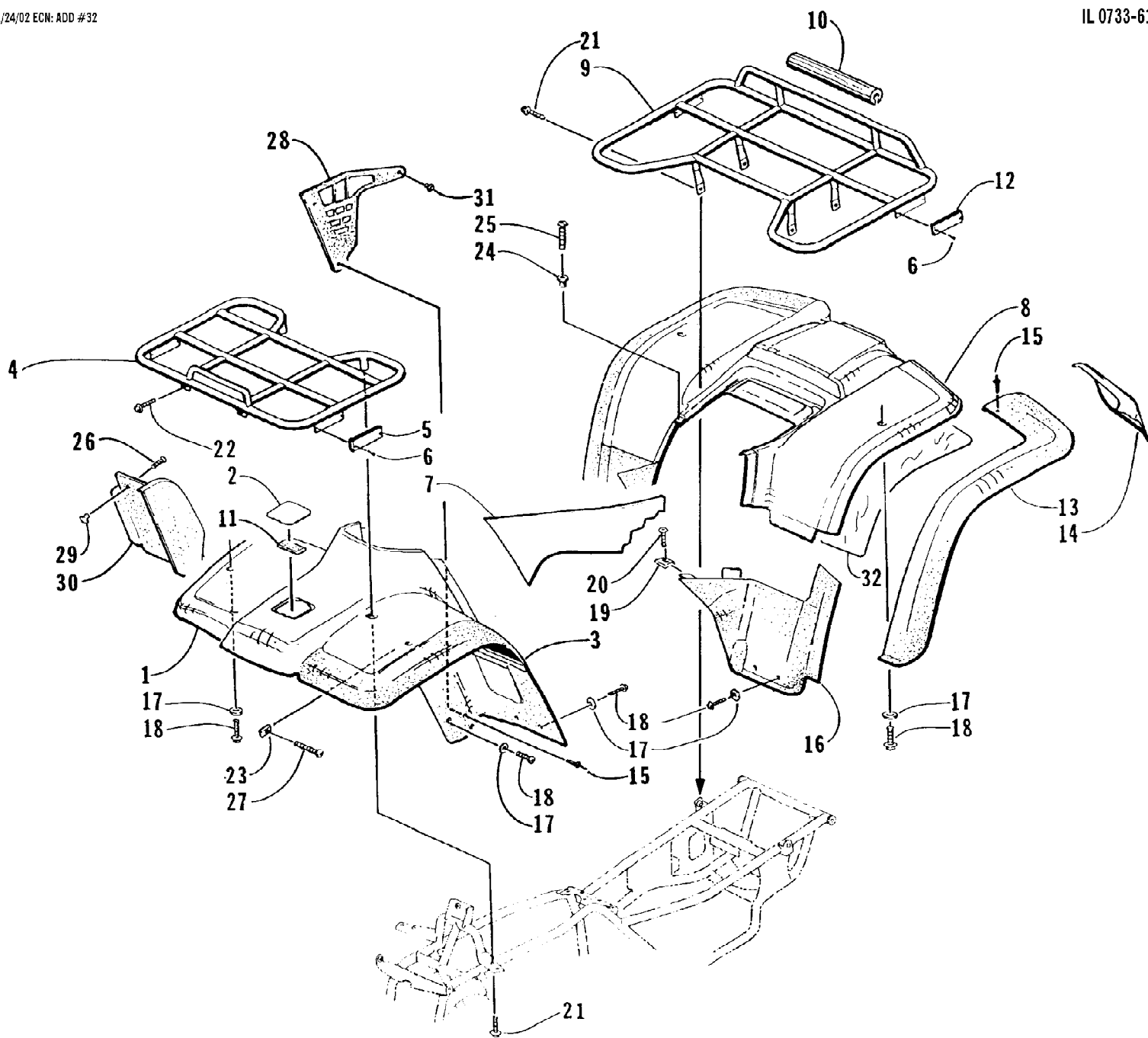
Page 2 of 83

Ref #	Part Number	Qty	S/P/F	Description
1	3570-001	1	/P	Box, Air - Assembly (inc. 2 and 4-9)
2	3402-330	1		Slider, Retainer - Filter
3	0470-355	1		Filter, Air Cleaner
3	0470-356	1		Sleeve, Filter
4	3402-331	1		Cap
5	8477-610	2		Screw, Cap
6	3423-329	1		Joint
7	3423-311	2		Clamp
8	3423-313	3		Clip
9	3402-334	1		Plug, Breather
10	0470-349	1	S	Valve, Air Cleaner
11	0423-047	1		Clamp
12	3470-004	1		Tube, Crankcase Breather
13	0423-018	1		Clamp
14	0470-347	1		Boot, Air Cleaner
15	0423-019	1		Clamp
16	0570-019	1		Snorkel, Air Intake
17	8053-212	3	/P	Washer, Lock
18	0406-379	1	/P	Strap, Tool Kit
19	0423-046	1		Rivet, Plastic
20	0444-072	1	S	Kit, Tool
21	8476-616	5		Screw, Cap

1998 ATV 300 2X4 (98A2C-1998)  
BODY PANEL ASSEMBLY

D/L 1/24/02 ECN: ADD #32

IL 0733-613



'98 300 2x4, 4x4

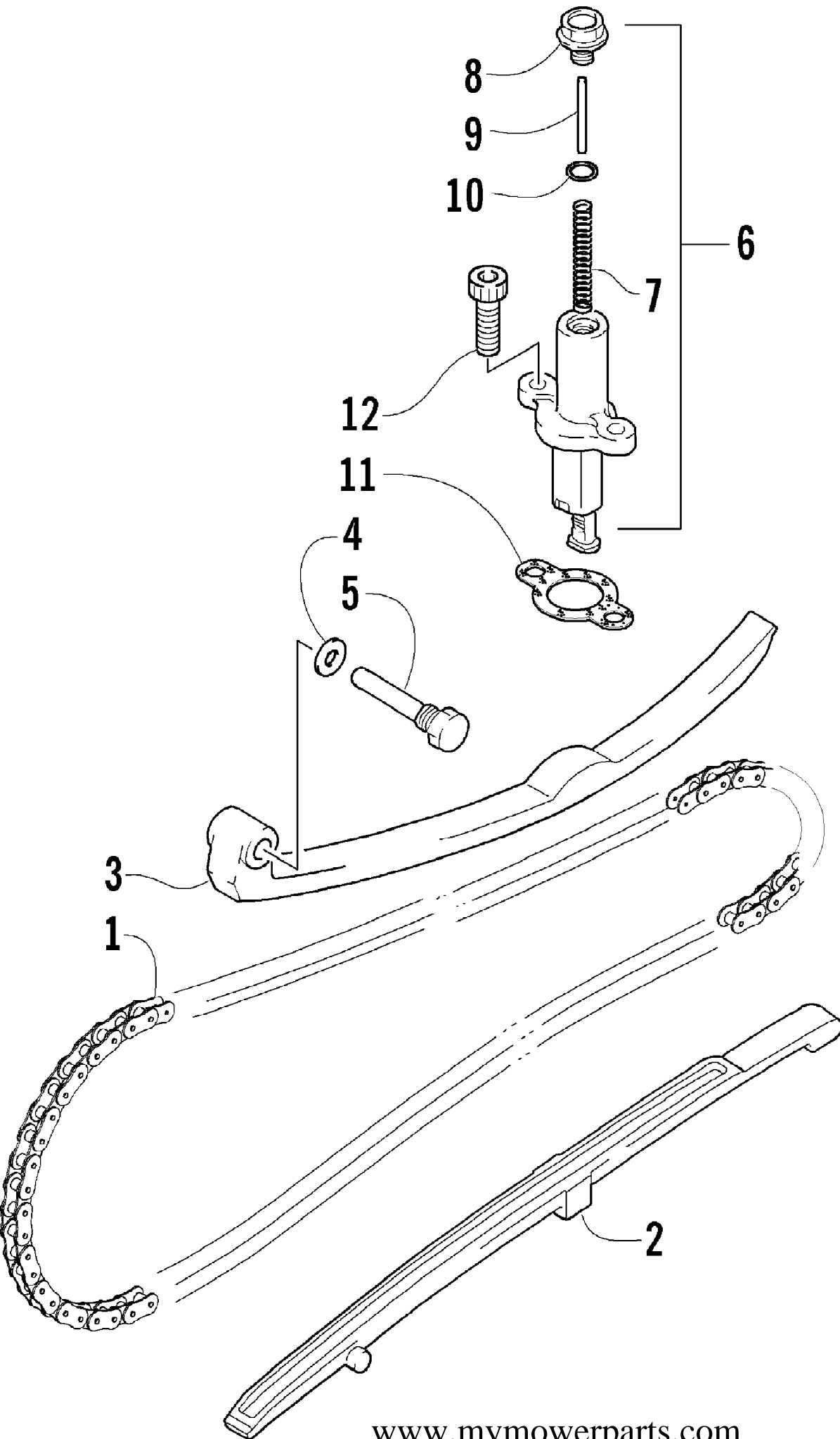
BODY PANEL ASSEMBLY

IL 0733-613

1998 ATV 300 2X4 (98A2C-1998)  
BODY PANEL ASSEMBLY

Page 4 of 83

Ref #	Part Number	Qty	S/P/F	Description
1	0506-239	1		Panel, Fender - Front (2x4)
2	0506-153	1	S	Cover, Access
4	0506-191	1		Rack - Front
5	0606-526	2		Reflector - Yellow
6	0623-269	8		Clip, Retaining
7	0506-242	1		Panel, Side - Right
7	0506-243	1		Panel, Side - Left
8	0506-245	1		Panel, Fender - Rear (2x4)
9	0506-190	1	/P	Rack - Rear
10	0406-293	1		Wrap, Tube - Rear Rack
11	0417-002	1		Foam, Access Panel
12	0606-029	2		Reflector - Red
15	0423-046	10		Rivet, Plastic (2x4)
16	0406-084	1		Fender Extension - Rear Right (2x4)
16	0406-085	1		Fender Extension - Rear Left (2x4)
17	0423-010	22		Washer, Body (2x4)
18	8474-616	22		Screw, Machine (2x4)
19	0423-060	2		Clip, Tinerman
20	0623-309	2		Screw, Self-Tapping
21	8409-020	6	/P	Screw, Cap
22	8408-812	2		Screw, Cap
23	0423-031	2		Nut, Speed
24	0123-010	2	/P	Nut, Expansion
25	0423-068	2		Screw, Machine
26	8477-610	4		Screw, Machine
27	8476-616	2		Screw, Machine
28	0406-374	2		Panel, Deflector
29	0423-077	4	/P	T-Nut
30	0506-272	1		Flare - Front Right (2x4)
30	0506-273	1		Flare - Front Left (2x4)
31	0623-362	2		Rivet, Plastic
32	0619-230	1	/P/F	Foil, (3 in. x 24 in.)

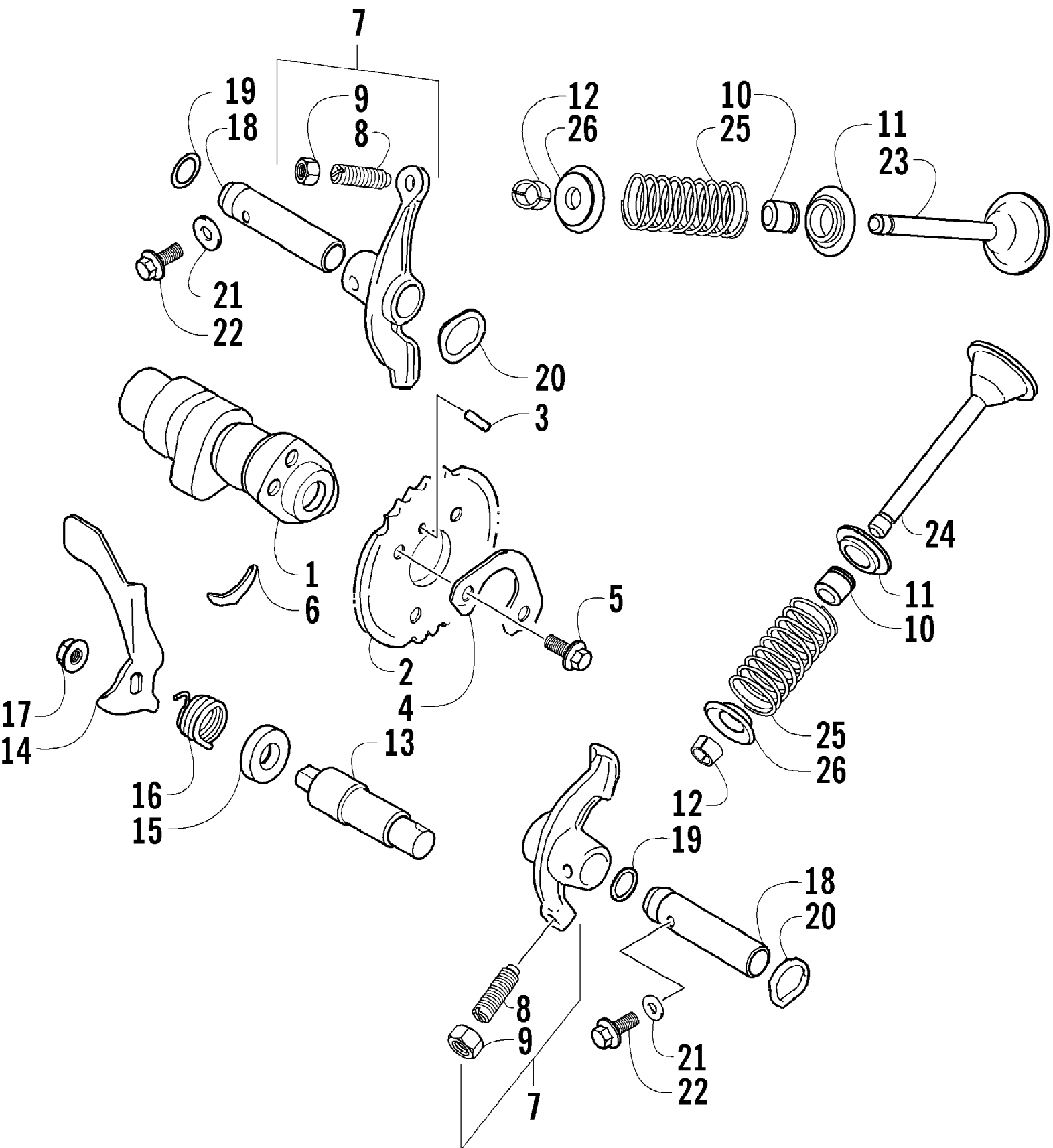


1998 ATV 300 2X4 (98A2C-1998)  
CAM CHAIN ASSEMBLY

Page 6 of 83

Ref #	Part Number	Qty	S/P/F	Description
1	3402-281	1		Chain, Cam
2	3402-277	1		Guide, Cam Chain
3	3402-282	1		Tensioner, Cam Chain
4	3423-074	1		Screw, Cap
5	3003-188	1	S/P	Washer
6	3402-283	1		Adjuster, Tensioner - Assembly (inc. 7-10)
7	3402-284	1		Spring
8	3402-285	1		Plug
9	3402-286	1		Bar
10	3423-286	1		O-Ring
11	3402-287	1		Gasket, Adjuster
12	3004-576	2	S	Screw, Cap

1998 ATV 300 2X4 (98A2C-1998)  
CAM SHAFT VALVE ASSEMBLY



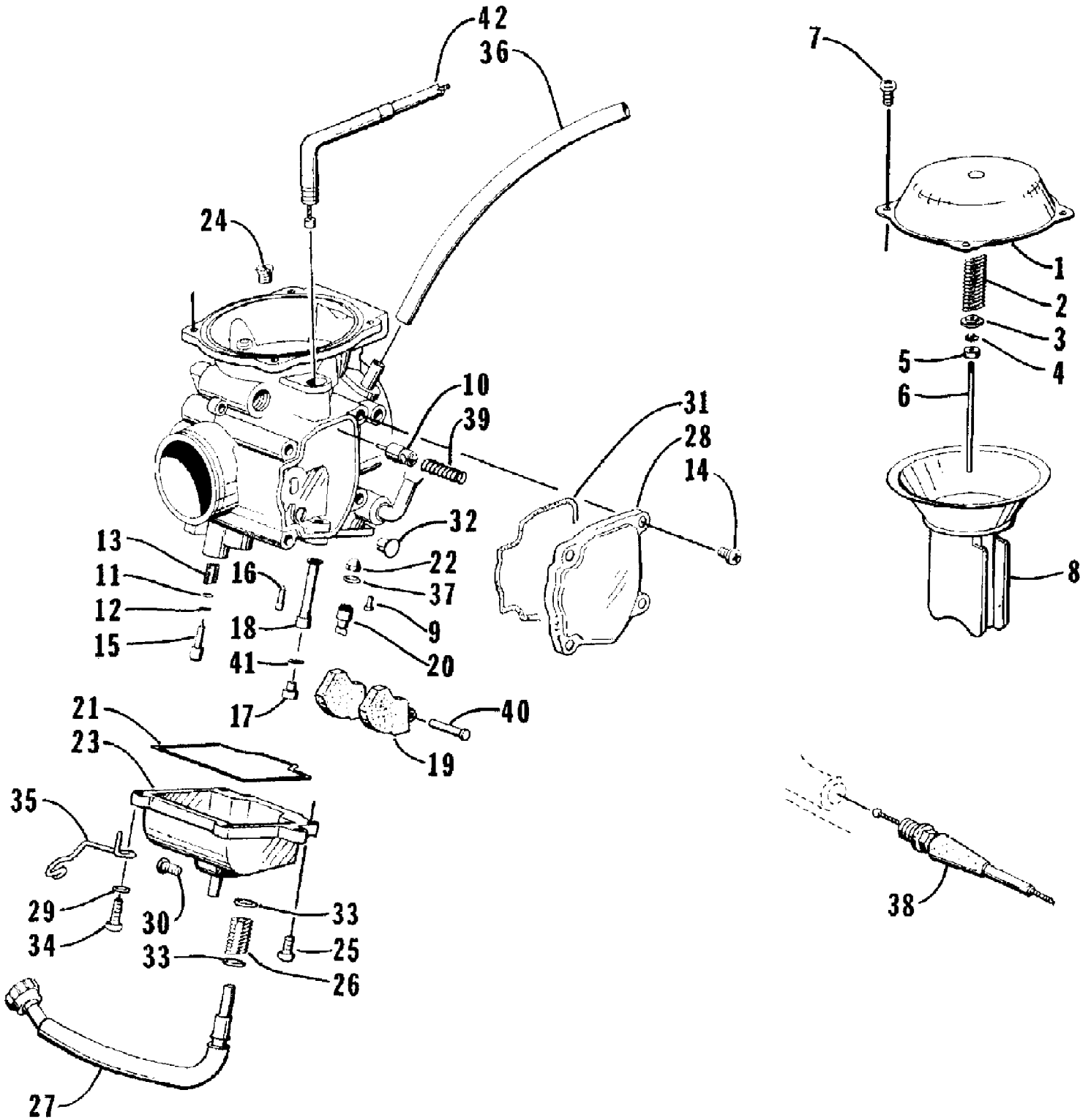
1998 ATV 300 2X4 (98A2C-1998)  
CAM SHAFT VALVE ASSEMBLY

Page 8 of 83

Ref #	Part Number	Qty	S/P/F	Description
1	3402-275	1		Cam Shaft
2	3402-326	1	S	Sprocket
3	3423-047	1		Pin
4	3423-284	1	S	Washer
5	3423-013	2	S	Screw, Cap
6	3423-071	1	/P	C-Ring
7	3402-288	2		Arm, Valve Rocker (inc. 8-9)
8	3423-287	2		Screw, Cap
9	3423-288	2		Nut
10	3402-226	2		Seal, Oil
11	3402-294	2		Seat, Spring
12	0693-281	4	/P	Cotter, Valve
13	3402-295	1		Shaft, Decompression
14	3402-296	1		Lever, Decompression
15	3402-225	1		Seal, Oil
16	3402-242	1		Spring
17	3004-326	1	S/P	Nut
18	3402-289	2		Shaft, Rocker Arm
19	3423-052	2		O-Ring
20	3423-259	2		Washer
21	3003-290	2	/P	Gasket
22	3004-376	2	S/P	Screw, Cap
23	3402-290	1		Valve, Intake
24	3402-291	1		Valve, Exhaust
25	3402-292	2		Spring Set, Valve
26	3402-293	2	S	Retainer, Spring



1998 ATV 300 2X4 (98A2C-1998)  
CARBURETOR

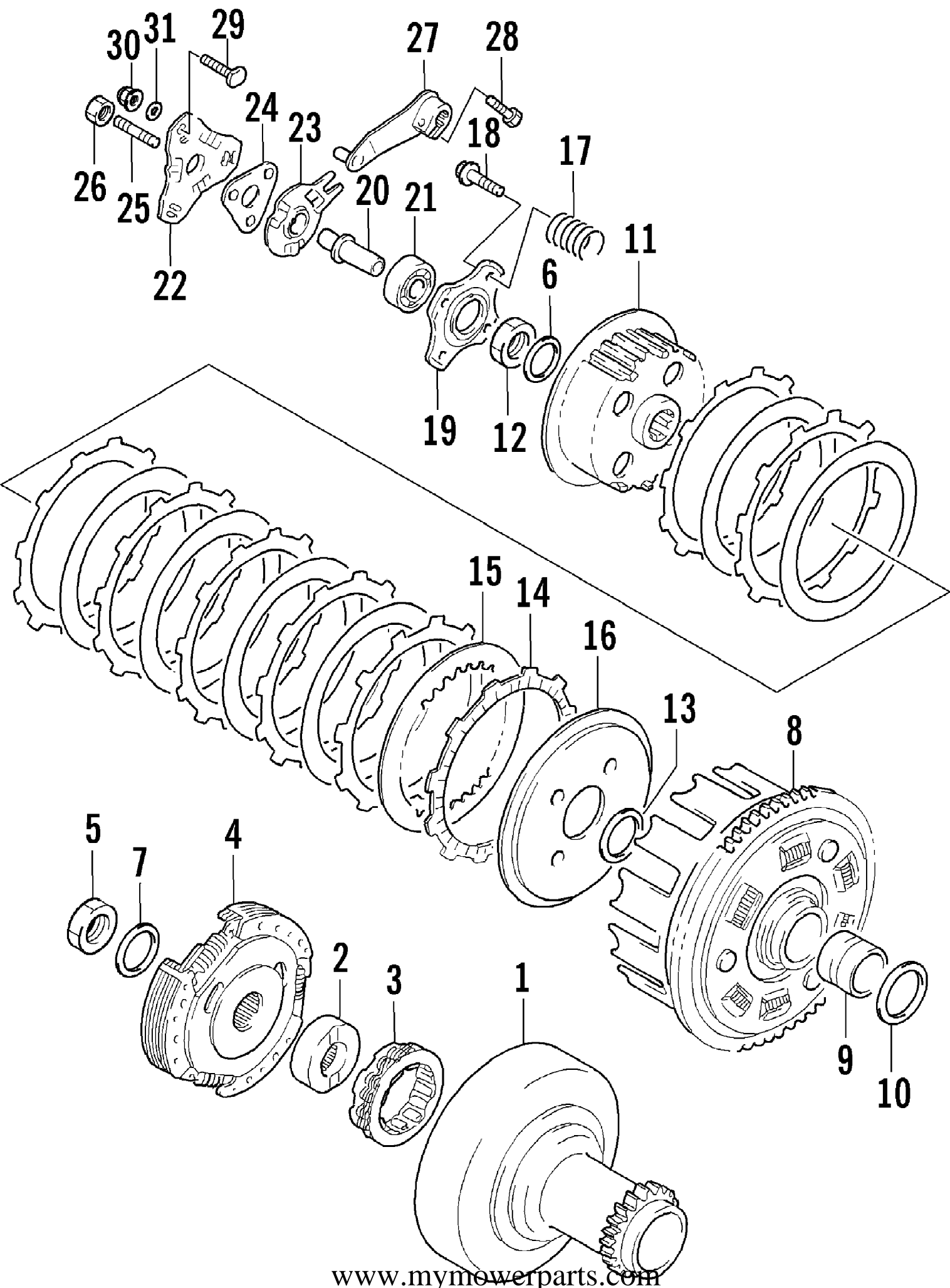


1998 ATV 300 2X4 (98A2C-1998)  
CARBURETOR

Page 10 of 83

Ref #	Part Number	Qty	S/P/F	Description
	0470-348	1	F	Complete Assembly
1	4505-001	1		Cover-Assembly
2	4505-046	1	/P	Spring
3	4505-003	1		Ring
4	4505-004	1	S	E-Ring
5	4505-005	1		Ring
6	4505-061	1	/P	Jet Needle P-8M
7	4505-007	4	S	Screw
8	4505-058	1		Diaphragm
9	4505-009	1		Screw
10	4505-010	1		Plunger Assembly
11	4505-011	1	/P	O-Ring
12	4505-012	1		Washer
13	4505-013	1		Spring
14	4505-014	4		Screw
15	4505-016	1	/P	Screw, Pilot
16	4505-059	1		Jet, Pilot 45
17	4505-060	1		Jet, Main 137.5
17	4505-019	1		Jet, Main 142.5*
18	4505-057	1	/P	Needle Jet 4D28-3
19	4505-021	1		Float-Assembly
20	4505-022	1		Seat, Valve 2.0 (With Needle)
21	4505-044	1		O-Ring, Bowl
22	4505-045	1		Filter
23	4505-023	1		Chamber, Float
24	4505-024	1	/P	Jet, Pilot - Air
25	4505-025	3		Screw
26	4505-026	1		Spring
27	4505-062	1		Cable Adjust - Assembly
28	4505-028	1		Cover
29	4505-029	1		Washer
30	4505-030	1		Screw
31	4505-031	1		O-Ring
32	4505-032	1		Guide, Cable
33	4505-033	2		Washer
34	4505-042	1		Screw
35	4505-043	1	S	Clip
36	4505-035	2		Hose
37	4505-048	1	S	O-Ring
38	0487-008	1		Cable, Choke
39	4505-039	1	/P	Spring
40	4505-040	1		Pin
41	6505-006	1		Washer
42	0487-007	1		Cable, Throttle

1998 ATV 300 2X4 (98A2C-1998)  
CLUTCH ASSEMBLY

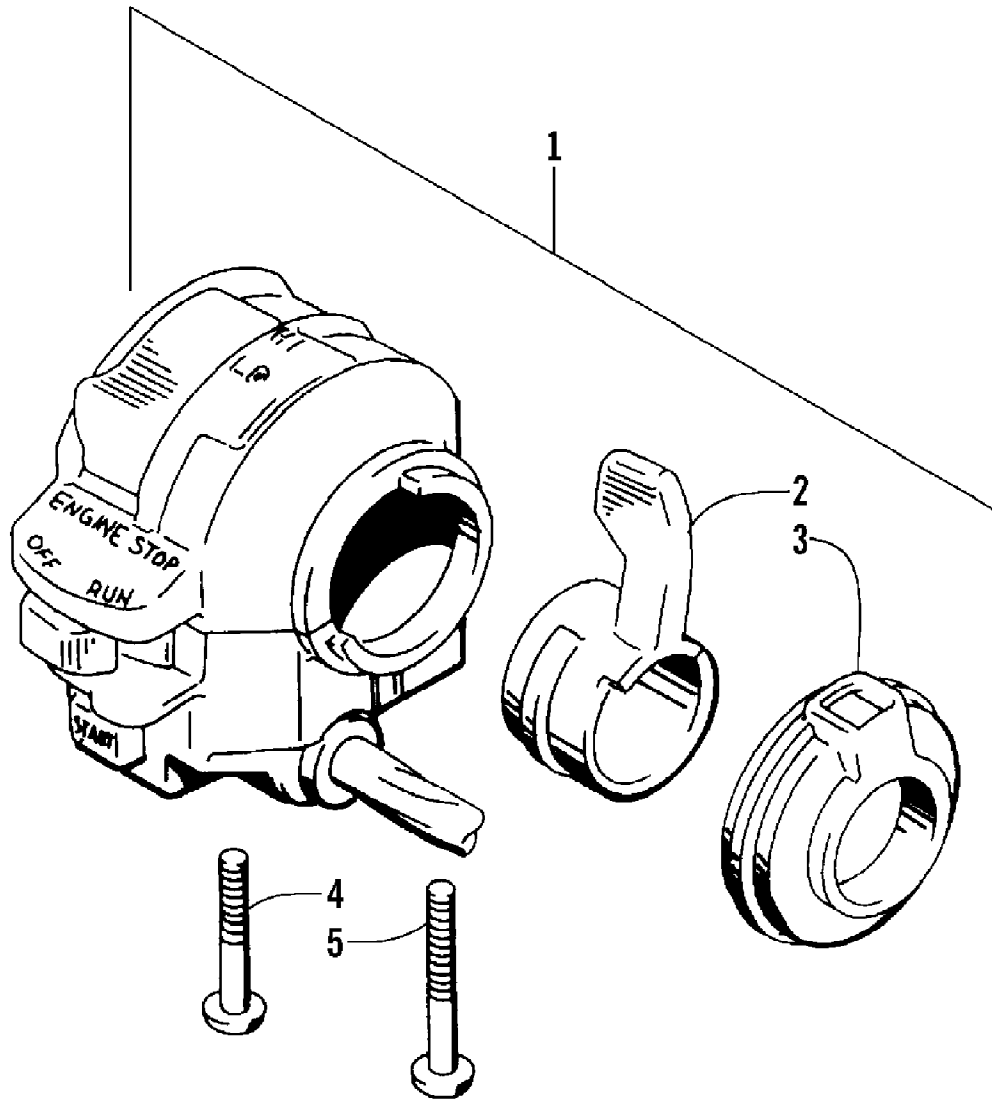


1998 ATV 300 2X4 (98A2C-1998)  
CLUTCH ASSEMBLY

Page 12 of 83

Ref #	Part Number	Qty	S/P/F	Description
1	3446-120	1	S	Gear, Primary Drive
2	3446-129	1		Race, Inner
3	3446-122	1		Clutch, One Way
4	3446-128	1		Clutch-Assembly
5	3423-253	1		Nut
6	3423-032	1		Washer, Lock
7	3423-260	1	S	Washer, Lock
8	3446-121	1		Gear, Primary - Assembly
9	3402-206	1		Spacer
10	3402-211	1		Washer
11	3446-123	1		Hub, Clutch
12	3423-254	1		Nut
13	3423-316	1		Washer
14	3446-124	8		Plate, Drive
15	3446-125	7		Plate, Driven
16	3446-126	1		Disc, Pressure
17	3402-239	4		Spring
18	3004-341	4	S/P	Screw, Cap
19	3446-127	1		Plate, Release
20	3446-130	1		Piece, Push
21	3402-043	1	/P	Bearing
22	3446-133	1		Guide, Ball - Outer
23	3446-131	1		Guide, Ball - Inner
24	3446-134	1		Ball, Release
25	3423-248	1		Screw, Adjuster
26	3423-022	1		Nut, Adjuster
27	3446-132	1		Arm, Release
28	3423-125	1	S	Screw, Cap
29	3423-245	3		Screw, Cap
30	0693-316	3	S	Nut
31	3003-290	3	/P	Seal, Cap Screw

1998 ATV 300 2X4 (98A2C-1998)  
CONTROL SWITCH HOUSING ASSEMBLY

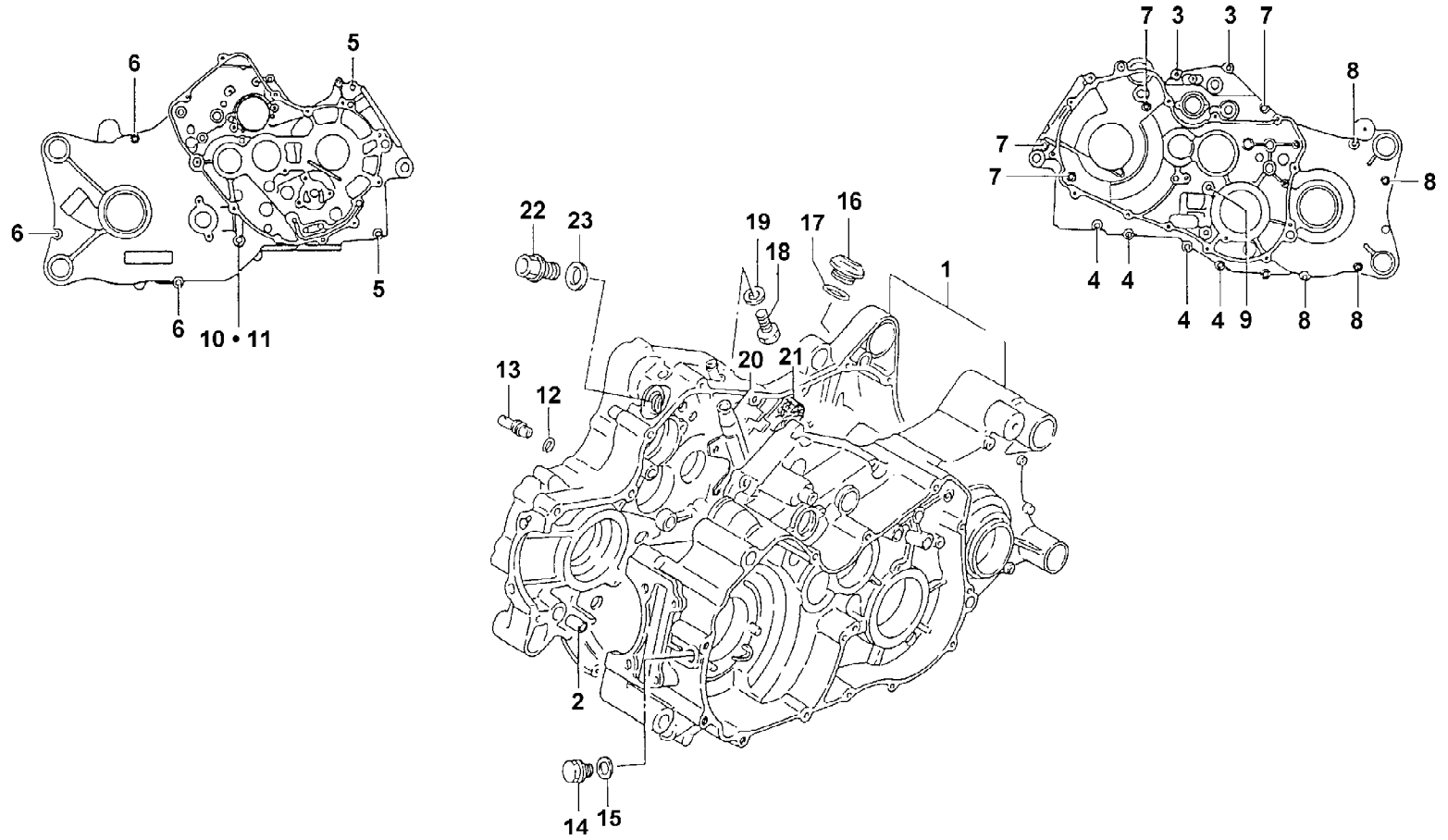


1998 ATV 300 2X4 (98A2C-1998)  
CONTROL SWITCH HOUSING ASSEMBLY

Page 14 of 83

Ref #	Part Number	Qty	S/P/F	Description
1	3409-002	1	S	Switch, Handle - Assembly (inc. 2-5)
2	3409-009	1		Lever, Choke
3	3409-010	1		Cover, Choke
4	3423-196	1		Screw, Cap
5	3423-197	1		Screw, Cap

1998 ATV 300 2X4 (98A2C-1998)  
CRANKCASE ASSEMBLY



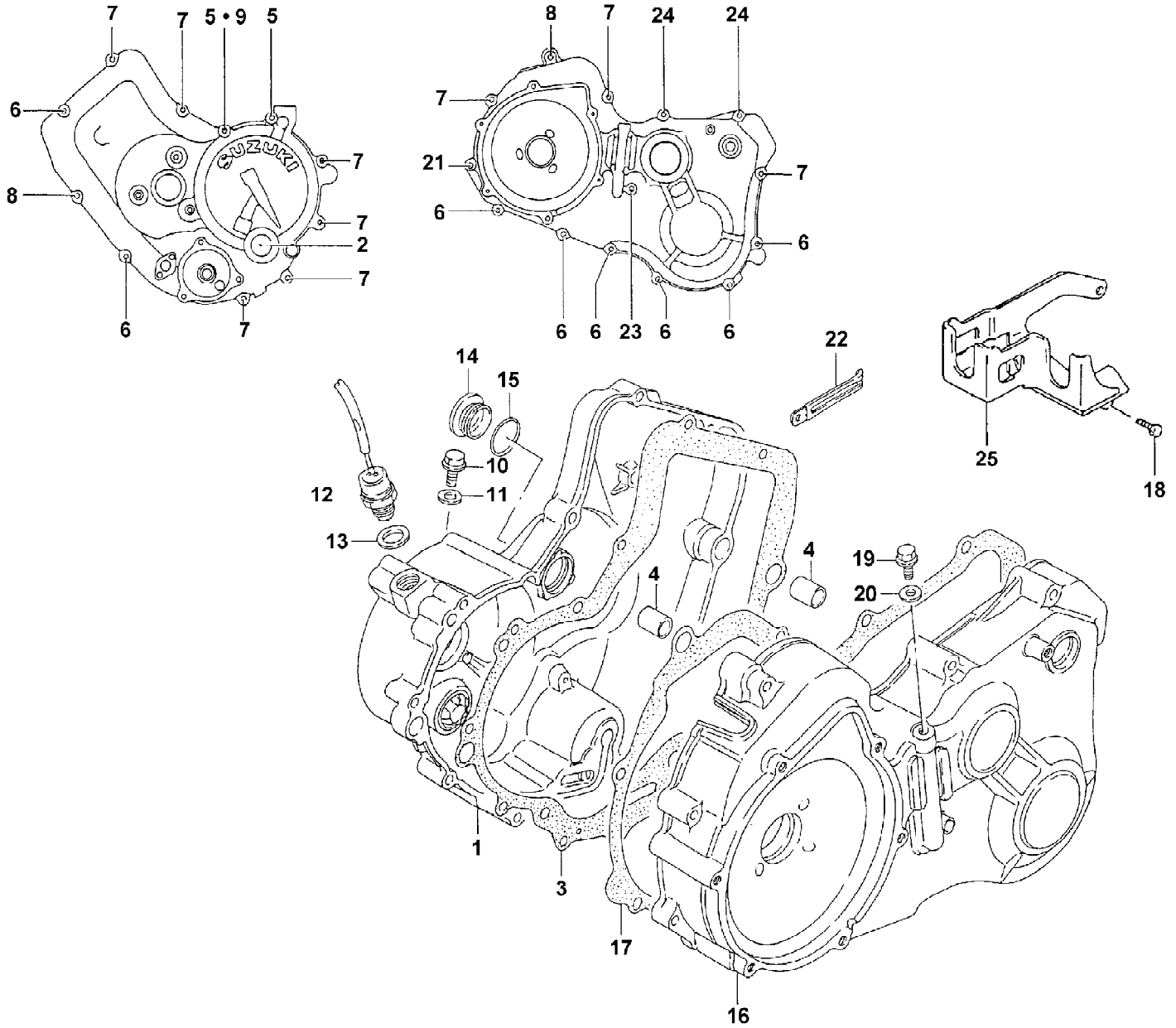
1998 ATV 300 2X4 (98A2C-1998)  
CRANKCASE ASSEMBLY

Page 16 of 83

Ref #	Part Number	Qty	S/P/F	Description
1	3402-253	1		Crankcase Set (inc. 2-13) (2x4)
2	3423-088	2		Pin
3	3423-162	2	S	Screw, Cap
4	3423-098	4	S	Screw, Cap
5	3423-091	2	S	Screw, Cap
6	3423-307	3	S	Screw, Cap
7	3423-308	4	S	Screw, Cap
8	3423-094	4		Screw, Cap
9	3423-232	1		Screw, Cap
10	3423-234	1		Screw, Cap
11	3005-243	1		Gasket
12	3423-051	1		O-Ring, Oil Gallery Jet
13	3402-245	1		Jet, Oil Gallery
14	3402-214	1		Plug
15	3402-012	1		Gasket
16	3402-212	1		Cap, Oil Filler
17	3423-274	1	/P	O-Ring
18	3402-327	1	S	Plug, Oil Drain
19	3402-011	1		Gasket
20	3402-257	1		Pipe, Breather
21	3402-250	1		Separator, Oil Breather
22	3402-258	1		Plug, Reverse Switch Hole
23	3423-271	1		O-Ring



1998 ATV 300 2X4 (98A2C-1998)  
CRANKCASE COVER ASSEMBLY

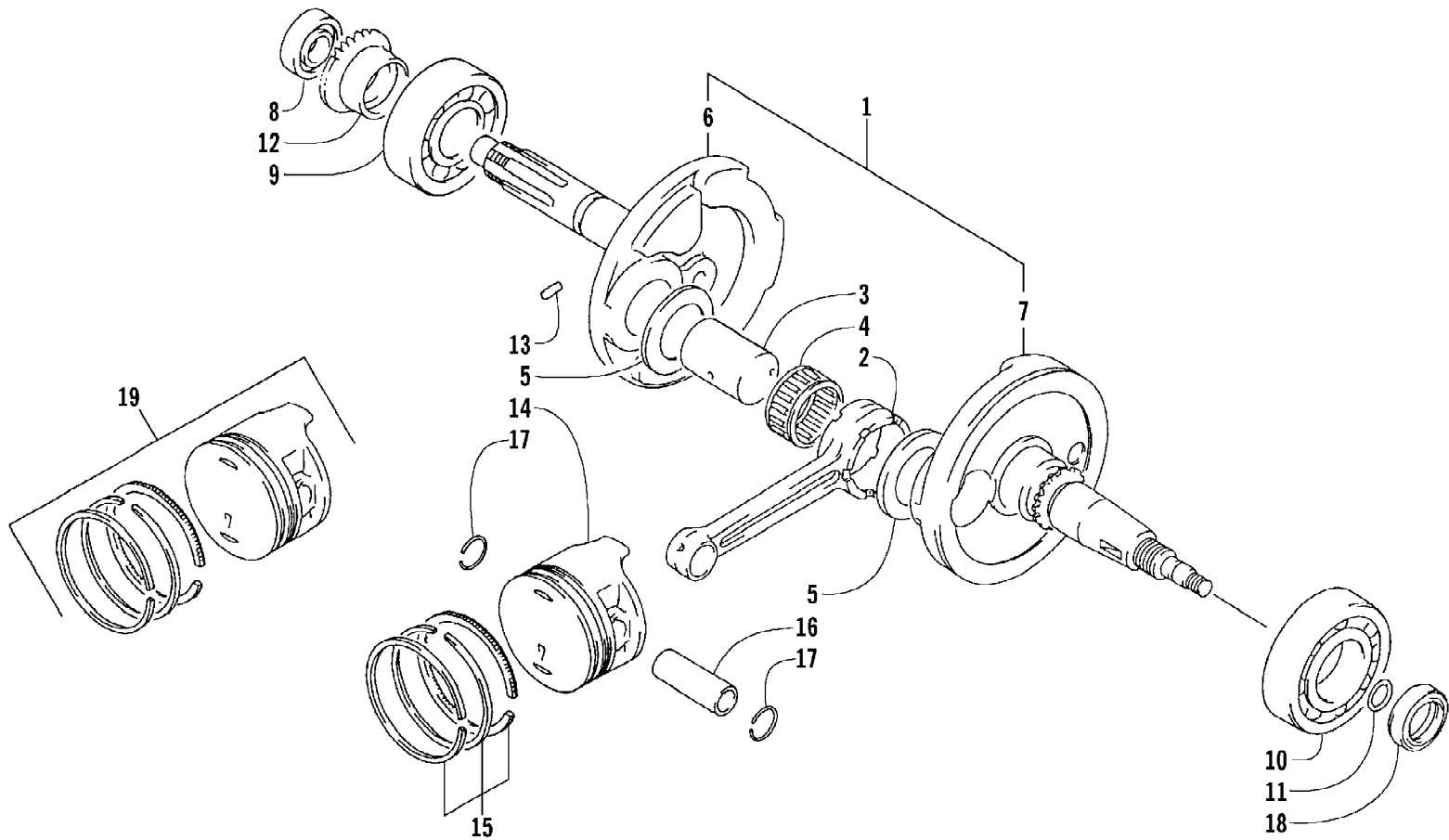


1998 ATV 300 2X4 (98A2C-1998)  
CRANKCASE COVER ASSEMBLY

Page 18 of 83

Ref #	Part Number	Qty	S/P/F	Description
1	3402-254	1	/P	Cover, Clutch (inc. 2)
2	3402-112	1	/P	Lens, Oil Inspection
3	3402-280	1	S	Gasket
4	3423-088	4		Pin
5	3423-231	2		Screw, Cap
6	0693-327	8	S	Screw, Cap
7	3423-098	9	S	Screw, Cap
8	3423-307	2	S	Screw, Cap
9	3003-290	1	/P	Gasket
10	3004-705	2	S	Plug, Oil Gallery
11	3005-242	2		Gasket
12	3430-019	1		Switch, Oil Lamp
13	3402-013	1	/P	Gasket
14	3402-215	1		Cap, Clutch Adjust
15	3423-274	1	/P	O-Ring
16	3402-256	1		Cover, Transfer
17	3402-262	1		Gasket, Transfer Cover
18	3423-328	1	S	Screw, Cap
19	3004-339	1	S/P	Plug, Oil Gallery
20	3003-290	1	/P	Gasket
21	3004-756	1	S	Screw, Cap
22	3402-237	2		Clamp, Breather Hose
23	3423-308	1	S	Screw, Cap
24	3423-091	2	S	Screw, Cap
25	3430-029	1		Bracket, Shift Cable

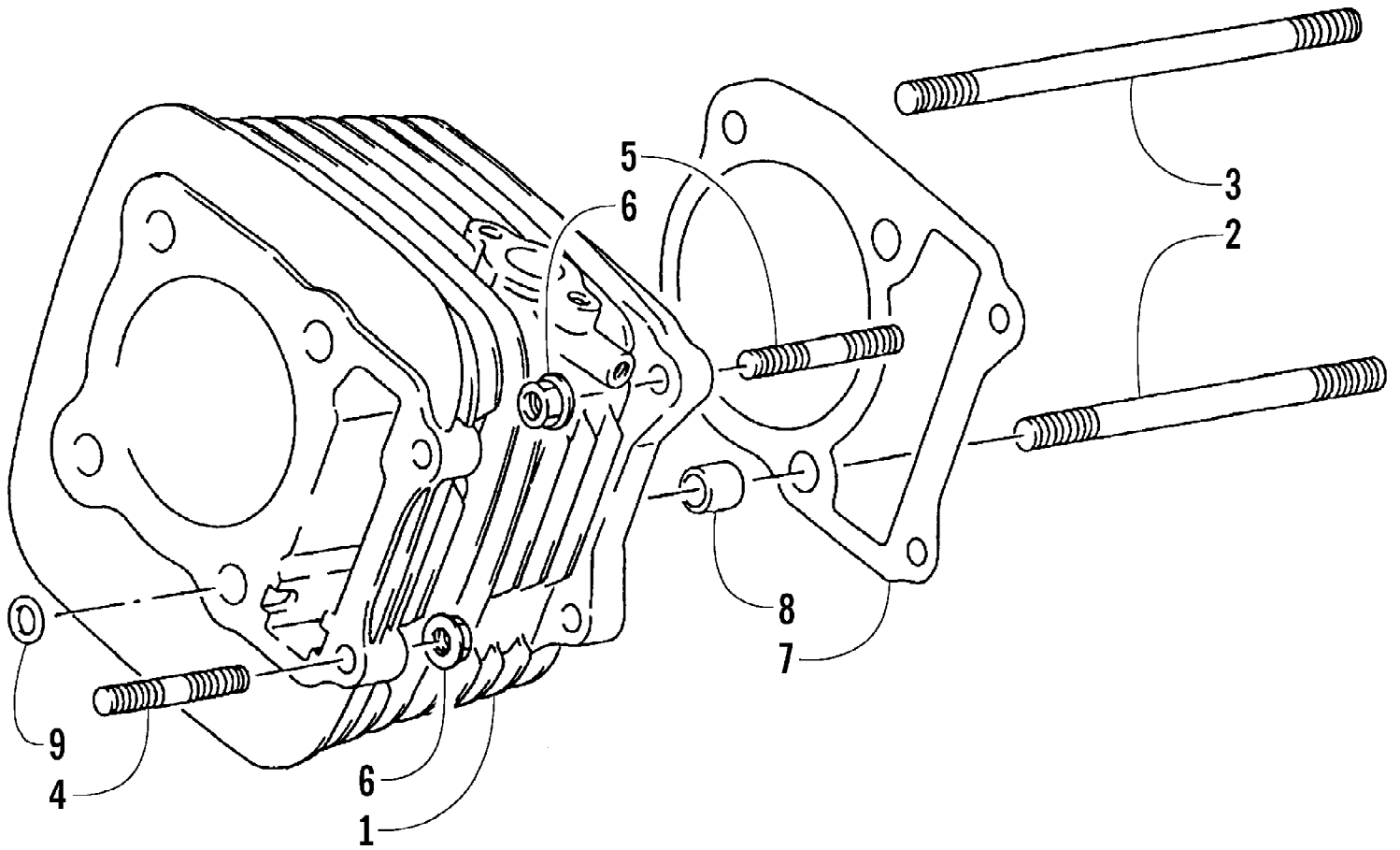
1998 ATV 300 2X4 (98A2C-1998)  
CRANKSHAFT ASSEMBLY



1998 ATV 300 2X4 (98A2C-1998)  
CRANKSHAFT ASSEMBLY

Page 20 of 83

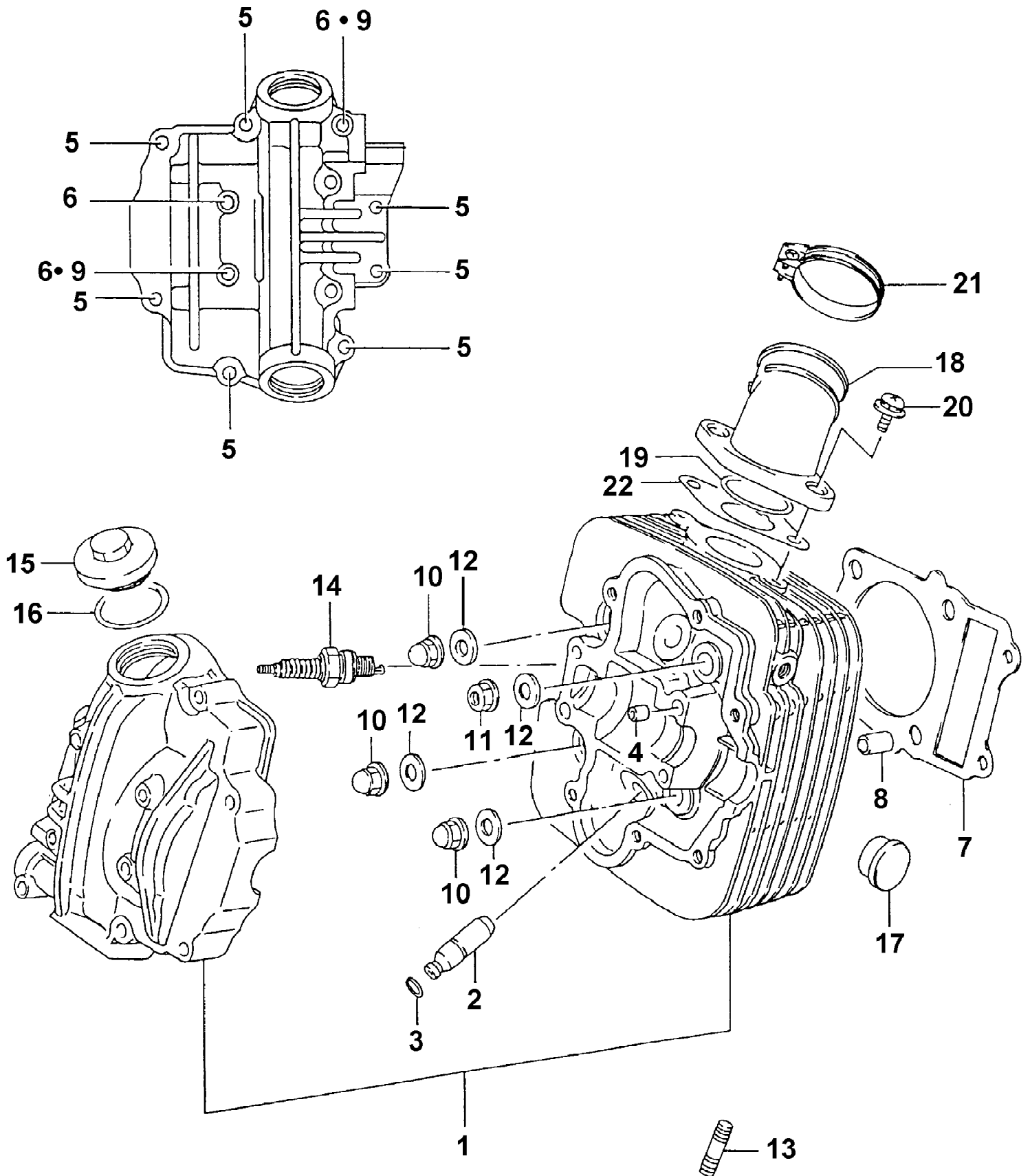
Ref #	Part Number	Qty	S/P/F	Description
1	3402-269	1		Crankshaft - Assembly (inc. 2-7)
2	3402-268	1		Rod, Connecting
3	3402-270	1	S	Pin, Crank
4	3402-223	1		Bearing
5	3005-241	2		Washer
6	3402-271	1	S	Crankshaft - Right
7	3402-272	1	S	Crankshaft - Left
8	3402-216	1		Bearing - Right
9	3402-221	1		Bearing - Middle
10	3402-055	1	/P	Bearing - Left
11	3423-053	1	/P	O-Ring
12	3402-301	1		Gear, Oil Pump Drive
13	3423-114	1	/P	Pin
14	3402-265	1		Piston
15	3402-266	1		Ring Set, Piston
16	3402-267	1		Pin, Piston
17	3423-280	2		Circlip
18	3402-227	1		Seal, Oil
19	3402-306	1		Piston Set (+0.020 in.)
19	3402-307	1		Piston Set (+0.040 in.)



1998 ATV 300 2X4 (98A2C-1998)  
CYLINDER ASSEMBLY

Page 22 of 83

Ref #	Part Number	Qty	S/P/F	Description
1	3402-251	1		Cylinder
2	3423-238	2		Bolt, Stud
3	3423-239	2		Bolt, Stud
4	3423-089	2	S	Bolt, Stud
5	3423-237	2		Bolt, Stud
6	3004-488	4	S/P	Nut
7	3402-252	1		Gasket, Cylinder
8	3423-306	2		Pin
9	3005-226	1	/P	O-Ring

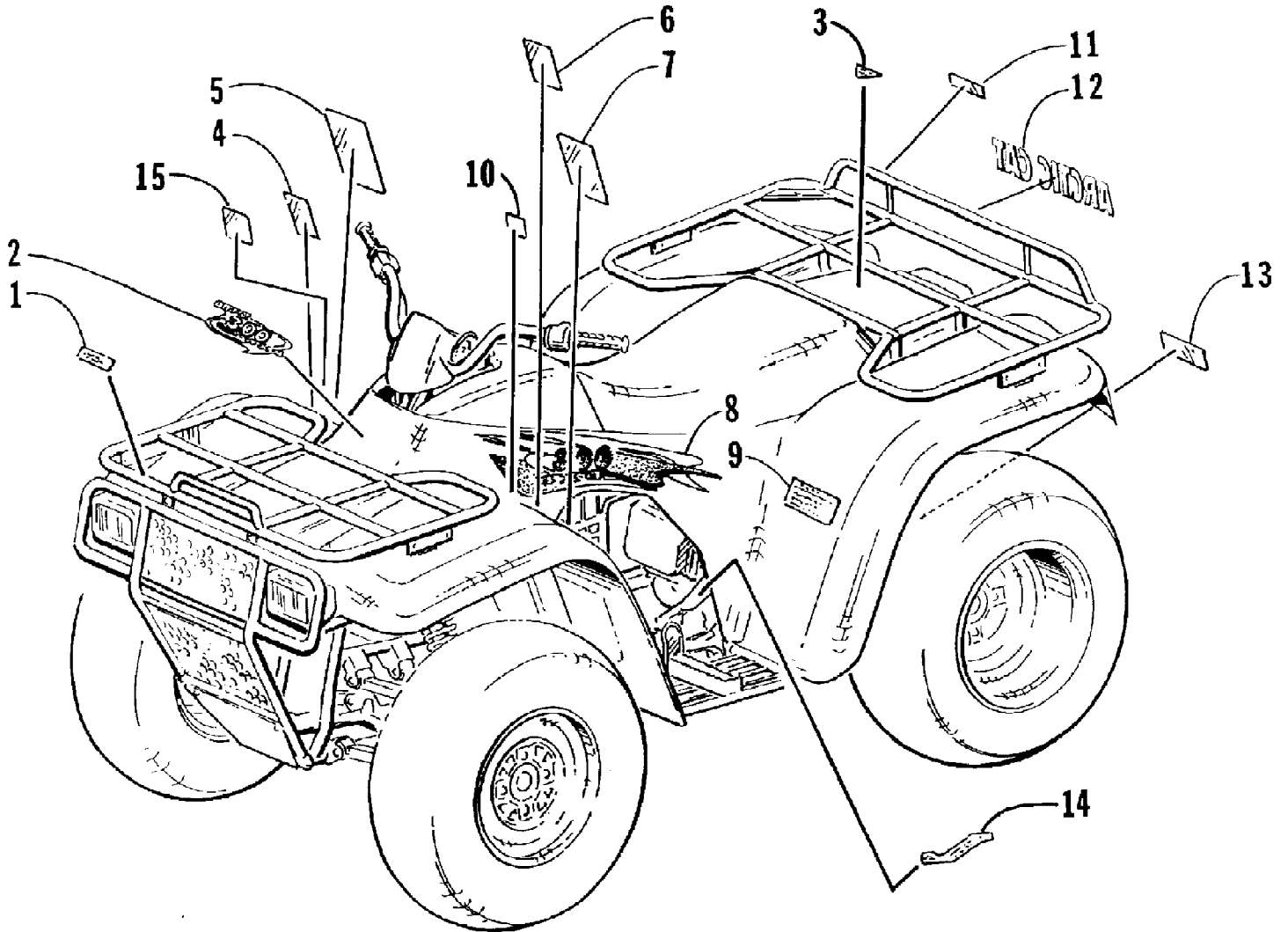


1998 ATV 300 2X4 (98A2C-1998)  
CYLINDER HEAD ASSEMBLY

Page 24 of 83

Ref #	Part Number	Qty	S/P/F	Description
1	3402-246	1		Head, Cylinder - Assembly (inc. 2-6)
2	3402-247	2		Guide, Valve
3	3423-068	2		Ring, Valve Guide
4	3423-043	2	/P	Pin
5	3004-426	7	S	Screw, Cap
6	3423-304	3	S	Screw, Cap
7	3402-248	1		Gasket, Cylinder Head
8	3004-822	2		Pin
9	3003-290	2	/P	Gasket
10	3423-257	3		Nut
11	3004-326	1	S/P	Nut
12	3005-243	4		Gasket
13	3003-032	2	S	Bolt, Stud
14	0217-713	1		Spark Plug (NGK DR7EA)
15	3402-249	2		Cap, Inspection
16	3423-275	2		O-Ring
17	3402-213	1		Plug, Head
18	3402-297	1	S	Pipe, Intake
19	3423-276	1		O-Ring
20	3423-305	2	S	Screw, Cap
21	3402-086	1	/P	Clamp
22	3402-298	1		Gasket, Intake Pipe

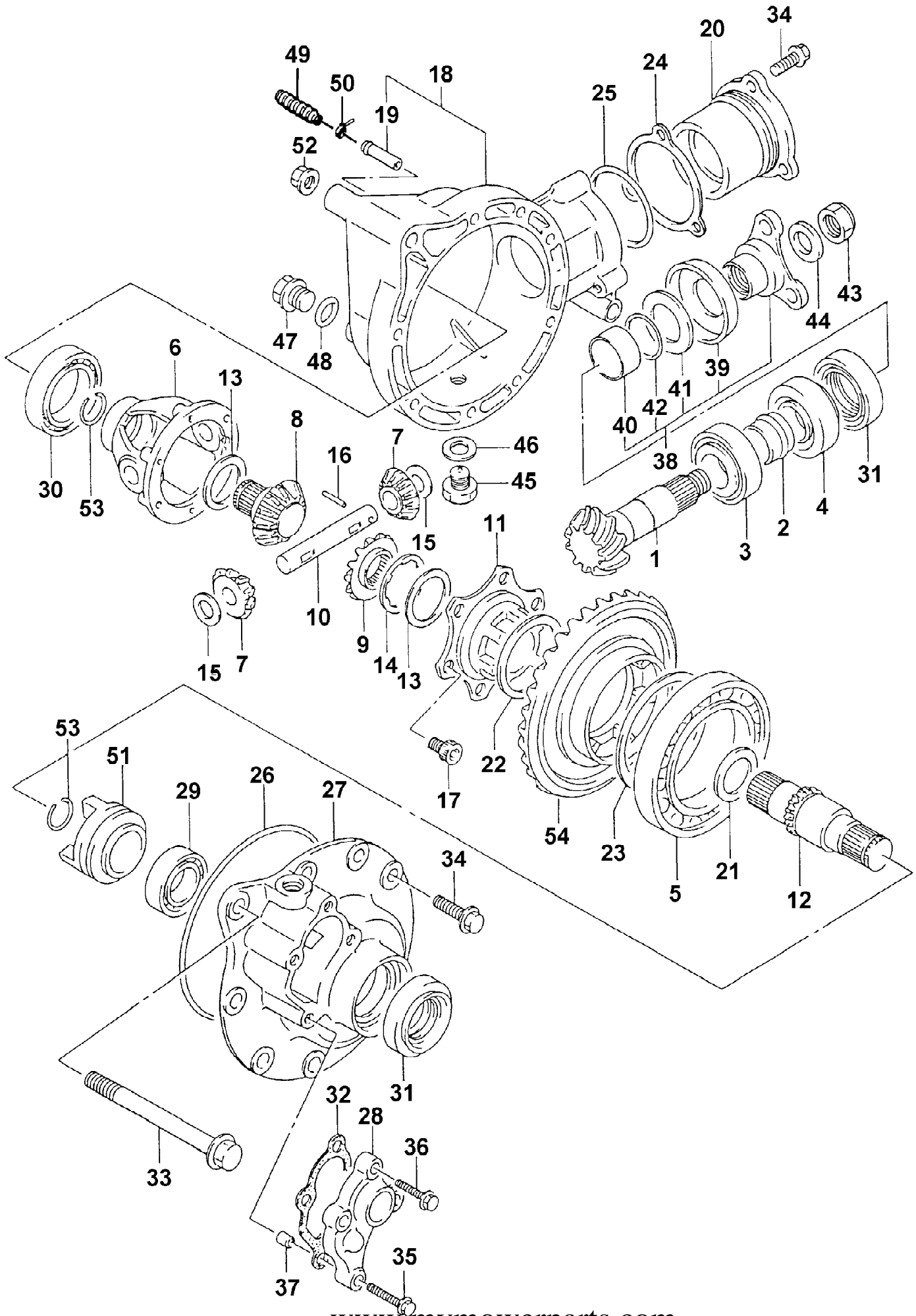




1998 ATV 300 2X4 (98A2C-1998)  
DECALS

Page 26 of 83

Ref #	Part Number	Qty	S/P/F	Description
1	0411-082	1		Decal, Warning - Front Rack Load
2	0411-108	1		Decal, Front (2x4)
3	3611-002	1		Decal, "Made In U.S.A."
4	0411-045	1		Decal, Warning - Turn
5	0411-008	1	/P	Decal, Warning Reverse/Pre Ride
6	0411-040	1		Decal, Warning - Age
7	0411-010	1		Decal, Warning - General
8	0411-106	1		Decal, Side Right (2x4)
8	0411-107	1		Decal, Side Left (2x4)
9	0411-089	1		Decal, Warning - Tire Pressure (2x4)
10	0411-086	1		Decal, Shift Pattern
11	0411-083	1		Decal, Warning - Rear Rack Load
12	0411-043	1	/P	Decal, "Arctic Cat"
13	0411-142	1		Decal, Warning - Towing
14	0411-088	1		Decal, Hi/Low Range (2x4)



1998 ATV 300 2X4 (98A2C-1998)  
DIFFERENTIAL GEAR ASSEMBLY

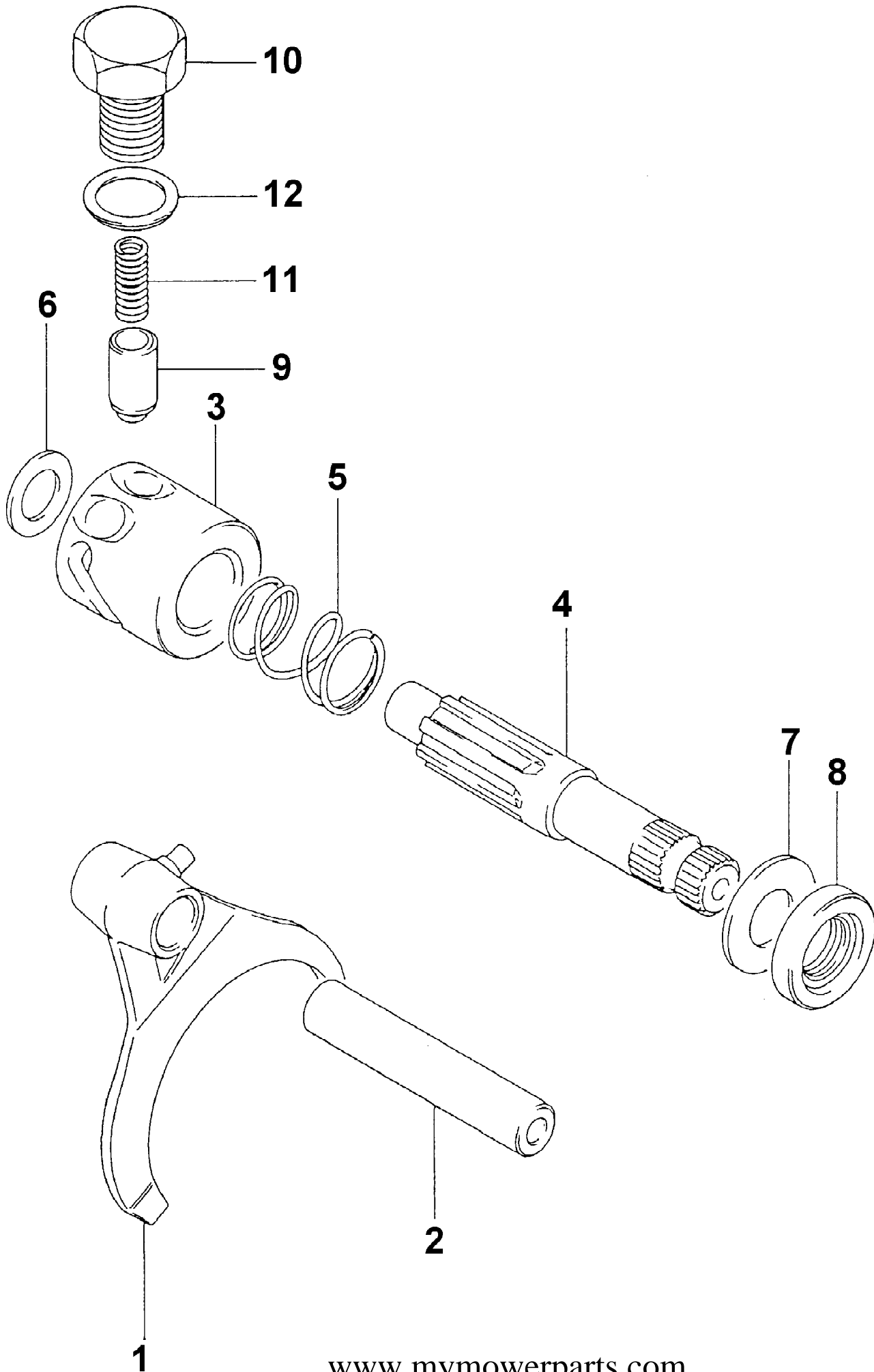
Page 28 of 83

Ref #	Part Number	Qty	S/P/F	Description
	3502-001	1	S	Complete Assembly
1	3435-068	1		Gear, Front Drive Bevel
2	3402-016	1		Spacer
3	3402-065	1		Bearing, Front
4	3402-066	1	/P	Bearing, Rear
5	3402-059	1		Bearing
6	3435-076	1		Case, Differential
7	3435-071	2		Pinion, Differential Side
8	3435-072	1		Gear, Right
9	3435-080	1		Gear, Left
10	3435-073	1		Shaft, Pinion
11	3435-070	1		Hub
12	3435-074	1	S	Shaft, Driven Output
13	3423-294	0		Washer
13	3423-295	0		Washer
13	3423-296	0		Washer
14	3423-297	1		Washer
15	3423-293	2		Washer
16	3402-309	1		Pin, Pinion Shaft
17	3423-309	6		Screw, Cap
18	3435-077	1		Housing, Differential Gear (inc. 19)
19	3402-084	1		Union, Breather
20	3435-021	1		Housing, Drive Bevel Gear
21	3423-317	1		Washer
22	3435-017	1		Shim Set, Front Drive Bevel Gear
23	3435-020	1		Shim Set, Drive Gear Bearing
24	3435-020	1		Shim Set, Front Drive Bevel Housing
25	3423-064	1		O-Ring
26	3423-050	1		O-Ring
27	3435-078	1		Case, Driven Gear Bearing
28	3435-079	1		Cover
29	3402-185	1		Bearing, Left
30	3402-057	1		Bearing, Right
31	3402-072	3		Seal, Oil
32	3402-323	1		Gasket, Case Cover
33	3423-010	2	/P	Screw, Cap
34	3423-175	11	S	Screw, Cap
35	0693-327	2	S	Screw, Cap
36	3004-756	2	S	Screw, Cap
37	3005-206	2	/P	Pin
38	3435-009	1	S	Flange, Drive Bevel Gear (inc. 39-42)
39	3423-034	1		Plate
40	3435-029	1		Collar
41	3435-030	1		Plate, Oil Seal
42	3423-060	1		O-Ring
43	3423-178	1	/P	Nut
44	3423-028	1		Washer
45	3402-036	1	S	Plug, Drain
46	3402-012	1		Gasket
47	3402-038	1		Plug, Filler
48	3423-054	1		O-Ring
49	0402-147	1	S/F	Bladder, Case
50	0123-811	1	F	Tire, Cabin

1998 ATV 300 2X4 (98A2C-1998)  
DIFFERENTIAL GEAR ASSEMBLY

Ref #	Part Number	Qty	S/P/F	Description
51	3435-075	1		Dog
52	3423-341	2		Nut
53	3423-070	2		Circlip
54	3435-069	1		Gear, Front Driven Bevel

1998 ATV 300 2X4 (98A2C-1998)  
DIFFERENTIAL LOCK ASSEMBLY

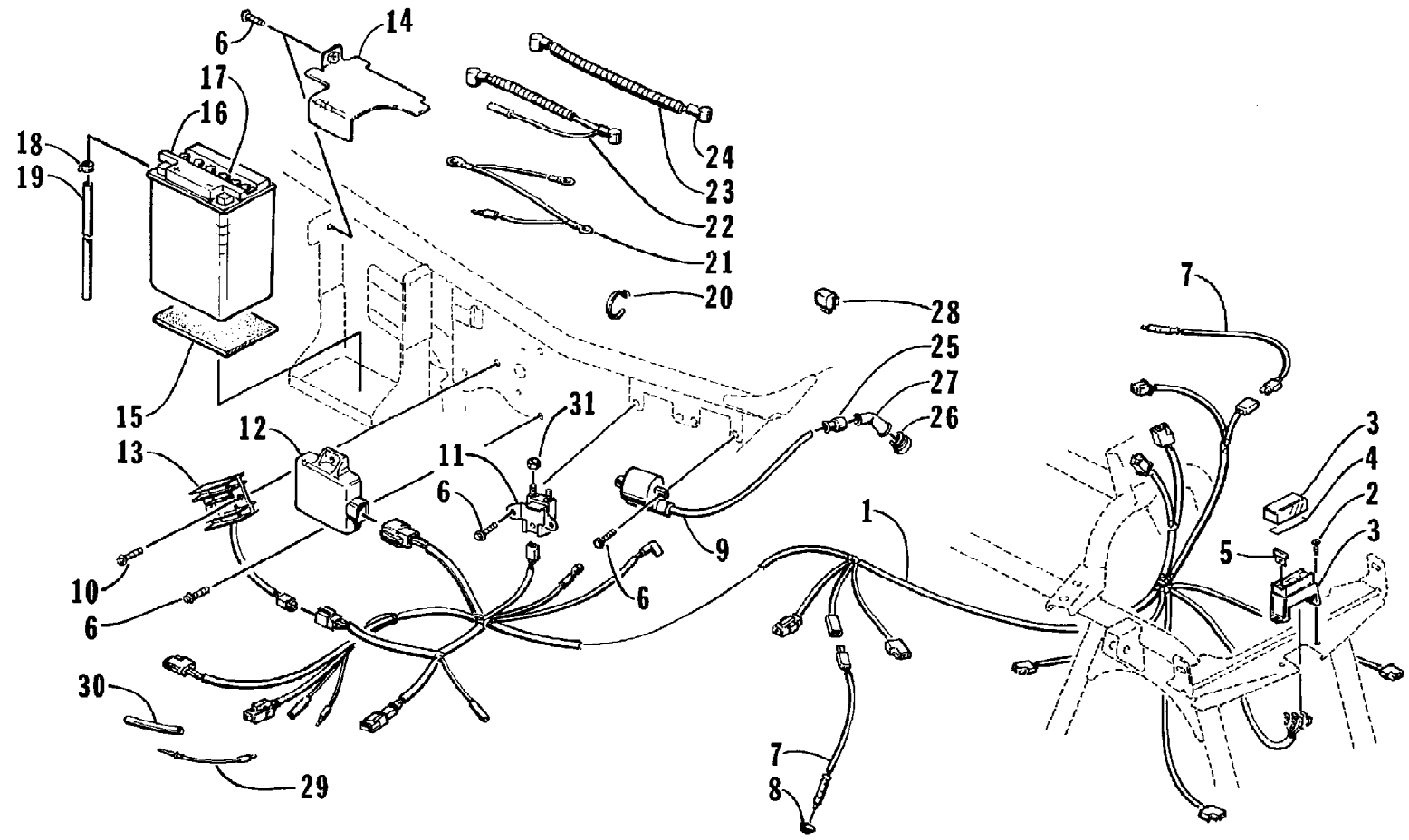


1998 ATV 300 2X4 (98A2C-1998)  
DIFFERENTIAL LOCK ASSEMBLY

Page 31 of 83

Ref #	Part Number	Qty	S/P/F	Description
1	3446-205	1		Fork, Differential Locking
2	3446-202	1		Shaft, Fork
3	3446-203	1		Cam, Differential Locking
4	3446-204	1		Shaft, Cam
5	3402-311	1		Spring
6	3423-300	1		Washer, Right
7	3423-339	1		Washer, Left
8	3402-076	1		Seal, Oil
9	3446-119	1	/P	Stopper
10	3446-046	1		Housing
11	3402-089	1		Spring
12	3402-012	1		Gasket

1998 ATV 300 2X4 (98A2C-1998)  
ELECTRICAL COMPONENTS

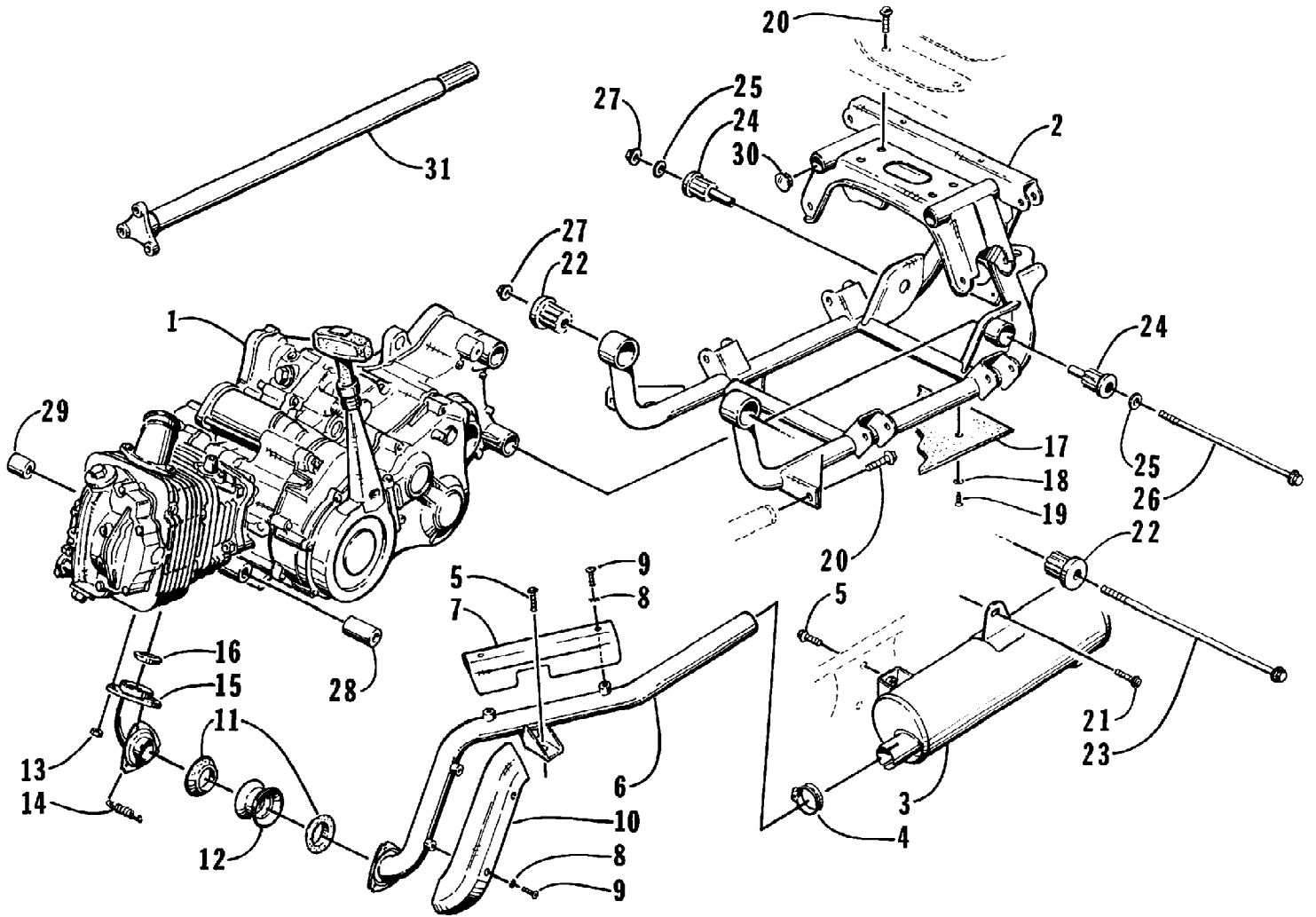




1998 ATV 300 2X4 (98A2C-1998)  
ELECTRICAL COMPONENTS

Page 33 of 83

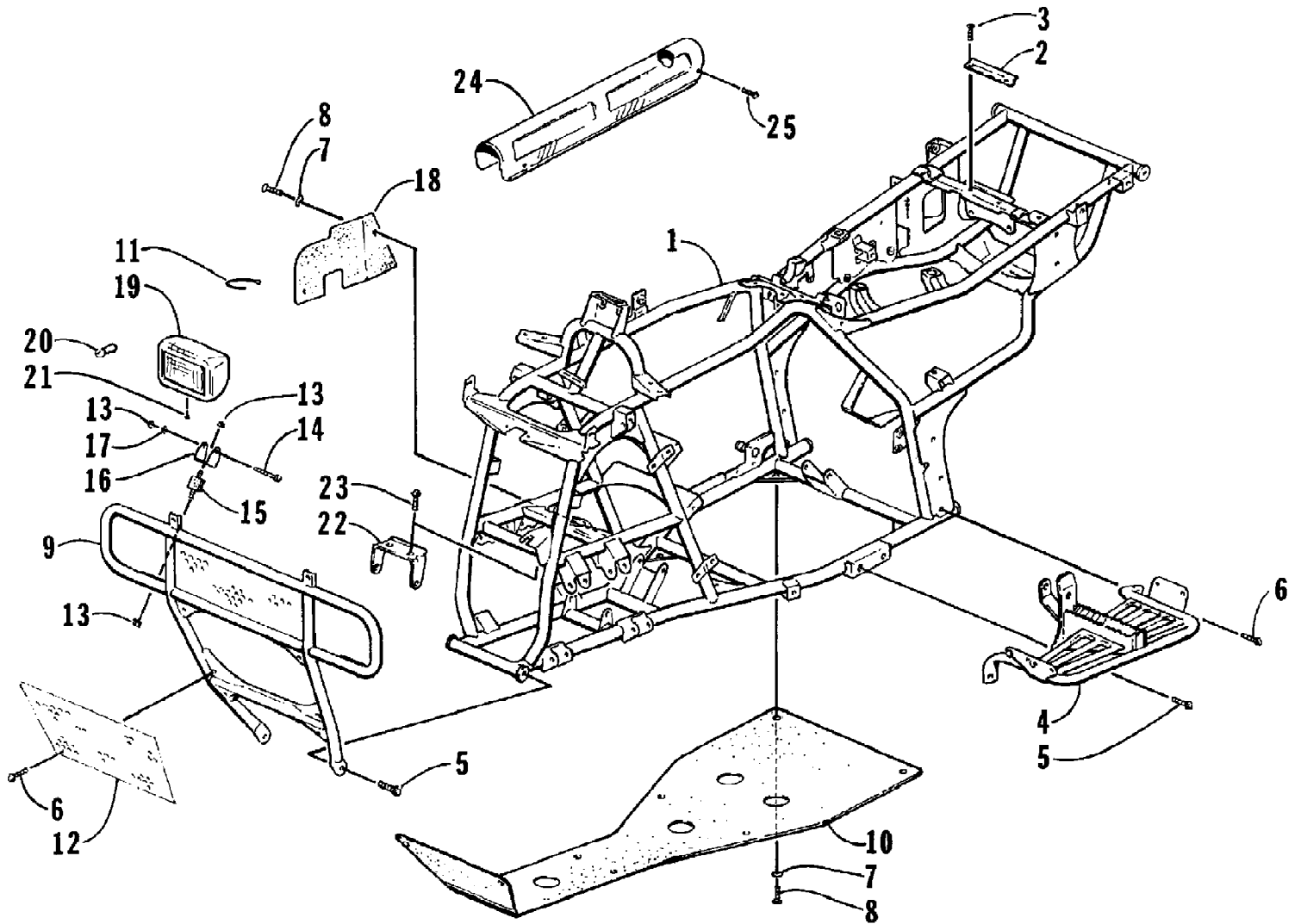
Ref #	Part Number	Qty	S/P/F	Description
1	0486-014	1	S	Harness, Main
2	0623-361	2		Screw, Self-Tapping
3	0530-003	1		Fuse Box Assembly
4	0411-084	1		Decal, Fuse Box
5	0630-057	3		Fuse, 10 AMP
6	8476-616	7		Screw, Cap
7	0409-009	2		Switch, Brake
8	0402-168	1	/P	Retainer, Switch
9	3530-012	1	/P	Coil, Ignition
10	8476-620	2		Screw, Cap
11	3530-013	1	/P	Relay, Starter
12	3530-011	1		CDI Unit
13	3530-014	1	/P	Regulator, Voltage
14	0506-254	1	S	Bracket, Battery
15	0406-380	1		Pad, Battery
16	0645-063	1	S	Battery (inc. 17-19)
17	0645-045	6		Cap, Battery
18	0645-152	1		Clamp, Hose
19	0645-263	1	/P	Hose, Battery Vent
20	0123-788	0	/P	Tie, Cable
21	0445-010	1		Cable, Battery - Ground
22	0445-011	1		Cable, Battery - Relay
23	0445-012	1		Cable, Battery - Starter
24	0645-019	4		Bolt, Terminal - Battery
25	3430-009	1	/P	Seal, High Tension Cord
26	3430-026	1		Seal, Spark Plug
27	3430-007	1	/P	Cap, Spark Plug
28	3530-008	1	S	Relay, Neutral Start
29	0486-012	1		Harness, Neutral Jumper
30	0486-013	1		Tube, Heat Spring
31	0624-250	2		Nut, Starter Relay



1998 ATV 300 2X4 (98A2C-1998)  
ENGINE AND RELATED PARTS

Page 35 of 83

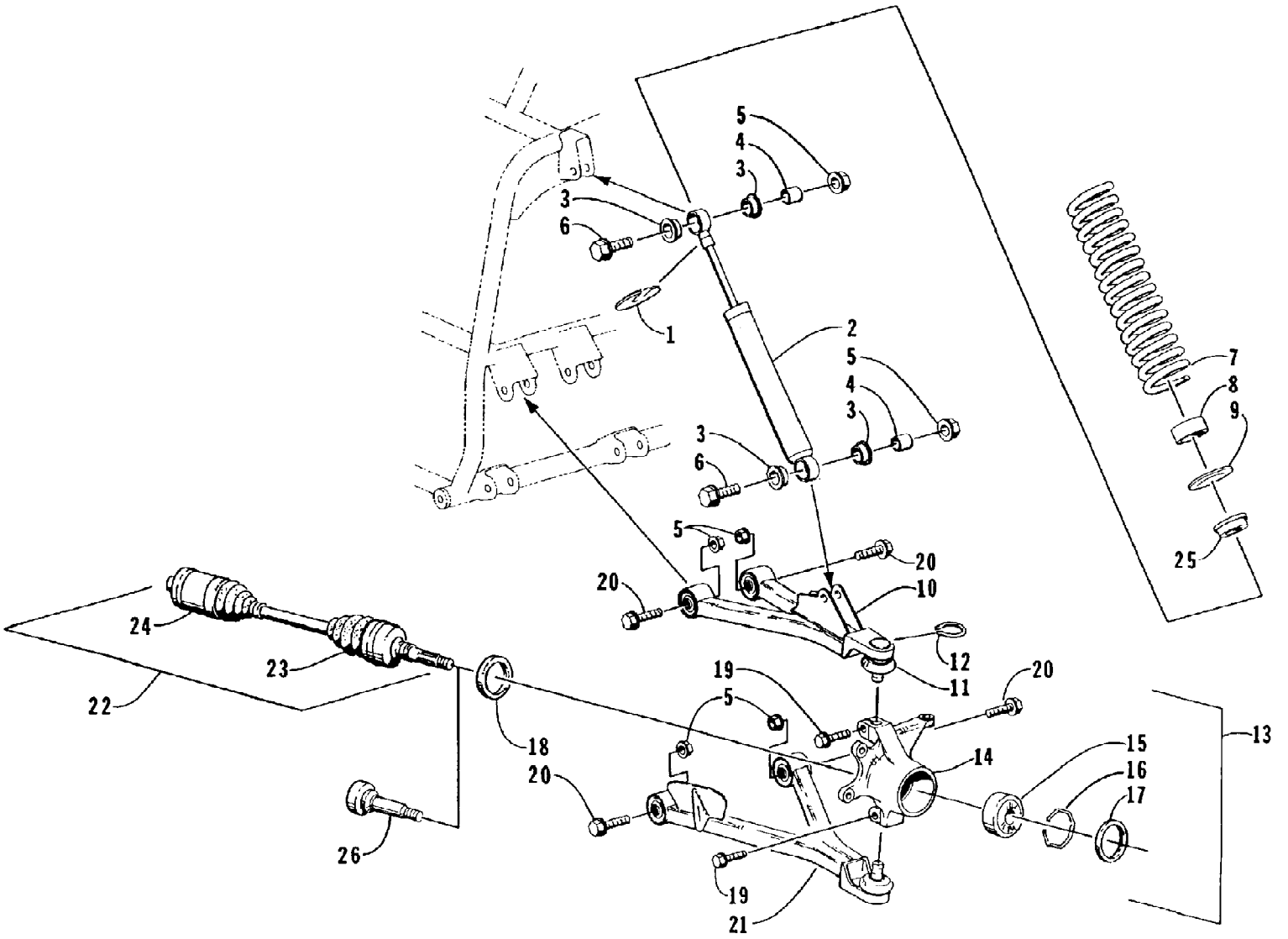
Ref #	Part Number	Qty	S/P/F	Description
1	0462-005	1		Engine (2x4)
2	0506-301	1	/P	Frame, Sub (inc. 32)
3	0436-182	1	/P	Muffler
4	0423-092	1		Clamp, Exhaust
5	8408-812	2		Screw, Cap
6	0512-004	1		Pipe, Exhaust
7	0412-024	1		Cover, Exhaust - Rear
8	8053-211	4	S	Washer, Lock
9	8477-610	4		Screw, Cap
10	0412-023	1		Cover, Exhaust
11	0612-887	2	/P	Gasket, Exhaust
12	0412-031	1	S	Coupler, Exhaust
13	8424-802	2		Nut
14	0123-321	3	/P	Spring, Extension
15	0512-008	1		Pipe, Header
16	3402-300	1		Seal, Exhaust Pipe
17	0406-344	1	S	Panel, Belly - Subframe
18	0423-010	8		Washer, Shoulder
19	8474-616	8		Screw, Cap
20	8409-020	6	/P	Screw, Cap
21	8408-816	1		Screw, Cap
22	3402-264	2		Mount, Motor
23	3423-236	1	/P	Screw, Cap
24	3402-263	4		Mount, Motor
25	8050-272	4		Washer
26	3423-235	2	/P	Screw, Cap
27	8422-002	3		Nut
28	0402-231	1		Spacer, Engine Mount - Long
29	0402-232	1		Spacer, Engine Mount - Short
30	0406-320	2		Cap, Subframe
32	3402-232	4		Bushing, Sub Frame Engine Mount
33	8422-202	1	F	Nut, Engine Mount - Front



1998 ATV 300 2X4 (98A2C-1998)  
 FRAME AND RELATED PARTS

Page 37 of 83

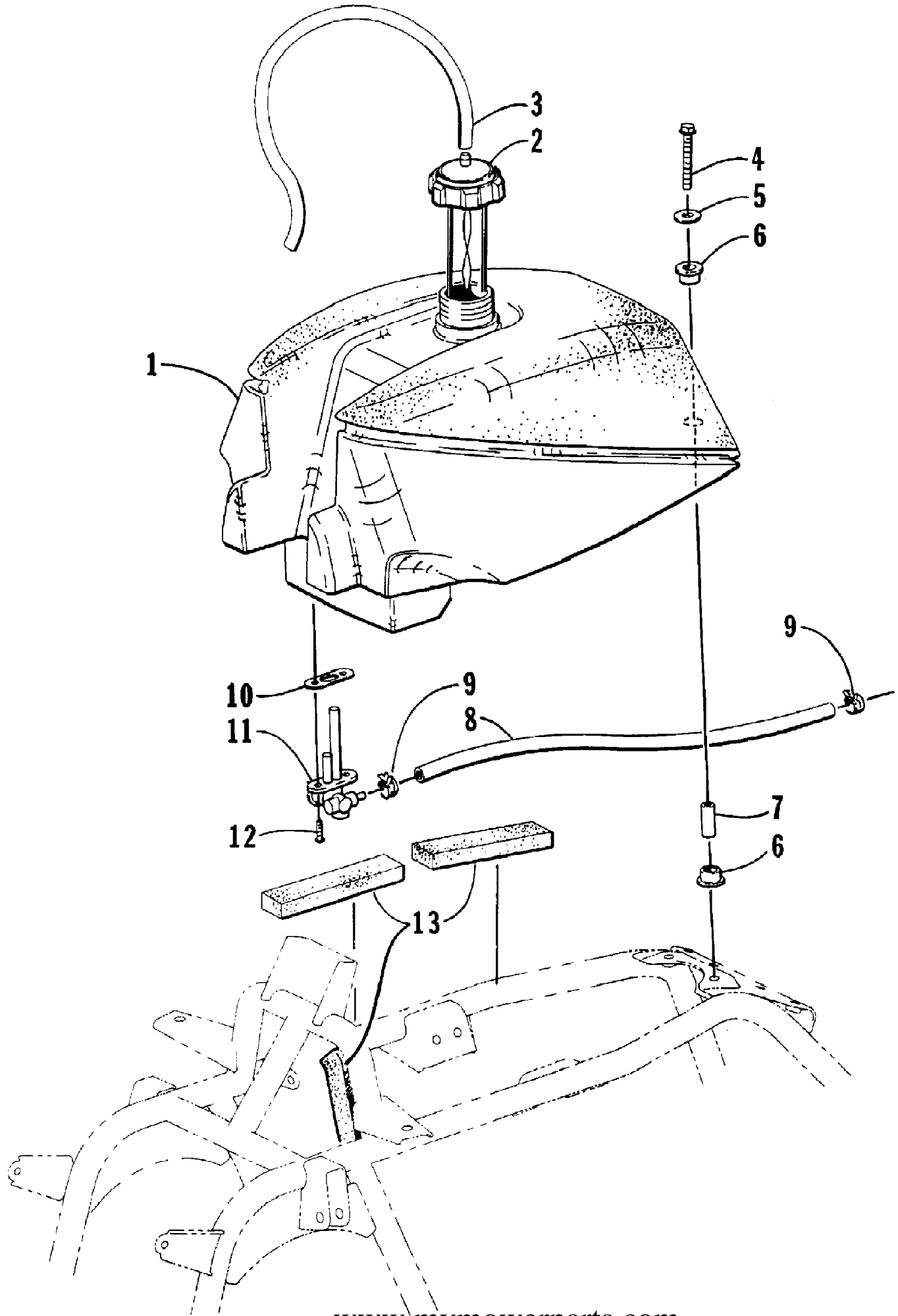
Ref #	Part Number	Qty	S/P/F	Description
1	0506-188	1	S	Frame, Main (2x4)
2	0406-372	1	S	Bracket, Body Holddown
3	8476-616	2		Screw, Machine
4	0506-176	1	S	Footrest - Right
4	0506-217	1		Footrest - Left
5	8409-020	6	/P	Screw, Cap
6	8408-816	8		Screw, Cap
7	0423-010	12		Washer, Shoulder
8	8474-616	12		Screw, Machine
9	0506-192	1		Guard, Brush
10	0406-354	1	/P	Panel, Belly
11	0123-788	6	/P	Tie, Cable
12	0406-175	1		Screen, Bumper - Lower
13	8424-802	6		Nut
14	8408-850	2		Screw, Cap
15	0406-262	2	S	Mount, Headlight
16	0406-261	2		Yoke, Headlight
17	8053-242	2	/P	Washer, Lock
18	0406-300	2		Panel, Inner Fender
19	0409-001	2		Headlight Assembly (inc. 20-21)
20	0409-005	2		Bulb, Headlight
21	0123-950	2		Screw, Machine



1998 ATV 300 2X4 (98A2C-1998)  
FRONT SUSPENSION ASSEMBLY

Page 39 of 83

Ref #	Part Number	Qty	S/P/F	Description
1	0603-033	2	S	Retainer, Spring
2	0403-036	2		Shock Absorber - Front (inc. 3-4) (2x4)
3	0604-310	8		Bushing, Shock Absorber
4	0403-028	4		Sleeve, Shock
5	8428-002	12		Nut, Lock
6	8409-040	4		Screw, Cap
7	0403-037	2		Spring, Shock Absorber (2x4)
8	0403-025	2	/P	Collar, Spring
9	0403-013	2		Washer, Spring
10	0503-026	1	S/P	A-Arm, Upper Right - Assembly (inc. 11-12)
10	0503-027	1	S/P	A-Arm, Upper Left - Assembly (inc. 11-12)
11	0405-001	4	S	Ball Joint - Front
12	0423-009	4	/P	Clip, Ball Joint
13	0505-026	1	S/P	Knuckle - Assembly - Right (inc. 14-18)
13	0505-027	1	S/P	Knuckle - Assembly - Left (inc. 14-18)
14	0505-024	1	S	Knuckle, Steering - Right
14	0505-025	1	S	Knuckle, Steering - Left
15	0402-085	2	S	Bearing, Wheel Hub - Front
16	0423-034	2		Clip, Bearing
17	0402-089	2		Seal, Wheel Bearing - Front
18	0402-069	2		Seal, Wheel Bearing - Front
19	8409-030	4		Screw, Cap
20	8409-060	8		Screw, Cap
21	0503-036	1	S	A-Arm, Lower Right (inc. 11-12) (2x4)
21	0503-037	1	S	A-Arm, Lower Left (inc. 11-12) (2x4)
25	0403-027	2		Retainer, Spring - Lower
26	0402-183	2		Axle, Stub (2x4)



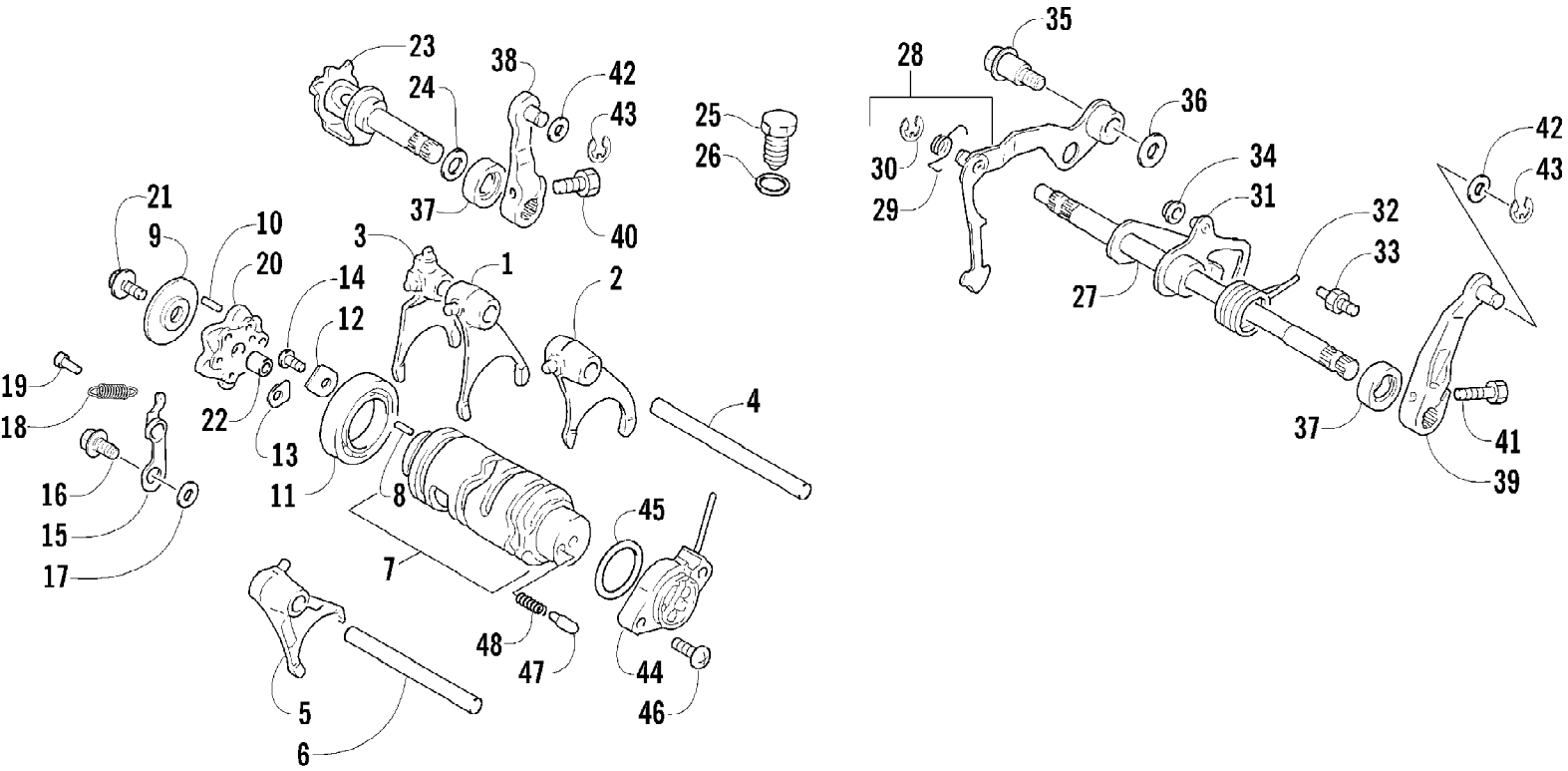


1998 ATV 300 2X4 (98A2C-1998)  
FUEL TANK ASSEMBLY

Page 41 of 83

Ref #	Part Number	Qty	S/P/F	Description
1	0570-014	1	/P	Tank, Fuel (inc. 2-3 and 6-12)
2	0470-315	1	S	Cap, Fuel Tank (inc. 3)
3	0470-316	1		Line, Fuel Cap Vent
4	8476-650	2		Screw, Cap
5	0623-184	2		Washer
6	0406-169	4		Bushing, Fuel Tank Mount
7	0406-170	2		Collar, Fuel Tank Mount
8	0610-007	0	/P	Line, Fuel
9	0423-048	2		Clamp, Hose - Spring
10	0470-364	1		Gasket, Fuel
11	0470-357	1	S	Valve, Shut-Off (inc. 10)
12	8471-616	2		Screw, Cap
13	0417-001	7		Pad, Fuel Tank

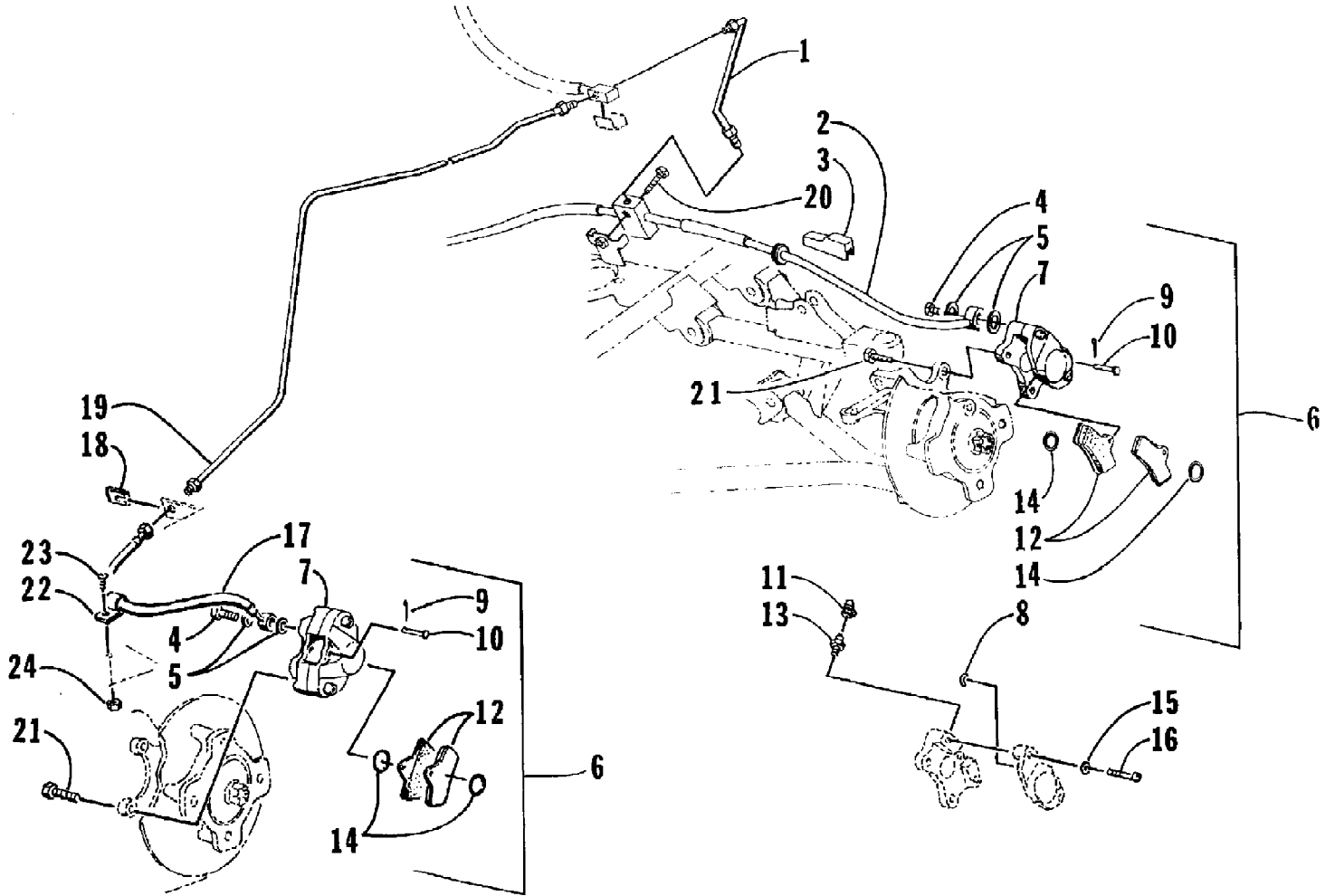
1998 ATV 300 2X4 (98A2C-1998)  
GEAR SHIFTING ASSEMBLY



1998 ATV 300 2X4 (98A2C-1998)  
GEAR SHIFTING ASSEMBLY

Page 43 of 83

Ref #	Part Number	Qty	S/P/F	Description
1	3446-155	1		Fork, Gear Shifting
2	3446-156	1		Fork, Gear Shifting
3	3446-159	1		Fork, Gear Shifting
4	3446-167	1		Shaft
5	3446-157	1		Fork, Gear Shifting
6	3446-051	1		Shaft
7	3446-160	1		Cam, Gear Shifting (inc. 8)
8	3423-114	1	/P	Pin
9	3446-162	1		Retainer, Pin
10	3423-045	6		Pin
11	3402-051	1		Bearing
12	3446-163	1		Retainer
13	3446-031	1	/P	Retainer
14	3004-552	2	S	Screw, Cap
15	3446-165	1		Stopper, Cam
16	3423-240	1		Screw, Cap
17	3423-141	1		Washer
18	3402-240	1		Spring
19	3423-268	1		Pin
20	3446-166	1		Plate, Stopper
21	3004-376	1	S/P	Screw, Cap
22	3005-206	1	/P	Pin
23	3446-161	1		Cam, Reverse Shifting
24	3423-322	1		Washer
25	3446-164	1		Stopper, Cam
26	3402-012	1		Gasket
27	3446-169	1		Shaft, Gear Shifting
28	3446-170	1		Arm, Gear Shifting (inc. 29-30)
29	3402-312	1		Spring
30	3423-323	1		E-Ring
31	3446-171	1		Arm, Link
32	3402-094	1		Spring
33	3446-172	1		Stopper, Arm
34	3402-132	1		Roller
35	3423-233	1		Screw, Cap
36	3423-324	1		Washer
37	3402-076	2		Seal, Oil
38	3446-055	1		Arm
39	3446-115	1		Arm, Gear Shifting Cable
40	3423-125	1	S	Screw, Cap
41	3423-228	1		Screw, Cap
42	3423-204	2	/P	Washer
43	3423-168	2	S	E-Ring
44	3430-032	1	S	Base, Gear Shift-Assembly
45	3423-273	1		O-Ring
46	3423-325	2	S	Screw, Cap
47	3423-044	1		Contact
48	3402-087	1		Spring

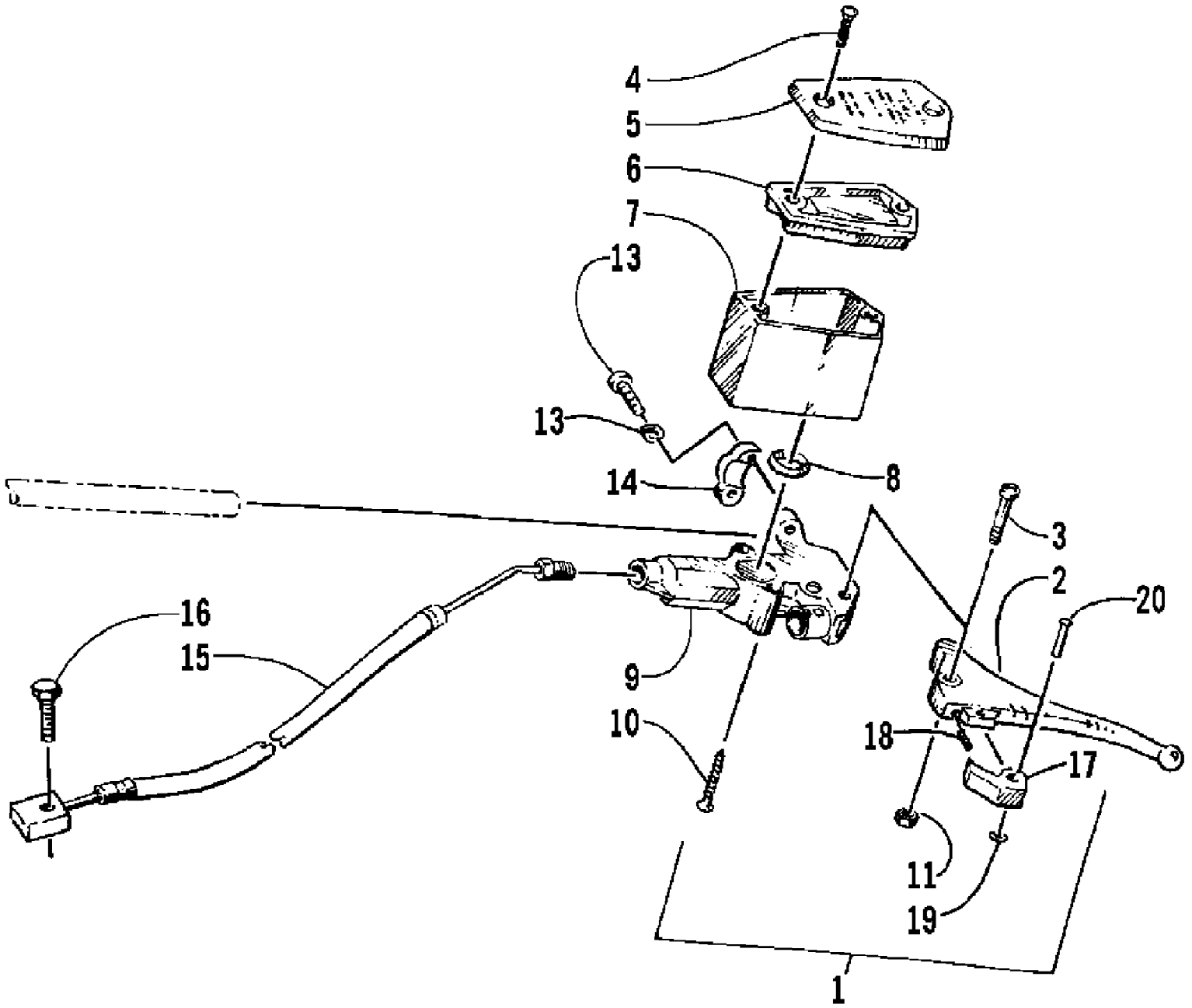


1998 ATV 300 2X4 (98A2C-1998)  
HYDRAULIC BRAKE ASSEMBLY

Page 45 of 83

Ref #	Part Number	Qty	S/P/F	Description
1	0402-053	1		Tube, Brake Line - Front
2	0402-051	1	S	Hose, Brake - Front
3	0402-073	2		Block, Mounting
4	0423-038	3	S	Bolt, Oil
5	0423-039	6		Washer, Crush
6	0402-010	1	/P	Caliper, Brake - Right Front (inc. 7-13 and two No. 14-16)
6	0402-011	2	/P	Caliper, Brake - Left Front and Rear (inc. 7-13 and two No. 14-16)
7	0	3	F	Housing, Caliper
8	0402-164	3		O-Ring
9	0117-868	3		Pin, Cotter
10	0402-142	3		Pin, Hydraulic Brake Caliper
11	0402-143	3		Cap, Bleeder Valve
12	0402-096	6	S	Pad, Hydraulic Brake
13	0402-167	3		Valve, Bleeder
14	0402-141	6		O-Ring, Hydraulic Brake Caliper
15	0402-165	6		Washer
16	0402-166	6	S	Screw, Socket Head
17	0402-254	1	S	Hose, Brake - Rear
18	0402-115	1	S	Clip, Brake Line
19	0402-170	1		Tube, Brake Line - Rear
20	8476-625	1		Screw, Cap
21	8408-825	6		Screw, Cap
22	0123-269	1		Clamp, Cable
23	8476-612	1		Screw, Machine
24	0624-250	1		Nut

1998 ATV 300 2X4 (98A2C-1998)  
HYDRAULIC BRAKE CONTROL ASSEMBLY



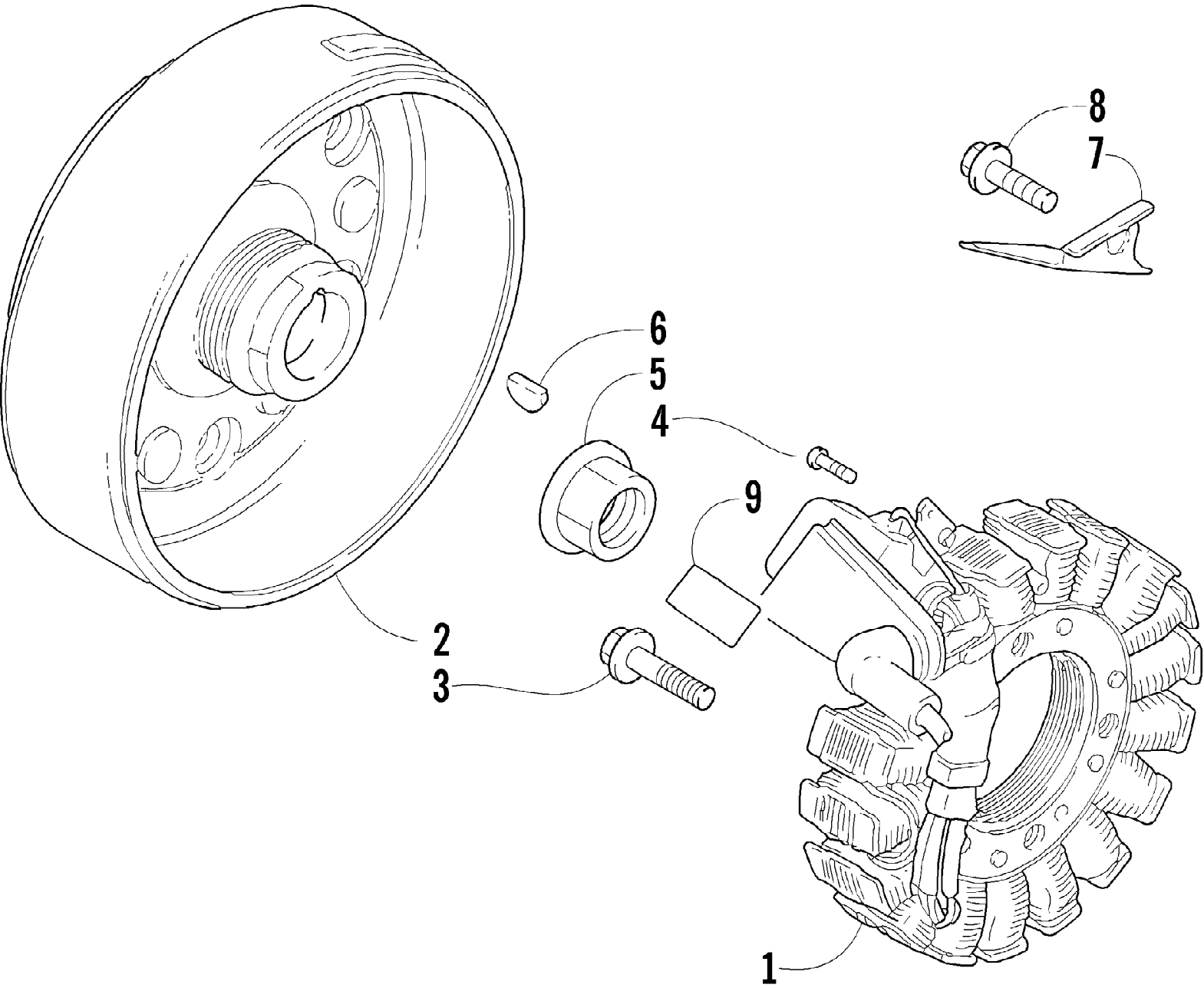
1998 ATV 300 2X4 (98A2C-1998)

Page 47 of 83

## HYDRAULIC BRAKE CONTROL ASSEMBLY

Ref #	Part Number	Qty	S/P/F	Description
1	0502-061	1	S	Brake, Lever - Assembly (inc. 2-14 and 17-20)
2	0402-242	1	S	Lever, Brake
3	0623-430	1	/P	Bolt, Lever Mounting
4	0623-506	2		Screw, Cover - Master Cylinder
5	0602-742	1		Cover, Master Cylinder
6	0602-741	1		Gasket, Cover - Master Cylinder
7	0602-740	1		Reservoir, Hydraulic Brake
8	0602-587	1		O-Ring, Reservoir
9	0	1	F	Master Cylinder
10	0623-432	2		Screw, Reservoir Mount
11	0623-056	1		Nut, Lock
12	8052-212	2		Washer, Lock
13	0623-629	2	S	Screw, Clamp
14	0602-907	1		Clamp
15	0402-050	1	S	Hose, Master Cylinder
16	8476-625	1		Screw, Cap
17	0402-240	1	S	Wedge, Parking Brake
18	0402-245	1		Spring
19	0423-090	1		Nut, Press
20	0402-246	1		Pin

1998 ATV 300 2X4 (98A2C-1998)  
MAGNETO ASSEMBLY

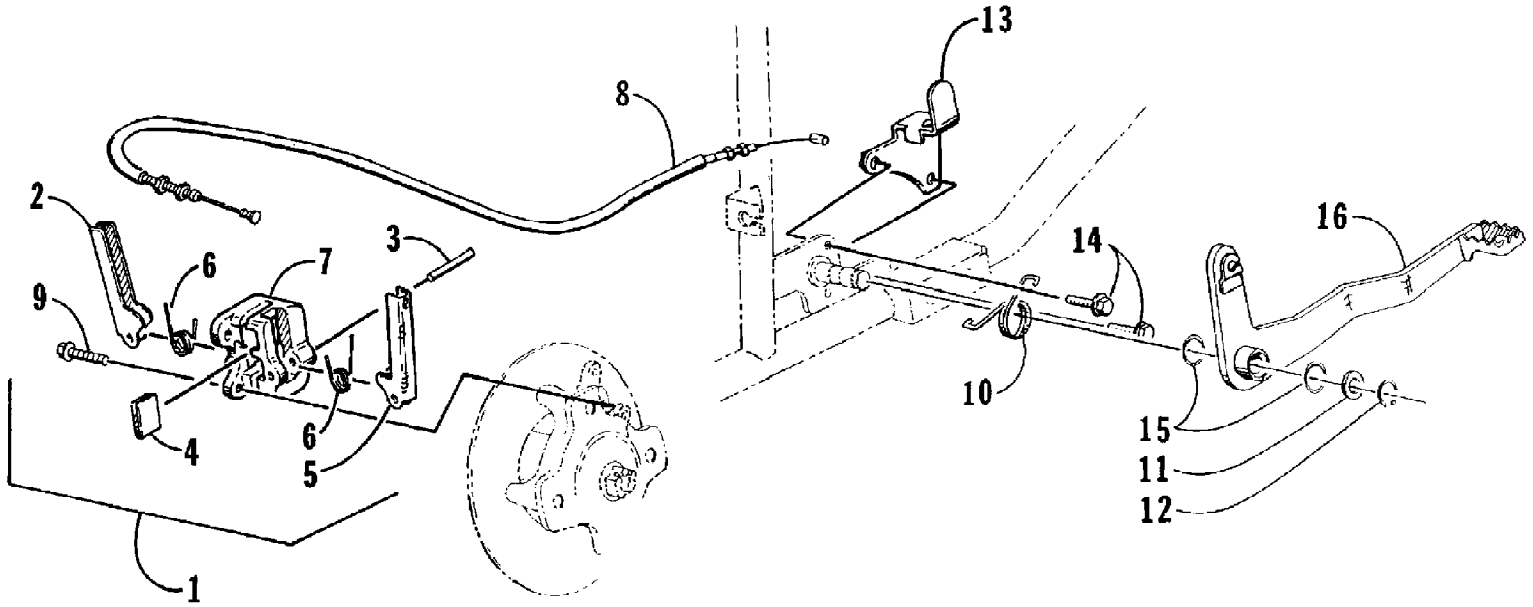




1998 ATV 300 2X4 (98A2C-1998)  
MAGNETO ASSEMBLY

Page 49 of 83

Ref #	Part Number	Qty	S/P/F	Description
1	3430-021	1	S	Stator - Assembly
2	3430-022	1		Rotor
3	3004-756	3	S	Bolt, Magneto
4	3423-326	2	S	Screw, Cap
5	3423-086	1		Nut, Magneto
6	3004-540	1	/P	Key
7	3430-023	1		Plate
8	3423-112	1	S	Screw, Cap
9	3430-036	1		Sheet, Heat Protection

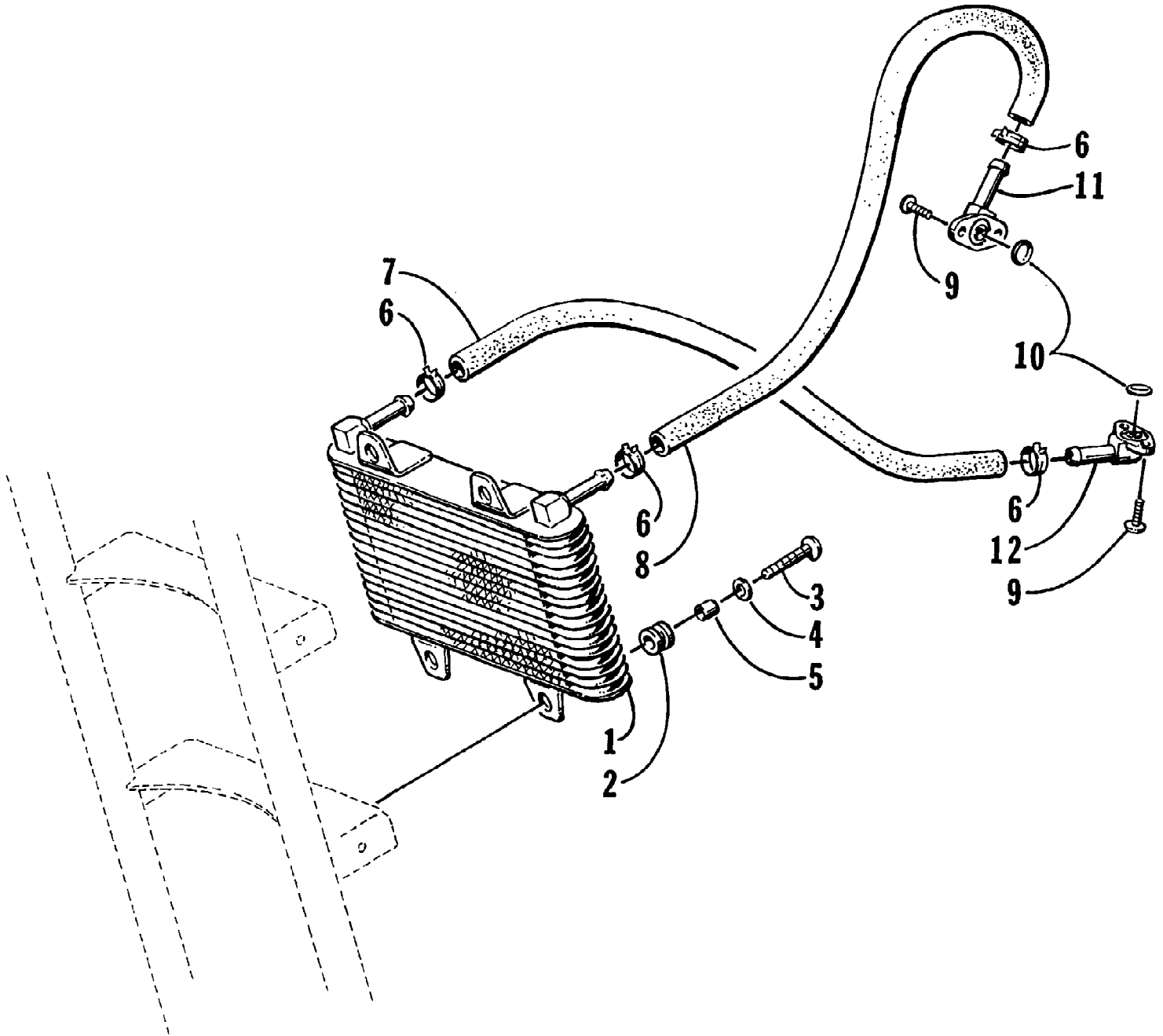


1998 ATV 300 2X4 (98A2C-1998)  
MECHANICAL BRAKE ASSEMBLY

Page 51 of 83

Ref #	Part Number	Qty	S/P/F	Description
1	0502-048	1	S	Mechanical Brake - Assembly (inc. 2-7)
2	0	1	F	Arm, Inner
3	0	2	F	Pin, Arm
4	0402-210	2	S	Pad, Mechanical Brake
5	0	1	F	Arm, Outer
6	0	2	F	Spring, Arm
7	0	1	F	Housing, Mechanical Brake
8	0487-010	1		Cable, Brake - Rear
9	8408-825	2		Screw, Cap
10	0402-161	1	S/P	Spring, Foot Brake
11	0423-027	1		Washer, Brake Lever
12	0623-237	1	/P	Ring, Snap
13	0502-056	1		Bracket, Brake Switch
14	8476-616	2		Screw, Cap
15	0670-183	2		O-Ring
16	0502-024	1	S	Lever, Foot Brake

1998 ATV 300 2X4 (98A2C-1998)  
OIL COOLER ASSEMBLY

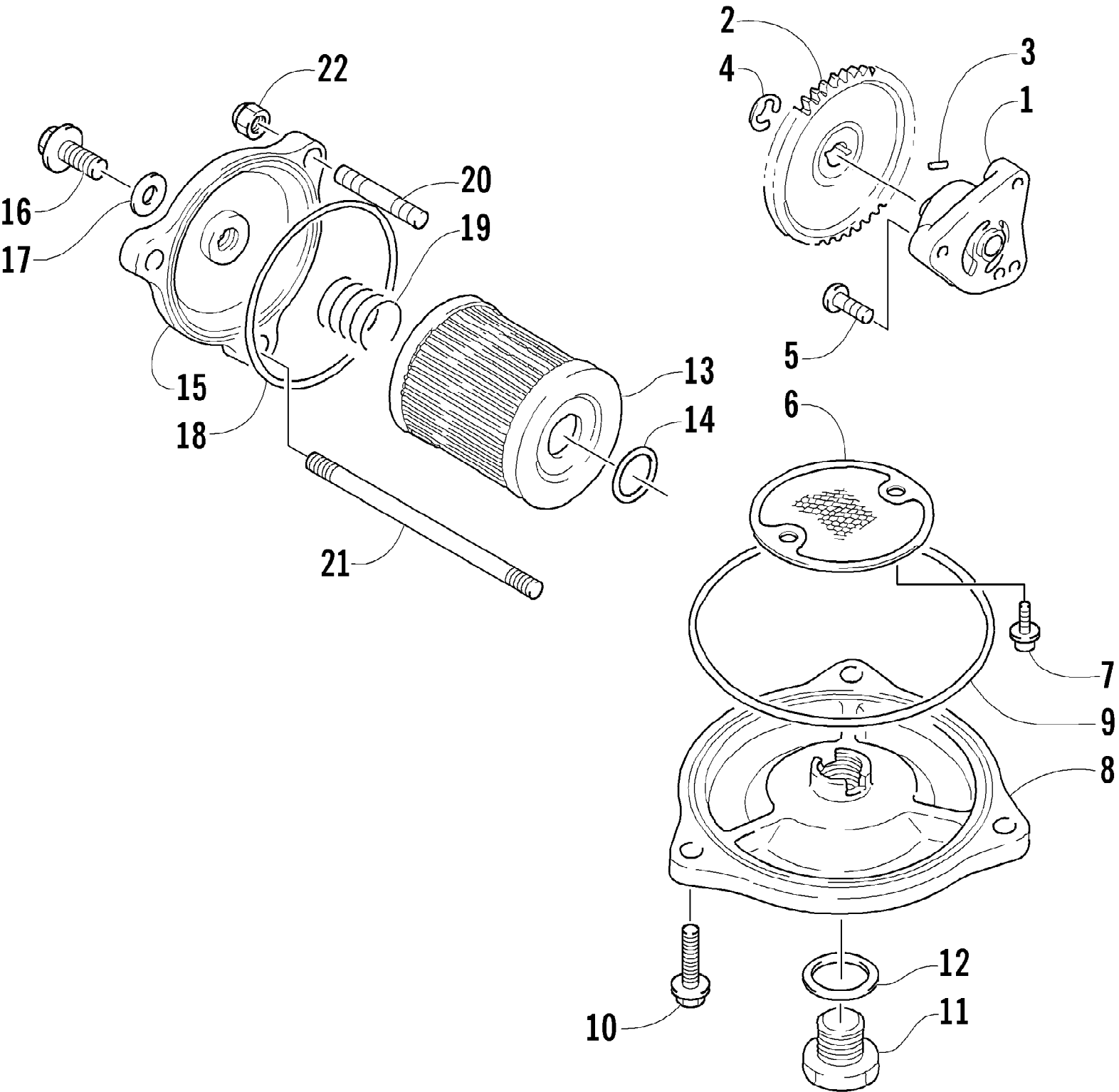


1998 ATV 300 2X4 (98A2C-1998)  
OIL COOLER ASSEMBLY

Page 53 of 83

Ref #	Part Number	Qty	S/P/F	Description
1	0486-014	1	S	Cooler, Oil
2	0423-086	4		Grommet
3	8476-620	4		Screw, Cap
4	8050-217	4	/P	Washer
5	0423-036	4		Collar
6	0423-098	4	/P	Clamp, Hose
7	0410-006	1		Hose, Oil - Output
8	0410-007	1		Hose, Oil - Input
9	8471-616	4		Screw, Cap
10	0423-089	2		O-Ring, Oil Fitting
11	0410-012	1		Fitting, Oil - Angled
12	0410-013	1		Fitting, Oil

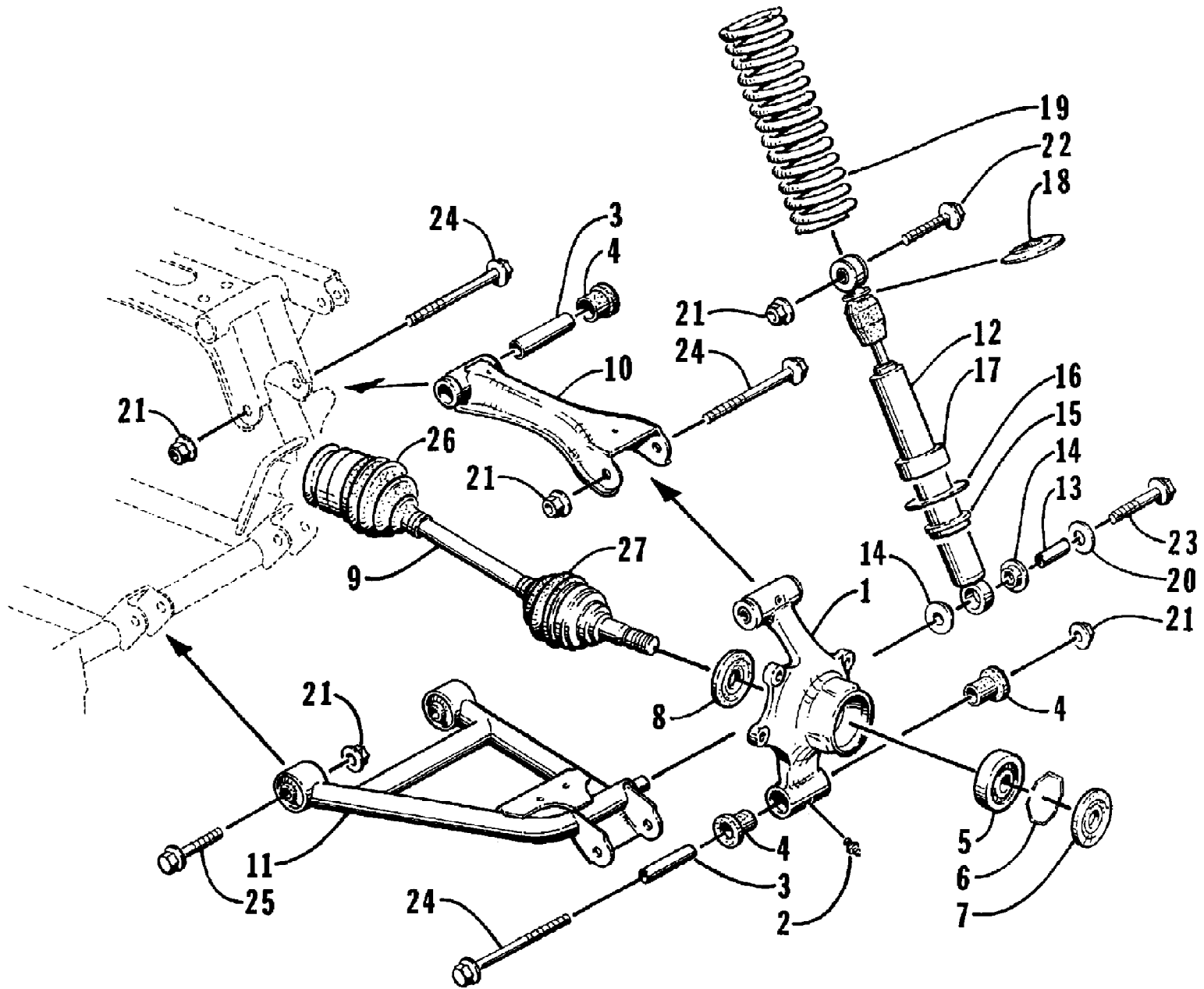
1998 ATV 300 2X4 (98A2C-1998)  
OIL PUMP ASSEMBLY



1998 ATV 300 2X4 (98A2C-1998)  
OIL PUMP ASSEMBLY

Page 55 of 83

Ref #	Part Number	Qty	S/P/F	Description
1	3445-017	1		Pump, Engine Oil
2	3402-302	1		Gear, Driven
3	3423-285	1		Pin
4	3423-168	1	S	Circlip
5	3004-402	3	S/P	Screw, Cap
6	3402-304	1		Strainer, Engine Oil
7	0693-389	2	S	Screw, Cap
8	3402-305	1		Cap, Oil Strainer
9	3423-278	1		O-Ring
10	3004-507	3	S	Screw, Cap
11	3402-036	1	S	Plug, Drain
12	3402-012	1		Gasket
13	3436-005	1		Filter, Engine Oil
14	3423-270	1		O-Ring
15	3402-303	1		Cap, Oil Filter
16	3004-705	1	S	Plug, Oil Check
17	3005-242	1		Gasket
18	3423-277	1		O-Ring
19	3402-238	1		Spring
20	3423-314	2	S	Bolt, Stud
21	3004-543	1	S	Bolt, Stud
22	3423-315	3	S	Nut

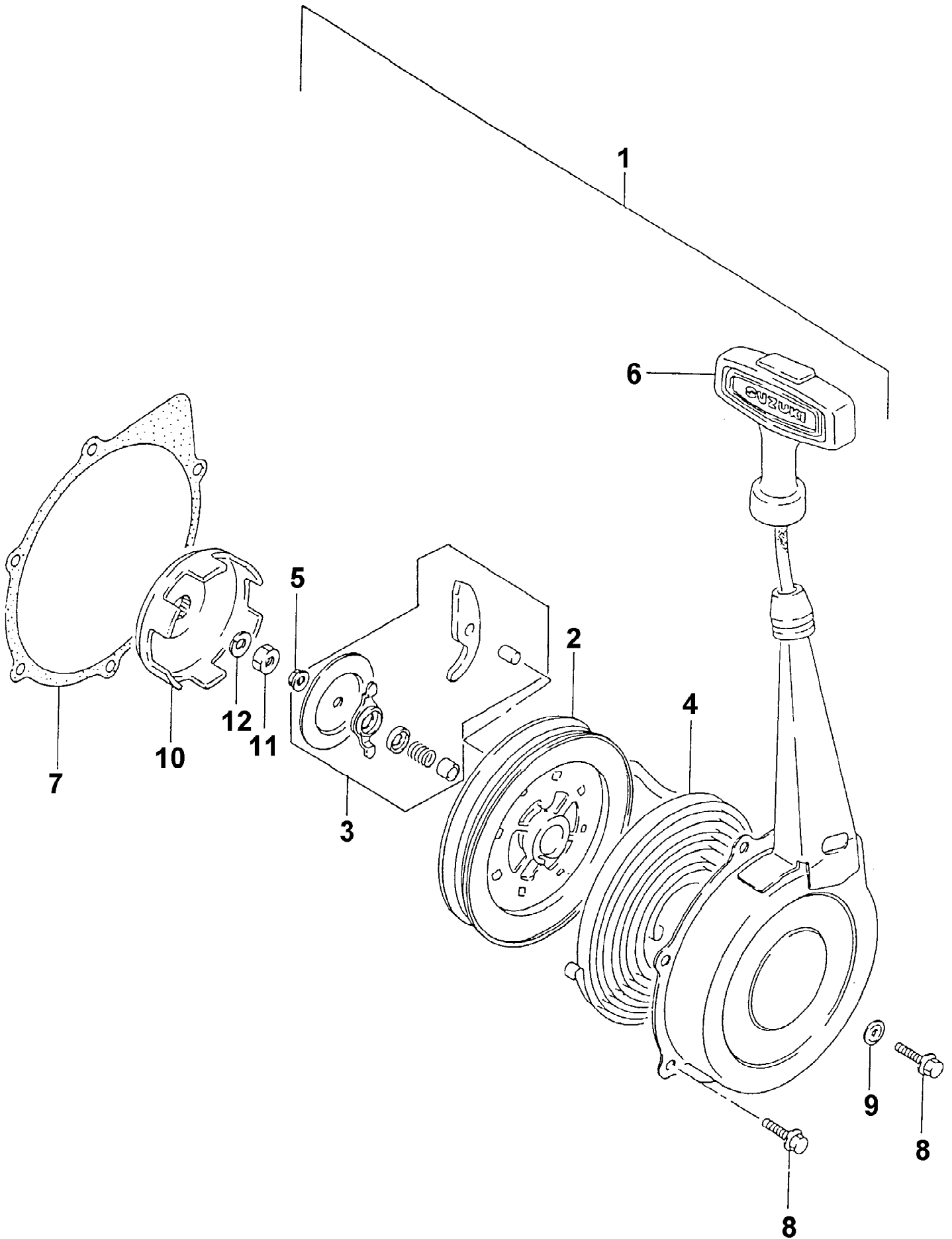




1998 ATV 300 2X4 (98A2C-1998)  
 REAR SUSPENSION ASSEMBLY

Page 57 of 83

Ref #	Part Number	Qty	S/P/F	Description
1	0504-032	2	S	Knuckle, Rear - Assembly (inc. 2)
2	0423-095	6		Fitting, Grease
3	0403-038	6	S/P	Collar, Suspension Bushing
4	0403-032	12	S	Bushing, Suspension
5	0402-085	2	S	Bearing, Wheel
6	0423-034	2		Clip, Bearing
7	0402-089	2		Seal
8	0402-069	2		Seal
9	0402-171	2	S	Axle, Drive
10	0504-029	2		Arm, Rear - Upper
11	0504-030	1		A-Arm, Rear - Lower Right
11	0504-031	1		A-Arm, Rear - Lower Left
12	0404-014	2		Shock Absorber - Rear
13	0403-028	4		Sleeve, Shock
14	0604-310	8		Bushing, Shock Absorber
15	0403-027	2		Retainer, Spring - Lower
16	0403-013	2		Washer, Spring Adjust
17	0403-025	2	/P	Collar, Spring
18	0603-033	2	S	Retainer, Spring
19	0403-002	2		Spring, Suspension
20	0423-087	2		Washer
21	8428-002	12		Nut, Lock
22	8409-040	2		Screw, Cap
23	8408-820	2	/P	Screw, Cap
24	8409-000	6		Screw, Cap
25	8409-060	4		Screw, Cap
26	0436-113	2	S	Repair Kit, Inner Boot - Rear Axle
27	0436-114	2	S	Repair Kit, Outer Boot - Rear Axle

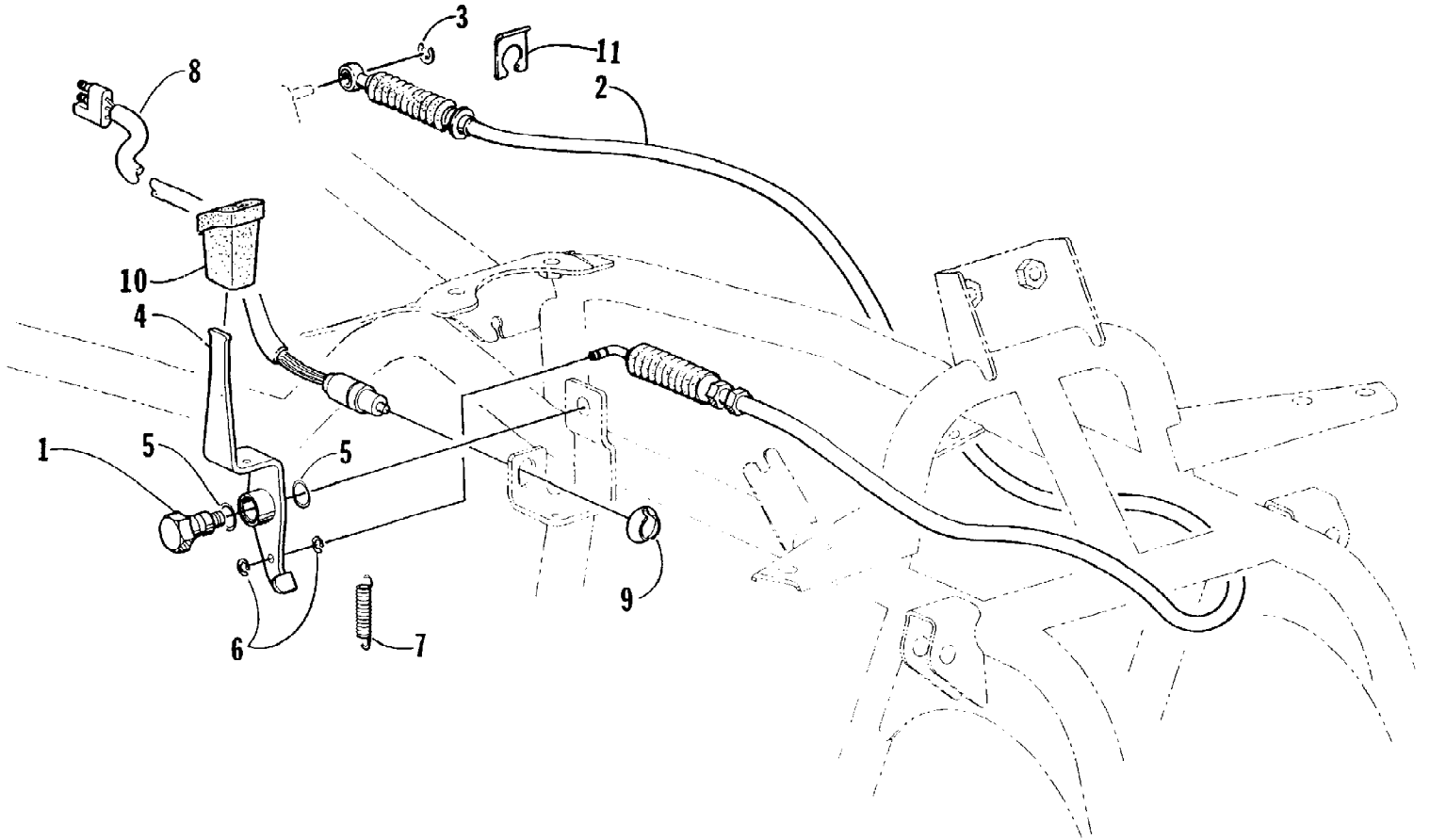


1998 ATV 300 2X4 (98A2C-1998)  
RECOIL STARTER ASSEMBLY

Page 59 of 83

Ref #	Part Number	Qty	S/P/F	Description
1	3445-018	1	S	Starter, Recoil - Assembly (inc. 2-6)
2	3445-019	1		Reel
3	3445-016	1		Ratchet - Assembly
4	3445-007	1		Spring, Spiral
5	3004-488	1	S/P	Nut
6	3445-020	1		Rope Assembly
7	3445-021	1	S	Gasket, Recoil
8	3423-112	6	S	Screw, Cap
9	3003-290	1	/P	Gasket
10	3445-022	1		Cup, Starter
11	3004-336	1	S/P	Nut
12	3004-362	1	S/P	Washer, Lock

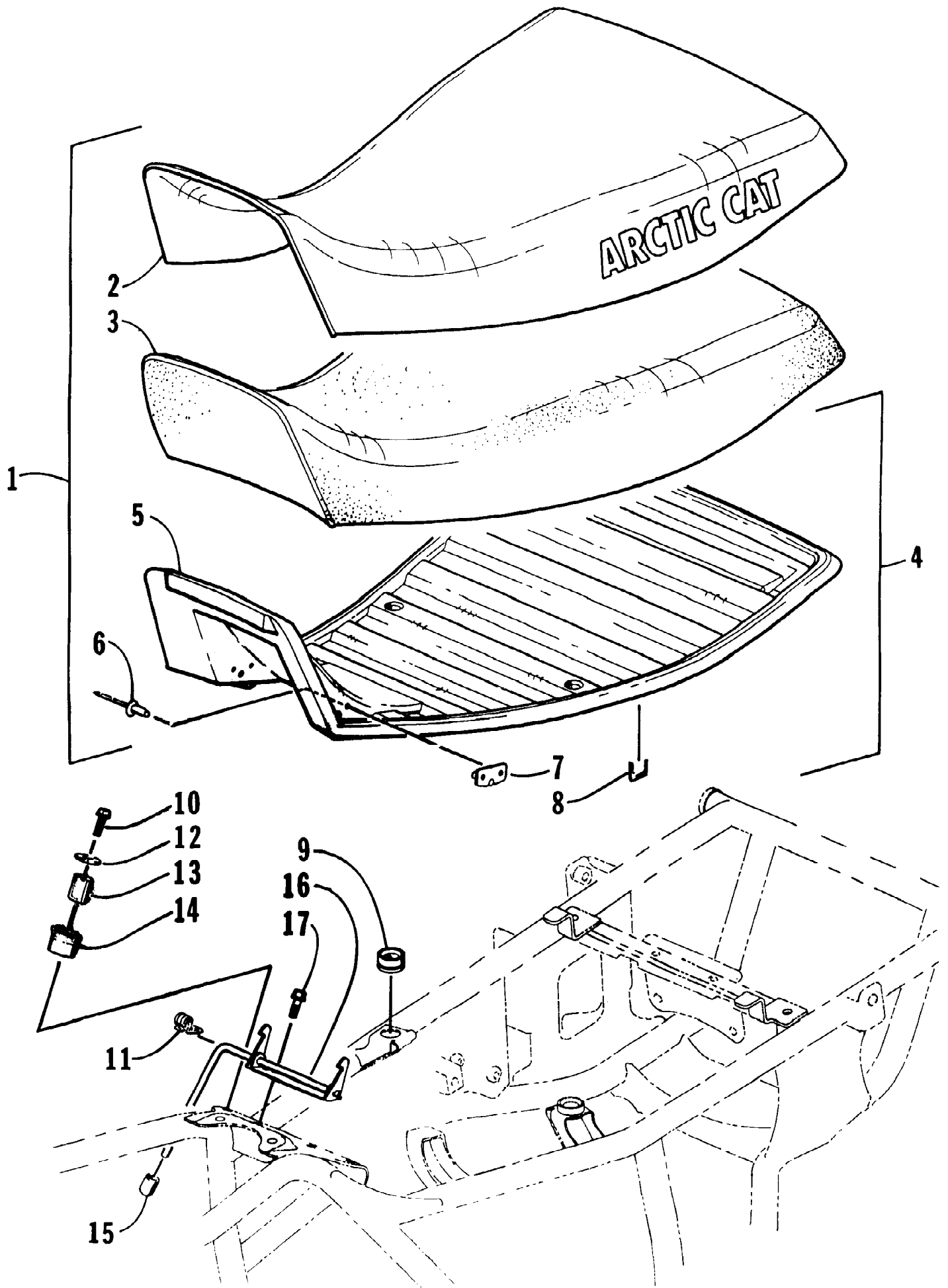
1998 ATV 300 2X4 (98A2C-1998)  
REVERSE SHIFT LEVER ASSEMBLY



1998 ATV 300 2X4 (98A2C-1998)  
REVERSE SHIFT LEVER ASSEMBLY

Page 61 of 83

Ref #	Part Number	Qty	S/P/F	Description
1	0402-239	1		Axle, Reverse Shift
2	0487-009	1		Cable, Shift
3	3423-168	1	S	E-Ring
4	0502-059	1	S	Lever, Reverse
5	0423-096	2		O-Ring
6	0423-063	2		E-Ring
7	0402-136	1	S	Spring, Reverse Lever
8	0409-008	1		Reverse Switch
9	0402-168	1	/P	Retainer, Switch
10	0402-062	1		Knob, Reverse Shift Lever
11	3423-282	1		Clip, Cable



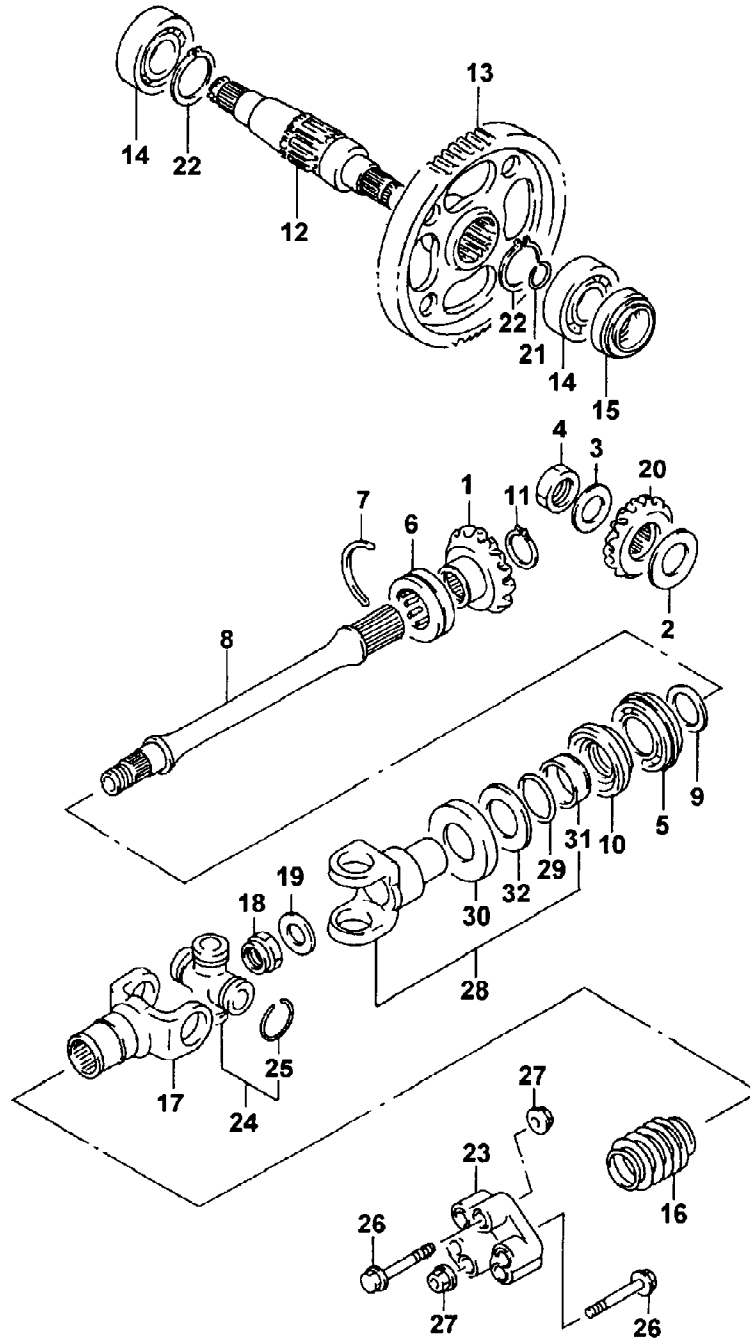
1998 ATV 300 2X4 (98A2C-1998)  
SEAT ASSEMBLY

Page 63 of 83

Ref #	Part Number	Qty	S/P/F	Description
1	5990-069	1	S	Seat Assembly (inc. 2-8)
2	0506-054	1		Cover, Seat
3	0506-056	1		Foam, Seat
4	0506-223	1	/P	Base, Seat - Assembly (inc. 5-7)
5	0	1	F	Base, Seat
6	8061-628	4		Rivet
7	0506-147	1	S	Pin, Seat Base - Front
8	0624-100	0		Staple
9	0406-309	2		Grommet, Seat - Center
10	8476-620	2		Screw, Cap
11	0406-235	1		Spring, Seat Latch
12	8050-217	2	/P	Washer
13	0406-199	2		Collar, Front Seat Base
14	0406-171	2		Bumper, Seat Base - Front
15	0623-404	1		Cap, Protector
16	0406-103	1	S	Latch, Seat - Assembly
17	8476-616	2		Screw, Machine

1998 ATV 300 2X4 (98A2C-1998)

SECONDARY GEAR/PROPELLER SHAFT ASSEMBLY





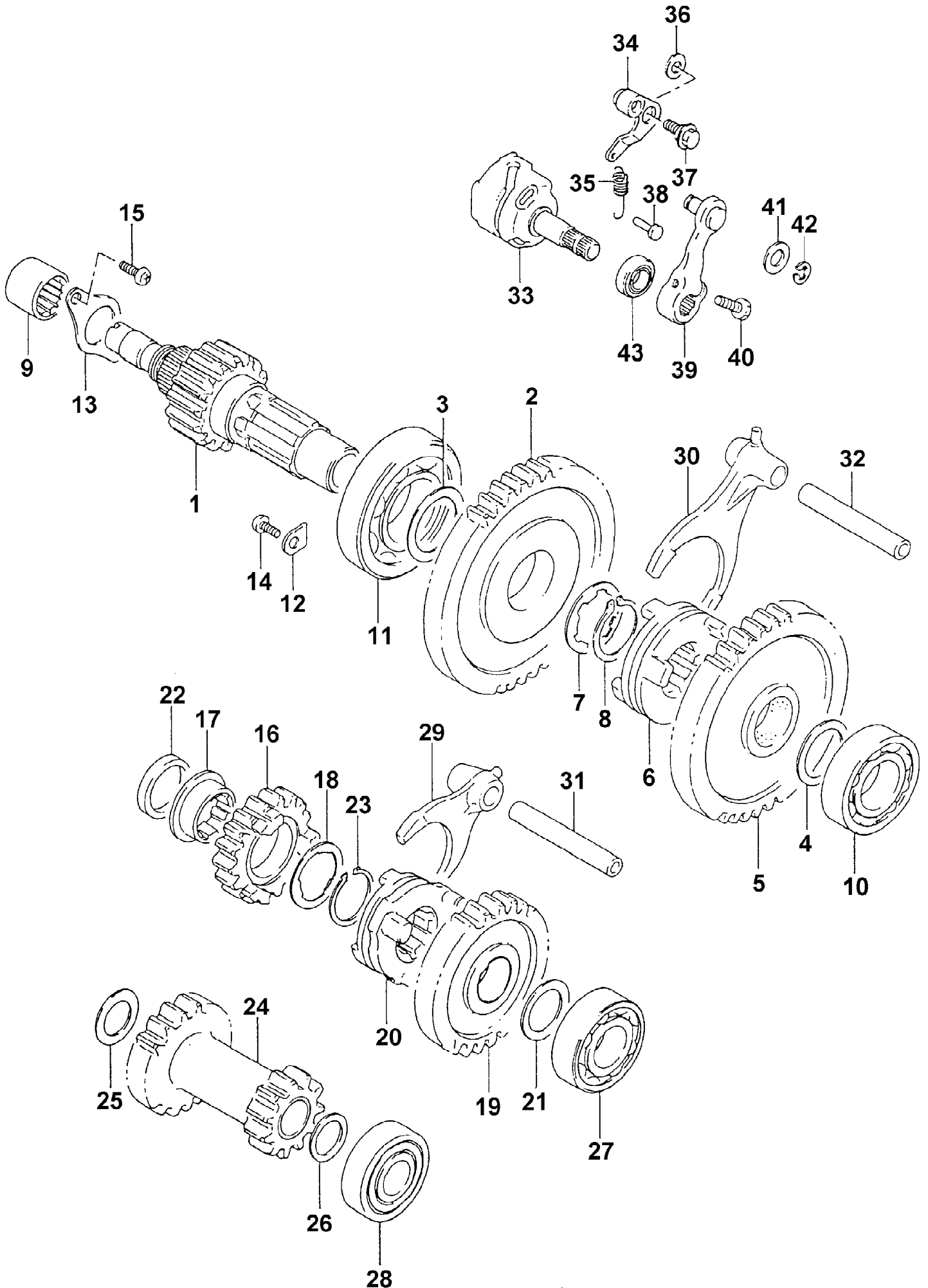
1998 ATV 300 2X4 (98A2C-1998)

Page 65 of 83

## SECONDARY GEAR/PROPELLER SHAFT ASSEMBLY

Ref #	Part Number	Qty	S/P/F	Description
10	3402-072	1		Seal, Oil
12	3446-176	1		Shaft, Rear Final Driven
13	3446-175	1		Gear, Driven
14	3402-219	2		Bearing
15	3402-072	2		Seal, Oil
21	3423-281	2		Ring
22	3423-321	2		Circlip
25	3423-067	4		Circlip
29	3423-060	1		O-Ring
30	3423-035	1		Plate
31	3435-029	1		Collar
32	3435-030	1		Plate, Oil Seal

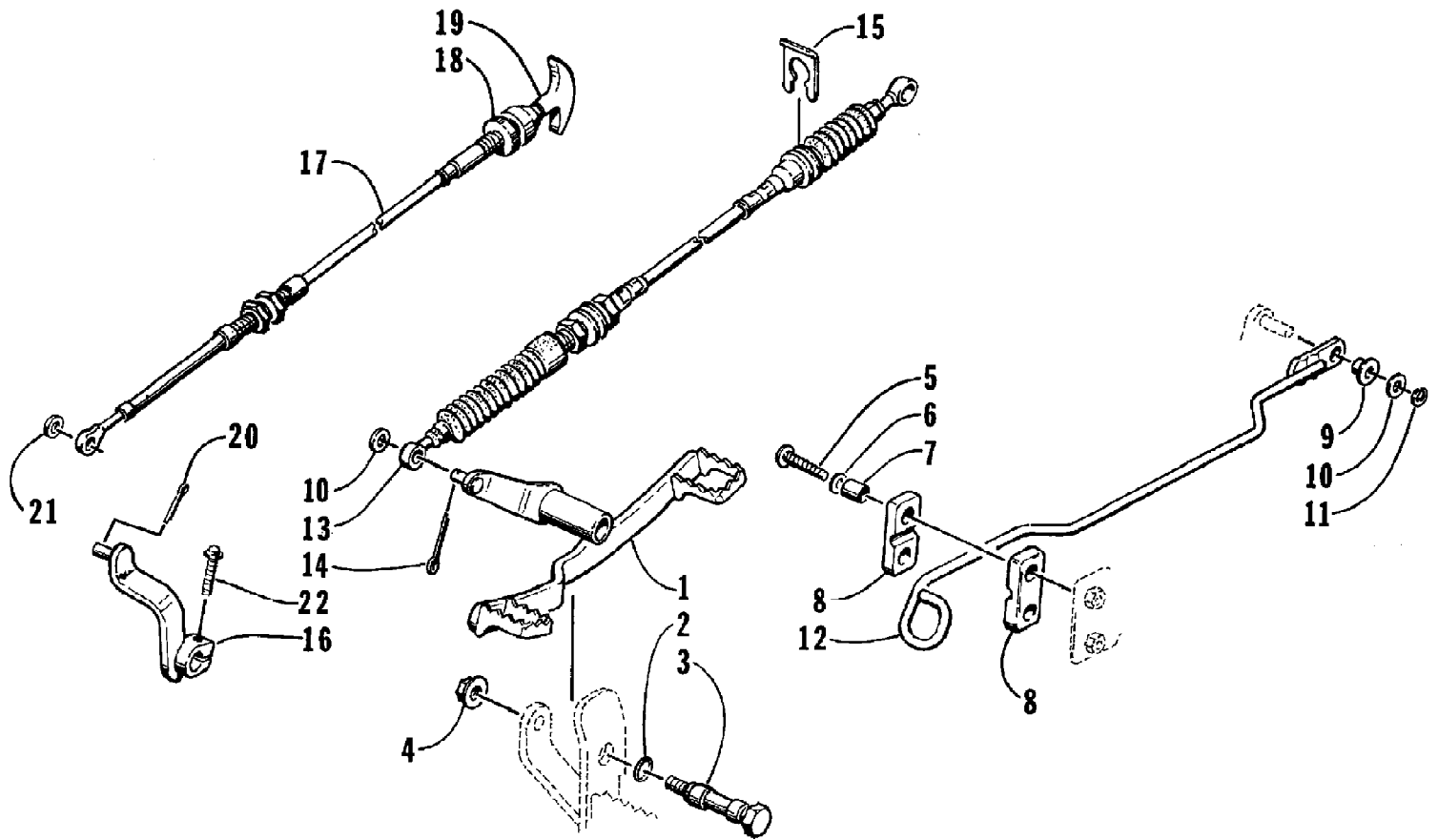
1998 ATV 300 2X4 (98A2C-1998)  
SECONDARY TRANSMISSION ASSEMBLY



1998 ATV 300 2X4 (98A2C-1998)  
SECONDARY TRANSMISSION ASSEMBLY

Page 67 of 83

Ref #	Part Number	Qty	S/P/F	Description
1	3446-179	1		Shaft, Sub Transmission (2x4)
2	3446-184	1		Gear, Driven (2x4)
8	3423-318	1	S	Circlip
9	3402-278	1		Bearing - Right
10	3004-209	1	/P	Bearing - Left
11	3402-055	1	/P	Bearing - Middle
12	3446-031	2	/P	Retainer
13	3446-154	1		Retainer
14	3004-552	2	S	Screw, Cap
15	0693-321	2		Screw, Cap
16	3446-181	1	S	Gear, Drive
17	3446-069	1	S	Bush
18	3423-036	1		Washer
19	3446-182	1		Gear, Drive
20	3446-183	1		Dog, Drive Gear
21	3402-195	1		Washer
22	3402-207	1		Spacer
23	3423-066	1	/P	Circlip
24	3446-180	1	S	Gear, Idler
25	3402-205	1		Washer
26	3423-319	1		Washer
27	3003-261	1	/P	Bearing, Drive - Left
28	3402-217	1		Bearing, Counter - Left
29	3446-185	1		Fork
31	3446-168	1	S	Shaft
33	3446-186	1		Cam, Sub Transmission Gear (2x4)
34	3446-187	1		Stopper
35	3402-241	1		Spring
36	3423-141	1		Washer
37	3423-240	1		Screw, Cap
39	3446-116	1		Arm
40	3423-125	1	S	Screw, Cap
41	3423-204	1	/P	Washer
42	3423-168	1	S	E-Ring
43	3402-076	1		Seal, Oil

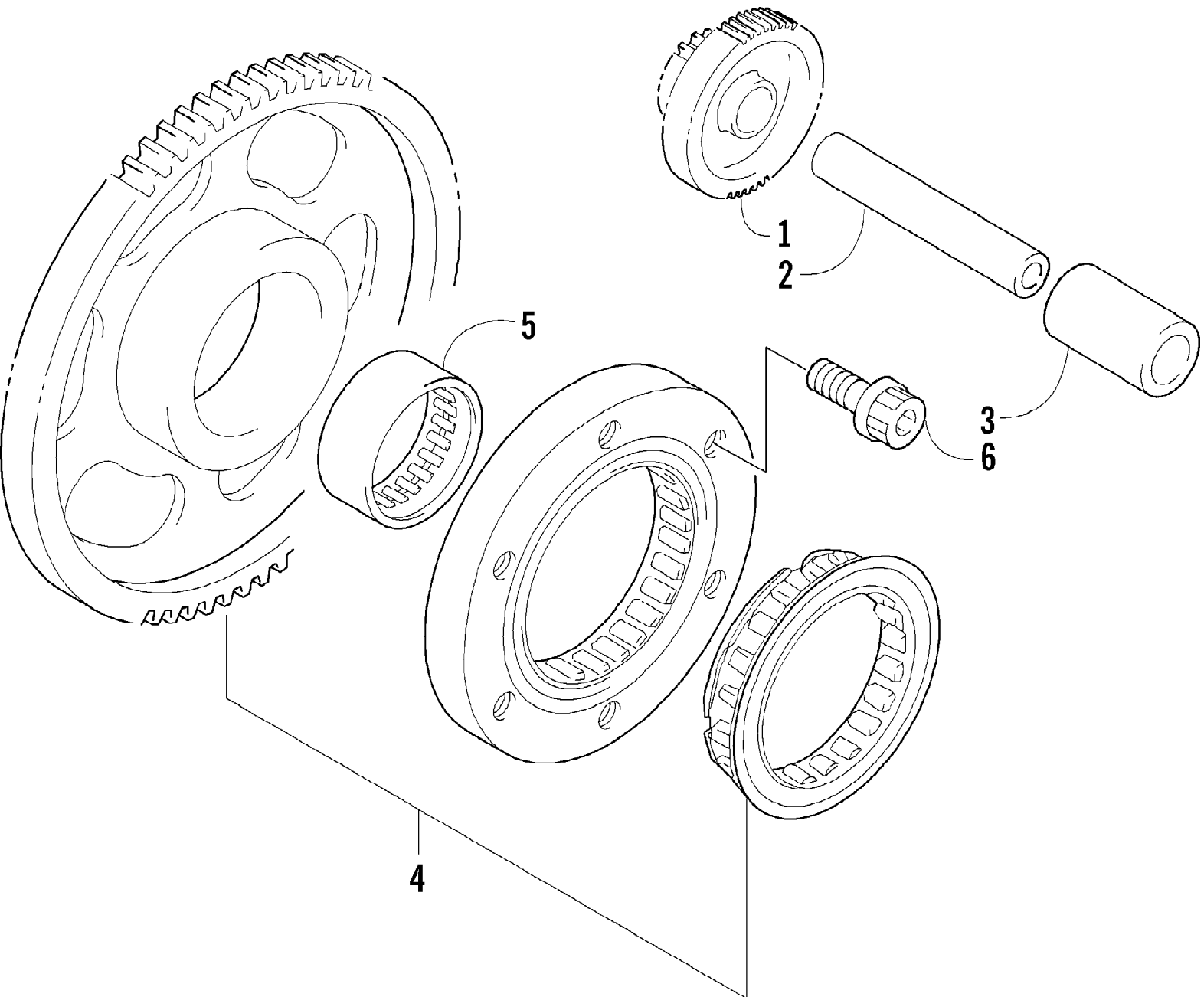


1998 ATV 300 2X4 (98A2C-1998)  
SHIFTER ASSEMBLY

Page 69 of 83

Ref #	Part Number	Qty	S/P/F	Description
1	0436-178	1	/P	Lever, Footshift
2	0423-096	2		O-Ring
3	0402-214	1		Axle, Footshift
4	8424-802	1		Nut
5	8476-630	2		Screw, Cap
6	8050-222	2	/P	Washer
7	0402-256	2		Collar, HI/Lo Shift
8	0406-363	2		Bushing, Hi/Lo Shift
9	0423-091	1		Bushing, Shift
10	8050-242	2		Washer
11	3423-168	1	S	E-Ring, Gear Shift
12	0502-062	1		Linkage, Hi/Lo
13	3487-001	1		Cable, Footshift
14	0623-175	1		Pin, Cotter
15	3423-282	1		Clip, Cable
16	0502-064	1		Arm, 2x4/4x4 - Shift (4x4)
17	0487-012	1		Cable, 2x4/4x4 - Shift (4x4)
18	0423-099	1		Nut
19	0487-014	1		Handle, Cable Shift
20	0117-868	1		Pin, Cotter
21	0423-052	1		Collar, Body

1998 ATV 300 2X4 (98A2C-1998)  
STARTER CLUTCH ASSEMBLY

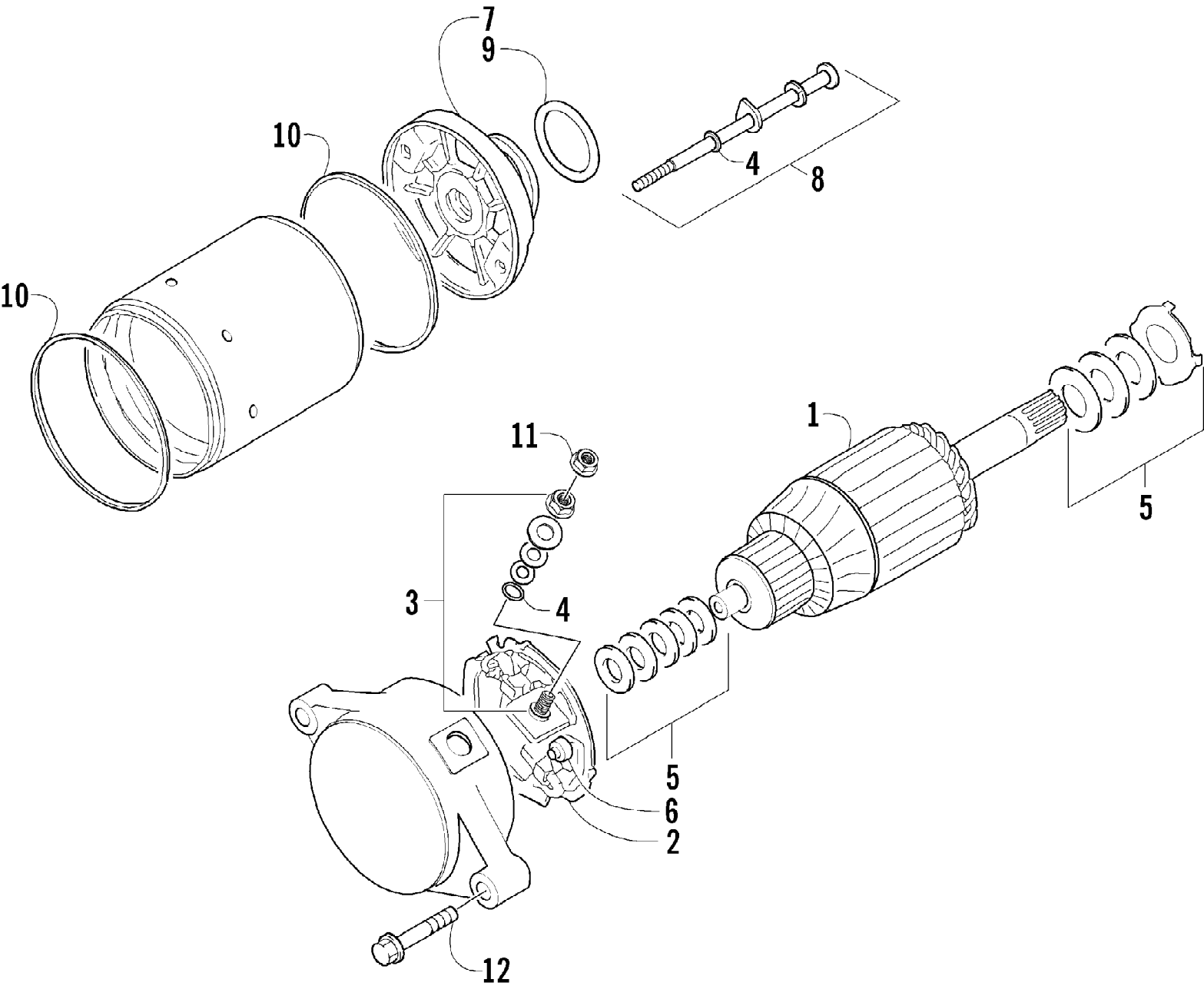


1998 ATV 300 2X4 (98A2C-1998)  
STARTER CLUTCH ASSEMBLY

Page 71 of 83

Ref #	Part Number	Qty	S/P/F	Description
1	3402-274	1	S	Gear, Starter Idler
2	3423-267	1		Pin
3	3402-145	1		Spacer
4	3402-273	1		Clutch Set, Starter (inc. 5)
5	3402-222	1		Bearing
6	3423-309	3		Screw, Cap

1998 ATV 300 2X4 (98A2C-1998)  
STARTER MOTOR ASSEMBLY

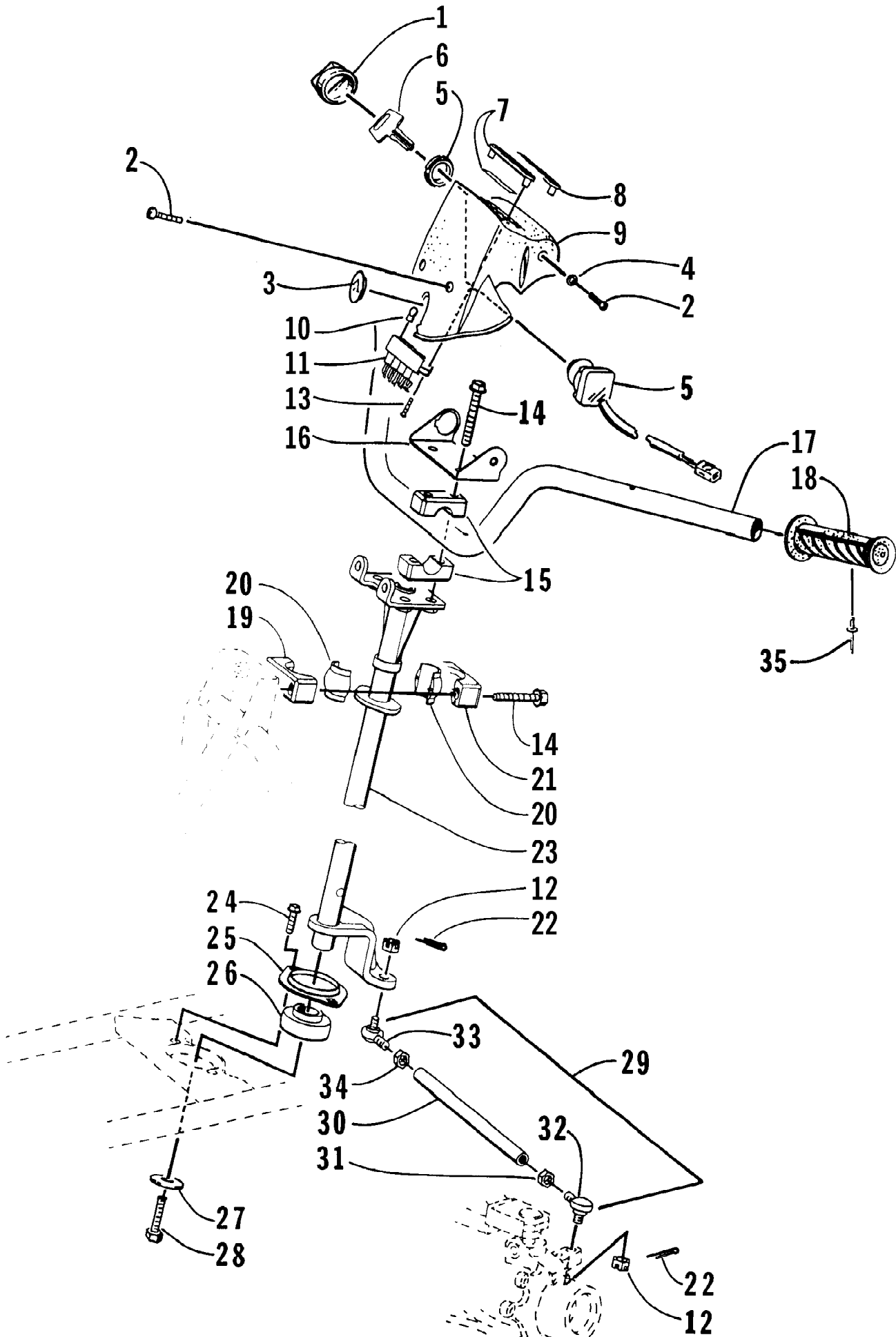




1998 ATV 300 2X4 (98A2C-1998)  
STARTER MOTOR ASSEMBLY

Page 73 of 83

Ref #	Part Number	Qty	S/P/F	Description
	3545-003	1	S	Complete Assembly
1	3008-554	1		Armature
2	3008-550	1		Holder Set, Brush
3	3008-549	1		Terminal Set, Brush (inc. 4)
4	3008-164	3		O-Ring
5	3008-099	1		Washer Set
6	3008-551	2		Spring, Brush
7	3008-552	1		Bracket, Front - Assembly
8	3423-289	2		Bolt Set (inc. 4)
9	3423-272	1		O-Ring
10	3008-553	2	/P	O-Ring
11	3423-195	1	/P	Nut
12	3004-756	2	S	Screw, Cap

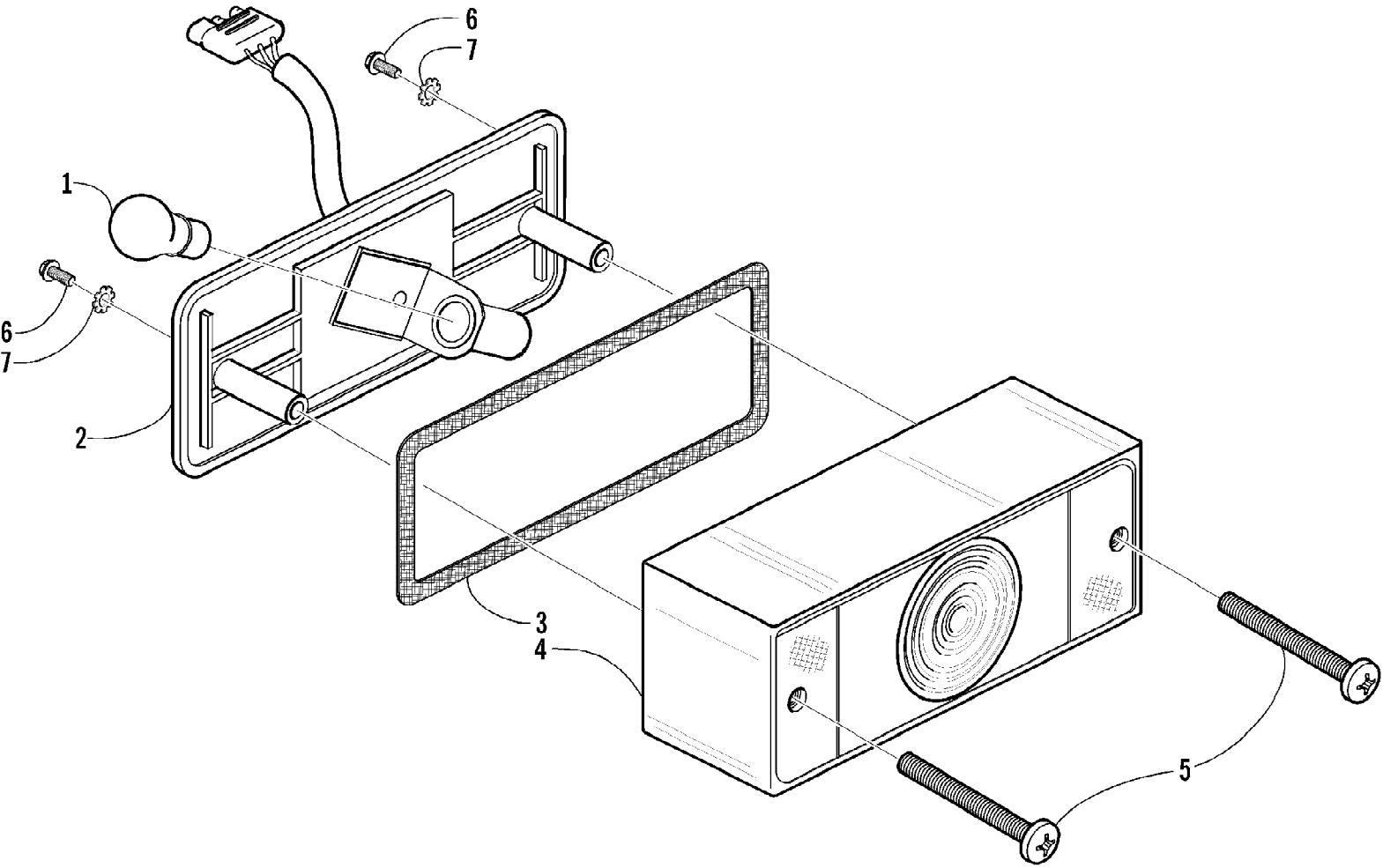


1998 ATV 300 2X4 (98A2C-1998)  
STEERING ASSEMBLY

Page 75 of 83

Ref #	Part Number	Qty	S/P/F	Description
1	0409-013	1		Cover, Key
2	8477-616	3		Screw, Machine
3	0405-042	1		Plug, Instrument Pod
4	0423-052	1		Collar, Body
5	3409-003	1	S	Switch, Ignition - Assembly (inc. 6)
6	3409-007	1	/P	Key, Ignition - Blank (C Series)
6	3409-011	1		Key, Ignition - Blank (D Series)
7	0420-011	1		Bezel/Lens, Warning - Assembly
8	0405-036	1		Plate, "Arctic Cat" - Instrument Pod
9	0405-019	1		Instrument Pod
10	0420-013	4		Bulb, Light Bar
11	0420-001	1		Light, Warning - Assembly
12	8422-002	4		Nut
13	0123-950	4		Screw, Self-Tapping
14	8408-860	6		Screw, Cap
15	0405-035	4		Cap, Steering Adjuster
16	0506-139	1	S	Bracket, Key Switch
17	0505-022	1		Tube, Handlebar
18	0405-039	2	/P	Grip, Handlebar
19	0605-171	1		Housing, Bearing - Lower
20	0405-020	2		Bearing, Steering Post
21	0605-147	1	S	Housing, Bearing - Upper
22	0623-175	4		Pin, Cotter
23	0505-012	1		Post, Steering
24	8408-816	2		Screw, Cap
25	0602-233	1		Flange, Bearing
26	0602-808	1	S	Bearing
27	0423-073	1		Washer
28	8409-020	1	/P	Screw, Cap
29	0505-021	2	S	Tie Rod-Assembly (inc. 30-34)
30	0405-032	2	F	Tie Rod
31	8420-002	2	/P/F	Nut - Right
32	0405-041	2	S/F	Ball Joint, Tie Rod - Left
33	0405-040	2	S/F	Ball Joint, Tie Rod - Right
34	0423-013	2	F	Nut - Left
35	8060-428	2		Rivet

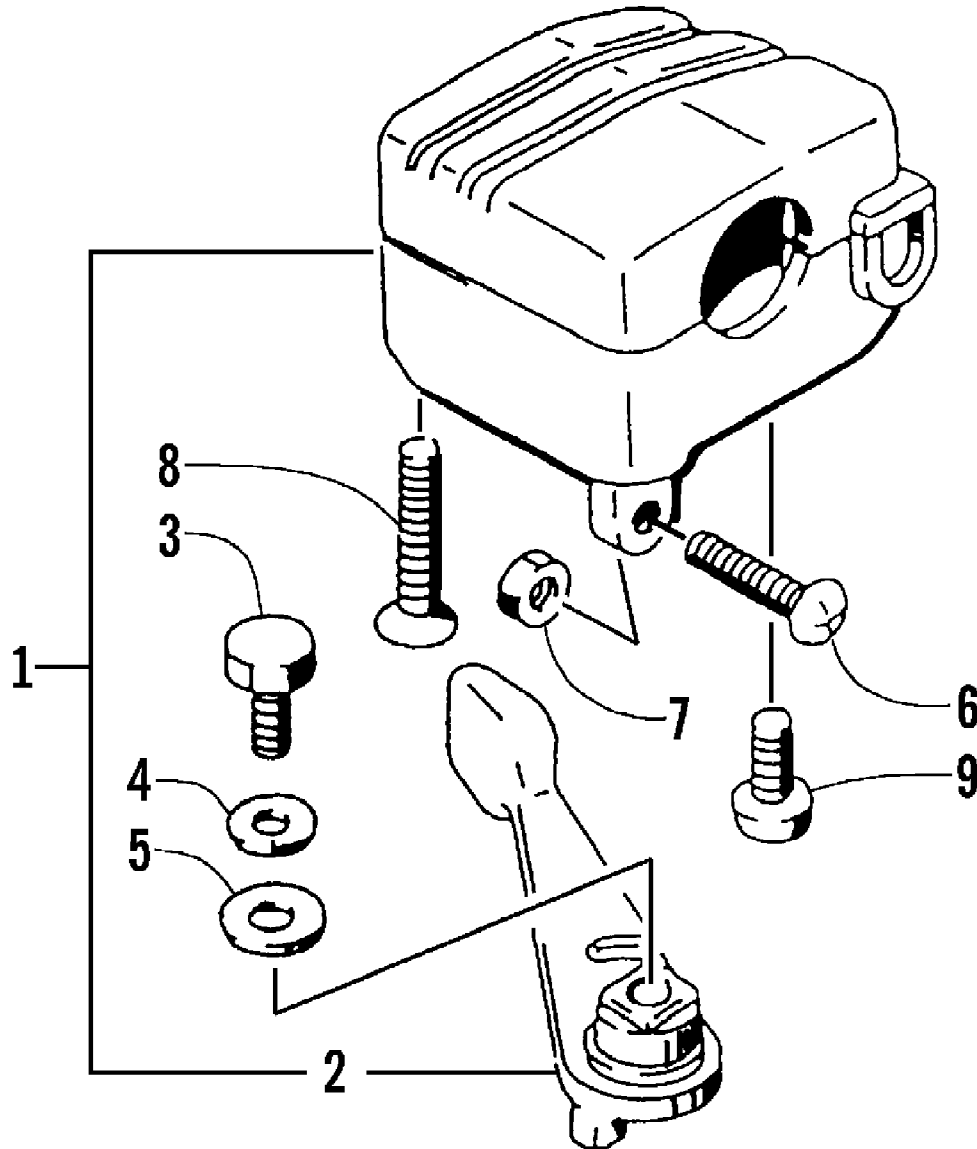
1998 ATV 300 2X4 (98A2C-1998)  
TAILLIGHT ASSEMBLY



1998 ATV 300 2X4 (98A2C-1998)  
TAILLIGHT ASSEMBLY

Page 77 of 83

Ref #	Part Number	Qty	S/P/F	Description
	0409-002	1		Complete Taillight Assembly
1	0109-460	1	/P	Bulb, Stop - Taillight
2	0409-011	1		Taillight w/Socket - Assembly
3	0409-012	1		Gasket, Taillight
4	0409-007	1		Lens, Taillight
5	0409-010	2		Screw, Machine
6	0623-301	2	/P	Screw, Self-Tapping
7	8053-212	2	/P	Washer, Lock - External Tooth

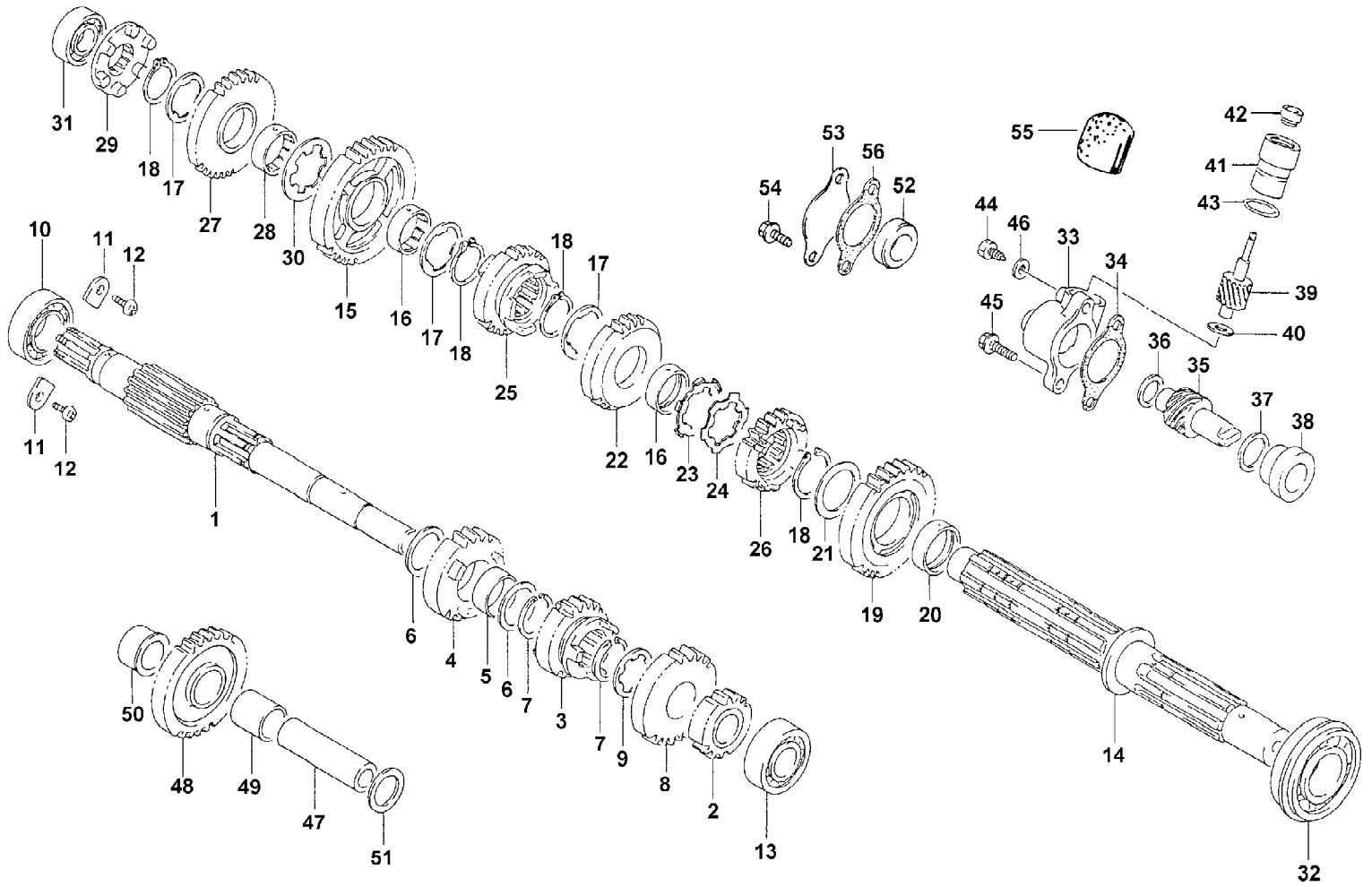


1998 ATV 300 2X4 (98A2C-1998)  
THROTTLE CASE ASSEMBLY

Page 79 of 83

Ref #	Part Number	Qty	S/P/F	Description
1	3409-005	1	S	Case, Throttle - Assembly (inc. 2-9)
2	3409-001	1		Lever
3	3004-533	1	S/P	Screw, Cap
4	3004-447	1	/P	Washer, Lock
5	3003-030	1	/P	Washer
6	3423-014	1		Screw, Cap
7	3423-327	1		Nut
8	3423-199	2		Screw, Cap
9	3004-638	1	/P	Screw, Cap

1998 ATV 300 2X4 (98A2C-1998)  
TRANSMISSION ASSEMBLY



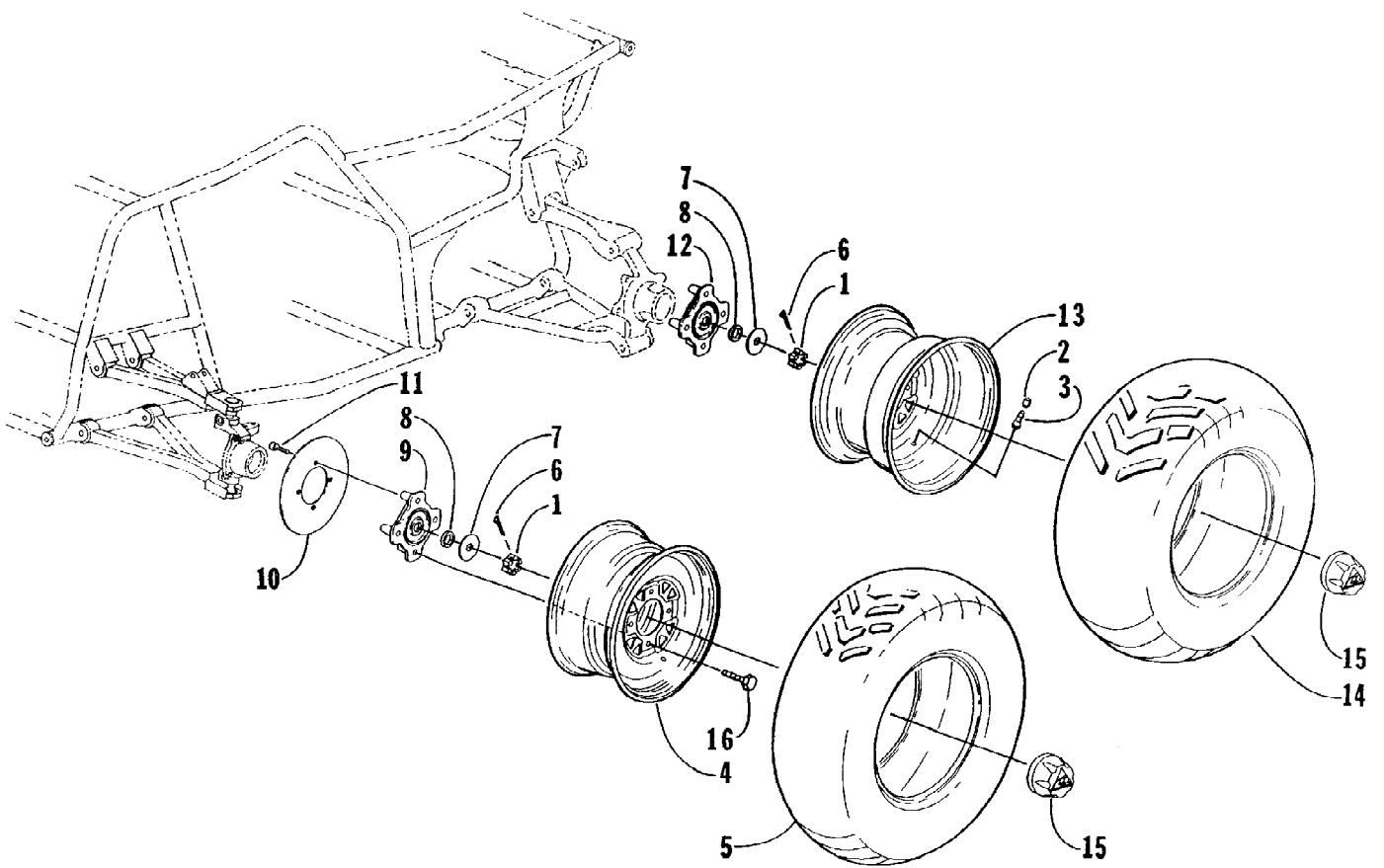


1998 ATV 300 2X4 (98A2C-1998)  
TRANSMISSION ASSEMBLY

Page 81 of 83

Ref #	Part Number	Qty	S/P/F	Description
1	3446-135	1	S	Shaft, Counter
2	3446-137	1		Gear, 2nd Drive
3	3446-138	1		Gear, 3rd Drive
4	3446-139	1		Gear, 4th Drive
5	3402-229	1		Bush
6	3402-210	2		Washer
7	3423-279	2		Circlip
8	3446-140	1		Gear, 5th Drive
9	3423-261	1	S	Washer
10	0691-374	1		Bearing - Right
11	3446-031	2	/P	Retainer
12	3004-552	2	S	Screw, Cap
13	3402-224	1		Bearing, Middle
14	3446-136	1	S	Driveshaft
15	3446-141	1		Gear, 1st Driven
16	3446-144	2	S	Bush
17	3423-036	3		Washer, Lock
18	3423-066	4	/P	Circlip
19	3446-142	1		Gear, 2nd Driven
20	3402-230	1		Bush
21	3423-317	1		Washer
22	3446-143	1		Gear, 3rd Driven
23	3423-266	1		Washer, Lock
24	3423-262	1		Washer, Lock
25	3446-146	1		Gear, 4th Driven
26	3446-147	1		Gear, 5th Driven
27	3446-151	1		Gear, Reverse Driven
28	3446-145	1		Bush
29	3446-152	1		Dog
30	3423-263	1		Washer
31	3402-218	1		Bearing - Right
32	3402-220	1		Bearing - Middle
47	3446-148	1		Shaft, Reverse Idle
48	3446-149	1		Gear, Reverse Idle
49	3402-228	1		Bush
50	3446-150	1		Spacer
51	3402-209	1		Washer
52	3402-255	1		Plug, Cover Hole (2x4)
53	3446-153	1		Retainer, Cover Plug (2x4)
54	3423-231	2		Bolt, Retainer (2x4)
55	0402-160	1		Cap, Speedometer Drive
56	3446-231	1	S	Gasket

1998 ATV 300 2X4 (98A2C-1998)  
WHEEL AND TIRE ASSEMBLY



1998 ATV 300 2X4 (98A2C-1998)  
WHEEL AND TIRE ASSEMBLY

Page 83 of 83

Ref #	Part Number	Qty	S/P/F	Description
1	3423-213	4		Nut, Hex
2	0402-140	4		Cap, Valve Stem
3	0402-064	4		Valve, Stem
4	0402-215	2		Wheel - Front
5	0402-202	2	S	Tire - Front (2x4)
6	0123-458	4	/P	Pin, Cotter
7	0423-080	4		Washer
8	0402-181	4		Seal, Hub
9	0502-040	2		Hub, Wheel - Front (2x4)
10	0402-009	3	S	Disc, Brake
11	0423-029	12		Screw, Machine
12	0502-041	2	S	Hub, Wheel - Rear
13	0402-215	2		Wheel - Rear (2x4)
14	0402-153	2	S	Tire - Rear
15	0403-035	4	/P	Cap, Wheel - Center
16	8409-020	16	/P	Screw, Cap