

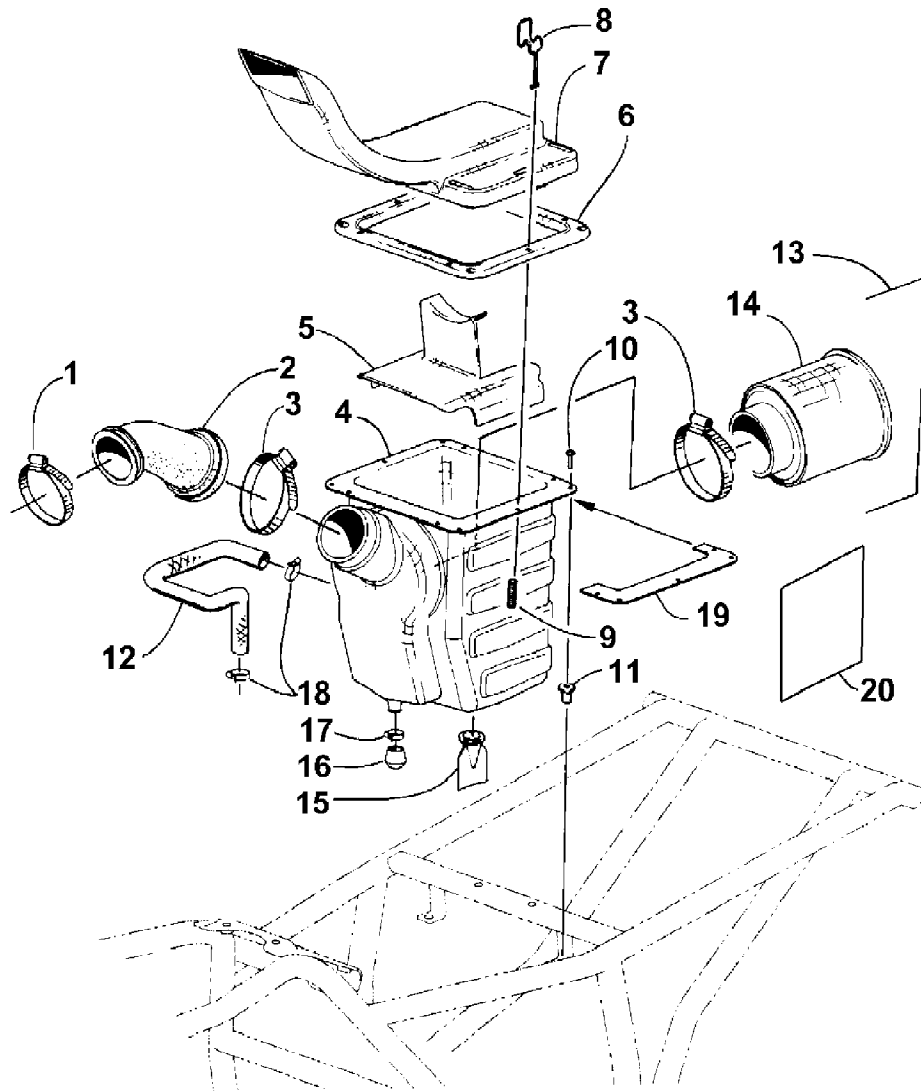
No
Diagram
Available

Parts List
Only

1996 BEARCAT 4X4 (96A4A-AP-1996)
ACCESSORIES

Page 2 of 96

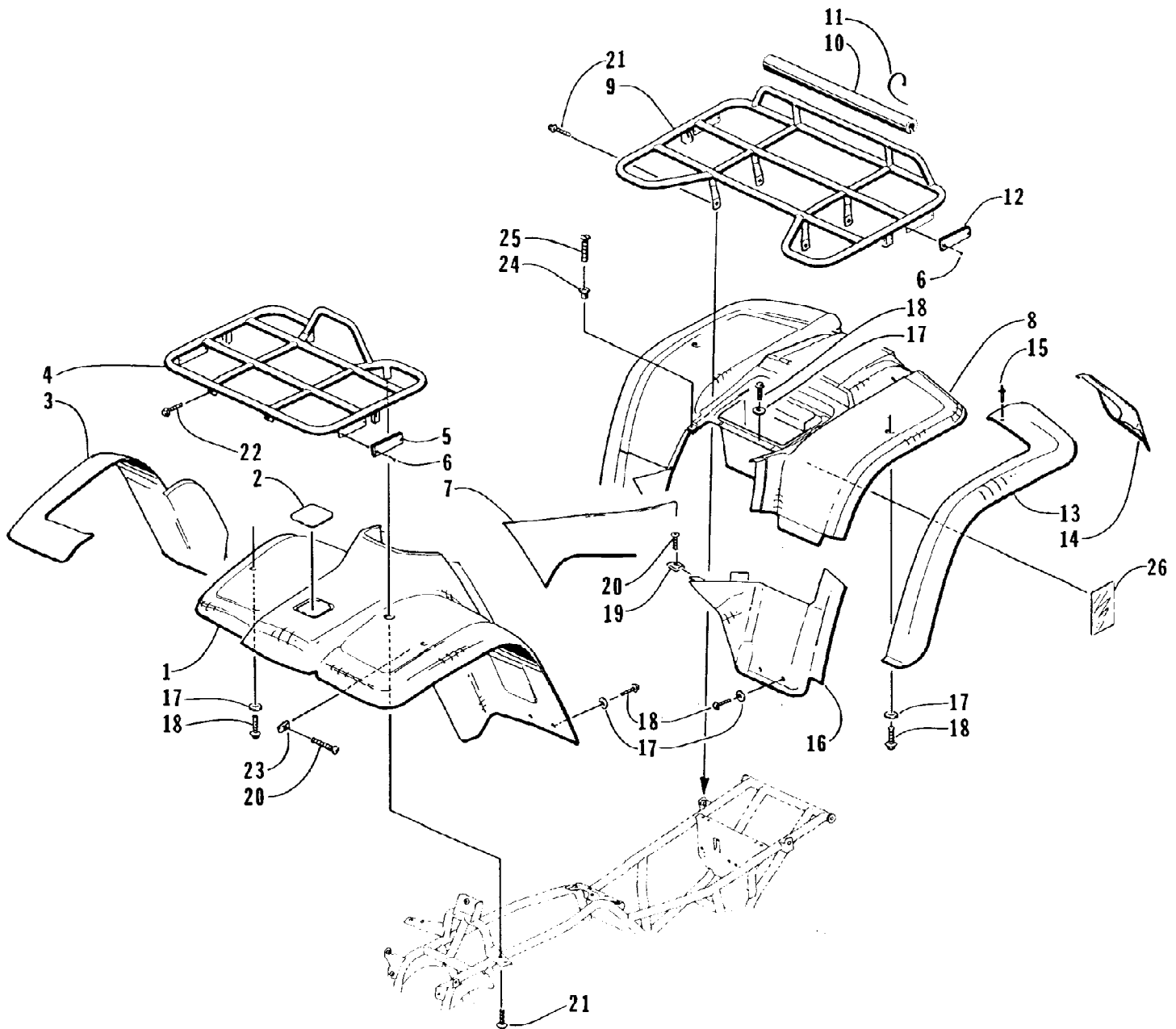
Ref #	Part Number	Qty	S/P/F	Description
	0436-013	0		Bag, Rack Utility - Front
	0436-012	0		Bag, Rack Utility - Rear
	0436-025	0		Blade, 48 in. Plow
	0436-010	0		Cover, Black and Green
	0436-011	0		Cover, Camouflage
	0436-047	0		Cover, Padded Bar - Black
	0436-046	0		Cover, Padded Bar - Green
	0436-035	0	S	Engine Block Heater
	0436-023	0		Gun Scabbard
	2255-464	0		Manual, Parts
	2255-344	0		Manual, Operator
	2255-466	0		Manual, Service
	0436-050	0		Mounting Bracket, Gun Scabbard
	0436-051	0		Mounting Bracket, Portable Lights
	0436-008	0		Mounting Plate with Tow Loops
	0436-052	0		Plow Mounting Kit, Winch Lift
	0436-053	0		Plow Mounting Kit, Mechanical Lift
	0436-040	0	/P	Portable Light, Spot
	0436-039	0	/P	Portable Light, Work
	0436-014	0	/P	Safety Flag
	0436-032	0		Tie Down, Black
	0436-031	0		Tie Down, Green
	0436-041	0		Tire Repair, Standard
	0436-042	0		Tire Repair, Deluxe
	0436-045	0	S	Tire Sealant
	0436-034	0	S	Tool Holder
	0436-024	0		Winch Kit
	0436-068	0		Winch Accessories Kit



1996 BEARCAT 4X4 (96A4A-AP-1996)
AIR INTAKE ASSEMBLY

Page 4 of 96

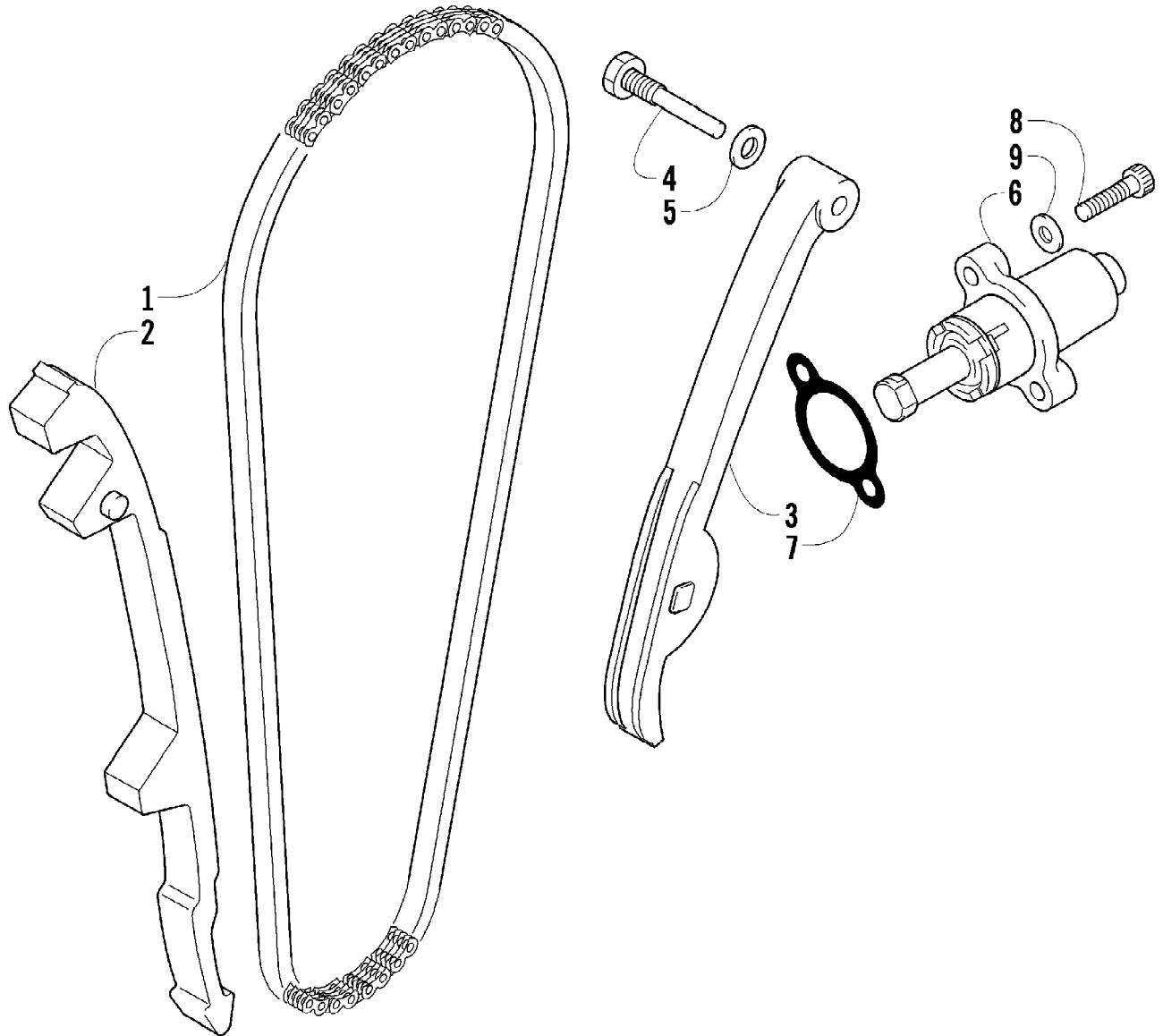
Ref #	Part Number	Qty	S/P/F	Description
1	0423-066	1		Clamp
2	0470-305	1		Boot, Air Cleaner
3	0423-018	2		Clamp
4	0570-004	1	S	Cleaner, Air - Lower Assembly
5	0470-328	1		Baffle, Splash - Air Cleaner
6	0470-324	1		Gasket, Air Cleaner
7	0470-304	1	S	Snorkel, Air Cleaner
8	0470-307	6		Clamp, Air Cleaner
9	0423-037	6		Spring, Air Cleaner
10	0123-549	4	/P	Screw, Machine
11	0123-010	4	/P	Nut, Expansion
12	0410-004	1		Hose, Crankcase Vent
13	0470-322	4	S	Filter, Air Cleaner (inc. 14)
14	0470-332	2		Sleeve, Filter
15	0470-309	1	S	Valve, Air Cleaner
16	0470-310	1	S	Cap, Drain - Air Cleaner
17	0423-047	1		Clamp, Hose
18	0423-045	2		Clamp, Hose - Spring
19	0470-327	2		Support, Air Cleaner Flange
20	0706-990	AR	/P/F	Tape, Foil (6 in. x 24 in.)



1996 BEARCAT 4X4 (96A4A-AP-1996)
BODY PANEL ASSEMBLY

Page 6 of 96

Ref #	Part Number	Qty	S/P/F	Description
1	0506-156	1	S	Panel, Fender - Front
2	0406-153	1	S/P	Cover, Radiator Access
3	0506-154	1	S	Flare - Front Right
3	0506-155	1	S	Flare - Front Left
4	0506-104	1	S	Rack - Front
5	0606-526	2		Yellow Reflector
6	0623-269	8		Clip, Retaining
7	0506-164	1		Panel, Side - Right
7	0506-165	1		Panel, Side - Left
8	0506-157	1		Panel, Fender - Rear
9	0506-103	1	S	Rack - Rear
10	0406-269	1		Wrap, Tube - Rear Rack
11	0123-788	7	/P	Tie, Cable
12	0606-029	2		Red Reflector
13	0406-082	1		Flare - Rear Right
13	0406-083	1		Flare - Rear Left
14	0406-086	1		Mud Flap - Right
14	0406-087	1		Mud Flap - Left
15	0423-046	54		Rivet, Plastic
16	0506-160	1		Fender Extension - Rear Right
16	0506-161	1		Fender Extension - Rear Left
17	0423-010	14		Washer, Body
18	8474-616	14		Screw, Machine
19	0423-060	2		Clip, Tinerman
20	0623-302	2		Screw, Self-Tapping
21	8409-020	6	/P	Screw, Cap
22	8408-812	2		Screw, Cap
23	0423-031	2		Nut, Speed
24	0123-010	2	/P	Nut, Expansion
25	0423-068	2		Screw, Machine
26	0219-376	0	/P	Tape, Foil

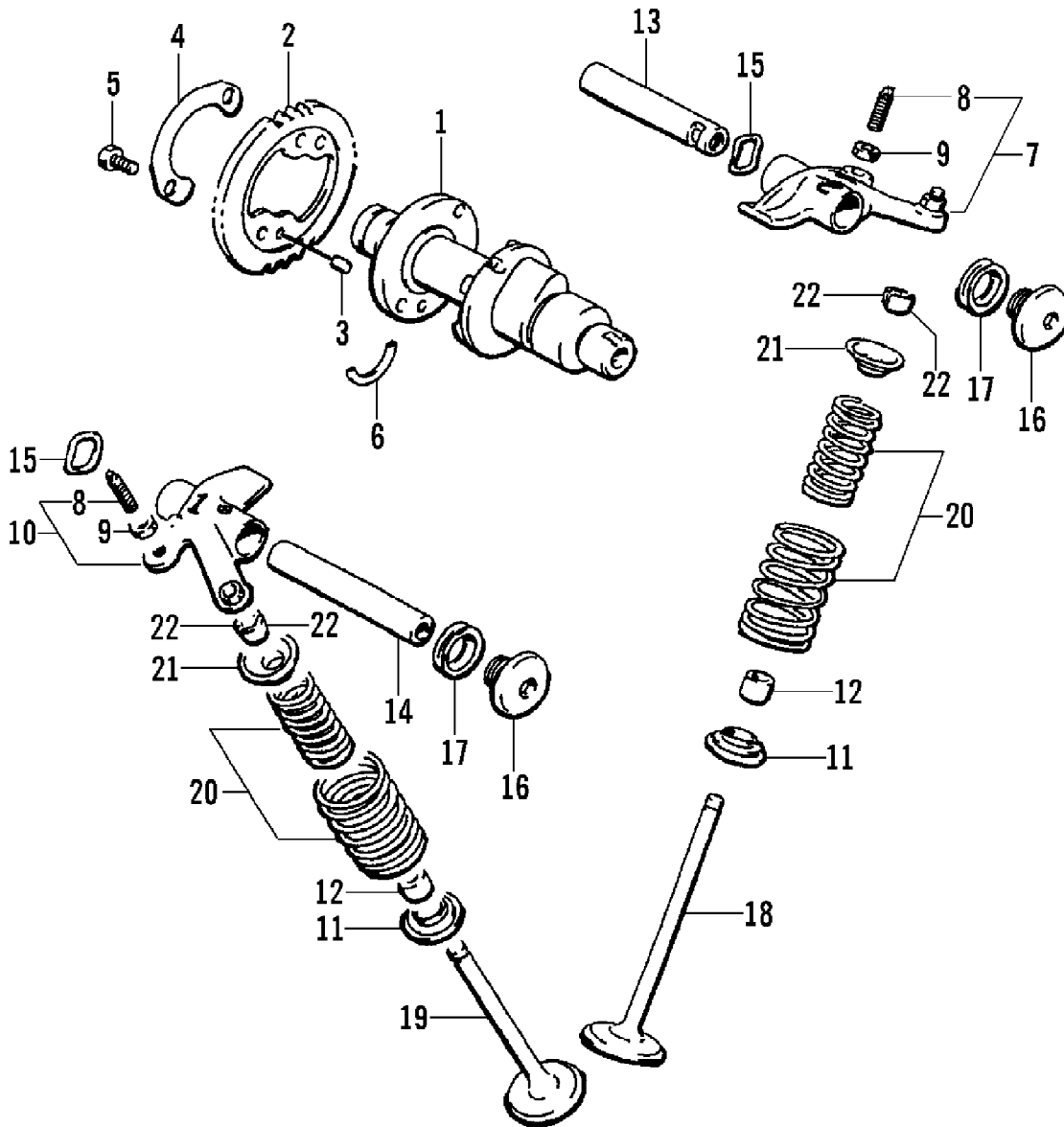


1996 BEARCAT 4X4 (96A4A-AP-1996)
CAM CHAIN ASSEMBLY

Page 8 of 96

Ref #	Part Number	Qty	S/P/F	Description
1	3402-133	1		Chain, Cam
2	3402-134	1		Guide, Chain
3	3402-135	1		Tensioner, Chain
4	3423-074	1		Bolt
5	3003-188	1	S/P	Washer
6	3402-136	1		Adjuster, Tensioner - Assembly
7	3402-137	1		Gasket
8	3004-475	2	S	Bolt
9	3003-290	2	/P	Gasket

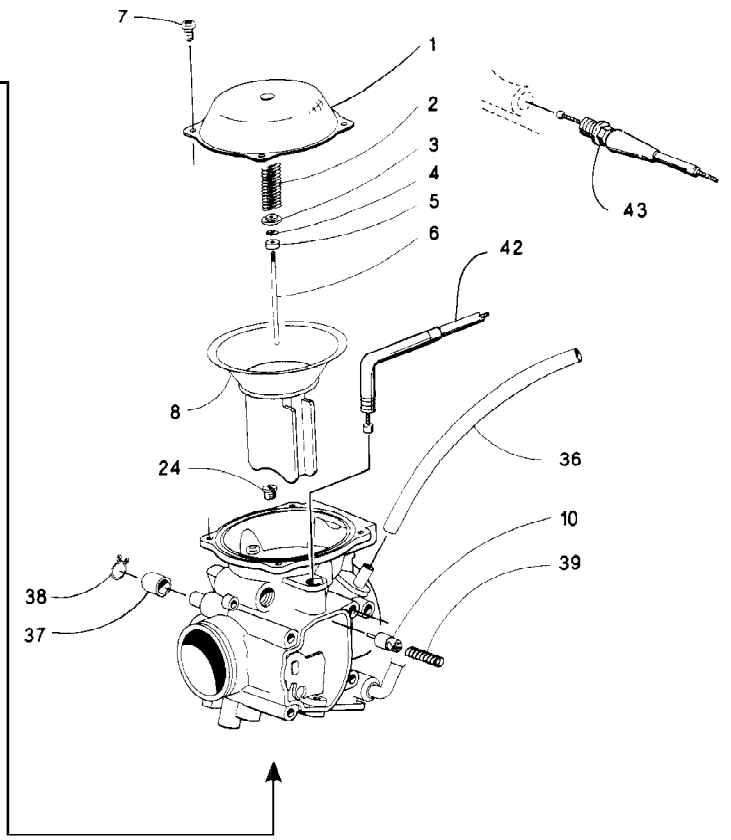
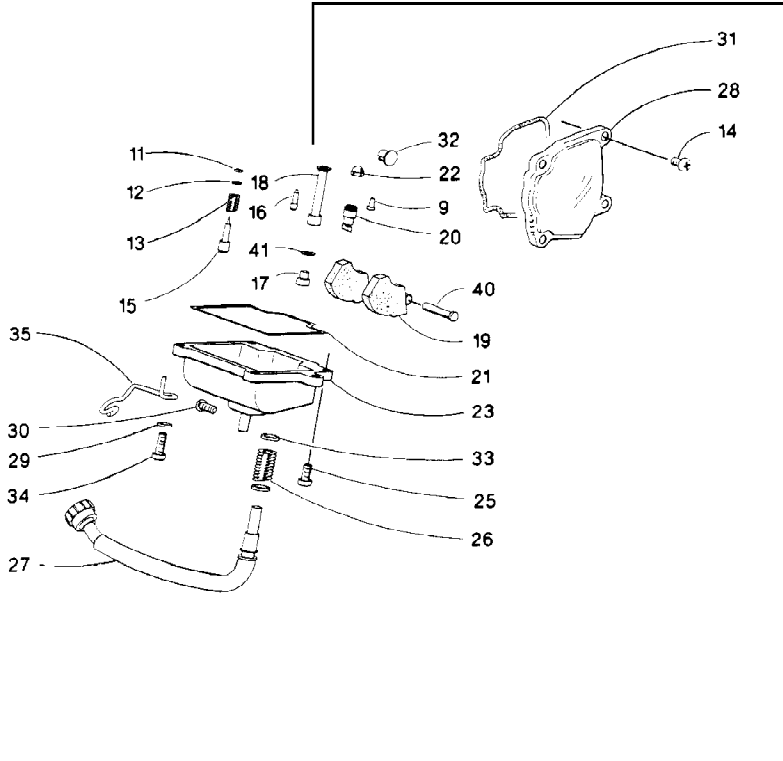
1996 BEARCAT 4X4 (96A4A-AP-1996)
CAM SHAFT VALVE ASSEMBLY



1996 BEARCAT 4X4 (96A4A-AP-1996)
CAM SHAFT VALVE ASSEMBLY

Page 10 of 96

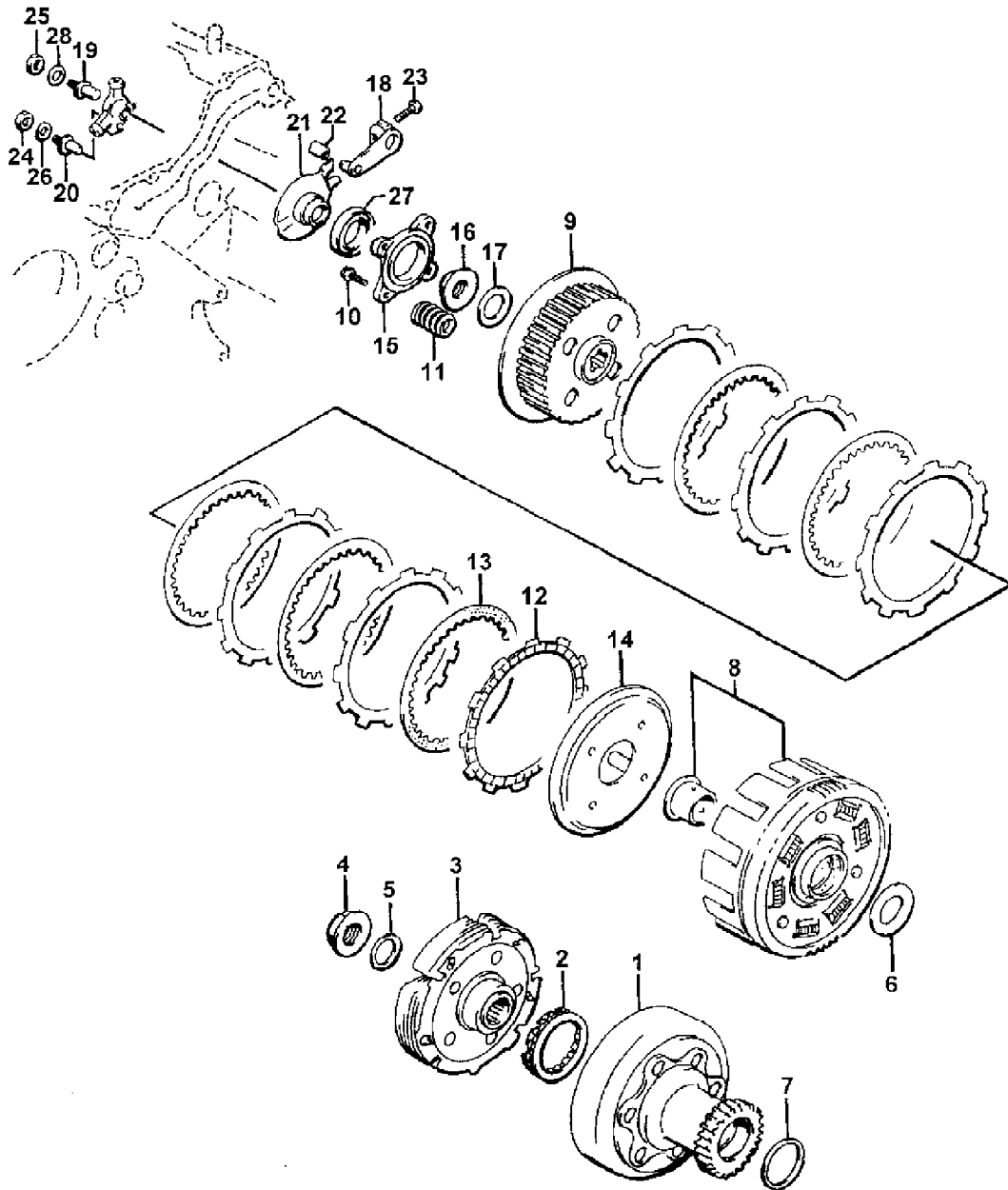
Ref #	Part Number	Qty	S/P/F	Description
1	3402-130	1	S	Cam Shaft
2	3402-131	1		Sprocket
3	3423-047	1		Pin
4	3423-073	1		Washer
5	3423-013	2	S	Bolt
6	3423-071	1	/P	C-Ring
7	3402-138	1	S	Arm, Valve Rocker (inc. 8-9)
8	3423-075	2		Screw, Cap
9	3423-076	2		Nut
10	3402-139	1		Arm, Valve Rocker (inc. 8-9)
11	3402-148	4		Seat, Spring
12	3402-078	4		Seal, Oil
13	3402-140	1		Shaft, Rocker Arm
14	3402-141	1		Shaft, Rocker Arm
15	3423-031	2		Washer
16	3402-040	2	/P	Plug, Shaft
17	3402-012	2		Gasket
18	3402-142	2	S	Valve, Intake
19	3402-143	2		Valve, Exhaust
20	3402-144	4		Spring, Valve - Set
21	3402-146	4	S	Retainer, Spring
22	3402-147	8		Cotter, Valve



1996 BEARCAT 4X4 (96A4A-AP-1996)
CARBURETOR

Page 12 of 96

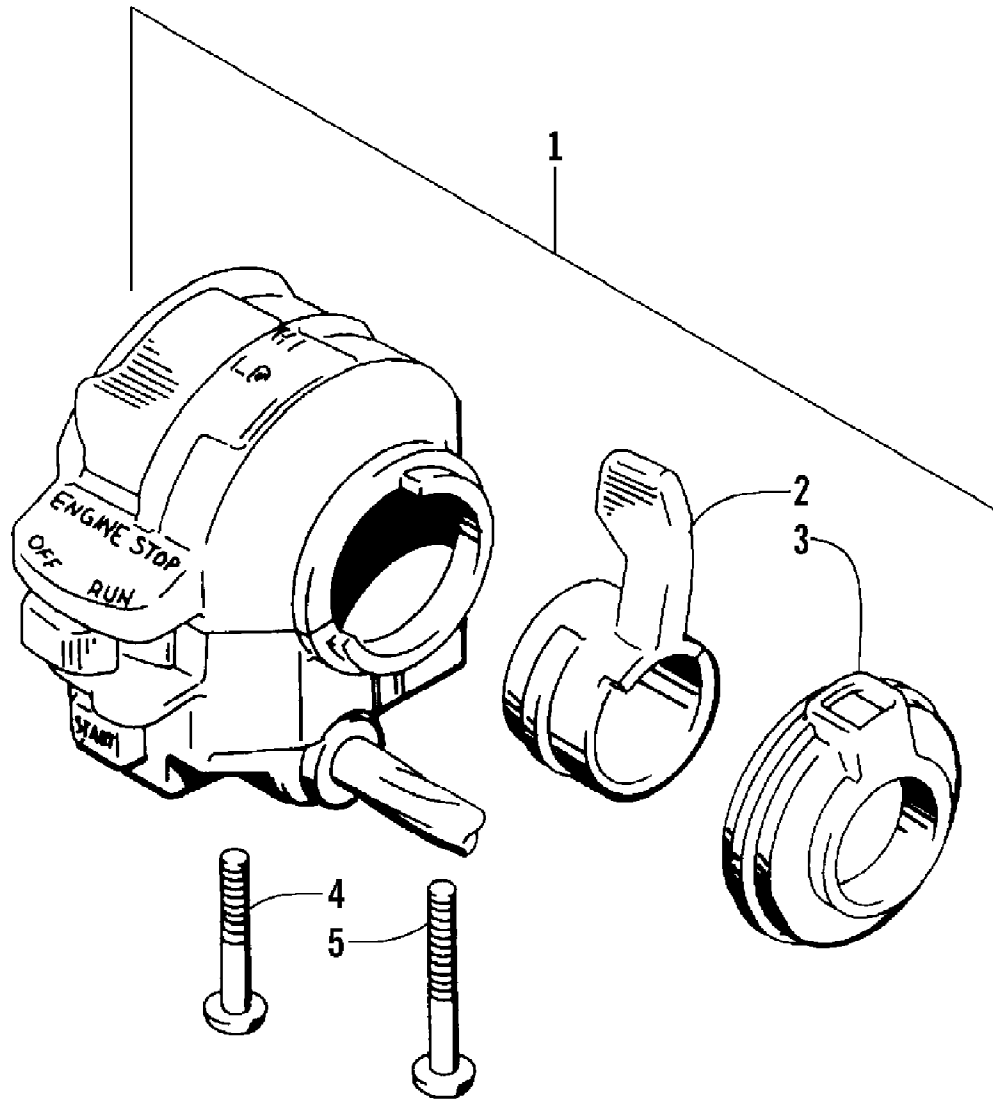
Ref #	Part Number	Qty	S/P/F	Description
	0470-317	1	S	Complete Assembly
1	4505-001	1		Cover - Assembly
2	4505-002	2		Spring
3	4505-003	1		Ring
4	4505-004	1	S	E-Ring
5	4505-005	1		Ring
6	4505-020	1	/P	Jet Needle 5D40-4
7	4505-007	4	S	Screw
8	4505-008	1	S	Diaphragm
9	4505-009	1		Screw
10	4505-010	1		Plunger - Assembly
11	4505-011	1	/P	O-Ring
12	4505-012	1		Washer
13	4505-013	1		Spring
14	4505-014	4		Screw
15	4505-016	1	/P	Screw, Pilot
16	4505-017	1		Jet, Pilot 40
17	4505-019	1		Jet, Main 142.5
18	4505-006	1	/P	Needle Jet P-7
19	4505-021	1		Float - Assembly
20	4505-022	1		Seat, Valve 2.0
21	4505-044	1		O-Ring, Bowl
22	4505-045	1		Filter
23	4505-023	1		Chamber, Float
24	4505-024	1	/P	Jet, Pilot
25	4505-025	5		Screw
26	4505-026	1		Spring
27	4505-027	1		Cable Adjust - Assembly
28	4505-028	1		Cover
29	4505-029	1		Washer
30	4505-030	1		Screw
31	4505-031	1		O-Ring
32	4505-032	1		Guide, Cable
33	4505-033	2		Washer
34	4505-042	1		Screw
35	4505-043	1	S	Clip
36	4505-035	2		Hose
37	4505-036	1	/P	Cap
38	4505-037	1		Clip
39	4505-039	1	/P	Spring
40	6505-153	1		Pin
41	6505-006	1		Washer
42	0487-001	1		Cable, Throttle
43	0487-002	1		Cable, Choke



1996 BEARCAT 4X4 (96A4A-AP-1996)
CLUTCH ASSEMBLY

Page 14 of 96

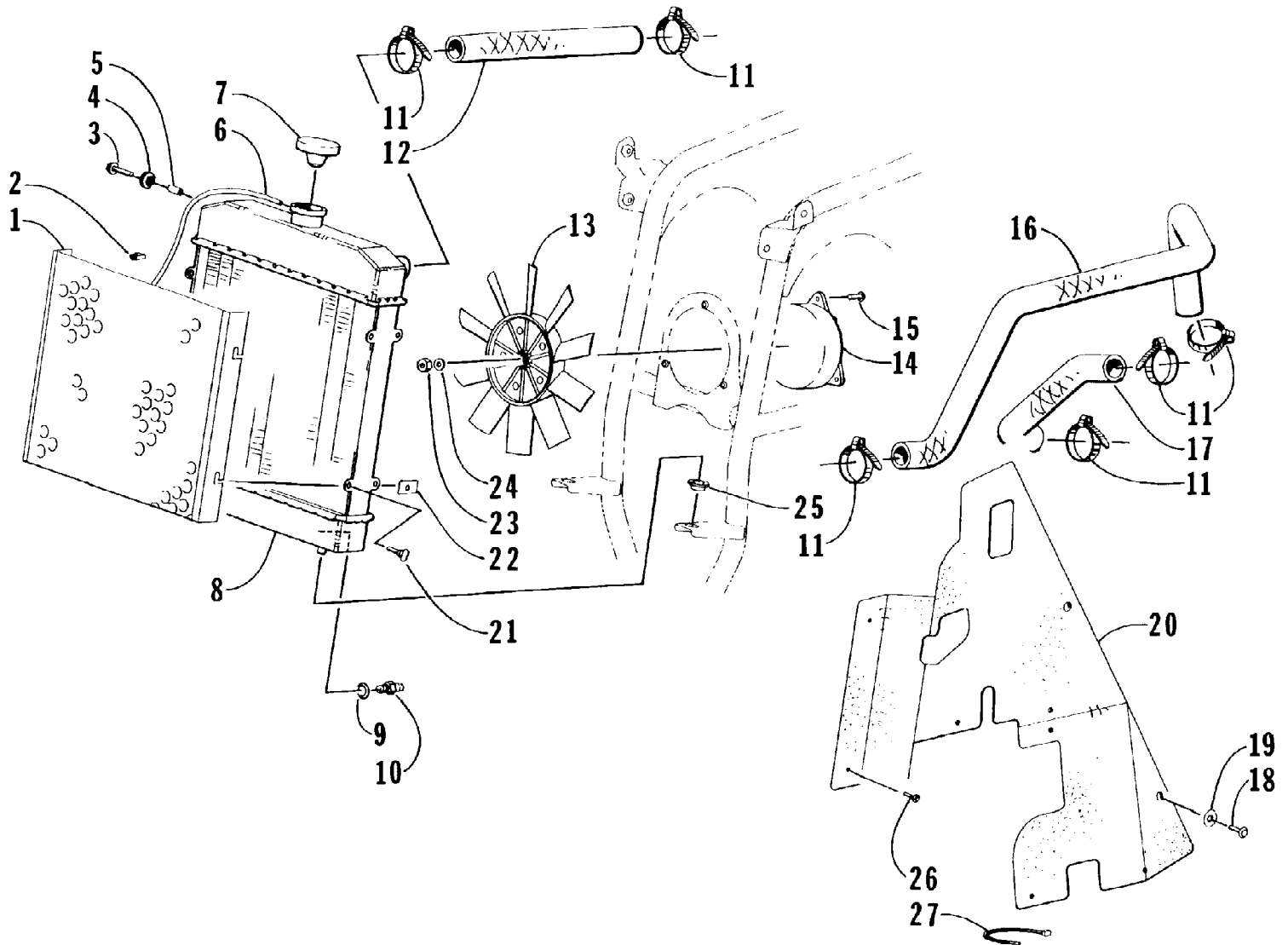
Ref #	Part Number	Qty	S/P/F	Description
1	3446-001	1	S	Housing, Starter Clutch
2	3446-003	1		Clutch, Primary Drive One Way
3	3446-010	1		Shoe, Starter Clutch
4	3423-081	1		Nut, Starter Clutch Shoe
5	3423-032	1		Washer, Starter Shoe
6	3423-122	1		Washer, Primary Driven
7	3423-186	1		Washer, Primary Driven
8	3446-002	1		Gear, Primary Driven - Assembly
9	3446-004	1		Hub, Clutch Sleeve
10	3423-079	4		Bolt, Clutch Spring
11	3446-005	4		Spring, Clutch
12	3446-006	6		Plate, Clutch Drive
13	3446-007	5		Plate, Clutch Driven
14	3446-008	1		Disk, Clutch Pressure
15	3446-009	1		Plate, Clutch Release
16	3423-080	1		Nut, Clutch Sleeve Hub
17	3423-032	1		Washer, Sleeve Hub
18	3446-011	1		Arm, Clutch Release
19	3423-082	1		Bolt, Clutch (No. 1)
20	3423-083	2		Bolt, Clutch (No. 2)
21	3446-012	1		Guide, Release Roller
22	3446-013	1	S	Roller, Clutch Release - Assembly
23	3423-125	1	S	Bolt, Clutch Release Arm
24	3008-014	1		Nut, Clutch Release (No. 2)
25	3423-022	1		Nut, Clutch Release (No. 1)
26	3423-027	1		Washer, Clutch (No.2)
27	3402-186	1	/P	Bearing, Clutch
28	3004-366	1	S	Washer, Clutch (No. 1)



1996 BEARCAT 4X4 (96A4A-AP-1996)
CONTROL SWITCH HOUSING ASSEMBLY

Page 16 of 96

Ref #	Part Number	Qty	S/P/F	Description
1	3509-001	1	S	Switch, Handle - Assembly (inc. 2-5)
2	3409-009	1		Lever, Choke
3	3409-010	1		Cover, Choke
4	3423-196	1		Screw, Cap
5	3423-197	1		Screw, Cap

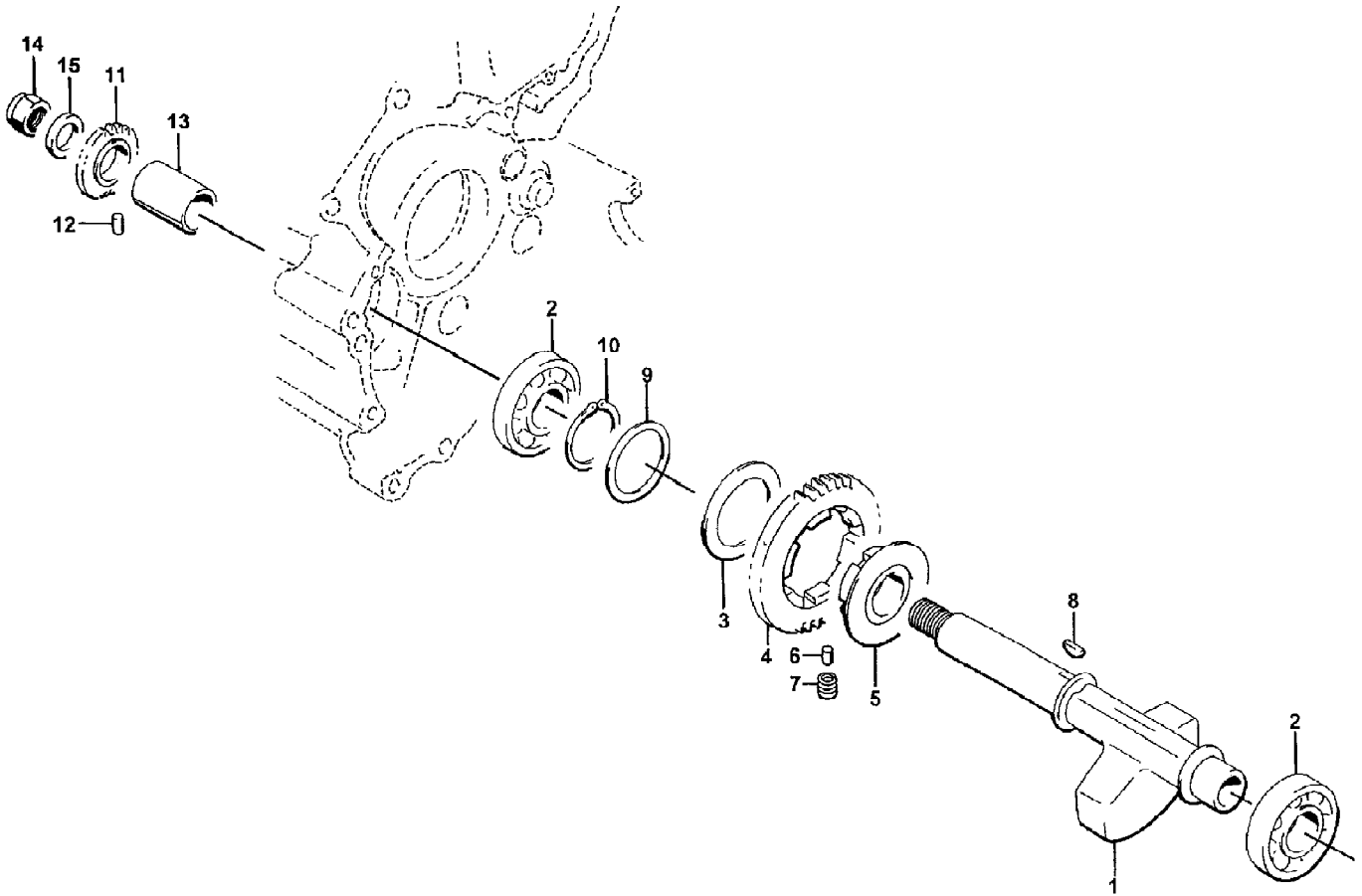


1996 BEARCAT 4X4 (96A4A-AP-1996)
COOLING ASSEMBLY

Page 18 of 96

Ref #	Part Number	Qty	S/P/F	Description
1	0413-007	1		Screen, Radiator
2	3002-964	2	/P	Clamp, Wire
3	8408-620	2		Screw, Cap
4	0423-030	2		Grommet
5	0423-036	2		Collar
6	0610-016	0	/P	Hose - 25 ft
7	0413-002	1	S	Cap, Radiator
8	0413-001	1		Radiator -Assembly (inc. 1, 4, 7, 9-10, and 21)
9	0423-062	1		O-Ring
10	0430-001	1	S	Switch, Temperature Sensor
11	0214-015	6		Clamp, Hose
12	0410-002	1		Hose, Coolant - Upper
13	0413-006	1		Blade, Fan
14	0413-004	1		Motor, Fan
15	8474-516	3		Screw, Machine
16	0410-001	1		Hose, Coolant - Lower
17	0410-003	1		Hose, Coolant - Crossover
18	8474-616	8		Screw, Machine
19	0423-010	8		Washer, Shoulder
20	0406-200	2		Panel, Fender - Inner
21	0413-009	4		Screw, Thumb
22	0423-031	4		Nut, Speed
23	0423-056	1		Nut, Jam - Left
24	8050-252	1		Washer
25	0423-028	2		Bushing, Stem
26	8477-616	4		Screw, Machine
27	0123-788	8	/P	Tie, Cable

1996 BEARCAT 4X4 (96A4A-AP-1996)
CRANK BALANCER ASSEMBLY



1996 BEARCAT 4X4 (96A4A-AP-1996)
CRANK BALANCER ASSEMBLY

Page 20 of 96

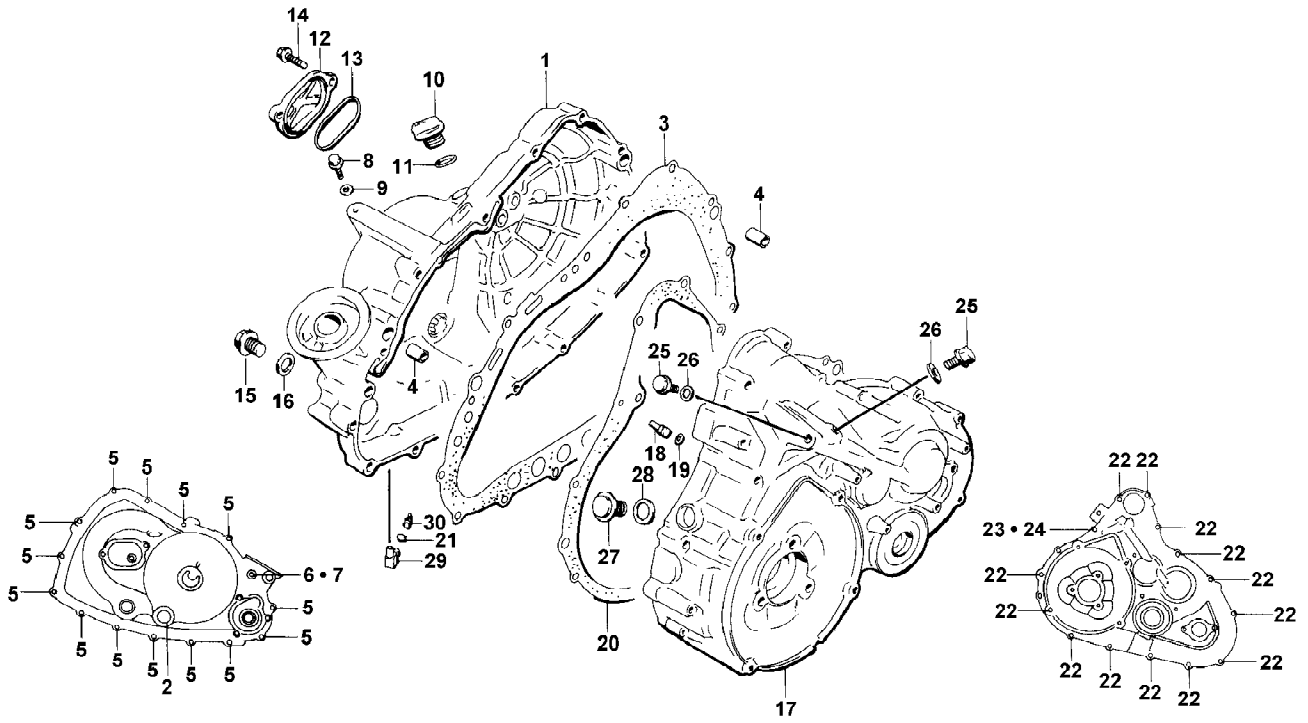
Ref #	Part Number	Qty	S/P/F	Description
1	3402-126	1		Balancer, Crank
2	3402-050	2		Bearing
3	3423-033	1		Washer
4	3402-128	1		Gear, Driven
5	3402-129	1		Race, Driven Gear Inner
6	3423-041	3	S	Pin
7	3402-090	6		Spring
8	3004-540	1	/P	Key
9	3423-107	1		Washer
10	3423-200	1	/P	Circlip
11	3402-150	1		Gear, Oil Pump Drive
12	3423-114	1	/P	Pin
13	3402-151	1		Spacer
14	3423-025	1		Nut
15	3423-029	1		Washer

1996 BEARCAT 4X4 (96A4A-AP-1996)
CRANKCASE ASSEMBLY

Page 22 of 96

Ref #	Part Number	Qty	S/P/F	Description
1	3402-104	1		Crankcase Set
2	3423-088	4		Pin
3	3423-091	3	S	Bolt
4	3423-092	6	S	Bolt
5	3423-094	2		Bolt
6	0693-303	4	S	Bolt
7	3423-093	2		Bolt
8	3423-095	1		Plug, Oil Gallery
9	3402-011	1		Gasket
10	3423-052	1		O-Ring
11	3423-009	3	/P	Bolt
12	3423-024	3		Nut
13	3004-278	3	S/P	Washer

1996 BEARCAT 4X4 (96A4A-AP-1996)
CRANKCASE COVER ASSEMBLY

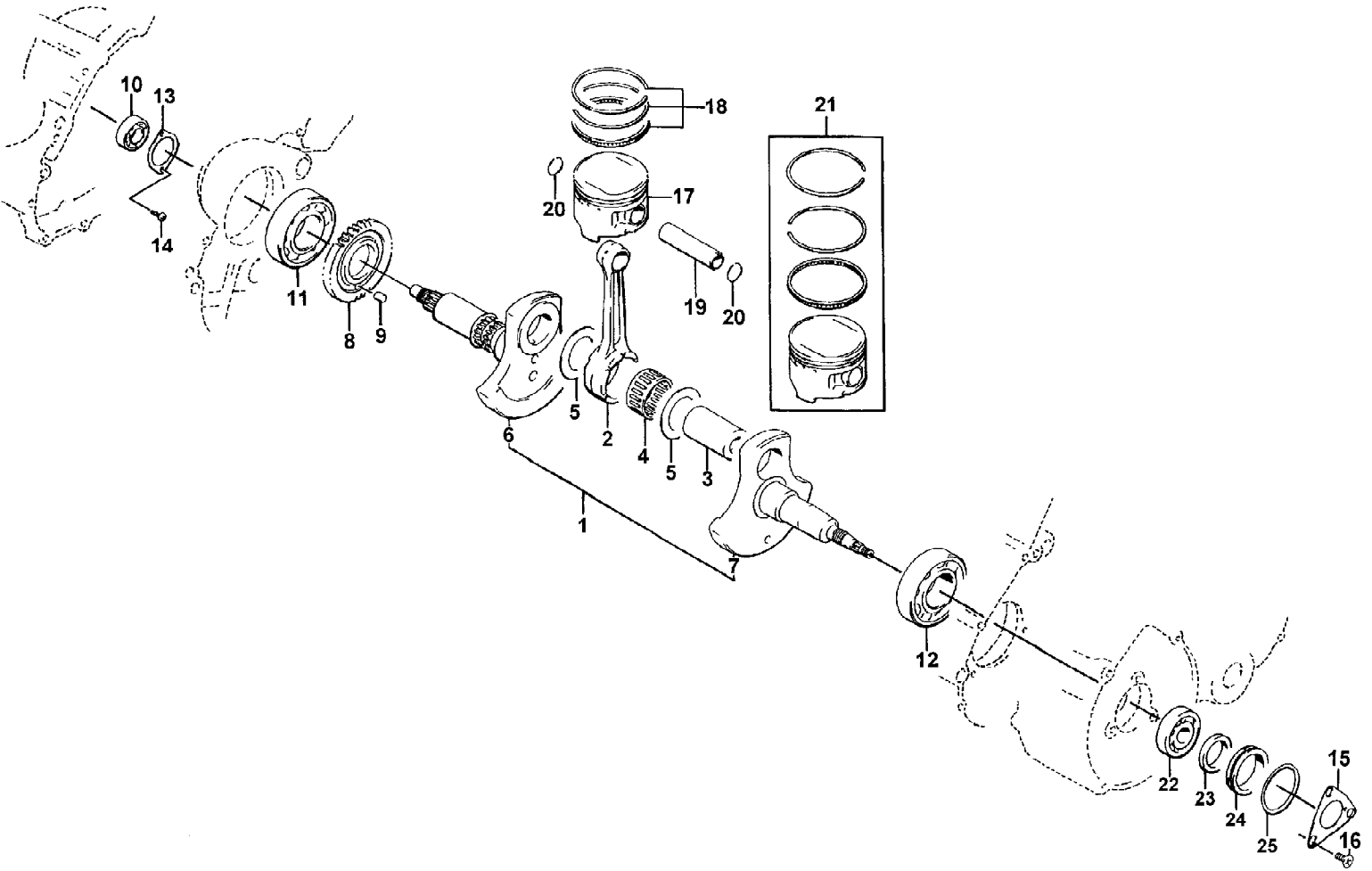


1996 BEARCAT 4X4 (96A4A-AP-1996)
CRANKCASE COVER ASSEMBLY

Page 24 of 96

Ref #	Part Number	Qty	S/P/F	Description
1	3402-105	1	S	Cover, Clutch (inc. 2)
2	3402-112	1	/P	Lens, Oil Inspection
3	3402-108	1		Gasket
4	3423-088	2		Pin
5	0693-327	14	S	Bolt
6	3423-097	1		Bolt
7	3003-290	1	/P	Gasket
8	3004-339	1	S/P	Plug, Oil Gallery
9	3402-009	1	/P	Gasket
10	3402-042	1		Cap, Engine Oil Filler
11	3423-055	1		O-Ring
12	3402-100	1		Cap, Inspection
13	3402-101	1		O-Ring
14	3423-096	2	S	Screw, Cap
15	3402-037	1		Plug, Oil Pressure
16	3402-012	1		Gasket
17	3402-106	1		Cover Set, Transfer (inc. 18-19)
18	3402-097	1		Jet, Oil Mission
19	3423-051	1		O-Ring
20	3402-109	1	S	Gasket
21	3423-120	1		Clip
22	3423-098	13	S	Bolt
23	3423-092	1	S	Bolt
24	3003-290	1	/P	Gasket
25	3004-705	2	S	Plug, Oil Gallery
26	3003-188	2	S/P	Gasket
27	3402-038	1		Plug
28	3402-013	1	/P	Gasket
29	3413-009	1		Union, Water Drain
30	3413-008	1		Hose

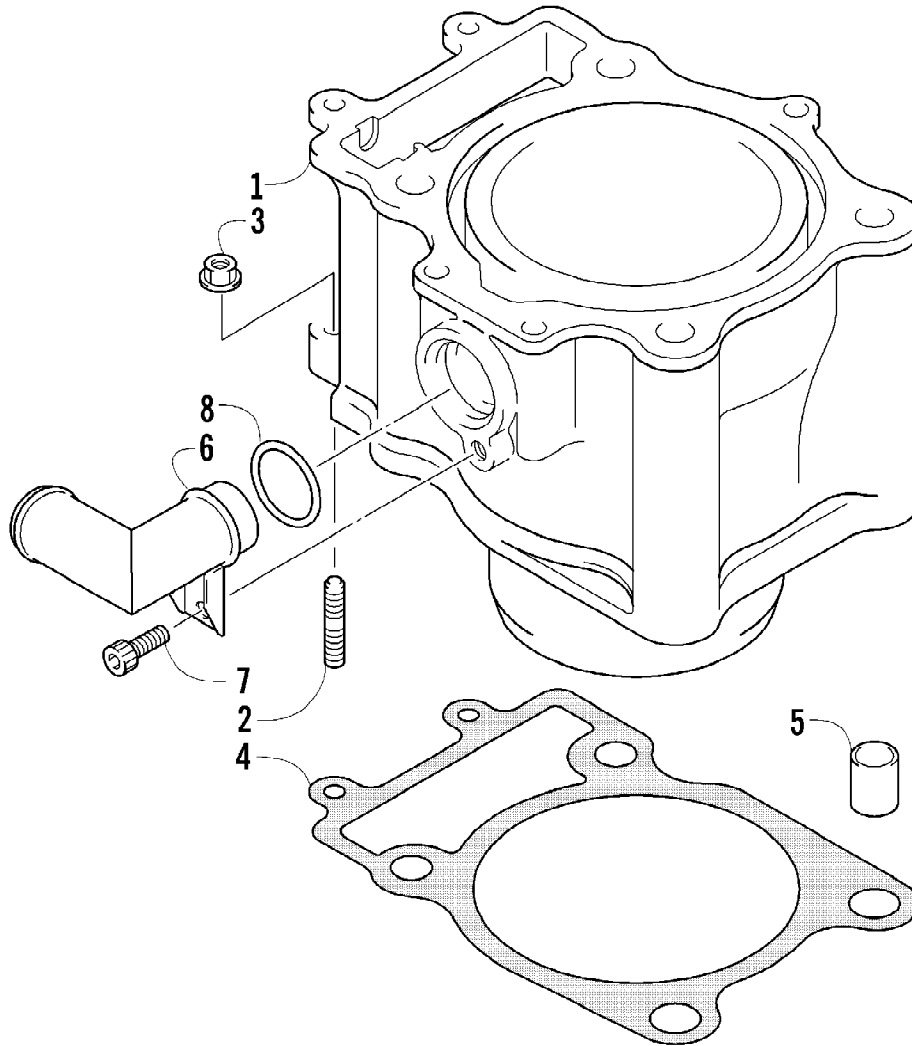
1996 BEARCAT 4X4 (96A4A-AP-1996)
CRANKSHAFT ASSEMBLY



1996 BEARCAT 4X4 (96A4A-AP-1996)
CRANKSHAFT ASSEMBLY

Page 26 of 96

Ref #	Part Number	Qty	S/P/F	Description
1	3402-115	1		Crankshaft - Assembly (inc. 2-7)
2	3402-111	1		Rod, Connecting
3	3402-116	1		Pin, Crank
4	3402-064	1		Bearing
5	3423-030	2		Washer
6	3402-117	1		Crankshaft - Right
7	3402-118	1		Crankshaft - Left
8	3402-127	1		Gear, Balancer Drive
9	3423-048	1		Pin
10	3402-044	1		Bearing - Right
11	3402-058	1		Bearing - Center
12	3402-054	1		Bearing - Left
13	3402-120	1		Retainer, Bearing - Right
14	3423-017	2		Screw, Cap
15	3402-188	1	/P	Retainer, Oil Seal - Left
16	3423-018	3		Screw, Cap
17	3402-113	1		Piston
18	3402-114	1		Ring Set, Piston
19	3402-110	1		Pin
20	3423-069	2		Circlip
21	3402-189	1	S	Piston Set (OS:0.5 mm)
21	3402-190	1		Piston Set (OS:1.0 mm)
22	3402-051	1		Bearing
23	3402-070	1		Seal, Oil
24	3402-119	1	S	Spacer
25	3423-063	1		O-Ring
26	3436-007	1	S	Ring Set (+.20 in.)
27	3436-008	1	S	Ring Set (+.40 in.)



1996 BEARCAT 4X4 (96A4A-AP-1996)
CYLINDER ASSEMBLY

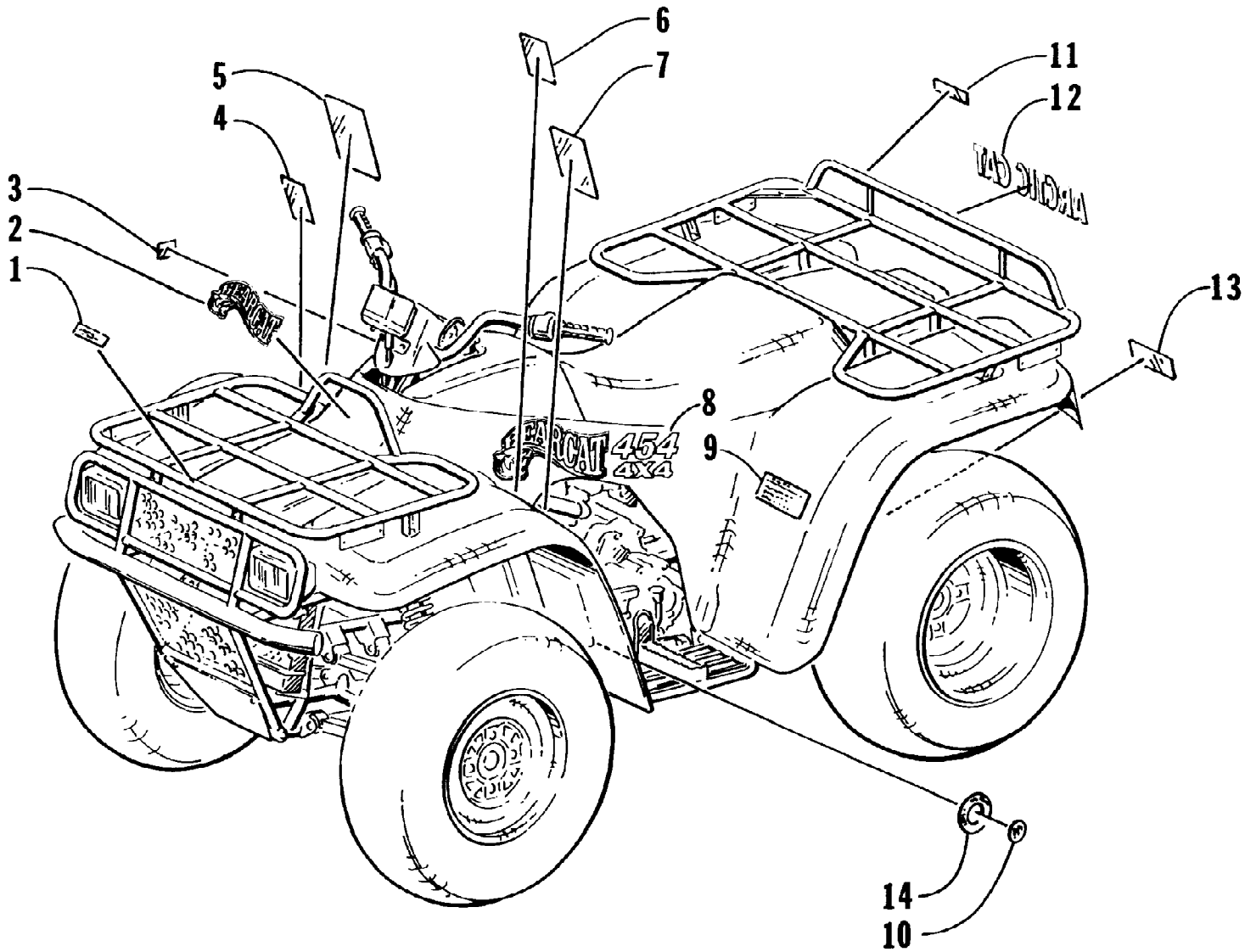
Page 28 of 96

Ref #	Part Number	Qty	S/P/F	Description
1	3402-102	1		Cylinder
2	3423-090	2		Bolt, Stud
3	3004-488	2	S/P	Nut
4	3402-103	1	S	Gasket, Cylinder
5	3423-088	2		Pin
6	3413-006	1		Union, Water Hose
7	3423-121	1	S	Bolt
8	3423-058	1		O-Ring

1996 BEARCAT 4X4 (96A4A-AP-1996)
CYLINDER HEAD ASSEMBLY

Page 30 of 96

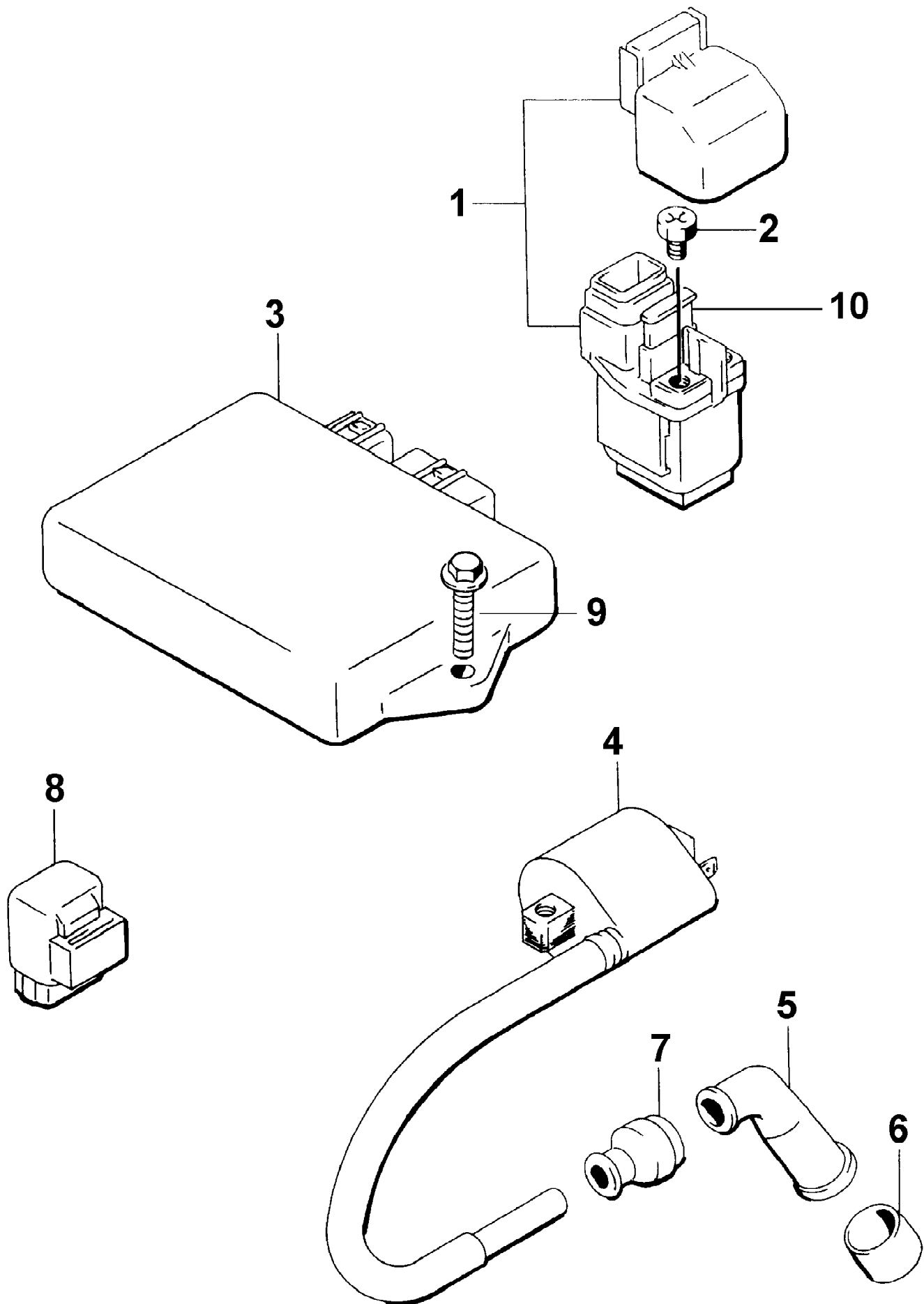
Ref #	Part Number	Qty	S/P/F	Description
	3402-107	1	S	Complete Gasket Set
1	3402-098	1		Head, Cylinder - Assembly (inc. 2-6)
2	3402-099	4		Guide, Valve
3	3423-068	4		Circlip
4	3423-043	2	/P	Pin
5	3423-006	4		Bolt
6	3008-376	2	S	Bolt
7	3402-163	1		Gasket, Cylinder Head
8	3423-088	2		Pin
9	3423-015	2		Bolt
10	3423-016	2		Bolt
11	3423-089	2	S	Bolt, Cylinder Head Stud
12	3423-087	2	S	Bolt, Cylinder Head Stud
13	3004-492	1	/P	Bolt, Stud
14	3423-007	2	S	Bolt
15	3004-376	4	S/P	Bolt
16	3004-488	4	S/P	Nut
17	3004-326	1	S/P	Nut
18	3003-290	4	/P	Gasket
19	3402-010	4		Gasket, Head Nut
20	0217-705	1	/P	Spark Plug (NGK CR8E)
21	3402-100	2		Cap, Inspection
22	3402-101	2		O-Ring
23	3004-341	4	S/P	Bolt
24	3402-035	1		Plug, Cylinder Head
25	3402-149	1		Pipe, Intake - Assembly (inc. 26)
26	3423-062	1	S	O-Ring
27	3423-019	2		Screw, Cap
28	3402-086	1	/P	Clamp
29	3004-341	2	S/P	Bolt
30	3413-005	1	S	Thermostat
31	3530-005	1		Switch, Water Temp - Assembly
32	3413-004	1		Cover, Thermostat



1996 BEARCAT 4X4 (96A4A-AP-1996)
DECALS

Page 32 of 96

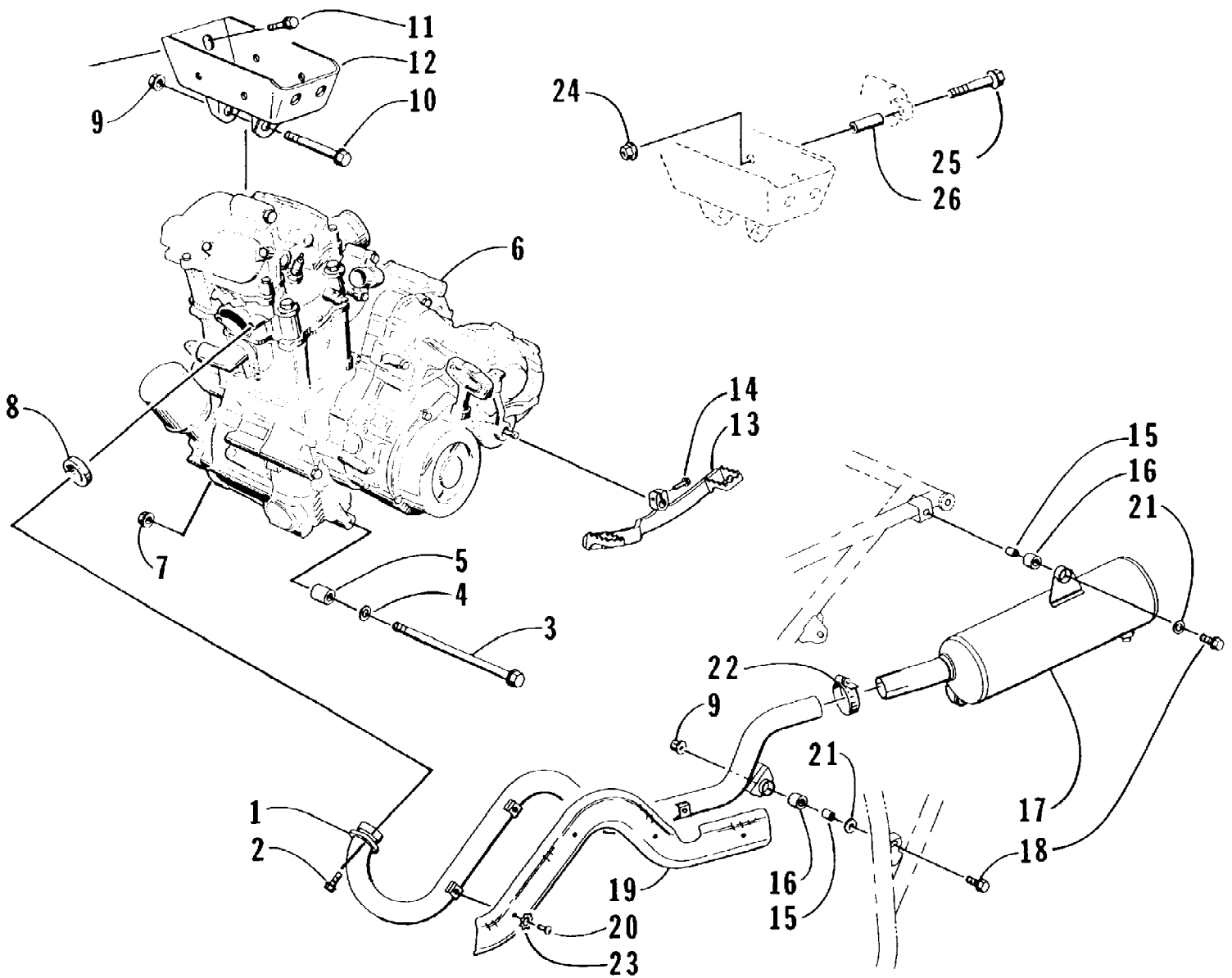
Ref #	Part Number	Qty	S/P/F	Description
1	0411-006	1		Decal, Warning - Front Rack Load
2	0411-018	1		Decal, "Bearcat" - Front
3	0411-011	1		Decal, Caution - Electrical
4	0411-045	1		Decal, Warning - Turn
5	0411-008	1	/P	Decal, Warning Reverse/Pre Ride
6	0411-040	1		Decal, Warning - Age
7	0411-010	1		Decal, Warning - General
8	0411-014	1		Decal, "Bearcat" - Side Right
8	0411-015	1		Decal, "Bearcat" - Side Left
9	0411-012	1		Decal, Warning - Tire Pressure
10	0411-003	1		N/A
11	0411-007	1		Decal, Warning - Rear Rack Load
12	0411-043	1	/P	Decal, "Arctic Cat"
13	0411-013	1		Decal, Warning - Towing
14	0411-009	1		Decal, Hi/Low Range
15	0411-003	1		Decal, Shift Pattern



1996 BEARCAT 4X4 (96A4A-AP-1996)
ELECTRICAL COMPONENTS ASSEMBLY

Page 34 of 96

Ref #	Part Number	Qty	S/P/F	Description
1	3530-001	1	/P	Relay, Starter Motor - Assembly
2	3423-020	2	/P	Bolt
3	3530-003	1		CDI Unit
4	3530-004	1	/P	Coil, Ignition - Assembly
5	3430-007	1	/P	Cap, Spark Plug
6	3430-008	1	/P	Seal, Spark Plug
7	3430-009	1	/P	Seal, High Tension Cord
8	3530-008	1	S	Relay, Neutral Start - Assembly
9	8408-616	2		Screw, Cap

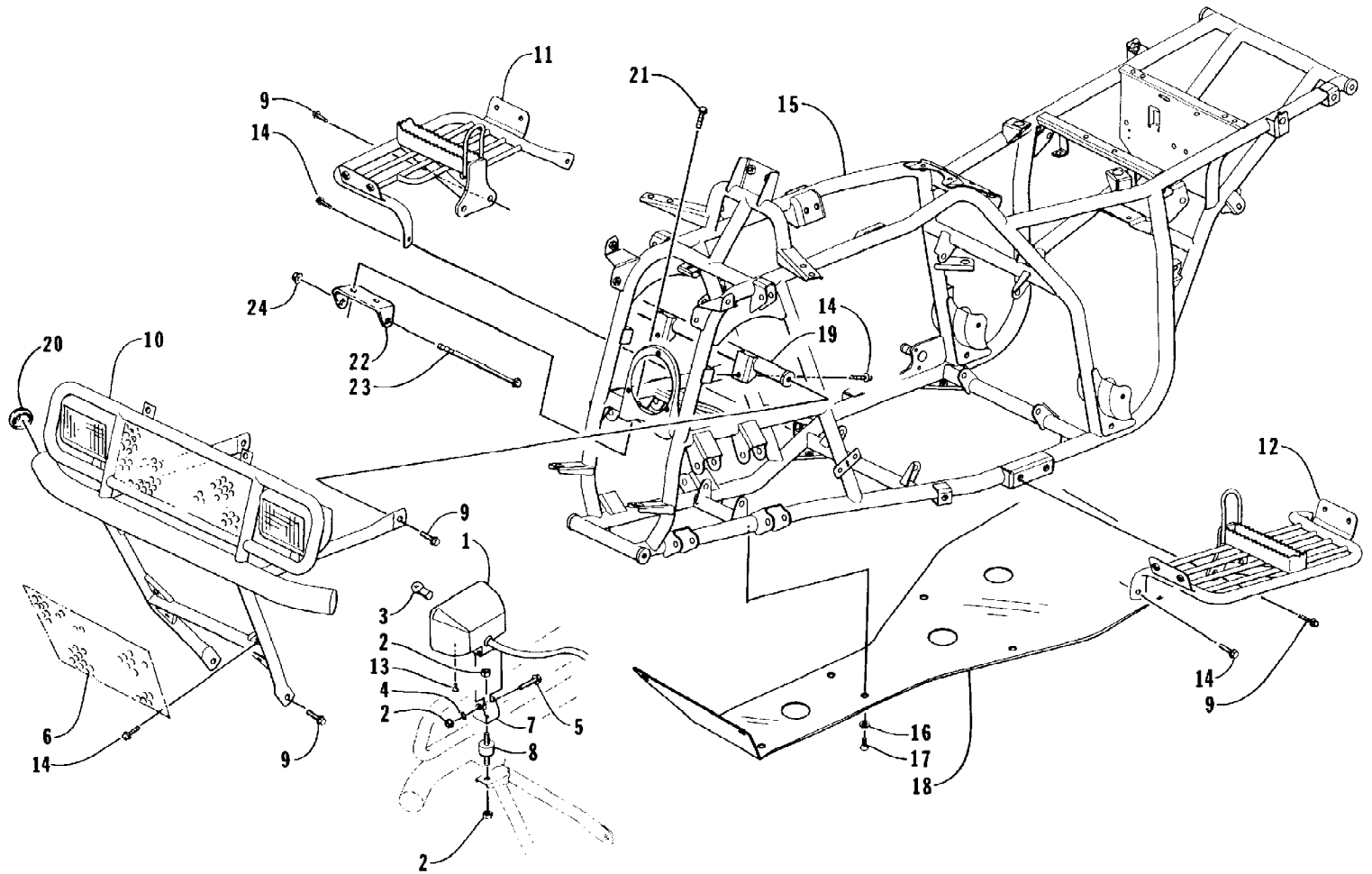


1996 BEARCAT 4X4 (96A4A-AP-1996)
ENGINE AND EXHAUST

Page 36 of 96

Ref #	Part Number	Qty	S/P/F	Description
1	0512-001	1		Pipe, Exhaust
2	8408-820	2	/P	Screw, Cap
3	3423-003	3	S	Screw, Cap
4	0423-050	3		Washer, Motor
5	0423-042	1	S	Spacer, Engine
6	0462-001	1	S	Engine
7	8428-002	3		Nut, Lock
8	0412-007	1	/P	Seal, Exhaust
9	8474-813	1		Nut, Jam
10	8408-860	1		Screw, Cap
11	8408-020	4		Screw, Cap
12	0506-083	1		Bracket, Upper Motor
13	0502-016	1	S	Lever, Shift
14	8408-620	1		Screw, Cap
15	0412-003	3		Spacer, Exhaust
16	0412-004	3		Bushing, Rubber
17	0412-005	1	S	Muffler
18	8408-830	3		Screw, Cap
19	0406-224	1		Cover, Exhaust
20	8477-610	4		Screw, Machine
21	8050-252	3		Washer
22	0214-015	1		Clamp
23	8053-211	4	S	Washer, Star
24	8424-602	2	/P	Nut
25	8408-640	2		Screw, Cap
26	0107-630	2		Spacer

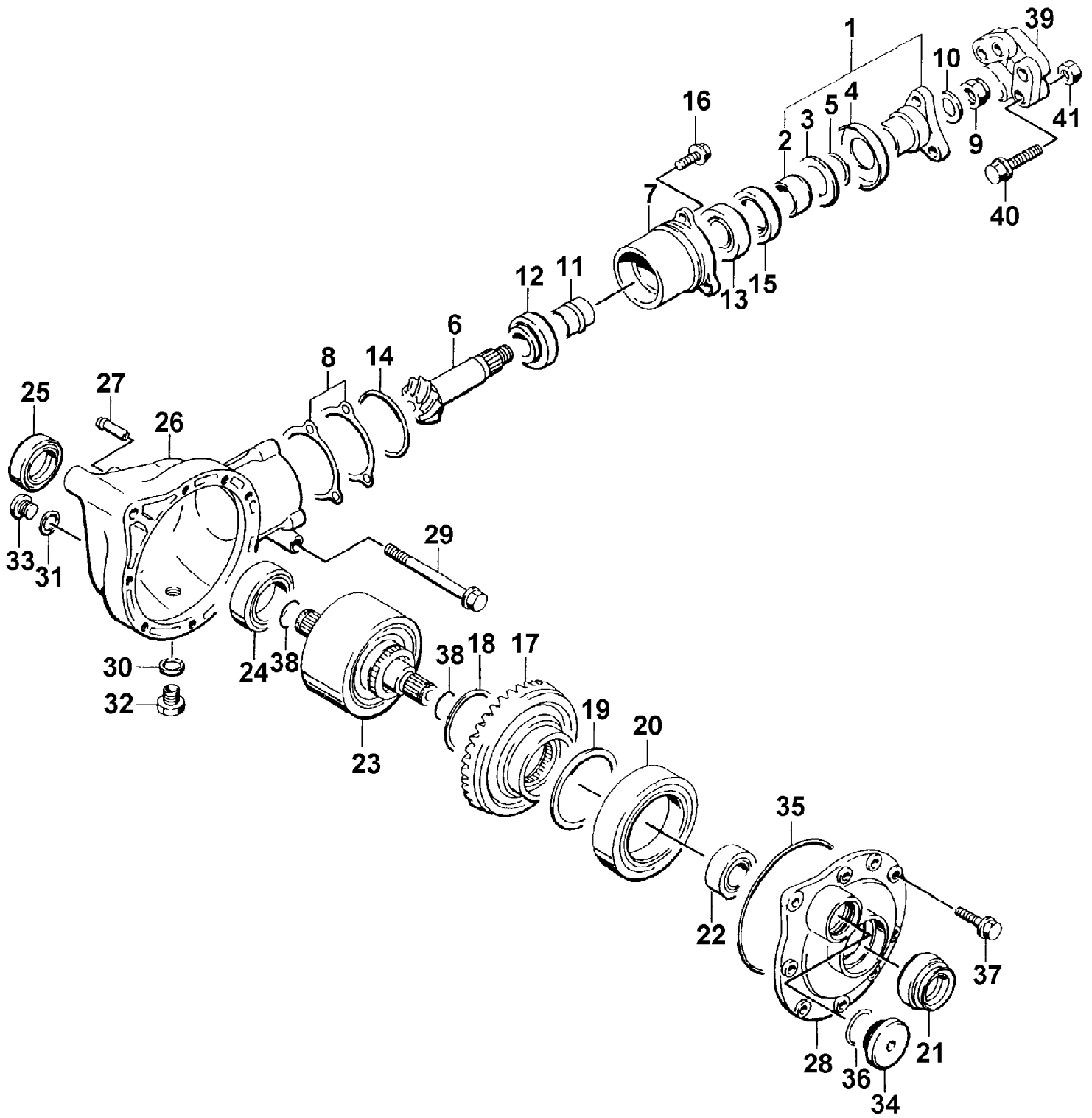
1996 BEARCAT 4X4 (96A4A-AP-1996)
FRAME AND RELATED PARTS



1996 BEARCAT 4X4 (96A4A-AP-1996)
 FRAME AND RELATED PARTS

Page 38 of 96

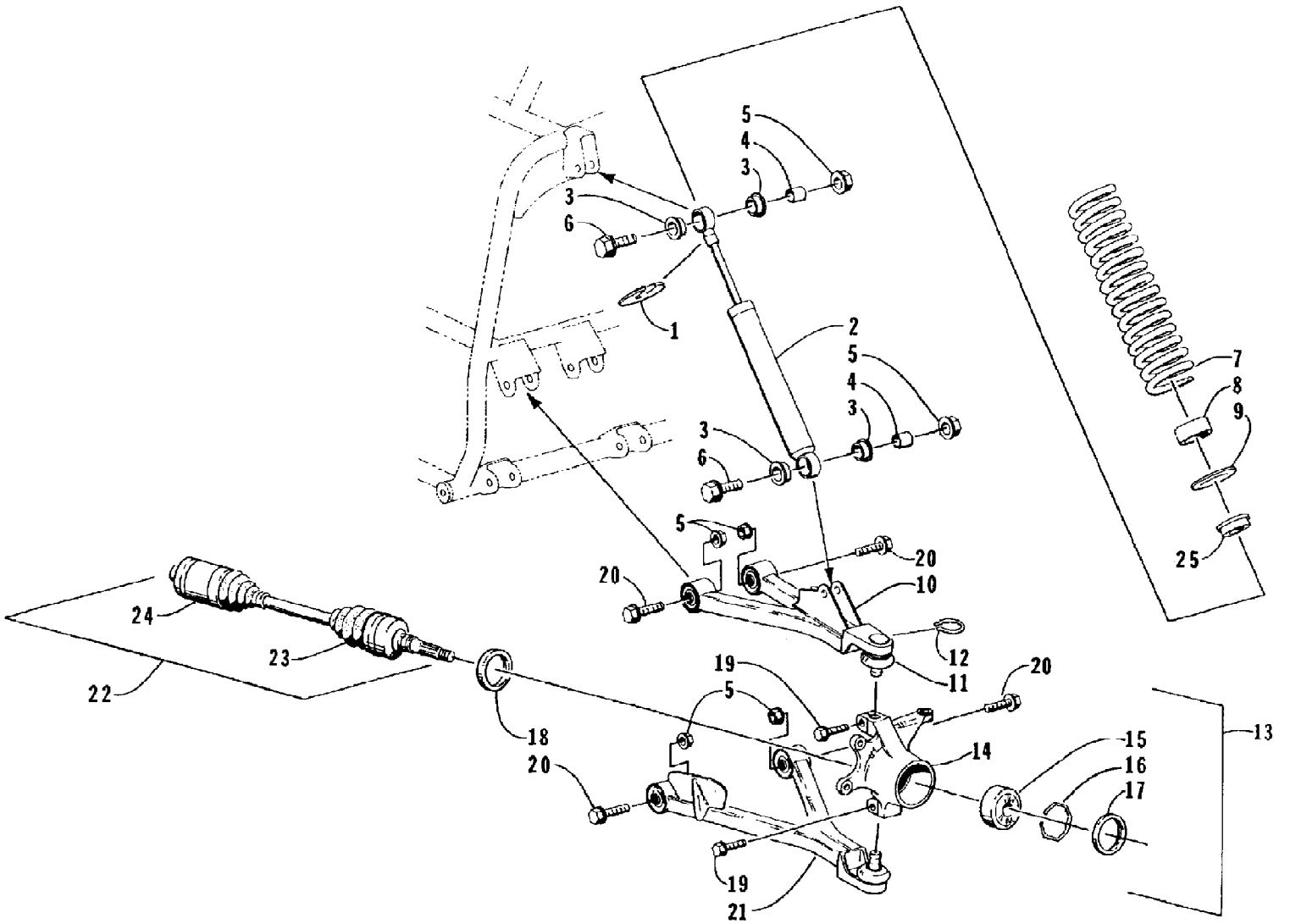
Ref #	Part Number	Qty	S/P/F	Description
1	0409-001	2		Headlight
2	8424-802	6		Nut
3	0409-005	2		Bulb, Headlight
4	8053-242	2	/P	Washer, Lock
5	8408-850	2		Screw, Cap
6	0406-175	1		Screen, Bumper
7	0406-261	2		Yoke, Headlight
8	0406-262	2	S	Mount, Headlight
9	8409-020	8	/P	Screw, Cap
10	0506-075	1	S	Bumper - Front
11	0506-066	1		Footrest - Right
12	0506-067	1		Footrest - Left
13	0123-950	2		Screw, Machine
14	8408-816	10		Screw, Cap
15	0506-133	1		Frame
16	0423-010	10		Washer, Shoulder
17	8474-616	10		Screw, Machine
18	0406-095	1	S	Panel, Belly
19	0506-079	1		Tube, Cross
20	0406-130	2		Cap, Bumper



1996 BEARCAT 4X4 (96A4A-AP-1996)
FRONT BEVEL GEAR ASSEMBLY

Page 40 of 96

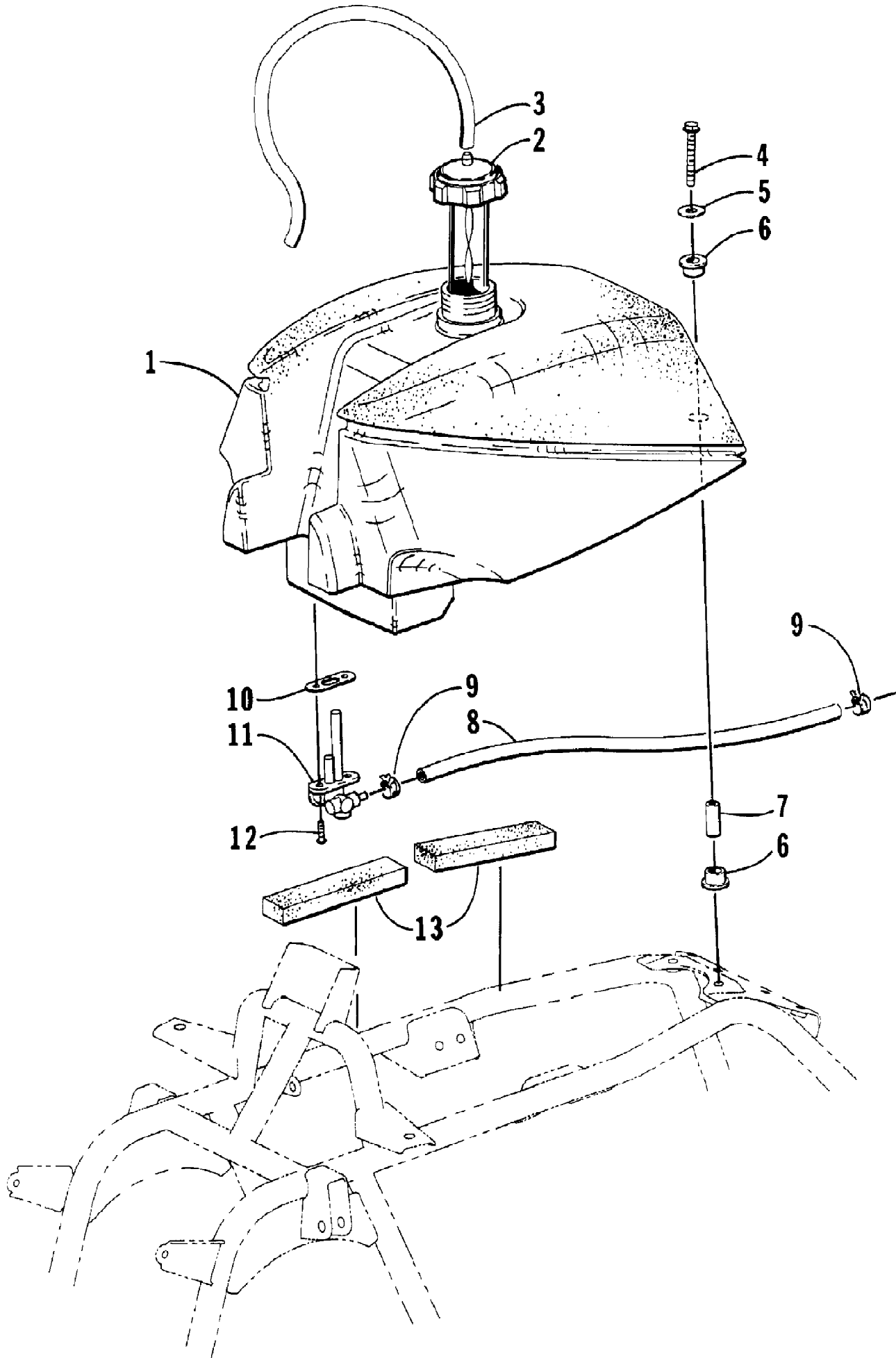
Ref #	Part Number	Qty	S/P/F	Description
1	3435-009	1	S	Flange, Gear (inc. 2-5)
2	3435-029	1		Collar, Gear
3	3435-030	1		Plate, Oil Seal
4	3423-034	1		Plate, Gear
5	3423-060	1		O-Ring, Collar
6	3435-014	1		Gear, Bevel
7	3435-021	1		Housing, Bevel Gear
8	3435-022	1		Shim Set, Housing
9	3423-026	1	S	Nut, Gear
10	3423-028	1		Washer, Bevel Gear
11	3402-016	1		Spacer, Bevel Gear
12	3402-065	1		Bearing
13	3402-066	1	/P	Bearing
14	3423-064	1		O-Ring
15	3402-072	1		Seal, Joint
16	3423-175	1	S	Bolt, Housing
17	3435-018	1	/P	Gear
18	3435-017	1		Shim Set
19	3435-020	1		Shim Set
20	3402-059	1		Bearing
21	3402-072	1		Seal - Left
22	3402-185	1		Bearing - Left
23	3435-013	1		Differential - Assembly
24	3402-057	1		Bearing, Differential Case - Right
25	3402-072	1		Seal, Output Oil
26	3435-024	1		Housing (inc. 27)
27	3402-084	1		Union, Breather
28	3435-025	1		Case, Bearing
29	3423-010	2	/P	Bolt, Mounting
30	3402-012	1		Gasket, Oil Drain Plug
31	3402-013	1	/P	Gasket, Oil Filler Plug
32	3402-036	1	S	Plug, Oil Drain
33	3402-041	1	S	Plug, Oil Filler
34	3423-183	1		Plug
35	3423-050	1		O-Ring
36	3423-050	1		O-Ring
37	3423-175	8	S	Bolt
38	3423-070	2		Ring, Driveshaft - Front
39	3435-007	1		Coupling, Propeller Shaft
40	3423-182	6	S	Bolt
41	3004-491	6	S/P	Nut



1996 BEARCAT 4X4 (96A4A-AP-1996)
FRONT SUSPENSION ASSEMBLY

Page 42 of 96

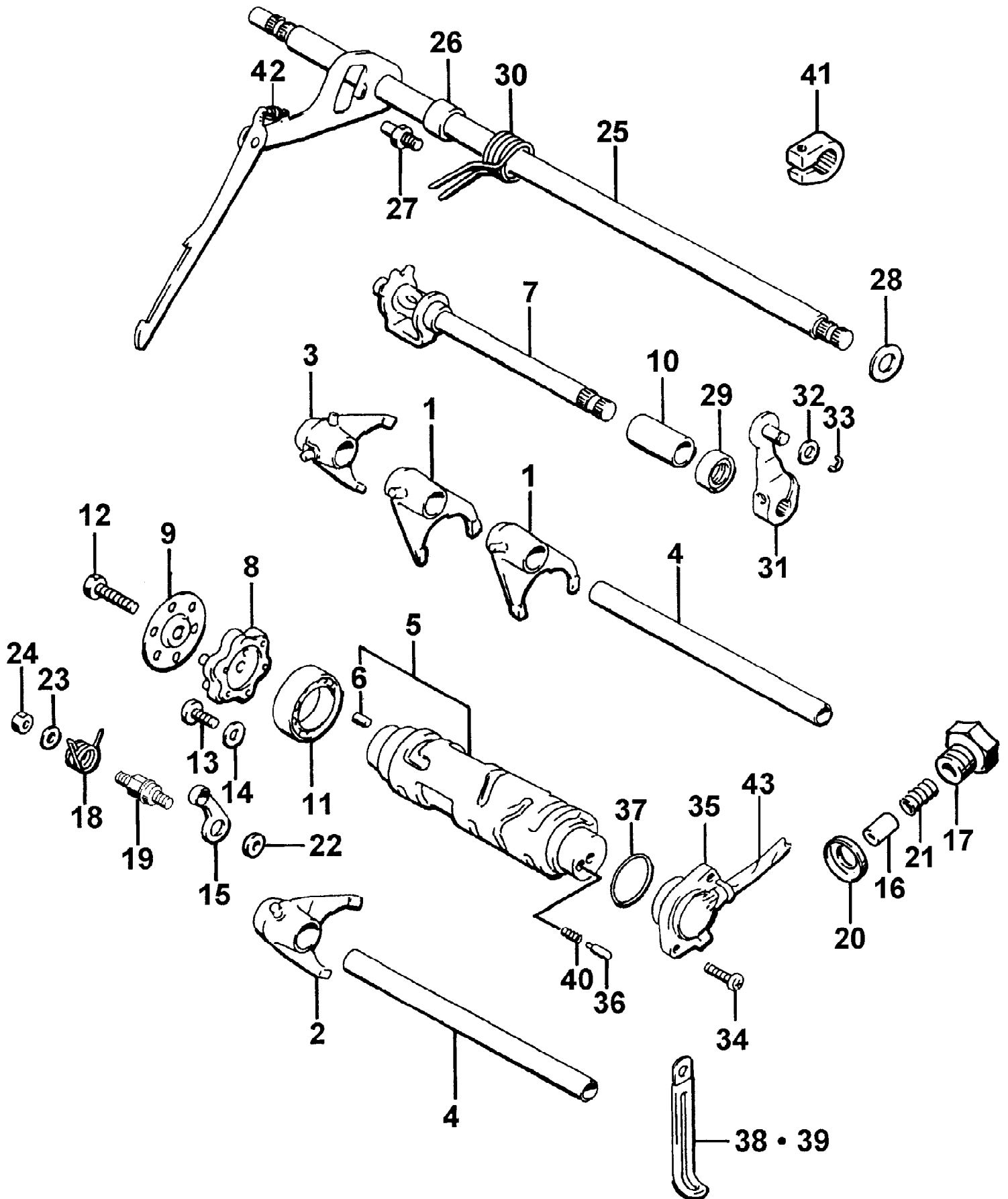
Ref #	Part Number	Qty	S/P/F	Description
1	0603-033	2	S	Retainer, Spring
2	0403-001	2		Shock Absorber - Front (inc. 3-4)
3	0604-310	8		Bushing, Shock Absorber
4	0403-028	4		Sleeve, Shock
5	8478-013	12		Nut, Lock
6	8409-040	4		Screw, Cap
7	0403-002	2		Spring, Front
8	0403-025	2	/P	Collar, Spring
9	0403-013	2		Washer, Spring
10	0503-016	1	S	A-Arm, Upper Right - Ass'y (inc. two No. 11-12)
10	0503-017	1	S	A-Arm, Upper Left - Ass'y (inc. two No. 11-12)
11	0405-001	4	S	Ball Joint - Front
12	0423-009	2	/P	Clip, Retaining
13	0505-016	1	S	Knuckle - Assembly - Right (inc. 14-18)
13	0505-017	1	S	Knuckle - Assembly - Left (inc. 14-18)
14	0505-010	1	S	Knuckle, Steering - Right
14	0505-011	1	S	Knuckle, Steering - Left
15	0402-085	2	S	Bearing, Wheel Hub - Front
16	0423-034	2		Clip, Bearing
17	0402-089	2		Seal, Wheel Bearing - Front
18	0402-069	2		Seal, Wheel Bearing - Front
19	8409-030	4		Screw, Cap
20	8409-060	8		Screw, Cap
21	0503-013	1	S	A-Arm, 4x4 Lower Left (inc. two No. 11-12)
21	0503-012	1	S	A-Arm, 4x4 Lower Right (inc. two No. 11-12)
22	0402-098	2	S	Axle, Drive - Front
23	0436-038	2		Repair Kit, Outer Boot - Front Axle
24	0436-037	2		Repair Kit, Inner Boot - Front Axle
25	0403-027	2		Retainer, Spring - Lower



1996 BEARCAT 4X4 (96A4A-AP-1996)
FUEL TANK ASSEMBLY

Page 44 of 96

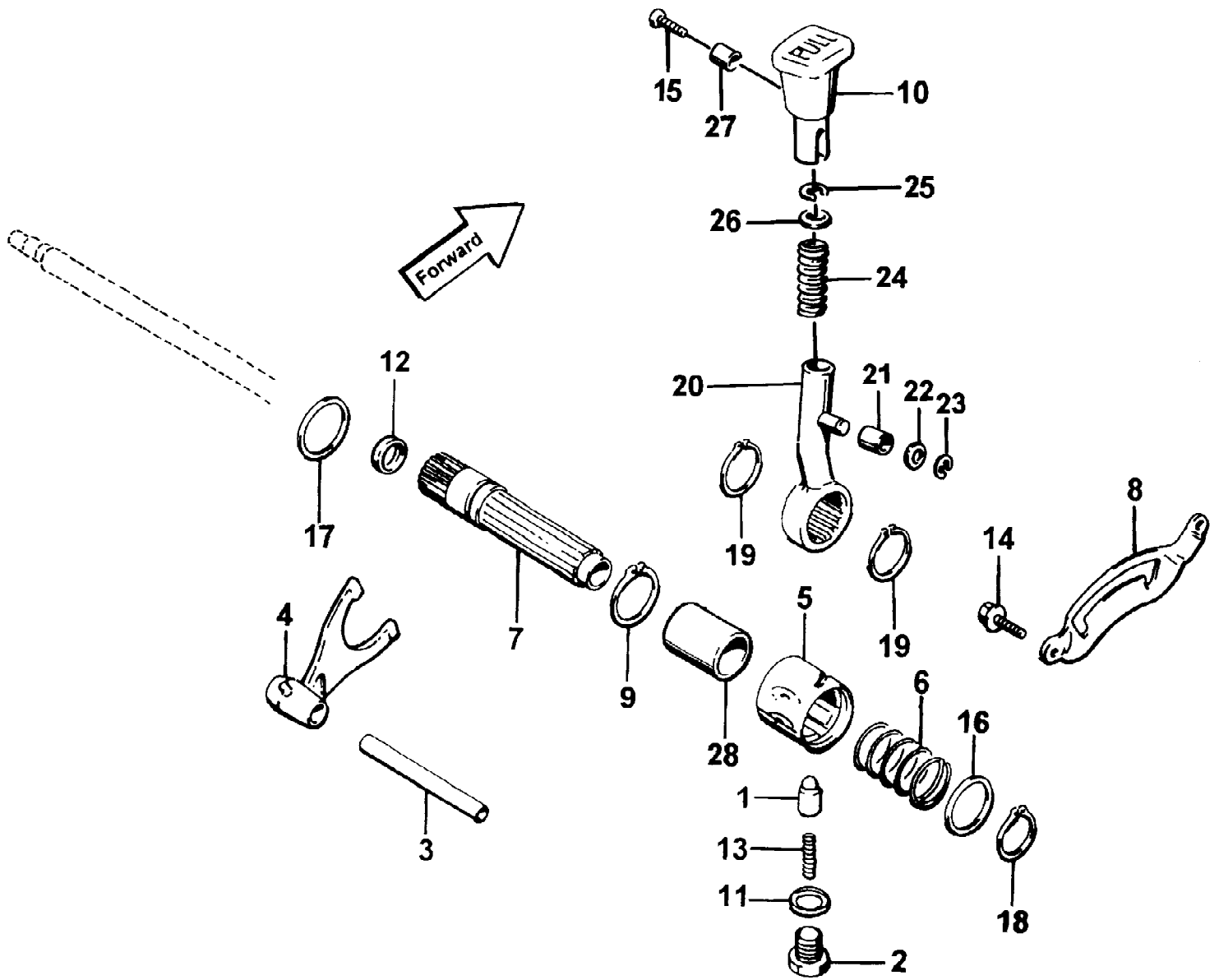
Ref #	Part Number	Qty	S/P/F	Description
1	0570-003	1	S	Tank, Fuel (inc. 2 and 6-9)
2	0470-315	1	S	Cap, Fuel Tank (inc. 3)
3	0470-316	1		Line, Fuel Cap Vent
4	8408-650	2		Screw, Cap
5	0623-184	2		Washer
6	0406-169	4		Bushing, Fuel Tank Mount
7	0406-170	2		Collar, Fuel Tank Mount
8	0610-007	1	/P	Line, Fuel
9	0423-048	2		Clamp, Hose - Spring
10	0	1	F	Gasket, Fuel
11	0470-314	1	S	Valve, Shut-Off (inc. 10)
12	8471-616	2		Screw, Cap
13	0417-001	4		Pad, Fuel Tank



1996 BEARCAT 4X4 (96A4A-AP-1996)
GEAR SHIFTING ASSEMBLY

Page 46 of 96

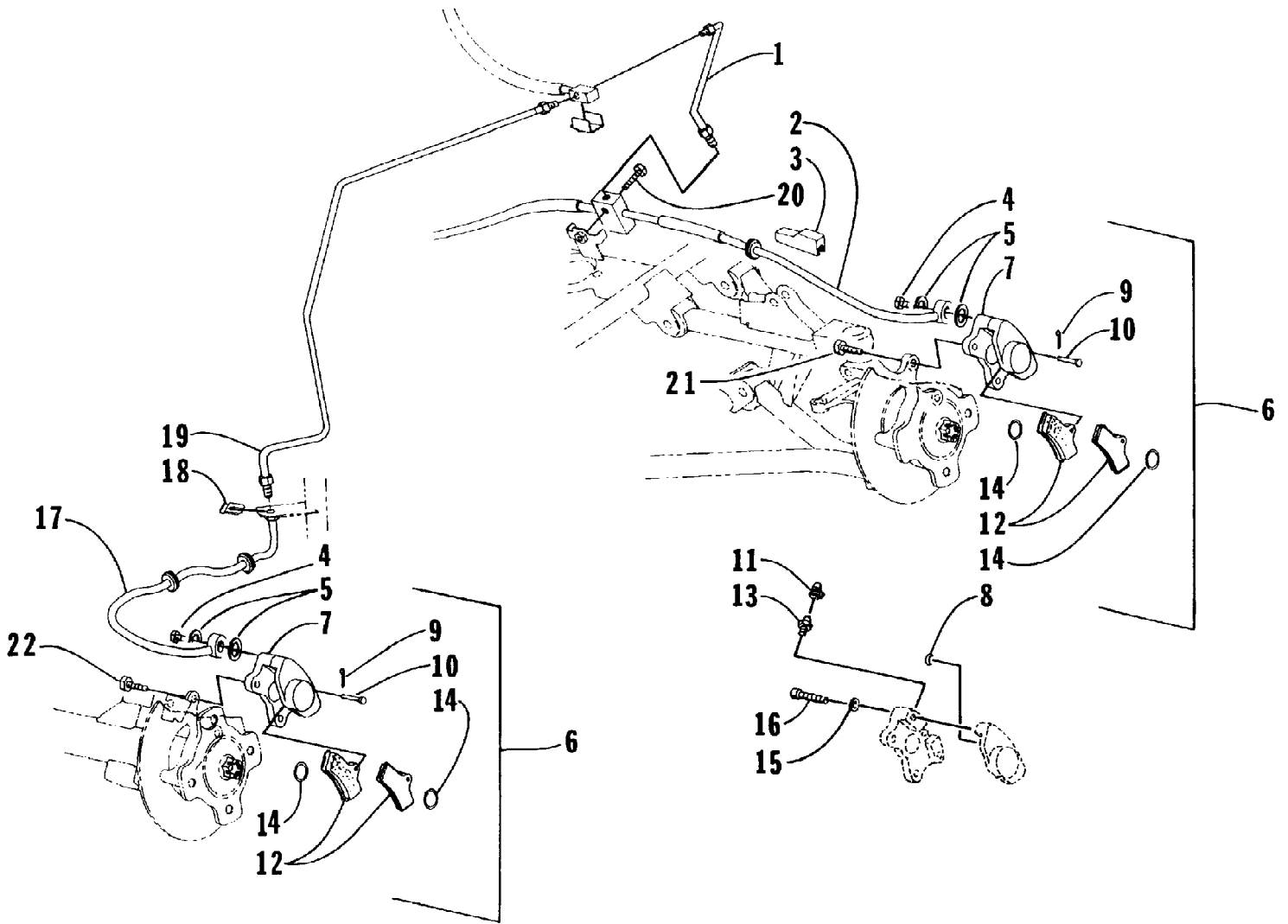
Ref #	Part Number	Qty	S/P/F	Description
1	3446-038	2		Fork, (No. 2)
2	3446-039	1		Fork, (No. 3)
3	3446-040	1		Fork, Reverse
4	3446-052	2		Shaft, Gear Shift Fork
5	3446-041	1		Cam, Gear Shift (inc. 6)
6	3423-114	1	/P	Pin, Gear Shift
7	3446-042	1		Cam, Reverse Shift
8	3446-049	1		Plate, Gear Shift Cam
9	3446-050	1	S	Guide, Gear Shift Cam Plate
10	3402-014	1		Spacer, Reverse Shift Cam
11	3402-051	1		Bearing, Gear Shift Cam
12	3004-376	1	S/P	Bolt, Gear Shift Cam Plate
13	3004-552	2	S	Screw, Cam Bearing Retainer
14	3423-135	2		Retainer, Bearing
15	3446-043	1		Stopper, Gear Shift Cam
16	3446-044	1		Stopper, Reverse Shift Cam
17	3446-046	1		Housing, Reverse Cam Stopper
18	3446-047	1		Spring, Shift Cam Stopper Arm
19	3446-048	1		Support, Shift Cam Stopper
20	3402-012	1		Gasket, Cam Stopper Housing
21	3402-088	1		Spring, Reverse Cam Stopper
22	3423-141	1		Washer, Gear Shift Cam
23	3423-142	1		Washer, Cam Stopper Arm
24	3004-488	1	S/P	Nut, Cam Stopper Arm Support
25	3446-053	1	S	Shaft, Gear Shift
26	3446-054	1		Spacer, Gear Shift Shaft
27	3446-056	1		Stopper, Gear Shift Arm
28	3402-068	1	/P	Seal, Gear Shift Shaft Oil
29	3402-076	1		Seal, Reverse Shift Oil
30	3402-094	1		Spring, Gear Shift Return
31	3446-055	1		Arm, Reverse Gear Shift
32	3004-366	1	S	Washer, Gear Shift Cable Arm
33	3423-168	1	S	E Ring, Gear Shift Cable Arm
34	3423-166	2	S	Screw, Cap
35	3530-007	1	S	Base Assembly
36	3423-044	1		Contact, Neutral
37	3423-059	1		O-Ring, Neutral
38	3004-787	1		Clamp
39	3004-761	1		Clamp
40	3402-087	1		Spring
41	3402-008	1	/P	Hub, Gear Shift
42	3402-093	1		Spring, Gear Shift
43	0706-990	AR	/P	Tape, Foil



1996 BEARCAT 4X4 (96A4A-AP-1996)
HI/LO SHIFTER ASSEMBLY

Page 48 of 96

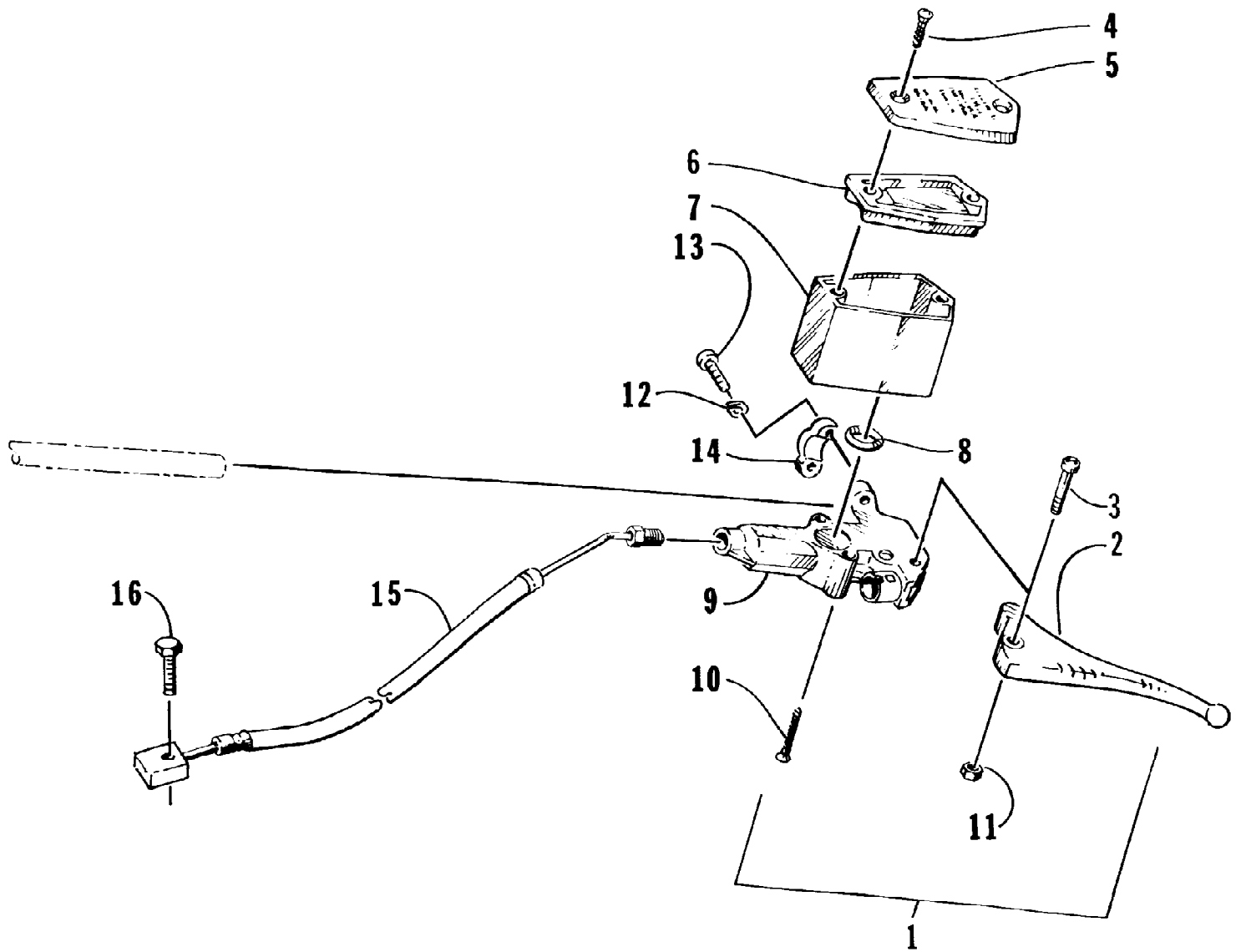
Ref #	Part Number	Qty	S/P/F	Description
1	3446-045	1	S	Stopper, Driven Gear
2	3446-046	1		Housing, Shift Stop
3	3446-051	1		Shaft, Fork
4	3446-073	1		Fork, Shift
5	3446-074	1		Cam, Shift
6	3446-075	2		Spring
7	3446-076	1		Shaft, Shift
8	3446-077	1		Plate, Lever Stop
9	3423-193	1	S/P	Circlip, Shaft - Left
10	3446-078	1		Knob
11	3402-012	1		Gasket, Cam Stop
12	3402-071	1	/P	Seal, Oil
13	3402-089	1		Spring
14	3004-377	2	S/P	Bolt, Stopper Plate
15	3423-156	1	S	Screw, Shift Knob
16	3423-157	1		Washer, Cam Stop
17	3423-158	1	/P	Washer, Shaft - Left
18	3423-191	1	/P	Circlip, Cam Spring
19	3423-192	2	/P	Circlip, Shift Lever
20	3446-079	1	S	Lever, Shift - Assembly (inc. 21-26)
21	3446-106	1		Collar
22	3423-152	1	/P	Washer
23	3423-153	1		E-Clip
24	3446-107	1		Spring
25	3423-154	1		Circlip
26	3423-155	1		Washer
27	3402-191	1		Spacer



1996 BEARCAT 4X4 (96A4A-AP-1996)
HYDRAULIC BRAKE ASSEMBLY

Page 50 of 96

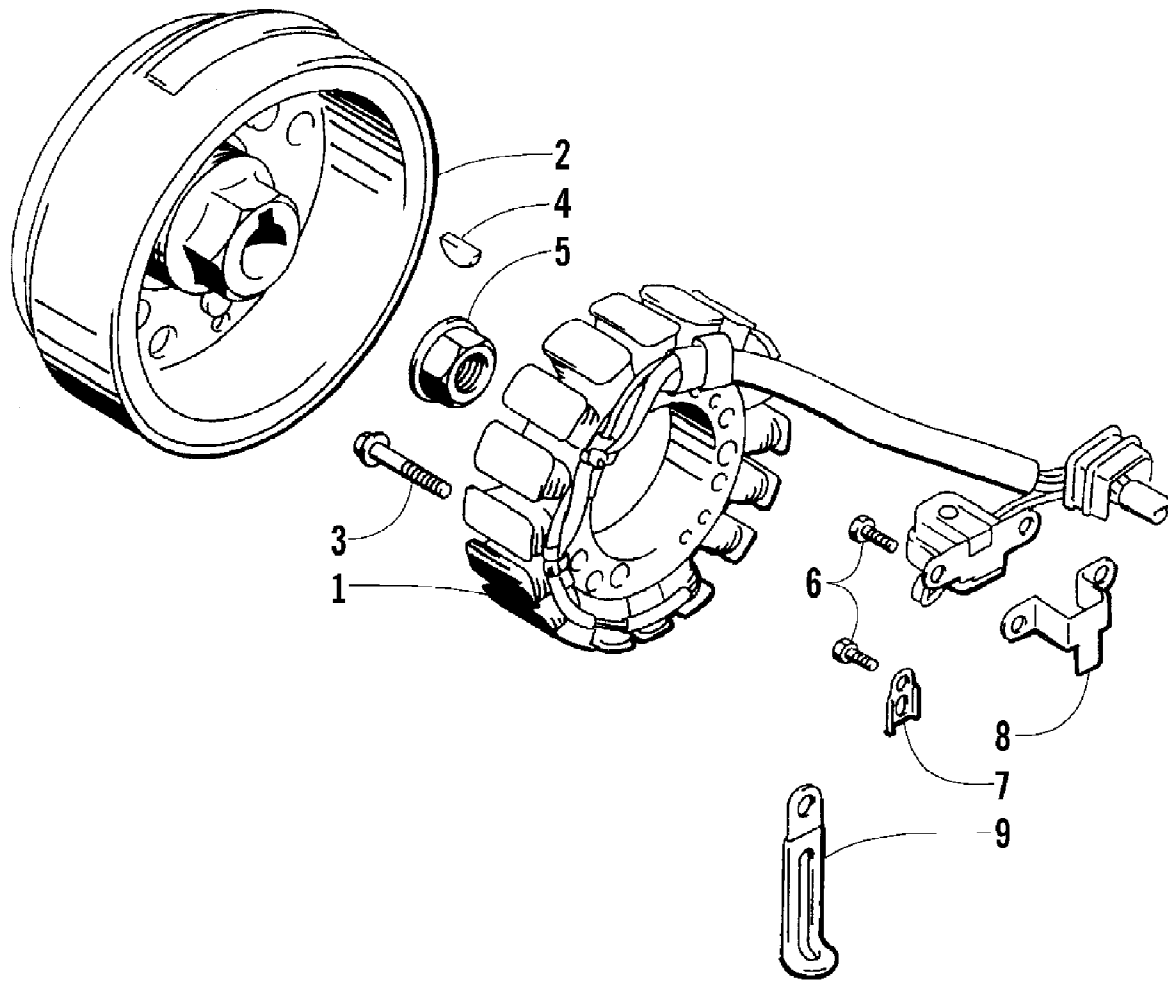
Ref #	Part Number	Qty	S/P/F	Description
1	0402-053	1		Tube, Brake Line - Front
2	0402-051	1	S	Hose, Brake - Front
3	0402-073	2		Block, Mounting
4	0423-038	3	S	Bolt, Oil
5	0423-039	6		Washer, Crush
6	0402-010	2	/P	Caliper, Brake - Right (inc. 7-12)
6	0402-011	1	/P	Caliper, Brake - Front Left (inc. 7-12)
7	0	2	F	Housing - Right
7	0	1	F	Housing - Left
8	0	3	F	Housing, Anvil
9	0117-868	3		Pin, Cotter
10	0402-142	3		Pin, Hydraulic Brake Caliper
11	0402-141	6		O-Ring, Hydraulic Brake Caliper
12	0402-096	6	S	Pad, Hydraulic Brake
13	0402-054	1		Tube, Brake Line - Rear
14	8408-625	1		Screw, Cap
15	8408-820	4	/P	Screw, Cap
16	8408-825	2		Screw, Cap
17	0402-052	1		Hose, Brake - Rear
18	0402-115	1	S	Clip, Brake Line
19	0402-143	2	F	Cap, Bleeder Valve
20	8408-625	1		Screw, Cap
21	8408-825	2		Screw, Cap
22	8408-820	4	/P	Screw, Cap
23	0402-143	2	F	Cap, Bleeder Valve



1996 BEARCAT 4X4 (96A4A-AP-1996)
HYDRAULIC BRAKE CONTROL ASSEMBLY

Page 52 of 96

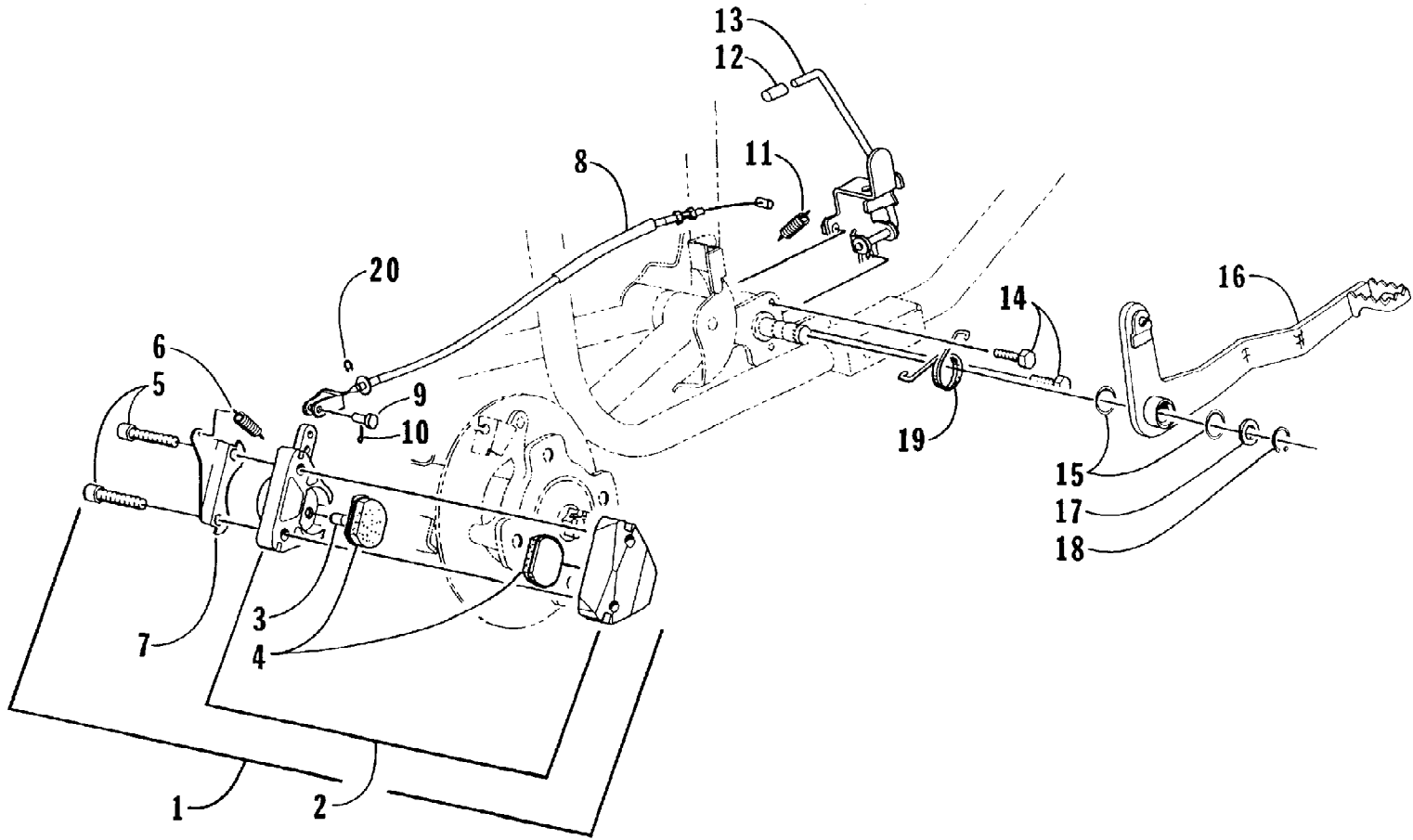
Ref #	Part Number	Qty	S/P/F	Description
1	0502-021	1	S	Brake, Lever - Assembly (inc. 2-14)
2	0402-049	1		Lever, Brake
3	0623-430	1	/P	Bolt, Lever Mounting
4	0623-506	2		Screw, Cover - Master Cylinder
5	0602-742	1		Cover, Master Cylinder
6	0602-741	1		Gasket, Cover - Master Cylinder
7	0602-740	1		Reservoir, Hydraulic Brake
8	0602-587	1		O-Ring, Reservoir
9	0	1	F	Master Cylinder
10	0623-432	2		Screw, Reservoir Mount
11	0623-056	1		Nut, Lock
12	8052-212	2		Washer, Lock
13	0623-629	2	S	Screw, Clamp
14	0602-907	1		Clamp
15	0402-050	1	S	Hose, Master Cylinder
16	8408-625	1		Screw, Cap



1996 BEARCAT 4X4 (96A4A-AP-1996)
MAGNETO ASSEMBLY

Page 54 of 96

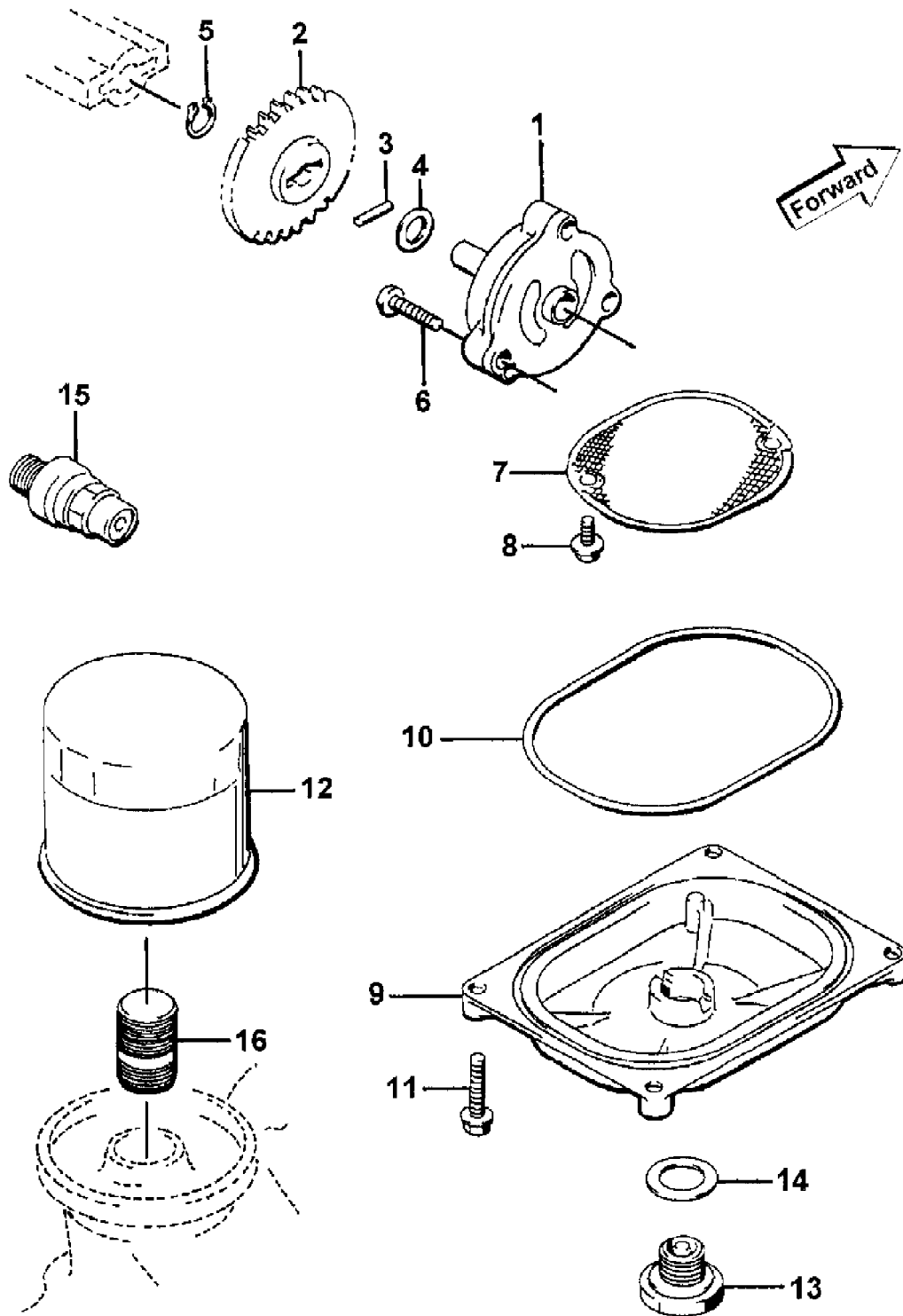
Ref #	Part Number	Qty	S/P/F	Description
1	3430-011	1	/P	Stator - Assembly
2	3430-012	1		Rotor
3	3423-162	3	S	Bolt, Magneto
4	0691-785	1		Key, Magneto
5	3423-086	1		Nut, Magneto
6	3423-005	2	/P	Bolt
7	3430-005	1		Clamp, Magneto (No. 1)
8	3430-006	1		Clamp, Magneto (No. 2)
9	3423-005	1	/P	Bolt
10	3004-761	1		Clamp, Magneto (No. 3)



1996 BEARCAT 4X4 (96A4A-AP-1996)
MECHANICAL BRAKE ASSEMBLY

Page 56 of 96

Ref #	Part Number	Qty	S/P/F	Description
1	0402-128	1	S	Caliper, Mechanical Brake - Ass'y (inc. 2-3)
2	0502-020	1	/P	Pad Set
3	0402-125	1		Pin, Actuator
4	0402-116	1		Bracket, Spring Retaining
5	0423-058	2		Screw, Socket Head
6	0402-129	1		Spring, Mechanical Brake
7	0124-057	1	/P	E-Ring
8	0487-004	1		Cable, Brake - Rear
9	0423-049	1		Pin
10	0117-868	1		Pin, Cotter
11	0115-602	1		Spring, Brake Arm Return
12	0423-064	1		Cap, Protector - Red
13	0502-027	1	S	Brake, Parking
14	8408-616	2		Screw, Cap
15	0670-183	2		O-Ring
16	0502-024	1	S	Lever, Foot Brake
17	0423-027	1		Washer, Brake Lever
18	0623-237	1	/P	Ring, Snap
19	0402-144	1	S	Spring, Foot Brake

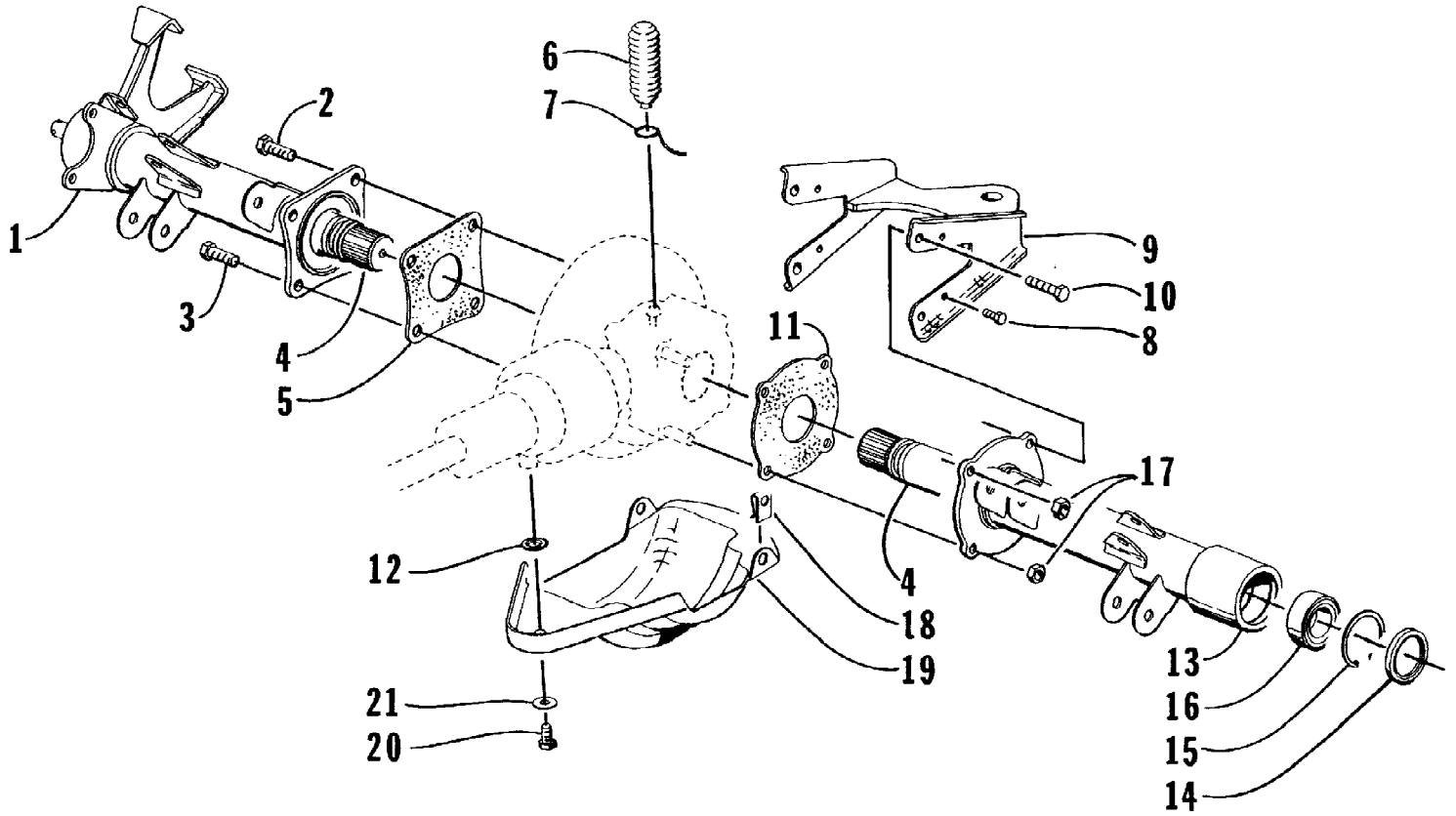


1996 BEARCAT 4X4 (96A4A-AP-1996)
OIL FILTER/PUMP ASSEMBLY

Page 58 of 96

Ref #	Part Number	Qty	S/P/F	Description
1	3402-153	1		Pump, Engine Oil
2	3402-152	1		Gear, Driven
3	3423-046	1		Pin
4	3423-115	1		Washer
5	3423-184	1	S	Circlip
6	3423-113	3	S/P	Screw, Cap
7	3402-156	1		Strainer, Engine Oil
8	3423-118	2		Screw, Cap
9	3402-157	1		Cap, Oil Strainer
10	3423-077	1		O-Ring
11	3004-756	4	S	Bolt
12	3402-155	1	S	Filter, Engine Oil
13	3402-036	1	S	Plug, Drain
14	3402-012	1		Gasket
15	3402-154	1		Valve, Oil Relief - Assembly
16	3402-158	1	S	Union, Oil Filter

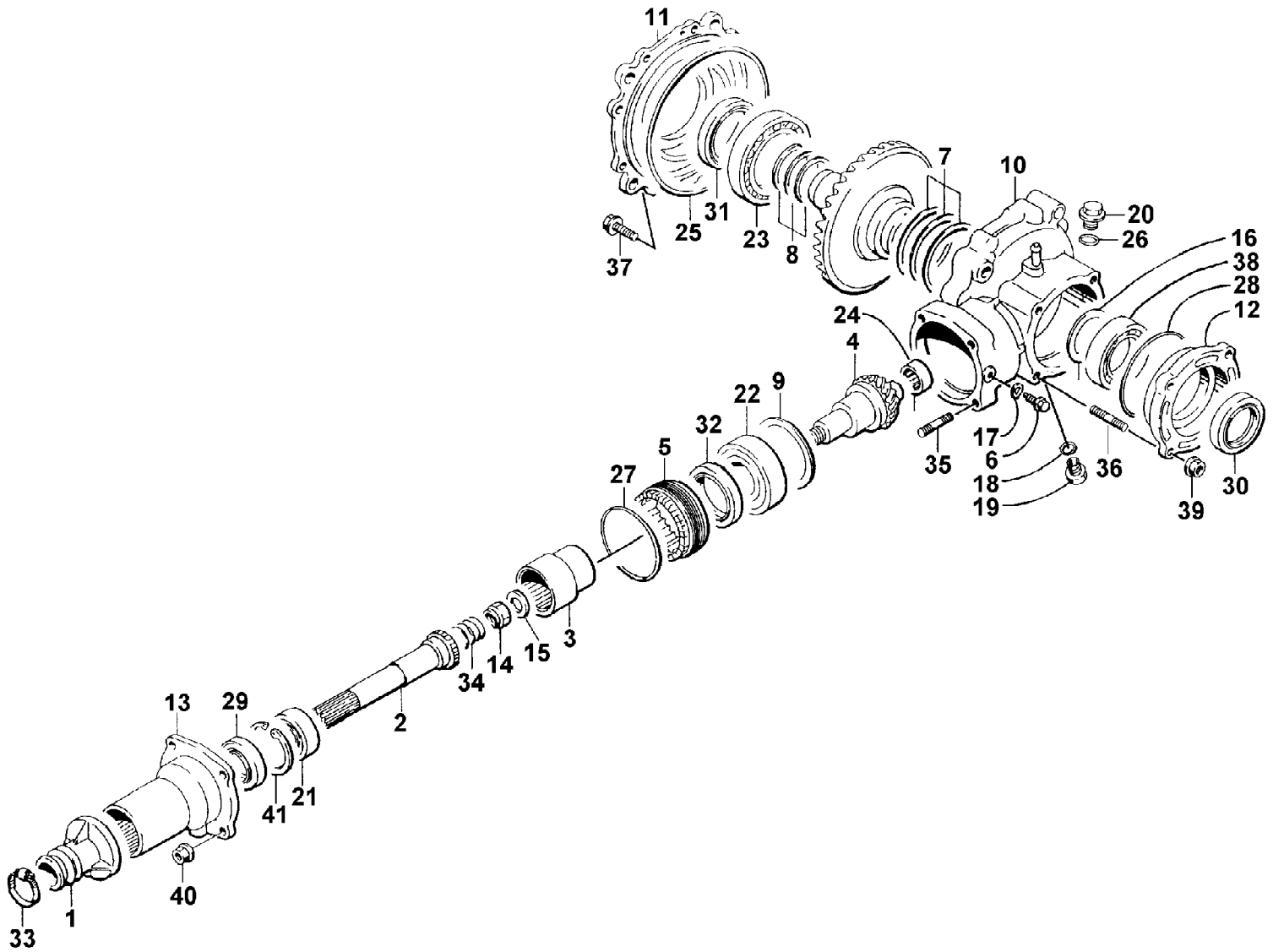
1996 BEARCAT 4X4 (96A4A-AP-1996)
REAR AXLE ASSEMBLY



1996 BEARCAT 4X4 (96A4A-AP-1996)
 REAR AXLE ASSEMBLY

Page 60 of 96

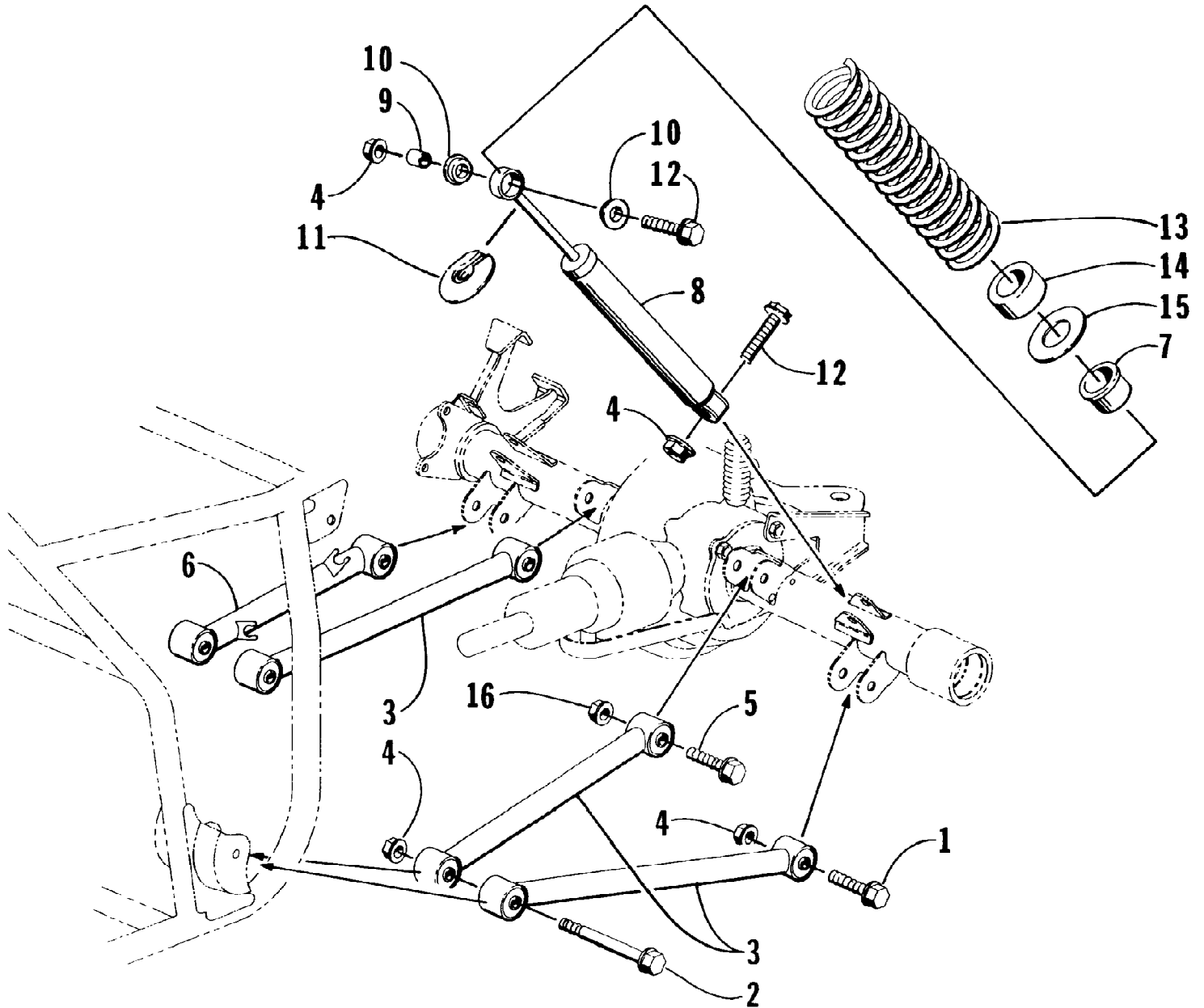
Ref #	Part Number	Qty	S/P/F	Description
1	0502-018	1		Housing, Axle - Rear Right
2	8409-030	2		Screw, Cap
3	8409-025	1		Screw, Cap
4	0402-145	2	S	Axle - Rear
5	0402-139	1		Gasket - Rear Axle
6	3008-100	1		Bladder, Case
7	0123-811	1		Tie, Cable
8	8408-616	2		Screw, Cap
9	0506-135	1		Hitch, Trailer
10	8408-840	2		Screw, Cap
11	0402-138	1		Gasket - Rear Axle
12	0423-010	1		Washer, Shoulder
13	0502-005	1	S	Housing, Axle - Rear Left
14	0402-068	2		Seal
15	0423-033	2		C-Clip
16	0402-003	2		Bearing, Wheel Hub - Rear
17	8474-813	2		Nut, Jam
18	0423-031	2		Nut, Speed
19	0406-097	1		Panel, Gear Case - Rear
20	8408-820	1	/P	Screw, Cap
21	8050-252	1		Washer



1996 BEARCAT 4X4 (96A4A-AP-1996)
 REAR BEVEL GEAR ASSEMBLY

Page 62 of 96

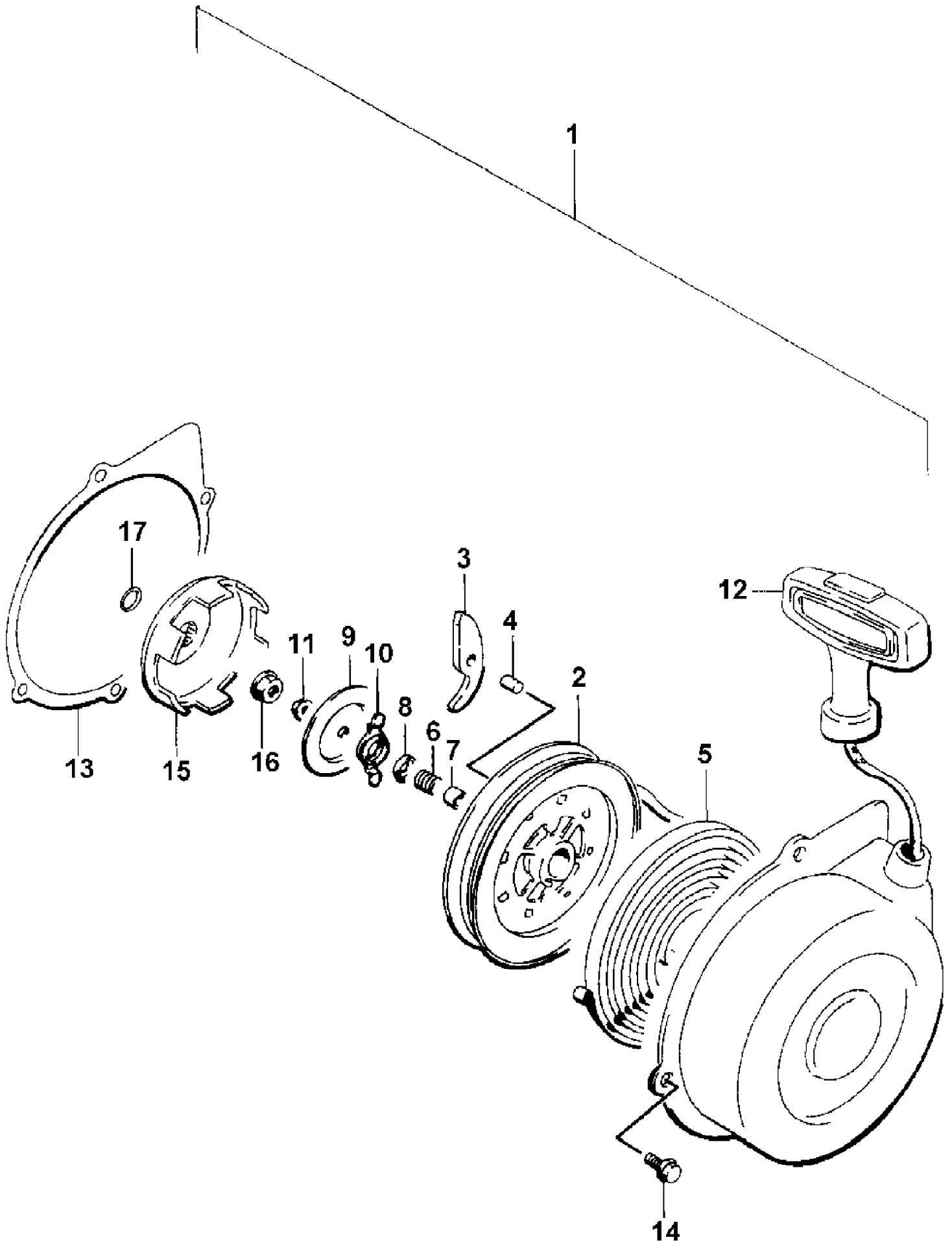
Ref #	Part Number	Qty	S/P/F	Description
1	3435-051	1		Boot, Final Drive
2	3435-006	1	S	Shaft, Rear Final
3	3435-008	1	S	Coupling, Rear
4	3435-012	1	S	Gear Set
5	3435-015	1		Stopper, Rear Final
6	3435-016	1		Pin, Bearing Stopper
7	3435-019	1	/P	Shim Set
8	3435-020	1		Shim Set
9	3435-065	1	/P	Shim Set
10	3435-023	1		Case
11	3435-026	1	S	Case - Right
12	3435-027	1		Case - Left
13	3435-028	1		Housing
14	3423-025	1		Nut, Rear Drive Pinion
15	3423-029	1		Washer, Drive Nut
16	3423-171	1		Washer - Left
17	3003-290	1	/P	Gasket, Bearing Stopper Pin
18	3402-012	1		Gasket, Oil Drain Plug
19	3402-036	1	S	Plug, Oil Drain
20	3402-039	1		Plug, Gear Oil Filler
21	3402-052	1		Bearing
22	3402-056	1	S	Bearing
23	3402-059	1		Bearing - Right
24	3402-061	1		Bearing, Final Drive Pilot
25	3423-049	1	S	O-Ring, Bearing Case - Right
26	3423-057	1	/P	O-Ring, Gear Oil Filler
27	3423-065	1		O-Ring, Final Bearing Stopper
28	3003-335	1	/P	O-Ring, Bearing Case - Left
29	3435-048	1	S	Seal, Final Driven
30	3402-073	1	/P	Seal, Oil
31	3402-074	1		Seal, Oil
32	3402-075	1		Seal, Oil
33	3004-786	1	/P	Clamp - Right
34	3402-092	1		Spring
35	3004-279	4	S/P	Stud, Bolt
36	3004-301	2	S	Stud, Bolt - Left
37	3423-175	9	S	Bolt, Bearing - Right
38	3402-187	1	/P	Bearing - Left
39	3004-333	2	S	Nut, Rear Left Case
40	3423-176	4	S	Nut, Rear Final Housing
41	3423-194	1	S	Circlip Set



1996 BEARCAT 4X4 (96A4A-AP-1996)
 REAR SUSPENSION ASSEMBLY

Page 64 of 96

Ref #	Part Number	Qty	S/P/F	Description
1	8409-060	3		Screw, Cap
2	8409-000	2		Screw, Cap
3	0504-001	3		Arm, Swing
4	8478-013	9		Nut, Hex
5	8409-055	1		Screw, Cap
6	0504-005	1		Arm, Swing
7	0403-027	2		Retainer, Spring - Lower
8	0404-001	2		Shock Absorber - Rear (inc. 9-10)
9	0403-028	4		Sleeve, Shock
10	0604-310	8		Bushing, Shock Absorber
11	0603-033	2	S	Retainer, Spring
12	8409-040	4		Screw, Cap
13	0404-006	2	/P	Spring - Rear
14	0403-025	2	/P	Collar, Spring
15	0403-013	2		Washer, Spring Adjustment

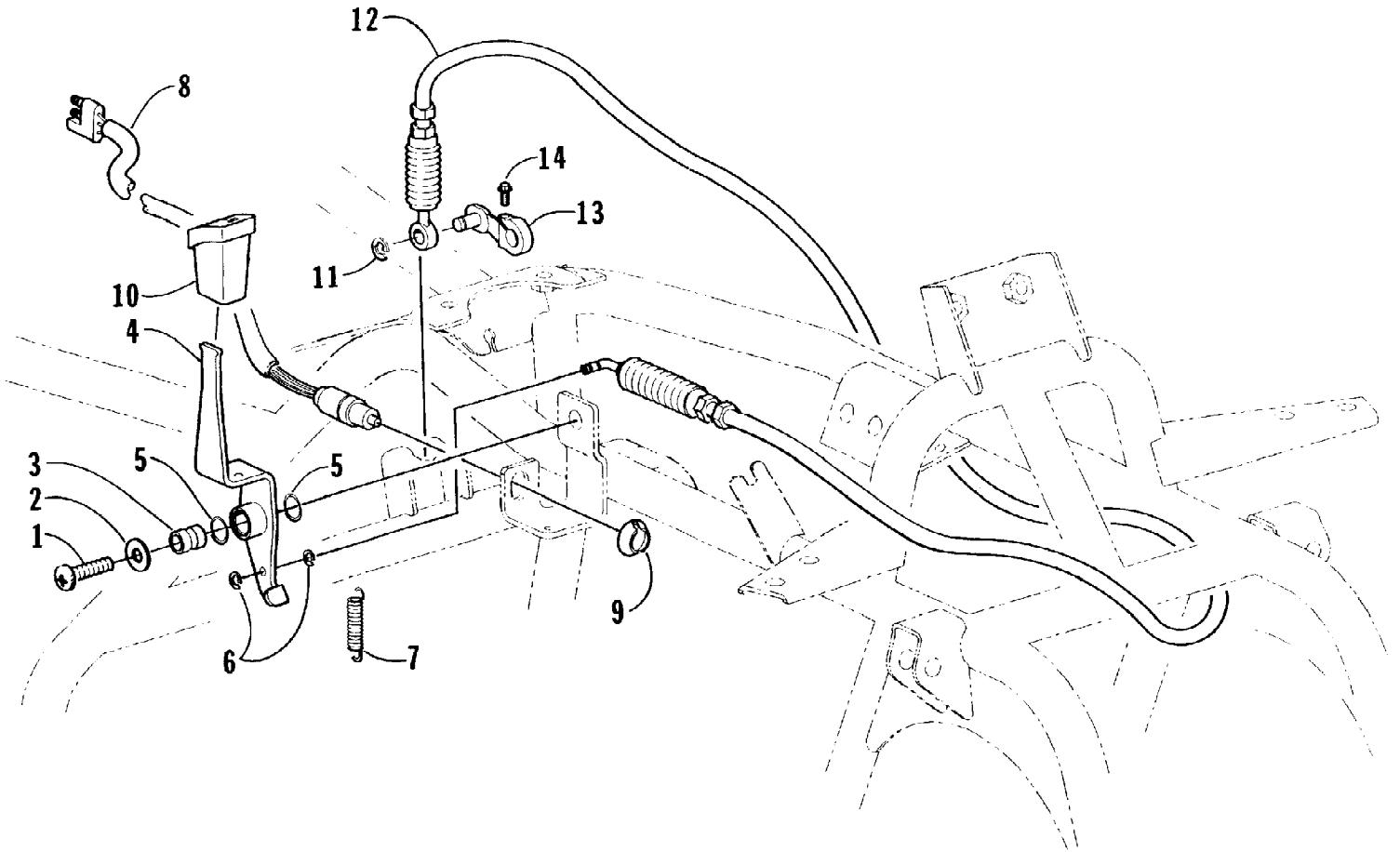


1996 BEARCAT 4X4 (96A4A-AP-1996)
 RECOIL STARTER ASSEMBLY

Page 66 of 96

Ref #	Part Number	Qty	S/P/F	Description
1	3445-003	1		Starter, Recoil - Assembly (inc. 2-12)
2	3445-004	1		Reel
3	3445-005	1		Ratchet
4	3445-014	1		Pin, Ratchet
5	3445-007	1		Spring, Spiral
6	3445-009	1		Spring, Friction
7	3445-010	1		Shaft
8	3445-012	1		Cover, Spring
9	3445-008	1		Plate, Friction
10	3445-006	1		Guide, Ratchet
11	3004-488	1	S/P	Nut
12	3445-011	1		Rope - Assembly
13	3445-013	1	/P	Gasket
14	3423-112	6	S	Bolt
15	3445-015	1		Cup, Starter
16	3004-491	1	S/P	Nut
17	3423-053	1	/P	O-Ring

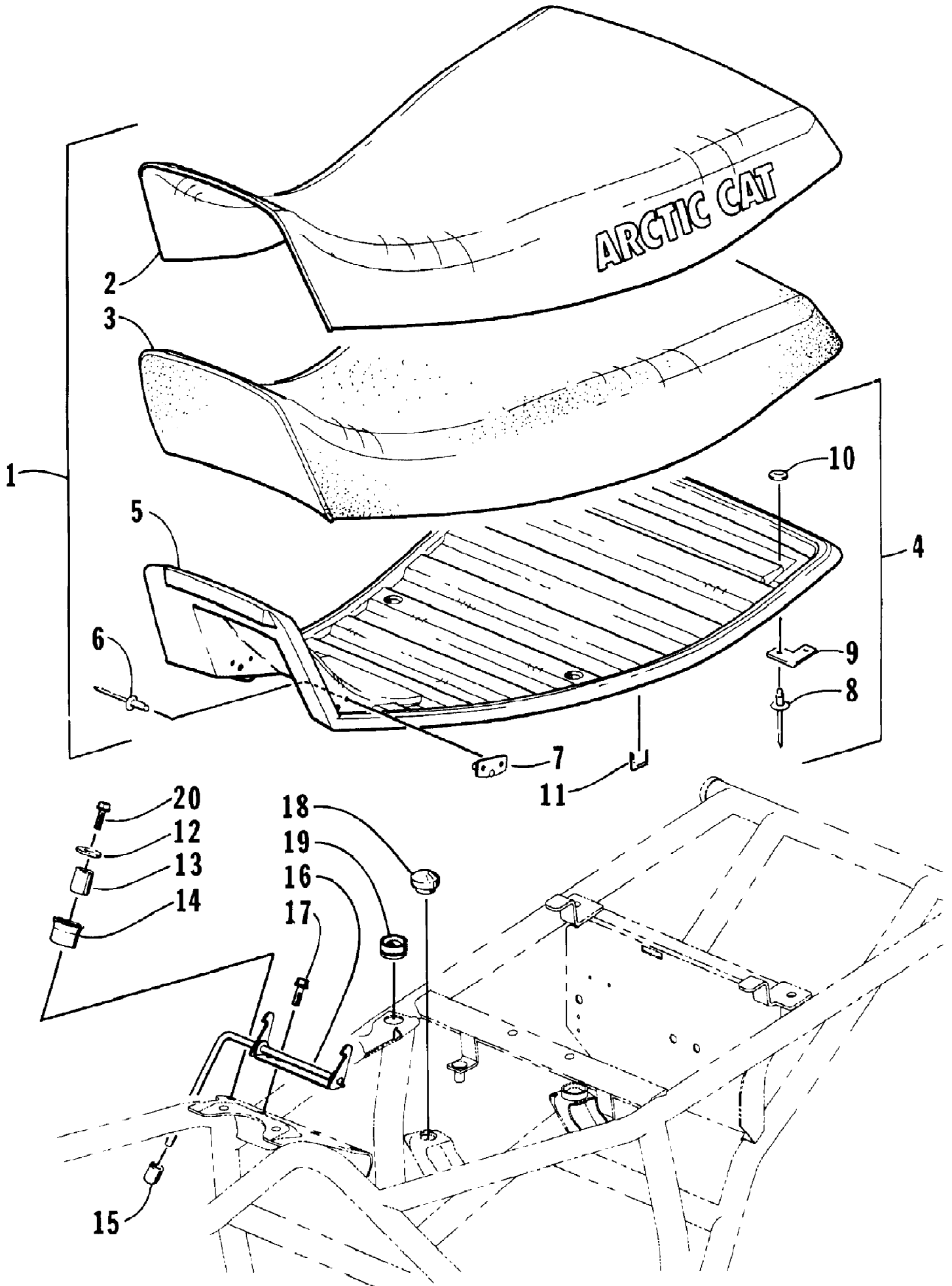
1996 BEARCAT 4X4 (96A4A-AP-1996)
REVERSE SHIFT LEVER ASSEMBLY



1996 BEARCAT 4X4 (96A4A-AP-1996)
REVERSE SHIFT LEVER ASSEMBLY

Page 68 of 96

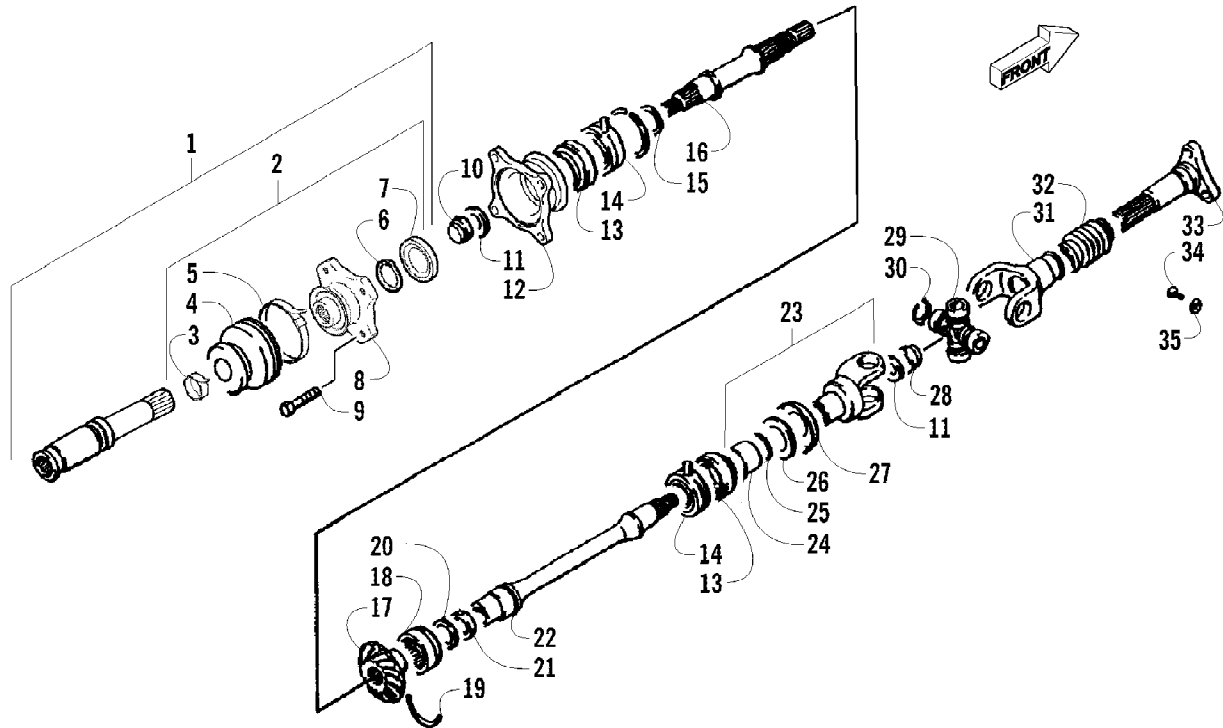
Ref #	Part Number	Qty	S/P/F	Description
1	8402-830	1		Screw, Cap
2	8050-252	1		Washer
3	0402-103	1		Axle, Reverse Shifter
4	0502-022	1	S	Lever, Reverse
5	0423-032	2		O-Ring
6	0423-063	2		E-Ring
7	0402-136	1	S	Spring, Reverse Lever
8	0409-008	1		Reverse Switch
9	0402-130	1	S	Retainer, Switch
10	0402-062	1		Knob, Reverse Shift Lever
11	3423-168	1	S	E-Ring
12	0487-003	1		Cable, Shift
13	3446-005	1		Arm, Reverse Gear Shift
14	8408-616	1		Screw, Cap



1996 BEARCAT 4X4 (96A4A-AP-1996)
SEAT ASSEMBLY

Page 70 of 96

Ref #	Part Number	Qty	S/P/F	Description
1	5990-012	1	S	Seat - Assembly (inc. 2-11)
2	0506-054	1		Cover, Seat
3	0506-056	1		Foam, Seat
4	0506-167	1		Base, Seat - Assembly (inc. 5-10)
5	0506-166	1	S	Base, Seat
6	8061-628	4		Rivet
7	0506-147	1	S	Pin, Seat Base - Front
8	8060-630	4		Rivet
9	0406-268	2		Plate, Seat Retainer
10	8050-152	4		Washer
11	0624-263	50		Staple
12	8050-217	2	/P	Washer
13	0406-199	2		Collar, Front Seat Base
14	0406-171	2		Bumper, Seat Base - Front
15	0623-404	1		Cap, Protector
16	0406-103	1	S	Latch, Seat - Assembly
17	8477-616	2		Screw, Machine
18	0406-172	2		Bumper, Seat Base - Center
19	0406-270	2		Bumper, Seat Base - Center
20	8408-620	2		Screw, Cap

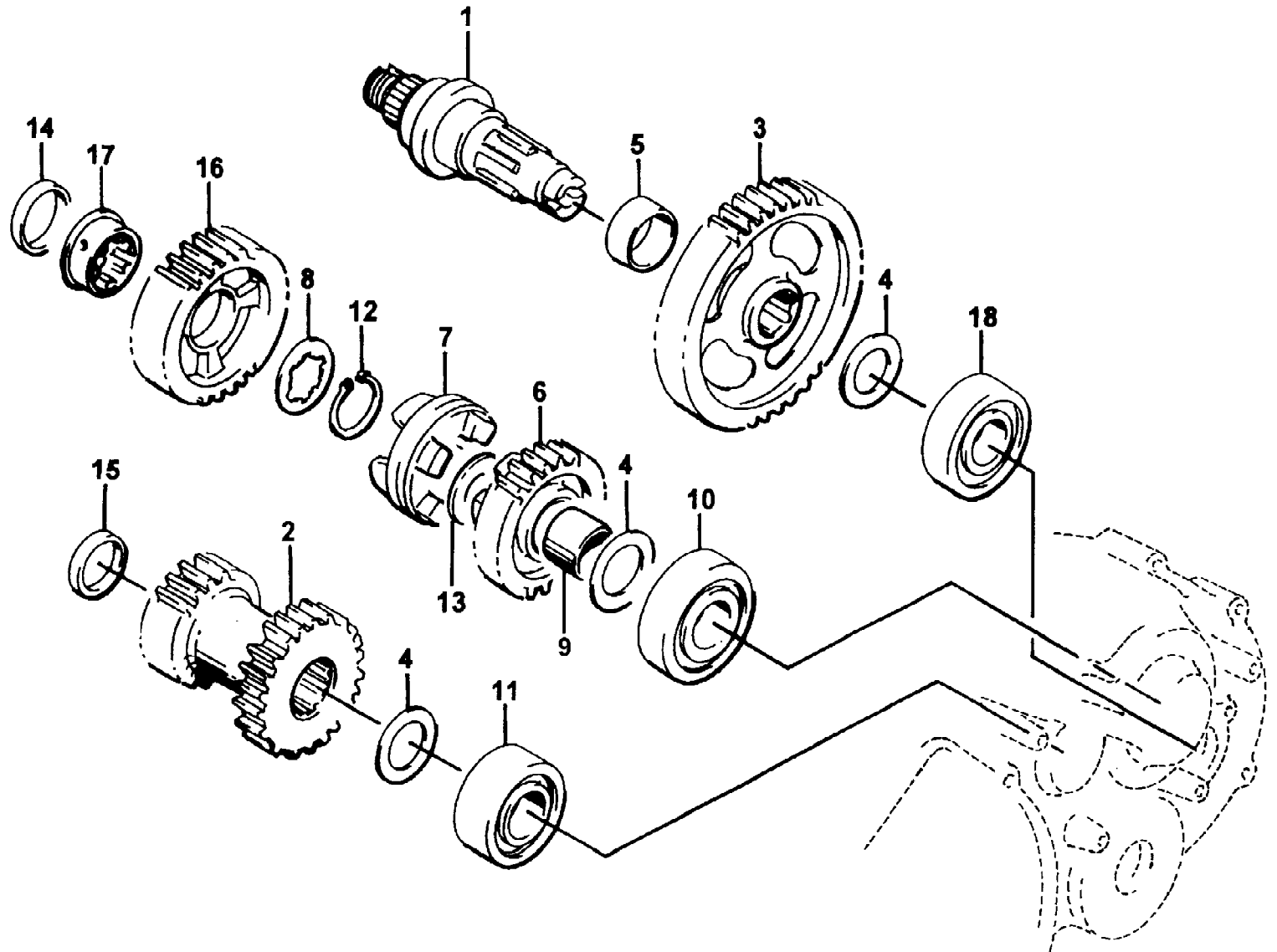


1996 BEARCAT 4X4 (96A4A-AP-1996)
SECONDARY DRIVE ASSEMBLY

Page 72 of 96

Ref #	Part Number	Qty	S/P/F	Description
1	3435-010	1		Joint Assembly, Rear Output (inc. 2-8)
2	3435-066	1		Boot, Joint - Set (inc. 3-7)
3	3423-212	1		Band
4	3435-067	1		Boot
5	3423-211	1		Band
6	3423-210	1		Ring, Snap
7	3423-356	1		Seal, Plate
8	0	1	F	Flange, Output
9	8408-820	4	/P	Screw, Cap
10	3423-026	1	S	Nut
11	3423-028	2		Washer
12	3435-003	1	S	Flange, Output Joint
13	3402-072	2		Seal, Oil
14	3402-067	2	S	Bearing w/ Locating Ring and Pin
15	3402-017	1		Shim - 0.60 mm
15	3402-018	1		Shim - 0.65 mm
15	3402-019	1		Shim - 0.70 mm
15	3402-020	1		Shim - 0.75 mm
15	3402-021	1	S	Shim - 0.80 mm
15	3402-022	1		Shim - 0.85 mm
15	3402-023	1		Shim - 0.90 mm
15	3402-024	1		Shim - 0.95 mm
15	3402-025	1	S	Shim - 1.00 mm
15	3402-028	1		Shim - 1.05 mm
15	3402-029	1		Shim - 1.10 mm
15	3402-030	1		Shim - 1.15 mm
15	3402-031	1		Shim - 1.20 mm
16	3446-037	1		Shaft - Rear
17	3446-034	1	S	Gear
18	3402-062	1	S	Bearing w/Groove
19	3423-072	1		Ring, Bearing
20	3423-137	1		Washer
21	3423-136	1		Nut
22	3446-036	1		Shaft - Front
23	3435-001	1	S	Yoke, Drive Output (inc. 24-27)
24	3435-029	1		Collar, Yoke
25	3423-060	1		O-Ring
26	3435-030	1		Plate, Yoke Collar
27	3423-035	1		Plate, Yoke Collar
28	3423-026	1	S	Nut
29	3435-011	1		Joint Set, Universal (inc. 30)
30	3423-067	4		Circlip
31	3435-002	1		Yoke, Joint
32	3435-005	1	/P	Boot, Propeller Shaft
33	3435-004	1		Shaft, Propeller
34	3004-552	1	S	Screw, Cap
35	3423-135	2		Retainer

1996 BEARCAT 4X4 (96A4A-AP-1996)
SECONDARY TRANSMISSION ASSEMBLY

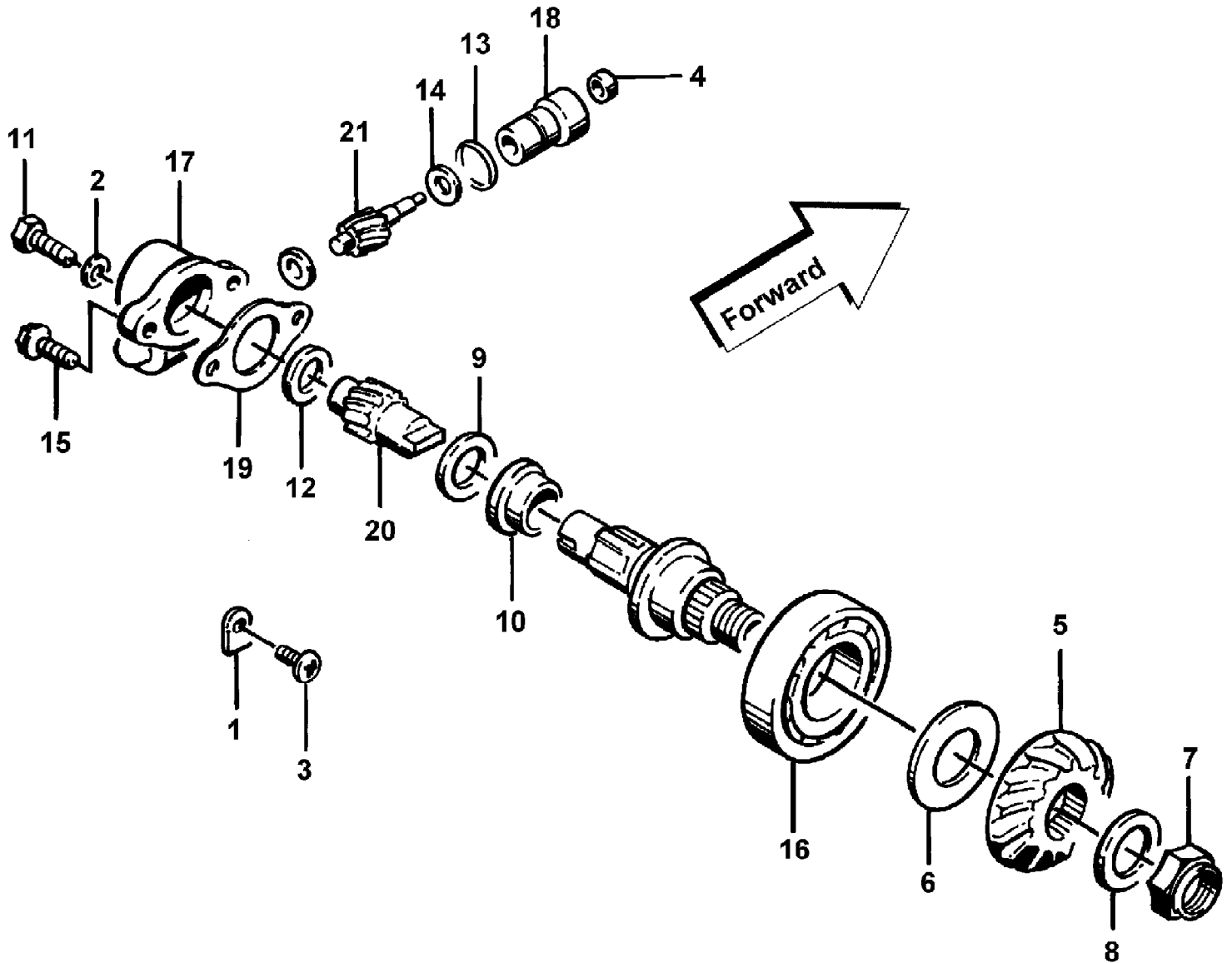


1996 BEARCAT 4X4 (96A4A-AP-1996)
SECONDARY TRANSMISSION ASSEMBLY

Page 74 of 96

Ref #	Part Number	Qty	S/P/F	Description
1	3446-065	1		Shaft, Output
2	3446-066	1		Gear, Idle
3	3446-072	1		Gear, Driven
4	3423-150	3	/P	Washer
5	3446-069	1	S	Spacer
6	3446-070	1		Gear, (No. 2)
7	3446-108	1		Dog, Select Sliding
8	3423-036	1		Washer, (No. 1)
9	3446-103	1		Bushing
10	3402-046	1		Bearing, Driveshaft - Left
11	3402-047	1	S	Bearing, Center Shaft - Left
12	3423-066	1	/P	Circlip, (No. 1)
13	3423-202	1	S	Washer, Gear (No. 2)
14	3446-068	1		Spacer
15	3423-148	1		Spacer, Idle Gear
16	3446-067	1		Gear, (No. 1)
17	3446-069	1	S	Spacer, Drive
18	3402-045	1	/P	Bearing Set - Left

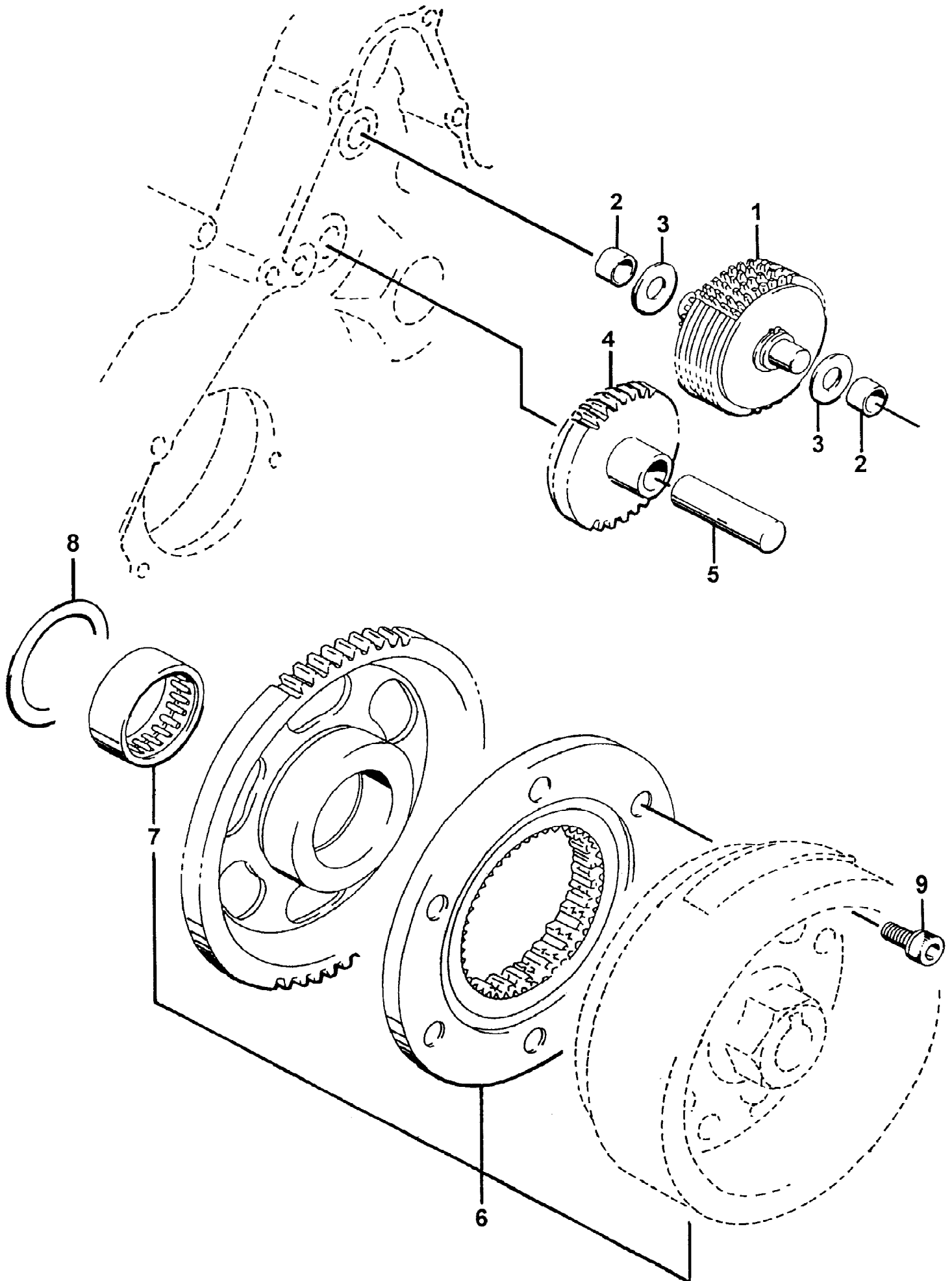
1996 BEARCAT 4X4 (96A4A-AP-1996)
SPEEDOMETER DRIVE ASSEMBLY



1996 BEARCAT 4X4 (96A4A-AP-1996)
SPEEDOMETER DRIVE ASSEMBLY

Page 76 of 96

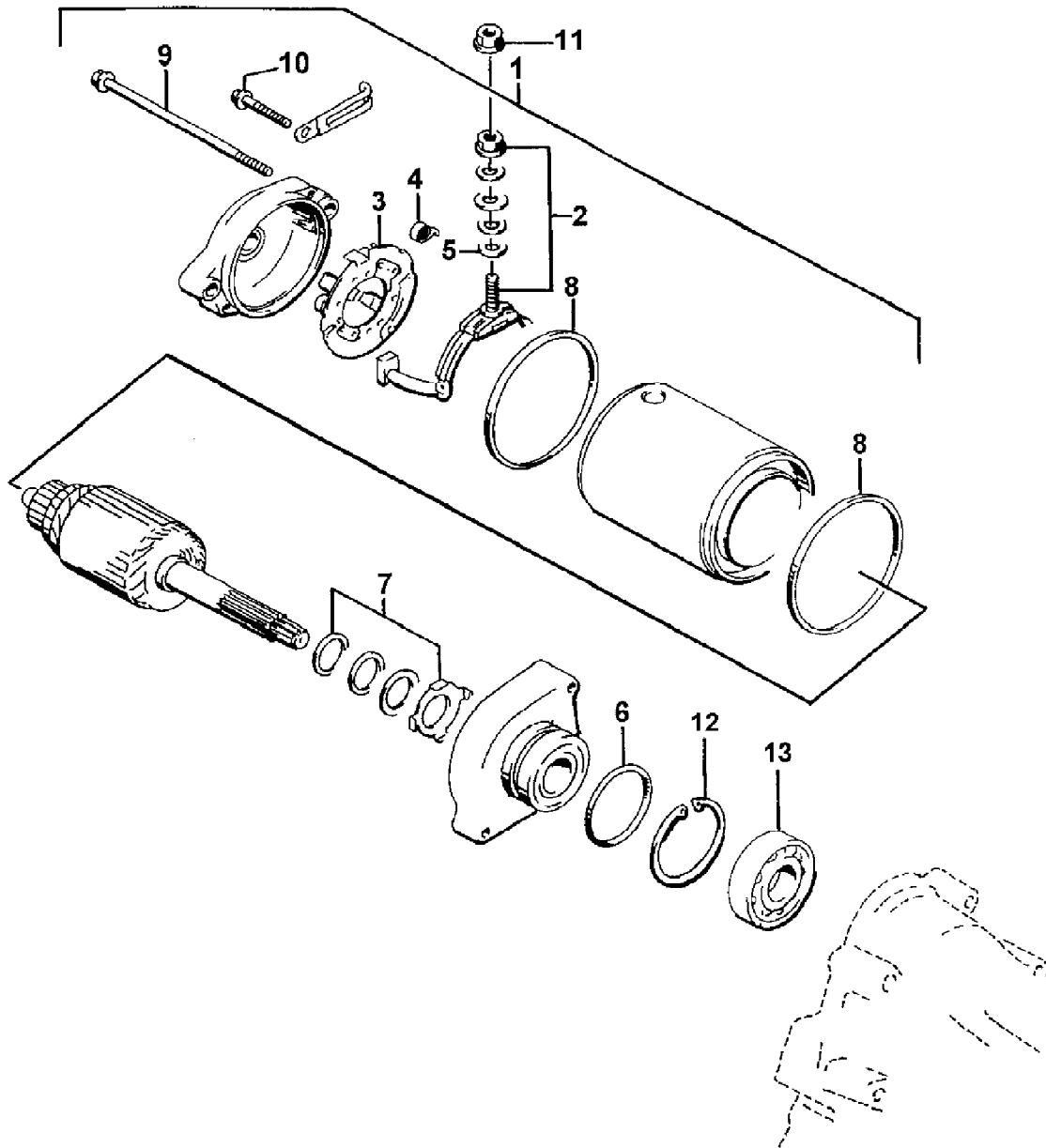
Ref #	Part Number	Qty	S/P/F	Description
1	3446-031	2	/P	Retainer, Bearing
2	3402-009	1	/P	Washer, Driven
3	3004-552	2	S	Screw, Retainer
4	3402-077	1		Seal, Driven Gear
5	3446-033	1	S	Gear
6	3446-035	1		Shim Set
7	3423-023	1		Nut
8	3423-032	1		Washer
9	3423-146	1		Washer - Right
10	3446-062	1	S	Spacer, Driven Gear
11	3423-143	1	S	Bolt, Gear
12	3423-145	1		Washer
13	3423-056	1		O-Ring
14	3423-144	1		Washer
15	3004-507	2	S	Bolt, Gear
16	3402-055	1	/P	Bearing Set - Right
17	3446-057	1		Housing, Odometer Gear (inc. 18-21)
18	3446-058	1		Sleeve
19	3446-059	1	S	Gasket
20	3446-060	1		Gear, Drive
21	3446-061	1		Gear, Driven



1996 BEARCAT 4X4 (96A4A-AP-1996)
STARTER CLUTCH ASSEMBLY

Page 78 of 96

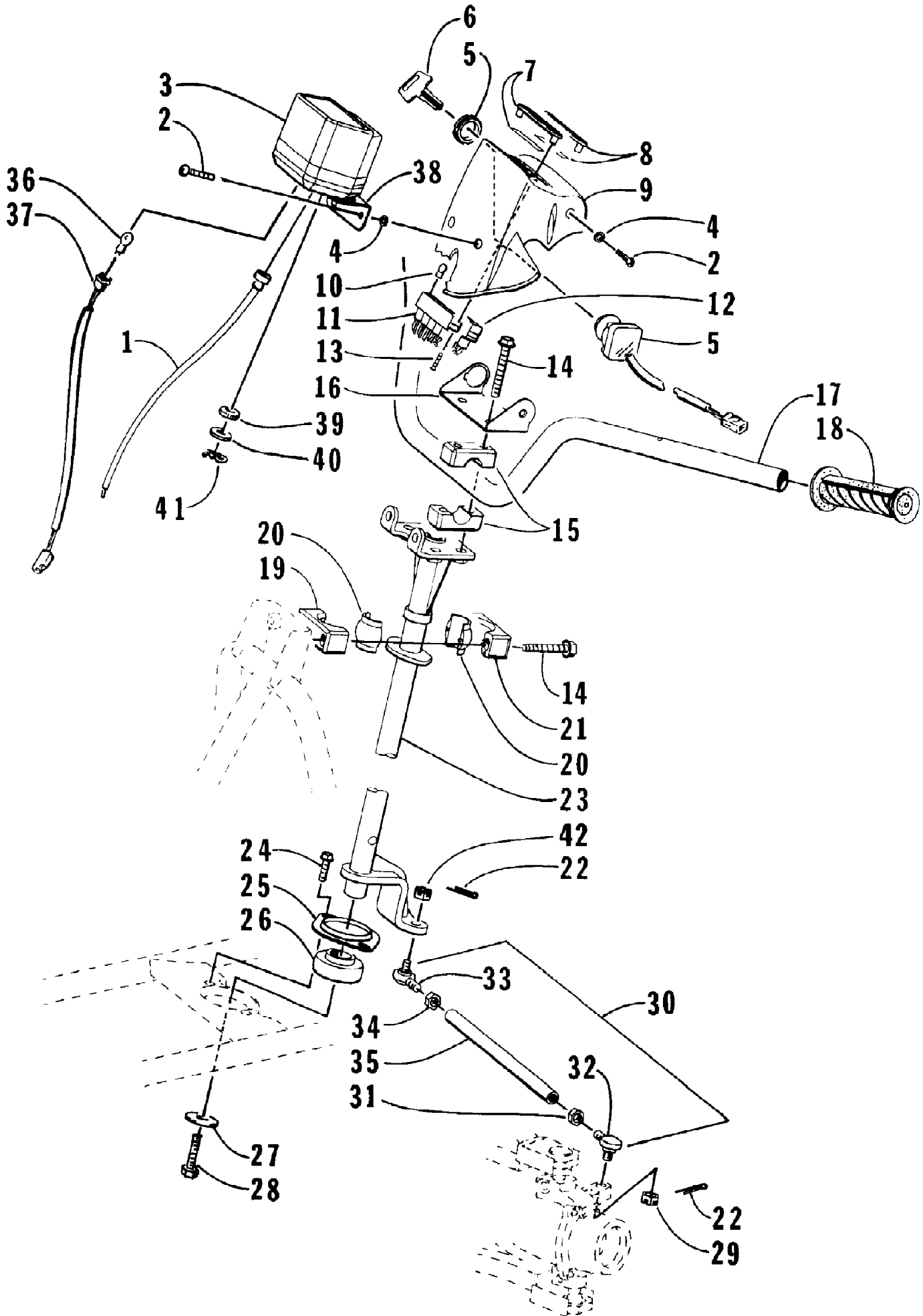
Ref #	Part Number	Qty	S/P/F	Description
1	3402-123	1		Limiter, Idle Gear - Assembly
2	3402-125	2		Bushing
3	3423-103	2	/P	Washer
4	3402-124	1		Gear, Starter Idle
5	3423-042	1		Pin
6	3402-122	1	S	Clutch, Starter - Set (inc. 7)
7	3402-063	1		Bearing
8	3423-104	1		Washer
9	3423-102	6	S	Bolt



1996 BEARCAT 4X4 (96A4A-AP-1996)
STARTER MOTOR ASSEMBLY

Page 80 of 96

Ref #	Part Number	Qty	S/P/F	Description
1	3545-001	1	S	Motor, Starter Assembly (inc. 2-9)
2	3008-094	1	/P	Terminal Set, Brush
3	3008-095	1	/P	Holder Set, Brush
4	3008-096	4		Spring, Brush
5	3008-164	1		O-Ring
6	3423-084	1		O-Ring
7	3436-001	1		Washer Set
8	3008-101	2	S	O-Ring
9	3423-085	2		Bolt
10	3423-162	2	S	Bolt
11	3423-195	1	/P	Nut
12	3423-201	1	/P	Circlip
13	3402-043	1	/P	Bearing, Pinion Shaft

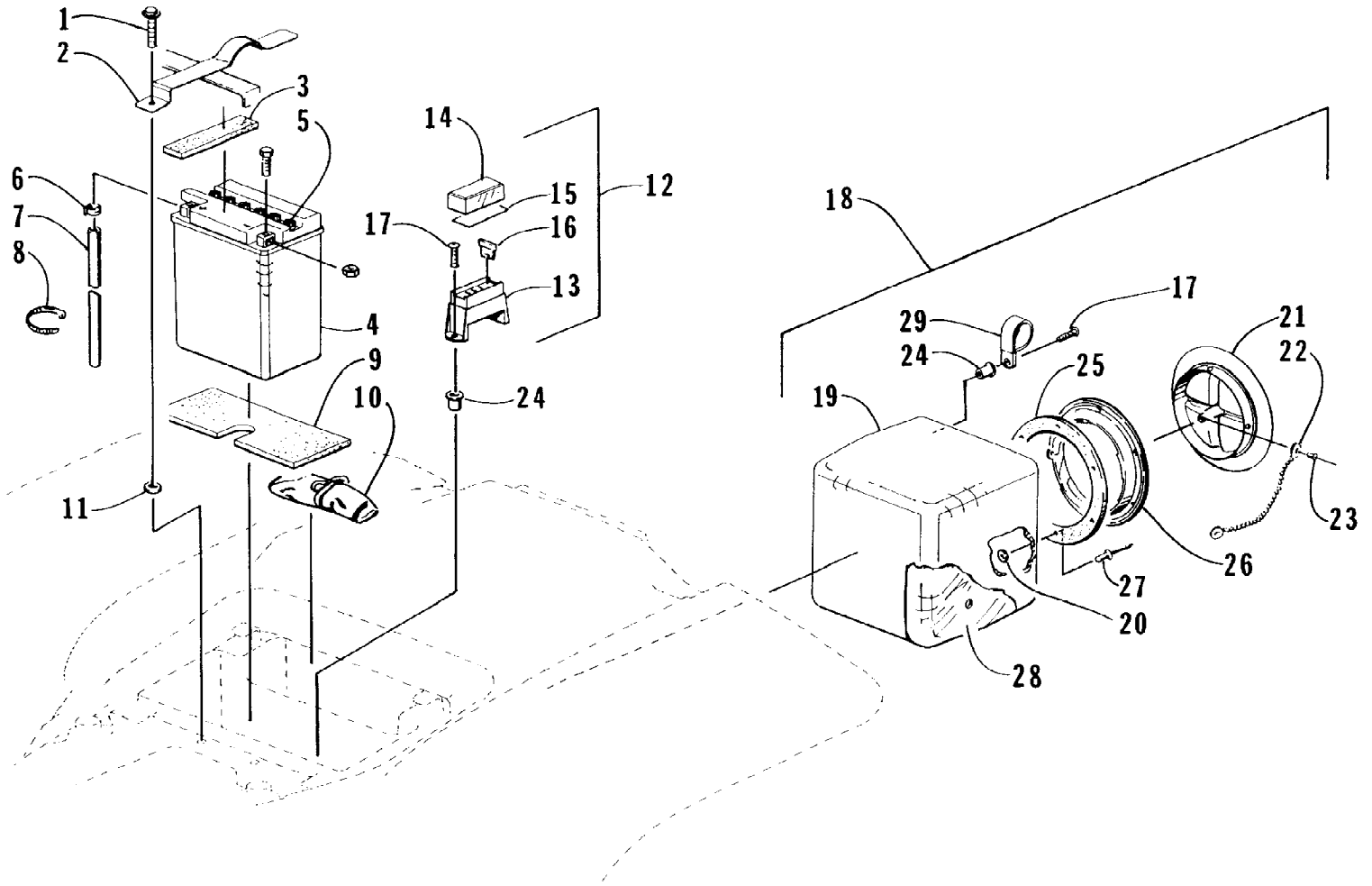


1996 BEARCAT 4X4 (96A4A-AP-1996)
STEERING ASSEMBLY

Page 82 of 96

Ref #	Part Number	Qty	S/P/F	Description
1	0487-005	1		Cable, Speedometer
2	8477-616	3		Screw, Machine
3	0420-003	1	S	Speedometer
4	0423-052	3		Collar, Body
5	3430-013	1	S	Switch, Ignition - Assembly (inc. 6)
6	3409-007	1	/P	Key, Ignition - Blank
7	0420-011	1		Bezel/Lens, Warning - Assembly
8	0420-012	1		Bezel/Lens, Shifting - Assembly
9	0405-019	1		Instrument Pod
10	0420-013	9		Bulb, Light Bar
11	0420-001	1		Light, Warning - Assembly
12	0420-004	1		Light, Shift Indicator - Assembly
13	0123-950	4		Screw, Self-Tapping
14	8408-860	6		Screw, Cap
15	0405-035	4		Cap, Steering Adjuster
16	0506-139	1	S	Bracket, Key Switch
17	0505-007	1	S	Tube, Handlebar
18	0405-013	2	S	Grip, Handlebar
19	0705-064	1	/P	Housing, Bearing - Upper
20	0405-020	2		Bearing, Steering Post
21	0605-171	1		Cap, Bearing - Steering
22	0117-868	4		Pin, Cotter
23	0505-012	1		Post, Steering
24	8408-816	2		Screw, Cap
25	0602-233	1		Flange, Bearing
26	0107-223	1	S	Bearing - w/o Lock Collar
27	0123-570	1		Washer
28	8409-020	1	/P	Screw, Cap
29	0423-014	4		Nut, Hex
30	0505-001	1	/P	Tie Rod, Assembly (inc. 31-35)
31	8480-010	2	S	Nut, Hex
32	0405-011	2	S	Ball Joint, Tie Rod - Left
33	0405-010	2	S	Ball Joint, Tie Rod - Right
34	0423-013	2		Nut
35	0405-032	2		Tie Rod
36	0620-149	1	/P	Bulb, Speedometer
37	0420-014	1		Harness, Speedometer
38	0420-018	1		Bracket, Speedometer
39	0420-016	2		Mount, Rubber
40	0420-017	2		Washer
41	0420-015	2		Pin, Retainer

1996 BEARCAT 4X4 (96A4A-AP-1996)
STORAGE BOX AND BATTERY ASSEMBLY

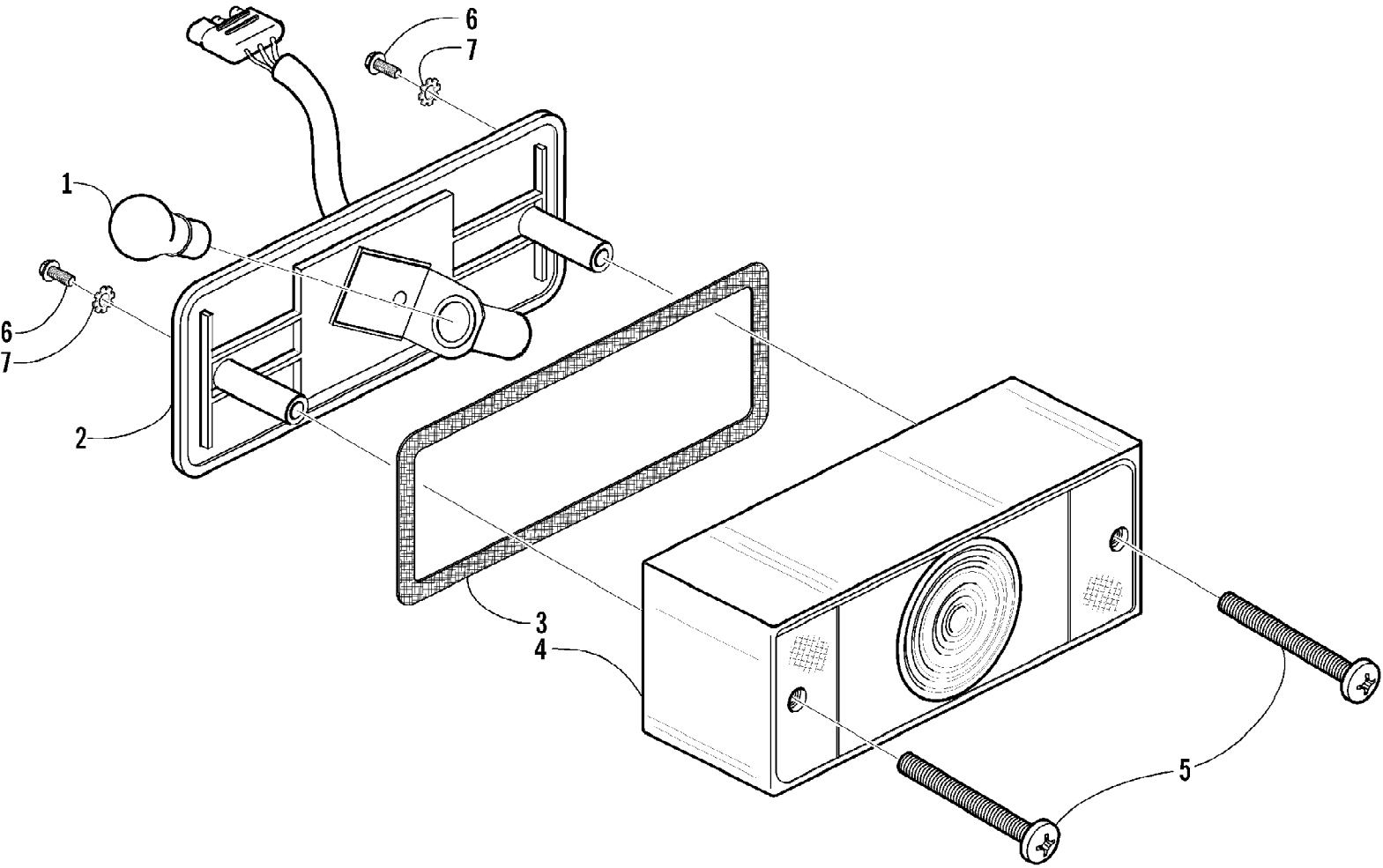


1996 BEARCAT 4X4 (96A4A-AP-1996)
STORAGE BOX AND BATTERY ASSEMBLY

Page 84 of 96

Ref #	Part Number	Qty	S/P/F	Description
1	8408-616	1		Screw, Cap
2	0406-242	1		Strap, Battery
3	0406-252	2		Pad, Battery - Upper
4	0445-005	1	S	Battery - Assembly (inc. 5-7)
5	0645-045	6		Cap, Battery
6	0645-152	1		Clamp, Hose
7	0645-179	1	S	Hose, Battery Vent
8	0123-788	0	/P	Tie, Cable
9	0406-227	1		Pad, Battery - Lower
10	0444-001	1	S	Kit, Tool
11	0423-052	1		Collar, Body
12	0530-001	1		Fuse Box - Assembly (inc. 13-16)
13	0430-005	1		Block, Fuse
14	0430-006	1		Lid, Fuse Block
15	0411-042	1		Decal, Fuse Block
16	0630-057	3		Fuse, 10 AMP
16	0630-058	2		Fuse, 15 AMP
17	0623-121	6		Screw, Machine
18	0506-102	1	/P	Storage Box-Ass'y (inc. 19-23, (4) 24 & 25-27)
19	0406-257	1	S	Box, Tool
20	8050-152	6		Washer
21	0406-208	1		Lid, Tool Box
22	0773-401	1		Chain, Storage
23	0623-620	2		Rivet
24	0123-010	6	/P	Nut, Expansion
25	0673-973	1		Seal, Storage Cover
26	0406-205	1	/P	Ring, Mounting - Storage Box Lid
27	8060-630	6		Rivet
28	0219-376	0	/P	Tape, Foil
29	0423-044	4		Clamp, Tube

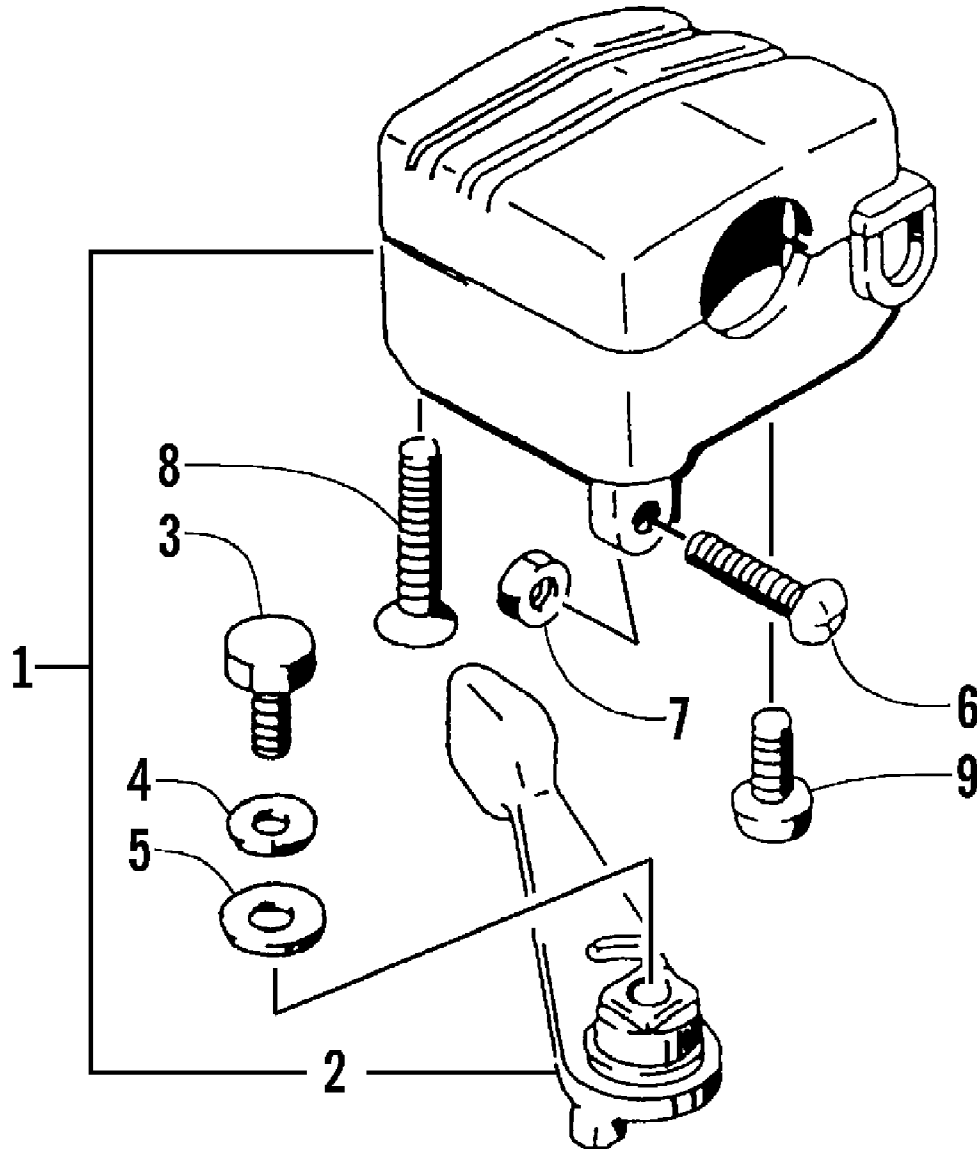
1996 BEARCAT 4X4 (96A4A-AP-1996)
TAILLIGHT ASSEMBLY



1996 BEARCAT 4X4 (96A4A-AP-1996)
TAILLIGHT ASSEMBLY

Page 86 of 96

Ref #	Part Number	Qty	S/P/F	Description
	0409-002	1		Complete Taillight Assembly
1	0109-460	1	/P	Bulb, Stop Taillight
2	0409-011	1		Taillight w/Socket Assembly
3	0409-012	1		Gasket, Taillight
4	0409-007	1		Lens, Taillight
5	0409-010	2		Screw, Taillight
6	0623-302	2		Screw, Self-Tapping
7	8053-212	2	/P	Washer, Lock

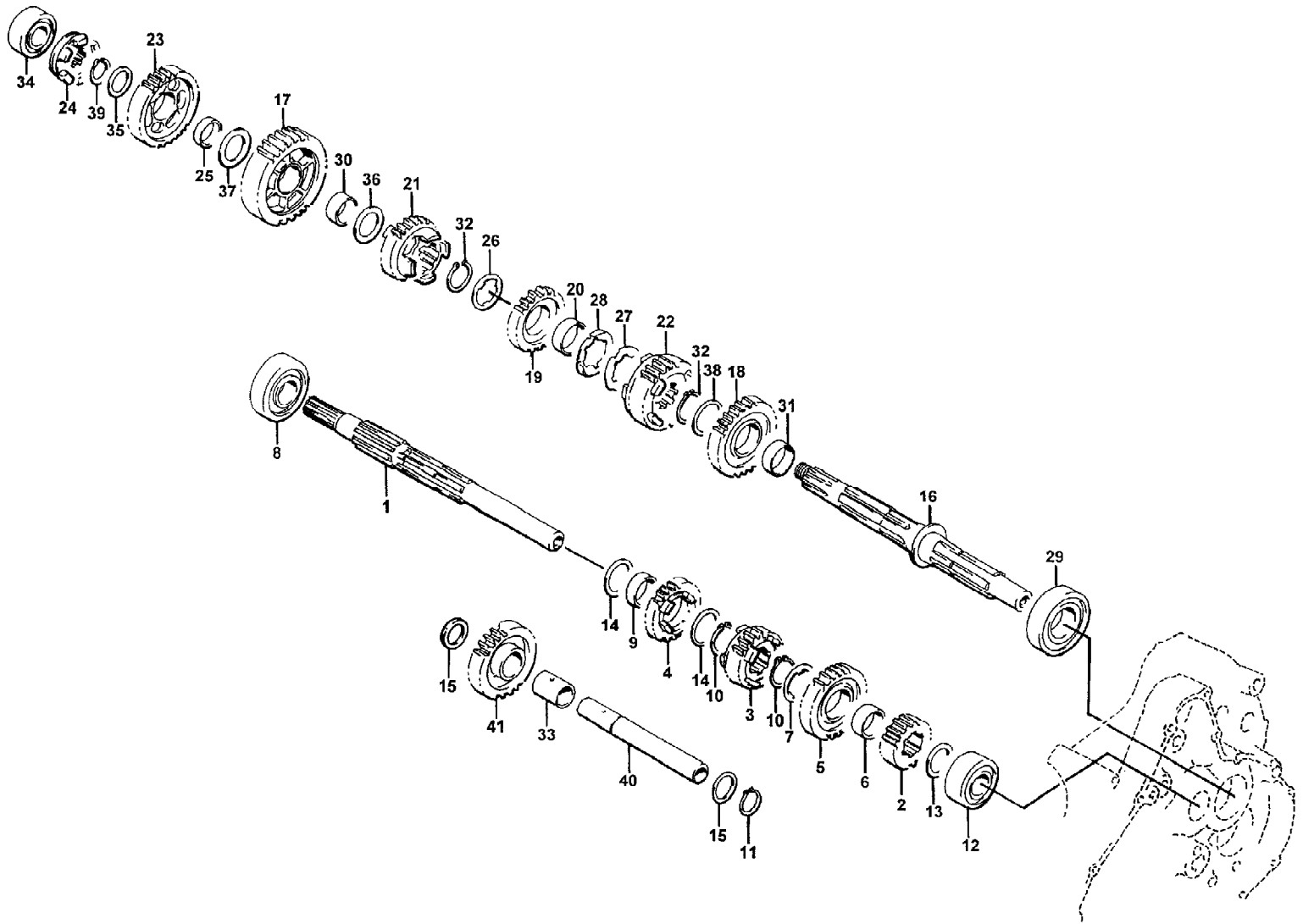


1996 BEARCAT 4X4 (96A4A-AP-1996)
THROTTLE CASE ASSEMBLY

Page 88 of 96

Ref #	Part Number	Qty	S/P/F	Description
1	3509-002	1	S	Case, Throttle - Assembly (inc. 2-9)
2	3409-001	1		Lever
3	3004-533	1	S/P	Bolt
4	3004-447	1	/P	Washer, Lock
5	3003-030	1	/P	Washer
6	3423-014	1		Screw, Cap
7	3423-198	1		Nut
8	3423-199	2		Screw, Cap
9	3004-638	1	/P	Screw, Cap

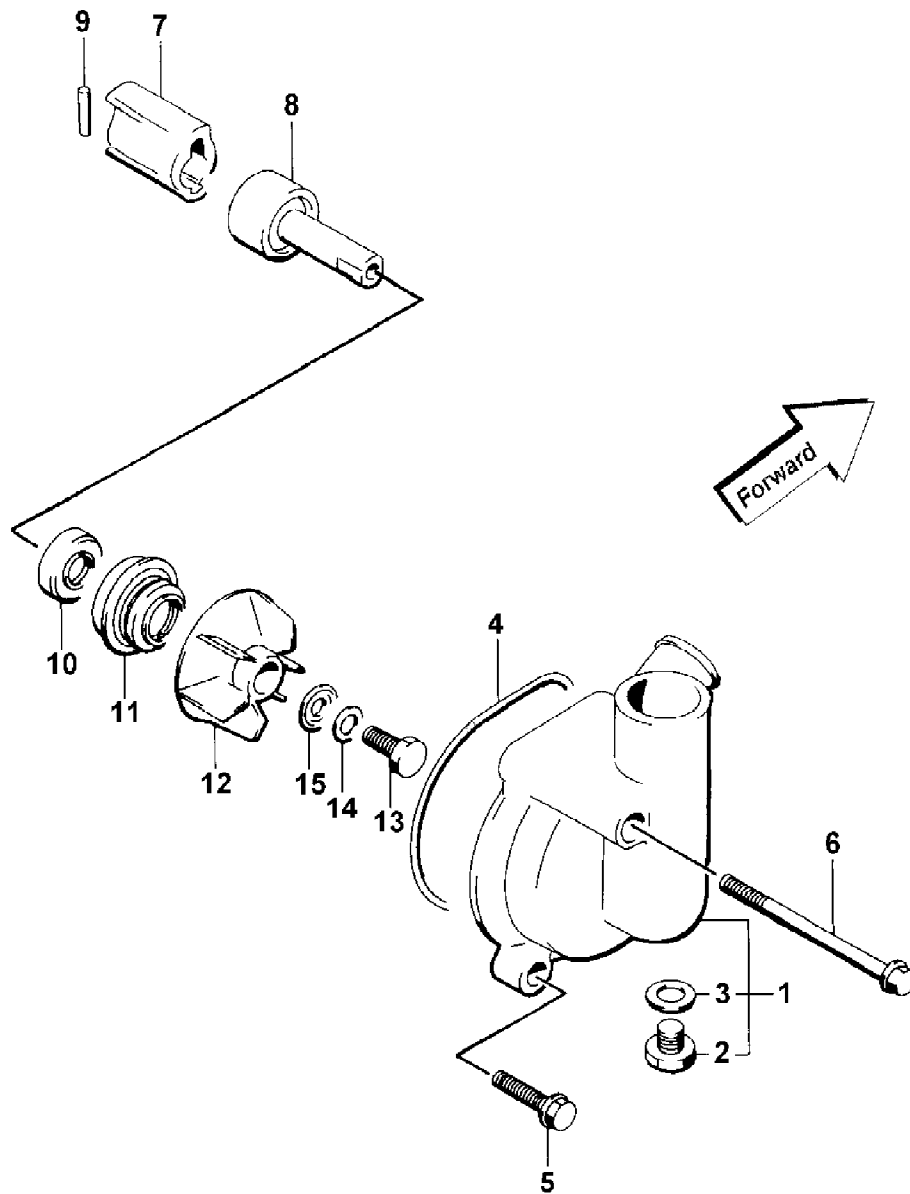
1996 BEARCAT 4X4 (96A4A-AP-1996)
TRANSMISSION ASSEMBLY



1996 BEARCAT 4X4 (96A4A-AP-1996)
TRANSMISSION ASSEMBLY

Page 90 of 96

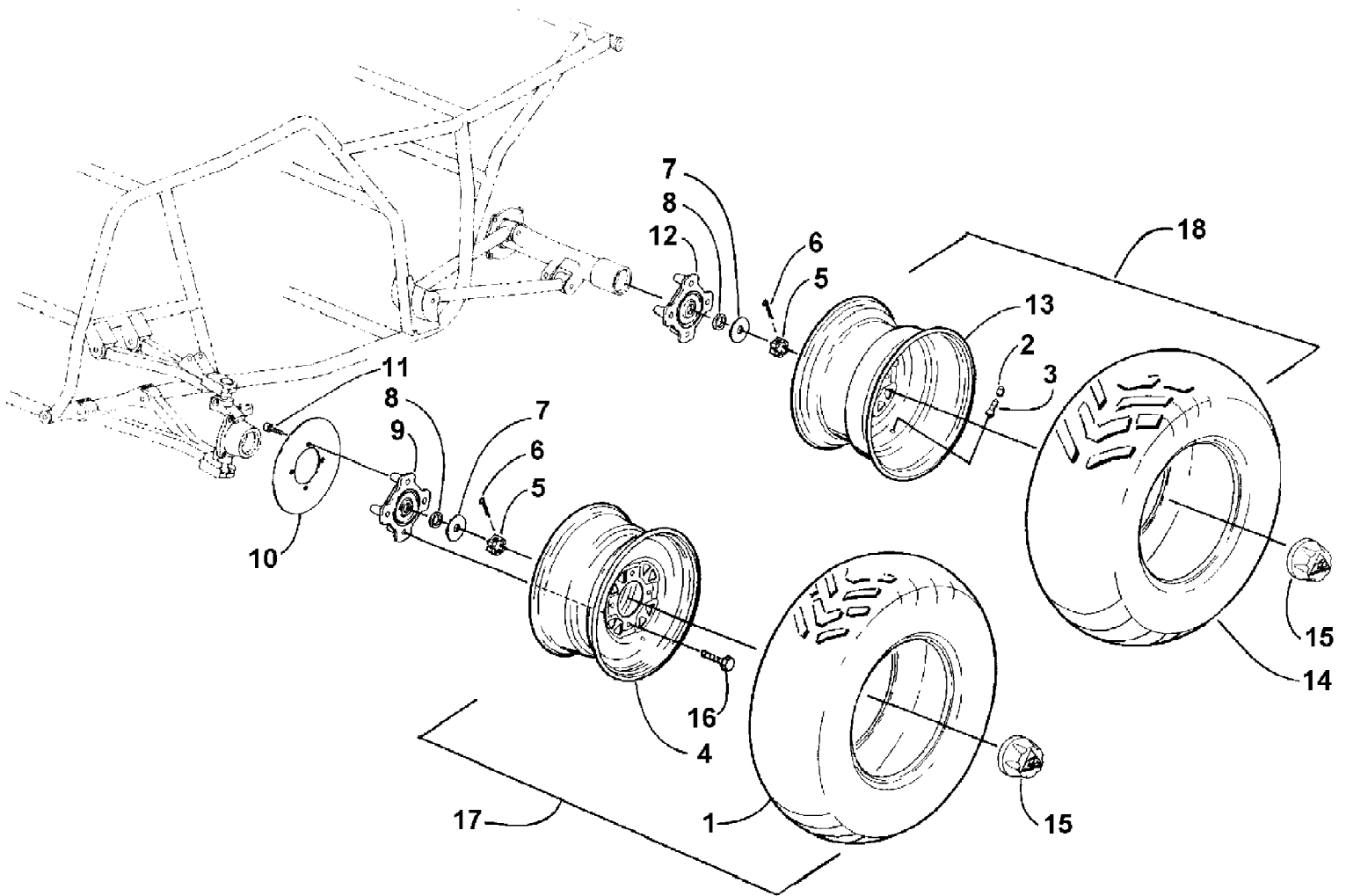
Ref #	Part Number	Qty	S/P/F	Description
1	3446-014	1		Shaft, Counter
2	3446-016	1		Gear, 2nd Drive
3	3446-017	1		Gear, 3rd Drive
4	3446-018	1		Gear, 4th Drive
5	3446-019	1		Gear, 5th Drive
6	3446-020	1		Bushing, 5th Drive Gear
7	3423-037	1		Washer, 5th Drive Gear
8	3402-049	1	/P	Bearing, Center Shaft - Right
9	3402-081	1		Bushing, 4th Drive Gear
10	3423-066	1	/P	Circlip, 4th Drive
11	3423-066	1	/P	Circlip, 5th Drive
12	3402-179	1		Bearing, Center Shaft
13	3423-126	1	/P	Washer, 2nd Drive
14	3423-187	1	/P	Washer, 4th Drive
15	3423-187	1	/P	Washer, 4th Drive
16	3446-015	1		Shaft, Drive
17	3446-021	1	S	Gear, 1st Driven
18	3446-022	1		Gear, 2nd Driven
19	3446-023	1		Gear, 3rd Driven
20	3446-024	1		Bushing, 3rd Driven
21	3446-025	1	S	Gear, 4th Driven
22	3446-026	1		Gear, 5th Driven
23	3446-029	1		Gear, Reverse Driven
24	3446-030	1		Dog, Reverse
25	3446-032	1		Bushing, Reverse Driven
26	3423-038	1		Washer, 3rd Driven - Right
27	3423-039	1		Washer, 3rd Driven - Left
28	3423-040	1		Washer, 3rd Driven - Left
29	3402-053	1		Bearing, Driveshaft
30	3402-080	1	S	Bushing, 1st Driven
31	3402-082	1		Bushing, 2nd Driven
32	3423-188	1	S	Circlip, 2nd Driven
33	3423-188	1	S	Circlip, 3rd Driven
34	3003-320	1	/P	Bearing, Driveshaft - Right
35	3423-129	1		Washer, Reverse Driven
36	3423-130	1		Washer, 1st Driven - Left
37	3423-131	1		Washer, 1st Driven - Right
38	3003-605	1	/P	Washer, 2nd Driven
39	3423-189	1	S	Circlip, Reverse Driven
40	3446-027	1		Shaft, Reverse Idle
41	3446-028	1		Gear, Reverse Idle
42	3402-079	1		Bushing, Reverse Idle
43	3423-126	2	/P	Washer, Reverse Idle
44	3423-190	1	S	Circlip, Reverse Idle



1996 BEARCAT 4X4 (96A4A-AP-1996)
WATER PUMP ASSEMBLY

Page 92 of 96

Ref #	Part Number	Qty	S/P/F	Description
1	3402-159	1	S	Case, Water Pump
2	3423-185	1		Bolt
3	3003-188	1	S/P	Gasket
4	3423-078	1		O-Ring
5	3004-507	2	S	Bolt
6	3423-119	1	S	Bolt
7	3413-003	1	S	Joint, Pump Drive
8	3413-002	1		Shaft, Water Pump w/Bearing
9	3423-046	1		Pin
10	3003-356	1		Seal, Pump Drive
11	3003-466	1	S	Seal, Mechanical
12	3413-001	1		Impeller
13	3003-426	1		Bolt
14	3003-431	1	/P	Washer
15	3003-432	1		Gasket

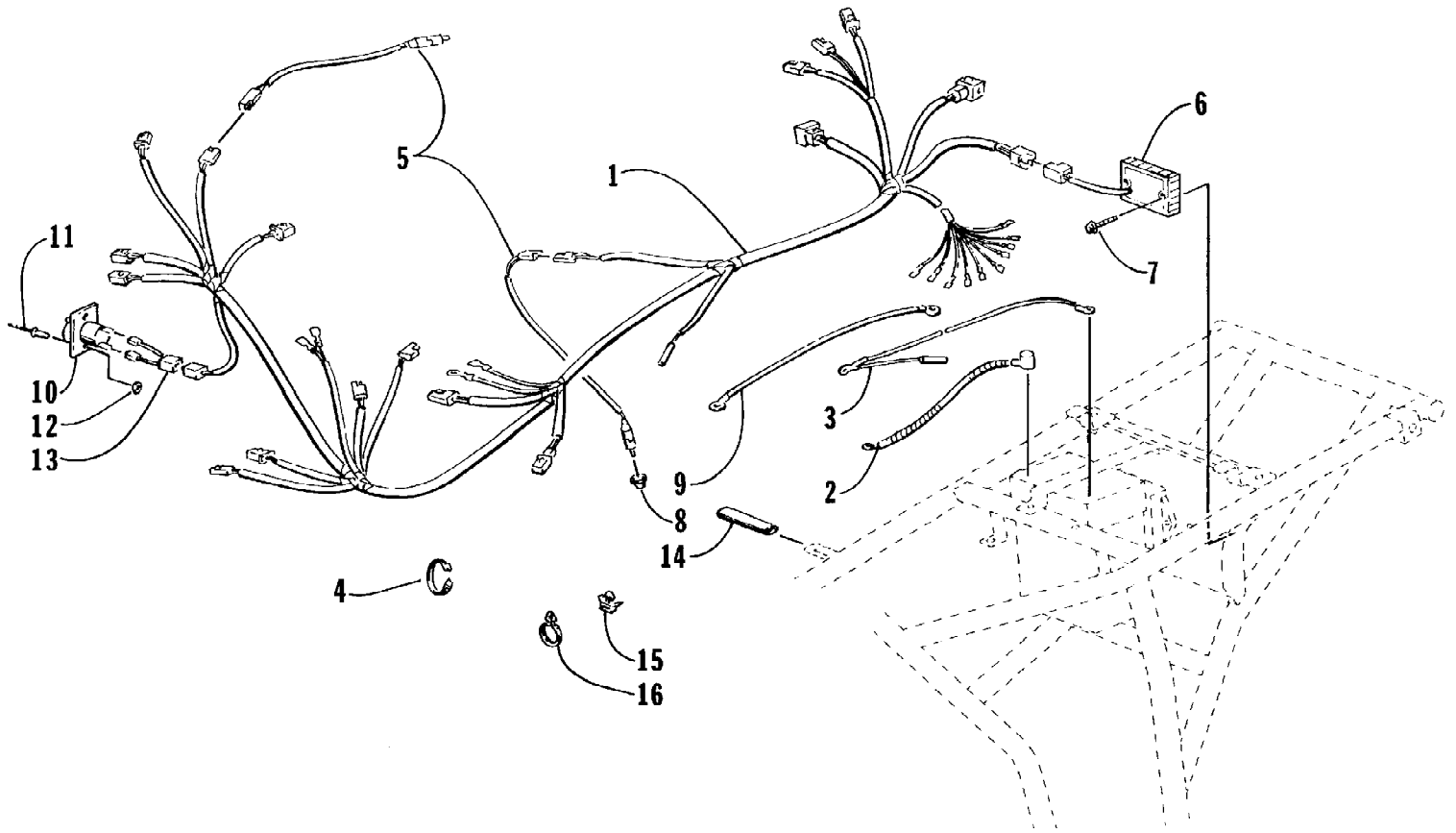


1996 BEARCAT 4X4 (96A4A-AP-1996)
WHEEL AND TIRE ASSEMBLY

Page 94 of 96

Ref #	Part Number	Qty	S/P/F	Description
1	0402-007	2		Tire, Front
2	0402-140	4		Cap, Valve Stem
3	0402-064	4		Valve, Stem
4	0402-005	2	S	Wheel - Front
5	0423-015	4		Nut, Hex
6	0123-458	4	/P	Pin, Cotter
7	0423-021	4		Washer
8	0402-099	4		Seal, Hub
9	0402-088	2	S	Hub, Wheel - Front
10	0402-009	3	S	Disc, Brake
11	0423-029	12		Screw, Machine
12	0402-080	2	S	Hub, Wheel - Rear
13	0402-006	2		Wheel - Rear
14	0402-008	2		Tire - Rear
15	0403-011	4	S	Cap, Wheel - Center
16	8409-020	16	/P	Screw, Cap
17	0402-074	1	F	Wheel and Tire Assy - RH (inc. 1, 4, and 16)
17	0402-075	1	F	Wheel and Tire Assy - LH (inc. 1, 4, and 16)
18	0402-076	1	F	Wheel and Tire Assy - RH (inc. 2, 3, 13, and 14)
18	0402-077	1	F	Wheel and Tire Assy - LH (inc. 2, 3, 13, and 14)

1996 BEARCAT 4X4 (96A4A-AP-1996)
WIRING HARNESS ASSEMBLY



1996 BEARCAT 4X4 (96A4A-AP-1996)
WIRING HARNESS ASSEMBLY

Page 96 of 96

Ref #	Part Number	Qty	S/P/F	Description
1	0486-001	1	/P	Harness, Main
2	0445-003	1	/P	Cable, Battery/Electric Start Relay
3	0445-002	1		Cable, Battery/Ground
4	0123-788	0	/P	Tie, Cable
5	0409-009	1		Switch, Brake - Assembly
6	0530-002	1		Regulator, Voltage
7	8408-630	2		Screw, Cap
8	0402-130	1	S	Retainer, Switch
9	0445-004	1		Cable, Battery/Electric Start
10	0445-001	4		Receptacle, 12V
11	8060-430	2	/P	Rivet
12	0123-149	2	/P	Washer
13	0486-004	1		Harness, 12V Receptacle