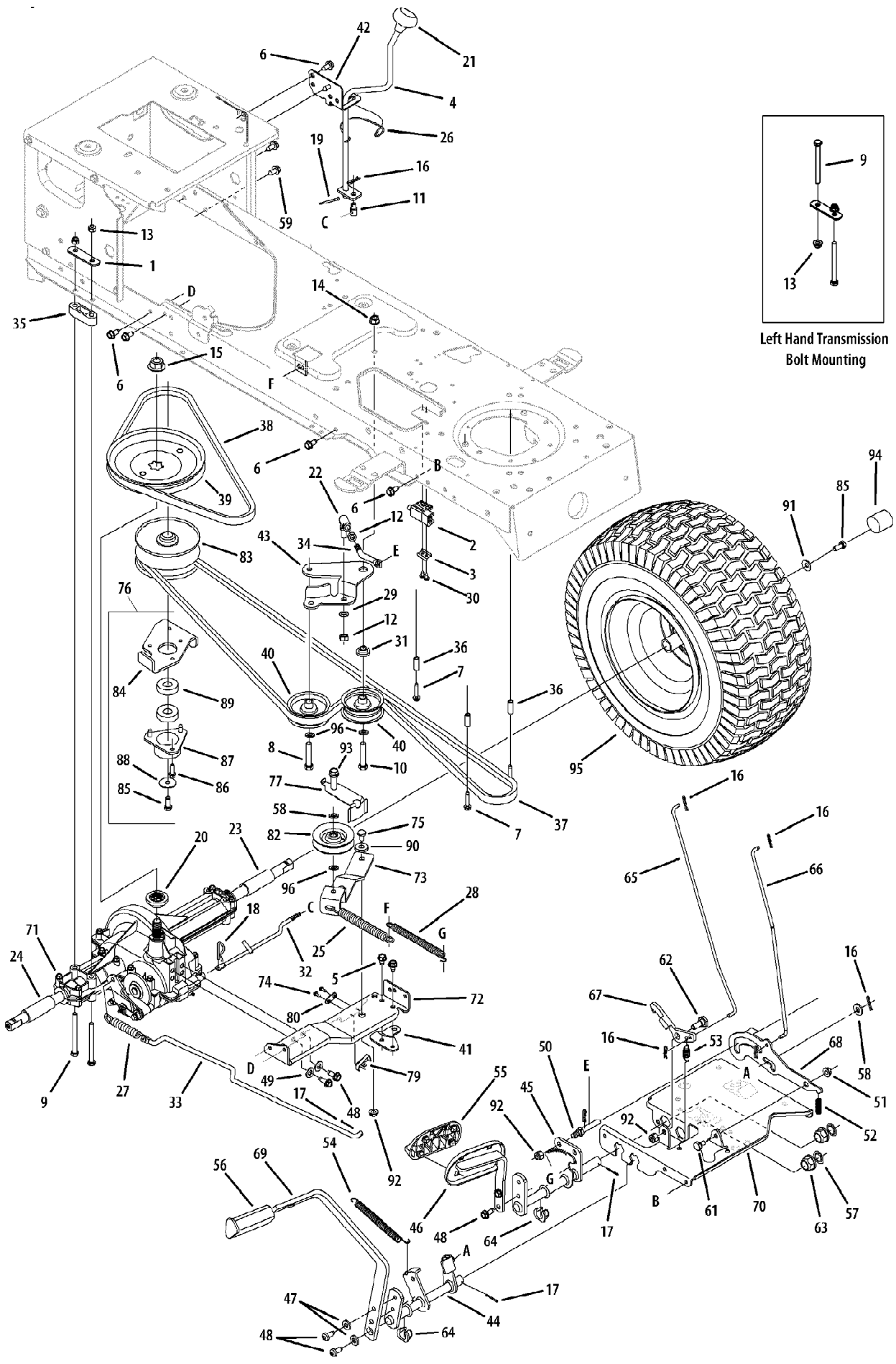


13AV60KG011 Bronco (2009)
Drive System



13AV60KG011 Bronco (2009)
Drive System

Page 2 of 23

Ref #	Part Number	Qty	S/P/F	Description
1	17840-0637	1	/P	Mounting Bracket, Trans-axle
2	925-04039	1	/P	Switch, Interlock
3	17962	1		Plate, Switch
4	647-04020	1		Lever Assembly, Shift
5	710-0607	1	/P	Screw, 5/16-18, 0.500
6	710-04484	1		Screw, 5/16-12, 0.750
7	710-0809	1		Screw, 1/4-20, 1.250
8	710-1007	1	/P	Screw, Sems, 3/8-16, 1.500
9	710-1266	1	/P	Screw, 5/16-18, 3.50, Gr5
10	710-3144	1	/P	Screw, 3/8-16, 2.00, Gr5
11	711-0736	1	/P	Adjustment Ferrule 1/4-20 x 1.
12	712-0241	1	/P	Nut, Hex, 3/8-24, Gr5
13	712-04063	1	/P	Nut, Flange Lock, 5/16-18, GrF
14	912-0431	1	/P	Nut, Flange Lock, 3/8-16, GrF
15	712-0700	1	/P	Nut, Flange, 9/16-18, Gr2
16	914-0104	1	/P	Pin, Cotter, .072 Dia. x 1.13
17	914-0111	1	/P	Pin, Cotter, 3/32, 1.0
18	914-0209	1	/P	Cotter .Pin, Internal, .125 Dia.
19	914-0470	1	/P	Pin, Cotter, 1/8 x 1.25
20	718-04407	1		Pulley Hub, 5/8 Spline
21	720-04028	1		Knob, Shift
22	923-3018	1	/P	Ball Joint
23	731-04602	1		Sleeve, .758 x .821 x 3.3125
24	731-04604	1		Sleeve, .758 x .821 x 2.4375
25	932-04370A	1	/P	Spring, Extension, .62 Dia x 6.12
26	732-0525	1		Spring Clip, Shifter
27	732-0716D	1	/P	Spring, Extension, .59 OD x 4.00
28	732-0963	1		Spring, Extension, .50 Dia x 6.37
29	936-0169	1	/P	Washer, Lock, 3/8
30	910-0224	1	/P	Screw, #10-16, .50
31	738-0372B	1	/P	Spacer, Shoulder, 1.00 x .38 x .38
32	747-04146C	1	/P	Rod, Shift
33	747-04164	1		Rod, Brake
34	747-1127	1		Idler Rod, Adjustable, 3/8
35	948-0334	1	/P	Spacer, .68
36	750-0566A	1	/P	Spacer, .260 x .372 x 1.030
37	954-0467	1	S	Belt, V-Type
38	954-0468	1	/P	Belt, V-Type
39	956-04002	1	/P	Pulley, V-Type, 7.25 Dia.
40	756-04224	1	/P	Idler Pulley, Flat 2.75 OD
41	783-04283A	1		Bracket, Shift
42	783-04360	1		Bracket, Shift, F-N-R
43	783-04442-0637	1		Idler Bracket, Center Double
44	647-04100-0637	1	/P	Control Assembly, Brake
45	647-0032A-0637	1	/P	Control Assembly, Speed
46	683-0266	1		Pedal Assembly
47	936-0119	1	/P	Lock Washer, 5/16
48	710-1260A	1	/P	Screw, 5/16-18, 0.750
49	936-0264	1	/P	Washer, Flat, .330 x .630 x .0635
50	711-04159B	1		Pin, 3/8-16 x 2.68
51	712-3004A	1	/P	Nut, Flange Lock, 5/16-18, Gr5
52	732-0335	1		Spring, Compression, .405 x 1.17
53	732-0955	1		Spring, Extension, .50 OD x 1.41

13AV60KG011 Bronco (2009)
Drive System

Page 3 of 23

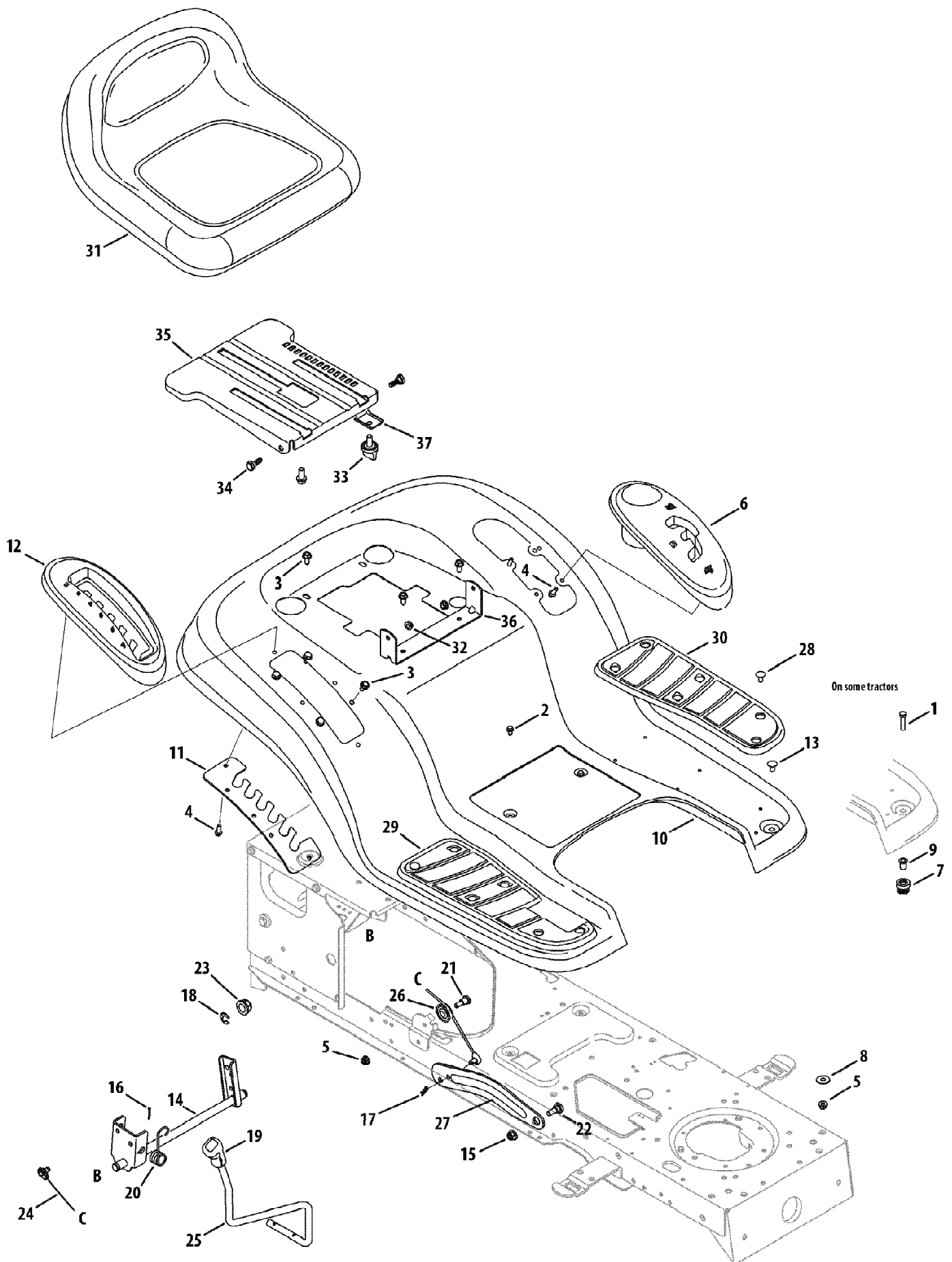
Ref #	Part Number	Qty	S/P/F	Description
54	732-0963	1		Spring, Extension,.50 OD x 6.37
55	735-0662	1		Pad
56	735-3049A	1	/P	Pad, Brake
57	736-0187	1	/P	Washer, Flat,.64 x 1.24 x.06, Ht
58	736-0262	1	/P	Washer, Flat,.385 x.870 x.092
59	710-04598	1		Hex Screw
61	938-0155	1	/P	Screw, Shoulder.437 Dia x.162
62	938-0380	1	/P	Screw, Shoulder,.50 x.27 Lg,
63	941-0225	1	/P	Bearing, Hex Flange
64	741-3065B	1	/P	Split Bearing, Hex Flange
65	747-04093A	1		Rod, Brake Lock
66	747-04096	1		Rod, Cruise Control
67	748-04039C	1		Latch, Cruise Control
68	783-0732A	1	/P	Bracket, Lockout
69	747-04641A-0637	1	/P	Pedal, Brake
70	783-04612-0637	1	/P	Bracket, Steering Support
71	918-04566	1	/P	Transmission, Single Speed
72	683-04287	1		Bracket Assembly, Torque
73	783-05904-0637	1		Bracket, Idler
74	710-0227	1	/P	Screw, #8-18 x.50
75	710-3005	1	/P	Hex Screw, 3/8-16 x 1.25
76	918-04423A	1	/P	Variable Speed Pulley Assembly
77	732-1013A	1		Belt Guard
79	725-1644	1		Switch Spring, Short
80	926-0320	1	/P	Plate, Insulator
82	756-04324	1		Idler Pulley, V-Type, 5L x 3.06
83	956-04015	1	S	Pulley, Variable Speed
84	683-04296	1		Bracket, Pulley
85	710-0627	1	/P	Screw, 5/16-24,.750
86	710-0778	1	/P	Screw, 1/4-20, 1.500
87	718-04261	1		Cup, Bearing
88	736-0362	1	/P	Washer, Flat
89	941-0124	1	S	Ball Bearing
90	738-04162A	1	/P	Shoulder Spacer, .8840 x .190
91	736-0242	1	/P	Washer, Bell,.340 x.872 x.060
92	712-04065	1	/P	Nut, Flange Lock, 3/8-16, GrF
93	710-04467	1		Screw, Sems, 3/8-16, 2.500
94	731-2290A	1	/P	Hub Cap
95	634-0104-0911	1	/P	Wheel Assy Comp, 20 x 8 x 8
95	734-1730-0901	1	/P	Tire Only 20 x 8 x 8 Not shown
95	634-04369-0662	1		Rim Only Not shown
95	934-0255	1	/P	Valve Stem Not shown
96	736-3010	1		Flat Washer, .407 x .812 x .135

13AV60KG011 Bronco (2009)
Engine Accessories

Page 5 of 23

Ref #	Part Number	Qty	S/P/F	Description
1	683-04549-0637	1	/P	Shield, Muffler
2	710-0227	1	/P	Screw, #8-18, 0.500
3	710-04683	1		Screw, Hex, 3/8-16 x 1.00
5	710-0642	1	/P	Screw, Hex, 1/4-20, 0.750
7	BS-692236	1	/P	Exhaust Gasket
8	725-0157	1	/P	Cable, Tie, 3/16 x .05 x 7.4
9	726-0205	1	/P	Hose Clamp
10	728-04000	1		Rivet, Pop, .188 x .325
12	751-0564B	1	/P	Deflector, Muffler
13	751-10349	1		Fuel Line, Low Permeation
14	751-10353	1		Extension, Deflector
15	951-10517A	1	/P	Drain, Oil
16	751-11022	1		Muffler, Single Inlet
18	751-3141-14	1	/P	Extension Hose, Oil Drain

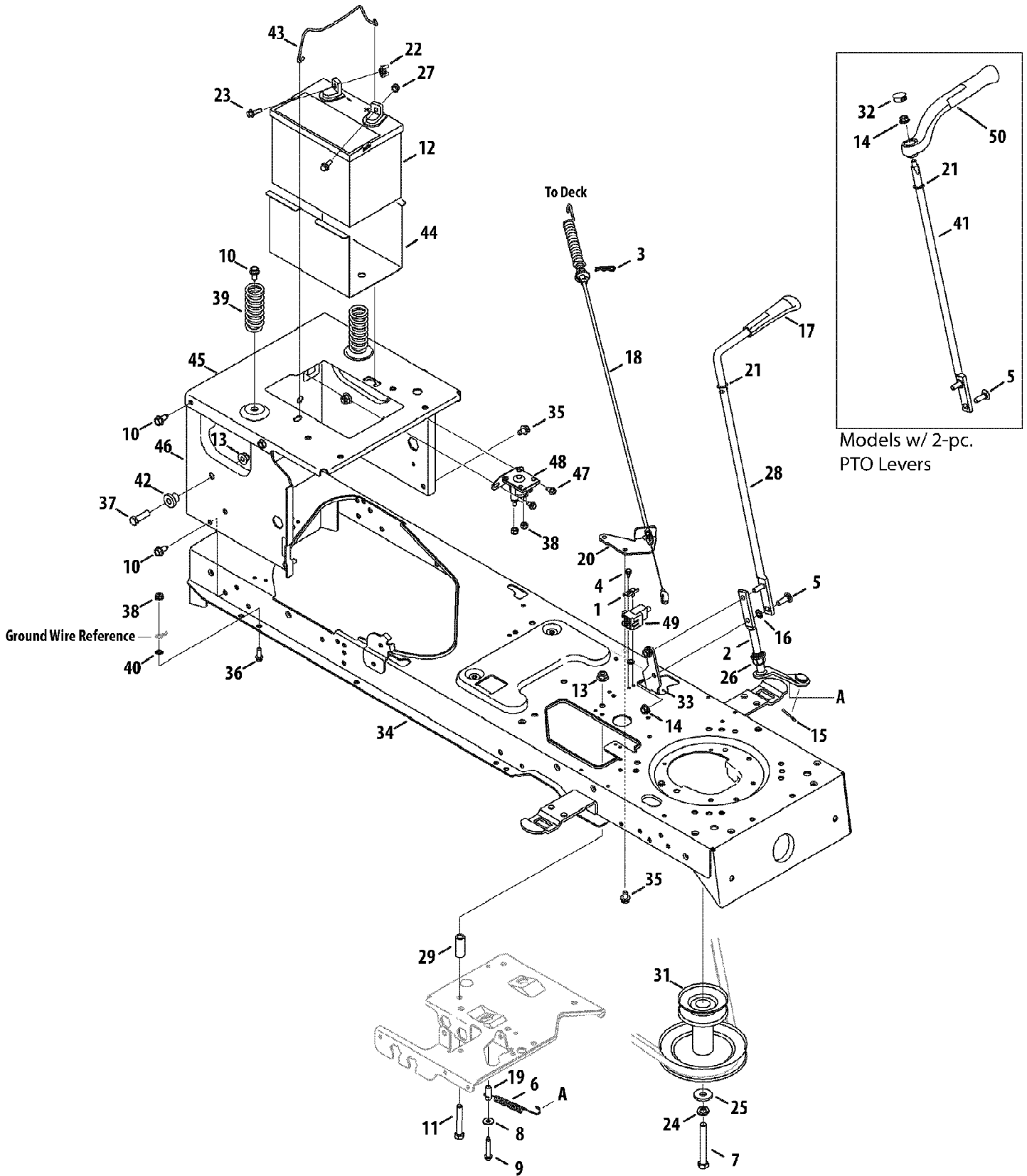
13AV60KG011 Bronco (2009)
Fender, Deck Lift & Seat



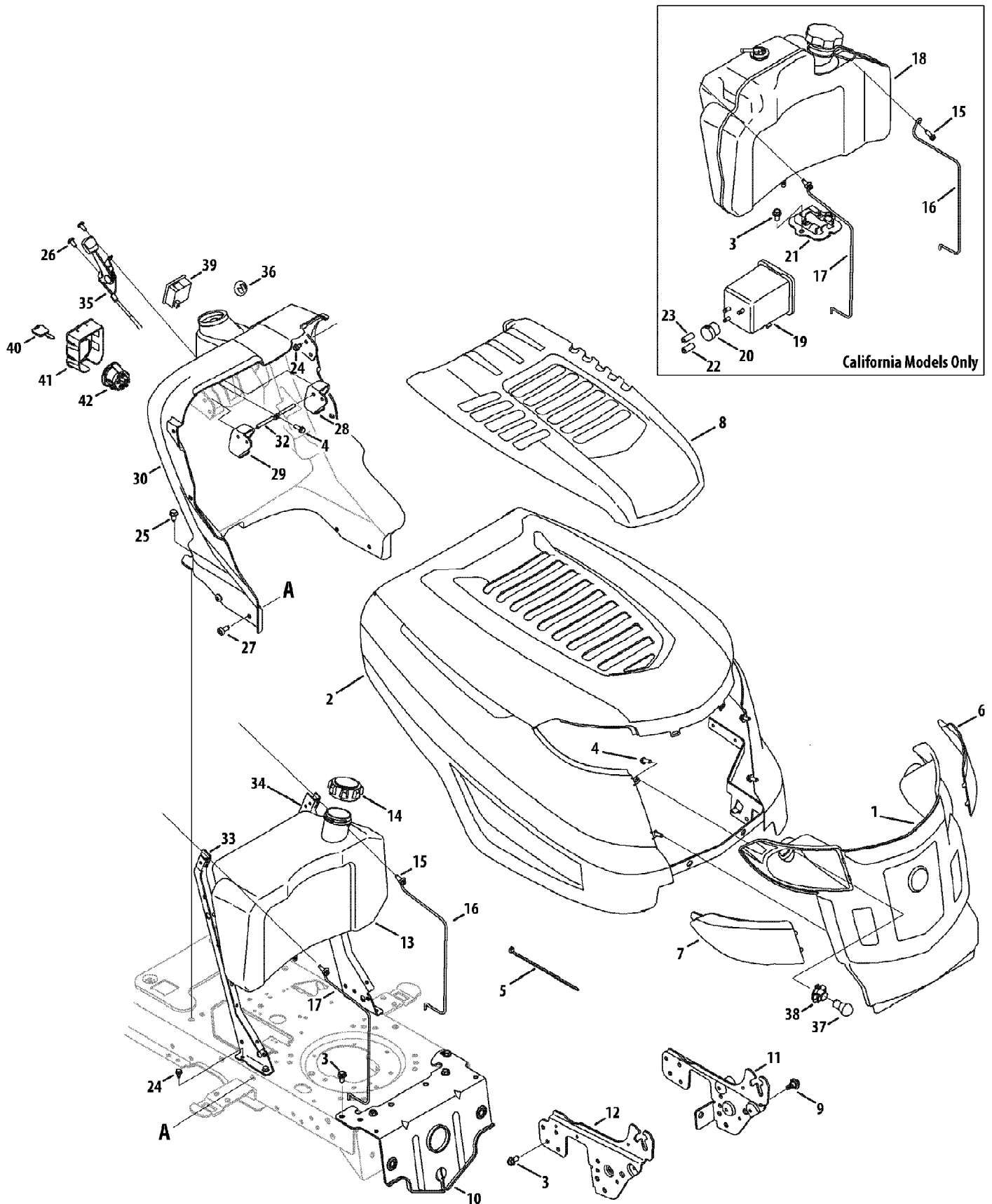
13AV60KG011 Bronco (2009)
Fender, Deck Lift & Seat

Page 7 of 23

Ref #	Part Number	Qty	S/P/F	Description
1	710-0528	1	/P	Hex Screw, 5/16-18 x 1.25
2	710-0599	1	/P	Screw, 1/4-20, 0.500
3	710-04484	1		Screw, 5/16-18, 0.750x
4	710-0895	1		Screw, 1/4-15, 0.750
5	712-04063	1	/P	Nut, Flange Lock, 5/16-18, GrF
6	731-2104C	1	S	Cover, w/ Cup Holder
7	735-0690	1		Grommet, .4375 x .750
8	736-3078	1	/P	Washer, Flat, .344 x 1.0 x.063
9	750-3310	1		Flanged Spacer
10	783-06246-0638	1		Fender (4-Style) shown
11	783-0677B-0637	1	/P	Lift Adjustment Bracket
12	731-06795	1		Lift Lever Cover
13	710-0451	1	/P	Carriage Bolt, 5/16-18 x .750
14	683-04223-0637	1	/P	Deck Lift Shaft Assembly
15	712-04065	1	/P	Nut, Flange Lock, 3/8-16, GrF
16	914-0104	1	/P	Pin, Cotter, .072 Dia. x 1.13
17	914-0111	1	/P	Pin, Cotter, 3/32, 1.0
18	716-0106A	1		Ring, E Type, .625 Dia.
19	720-0311	1		Grip, Handle, 1/2
20	732-0874	1	/P	Spring, Torsion
21	738-0138A	1	/P	Screw, 5/16-18 x.620 Gr2
22	738-04130	1		Scr., Shldr, .625 x.165, (42" Deck)
22	938-0380	1	/P	Screw, Shld, .50 x.27, (46" & 50" Deck)
23	941-0225	1	/P	Bearing, Hex Flange
24	746-0968	1		Cable, Lift, 16.16
25	747-04447	1		Handle, Lift
26	756-1154	1		Pulley, Roller
27	783-04494B-0637	1	S	Arm, Lift - RH (42" Deck) (shown)
27	783-04711B-0637	1	S	Arm, Lift - LH (42" Deck) (not shown)
27	783-04963A-0637	1		Arm, Lift (46" Deck) (not shown)
27	783-05546-0637	1	S	Arm, Lift (50" Deck) (not shown)
28	726-3046	1	/P	Ratchet Clip
29	735-0656	1		RH Foot Pad, Rubber
30	735-0657	1		LH Foot Pad, Rubber
31	757-04081	1		Medium Back Seat
31	757-04086	1		High Back Seat (not shown)
32	712-3004A	1	/P	Nut, Flange Lock, 5/16-18, Gr5
33	720-04061	1		Knob, 3/8-16
34	938-0296	1	/P	Screw, Shoulder, .437 x.268
35	783-06049-0637	1		Seat Mounting Bracket
36	783-06088-0637	1		Seat Pivot Bracket
37	783-06266-0637	1	/P	Seat Adjustment Knob Bracket



Ref #	Part Number	Qty	S/P/F	Description
1	17962	1		Plate, Switch
2	947-04036A	1	/P	Lever Assembly, Engagement
3	914-0145	1	/P	Click Pin
4	910-0224	1	/P	Screw, #10-16, 0.500
5	710-0276	1	/P	Screw, Carriage, 5/16-18, 1.00
6	732-04248	1		Extension Spring, .38 OD x 3.9 Lg
7	710-04608	1		Screw, 7/16-20, 3.25 42" Deck
7	710-04607	1		Screw, 7/16-20, 2.75 46" Deck
8	736-0173	1	/P	Washer, Flat, .28 x .74 x .063
9	710-0778	1	/P	Screw, 1/4-20 x 1.50
10	710-04484	1		Screw, 5/16-18 x 0.625
11	710-3011	1	/P	Screw, 3/8-16 x 2.25
12	925-1707D	1	/P	Battery, 190 CCA
13	712-04065	1	/P	Nut, Flange Lock, 3/8-16, GrF
14	712-3004A	1	/P	Nut, Flange Lock, 5/16-18, Gr5
15	914-0115	1	/P	Pin, Cotter, 1/8 x 1.00
16	726-0201	1		Nut, Speed, .3125 ID
17	731-2111B	1	/P	Knob, PTO
18	746-04353A	1	S	Deck Engagement Cable
19	750-0566A	1	/P	Spacer, .260 x .372 x 1.030 Lg.
20	783-05358-0637	1		Cable Bracket
21	936-0108	1	/P	Washer, Flat, .510 x .750 x .033
22	712-3087	1	/P	Nut, Wing, 1/4-20
23	738-1132	1		Screw, Shoulder, .250 x .150
24	936-0171	1	/P	Washer, Lock, 7/16
25	736-0322	1	/P	Washer, Flat, .450 x 1.250 x .164
26	741-0708	1		Bearing, Flange, Hex Split .500 ID
27	712-0271	1	/P	Nut, Sems, 1/4-20
28	747-04470	1		Engagement Handle, Deck
29	748-0415B	1	/P	Spacer, .385 ID x .635 OD x 1.54
31	756-04196A	1	/P	Pulley, Engine, 42" Deck
31	756-04207A	1	/P	Pulley, Engine, 46" Deck
32	720-0425	1		Cap Plug
33	783-0744A-0637	1	/P	Stop Bracket, Engagement
34	683-04173B-0637	1	/P	Frame Assembly, Lower
35	710-0607	1	/P	Screw, 5/16-18, 0.500
36	710-0642	1	/P	Screw, 1/4-20, 0.750
37	710-3005	1	/P	Screw, 3/8-16, 1.25, Gr5
38	712-04064	1	/P	Nut, Flange Lock, 1/4-20, GrF
39	732-04561	1		Spring, Compr., 1.71 x 3.735 x .238
40	936-0222	1	/P	Washer, Lock, 1/4, External
41	747-04855	1		Deck Engage Handle
42	738-04058	1		Spacer, Shoulder, .38 x 1.0 x .70
43	747-04121A	1		Hold Rod, Battery
44	783-0349-0637	1		Battery Tray
45	783-06089-0637	1		Seat Bracket, Frame
46	783-04809C-0637	1	/P	Frame, Upper
47	710-0599	1	/P	Screw, 1/4-20, 0.50
48	725-04439	1		Solenoid, 12V, 100 Amp
49	925-04039	1	/P	Switch, Interlock
50	647-04147	1		PTO Lever



13AV60KG011 Bronco (2009)
Hood & Dash Assembly

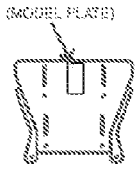
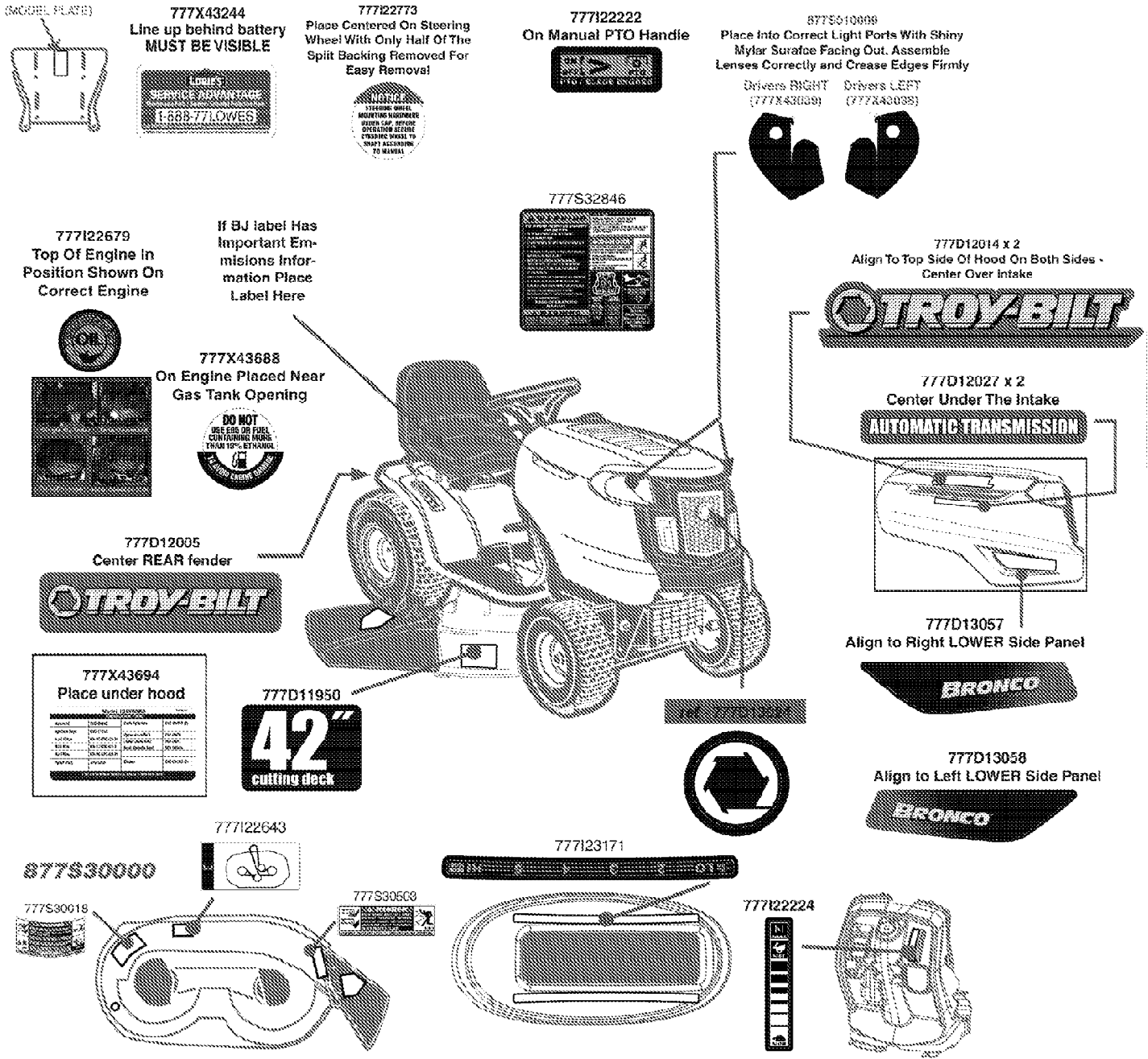
Page 11 of 23

Ref #	Part Number	Qty	S/P/F	Description
1	631-04272	1	/P	Grill Assembly
2	683-04441-0638	1		Hood, K-Style
3	710-04484	1		Screw, 5/16-18, 0.625
4	710-0895	1		Self-tapping Screw, 1/4-15 x.75
5	725-0157	1	/P	Cable Tie, 3/16 x .05 x 7.4
6	731-06095	1		Headlight Lens (LH)
7	731-06096	1		Headlight Lens (RH)
8	731-06194A	1	/P	Hood Scoop
9	738-04091A	1	/P	Shoulder Screw,.43 x.29
10	783-05326-0637	1	/P	Pivot Bar Bracket
11	783-05327B-0637	1	/P	Pivot support Bracket, LH
12	783-05328A-0637	1	/P	Pivot support Bracket, RH
13	751-10609	1		Fuel Tank, 2.5 gal.
14	751-0603A	1	/P	Fuel Tank Cap
15	710-0642	1	/P	Screw, 1/4-20, 0.750
16	747-04161	1		Gas Tank Support Rod LH
17	747-04946	1		Gas Tank Support Rod RH
18	651-04218	1		Fuel Tank, 2.5 gal. Assembly (CARB)
18	951-10587	1	/P	Fuel Cap, 2.25 ID Female
18	751-10441	1		Rollover Valve Grommet Mount
18	735-04081	1		Rubber Grommet, 23.0 ID x 3.55
18	951-10573	1	/P	Fuel Tank, 2.5 gal.
19	951-10589	1	/P	Carbon Canister California Models Only
20	951-10590	1	/P	Canister Filter Vent California Models Only
21	951-10610	1	/P	Canister Adapter Bracket California Models Only
22	951-10749	1		Fuel Line, 3/16 California Models Only
23	951-10750	1		Fuel Line, 7/32 California Models Only
24	710-0599	1	/P	Screw, 1/4-20, 0.500
25	710-0607	1	/P	Screw, 5/16-18 x 0.500
26	710-1017	1	/P	Screw, 1/4-14 x.625
27	710-1611B	1	/P	Screw, 5/16-18 x.75
28	731-04728	1		Parking Brake Button
29	731-04729	1		Cruise Control Button
30	731-06166	1		Dash Panel w/ Manual PTO
31	735-0271A	1	/P	Rubber Bumper Not Shown
32	747-1196	1		Brake/Cruise Pivot Rod
33	783-04285F-0637	1	/P	RH Dash Support Plate
34	783-04323F-0637	1	/P	LH Dash Support Plate
35	746-04364	1		Throttle/Choke Control Cable
36	731-1999	1		Choke Plug
37	925-0963	1	/P	Headlamp, 12V
38	925-1649	1	/P	Lamp Socket
39	925-04156	1	/P	Systems Ind. Monitor w/ Amtr.
40	925-1745A	1	/P	Ignition Key w/ plastic cover
41	731-05241A	1	/P	Switch Housing
42	925-04659	1	/P	Module, Ignition Switch (3 position)
	925-04227B	1	/P	Module, Ignition Switch (4 position) Not Shown
	725-04867	1		Wire Harness (no RMC - 3 Position) Not Shown, Replaces 725-04645C

13AV60KG011 Bronco (2009)
Hood & Dash Assembly

Page 12 of 23

Ref #	Part Number	Qty	S/P/F	Description
	725-04864	1		Wire Harness (w/ RMC - 4 Position) Not Shown
	725-04645C	1	/P	Wire Harness (no RMC - 3 Position) Not Shown, Model 13AV60KG011 only
	725-04658	1		Harness, Jumper Not Shown, Use with 725-04645C
	929-04083B	1	/P	Harness, Headlight Not Shown, Use with 725-04645C
	777X43039	1		Headlight Lens Reflector RH Not Shown



777X43244
Line up behind battery
MUST BE VISIBLE



77722773
Place Centered On Steering Wheel With Only Half Of The Split Backing Removed For Easy Removal

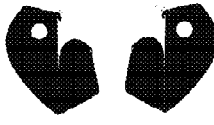


77722222
On Manual PTO Handle




877S010009
Place Into Correct Light Ports With Shiny Mylar Surface Facing Out. Assemble Lenses Correctly and Crease Edges Firmly

Drivers **RIGHT** (777X430309)
Drivers **LEFT** (777X430308)




777I22679
Top Of Engine In Position Shown On Correct Engine




If BJ label Has Important Emissions Information Place Label Here




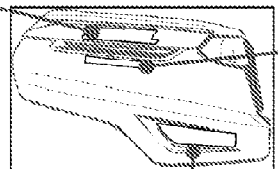
777D12014 x 2
Align To Top Side Of Hood On Both Sides - Center Over Intake



777X43688
On Engine Placed Near Gas Tank Opening




777D12027 x 2
Center Under The Intake

777D12005
Center **REAR** fender



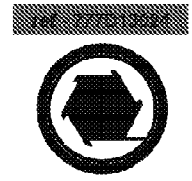
777D13057
Align to Right **LOWER** Side Panel



777X43694
Place under hood

Model Information			
Model	Serial	Part No.	Part Name
Model	Serial	Part No.	Part Name
Model	Serial	Part No.	Part Name
Model	Serial	Part No.	Part Name
Model	Serial	Part No.	Part Name
Model	Serial	Part No.	Part Name
Model	Serial	Part No.	Part Name
Model	Serial	Part No.	Part Name

777D11950
42"
cutting deck

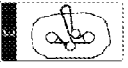
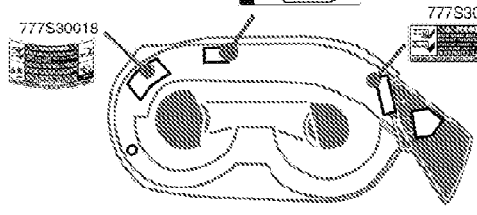
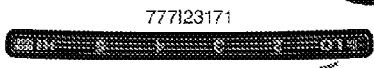



777D13058
Align to Left **LOWER** Side Panel

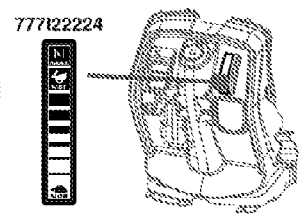
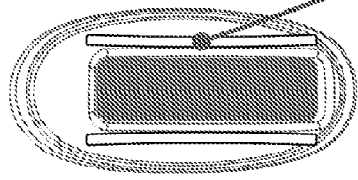


877S30000

777I22643

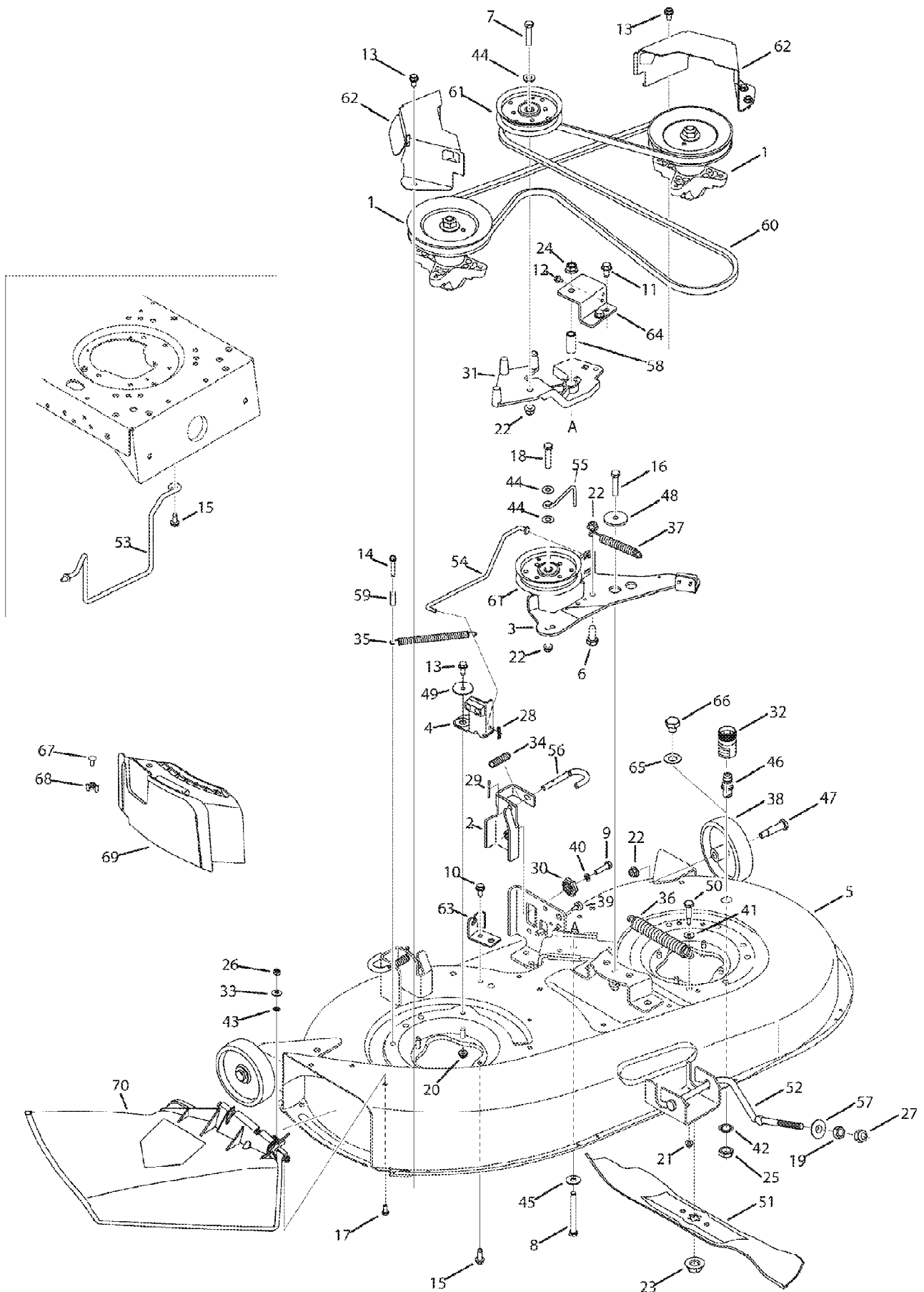



777S30508

Ref #	Part Number	Qty	S/P/F	Description
777X43244	777X43244	1		LABEL-LOWE'S SERVICE ADVANTAGE
777I22679	777I22679	1		LABEL-CHECK ENG OIL
777X43688	777X43688	1		LABEL-ETHANOL
777D12005	777D12005	1		LABEL-RIDER REAR FENDER TROY
777X43694	777X43694	1		LABEL-RIDER:PARTSLIST:13AV60KG
777D11950	777D11950	1		LABEL-RIDER DECK TROY 42"
777S30018	777S30018	1	/P	LABEL-DECK SAFETY
777I22643	777I22643	1		LABEL-DECK BELT ROUTE 42"
777S30503	777S30503	1	/P	LABEL-DANGER CHUTE
777I23171	777I23171	1		LABEL-RIDER DECK HT RT99
777I22224	777I22224	1		LABEL-DASH RH
777D13024	777D13024	1		LABEL-TROYBILT/GEAR
777D13058	777D13058	1		LABEL-RIDER:HOOD BRONCO LH
777D13057	777D13057	1		LABEL-RIDER:HOOD BRONCO RH
777D12027	777D12027	1		LABEL-RIDER K STYLE HOOD AUTOTRANS
777D12014	777D12014	1		LABEL-RIDER HOOD K STYLE TROY
777X43038	777X43038	1		LABEL-RIDER K STYLE LH
777X43039	777X43039	1		LABEL-RIDER K STYLE RH
777S32846	777S32846	1		LABEL-RIDER SAFETY:CRUISE
777I22222	777I22222	1		LABEL-PTO HANDLE
777I22773	777I22773	1		LABEL-RIDER:SECURE WHEEL

13AV60KG011 Bronco (2009)
Mowing Deck 42 Inch



13AV60KG011 Bronco (2009)
Mowing Deck 42 Inch

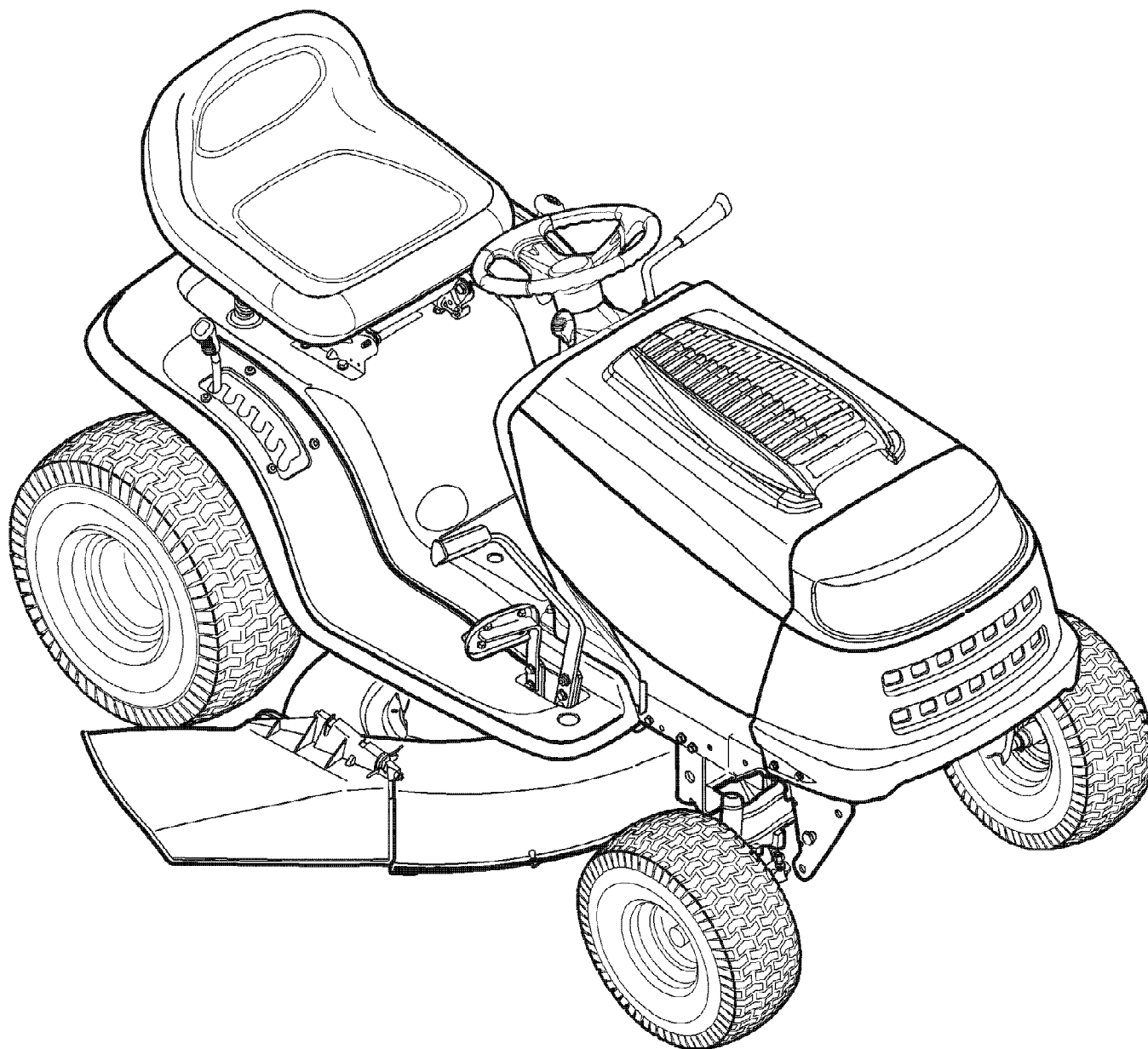
Page 16 of 23

Ref #	Part Number	Qty	S/P/F	Description
1	918-04456	1	S	Spindle Assembly Pulley 6.3 Dia
1	712-0417A	1	/P	Flange Nut:5/8-18 Not shown
1	938-04241	1	/P	Spindle Shaft :5.50 LG Not shown
1	941-0919	1	/P	Ball Bearing:20x47x14:62 Not shown
1	750-04739	1		Spacer:.820x 1.150 x .480 Not shown
1	750-1000	1		Spacer:.80 x 1.10 x 1.322 Not shown
1	956-1227	1	/P	Deck Pulley:6.3 Dia Not shown
2	683-0254B-0637	1	/P	Deck Hanger Bracket Assy. LH
3	683-04138B-0637	1	/P	Brake Assembly, 42" Deck
4	683-04167	1	S	Brake Assembly, 42" Deck
5	983-04261-0637	1	/P	Deck Assembly 42" W/Whl Brkt.
6	710-0216	1	/P	Screw, 3/8-16 x .75 GR5 STD
7	710-0347	1	/P	Screw, 3/8-16 x 1.75 GR5 STD
8	710-0510	1	/P	Screw, 7/16-20 x 3.00 GR5 STD
9	710-0528	1	/P	Screw, 5/16-18 x 1.25 GR5 STD
10	710-04484	1		Screw, 5/16-18 x 0.75
11	710-0623	1	/P	Screw, 3/8-16 x 0.750
12	710-0653	1	/P	Screw, 1/4-20 x 0.375
13	710-3008	1	/P	Screw, 5/16-18 x 0.750
14	710-0778	1	/P	Screw, 1/4-20 x 1.500
15	710-1260A	1	/P	Screw, 5/16-18 x 0.750
16	710-3005	1	/P	Screw, 3/8-16 x 1.25
17	710-3015	1	/P	Screw, 1/4-20 x .75
18	710-3144	1	/P	Screw, 3/8-16 x 2.00
19	912-0206	1	/P	Hex Nut, 1/2-13
20	712-04063	1	/P	Flange Lock Nut, 5/16-18
21	712-04064	1	/P	Flange Lock Nut, 1/4-20
22	712-04065	1	/P	Flange Lock Nut, 3/8-16
23	712-0417A	1	/P	Flange Nut, 5/8-18
24	712-0459	1	/P	Flange Lock Nut, 7/16-20
25	912-0641	1	/P	Hex Nut, M16-1.5 DIN 936
26	712-3006	1	/P	Hex Nut, 1/4-20
27	712-3083	1	/P	Hex Lock Nut, 1/2-13
28	914-0104	1	/P	Cotter Pin, .072 Dia. x 1.13 Lg.
29	914-0470	1	/P	Cotter Pin, 1/8 x 1.25
30	917-04074	1	/P	Deck Gear Adjustment
31	719-04233-0637	1	/P	Idler Bracket, Cast 42" DECK
32	921-04041	1	/P	Water Nozzle Adapter
33	726-0233	1	/P	Push Nut, .25 ID x .50 OD
34	932-0306A	1	/P	Compression Spring .531 x 1.75
35	732-04287	1		Extension Spring, .500 x 6.375
36	732-0459C	1	/P	Extension Spring, .94 x 6.74
37	932-0470A	1	/P	Extension Spring, .53 x 4.75
38	734-0973	1	/P	Deck Wheel, 5.0 x 1.38
39	735-0271A	1	/P	Bumper, .62 Dia. x .3
40	936-0119	1	/P	Lock Washer, 5/16
41	736-0173	1	/P	Flat Washer, .28 x .74 x .063
42	736-0225	1	/P	Lock Washer, 5/8
43	736-0270	1	/P	Bell Washer, .265 x .75 x .062
44	936-0300	1	/P	Flat Washer, .406 x .875 x .059
45	736-0322	1	/P	Flat Washer, .450 x 1.250 x .164
46	737-04003D	1	/P	Deck Water Nozzle
47	938-0373	1	/P	Shoulder Bolt, .496 x 1.525

13AV60KG011 Bronco (2009)
Mowing Deck 42 Inch

Page 17 of 23

Ref #	Part Number	Qty	S/P/F	Description
48	738-04162A	1	/P	Shoulder Spacer, .8840 x .190
49	738-04166	1		Shoulder Spacer, .5000 X .1475
50	738-04272	1		Shoulder Screw, .374 x 1.16
51	942-0616A	1	/P	3 in 1 Star Blade 21.23"LG
52	747-04269A	1	/P	Adjustable Front Deck Rod,
53	747-04857	1	/P	Belt-Keeper Rod, 42"
54	747-04501	1		Brake Control Ride, 42"
55	747-04530	1		Belt Keeper Rod, 42" IDLER
56	747-1116	1	/P	Deck Release Handle Rod
57	748-04069	1		Deck Lift Pivot Cup
58	750-04637B	1		Spacer, .455 X .697 X 1.585
59	750-0566A	1	/P	Spacer, .260 x .372 x 1.030
60	954-04045	1	/P	V-Belt
61	756-04129B	1	/P	Idler Pulley, 4.25"DIA
62	783-04327B-0637	1	/P	Belt Covers, 6.00 DIA
63	783-04740-0637	1		Cable Deck Engage Bracket
64	783-05490-0637	1		Support Bracket
65	736-0187	1	/P	Flat Washer, .64 x 1.24 x .06
66	738-04146	1		Bolt Plug, M16 x 1.5
67	710-0134	1	/P	Carriage Screw, 1/4-20 x .62
68	712-3087	1	/P	Wing Nut, 1/4-20
69	731-2363	1	/P	Mulch Plug
70	931-1032B	1	/P	Discharge Chute Assembly



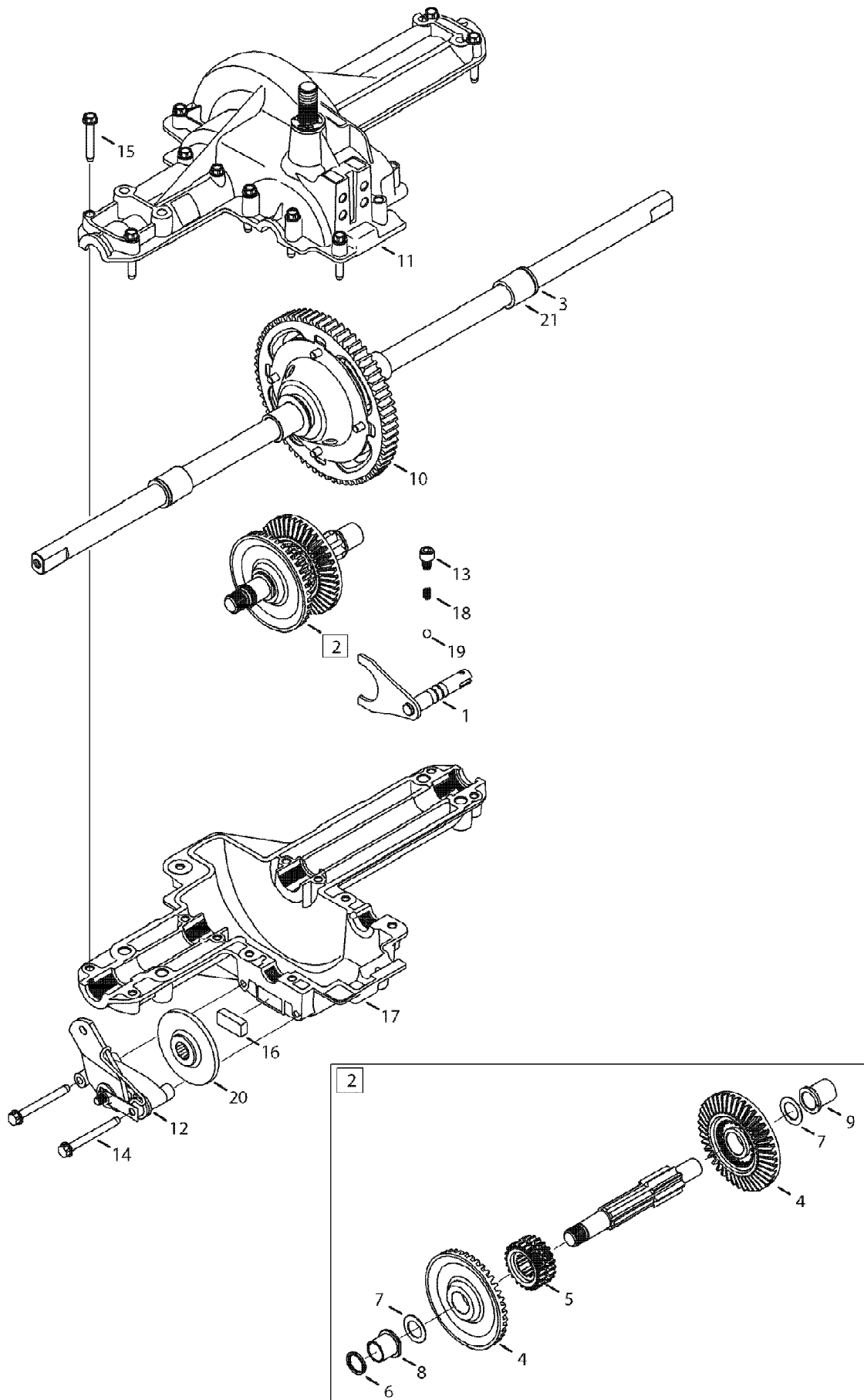
13AV60KG011 Bronco (2009)
Quick Reference Bronco

Page 19 of 23

Ref #	Part Number	Qty	S/P/F	Description
	KH-12-050-01-S	1	/P	OIL FILTER
	KH-20-883-02-S1	1	/P	AIR FILTER
	NA	1		PRE-CLEANER ELEMENT
	759-3336	1	/P	SPARK PLUG
	KH-25-050-22-S1	1	/P	FUEL FILTER
	942-0616A	1	/P	BLADES
	712-0417A	1	/P	BLADE NUT
	954-0468	1	/P	UPPER DRIVE BELT
	954-0467	1	S	LOWER DRIVE BELT
	954-04045	1	/P	DECK SPINDLE BELT
	NA	1		ENGINE TO DECK BELT
	918-04456	1	S	DECK SPINDLES
	925-1745A	1	/P	IGNITION KEYS
	725-04439	1		SOLENOID
	951-3111	1	S	FUEL CAP
	NA	1		DECK WHEELS
	923-0448A	1	/P	BALL JOINTS
	741-0516B	1	/P	WHEEL BUSHINGS
	741-0990B	1	/P	WHEEL BUSHINGS - In board
	725-04363	1		SAFETY SWITCH-DECK
	925-04039	1	/P	SAFETY SWITCH-BRAKE/CLUTCH
	NA	1		WATER NOZZLE ADAPTER
	OEM-190-116	1	/P	MULCH KIT Attachment
	OEM-190-180A	1	/P	BAGGER Attachment
	OEM-190-679	1	/P	BUMPER KIT Attachment

Ref #	Part Number	Qty	S/P/F	Description
1	710-04095	1		Hex Screw, 3/8-16, 1.00, Gr5
2	710-0514	1	/P	Hex Screw, 3/8-16, 1.00, Gr5
3	710-0643	1	/P	Hex Screw, 5/16-18, 1.00, Gr5
4	711-1408	1		Link, Drag, RH
5	711-1409A	1	/P	Link, Drag, LH
6	912-0214	1	/P	Nut, Hex Lock, 3/8-24
7	712-04065	1	/P	Nut, Flange Lock, 3/8-16, Grf
8	712-0459	1	/P	Nut, Flange Lock, 7/16-20
9	712-3004A	1	/P	Nut, Flange Lock, 5/16-18, Gr5
10	917-1550E	1	S	Gear, Steering, 11/90 Ratio
11	717-1554	1		Gear, Pinion, Steering
12	923-0448A	1	/P	Ball Joint, 7/16-20, Lock
13	936-3004	1	/P	Washer, Flat, .406 x .875 x .105
14	736-3084	1	/P	Washer, Flat, .51 x 1.12 x .06
15	738-04154	1		Spacer, Shoulder, .38 x 1.00 x .31
16	738-04263	1		Shaft, Steering, .625 OD x 24.25
17	741-04237A	1	S	Hex Flange Bearing
18	941-0475	1	/P	Plastic Bushing .380 ID
19	683-0128B-0637	1	/P	Pivot Bar Axle Assembly
20	714-0162	1	/P	Cotter Pin, 5/32 x 1.25 (Cast Axle)
21	726-0341	1	/P	Push Cap (Stamped Axle)
22	931-1291A	1	/P	Pivot Bar End Cap w/ fitting
23	736-04228A	1		Flat Washer, .781 x 1.59
24	741-0660A	1	/P	Flange Bearing
25	631-04028	1		Steering Wheel
26	731-04681	1		Steering Wheel Cap, Tine Logo
27	731-05674	1		Push Cap, 3/4
28	638-04006A-0637	1	S	LH Axle Assembly, .750 (42" Deck)
28	638-04003AP	1	/P	LH Axle Assembly, .750 (46" & 50")
29	638-04005A-0637	1	S	RH Axle Assembly, .750 (42" Deck)
29	938-04004A	1	/P	RH Axle Assembly, .750 (46" & 50")
30	738-04128	1		Shoulder Bolt, .5 x 2.38, 3/8-16
31	634-04086-0911	1	/P	Wheel Assembly Complete, 15x6
31	734-1731-0901	1	/P	Tire Only 15 x 6 x 6
31	934-04081-0662	1	/P	Rim Only w/ Valve Stem

13AV60KG011 Bronco (2009)
Transmission



13AV60KG011 Bronco (2009)
Transmission

Page 23 of 23

Ref #	Part Number	Qty	S/P/F	Description
1	911-0011	1	/P	Detent Shaft Assembly
2	911-04091	1	/P	Drive Shaft Assy. (Incl. Ref No. 4 - 9)
3	921-0338	1	/P	Seal,.75 x 1.0 x.125
4	917-04479	1	S	Bevel Gear, 42 tooth spline
5	718-04381P	1	/P	Single Speed Clutch Collar
6	721-0213	1	/P	Seal, .625 x .812 x .094
7	936-0336	1	/P	Flat Washer 5/8 x 1 x .030 As required
7	936-0337	1	/P	Flat Washer .634 x 1 x .04 As required
7	936-0349	1	/P	Flat Washer .63 x 1 x .02 As required
7	736-0494	1		Flat Washer .632 x 1 x .035 As required
7	936-0495	1	/P	Thrust Washer 1.00 x .632 x .0 As required
8	941-0336	1	/P	Flange Bearing, 5/8 x 3/4 x 3/4
9	941-0337	1	/P	Flange Bearing, 5/8 x 3/4 x 15/16
10	918-04567A	1	S	Differential Assembly
11	919-04187	1	/P	Upper Housing
12	961-0001	1	/P	Brake Assembly
13	710-04731	1		Self-tapping Screw, 5/16-18 x .375
14	710-1206	1	/P	Self-tapping Screw, 1/4-20 x 2.375
15	710-1325	1	/P	Self-tapping Screw, 1/4-20 x 1.625
16	917-0678	1	/P	Brake Puck
17	919-04329	1	/P	Lower Housing
18	932-0863	1	/P	Compression Spring
19	741-0862	1	/P	Detent Ball
20	761-0202	1		Brake Disc
21	941-0340	1	/P	Sleeve Bearing,.75 x.1.0 x 1.0
	737-0300A	1	/P	Grease, Benalene (19 oz.) Not Shown