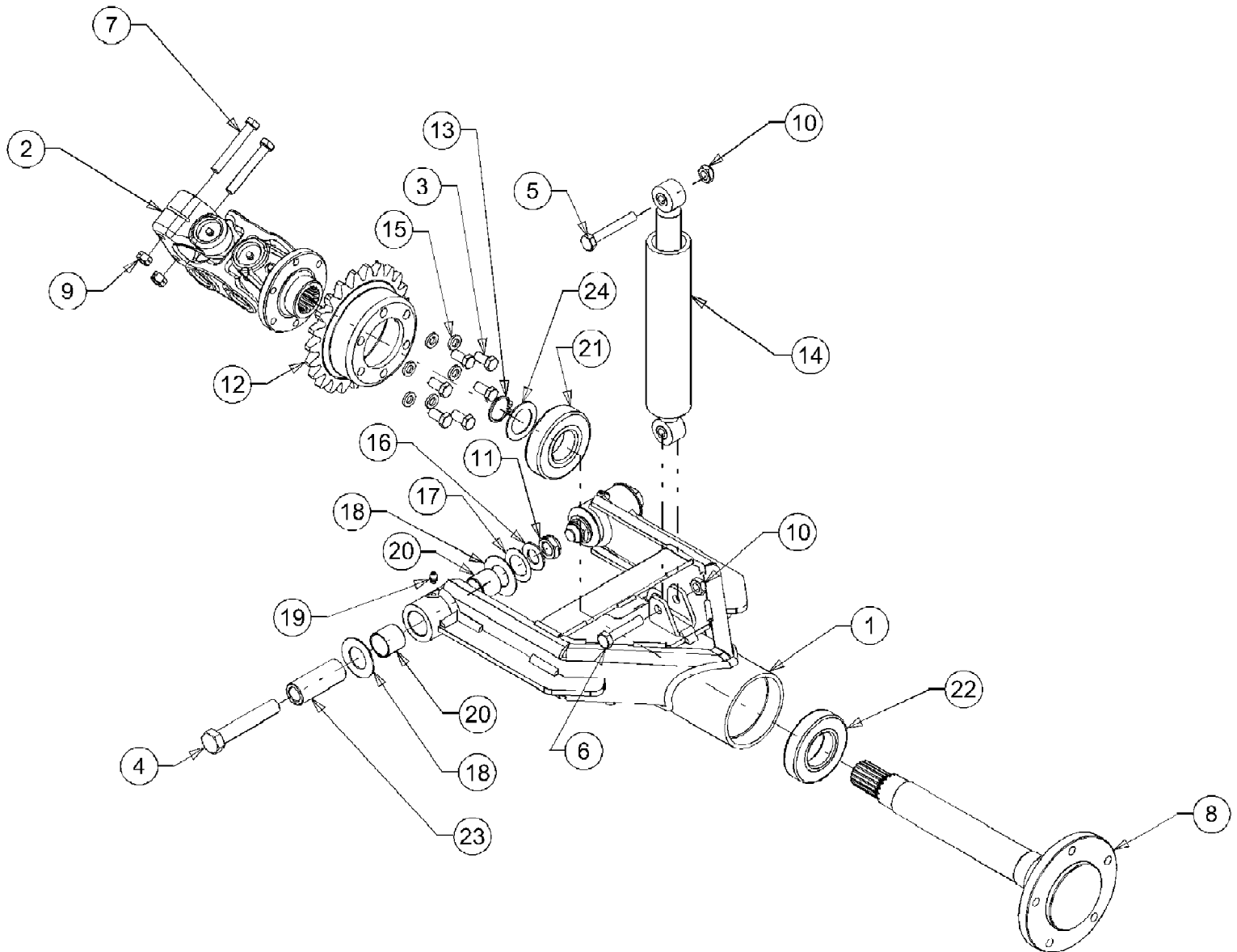


642 6x4 Utility Vehicle (Fire & Rescue) (37AS642E100)
Alternator

Page 2 of 100

Ref #	Part Number	Qty	S/P/F	Description
1	607-04041	1		Pulley Assembly Alternator
2	707-04179	1	S	Bracket, Mount Front
3	707-04189	1	S	Bracket, Support Rear
4	707-04220	1	S	Bracket, Support 4 x 2 Only
5	710-0489	1		Screw, 1/2-13 x 2.00 GR5
6	710-1681	2	/P	Screw, M8- 1.25 - 20
7	710-3001	4	/P	Hex Screw, 3/8-16 x .880, Gr5
8	710-3131	1	/P	Hex Screw, 1/2-13 GR8 4 x 2 Only
9	712-0431	4	S	Nut, Flange Lock, 3/8-16
10	712-3022	2	/P	Nut, Hex Lock, 1/2-13
11	725-04148	1		Harness, Aux, Alternator
12	725-04161	1		Alternator, Aux 65 Amp
13	725-04163	1		Harness, Alternator Regulator
14	736-0242	1	/P	Washer, Bell, .340 x .872 x .060
15	754-0465	1	S	V-Belt 3/8 x 35.68 LG
16	756-04097	1		Pulley, 2.65 OD

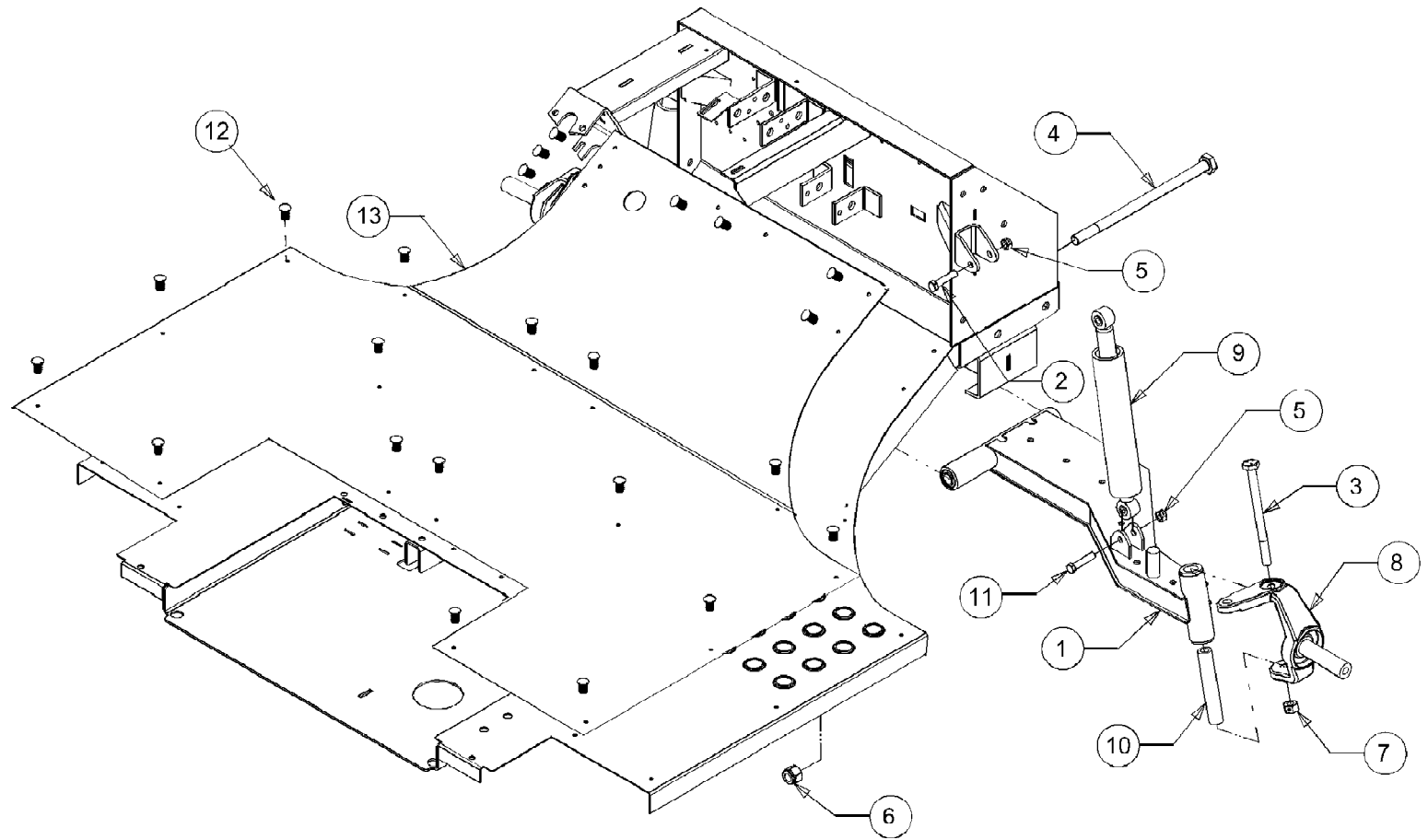
642 6x4 Utility Vehicle (Fire & Rescue) (37AS642E100)
Axle (Center Suspension)



642 6x4 Utility Vehicle (Fire & Rescue) (37AS642E100)
 Axle (Center Suspension)

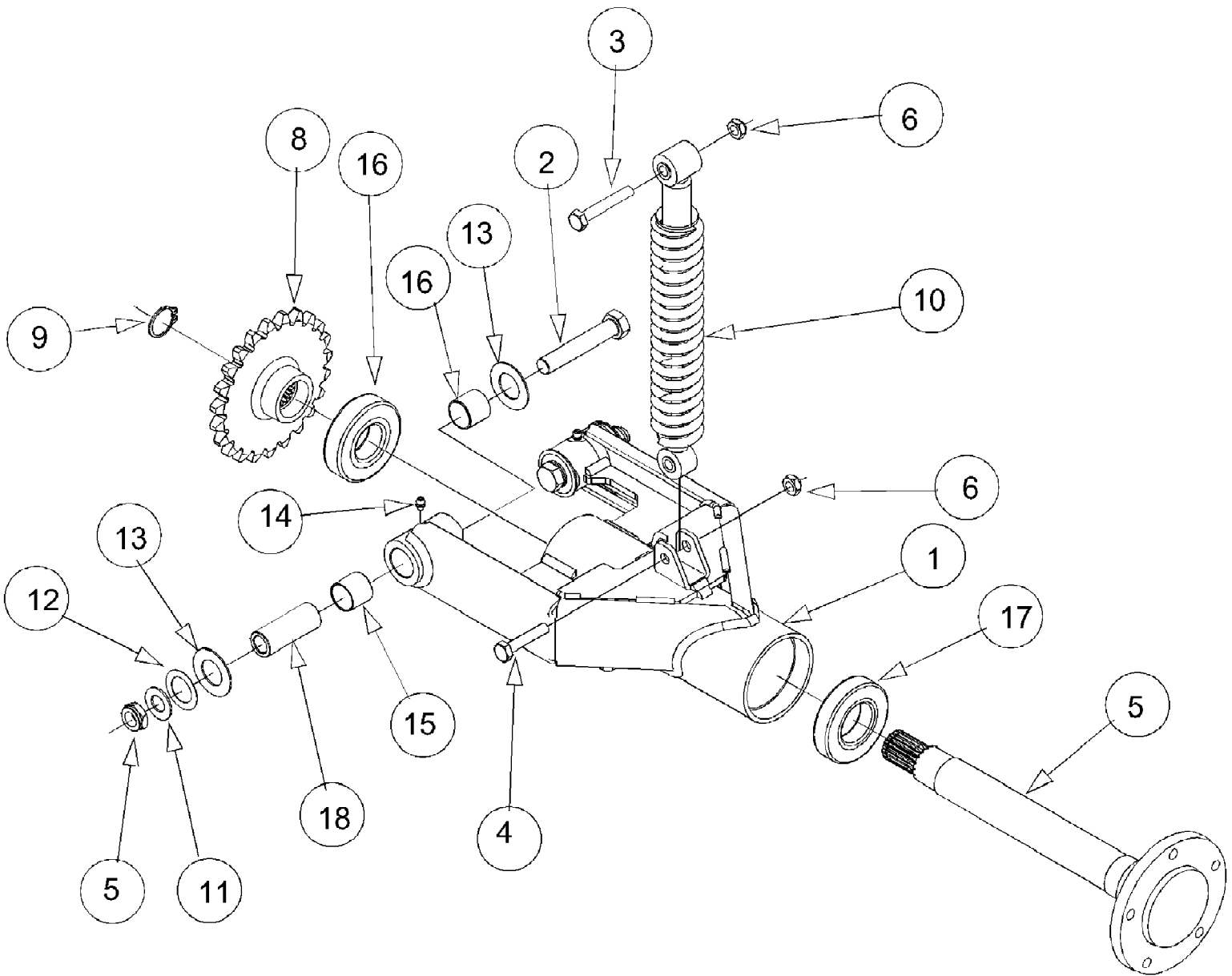
Page 4 of 100

Ref #	Part Number	Qty	S/P/F	Description
1	607-0043A	2	S	Axle Support Assembly, Center Weld
2	623-0026A	2	S	Weld Coupling Assembly
3	710-0216	12	/P	Screw, Hex, 3/8-16 x .75, Gr5
4	710-0298	4		Screw, Hex, 5/8-18 x 3.5, Gr5
5	710-04023	2		Screw, M10-1.25 x .65, Gr8
6	710-04024	2		Screw, M10-1.25 x .50, Gr8
7	710-3229	4		Screw, Hex, 7/16-14 x 2.75, Gr5
8	711-1763	2		Axle Shaft, Drive Center
9	712-0290	4	/P	Nut, Hex Lock, 7/16-14
10	712-04006	4		Nut, Nylon Lock, M10-1.25
11	712-0413	2	S	Nut, Jam Lock, 5/8-18, Gr5
12	713-04005	2	/P	Sprocket, Hub, 1.75 - 23T
13	716-0401	2		Retaining Ring, External, 1.14
14	732-04176	2	S	Shock Absorber, 2.9 Stroke
15	736-0169	12	S	Washer, Lock, 3/8, Regular Duty
16	736-0237	4	/P	Washer, Flat, .65 x 1.25 x .075
17	736-0424	4	S	Washer, Flat, 1.06 x 1.56 x .020
18	736-3046A	8		Washer, Flat, 1.010 x 1.86 x .060
19	737-3000	4	S	Lube Fitting, 3/16
20	741-04030	8	S	Bearing, 1.0 x 1.125 x 1.0
21	741-0759	2		Ball Bearing, Internal Axle
22	741-0760	2		Ball Bearing, External Axle
23	750-04004	4		Spacer, .63 x 1.0 x 2.594
24	750-1389	2		Spacer, 1.78 x 1.88



642 6x4 Utility Vehicle (Fire & Rescue) (37AS642E100)
 Axle (Front Suspension)

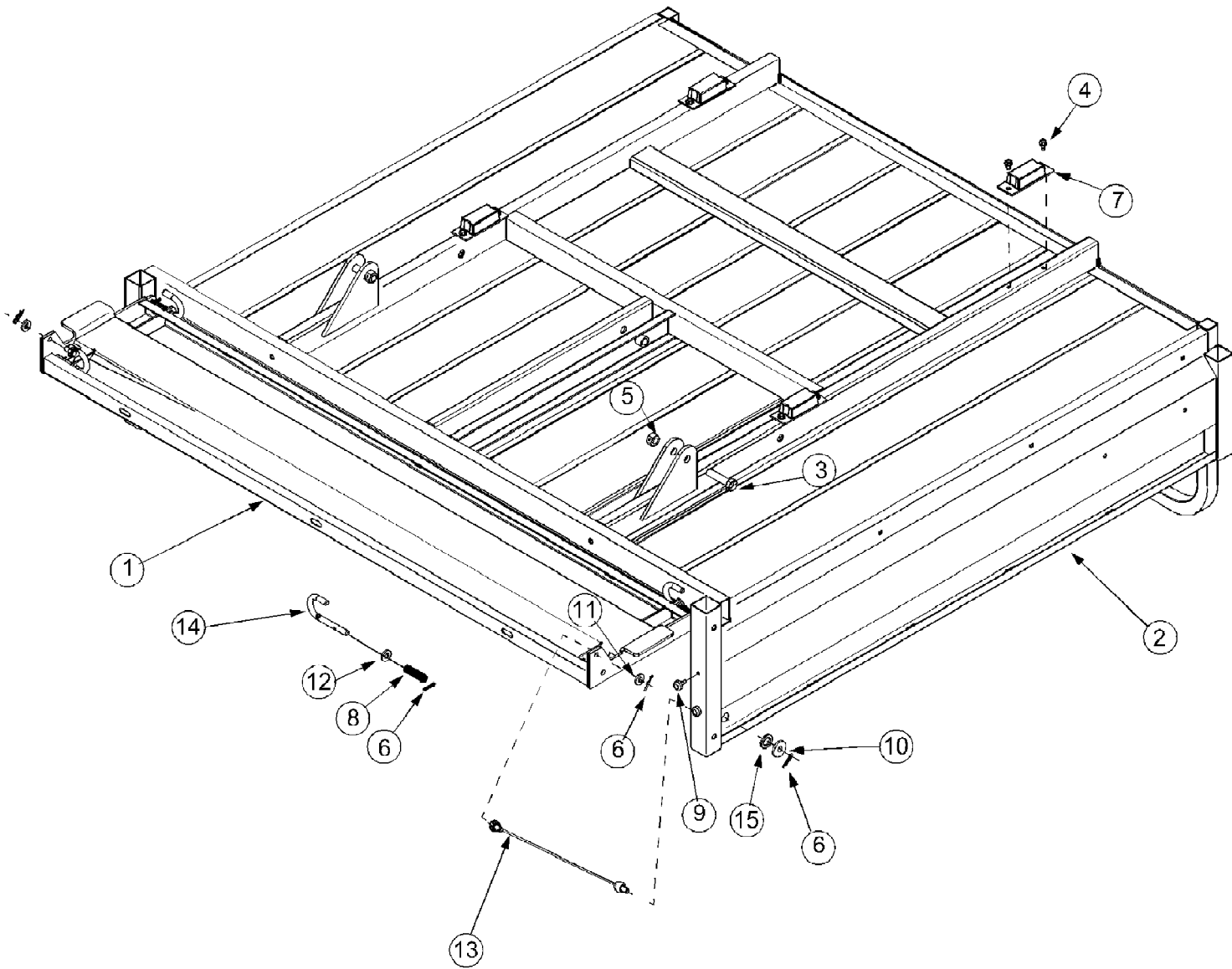
Ref #	Part Number	Qty	S/P/F	Description
1	607-04004	1		Axle Assembly, Right-front
	737-04006	1	/P	Grease Fitting
	741-0758	2		Bearing, .63 ID x 1.19 OD
	741-0762	2		Bushing, Steering
	750-1357	1		Spacer, .645 ID x 1.063 OD
	607-04005	1		Axle Assembly, Left-front
	737-04006	1	/P	Grease Fitting
	741-0758	2		Bearing, .63 ID x 1.19 OD
	741-0762	2		Bushing, Steering
	750-1357	1		Spacer, .645 ID x 1.063 OD
2	710-04023	2		Hex Screw, M10-1.25 x 65mm
3	710-04012	2		Hex Screw, 1/2-13 x 6.50, Gr5
4	710-04120	2		Hex Screw, 5/8-11 x 11.13, Gr5
5	712-04006	4		Nut, Hex Lock, Nylon, M10 -1.25
6	712-3016	2	/P	Nut, Hex Lock, Nylon, 5/8-11, Gr5
7	712-3022	2	/P	Nut, Hex Lock, 1/2-13
8	723-0618	1		Steering Control Knuckle, RH
	723-0619	1		Steering Control Knuckle, LH
9	732-04176	2	S	Shock Absorber, 2.9 Stroke
10	750-1388	2		Tube, .875 x .50 x 4.75
11	710-04024	2		Hex Screw, M10-1.25 x 50mm
12	726-0465	23		Clip, Retainer
13	735-04001	2		Floor Mat



642 6x4 Utility Vehicle (Fire & Rescue) (37AS642E100)
Axle (Rear Suspension)

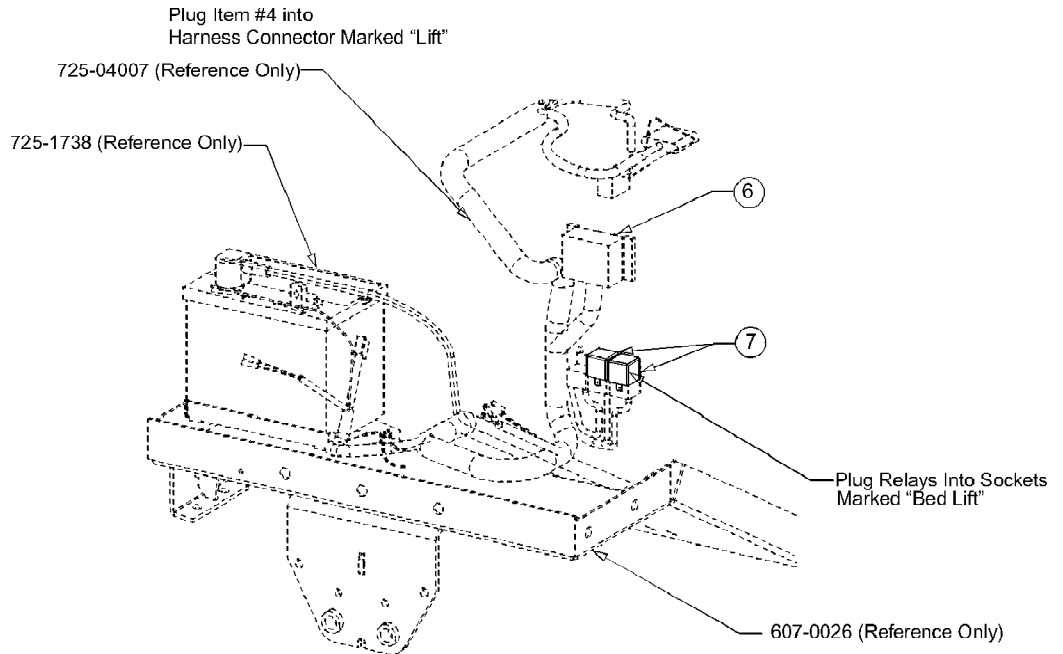
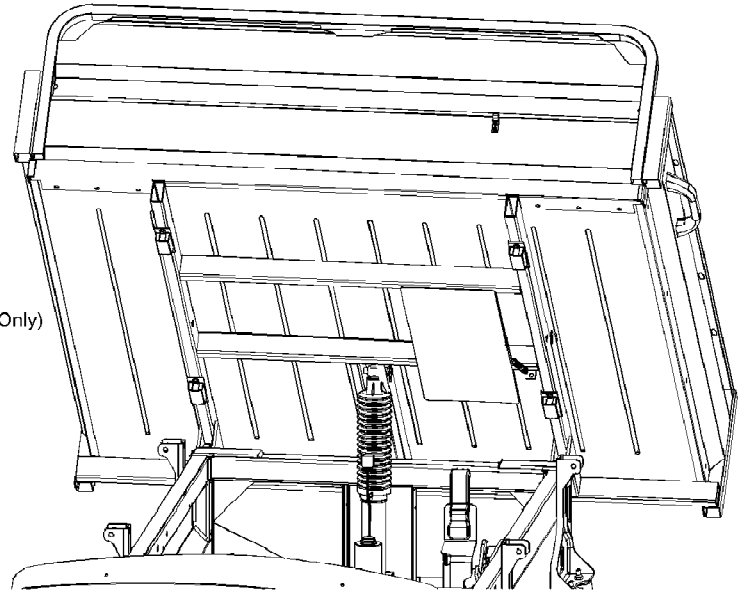
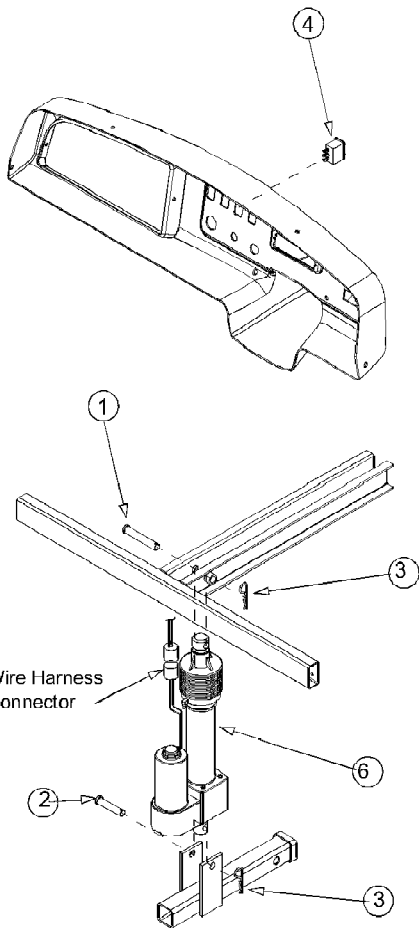
Page 8 of 100

Ref #	Part Number	Qty	S/P/F	Description
1	607-0042A	1	S	Axle Support Assembly, Rear Weld
2	710-0298	2		Screw, Hex, 5/8-18 x 3.5, Gr5
3	710-04023	1		Screw, M10-1.25 x .65, Gr8
4	710-04024	1		Screw, M10-1.25 x .50, Gr8
5	711-1764	1		Axle Shaft, Rear Drive
6	712-04006	2		Nut, Nylon Lock, M10 x 1.25
7	712-0413	2	S	Jam Nut, Nylon Lock, 5/8-18
8	713-04007	1	/P	Sprocket
9	716-0401	2		Retaining Ring, External, 1.14
10	732-04176	2	S	Shock Absorber, 2.9 Stroke
11	736-0237	4	/P	Washer, Flat, .65 x 1.25 x .075
12	736-0424	4	S	Washer, Flat, 1.06 x 1.56 x .020
13	736-3046A	8		Washer, Flat, 1.010 x 1.86 x .060
14	737-3000	4	S	Lube Fitting, 3/16
15	741-04030	8	S	Bearing, 1.0 x 1.125 x 1.0
16	741-0759	2		Ball Bearing, Internal Axle
17	741-0760	2		Ball Bearing, External Axle
18	750-04004	4		Spacer, .63 x 1.0 x 2.594



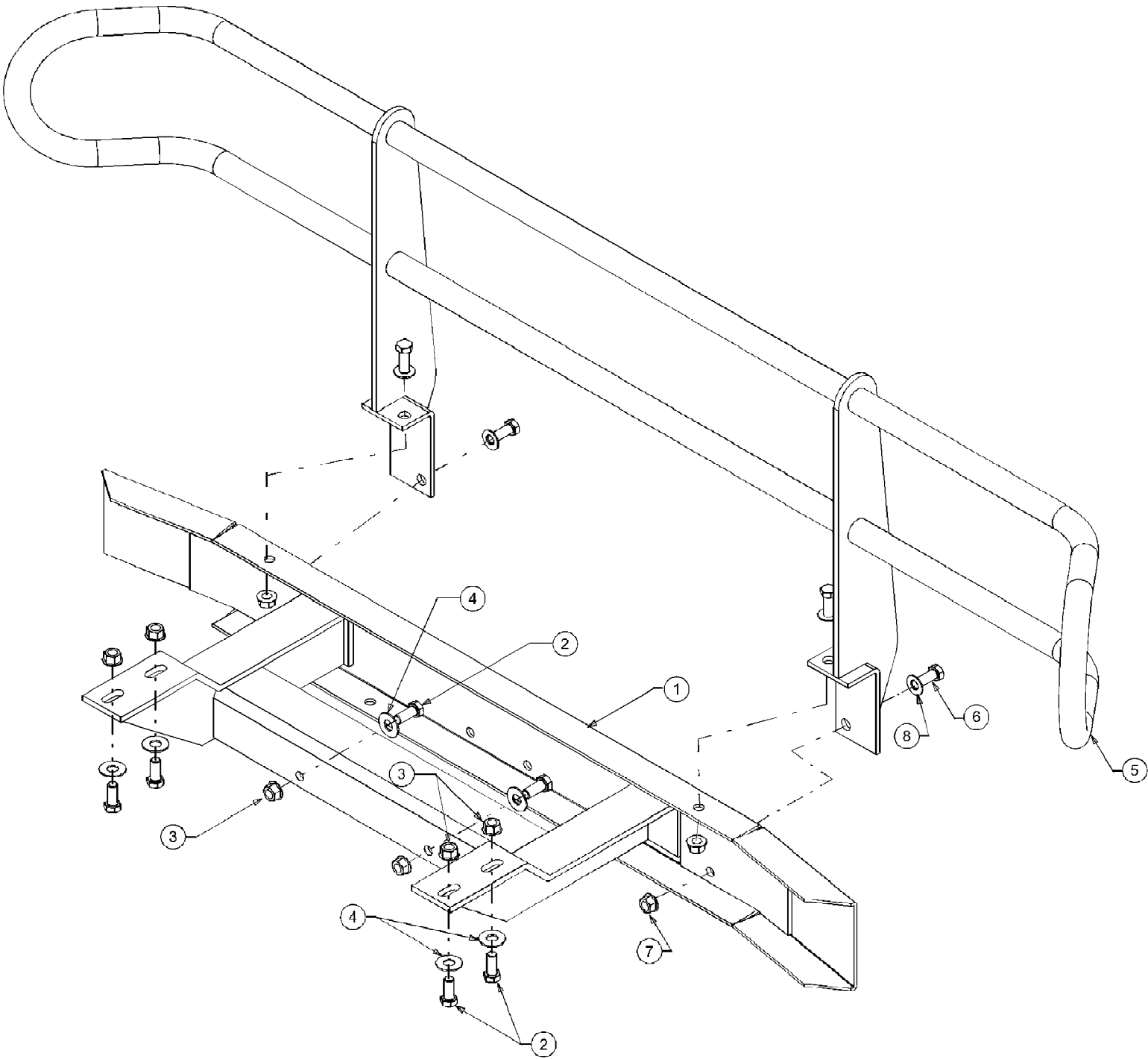
NOTE: Bed shown inverted for clarity.

Ref #	Part Number	Qty	S/P/F	Description
1	607-04028	1	S	Tailgate Assembly
2	607-04035	1	S	Bed Assembly, Utility
3	710-0489	2		Screw, Hex, 1/5-13 x 2.0, Gr5
4	710-0599	8	/P	Screw, Self-tapping, 1/4-20 x 0.500
5	712-3022	2	/P	Nut, Hex Lock, 1/2-13
6	714-0104	8	S	Cotter Pin,.072 Dia x 1.13LG
7	731-04016	4		Bumper, Extension Suspension
8	732-0306	4	S	Compression Spring,.406 x.531 x 1.75 LG
9	735-0271	4	S	Bumper,.62Dia x.3
10	736-0162	2	/P	Washer, Flat,.64 ID x 1.0 x.12
11	736-3008	2	S	Washer, Flat,.344 x.750 x.120
12	736-3010	4	/P	Washer, Flat,.407 x.812 x.135 HDN
13	746-0968	2		Cable, Lift 16.16 LG
14	747-1116	4	/P	Handle, Deck Release
15	748-0331	2	S	Spacer, Shoulder.625 Dia x.324 Dia



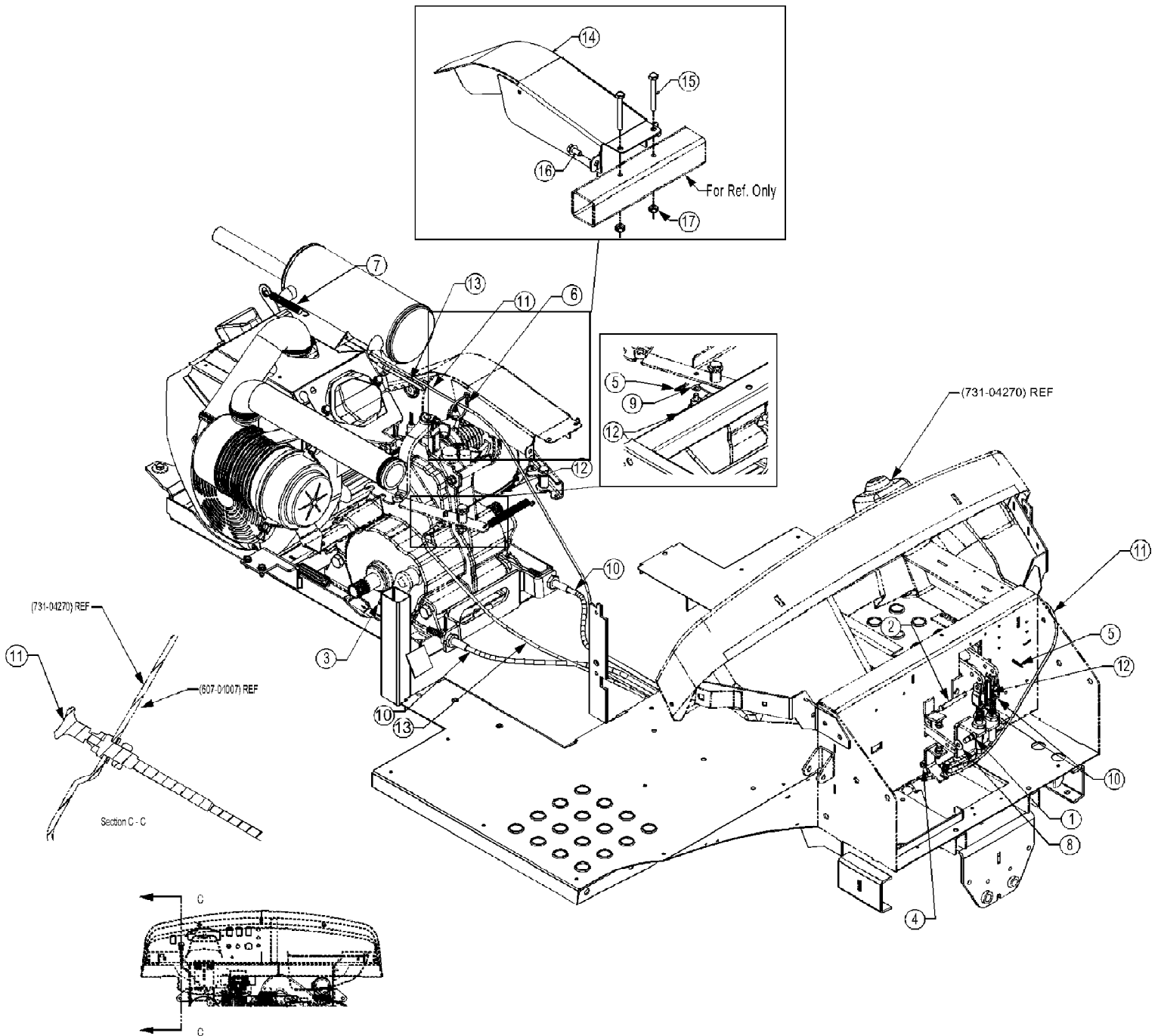
642 6x4 Utility Vehicle (Fire & Rescue) (37AS642E100)
Bed Lift

Ref #	Part Number	Qty	S/P/F	Description
1	711-04006	1		Clevis Pin 3.0"
2	711-04007	1		Clevis Pin 2.25"
3	714-04003	2	/P	Internal Cotter Pin
4	725-04012	1		Cargo Box Switch
5	725-04020	1	S	Actuator, Electric Bed Lift
6	725-1543	1	/P	Fuse 30 Amp
7	725-1718	2	S	Relay 12V 40A (2)



642 6x4 Utility Vehicle (Fire & Rescue) (37AS642E100)
Bumper & Brush Guard

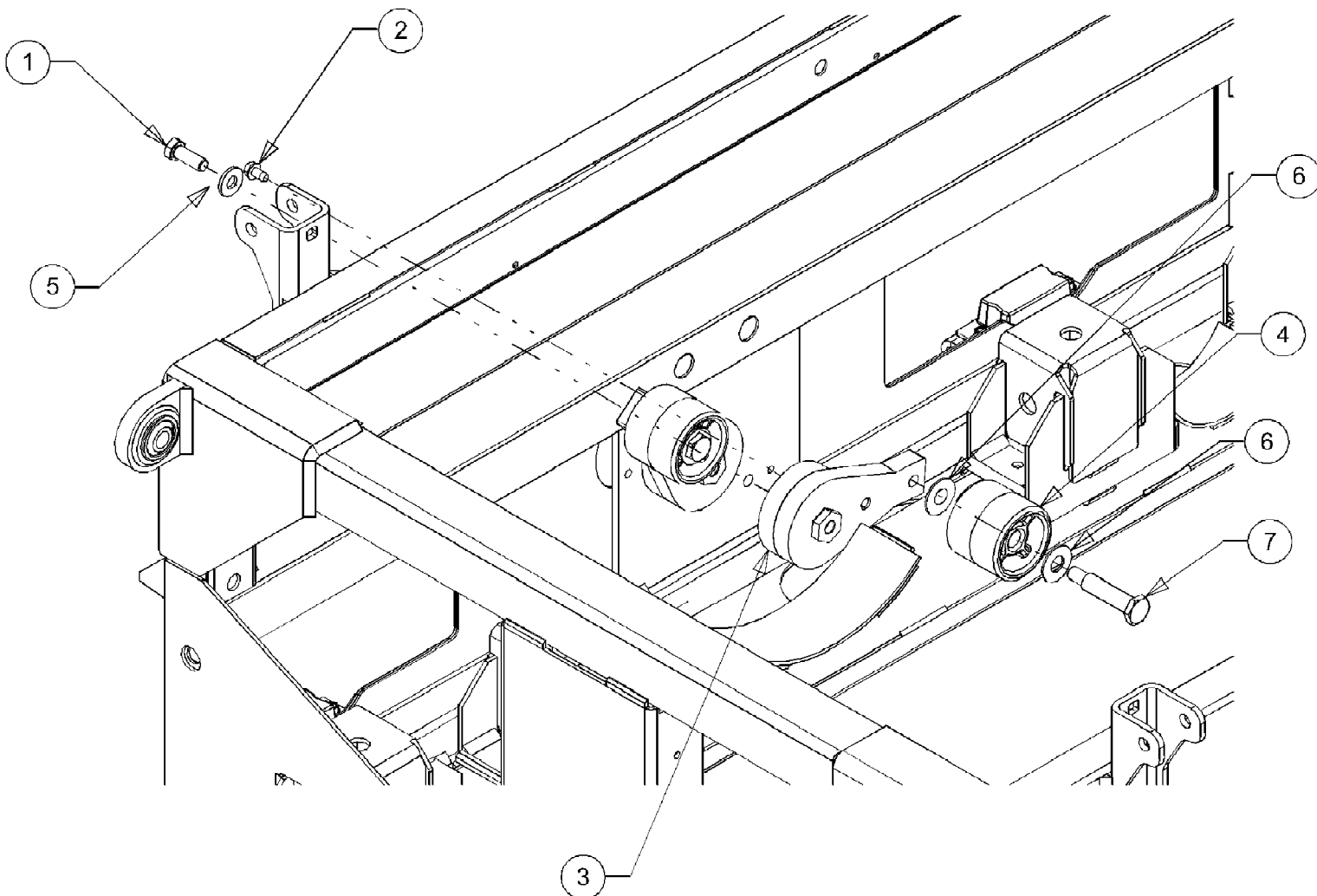
Ref #	Part Number	Qty	S/P/F	Description
1	607-0037	1	S	Front Bumper Assembly
2	710-3001	6	/P	Screw, Hex, 3/8-16 x .88
3	712-0431	6	S	Nut, Flange Lock, 3/8-16
4	736-04006	6		Washer, Flat, .444 x 1.0 x .057
5	607-04010	1		Guard, Brush
6	710-0514	4	/P	Screw, Hex 3/8-16 x 1.00 GR 5
7	712-0431	4	S	Nut, Flangelock 3/8-16
8	736-3050	4	/P	Flat Washer,.406 ID x 810 OD x.051



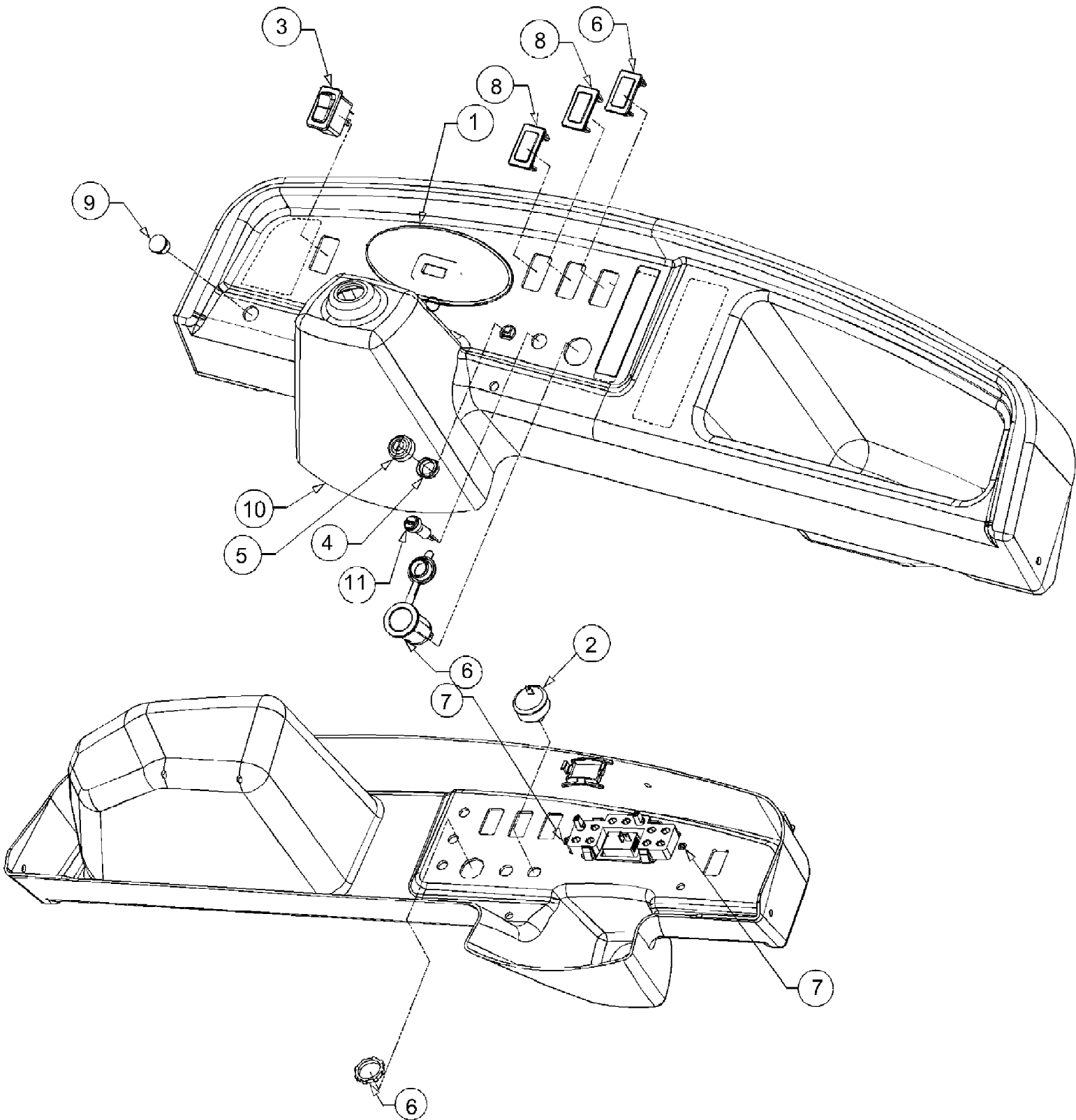
642 6x4 Utility Vehicle (Fire & Rescue) (37AS642E100)
Cables

Page 16 of 100

Ref #	Part Number	Qty	S/P/F	Description
1	710-04027	1		Screw, Shoulder, .375 x .375
2	711-0813	1	S	Pin, Clevis, 5/16 x 2.5
3	712-3025	6		Nut, Jam 5/16-18
4	712-3009	1	S	Nut, Hex Lock, 5/16-18
5	714-0104	2	S	Pin, Cotter, .072 x 1.13
6	726-0470	1		Tie, Cable 19 x 8.39 Tree Mount
7	732-0470A	1	S	Extension Spring,.530 OD x 4.75 LG
8	736-0159	1	S	Washer, .349 x .879 x .063
9	736-0271	1	S	Washer, Spring.317 ID x.625 OD
10	746-04000	2	S	Cable, Control Brake
11	746-04002	1	S	Cable, Control, Choke
12	746-04006	1		Cable, Control Brake Clutch
13	746-04042	1	S	Cable, Control, Throttle
14	707-04006	1		Guard, Belt
15	710-0378	2	/P	Screw, Hex 5/16-18 x 2.5
16	710-0759	2		Screw, Flange 5/16-18 x.625
17	712-3009	2	S	Nut, Hexlock 5/16-18



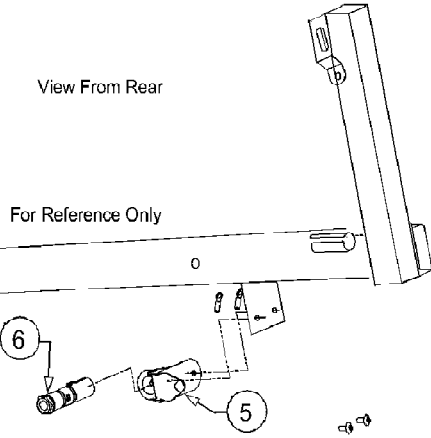
Ref #	Part Number	Qty	S/P/F	Description
1	738-0509	1		Shoulder Screw, .50 x 1.825
2	736-3084	2	/P	Washer, Flat, .510 x 1.12 x .060
3	736-0262	1	/P	Washer, Flat, .385 x .870 x .092
4	731-04078	1	S	Roller, Chain
5	718-04033	1		Adjuster, Rotary
6	710-0599	1	/P	Screw, Self-tapping, 1/4-20 x .5
7	710-0514	1	/P	Hex Screw, 3/8-16 x 1.0



Ref #	Part Number	Qty	S/P/F	Description
1	625-04009	1	S	Instrument Panel
2	725-04000	1	S	Switch, Key
3	725-04006	1		Rocker Switch, Headlight
4	725-1346	1	S	Ignition Switch Nut, 5/8-32
5	725-1347	1	/P	Ignition Switch Cap
6	725-2003	1		Receptacle, Power, 12v
7	726-0293	2		Nut, Retainer 1/8
8	731-04010	3		Switch
9	731-04023	1		Plug
10	731-04270	1	S	Dash Panel
11	725-04014	1		Switch, Horn
	725-04015	1	S	Horn, Assembly 12V (Shown on "Steering (Upper)")

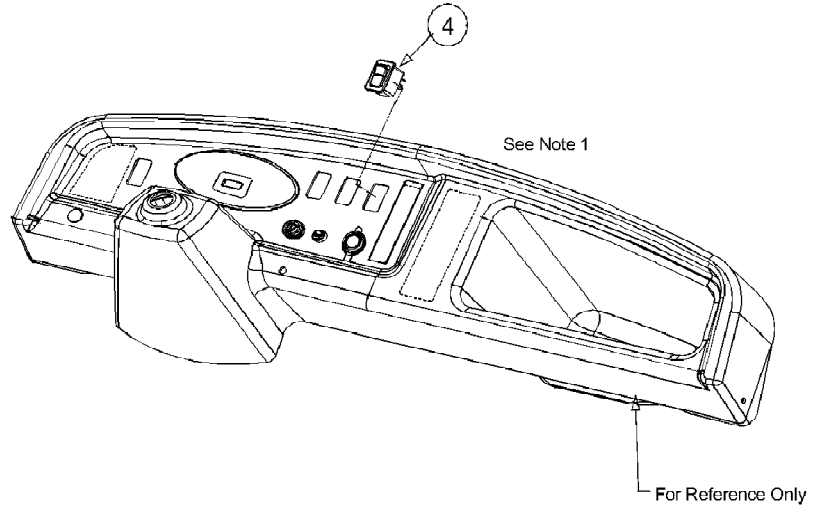
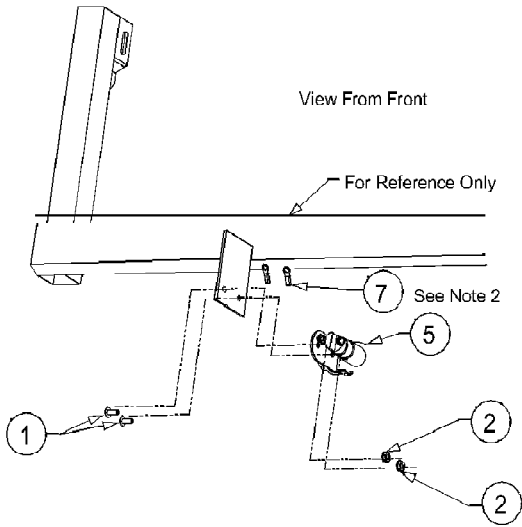
642 6x4 Utility Vehicle (Fire & Rescue) (37AS642E100)
Electrical Outlet Rear

View From Rear



Fuse To Be Inserted Into Existing Fuse Block
(Not Shown). Plug Into Second Slot From The Left
In The Lower Row Of Fuse Block

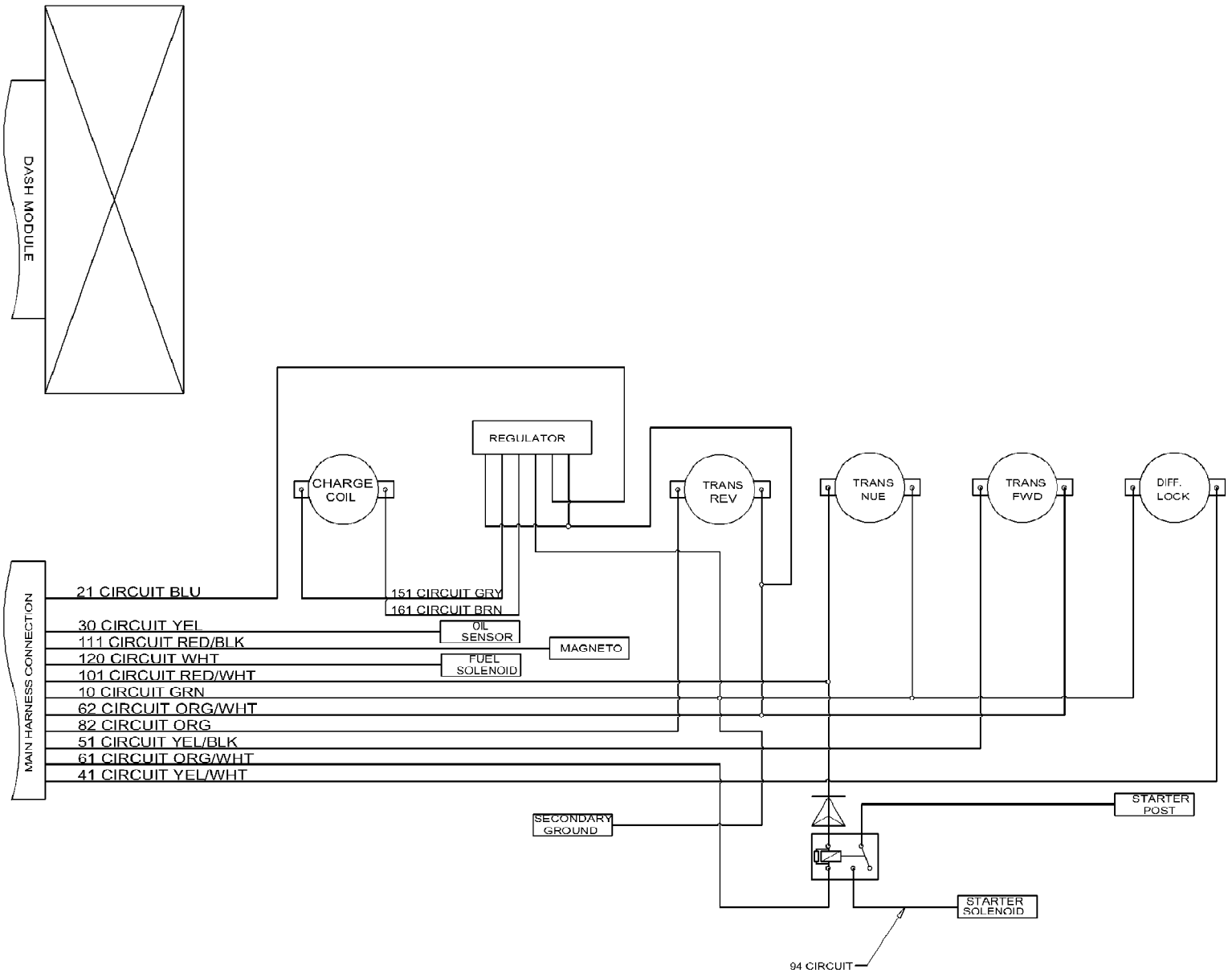
View From Front

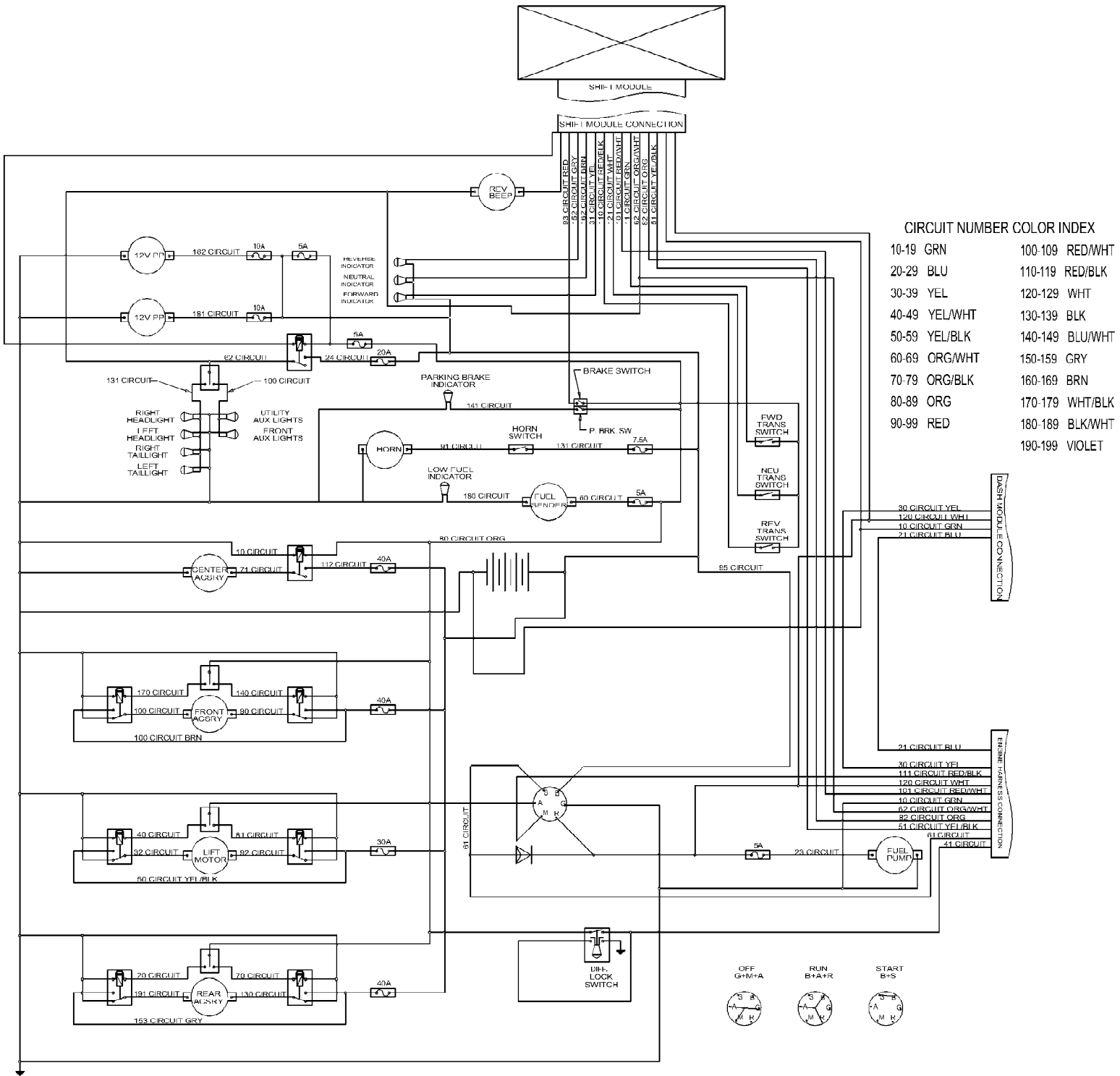


1. The switch will plug into a connector that already exists on the vehicle wire harness.
2. Use Ring terminals provided when main wire harness is not already equipped with ring terminals.

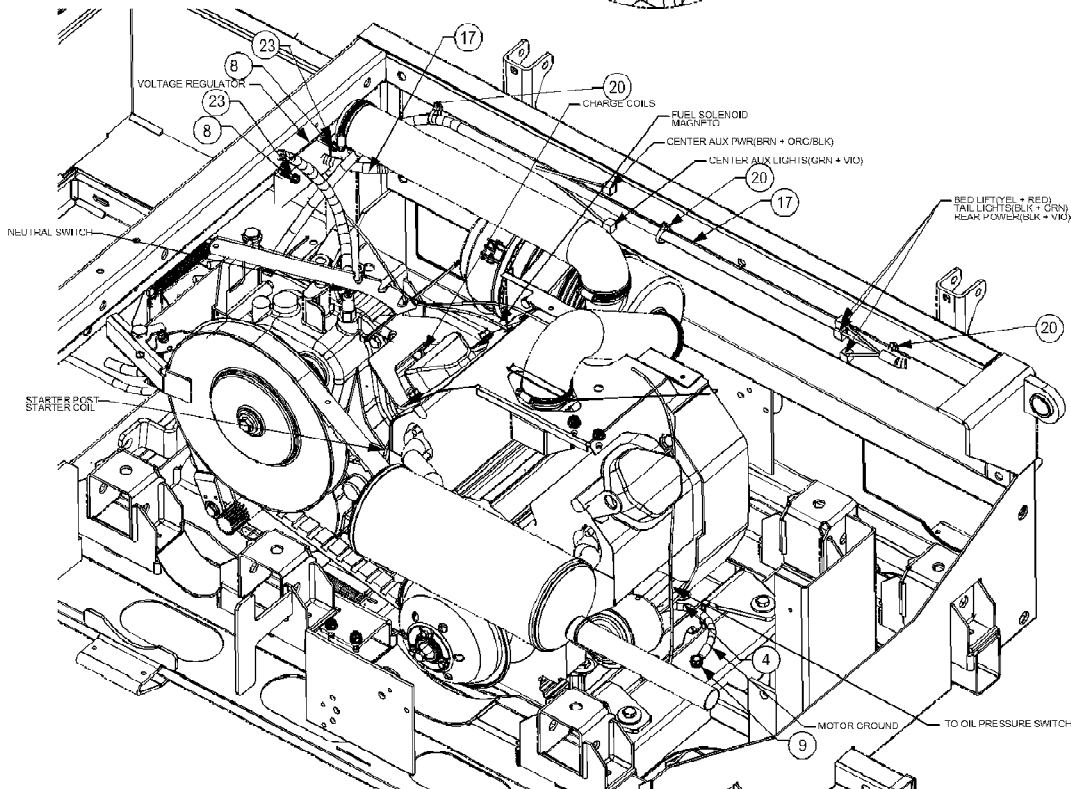
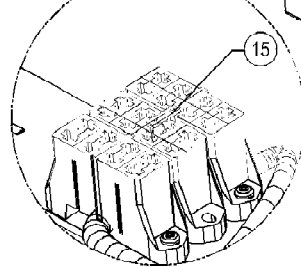
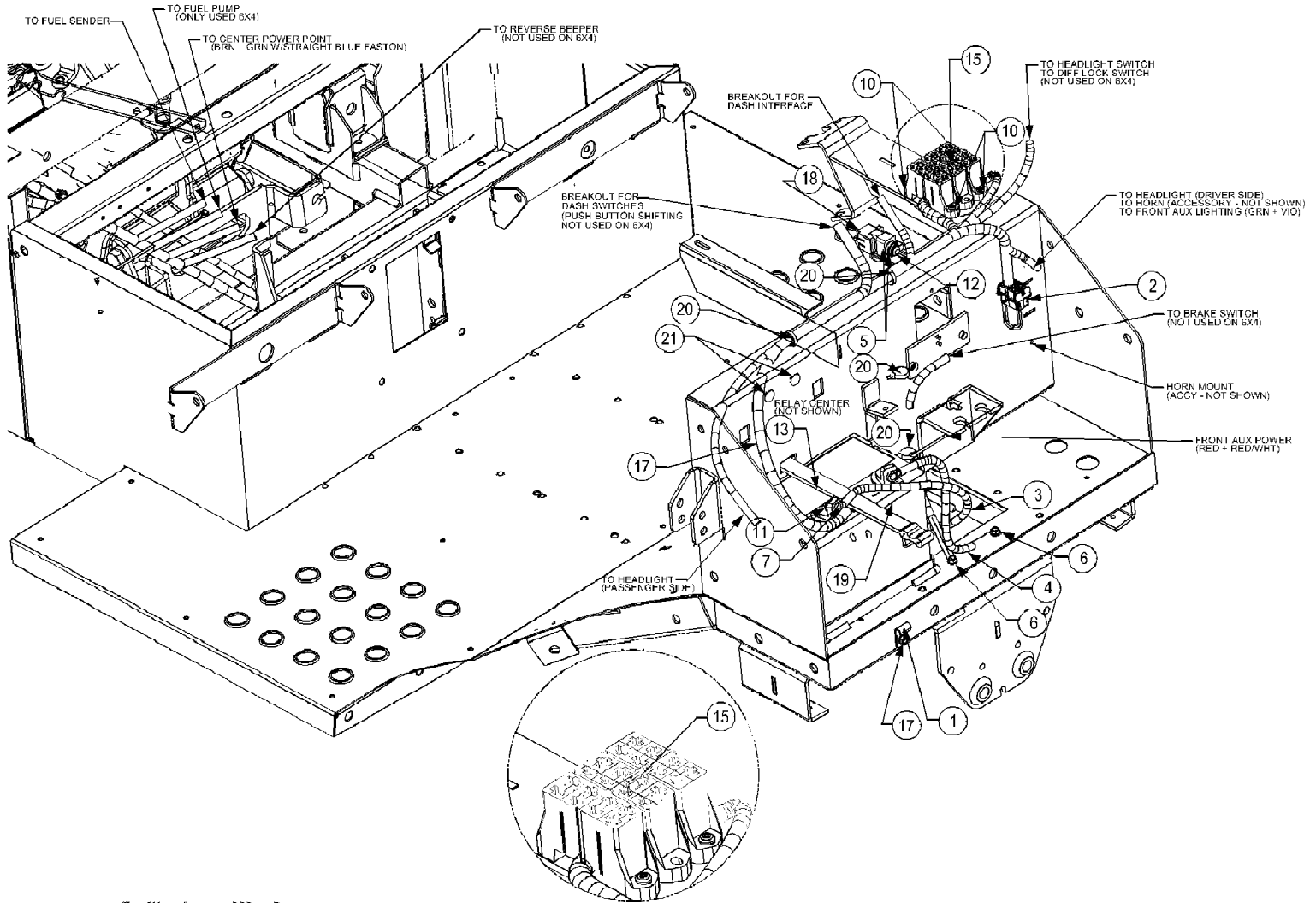
642 6x4 Utility Vehicle (Fire & Rescue) (37AS642E100)
Electrical Outlet Rear

Ref #	Part Number	Qty	S/P/F	Description
1	710-0473	2	/P	Screw, Machine #10-24 x .50
2	712-0272	2	/P	Nut, Hex #10-24
3	725-04009	1		Fuse, 15 AMP
4	725-04016	1		Switch, Power Receptacle
5	725-04017	1		Receptacle, Power 12V/15A
6	725-04018	1		Receptacle, Plug
7	725-04085	2		Terminal, #10 Ring





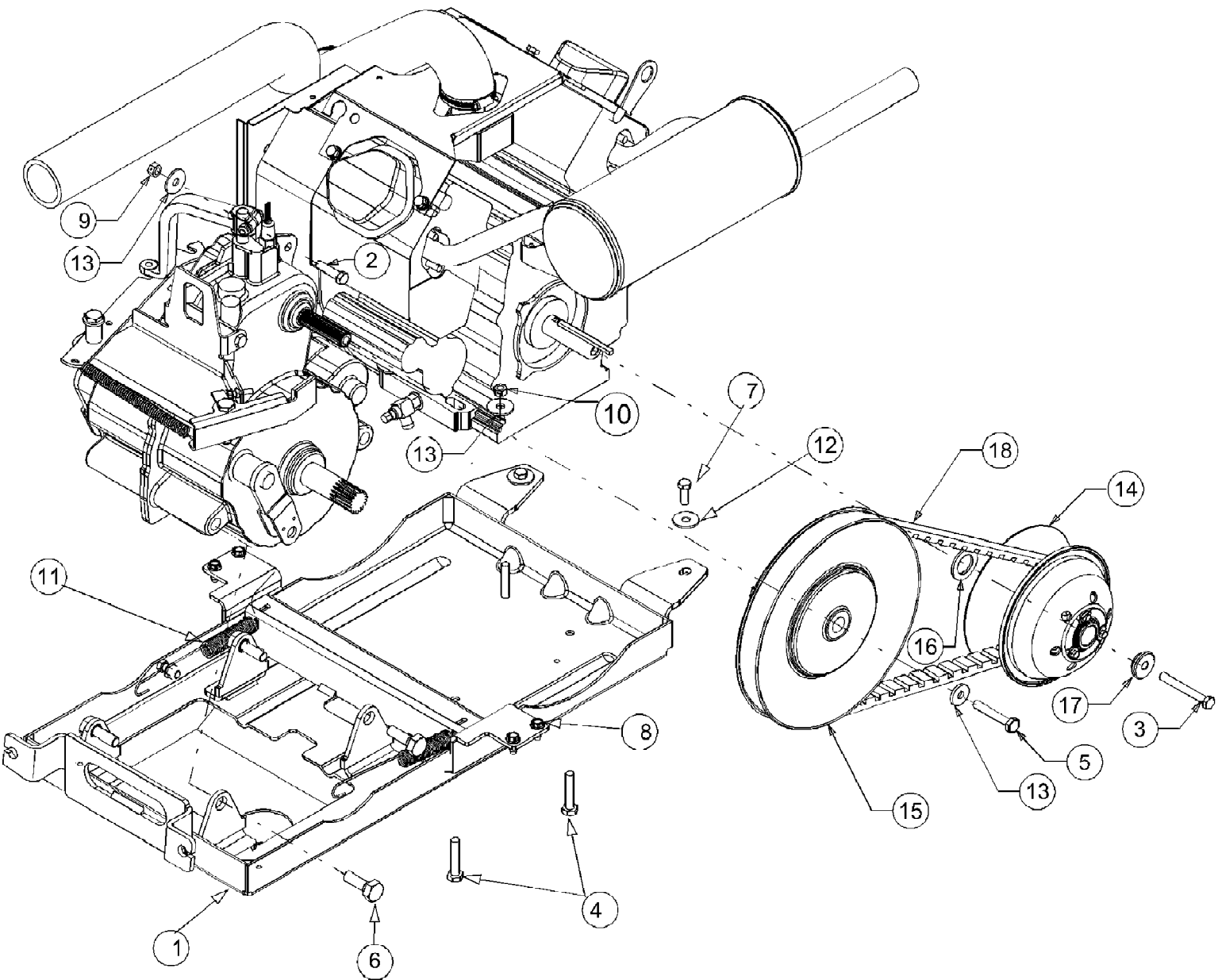
642 6x4 Utility Vehicle (Fire & Rescue) (37AS642E100)
Electrical System



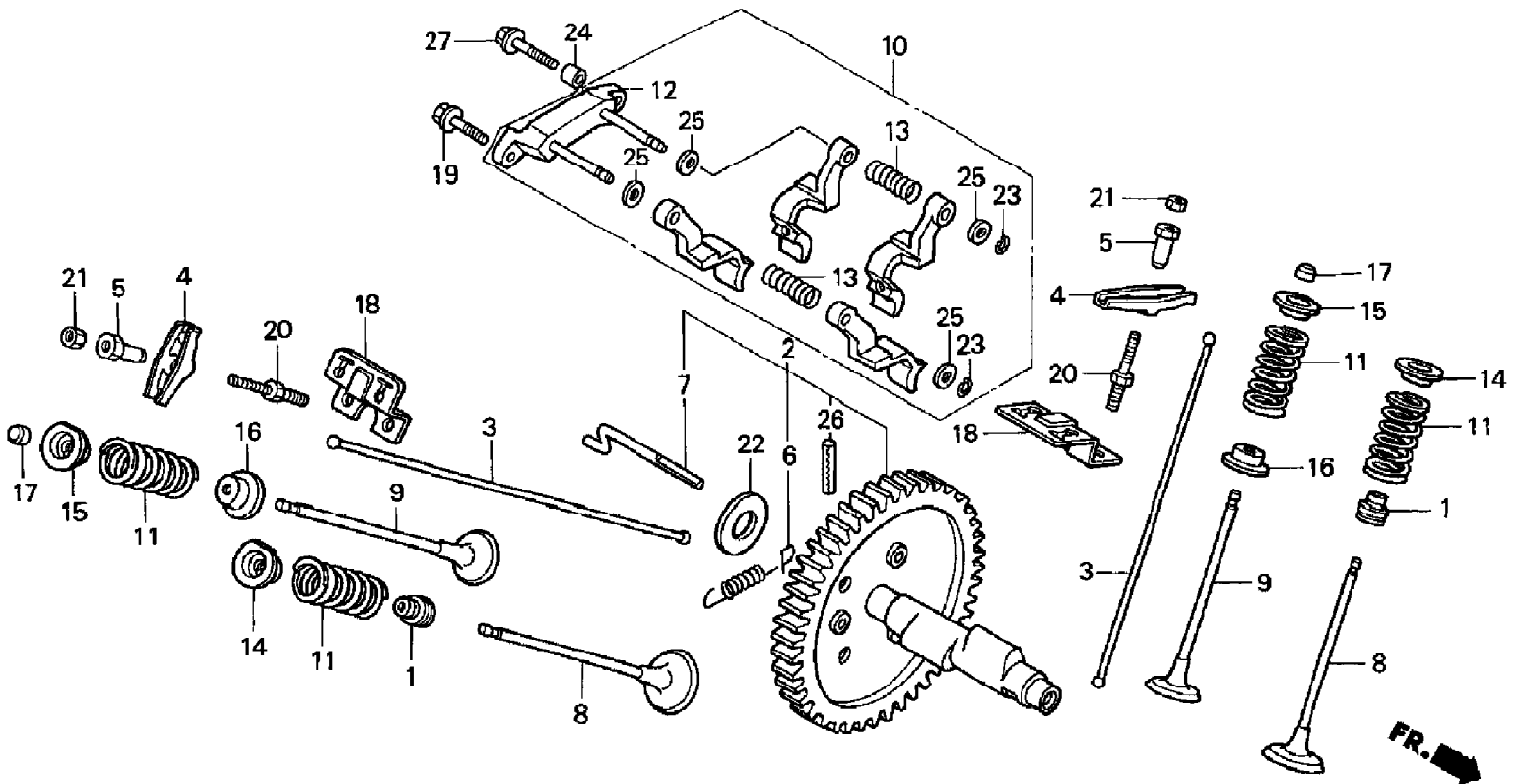
642 6x4 Utility Vehicle (Fire & Rescue) (37AS642E100)
Electrical System

Page 26 of 100

Ref #	Part Number	Qty	S/P/F	Description
1	16606	1	S	Bracket, Retainer Hook
2	629-04008	1		Connection Assembly
3	629-04001	1	S	Harness Assembly, Utility Starter
4	629-04060	2		Harness Assembly, Ground
5	710-04030	2		Screw, Self-tapping 1/4-20
6	710-0599	3	/P	Screw, Self-tapping, 1/4-20 x 0.500
7	710-0703	2	/P	Screw, Hex Carriage, 1/4-20 x .75
8	710-0788	2	/P	Screw, Self-tapping, 1/4-20 x 1.000
9	710-1260A	1	/P	Screw, 5/16-18 x.75
10	710-3009	4	/P	Screw, #10-24 x 0.75
11	712-0271	2	/P	Nut, Hex Sems, 1/4-20
12	721-3049	1	/P	Cover, Protection
13	723-3064	1		Strap, Battery
14	725-0157	2	/P	Cable, Tie 3/16 x.05 x 7.4
15	725-04008	1		Fuse, 5 Amp
16	725-04065	1	S	Harness, Utility Wire
17	725-04067	1	S	Harness, Motor Wire
18	725-1657A	1	S	Switch, Interlock
19	725-1738	1	S	Battery, 300 CCA
20	726-0470	7		Cable Tie, 19" x 8.39"
21	726-3046	2	/P	Clip, Ratchet.250 Dia.
22	726-3008	1	/P	Heat Shield Cable Clip
23	736-0329	2	S	Lock Washer, 1/4



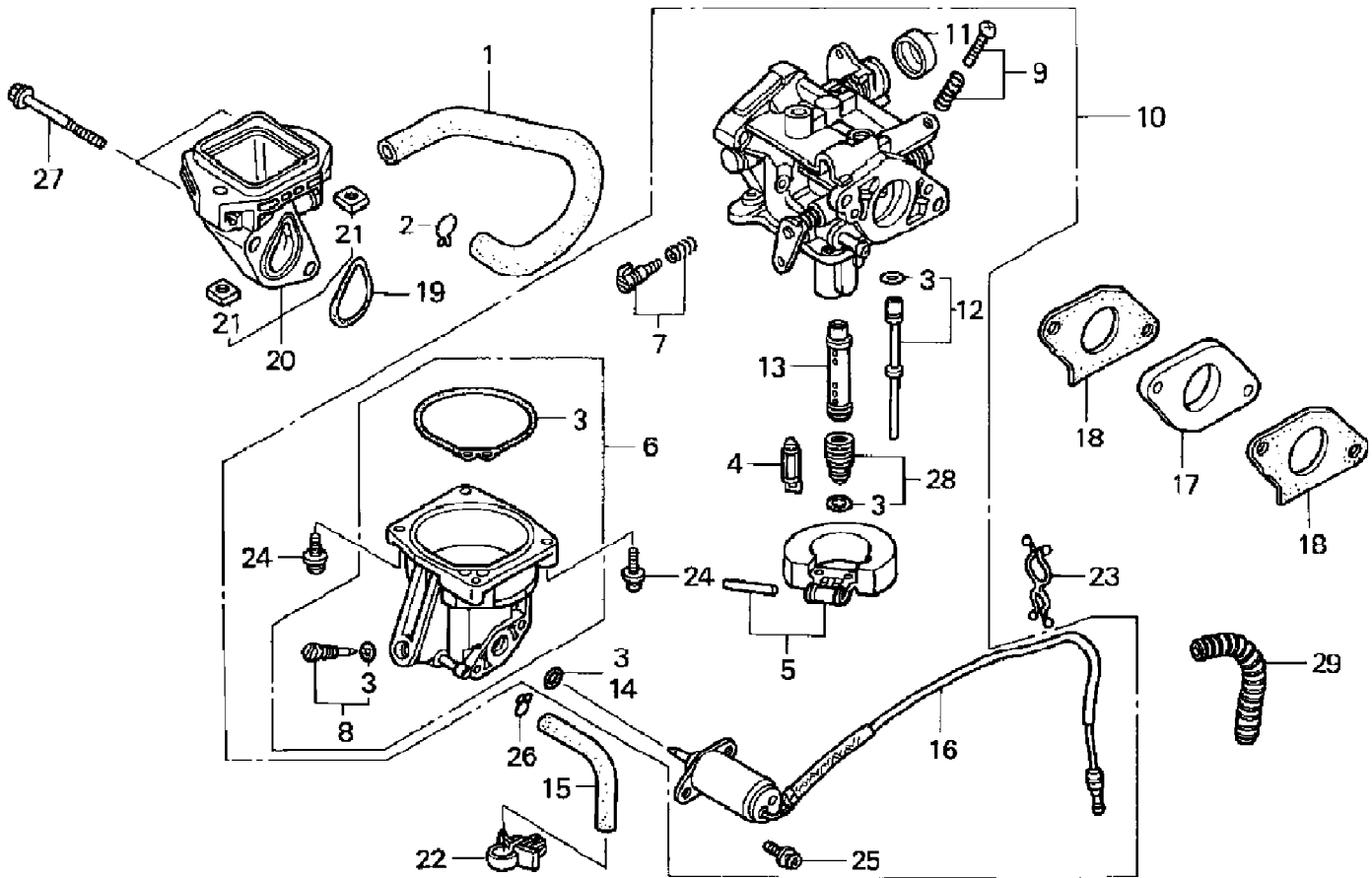
Ref #	Part Number	Qty	S/P/F	Description
1	607-0029A	1		Frame Assembly, Engine/Trans. Support
2	710-0344	1	/P	Hex Screw, 3/8-16 x 1.5, Gr5
3	710-04019	1		Hex Screw, 3/8-24 x 3, Gr5
4	710-04024	4		Hex Screw, M10-1.25 x .50, Gr8
5	710-04025	1		Hex Screw, M10-1.5 x 60mm, Gr8
6	710-04028	4	/P	Hex Screw, M16-2 x 40mm
7	710-0514	4	/P	Hex Screw, 3/8-16 x 2.25, Gr5
8	710-1260a	4	/P	Hex Screw, 5/16-18 x.75
9	712-0375	5	/P	Nut, Hex Lock, 3/8-16
10	712-04006	4		Nut, Nylon Lock, M10-1.25
11	732-1186	2		Spring, Extension, .795 x 5.42
12	736-0133	9	S	Washer, Flat, .411 x 1.25 x .10
13	736-04005	1		Washer, Flat, .395 x 1.12 x .14
14	618-0686A	1	S	Clutch Assembly, Engine
15	618-0687	1		Clutch Assembly, Transmission
16	736-04009	1		Washer, 1.03 x 1.625 x .12
17	738-04002	1		Spacer, Drive, .39 ID x 1.00 OD
18	754-0646	1	S	V-type Belt, Cogged, 1.19



642 6x4 Utility Vehicle (Fire & Rescue) (37AS642E100)
Engine - Camshaft

Page 30 of 100

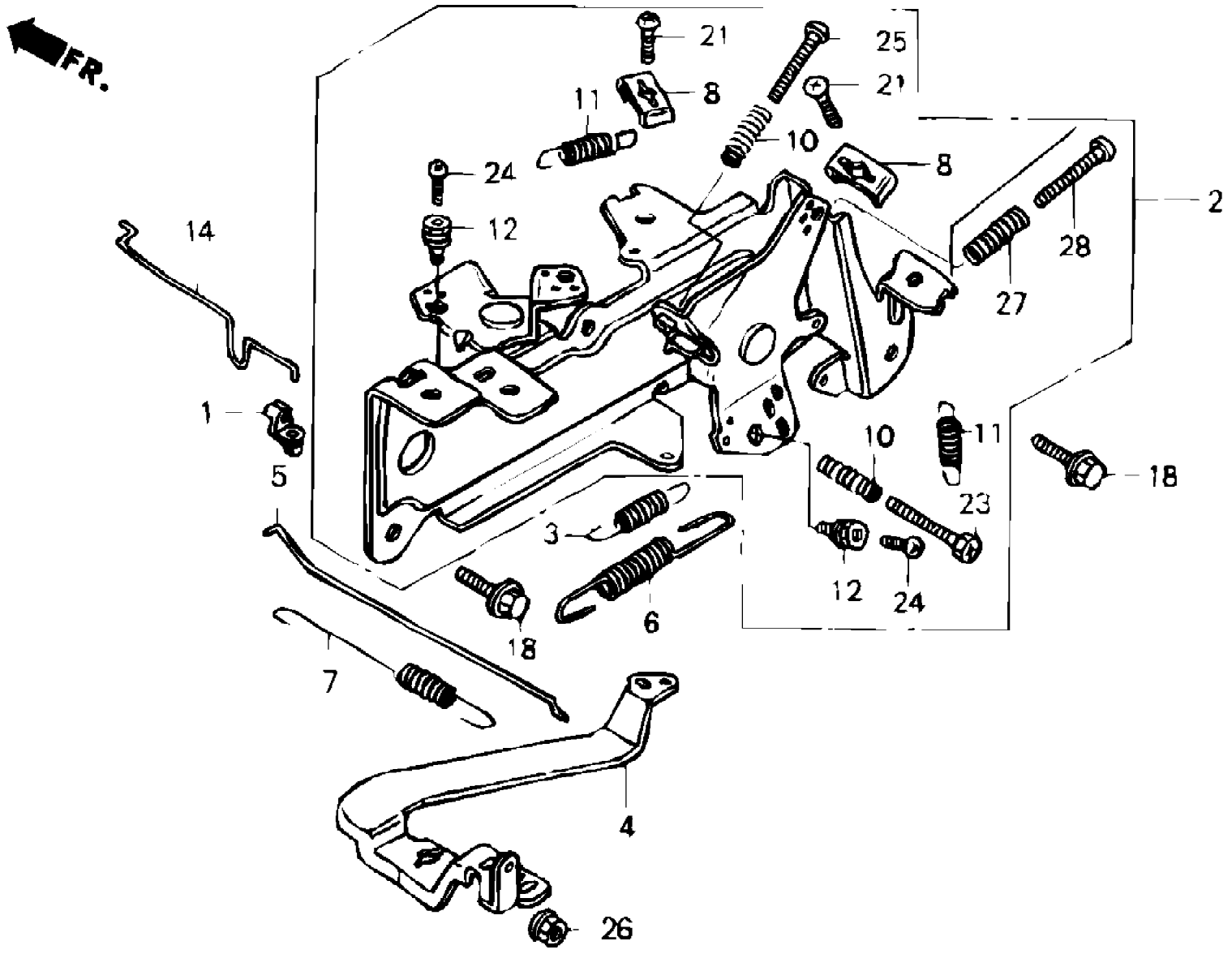
Ref #	Part Number	Qty	S/P/F	Description
1	12209-ZE8-003	2		Seal, Valve Stem
2	14100-ZJ1-842	1		Camshaft Assembly
3	14410-ZJ1-840	4		Rod, Push
4	14431-ZE2-010	4		Arm, Valve Rocker
5	14451-ZE1-013	4		Pivot, Rocker Arm
6	14568-ZJ1-841	1		Spring, Weight Return
7	14576-ZJ1-840	1		Pin, Decompression
8	14711-ZE3-000	2		Valve, In
9	14721-ZE3-000	2		Valve, Ex
10	14730-ZJ1-840	1		Lifter Ass'y., Valve
11	14751-ZE2-003	4		Spring, Valve
12	14760-ZJ1-840	1		Shaft, Valve Lifter
13	14764-ZJ1-840	2		Spring, Valve Lifter
14	14771-ZE2-000	2		Retainer, In. Valve Spring
15	14773-ZE2-000	2		Retainer, Ex. Valve Spring
16	14775-ZE2-010	2		Seat, Valve Spring
17	14781-ZE2-000	2		Rotator, Valve
18	14791-ZE2-010	2		Plate, Push Rod Guide
19	90005-896-000	1		Bolt, Flange (5x16)
20	90012-ZE0-010	4		Bolt, Pivot (8mm)
21	90206-ZE1-000	4		Nut, Pivot Adj
22	90446-357-000	1		Washer, Thrust (17.2mm)
23	90602-ZE1-000	2		Clip, Governor Holder
24	94301-08120	1		Pin A, Dowel (8x12)
25	94101-06800	4		Washer, Plain (6mm)
26	94305-60282	1		Pin, Spring (6x28)
27	95701-06025-00	1		Bolt, Flange (6x25)



642 6x4 Utility Vehicle (Fire & Rescue) (37AS642E100)
Engine - Carburetor

Page 32 of 100

Ref #	Part Number	Qty	S/P/F	Description
1	12357-ZJ1-840	1		Tube, Breather
2	15772-551-000	1		Clip, Breather Tube
3	16010-ZG8-000	1		Gasket Set
4	16011-KCK-910	1		Valve Set, Float
5	16013-ZV4-005	1		Float Set
6	16015-ZJ1-841	1		Chamber Set, Float
7	16016-ZJ1-010	1		Screw Set
8	16024-124-760	1		Screw Set, Drain
9	16028-ZG8-000	1		Screw Set
10	16100-ZJ1-841	1	S	Carburetor Assembly. (Bg22g A)
11	16148-141-881	1		Cap, Choke Lever Dust
12	16150-ZJ1-841	1		Jet Set (#52)
13	16166-ZJ0-000	1		Nozzle, Main
14	16178-548-004	1		O-ring (5.8x1.9)
15	16198-ZJ1-840	1		Tube, Drain
16	16200-ZJ1-841	1	S	Valve Assembly., Solenoid
17	16211-ZJ0-830	1		Insulator, Carburetor
18	16221-ZJ1-840	2		Gasket, Carburetor
19	17228-ZG8-003	1		Gasket, Air Cleaner
20	17410-ZJ1-840	1		Elbow, Air Cleaner
21	90314-ZJ1-840	2		Nut, Insert (6mm)
22	90682-959-661	1		Clip B, Cable
23	91402-ZJ1-841	1		Clip, Purse Lock
24	93892-04014-08	4		Screw-washer (4x14)
	93892-04014-18	4		Screw-washer (4x14)
25	93892-05012-08	2		Screw-washer (5x12)
26	95002-02080	1		Clip, Tube (B8)
27	95801-06120-00	2		Bolt, Flange (6x120)
28	99201-ZG8-1100	1		Jet Set, Main (#110)



642 6x4 Utility Vehicle (Fire & Rescue) (37AS642E100)
Engine - Control

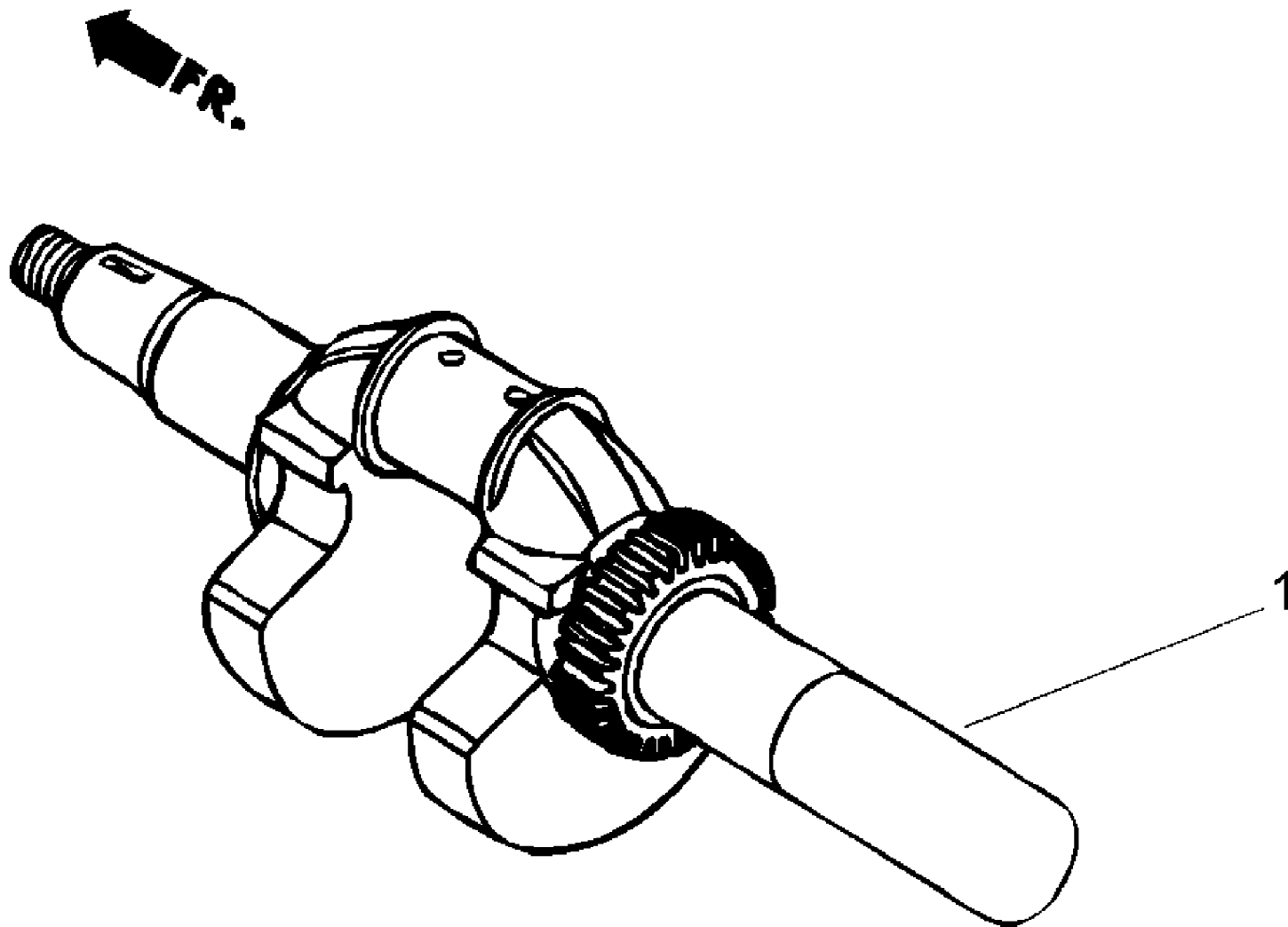
Page 34 of 100

Ref #	Part Number	Qty	S/P/F	Description
1	16263-883-W10	1		Joint, Rod
2	16500-ZJ1-861	1		Control Assembly
3	16534-ZJ1-840	1		Spring, Starter
4	16551-ZJ1-840	1		Arm, Governor
5	16555-ZJ1-840	1		Rod, Governor
6	16561-ZJ4-830	1		Spring, Governor
7	16562-ZJ1-840	1		Spring, Throttle Return
8	16576-891-000	2		Holder, Cable
10	16584-883-300	2		Spring, Control Adjusting
11	16592-ZJ1-000	2		Spring, Cable Return
12	16617-ZJ1-840	2		Holder, Cable
14	16611-ZJ1-840	1		Rod, Choke Control
18	90014-952-000	2		Bolt, Flange (6x14)
21	92301-05016-0A	2		Bolt, Slot (5x16)
23	92301-05025-0A	1		Bolt, Slot (5x25)
24	92301-04006-0H	2		Bolt, Recessed (4x6)
25	93500-05025-0A	1		Screw, Pan (5x25)
26	94050-06000	1		Nut, Flange (6mm)

642 6x4 Utility Vehicle (Fire & Rescue) (37AS642E100)
Engine - Crankcase Cover

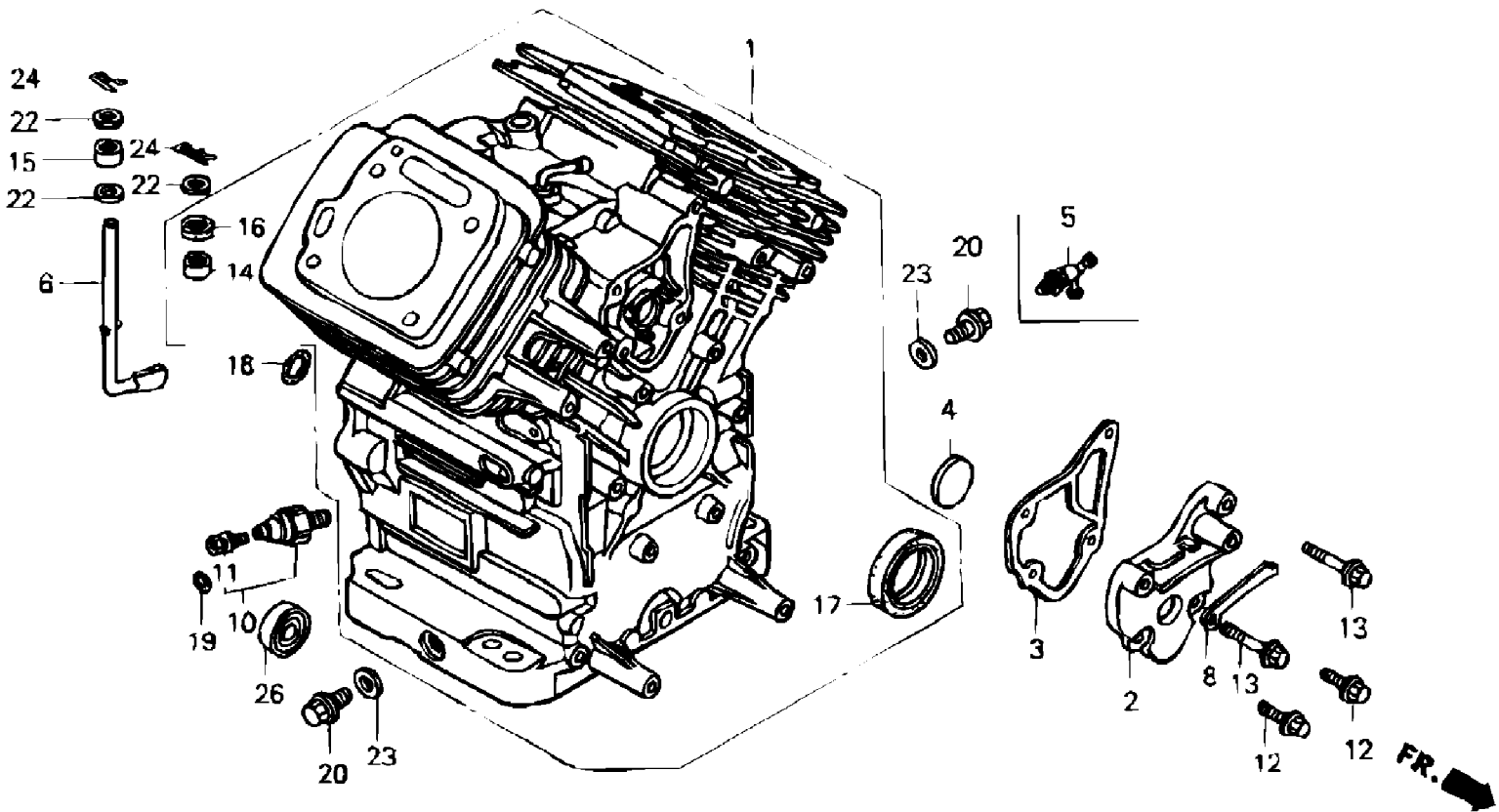
Page 36 of 100

Ref #	Part Number	Qty	S/P/F	Description
1	11300-ZJ1-840	1		Cover Assembly, Crankcase (Q-type)
2	11381-ZJ1-840	1		Gasket, Case Cover
4	15120-ZJ1-000	1		Cover Assembly, Oil Pump
5	15124-ZJ1-003	1		Rotor, Oil Pump (Outer)
6	15232-ZJ1-000	1		Spring, Relief Valve
7	15348-ZJ1-840	1		Cover, Oil Filter
8	15400-P0H-305PE	1	S	Filter, Oil
10	15411-ZJ1-840	1		Base, Oil Filter
11	15427-ZJ1-000	1		Screen, Oil Filter
12	15655-ZJ1-840	1		Dipstick, Oil
13	16510-ZJ1-840	1		Governor Assembly
14	16511-ZJ1-840	3		Weight, Governor
15	16512-ZJ1-840	1		Holder, Governor Weight
16	16513-ZE2-000	3		Pin, Governor Weight
17	16531-ZE2-000	1	S	Slider, Governor
20	90015-883-000	3		Bolt, Flange (6x28)
21	90018-PN3-000	1		Holder, Oil Filter
22	90473-147-000	1		Washer (6x16)
23	90602-ZE1-000	1		Clip, Governor Holder
24	91202-ZJ1-841	1		Oil Seal (38x58x9)
25	91320-MJ6-003	2		O-ring (11.8x2.4)
26	94101-06800	1		Washer, Plain (6mm)
27	94301-08140	2		Pin A, Dowel (8x14)
28	95701-06020-00	3		Bolt, Flange (6x20)
29	95701-08050-00	9		Bolt, Flange (8x50)
30	96211-12000	1		Ball, Steel (#12) (3/8)
31	96600-06016-00	2		Bolt, Socket (6x16)



642 6x4 Utility Vehicle (Fire & Rescue) (37AS642E100)
Engine - Crankshaft

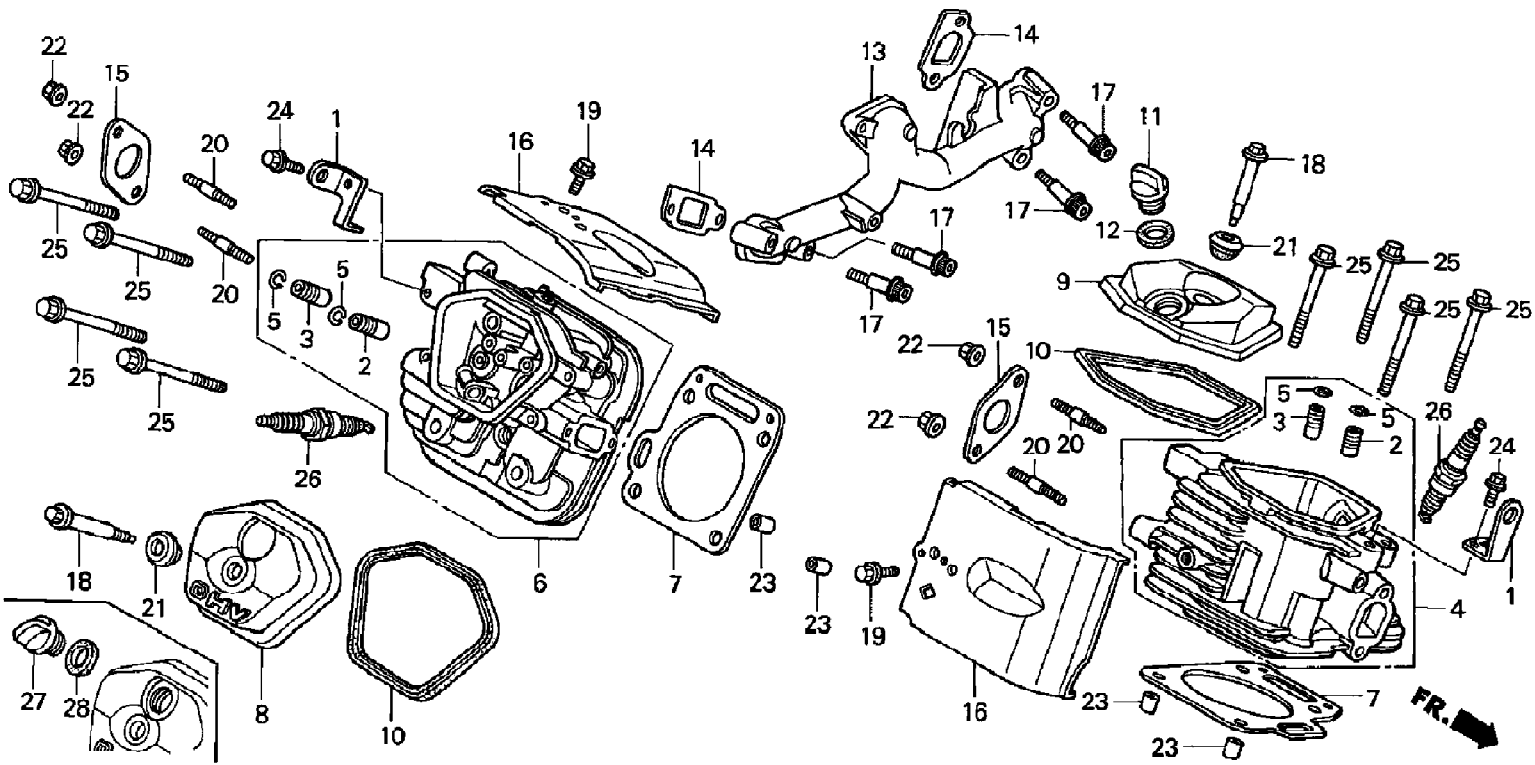
Ref #	Part Number	Qty	S/P/F	Description
1	13310-ZJ1-840	1		Crankshaft



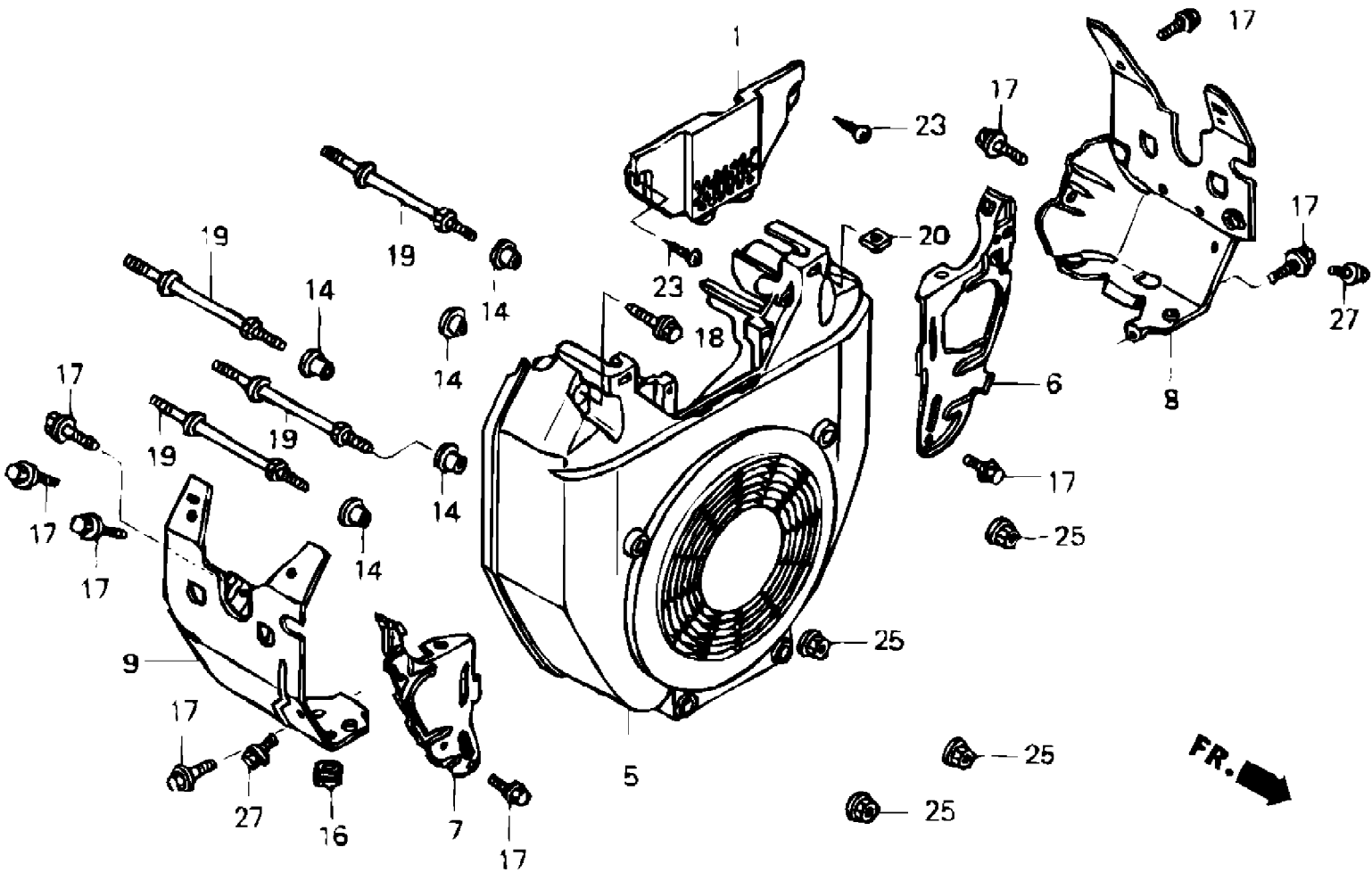
642 6x4 Utility Vehicle (Fire & Rescue) (37AS642E100)
Engine - Cylinder Barrel

Page 40 of 100

Ref #	Part Number	Qty	S/P/F	Description
1	12000-ZJ1-841	1	/P	Cylinder Assembly
2	12356-ZJ1-000	1		Cover, Breather
3	12358-ZJ1-000	1		Gasket, Breather Cover
4	12372-ZE2-300	1		Valve, Breather
5	15558-ZJ1-010AH	1		Valve, Drain (14x1.5)
6	16541-ZJ1-840	1		Shaft, Governor Arm
8	31511-ZJ1-000	1		Clamp, Wire
10	37240-ZG3-E01	1		Switch, Oil Pressure
11	90002-ZG5-004	1		Screw-washer (4x8)
12	90029-888-000	2		Bolt, Flange (6x16)
13	90031-ZE1-000	2		Bolt, Flange (6x32)
14	91001-ZJ1-841	1		Bearing, Needle (8x12.7x11.1)
15	91002-ZJ1-841	1		Bearing, Needle (8x12x10)
16	91201-ZE9-003	1		Oil Seal (8x14x5)
17	91201-ZJ1-841	1		Oil Seal (38x58x9)
18	91302-MB6-830	1		O-ring (13x3.0)
20	92800-14000	2		Bolt, Drain Plug (14mm)
22	94102-08800	3		Washer, Plain (8mm)
23	94109-14000	2		Washer, Drain Plug (14mm)
24	94251-08000	2		Pin, Lock (8mm)
26	96140-60030-10	1		Bearing, Radial Ball (6003)



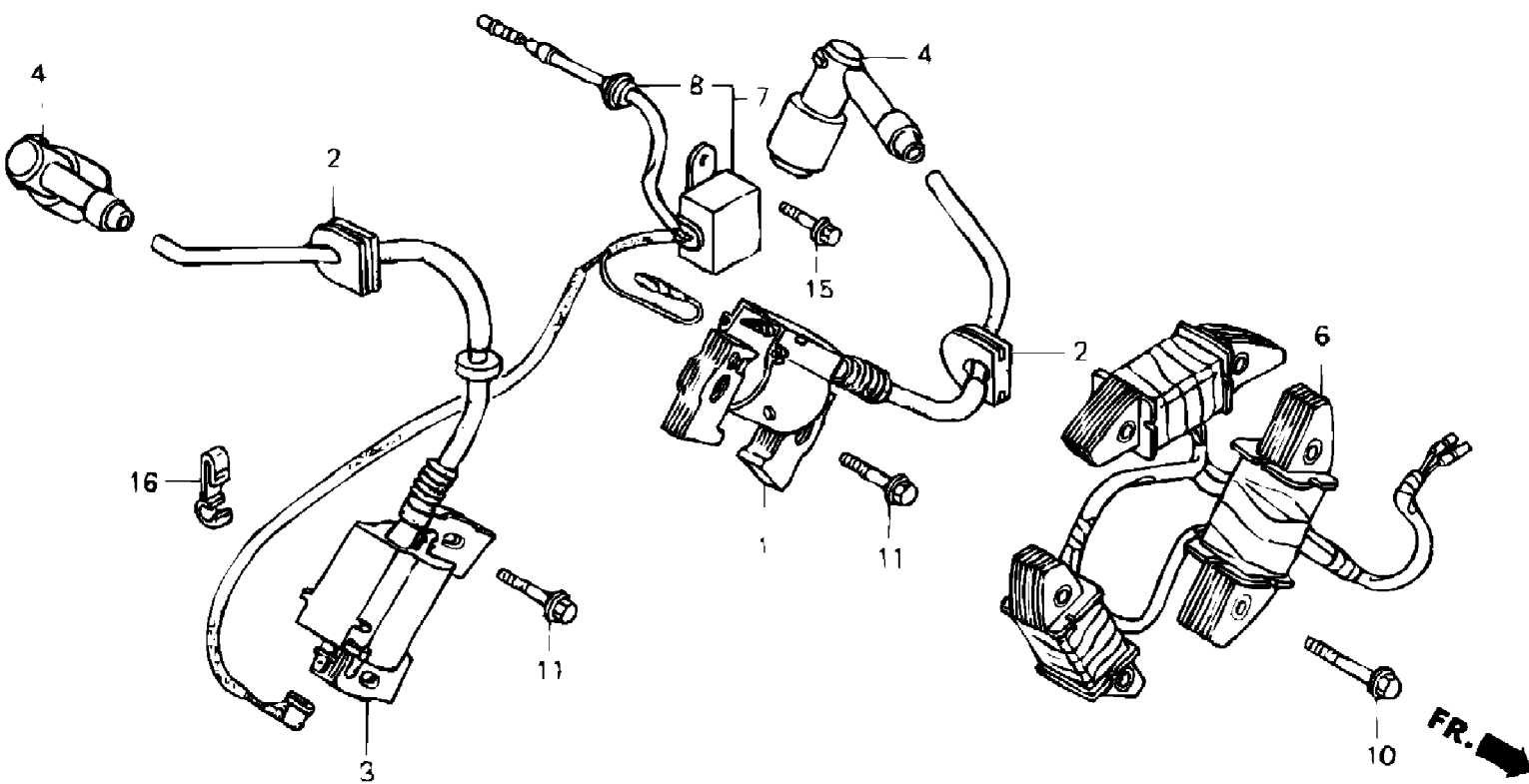
Ref #	Part Number	Qty	S/P/F	Description
1	11911-ZJ1-840	2		Hanger, Engine
2	12204-ZE2-306	2		Guide, Valve (OS)
3	12205-ZJ1-405	2		Guide, Ex. Valve (OS)
4	12210-ZJ1-840	1	S	Cylinder Head (#1)
5	12216-ZE2-300	4		Clip, Valve Guide
6	12220-ZJ1-840	1		Cylinder Head (#2)
7	12251-ZJ1-841	2		Gasket, Cylinder Head
8	12311-ZJ1-840	1		Cover, Head
9	12314-ZJ1-840	1		Cover, Head Filler
10	12391-ZE2-020	2		Gasket, Cylinder Head Cover
11	15611-MB0-000	1		Cap, Oil Filler
12	15625-ZJ1-840	1		Gasket, Oil Filler Cap
13	17101-ZJ1-840	1		Manifold, In
14	17151-ZJ1-841	2		Gasket, In. Manifold
15	18333-ZE3-800	2		Gasket, Ex. Pipe
16	19682-ZJ1-840	2		Shroud, Head
17	90011-ZJ1-841	4		Bolt, Socket (8x45)
18	90014-ZE2-000	2		Bolt, Head Cover
19	90014-952-000	2		Bolt, Flange (6x14)
20	90018-ZJ1-840	4		Bolt, Stud (8x22)
21	90441-ZE2-010	2		Washer, Head Cover
22	94050-08000	4		Nut, Flange (8mm)
23	94301-12200	4		Pin A, Dowel (12x20)
24	95701-08020-00	2		Bolt, Flange (8x20)
25	95701-10080-00	8		Bolt, Flange (10x80)
26	98079-52876	2		Spark Plug (BPR2ES) (NGK)



Ref #	Part Number	Qty	S/P/F	Description
1	16715-ZJ1-840	1		Cover, Fuel Pump
5	19611-ZJ1-860ZB	1		Cover, Fan (Bright Red)
6	19612-ZJ1-840	1		Plate, R. Side
7	19614-ZJ1-840	1		Plate, L. Side
8	19631-ZJ1-840	1		Shroud, R
9	19632-ZJ1-840	1		Shroud, L
14	33713-GC2-000	6		Collar B, Taillight
16	80101-310-000	1		Rubber, Rr. Fender Cushion
17	90013-883-000	10		Bolt, Flange (6x12) (Ct200)
18	90018-ZE1-000	2		Bolt, Flange (6x23)
19	90042-ZJ1-840	4		Bolt, Stud (6x71)
20	90313-ZJ1-840	2		Nut, Square (5mm)
23	93913-25580	2		Screw, Tapping (5x20)
25	94050-06000	4		Nut, Flange (6mm)
27	95701-06008-00	2		Bolt, Flange (6x8)

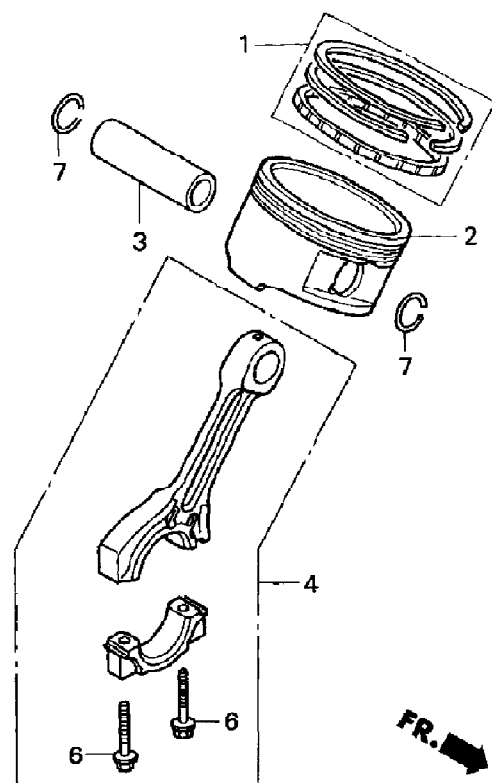
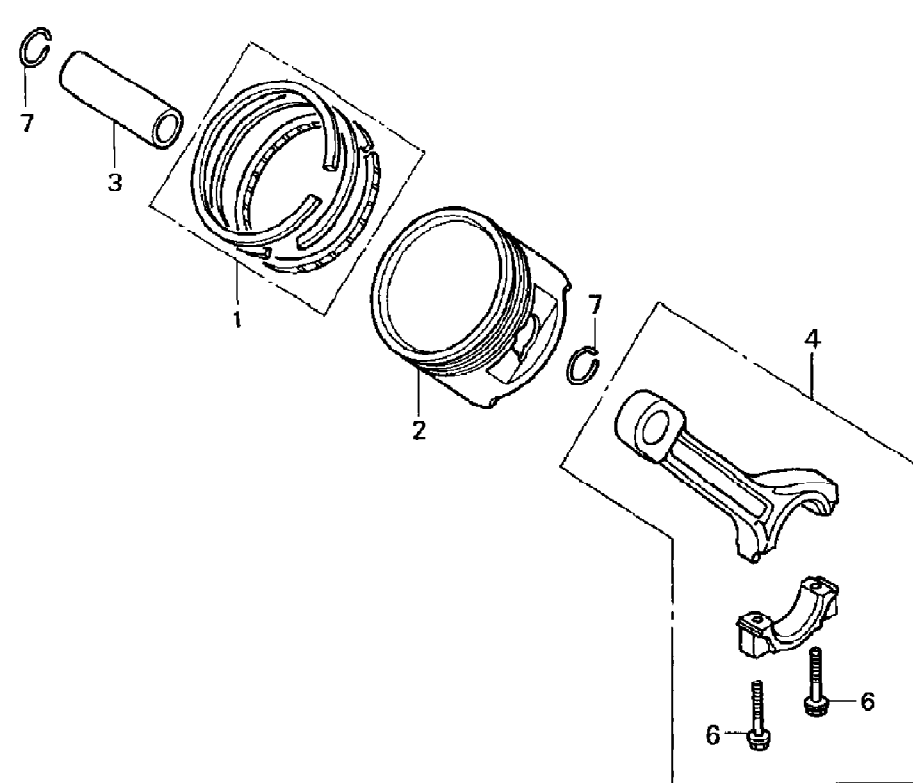
642 6x4 Utility Vehicle (Fire & Rescue) (37AS642E100)
Engine - Flywheel

Ref #	Part Number	Qty	S/P/F	Description
1	19511-ZJ1-000	1		Fan, Cooling
2	19513-ZJ1-000	1		Plate, Cooling Fan Setting
4	28452-ZJ1-811	1		Grid, Screen
6	28454-ZJ1-801	1		Holder, Screen Grid
7	31110-ZJ1-840	1		Flywheel
10	90201-ZG3-000	1		Nut, Flange (20mm)
11	90401-ZG3-000	1		Washer (20mm)
12	90741-ZE2-000	1		Key, Special Woodruff (25x18)
14	95701-08016-00	1		Bolt, Flange (8x16)
17	95701-08016-00	1		Bolt, Flange (8x16)

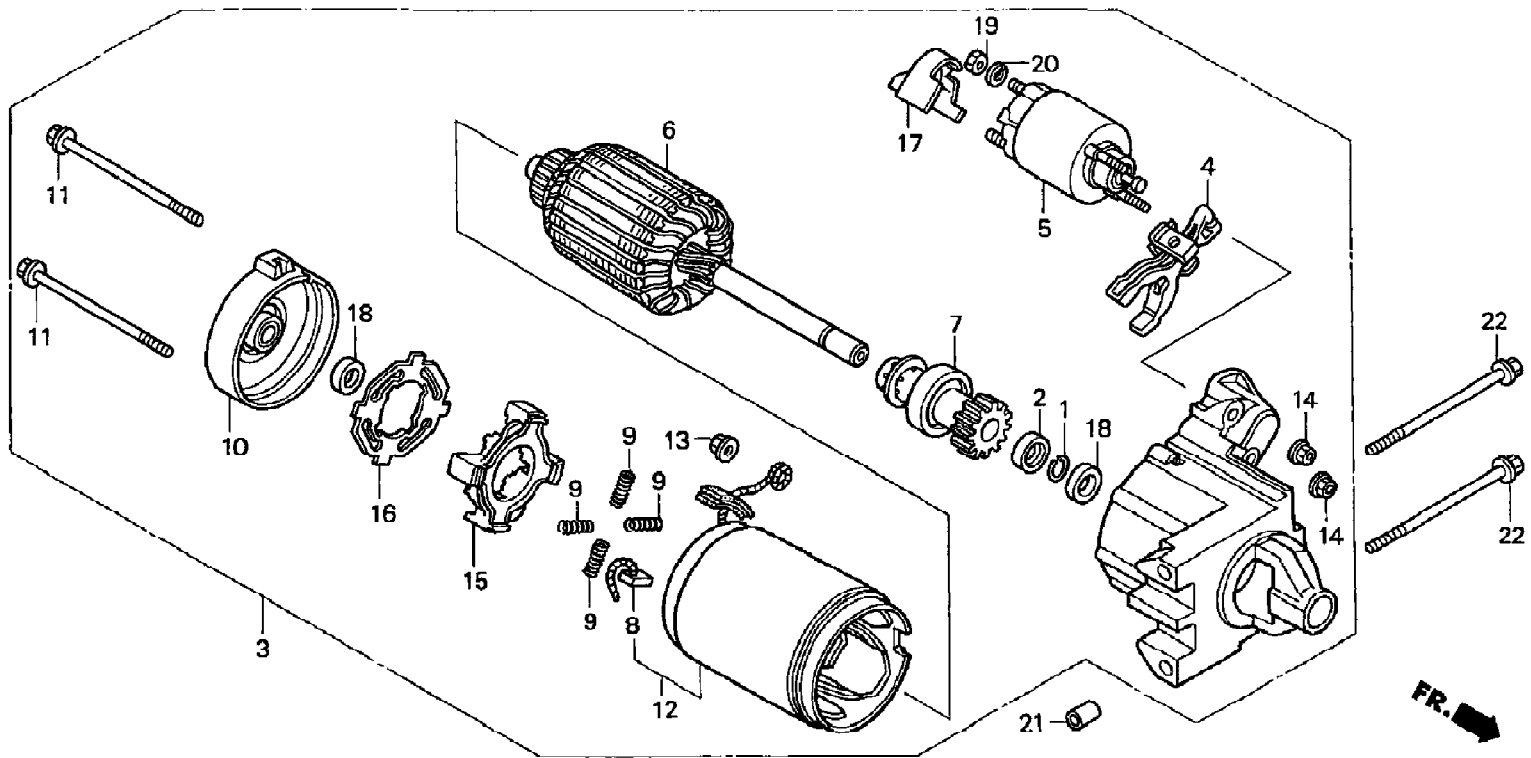


642 6x4 Utility Vehicle (Fire & Rescue) (37AS642E100)
 Engine - Ignition Coil

Ref #	Part Number	Qty	S/P/F	Description
1	30500-ZJ1-841	1	S	Coil Assembly., R. Ignition
2	30518-ZJ1-000	2		Grommet, Ignition Wire
3	30550-ZJ1-841	1	S	Coil Assembly., L. Ignition
4	30700-ZJ1-841	2		Cap Assembly., Noise Suppressor
6	31630-ZJ1-801	1	S	Coil Assembly., Charge (12V/20A)
7	31740-ZJ1-841	1		Diode Assembly., Engine Stop
8	63312-ZA7-000	1		Grommet, Tool
10	90031-ZE1-000	6		Bolt, Flange (6x32)
11	90031-ZE1-000	2		Bolt, Flange (6x32)
15	95701-06008-00	1		Bolt, Flange (6x8)
16	32763-PA0-000	1		Clamp, Wire



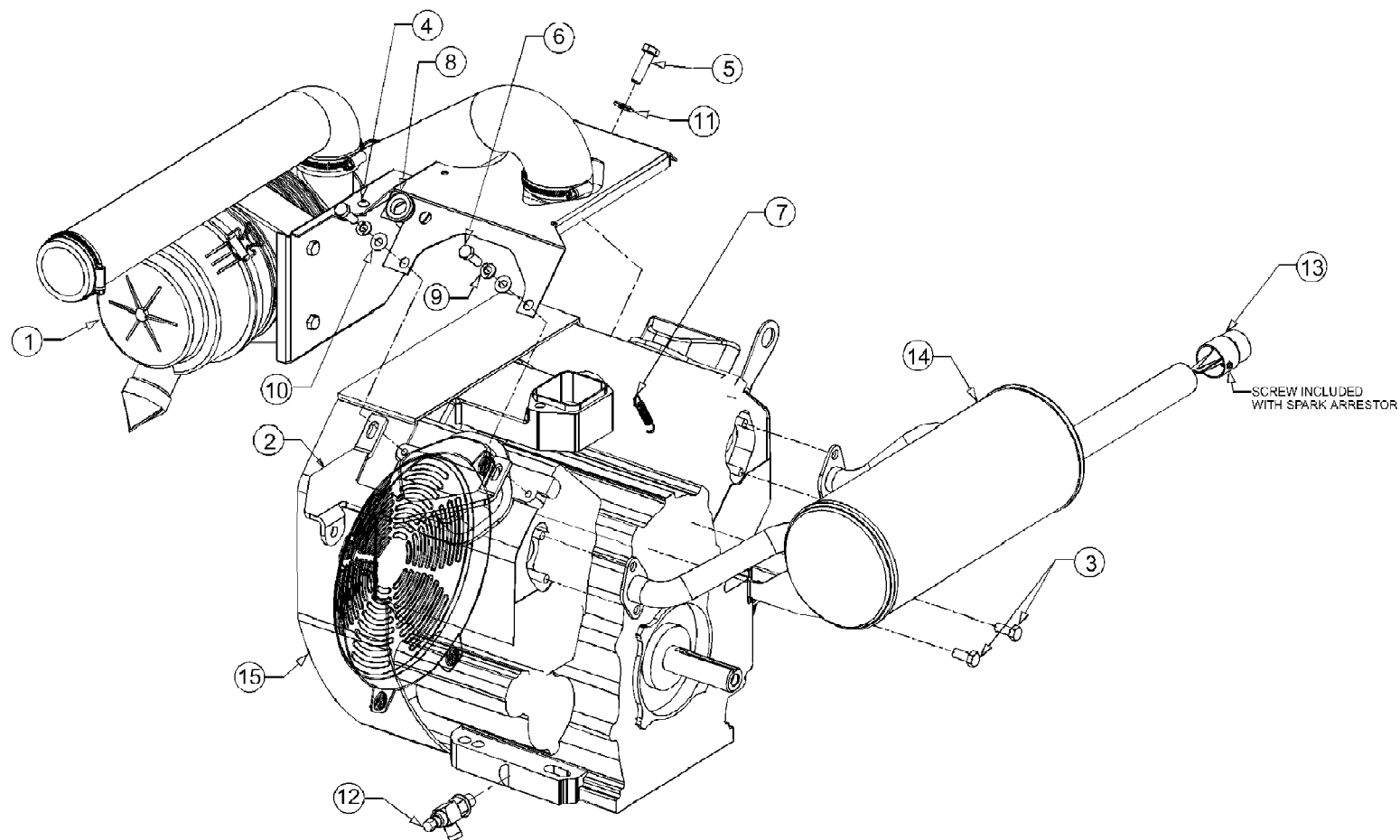
Ref #	Part Number	Qty	S/P/F	Description
1	13010-ZJ1-841	2		Ring Set, Piston (Std)
	13011-ZJ1-841	2		Ring Set, Piston (OS 0.25)
	13012-ZJ1-841	2		Ring Set, Piston (OS 0.50)
	13013-ZJ1-841	2		Ring Set, Piston (0.75)
2	13101-ZJ1-840	2		Piston (Std)
	13102-ZJ1-840	2		Piston (OS 0.25)
	13103-ZJ1-840	2		Piston (OS 0.50)
	13104-ZJ1-840	2		Piston (0.75)
3	13111-ZJ1-840	2		Pin, Piston
4	13200-ZJ1-841	2		Rod Assembly, Connecting
6	90001-ZN1-000	4		Bolt, Connecting Rod (6x37)
7	94601-18000	4		Clip, Piston Pin (18mm)



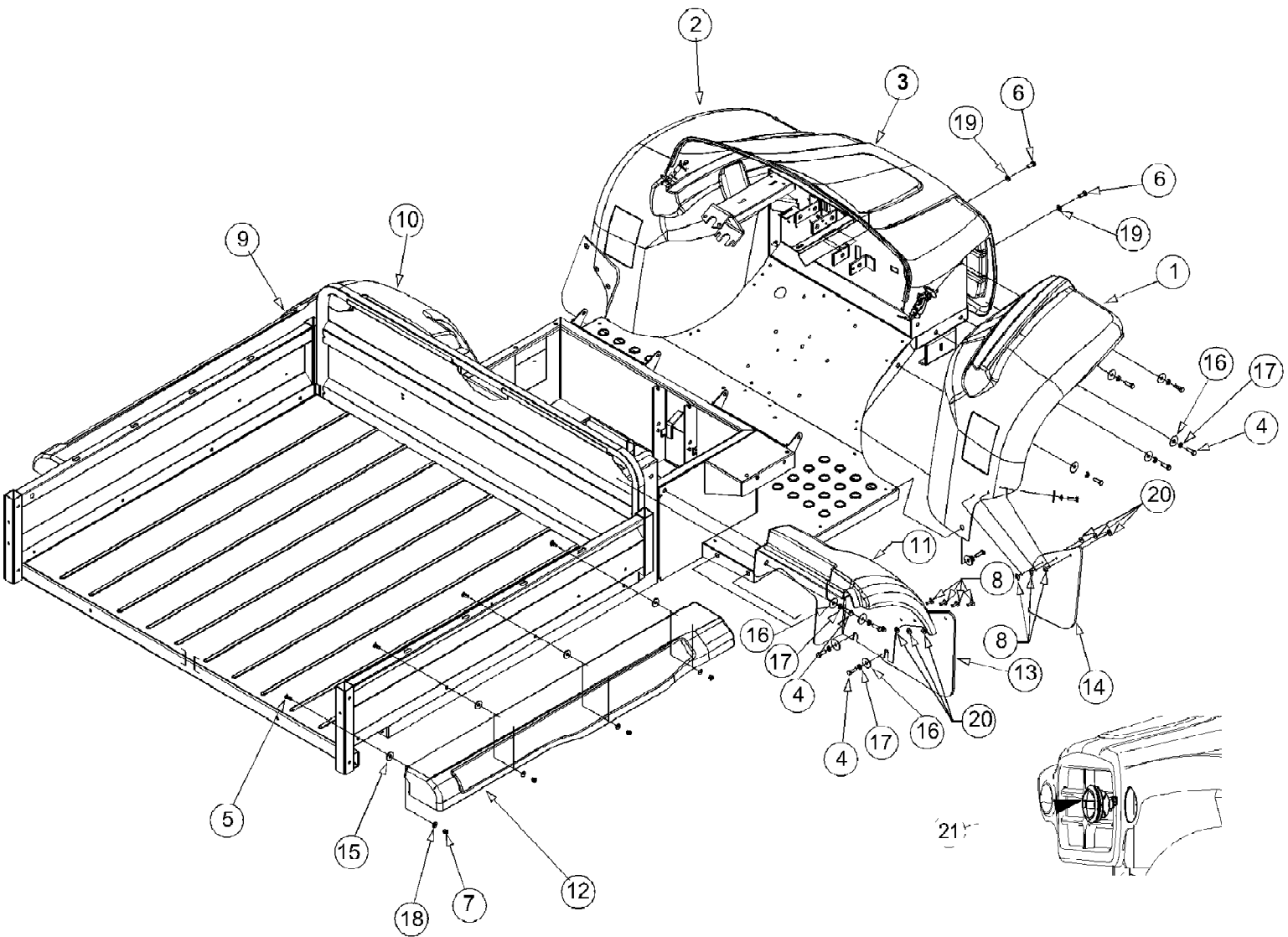
642 6x4 Utility Vehicle (Fire & Rescue) (37AS642E100)
Engine - Starter Motor

Page 52 of 100

Ref #	Part Number	Qty	S/P/F	Description
1	30201-PH9-004	1		Ring, Snap (Denso)
2	30202-PZ1-003	1		Collar Set, Clutch Stop
3	31200-ZJ1-841	1	S	Motor Assembly., Starter
4	31203-PH9-004	1		Lever, Pinion Drive
5	31204-ZJ1-H01	1	S	Switch Assembly., Magnet
6	31206-ZG4-801	1		Armature
7	31207-ZJ1-H01	1		Clutch, Overrunning
8	31211-PH9-004	4		Brush
9	31212-PH9-004	4		Spring, Brush
10	31213-P64-N01	1		Cover
11	31214-PH9-004	2		Bolt, Through
12	31216-ZJ1-H01	1		Yoke
13	31220-PH9-004	1		Nut, Hex. (8mm)
14	31223-PA0-006	2		Nut, Flange (5mm)
15	31231-PH9-004	1		Holder, Brush
16	31233-PH9-004	1		Insulator, Brush Holder
17	31234-ZJ1-H01	1		Cover, Terminal
18	91002-ZG4-801	2		Bearing A
19	94001-08000-0S	1		Nut, Hex. (8mm)
20	94111-08000	1		Washer, Spring (8mm)
21	94301-10120	2		Pin, Dowel (10x12)
22	95701-08110-00	2		Bolt, Flange (8x110)



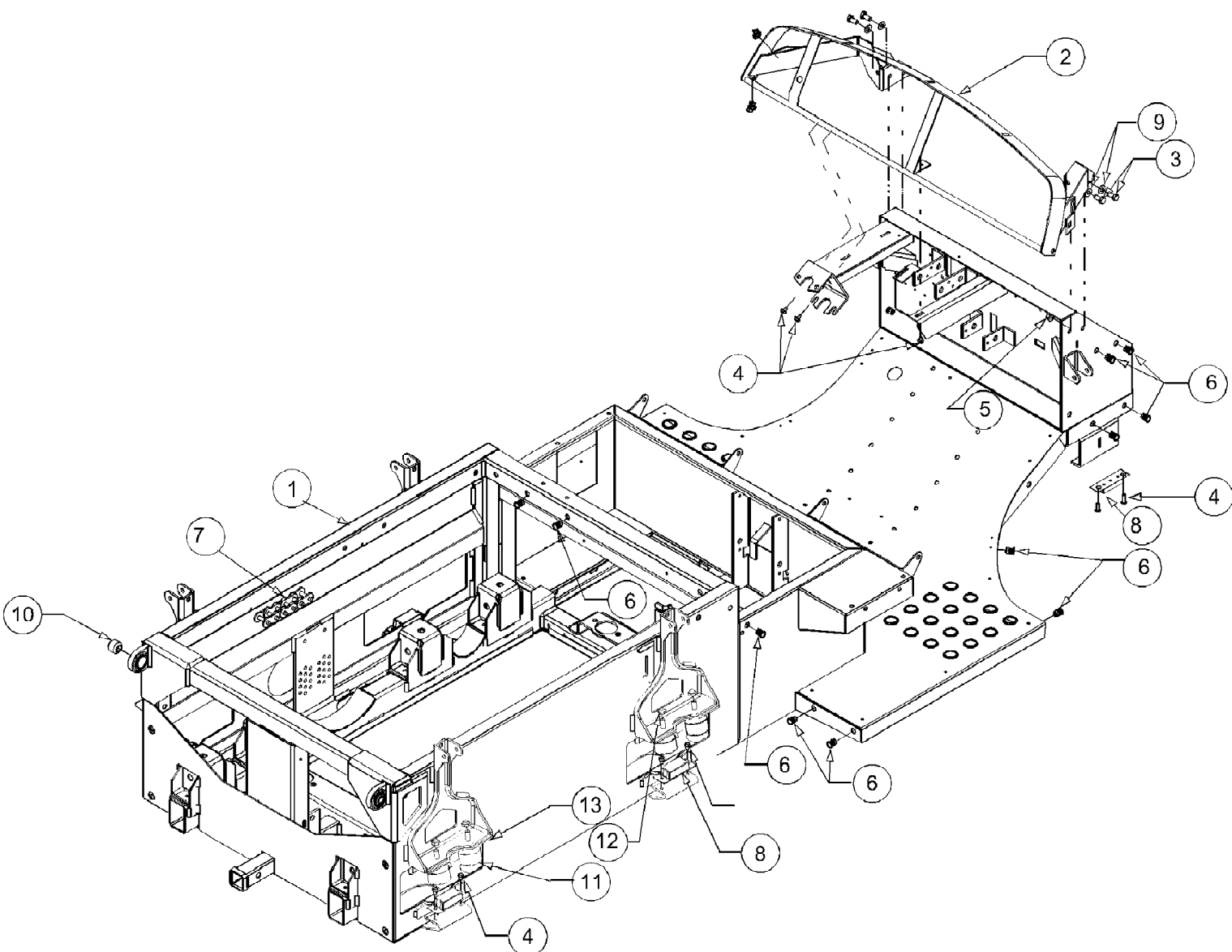
Ref #	Part Number	Qty	S/P/F	Description
1	651-04000A	1		Filter Assembly, Air Cleaner
	751-3206	1		Filter, Air Cleaner Housing
	751-3207	1		Filter, Air Cleaner Element
	751-3208	1		Filter, Air Cleaner Cap
	751-3197	1		Filter, Air Cleaner Dust Valve
2	707-0375	1		Support, Upper Transmission
3	710-04022	2		Hex Screw, M8-1.25
4	710-0473	2	/P	Screw, Machine #10-24 x .50
5	710-3005	1	/P	Hex Screw, 3/8-16 x 1.25
6	710-3206A	3	/P	Hex Screw, M8-1.25 x 25, Gr8
7	732-04039	1		Spring, Extension, .315 OD x 2.125
8	735-0226	1		Grommet, Rubber .66 ID x 1.25 OD
9	736-0119	2	S	Washer, Lock, 5/16
10	736-0278	2		Washer, Flat, .33 x .678 x .030
11	736-3050	1	/P	Washer, Flat, .406 x .812 x .051
12	737-04013	1		Valve, Oil Drain
13	751-0544	1	S	Arrestor, Spark 1-1/4
14	751-0854	1	S	Muffler, Honda GXV
15	852H636740	1		Engine, Honda GX620K1



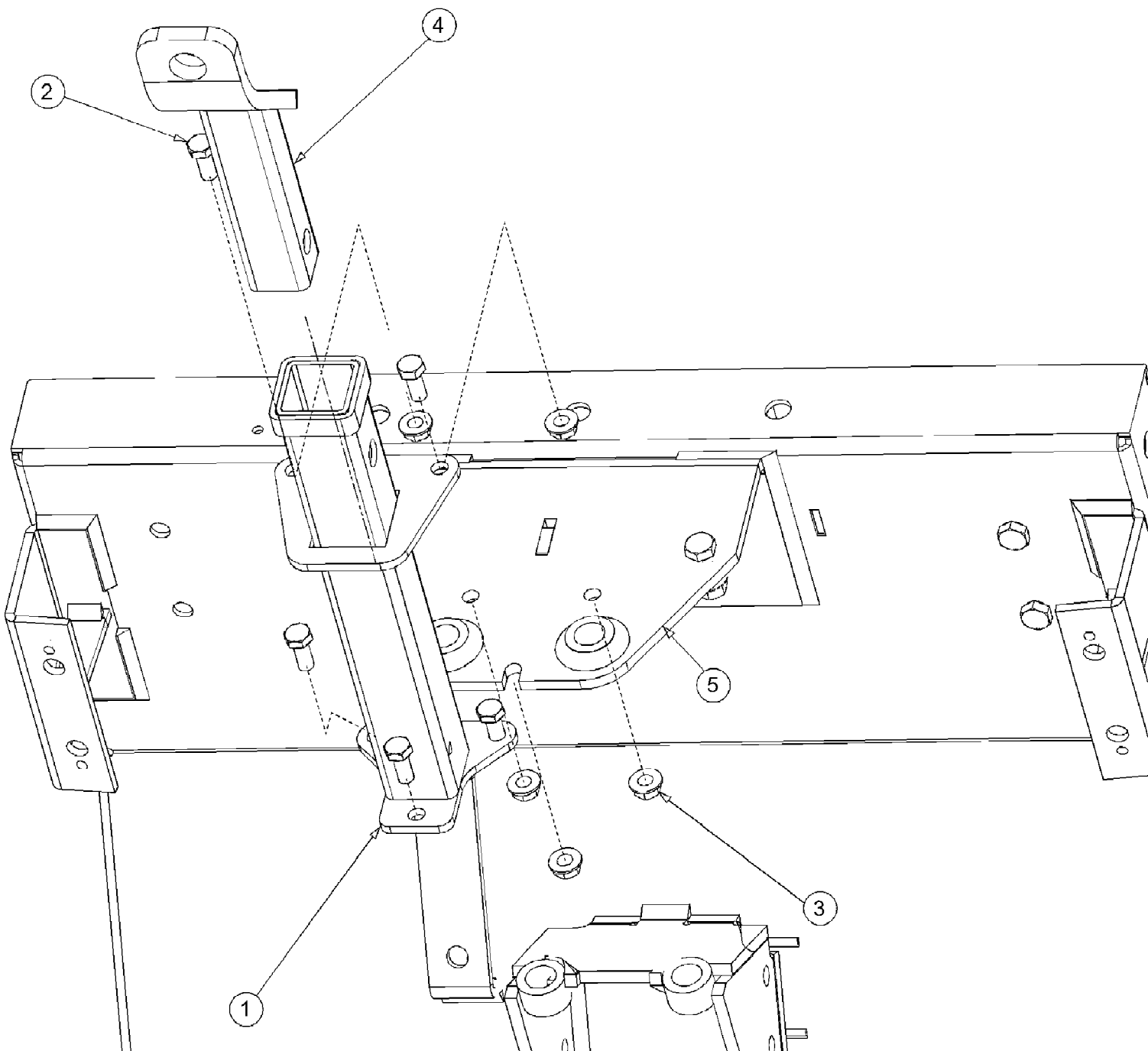
642 6x4 Utility Vehicle (Fire & Rescue) (37AS642E100)
Fenders

Page 56 of 100

Ref #	Part Number	Qty	S/P/F	Description
1	731-04556	1	S	Panel, Front Fender, RH
2	731-04557	1	S	Panel, Front Fender, LH
3	731-04552	1	S	Panel, Hood
4	710-0376	22	/P	Hex Screw, 5/16-18 x 1.0 Gr5
5	710-0703	8	/P	Hex Screw, 1/4-20 x .75
6	710-3008	2	/P	Hex Screw, 1/4-20
7	710-0324	8		Hex Lock Nut, Nylon, 1/4-20
8	728-04004	14	S	Pop Rivet
9	731-04553	1	S	Panel, Bed Skirt, LH
10	731-04559	1	S	Panel, Rear Fender, LH
11	731-04558	1	S	Panel, Rear Fenders, RH
12	731-04555	1	S	Panel Bed Skirt, RH
13	735-04035	2		Mud Flap, Rear
14	735-04003	2		Mud Flap
15	736-04008	8		Washer, Rubber, .310 x 1.0 x .125
16	736-04004	22		Flat Washer, .350 x 1.25 x .06
17	736-0119	22	S	Lock Washer, 5/16
18	736-3020	8	S	Flat Washer, .271 x .630 x .065
19	736-0275	2	S	Flat Washer, .344 x .688 x .0652
20	736-0400	14	S	Flat Washer, .194 x .62 OD x .063
21	625-04017	2	S	Headlight Assembly



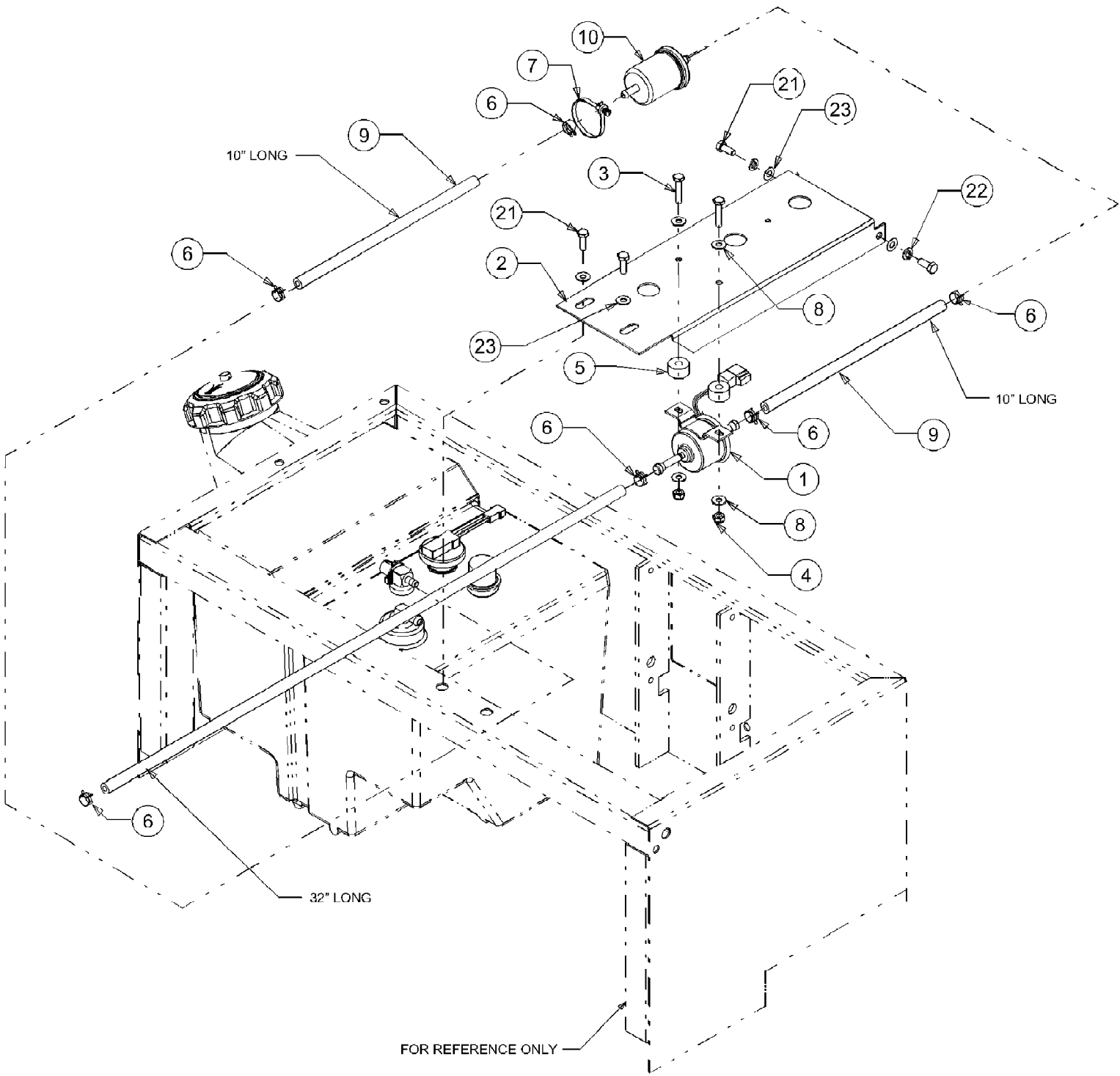
Ref #	Part Number	Qty	S/P/F	Description
1	607-0044C	1		Frame Assembly, Complete
2	607-04065	1	S	Frame Assembly, Upper Dash
3	710-0216	4	/P	Screw, Hex, 3/8-16 x .75
4	710-0599	15	/P	Screw, Self-tapping, 1/4-20 x 0.500
5	712-0431	4	S	Nut, Flange Lock, 3/8-16
6	712-0703A	26	/P	Nut, Insert, 5/16-18
7	713-0605	2		Chain, 60-97 Pitch
8	731-04016	6		Bumper, Compression Extension
9	736-3050	4	/P	Washer, Flat, .406 x 812 x .51
10	741-0761	2		Rubber Bushing, Bed Pivot
11	735-04040	4		Bumper
12	712-04052	8		Nut Hex, Flange Lock
13	707-04246	4		Plate, Spacer



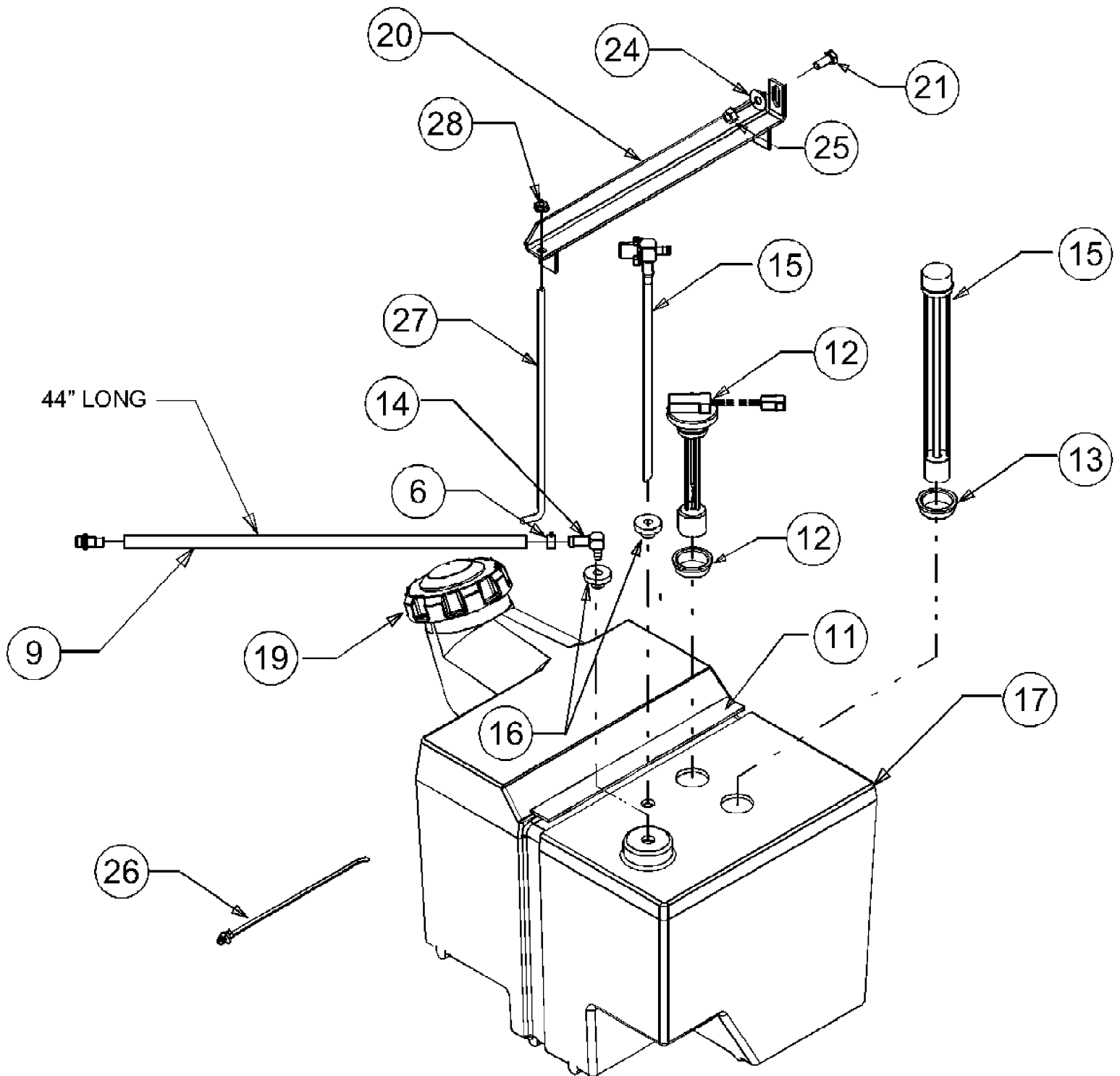
642 6x4 Utility Vehicle (Fire & Rescue) (37AS642E100)
Front Hitch

Page 60 of 100

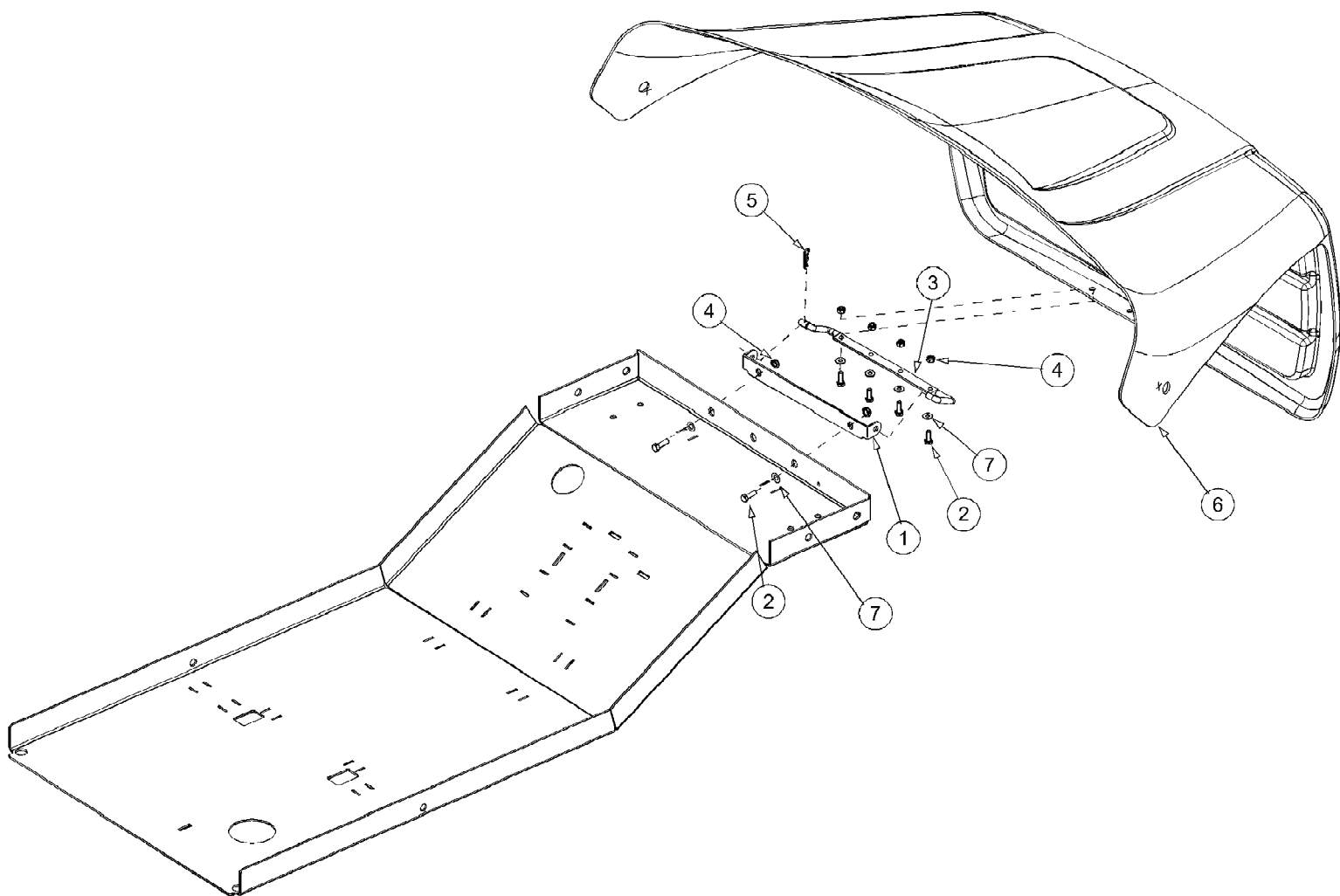
Ref #	Part Number	Qty	S/P/F	Description
1	607-0024	1		Hitch, Assembly
2	710-3008	5	/P	Screw, 5/16-18 x .75 GR 5
3	712-3004A	5	/P	Nut, Flangelock 5/16-18 GR 5
4	607-04011	1		Hitch
5	607-0026A	Ref		Mating Assembly



Ref #	Part Number	Qty	S/P/F	Description
1	651-04003	1		Pump Assembly, Fuel
2	707-0381	1	S	Support Plate, Console
3	710-0106	2	/P	Hex Screw, 1/4-20 x 1.25, Gr5
4	712-0324	2	/P	Nut, Nylon Hex Lock, 1/4-20, Gr8
5	722-0160	2		Bushing, .96 OD x .50
6	726-0205	6	/P	Clamp, Hose
7	726-0470	1		Cable Tie, 19 x 8.39
8	736-3020	4	S	Washer, Flat, .271 x .630 x .065
9	751-0535	5		Hose, Fuel Line
10	793-00003	2	S	Filter, Fuel
21	710-3008	4	/P	Hex Screw, 5/16-18 x .75
22	736-0119	2	S	Washer, Lock, 5/16
23	736-0278	4		Washer, Flat, .330 x .687 x .030



Ref #	Part Number	Qty	S/P/F	Description
6	726-0205	6	/P	Clamp, Hose
9	751-0535	5		Hose, Fuel Line
11	721-04006	2		Gasket, Fuel Tank, 11.5
12	725-2068	1		Switch, Fuel Level Gauge
13	735-0699	2	/P	Grommet, 1.58 OD x 1.21 ID x .5
14	737-04009	1		Fitting, Elbow, .190 ID
15	737-04010	1		Valve, Fuel Tank
16	741-04006	1		Grommet, 1.06 OD x .362
17	751-0850	1	S	Tank, Fuel
18	751-0853	1		Gauge, Fuel Tank
19	751-0852	1	S	Cap, Fuel, 3.5
20	607-0034	1		Bracket Assembly, Fuel Tank
21	710-3008	4	/P	Hex Screw, 5/16-18 x .75
24	736-0159	1	S	Washer, .349 x .879 x .063
25	712-0265	1	/P	Sems Nut, 5/16-18
26	726-0470	1		Cable Tie, Tree Mount
27	711-1768	1		Hold-down Rod, Fuel Tank
28	712-3027	1	S	Nut, Flange Lock, 1/4-20
	631-0223	1	/P	Tank Assembly, Fuel (Incl. Refs 12-19)

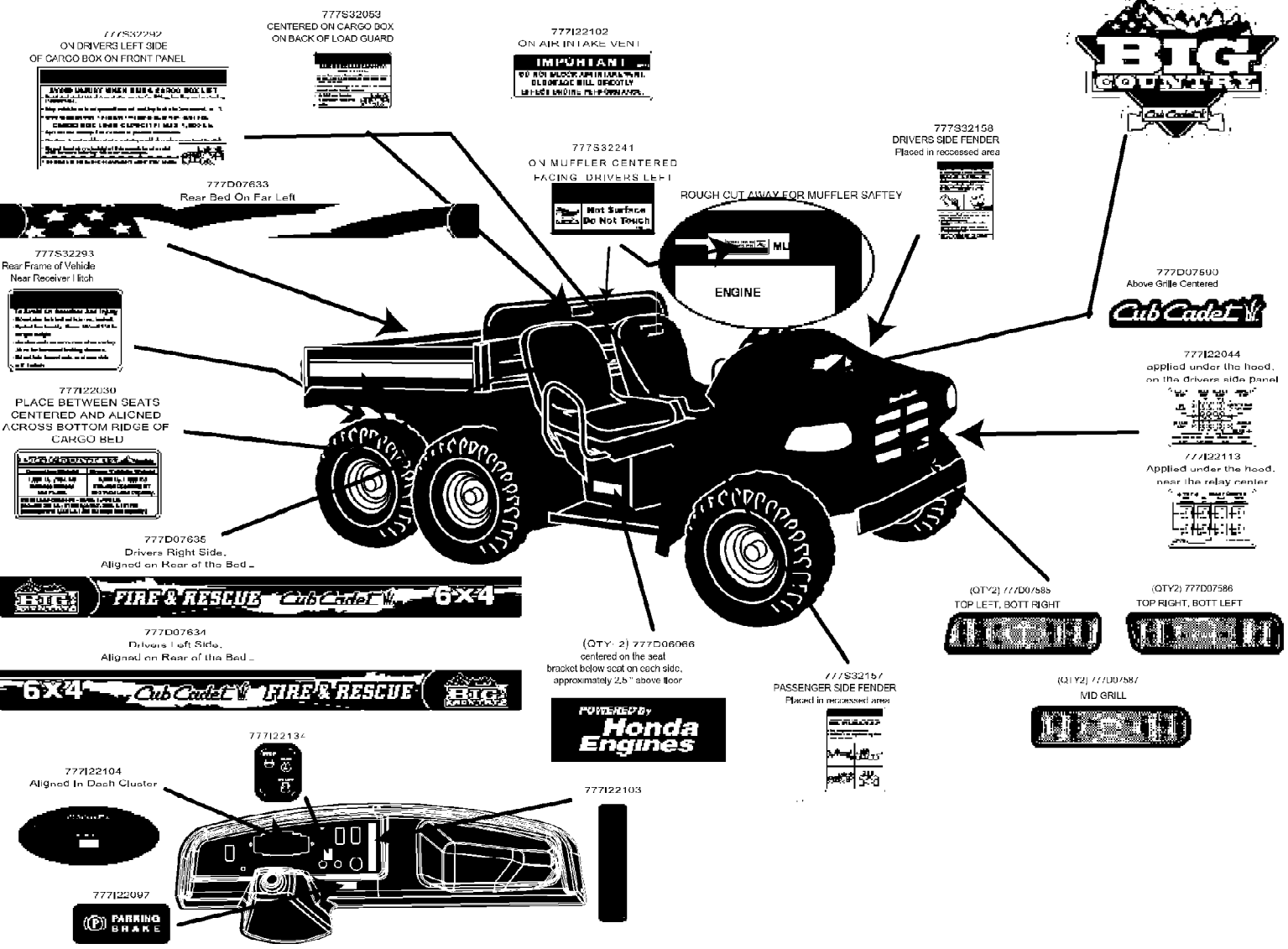


642 6x4 Utility Vehicle (Fire & Rescue) (37AS642E100)
Hood

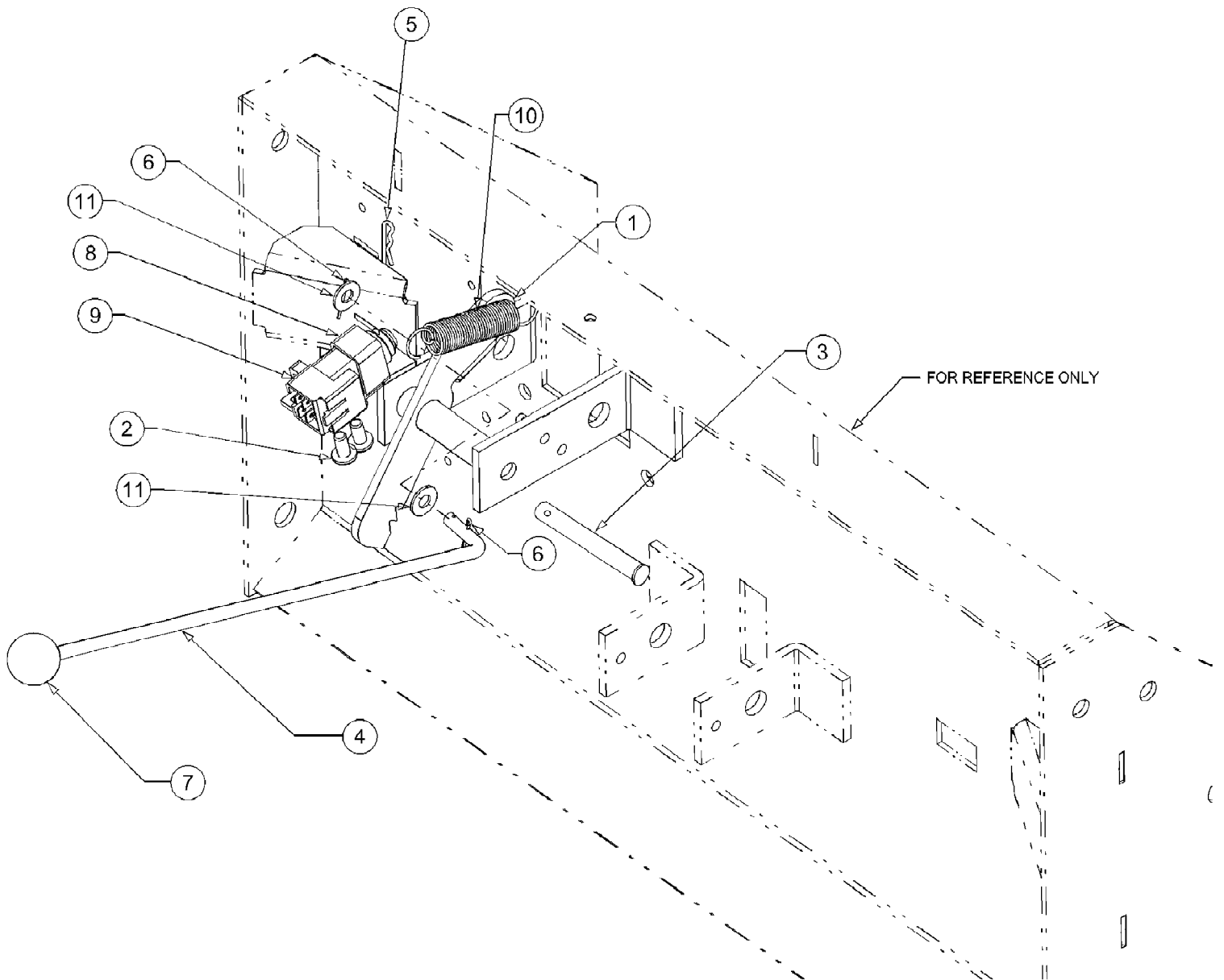
Page 66 of 100

Ref #	Part Number	Qty	S/P/F	Description
1	707-04165	1	S	Mounting Bracket, Hood
2	710-3015	4	/P	Hex Screw, 1/4-20, .75, Gr5
3	711-04139	1		Rod Mounting Hood
4	712-0324	4	/P	Nut, Nylon Hex Lock, 1/4-20, Gr8
5	714-0101	1	S	Cotter Pin
6	731-04552	1	S	Panel, Hood
7	736-3020	4	S	Washer, Flat, .271 x .630 x .065
	631-04055	1		Panel Assembly, Hood

642 6x4 Utility Vehicle (Fire & Rescue) (37AS642E100)
Labels

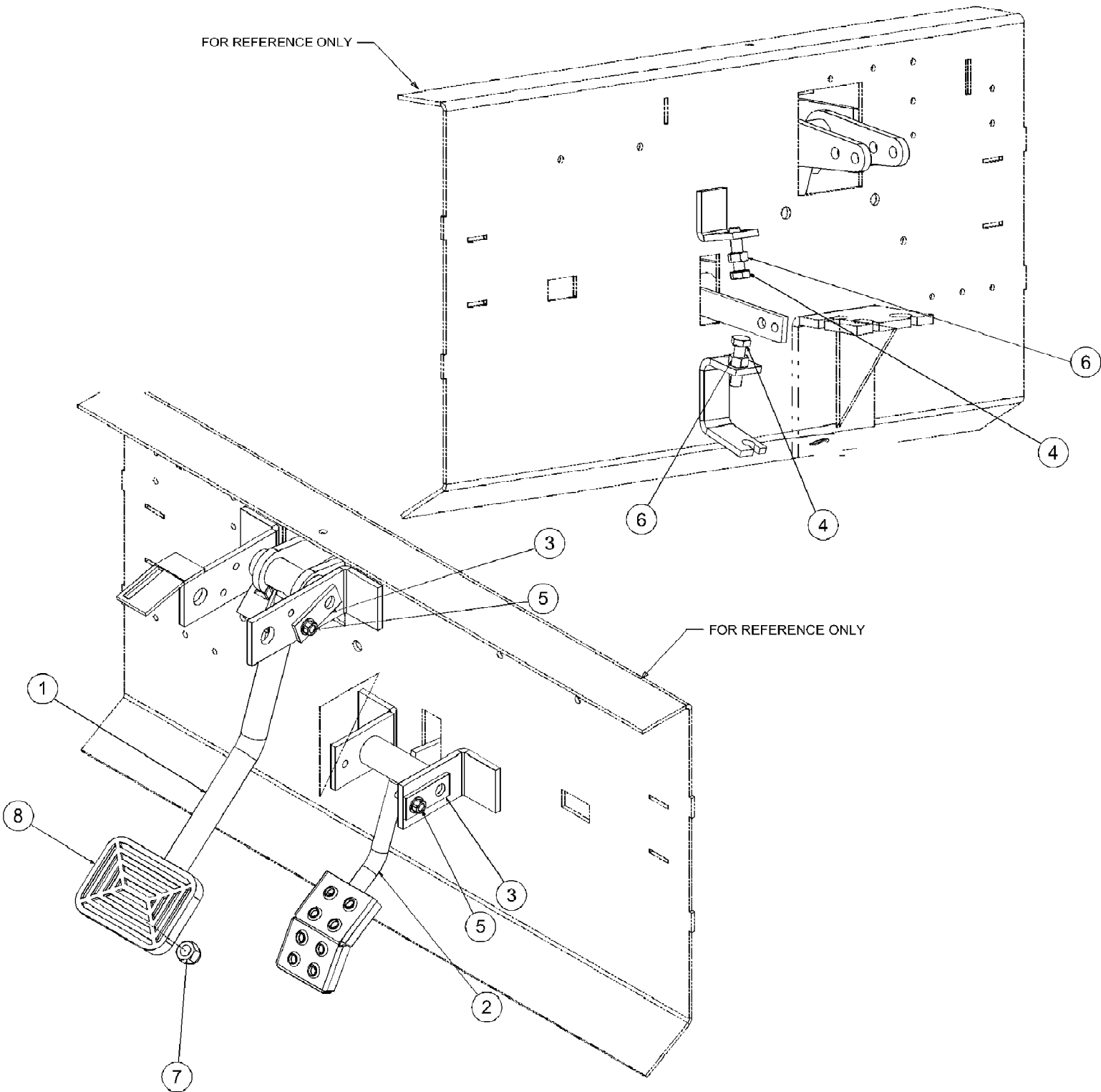


Ref #	Part Number	Qty	S/P/F	Description
777I22030	777I22030	1		LABEL-OPERATING WG
777D07635	777D07635	1	S	USE 977D07635 LABEL-RIGHT SID
777D07634	777D07634	1	S	USE 977D07634 LABEL-LEFT SIDE
777I22134	777I22134	1		LABEL-IGNITION
777I22104	777I22104	1		LABEL-INST PANEL
777I22097	777I22097	1		LABEL-PARKING BRAK
777I22103	777I22103	1		LABEL-DASH BLANK
777D06066	777D06066	1		LABEL-POWERED BY
777S32157	777S32157	1		LABEL-RIDER FALL R
777D07587	777D07587	1		
777D07586	777D07586	1		
777D07585	777D07585	1		
777I22113	777I22113	1		LABEL-RELAY CHART
777I22044	777I22044	1		LABEL-FUSE CHART
777D07590	777D07590	1	S	USE 977D07590 LABEL-GRILLE LO
777S32158	777S32158	1		LABEL-ROLL & FALL
777S32241	777S32241	1		LABEL-HOT SURFACE
777I22102	777I22102	1		LABEL-AIR INTAKE
777S32053	777S32053	1		LABEL-BED LOAD WAR
777D32292	777D32292	1		
777D07633	777D07633	1	S	USE 977D07633 LABEL-TAIL GATE
777S32293	777S32293	1	S	USE 977S32293 LABEL-TOW LOAD

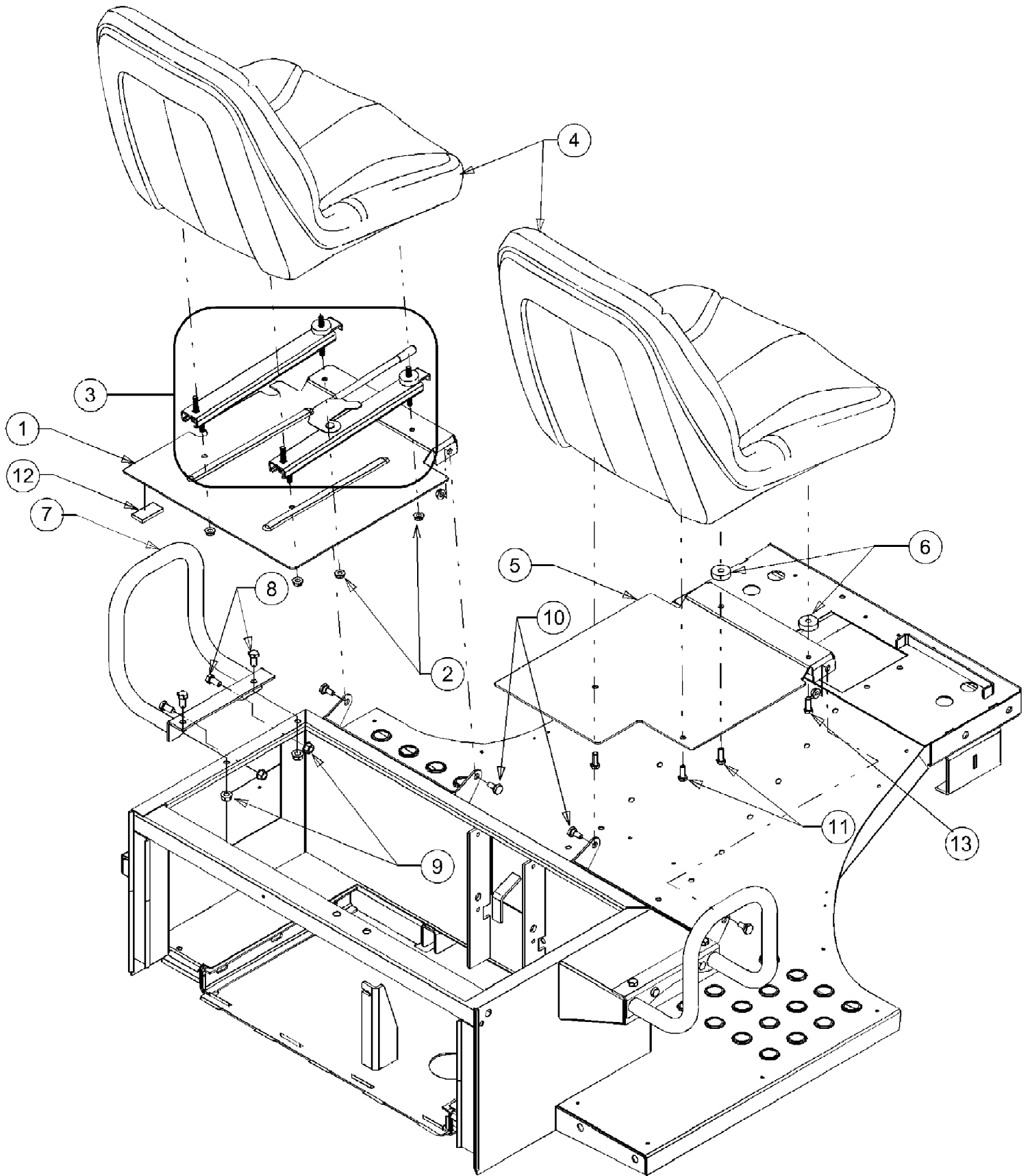


642 6x4 Utility Vehicle (Fire & Rescue) (37AS642E100)
 Parking Brake

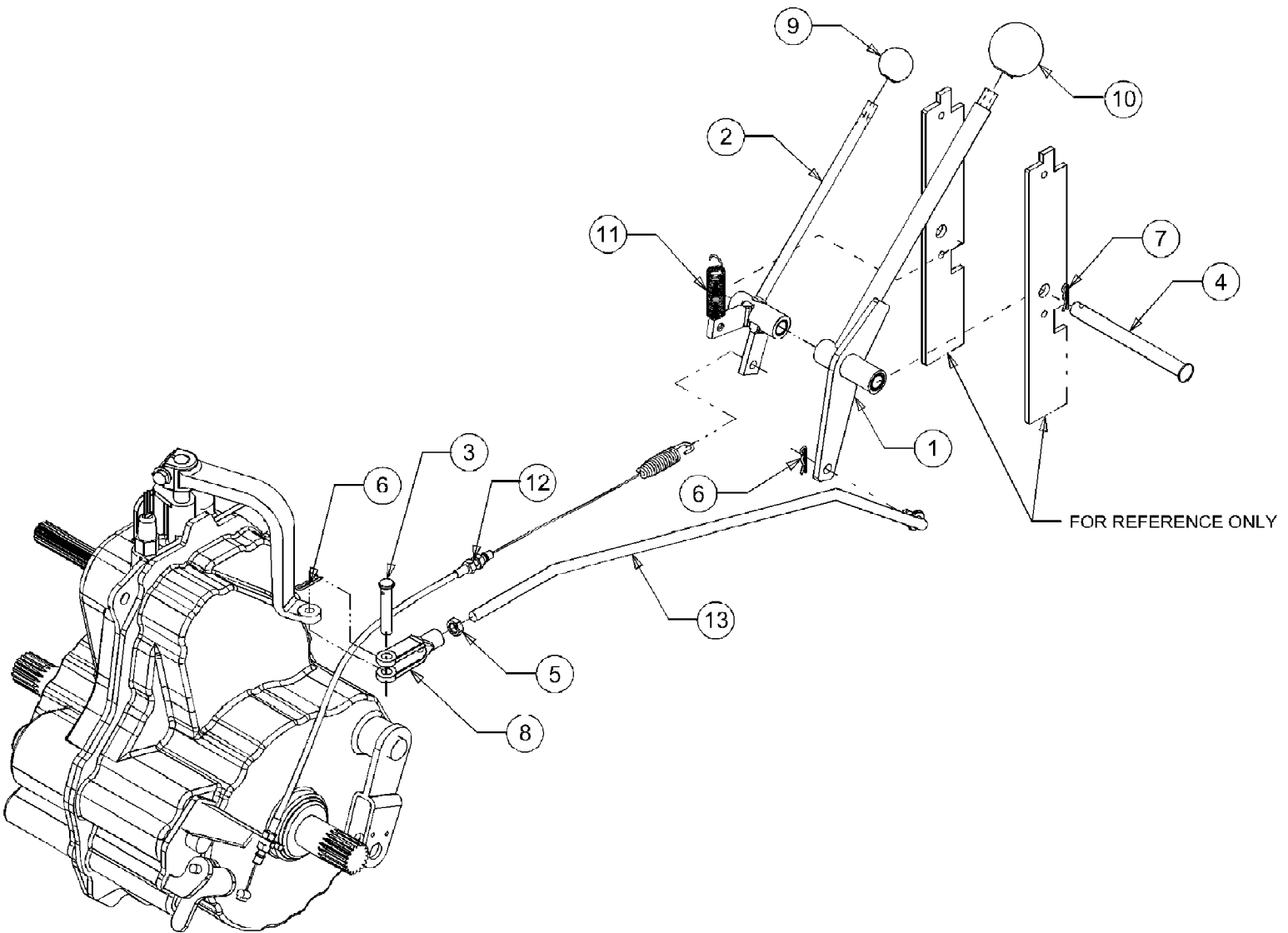
Ref #	Part Number	Qty	S/P/F	Description
1	607-0021	1		Lever Assembly, Parking Brake
2	710-04030	2		Screw, Hi-Lo, 1/4-20 x .5
3	711-04067	1	S	Pin, Clevis
4	711-1765	1		Rod, Brake Lock
5	714-0101	1	S	Pin, Cotter
6	714-0127	2	/P	Pin, Cotter 1/16 x .75
7	720-04001	1	/P	Knob, Ball
8	721-3049	1	/P	Cover, Protective
9	725-1657A	1	S	Snap Mount Switch, Interlock
10	732-1187	1		Spring, Extension, .637 x 2.972
11	736-0463	2	S	Washer, Flat .25 x .630 x .0515



Ref #	Part Number	Qty	S/P/F	Description
1	607-0038	1		Pedal Assembly, Brake
2	607-0039	1		Pedal Assembly, Throttle
3	611-0157	2		Shaft Assembly, Pedal Pivot
4	710-0528	2	/P	Hex Screw, 5/16-18, 1.25, Gr5
5	710-0875	2		Screw, Self-tapping, 1/4-20 x .75
6	712-3010	2	S	Nut, Hex Lock, 5/16-18, Gr5
7	712-3061	1	S	Lock Nut, Nylon, 3/8-24
8	735-04000	1		Pad, Pedal Brake



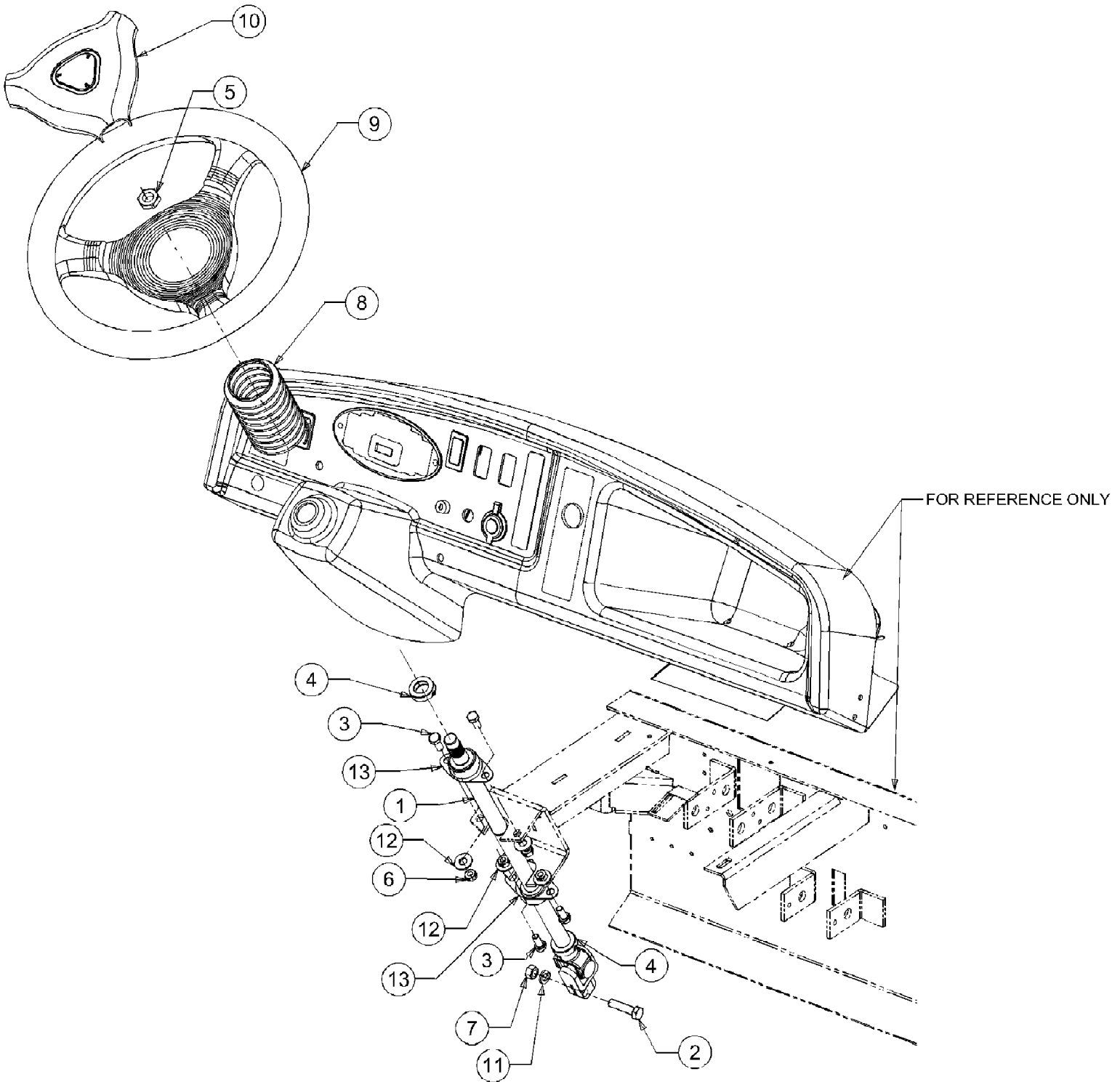
Ref #	Part Number	Qty	S/P/F	Description
1	607-0023	1		Plate Assembly, Seat, LH
2	712-3004A	8	/P	Nut, Flange Lock, 5/16-18, Gr5
3	757-0389	1		Track Assembly, Seat
4	757-04008	2	S	Seat
5	607-0022	1		Plate Assembly, Seat, RH
6	750-04023	4		Spacer, Seat
7	649-04002	2	S	Tube Assembly, Grab Handle
8	710-0216	8	/P	Hex Screw, 3/8-16 x .75, Gr5
9	712-0431	12	S	Nut, Flange Lock, 3/8-16
10	738-0140	4	S	Shoulder Screw, .435 x .178-5/16 x .56
11	710-3025	2	/P	Hex Screw, 5/16-18 x .625, Gr5
12	735-0271	3	S	Bumper .62 Dia x .3
13	710-0376	2	/P	Hex Screw 5/16-18 x 1.00 Gr 5



Ref #	Part Number	Qty	S/P/F	Description
1	647-0069B	1	/P	Lever Assembly, Transmission
2	647-0071A	1		Shifter Assembly, Differential Lock
3	711-04017	1		Pin, Clevis, .375 x 2.0
4	711-04068	1		Pin, Clevis, .5 x 5.375
5	712-3001	1	S	Nut, Jam, 3/8-24
6	714-0104	2	S	Pin, Cotter, .072 x 1.13
7	714-0115	1	S	Pin, Cotter, 1/8 x 1.0
8	719-3013	1	/P	Clevis, Adjustment
9	720-04002	1		Knob, Ball
10	720-0434	1		Knob, Ball
11	732-1187	1		Spring, Extension, .637 x 2.972
12	746-04004	1		Control Cable, Differential Lock
13	747-04010A	1		Shifter Rod, Transmission

642 6x4 Utility Vehicle (Fire & Rescue) (37AS642E100)
Steering (Lower)

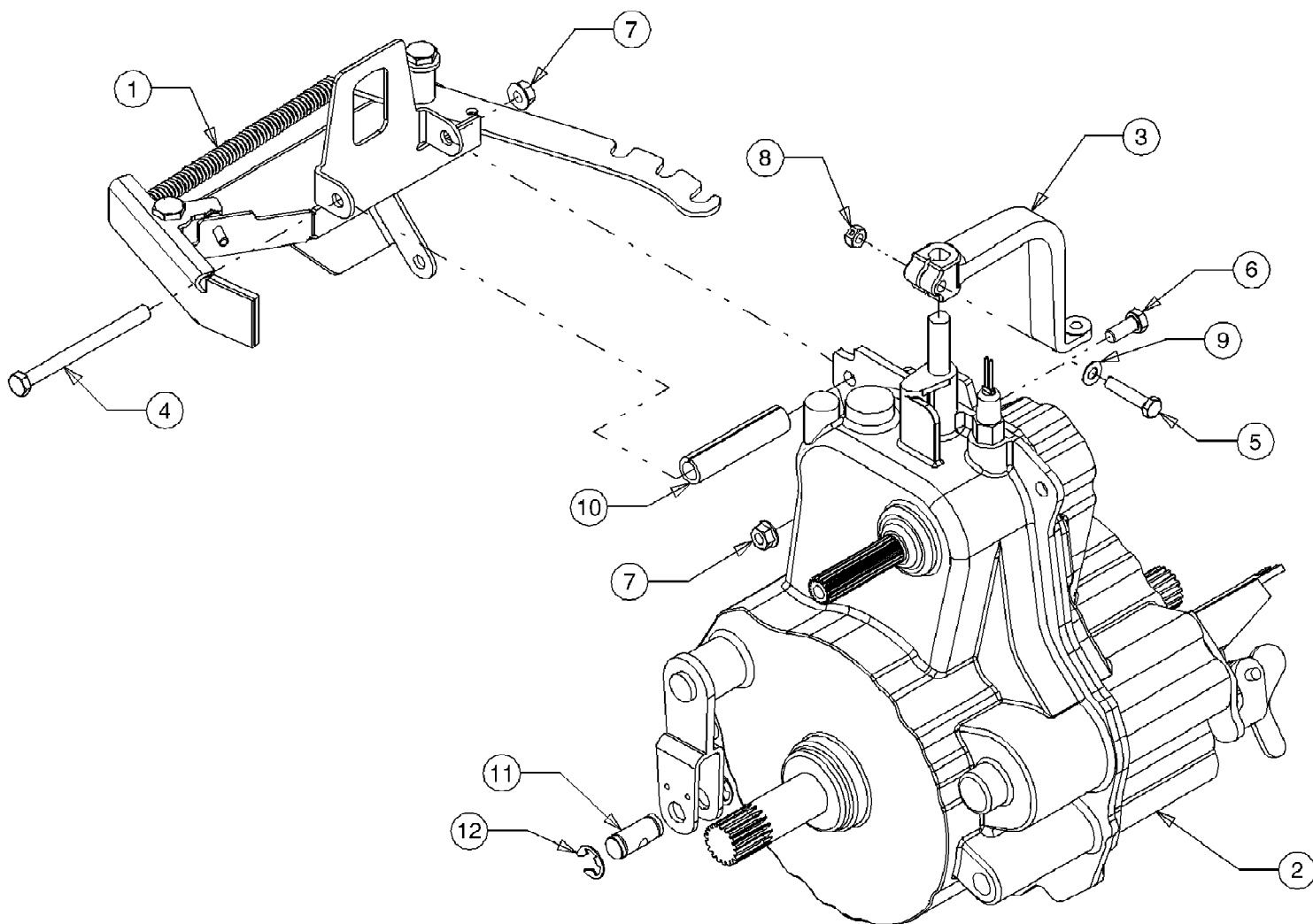
Ref #	Part Number	Qty	S/P/F	Description
1	617-0075A	1	S	Gear Assembly, Steering
2	707-04074	1	S	Steering Bracket, Sector Clamp
3	707-0417	1		Bracket, Steering Mounting
4	710-0514	4	/P	Hex Screw, 3/8-16, 1.00, Gr5
5	710-0520	2	/P	Hex Screw, 3/8-16, 1.50, Gr5
6	712-0431	6	S	Nut, Flange Lock, 3/8-16
7	735-0801	1		Grommet, Steering Shaft
8	741-0763	1		Bushing, Rubber



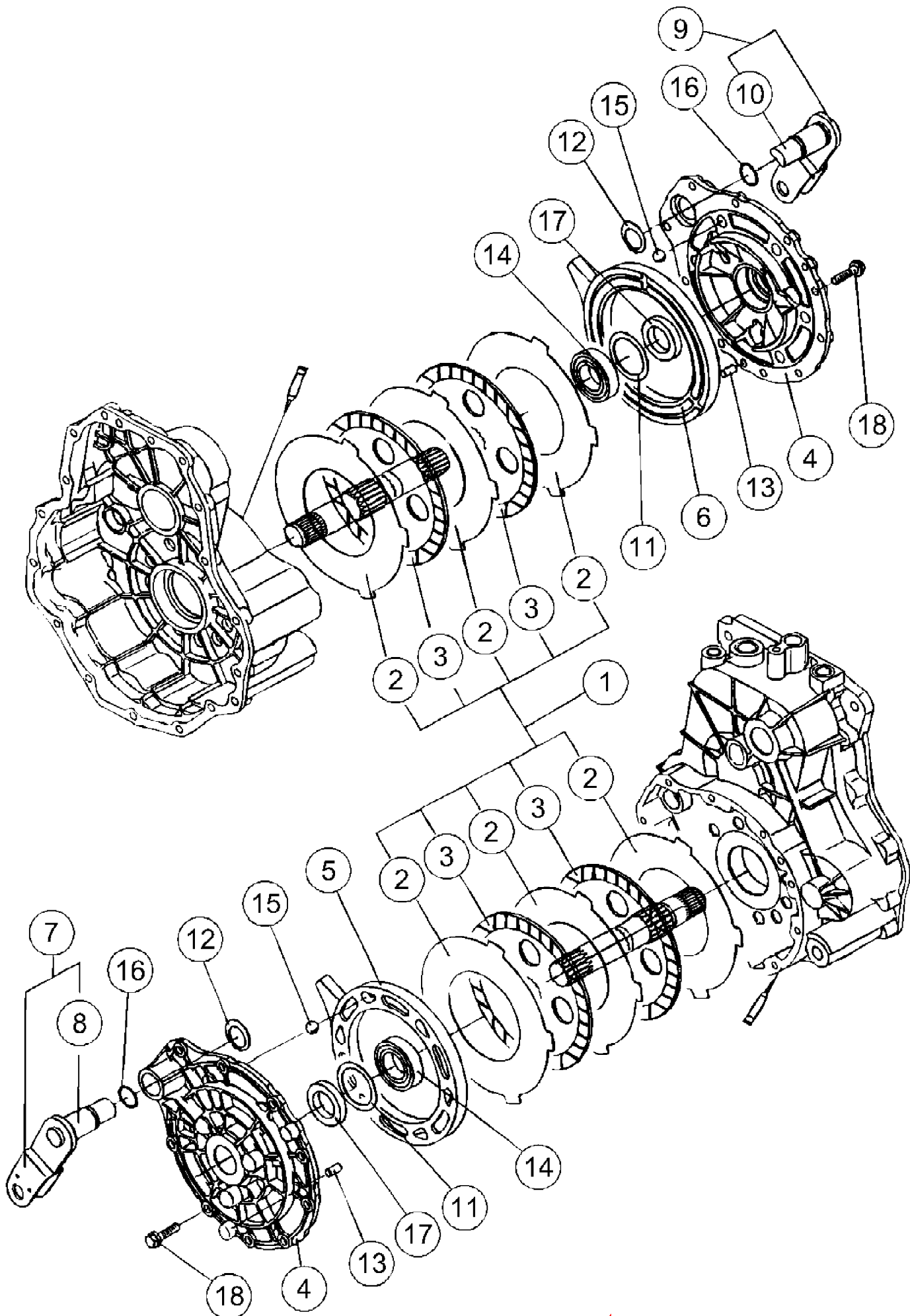
642 6x4 Utility Vehicle (Fire & Rescue) (37AS642E100)
Steering (Upper)

Page 80 of 100

Ref #	Part Number	Qty	S/P/F	Description
1	623-0027	1		Shaft Assembly, Steering
2	710-0520	1	/P	Hex Screw, 3/8-16, 1.50, Gr5
3	710-3008	4	/P	Hex Screw, 5/16-18, .75, Gr5
4	711-1774	2		Collar, .75
5	712-04001	1		Nut, Hex, M16-2, Class 8
6	712-3009	4	S	Nut, Hex Lock, 5/16-18
7	712-3017	1	S	Nut, Hex, 3/8-16, Gr8
8	731-0954	1	S	Bellow, Steering, 4.75 Lg
9	731-2848	1		Steering Wheel, Three-spoke
10	731-3210	1		Cover, Steering Wheel, Soft Grip
11	736-0169	1	S	Washer, Lock, 3/8, Regular Duty
12	736-0262	4	/P	Washer, Flat, .385 ID x .870 OD x .092
13	741-04000	2		Bearing, Flange, .75 ID, Self-Aligning

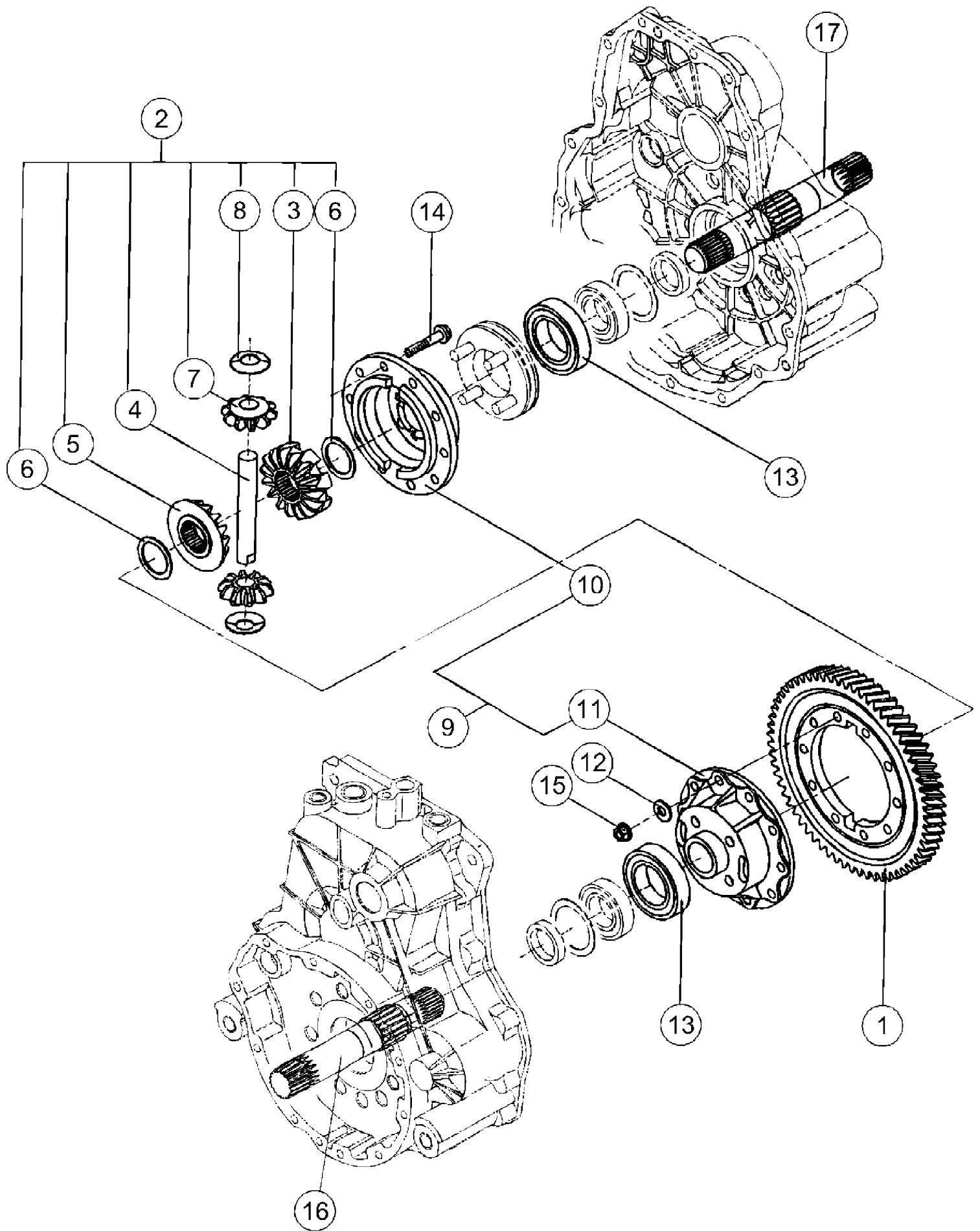


Ref #	Part Number	Qty	S/P/F	Description
1	~N/A	1		Shift Assembly, Interlock
2	618-0685	1	S	Transmission, Tuff Torq Model KT 35
3	707-0369	1		Lever, Transmission
4	710-0693	1	/P	Hex Screw, 3/8-16 x 4.50, Gr5
5	710-0805	1	/P	Hex Screw, 5/16-18 x 1.50, Gr5
6	710-3001	1	/P	Hex Screw, 3/8-16 x .880, Gr5
7	712-3005	2	S	Lock Nut, Hex Flange 3/8-16
8	712-3009	1	S	Nut, Hex Lock, 5/16-18
9	736-0278	1		Washer, Flat, .330 x .687 x .030
10	750-3235	1	/P	Spacer, .505 x .75 x 3.31
11	711-04024	2	S	Pin, .625 x 1.37
12	716-0106	4	/P	E-Ring, .625
	737-3120	1	/P/F	Drive System & Fluid
	607-04015	1		Lever-Clutch Brake w/Pad B/C Part not shown for Interlock Shift Assembly
	607-04017	1		Plate-Shift Interlock PLTD B/C Part not shown for Interlock Shift Assembly
	607-04018-0637	1	/P	BRKT-Shift Interlopowder Black Part not shown for Interlock Shift Assembly
	710-0788	1	/P	Screw-Tap 1/4-20 x 1.00 Part not shown for Interlock Shift Assembly
	912-0298	1	/P	Nut-Hex Jam 1/4-20 Part not shown for Interlock Shift Assembly
	712-3005	1	S	Nut-Hex Flange 3/8-16 Part not shown for Interlock Shift Assembly
	732-0814	1		Spring-Extension .56 Dia x 5.52 Part not shown for Interlock Shift Assembly
	936-0326	1	/P	Washer-FL Part not shown for Interlock Shift Assembly
	738-0213	1	/P	Screw-SHLD .498 Dia x 1.450-THD Part not shown for Interlock Shift Assembly
	741-0491	1		Bearing-Nyliner Part not shown for Interlock Shift Assembly

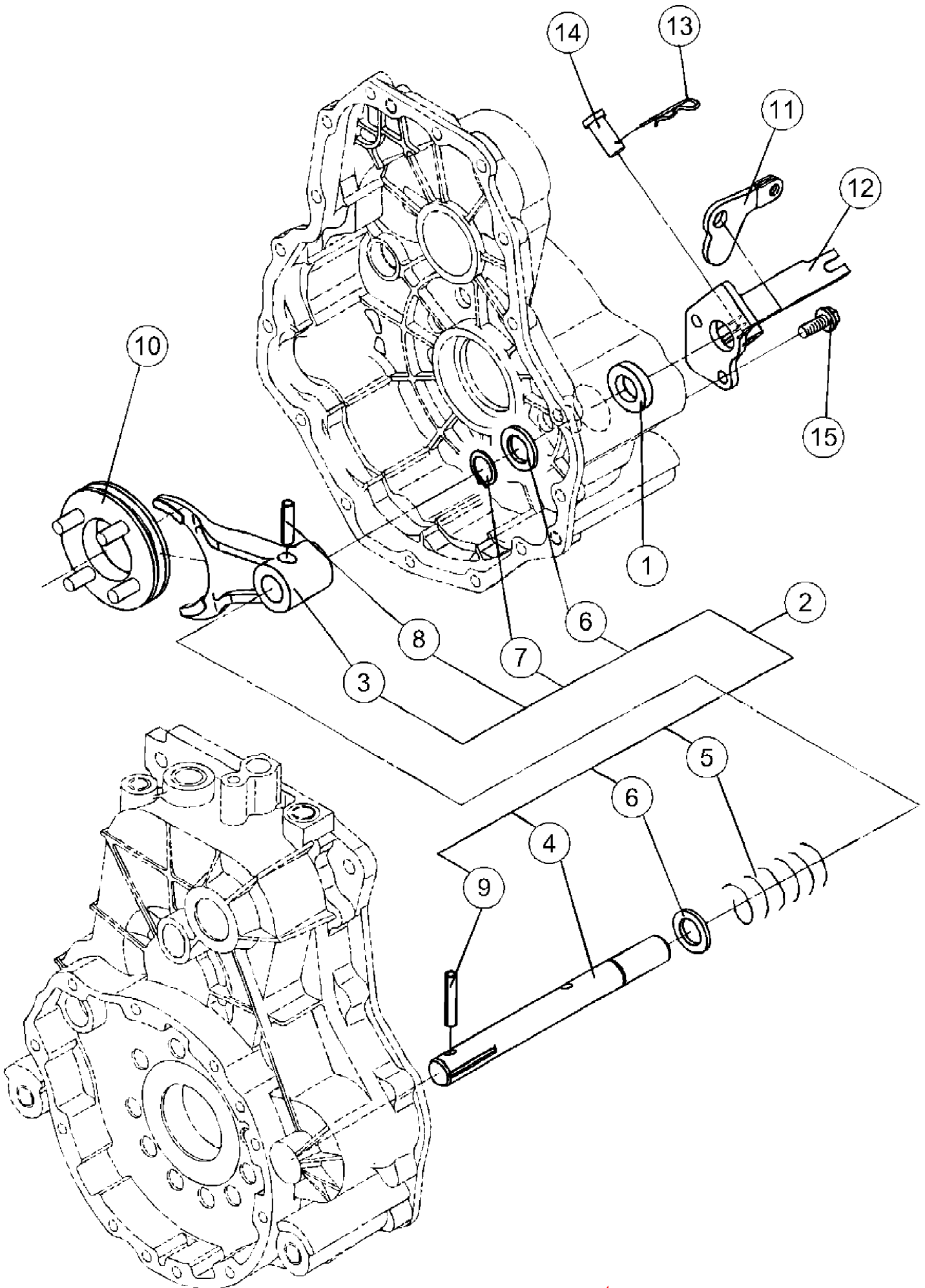


642 6x4 Utility Vehicle (Fire & Rescue) (37AS642E100)
Transmission - Brake Assembly

Ref #	Part Number	Qty	S/P/F	Description
1	TT-19216236300	1		Plate Kit
2	TT-19216236320	6		Steel Plate
3	TT-19455536511	4		Friction Plate, 175
4	TT-19216236310	2		Cover, Brake
5	TT-19216236330	1		Actuator, LH
6	TT-19216236340	1		Actuator, RH
7	TT-19216236400	1		Cam Lever Complete, LH
8	TT-19216236360	1		Cam Lever Shaft
9	TT-19216236410	1		Cam Lever, Complete, RH
10	TT-19216236360	1		Cam Lever Shaft
11	TT-19216236390	2		Washer, 42 x 54.6 x 1
12	TT-22242000250	2		Ring, 25
13	TT-22312080160	4		Pin, 8 x 16
14	TT-24101060064	2		Bearing, 6006
15	TT-24190160001	12		Ball, 1/2
16	TT-24311000210	2		Packing, P 21
17	TT-24421304708	2		Seal, TC304708
18	TT-26476080302	20		Tapping Screw, 8 x 30

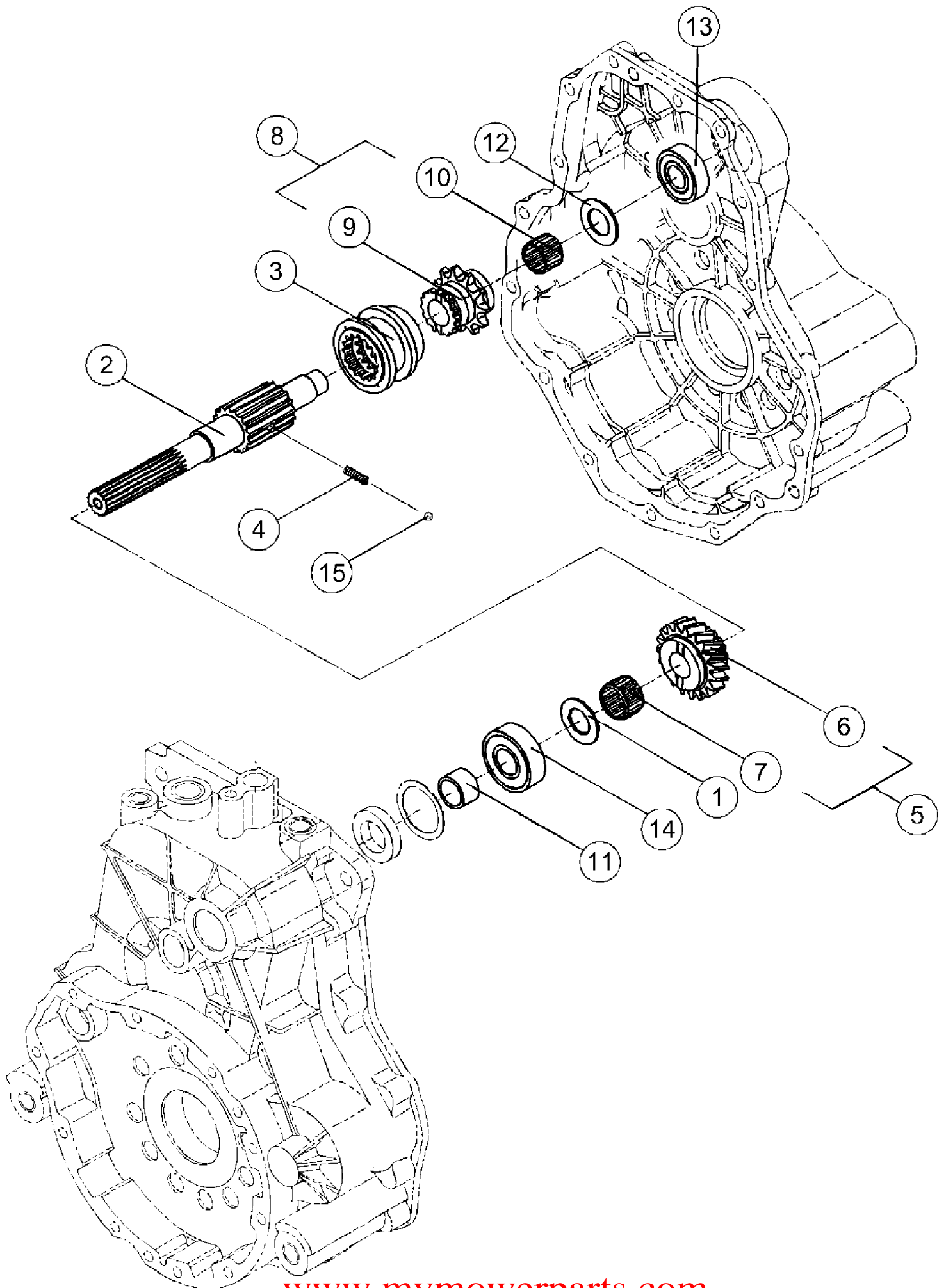


Ref #	Part Number	Qty	S/P/F	Description
1	TT-19216231460	1		Gear, 63H, Final
2	TT-19216231510	1		Differential, Gear Kit (Incl. Ref No. 3-8)
3	N/A	1		Gear (RR, Differential) Furnish TT-19216231510 Differential Lock Kit
4	N/A	1		Shaft, Differential Pinion Furnish TT-19216231510 Differential Lock Kit
5	N/A	1		Differential Side Gear, RH Furnish TT-19216231510 Differential Lock Kit
6	TT-19216231610	2		Washer, Differential Gear
7	N/A	2		Pinion, Differential Furnish TT-19216231510 Differential Lock Kit
8	TT-19451531850	2		Washer, Differential Pinion
9	TT-19216232100	1		Differential, Case Kit (Incl. Ref No. 10 & 11)
10	N/A	1		Case (R, Differential) Furnish TT-19216233100 Differential Case Kit
11	N/A	1		Case (L, Differential) Furnish TT-19216233100 Differential Case Kit
12	TT-22117080000	10		Washer, 8
13	TT-24101060084	2		Bearing, 6008
14	TT-26106080402	10		Bolt, 8 x 40
15	TT-26716080002	10		Nut, 8
16	TT-19216233612	1		Shaft, LH
17	TT-19216233622	1		Shaft, RH



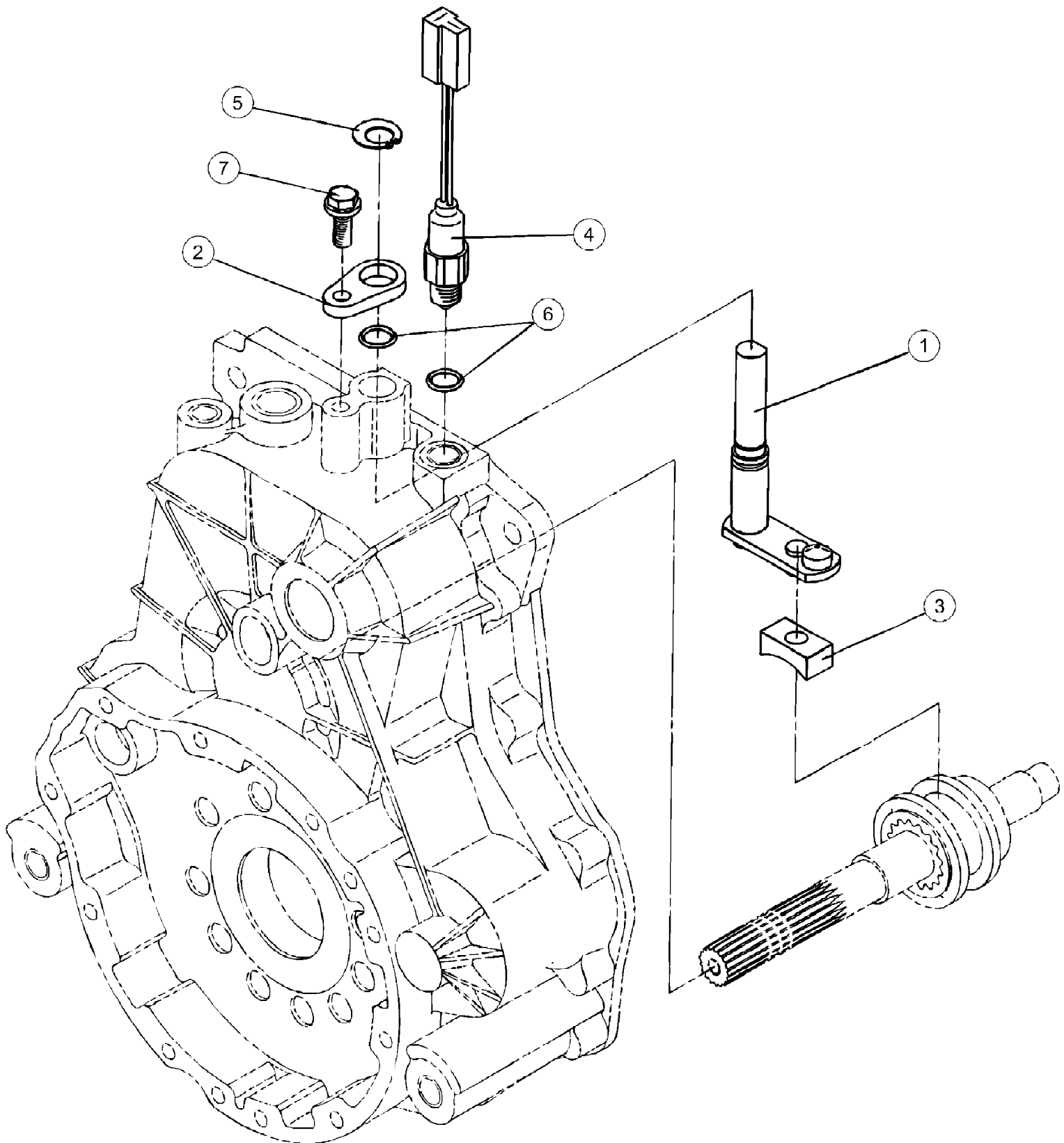
642 6x4 Utility Vehicle (Fire & Rescue) (37AS642E100)
Transmission - Differential Lock Assembly

Ref #	Part Number	Qty	S/P/F	Description
1	TT-19423527270	1		Seal, TC4 20 35 7
2	TT-19216233100	1		Differential Lock Kit
3	TT-19216233120	1		Fork, Differential Lock
4	TT-19216233131	1		Shaft, Differential Lock
5	TT-19430033160	1		Spring, Differential Lock
6	TT-19430033200	2		Spacer, 20 x 32 x 3.2
7	TT-22242000200	1		Ring, 20
8	TT-22351080032	1		Pin, 8.0A x 32
9	TT-22351080040	1		Pin, 8.0A x 40
10	TT-19485433110	1		Slider, Differential Lock
11	TT-19216233140	1		Arm, Differential Lock
12	TT-19216233150	1		Bracket, Differential Lock
13	TT-22360120000	1	S	Pin, 12
14	TT-22487120200	1		Pin, 12 x 20
15	TT-26476080202	2		Tapping Screw, 8 x 20



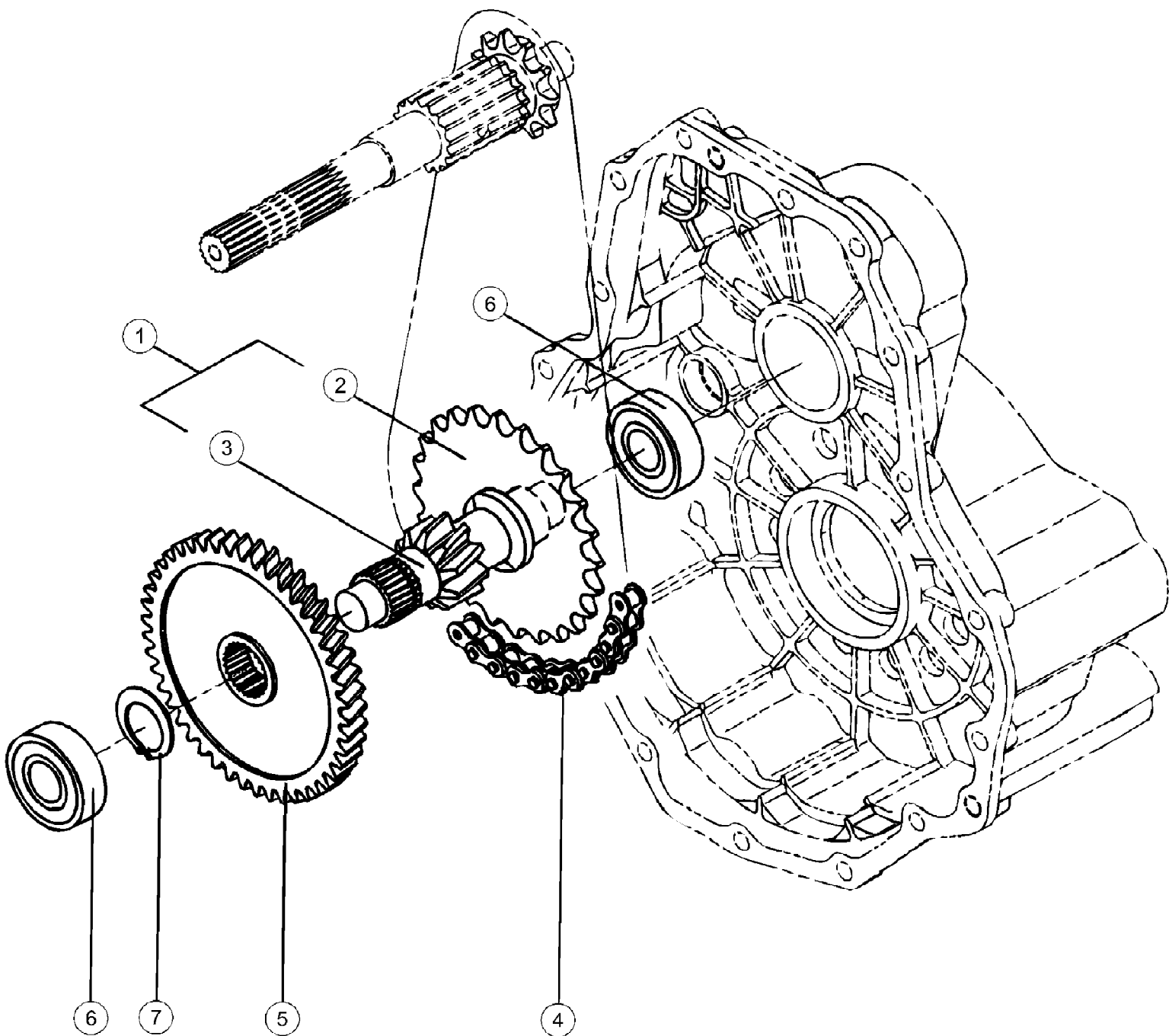
642 6x4 Utility Vehicle (Fire & Rescue) (37AS642E100)
 Transmission - Input Shaft Assembly

Ref #	Part Number	Qty	S/P/F	Description
1	TT-19216224680	1		Washer
2	TT-19216225212	1		Shaft-Input
3	TT-19216225341	1	S	Shifter
4	TT-19216225250	1		Spring 29.5
5	TT-19216225371	1	S	Gear Asm
6		1		Use Ref #5
7		1		Use Ref #5
8	TT-19216225281	1	S	Sprocket Asm
9		1		Use Ref #8
10		2		Use Ref #8
11	TT-19216225290	1		Sleeve
12	TT-1E619054160	1		Washer
13	TT-24101062034	1		Bearing
14	TT-19215931410	1		Bearing
15	TT-24190080001	2		Ball, 1/4



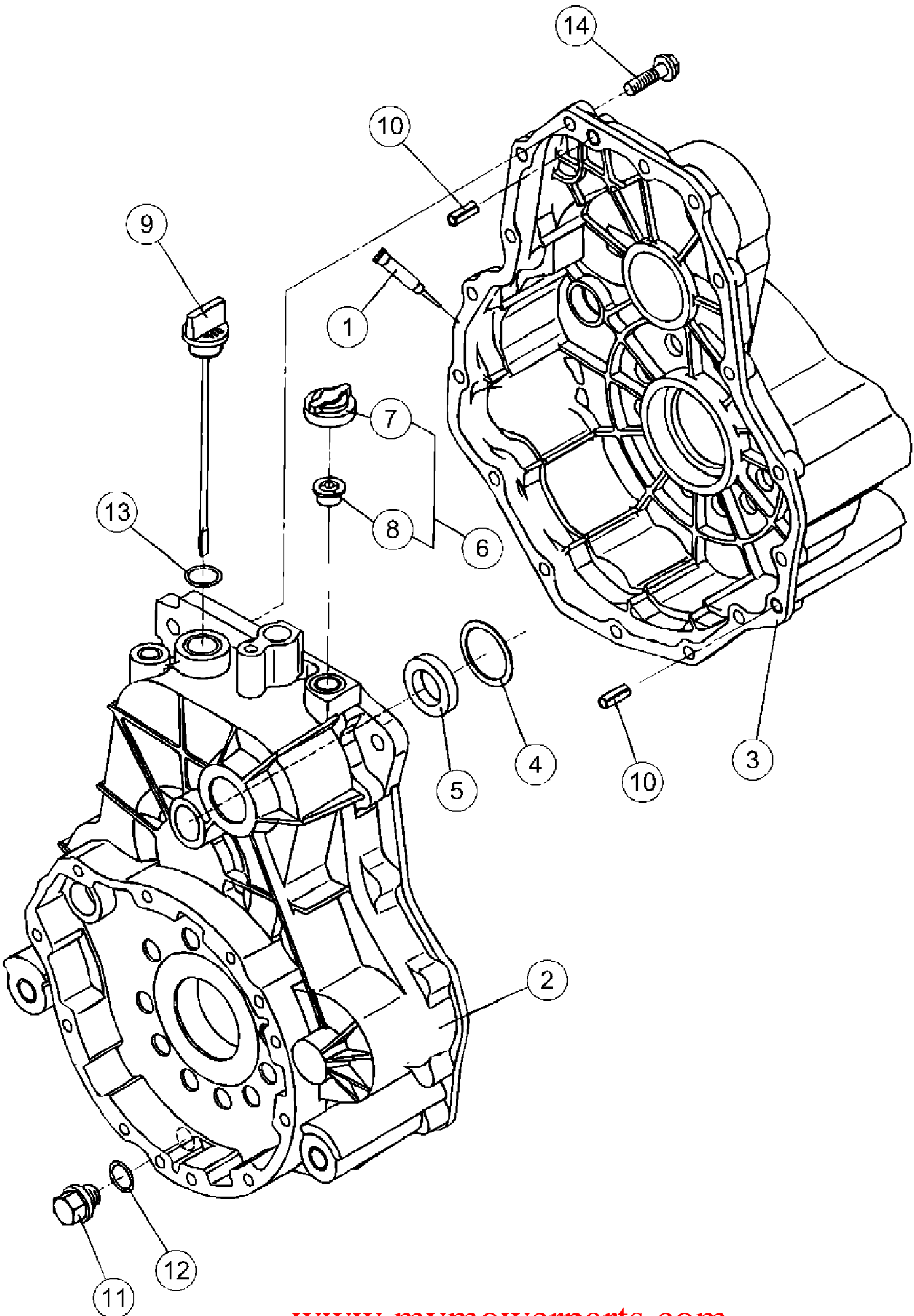
642 6x4 Utility Vehicle (Fire & Rescue) (37AS642E100)
Transmission - Range Shift Assembly

Ref #	Part Number	Qty	S/P/F	Description
1	TT-19216227111	1		Arm, Shift
2	TT-19216227680	1		Plate
3	TT-19216228300	1		Block, Shift
4	TT-19485552111	1		Switch
5	TT-22242000140	1		Ring, 14
6	TT-24311000125	2		Packing, P 12.5
7	TT-26476080202	1		Tapping Screw, 8 x 20



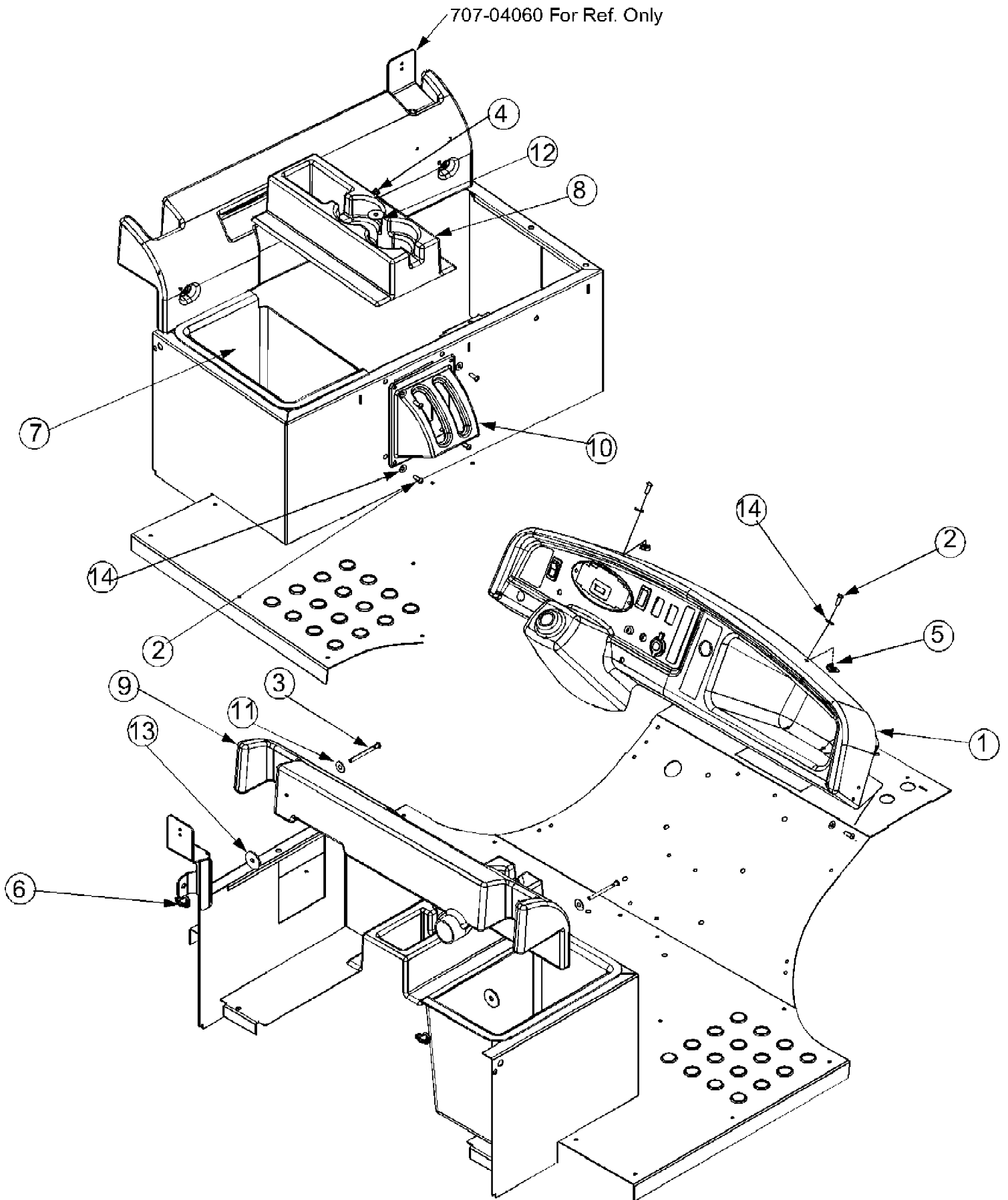
642 6x4 Utility Vehicle (Fire & Rescue) (37AS642E100)
Transmission - Reduction Assembly

Ref #	Part Number	Qty	S/P/F	Description
1	TT-19216225460	1		Reduction Shaft Assembly
2	TT-19216225420	1		Sprocket, 27
3	TT-19216225480	1		Shaft, Reduction
4	TT-19485525460	1		Chain, 40 x 34
5	TT-19216224190	1		Gear, 46H, Reduction
6	TT-19215931410	2		Bearing, 6204R, SH2
7	TT-22242000260	1		Ring, 26

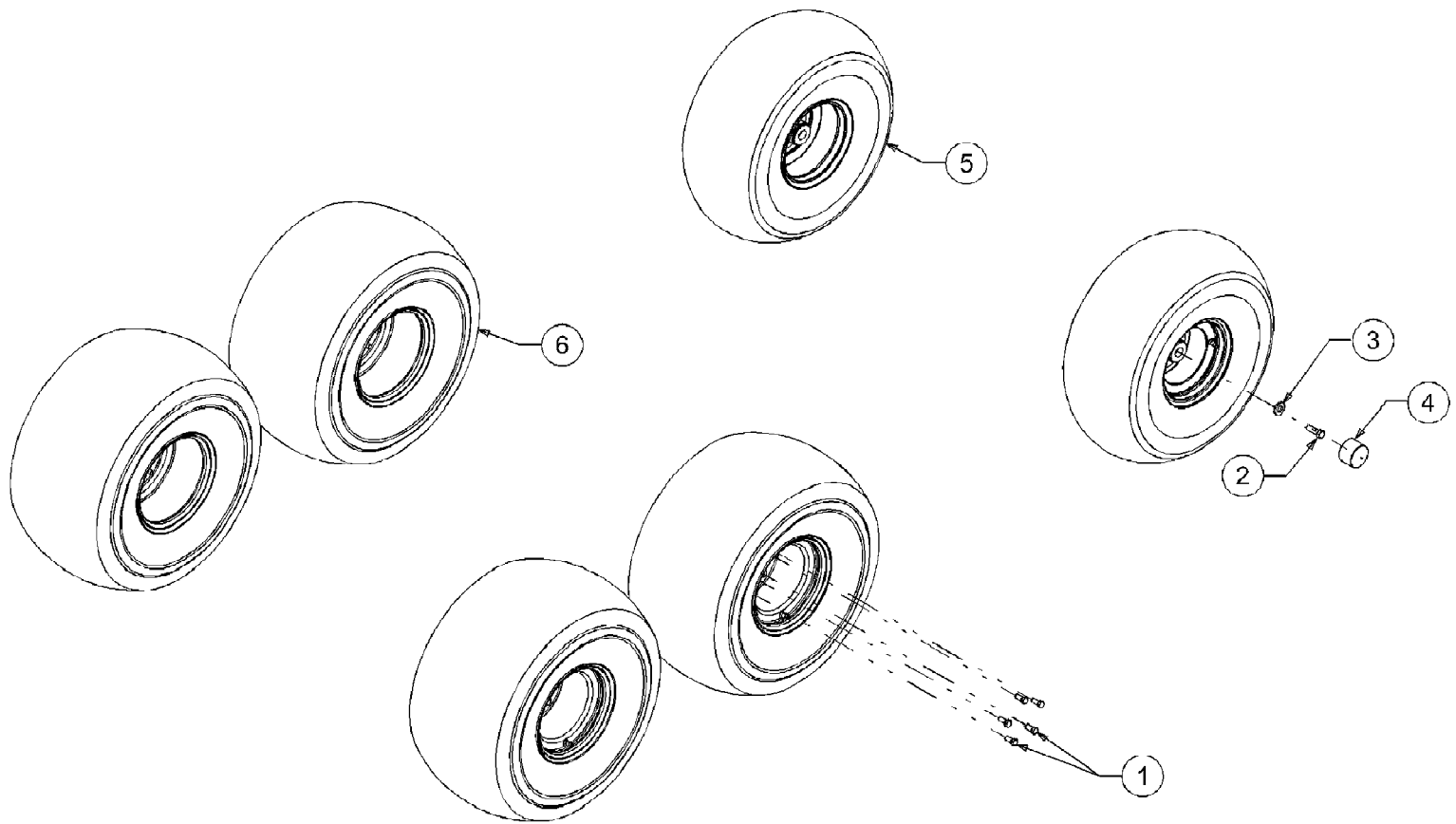


642 6x4 Utility Vehicle (Fire & Rescue) (37AS642E100)
 Transmission - Transaxle Case Assembly

Ref #	Part Number	Qty	S/P/F	Description
1	TT-19485524020	1		Sealant
2	TT-19216224111	1		Housing, Transaxle, Left
3	TT-19216224121	1		Housing, Transaxle, Right
4	TT-19485524150	1		Washer, 36 x 45.5 x 1.2
5	TT-19216224190	1		Seal, TC 30 40 8
6	TT-168T2024250	1	/P	Vent Valve replaces TT-19485924252
7	TT-19485924262	1		Cap, Vent Valve
8	TT-19485924270	1		Body, Vent Valve
9	TT-19216224291	1		Cap, Oil
10	TT-22351080020	2		Pin, 8 x 20
11	TT-23491140002	1		Plug, 14
12	TT-24311000160	1		Packing, P 16
13	TT-24311000180	1		Packing, P 18
14	TT-19216224160	16		Bolt, 28 x 10 x 9



Ref #	Part Number	Qty	S/P/F	Description
1	631-04095	1		Dash Assembly
2	710-04064	8	/P	Machine, Screw, 1/4-20 x .75
3	710-04066	2	/P	Screw, 1/4-20 x 3.0
4	710-0599	1	/P	Screw, Self-tapping, 1/4-20 x 0.500
5	712-04013	2		Nut, Retainer, 1/4-20
6	712-0397	2	S	Wing Nut, 1/4-20 (w/ Bell Washer)
7	731-04033A	1	S	Tool Box
8	731-2648	1		Console, Cup Holder
9	731-2952	1		Panel, Airbox Cover
10	731-2953A	1	S	Panel, Shift Cover
11	736-0195	2	/P	Washer, Flat, .3125 x .875 x .04
12	736-04004	3		Flat Washer, .350 x 1.25 x .06
13	736-04017	2		Washer, Rubber, .375 x 1.5 x 1.25
14	736-3020	8	S	Washer, Flat, .271 x .630 x .065



Ref #	Part Number	Qty	S/P/F	Description
1	710-04009	20		Hex Screw, 7/16-20 x 1.5, Gr5
2	710-3181	2	/P	Hex Screw, 1/2-13 x 1.5, Gr5
3	736-04019	2		Washer, Flat, .531 x 1.25 x .181
4	731-04029	2		Dust Cover
5	634-04035	1		Wheel Assembly, RH 22 x 11 x 10 EMT (AT)
5	634-04036	1		Wheel Assembly, LH 22 x 11 x 10 EMT (AT)
6	634-04108	2		Wheel Assembly, RH 25 x 11 x 10 EMT (AT)
6	634-04109	2		Wheel Assembly, LH 25 x 11 x 10 EMT (AT)