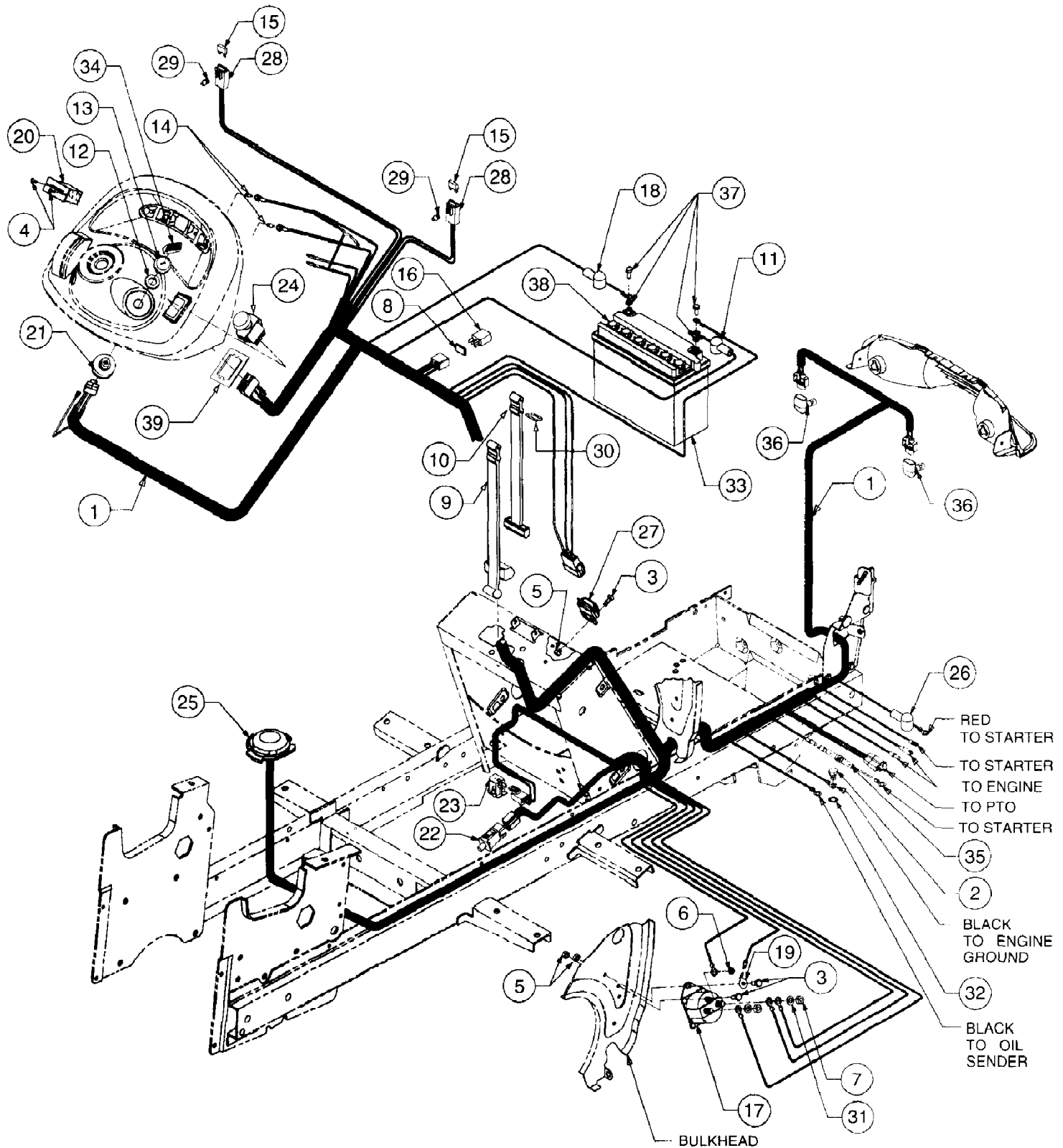


2165 Tractor S/N 326,006 & Up
Air Cleaner

Page 2 of 75

Ref #	Part Number	Qty	S/P/F	Description
1	BS-805406	2	S	Screw, Sems
2	BS-805655	1	S	Gasket, Air Cleaner
3	BS-807796	1	S	Bracket, Air Cleaner
4	BS-807857	1	S	Base, Air Cleaner
5	BS-394018	1	S	Cartridge, Air Cleaner
6	BS-807862	1	S	Cover, Air Cleaner
7	BS-491875	1	S	Knob, Air Cleaner
8	BS-805406	1	S	Screw, Sems
9	BS-805057	2	S	Screw, Sems
10	BS-272490	1	S	Element, Foam
11	BS-807797	1	S	Shield Assembly
12	BS-805631	1	S	Plate, Air Cleaner
13	BS-805632	1	S	Tube, Air Inlet
14	777D02391	1		Label, V-Twin Engine



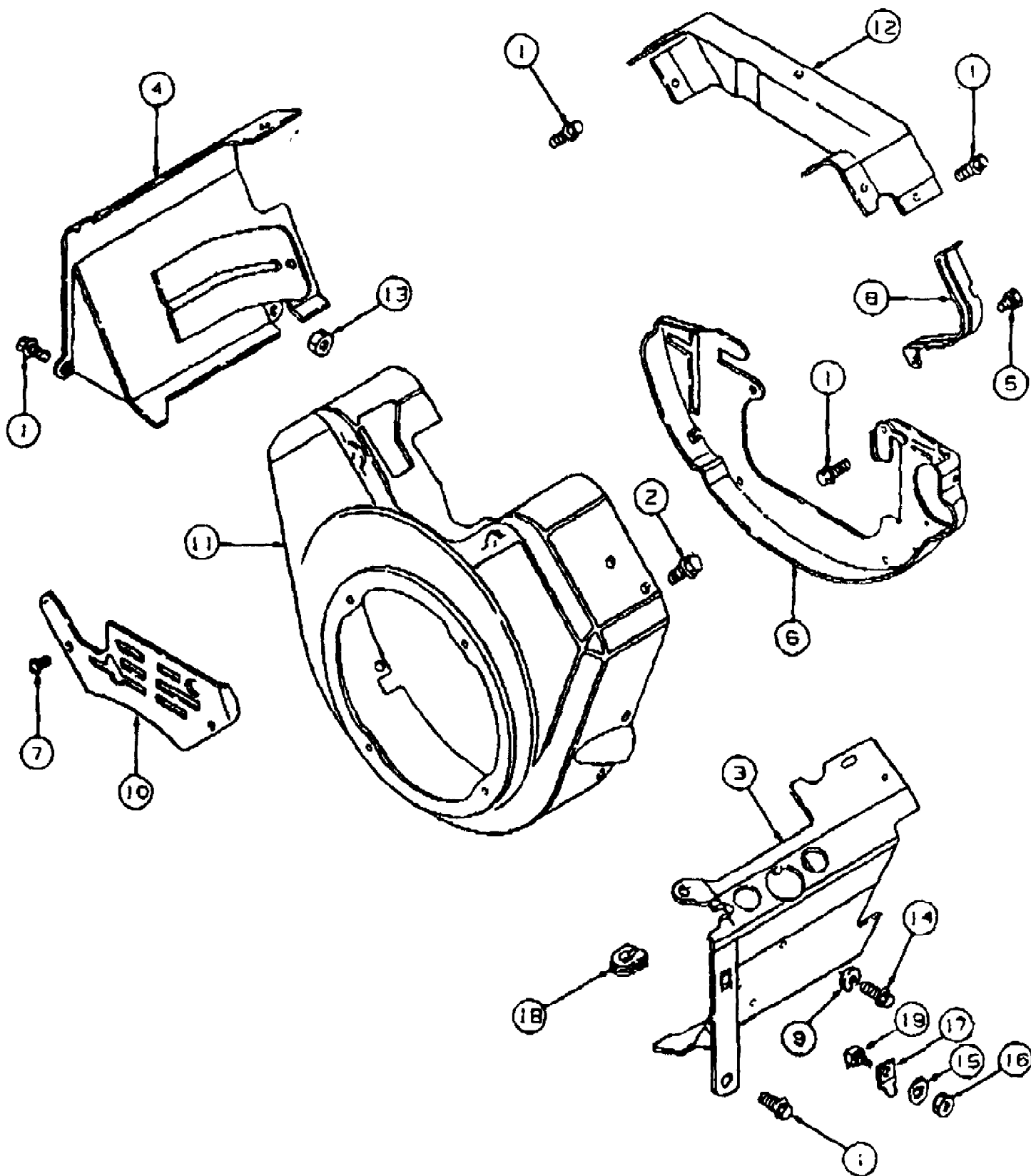
2165 Tractor S/N 326,006 & Up
Battery, Electrical Components And Switches

Page 4 of 75

Ref #	Part Number	Qty	S/P/F	Description
1	629-3021	1	S	Wire Harness, Main S/N F309G and prior
	629-3067	1	S	Wire Harness, Main S/N G019G and after
	725-0157	4	/P	Tie, Self-Clinch Cable
	726-0154	5	S	Tie, Pushmount
	726-3055	9		Clip, Cable
2	710-0168	1	/P	Screw, Hex Cap, 3/8-16 x .50
3	710-0751	3	/P	Screw, Hex Cap, 1/4-20 x .625 GR5
4	710-0936	2		Screw, Truss Hd Tapp, #6 x .62
5	712-0271	3	/P	Nut, Hex Sems, 1/4-20
6	712-0349	1	/P	Nut, Hex, #10-32
7	712-3010	2	S	Nut, Hex, 5/16-18 GR5
8	721-0342	1	S	Gasket, Silicone
9	723-0445	1	S	Strap, Battery Retainer [S/N 359001 and Above - used with 725-1707B battery (Incl. Ref. 30)]
10	723-3064	1		Strap, Battery Retainer [S/N 359000 and Below - used with 753-0608 battery (Incl. Ref. 30)]
11	725-0340	1		Cover, Terminal Black
12	725-1346	1	S	Nut, Ignition Switch
13	725-1347	1	/P	Cap, Ignition Switch
14	725-1365	2	S	Bulb, Indicator
15	725-1381	2	S	Fuse, 20 Amp
16	725-1648	1	S	Relay
17	725-3001	1	S	Solenoid, Starter
18	725-3007A	1	/P	Cover, Terminal Red
19	725-3147	1		Lug, Quick Connect
20	725-3159	1	S	Hour Meter
21	725-3163	1	S	Switch, Ignition
22	725-3164A	1	S	Switch, Interlock (Brake)
23	725-3166	1	S	Switch, Snap Mount - Normally Closed
24	725-3233	1	S	Switch, PTO
25	725-3234	1	S	Switch, Seat
26	725-3237	3		Cover, Terminal Red
27	725-3251	1	S	Module, Voltage Sensor
28	729-0207	2		Holder, Fuse (S/N 359000 and Below)
	729-0357	2		Holder, Fuse w/Mounting Clip (S/N 359001 and Above)
29	729-0209	2		Clip, Fuse Holder Mounting (S/N 359000 and Below)
30	732-0696	1		Hook, Wire Rectangular
31	736-0607	2	/P	Washer, Lock, 5/16
32	736-0148	1	/P	Washer, External Lock, 3/8
33	753-0608	1	/P	Battery (S/N 359,000 and below)
	725-1707B	1	S	Battery (S/N 359,001 thru 389,000) (S/N IO16G thru KO37G)
	725-1707C	1	S	Battery (S/N K037G thru IO18G)
	725-1706	1	S	Battery (S/N IO18G to present)
34	759-3476A	1	S	Key, Ignition (Set of 2)
35	759-3689	1	S	Diode Assembly w/Lead
36	759-3693	2	S	Bulb, Head Lamp

2165 Tractor S/N 326,006 & Up
Battery, Electrical Components And Switches

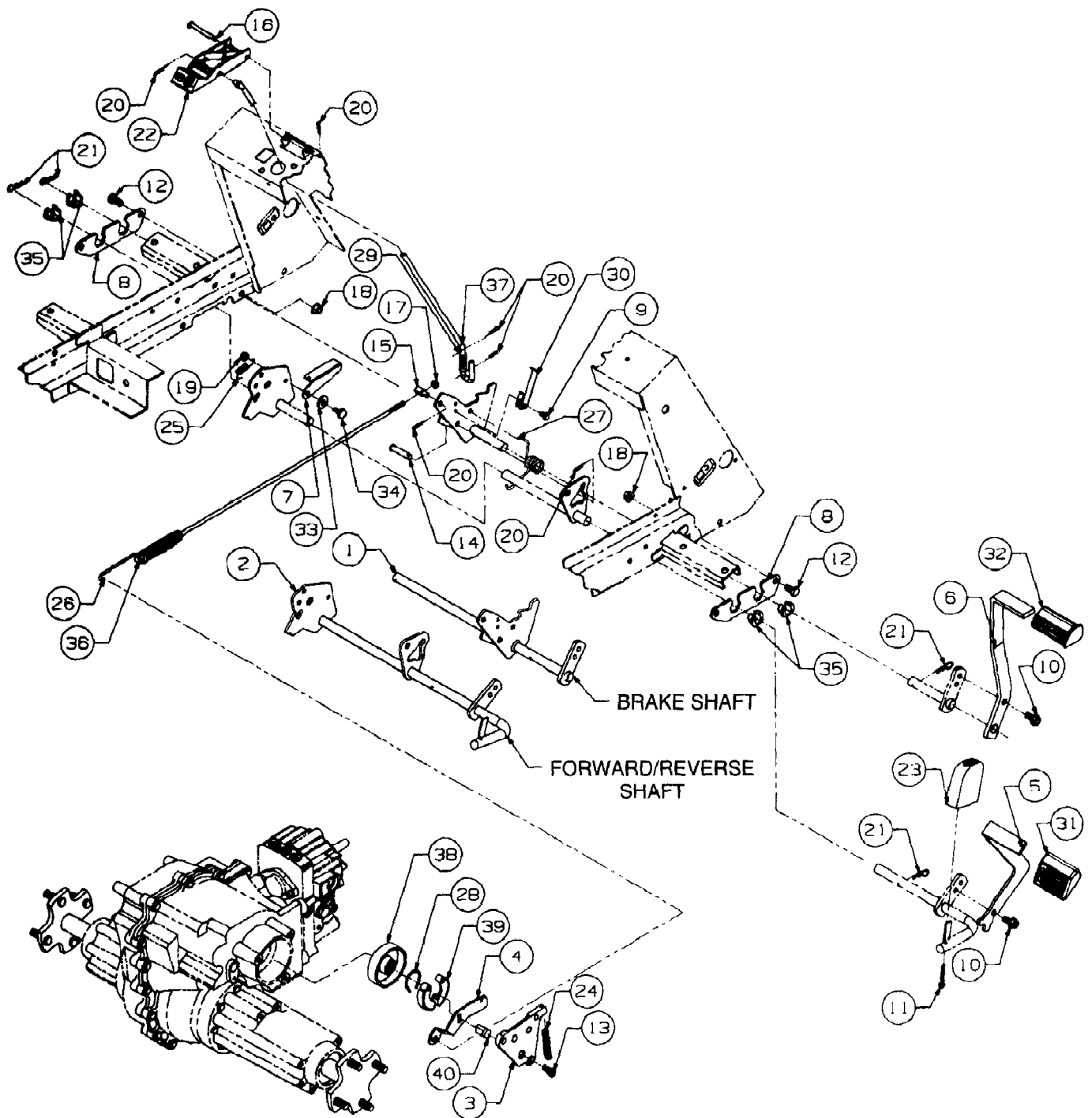
Ref #	Part Number	Qty	S/P/F	Description
37	759-3749	1	/P	Battery Cable Hardware (Set of 2) (S/N 359000 and Below)
	710-3015	2	/P	Screw (S/N 359001 & Above)
	712-0271	2	/P	Sems Nut (S/N 359001 & Above)
38	759-3750	6		Cap, Battery (Used w/753-0608 Battery)
	725-0691	6		Cap, Batt. (Used w/725-1707B Battery)
39	783-0462	1	/P	Bracket, PTO Switch Retainer



2165 Tractor S/N 326,006 & Up
Blower Housings

Page 7 of 75

Ref #	Part Number	Qty	S/P/F	Description
1	BS-805406	21	S	Screw, Sems
2	BS-805025	1	S	Screw, Sems
3	BS-808099	1		Cover (Cylinder #1)
4	BS-808100	1		Cover (Cylinder #2)
5	BS-805260	2	S	Screw, Sems
6	BS-807663	1	S	Plate, Back
7	BS-805009	2	S	Screw, Sems
8	BS-805505	1		Shield
9	BS-805449	2		Washer, Lock
10	BS-805841	1	S	Cover, Carburator
11	BS-807898	1	S	Housing, Blower
12	BS-807898	1	S	Cover, Valley Extension
13	BS-805383	1	S	Nut, Hex
14	BS-805448	2	S	Screw, Mtg
15	BS-92791	1	S	Washer, Lock, Internal Tooth
16	712-0142	1	/P	Nut, Hex
17	BS-93722	1	S	Terminal, Ground
18	BS-805641	2	S	Grommet, Cable
19	BS-398525	1	S	Insulator Assy,

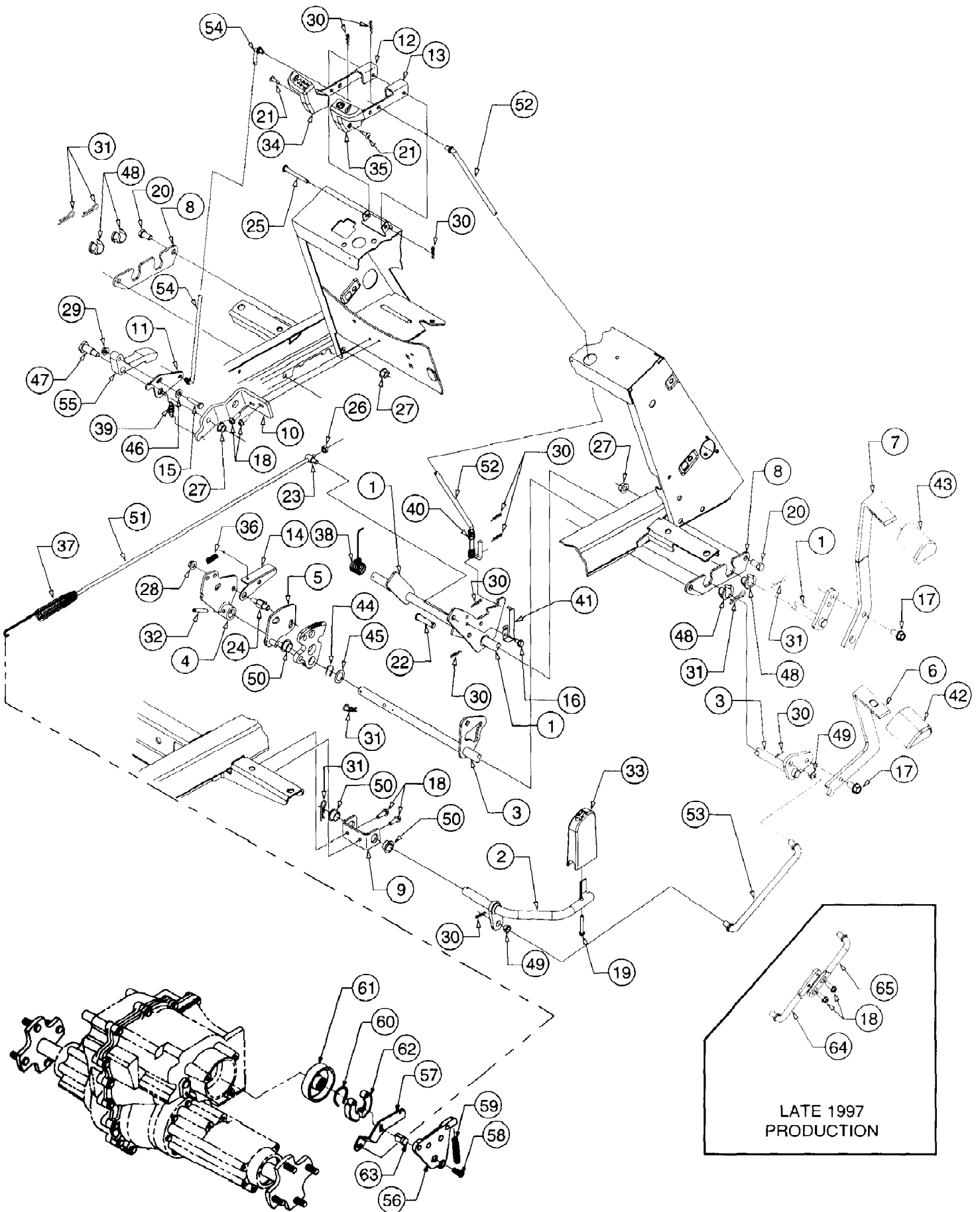


2165 Tractor S/N 326,006 & Up
Brake And Control Pedals Serial Number 359,000 And Below

Page 9 of 75

Ref #	Part Number	Qty	S/P/F	Description
1	603-0321	1		Shaft Assy, Brake
2	603-0322	1		Shaft Assy, Forward/Reverse
3	618-3060	1	S	Plate, Brake
4	703-2191	1		Arm, Brake
5	703-2570-0498	1	S	Pedal, Forward
6	703-2573-0498	1	S	Pedal, Brake
7	703-2582	1	S	Actuator, Reverse Switch
8	703-2804	2		Plate, Bearing Mounting
9	710-0599	1	/P	Screw, Hex Wash Tapp, 1/4 x .50 Lg
10	710-0623	2	/P	Screw, Hex Wash Tap, 3/8-16 x .75 Lg
11	710-0796	1	/P	Screw, Truss Mach Tapp, #12 x 1.5
12	710-3000	2	S	Screw, Hex Cap, 3/8-16 x .75 GR5
13	710-3262	1		Screw, Low Hd Cap, 3/8-16 x .75
14	711-0415	1	S	Pin, Clevis, 3/8 OD x 1.62 Lg
15	711-0736	1	/P	Ferrule, Adjustment
16	711-3295	1	S	Pin, Clevis, 1/4 OD x 2.38 Lg
17	712-0271	1	/P	Nut, Hex Sems, 1/4-20
18	712-0431	2	S	Nut, Hex Flanged Lock, 3/8-16
19	712-3027	1	S	Nut, Hex Flange Lock, 1/4-20
20	714-0104	6	S	Pin, Internal Cotter, 5/16 Dia x 1.12
21	714-0145	4	S	Pin, Internal Cotter, 3/8 Dia x 1.625
22	731-3165	1	S	Lever, Park Brake
23	731-3167	1	S	Pad, Reverse Pedal
24	732-0152	1		Spring, Compression
25	732-0418	1		Spring, Extension, .38 OD x 2.10 Lg
26	732-0463	1	S	Spring, Extension, .75 OD x 5.0 Lg
27	732-0756A	1	S	Spring, Torsion
28	732-3077	1		Spring, Brake
29	732-3099	1		Spring, Compression, .5 OD x 2.23
30	732-3117	1		Actuator, Neutral Switch
31	735-3048	1		Pad, Forward Pedal
32	735-3049	1	S	Pad, Brake Pedal
33	736-0185	1	S	Washer, Flat, .406 x .75 x .063
34	738-0255	1	S	Bolt, Shoulder, .375 Dia x .181 Lg
35	741-3065	4	S	Bearing, Hex Flange Split
36	747-3216	1		Rod, Brake
37	747-3219	1		Rod, Park Brake Engagement
38	761-3019	1		Drum, Brake
39	761-3020	1	S	Shoe, Brake
40	761-3028	1		Actuator, Brake Shoe

2165 Tractor S/N 326,006 & Up
Brake And Control Pedals Serial Number 359,001 And Above



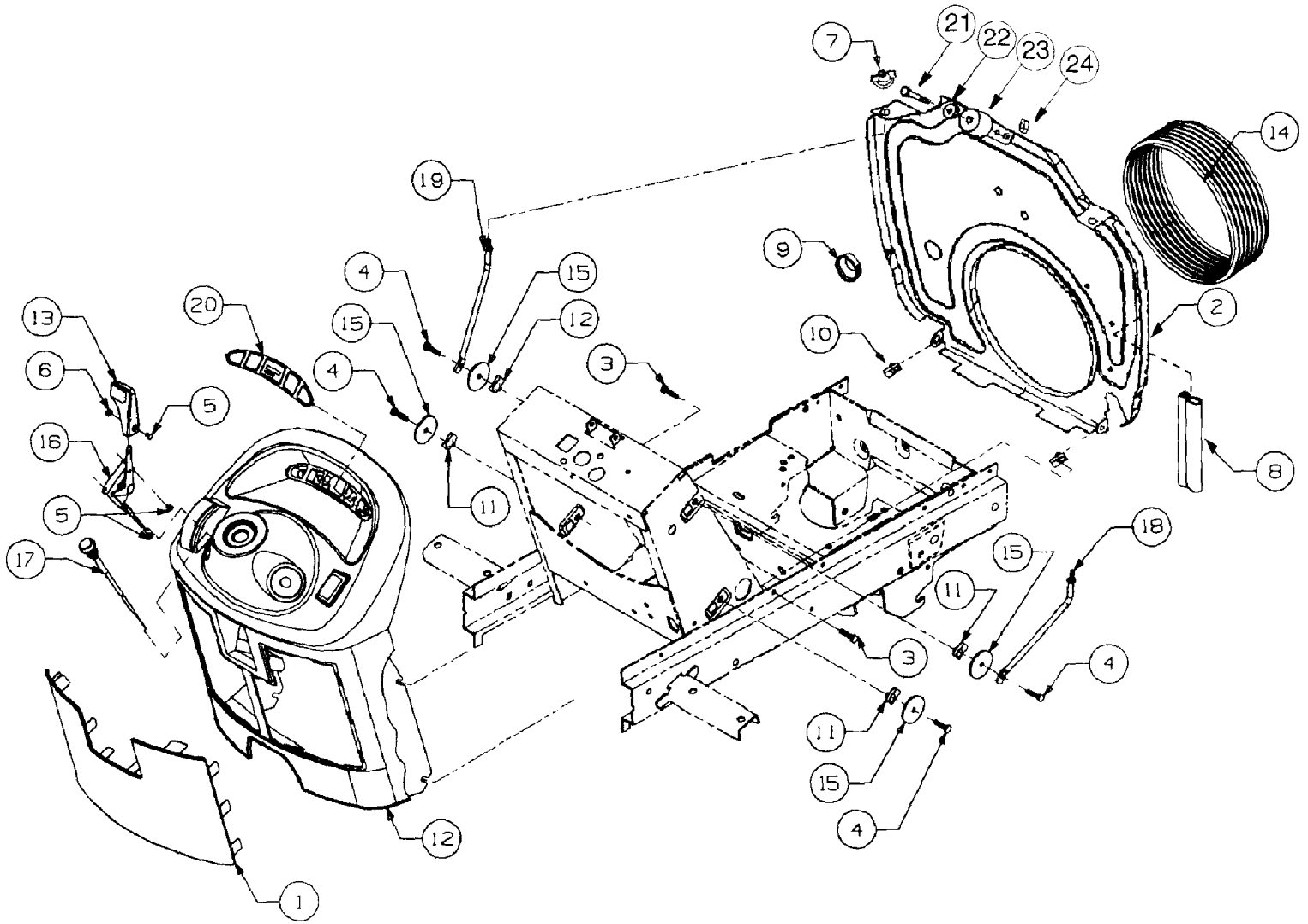
2165 Tractor S/N 326,006 & Up
Brake And Control Pedals Serial Number 359,001 And Above

Page 11 of 75

Ref #	Part Number	Qty	S/P/F	Description
1	603-0321A	1		Shaft Assy, Brake
2	603-0412	1		Pedal Assy, Reverse
3	603-0413	1		Shaft Assy, Forward/Reverse (Mfg Date I308 and Before)
	603-0697	1		Shaft Assy, Forward/Reverse (Mfg Date J018 and After)
4	603-0419	1		Cam Assy, Control
5	603-0421	1	S	Plate Assy, Disengagement
6	703-2570A-0498	1	S	Pedal, Forward
7	703-2573A-0498	1	S	Pedal, Brake
8	703-2804	2		Plate, Bearing Mounting
9	703-2938	1		Bracket, Reverse Pivot
10	703-2941	1		Bracket, Cruise
11	703-2942	1		Plate, Rod Adjustment
12	703-2962	1		Lever, Cruise
13	703-2963	1	S	Lever, Brake Lock
14	703-2965	1	S	Actuator, Reverse Switch
15	710-0106	1	/P	Screw, Hex Cap, 1/4-20 x 1.25
16	710-0599	1	/P	Screw, Hex Wshr Tap 1/4-20 x .5
17	710-0623	2	/P	Screw, Hex Wshr Tap 3/8-16 x .75
18	710-0642	6	/P	Screw, Hex Wshr Tap 1/4-20 x .75
19	710-0796	1	/P	Screw, Truss Mach, #12 x 1.5
20	710-0216	2	/P	Screw, Hex Cap, 3/8-16 x .75 GR5
21	710-3009	2	/P	Screw, Phil Hd Pan, #10-24 x .75
22	711-0415	1	S	Pin, Clevis, 3/8 x 1.62
23	711-0736	1	/P	Ferrule, Adjustment, 1/4-20 Thrd
24	711-1138	1		Stud, Actuator
25	711-3295	1	S	Pin, Clevis, .25 x 2.38 Lg
26	712-0271	1	/P	Nut, Hex Sems, 1/4-20
27	712-0431	3	S	Nut, Hex Flange Lock, 3/8-16
28	712-3004A	1	/P	Nut, Hex Flange Lock, 5/16-18
29	712-3027	1	S	Nut, Hex Flange Lock, 1/4-20
30	714-0104	9	S	Pin, Int Cotter, 5/16 Dia x 1.12 Lg
31	714-0145	6	S	Pin, Int Cotter, 3/8 Dia x 1.62
32	715-0114	1	S	Pin, Spiral Spring, 1/4 x 1.5
33	731-3205	1	S	Pedal, Reverse
34	731-3206	1		Knob, Cruise
35	731-3207	1		Knob, Brake Lock
36	732-0418	1		Spring Extension .38 OD x 2.1
37	732-0463	1	S	Spring, Extension
38	732-0756A	1	S	Spring, Torsion
39	732-0824	1	S	Spring, Ext, .437 OD x 1.32
40	732-3099	1		Spring, Compression, .50 x 2.23
41	732-3117	1		Spring, Switch Actuator
42	735-3048	1		Pad, Forward Foot Control
43	735-3049	1	S	Pad, Brake Foot
44	736-0174	1	/P	Washer, Wave, .625 x .885 x .015
45	736-0349	1	S	Washer, Flat, .635 x 1.0 x .020
46	736-0463	1	S	Washer, Flat, 1/4 x .63 x .051
47	738-0145	1	S	Shoulder Bolt, .50 OD x .840
48	741-3065A	4	S	Bearing, Hex Flange Split
49	741-3073	2	S	Bearing, Flange, .375 x .58 x .25

2165 Tractor S/N 326,006 & Up
 Brake And Control Pedals Serial Number 359,001 And Above

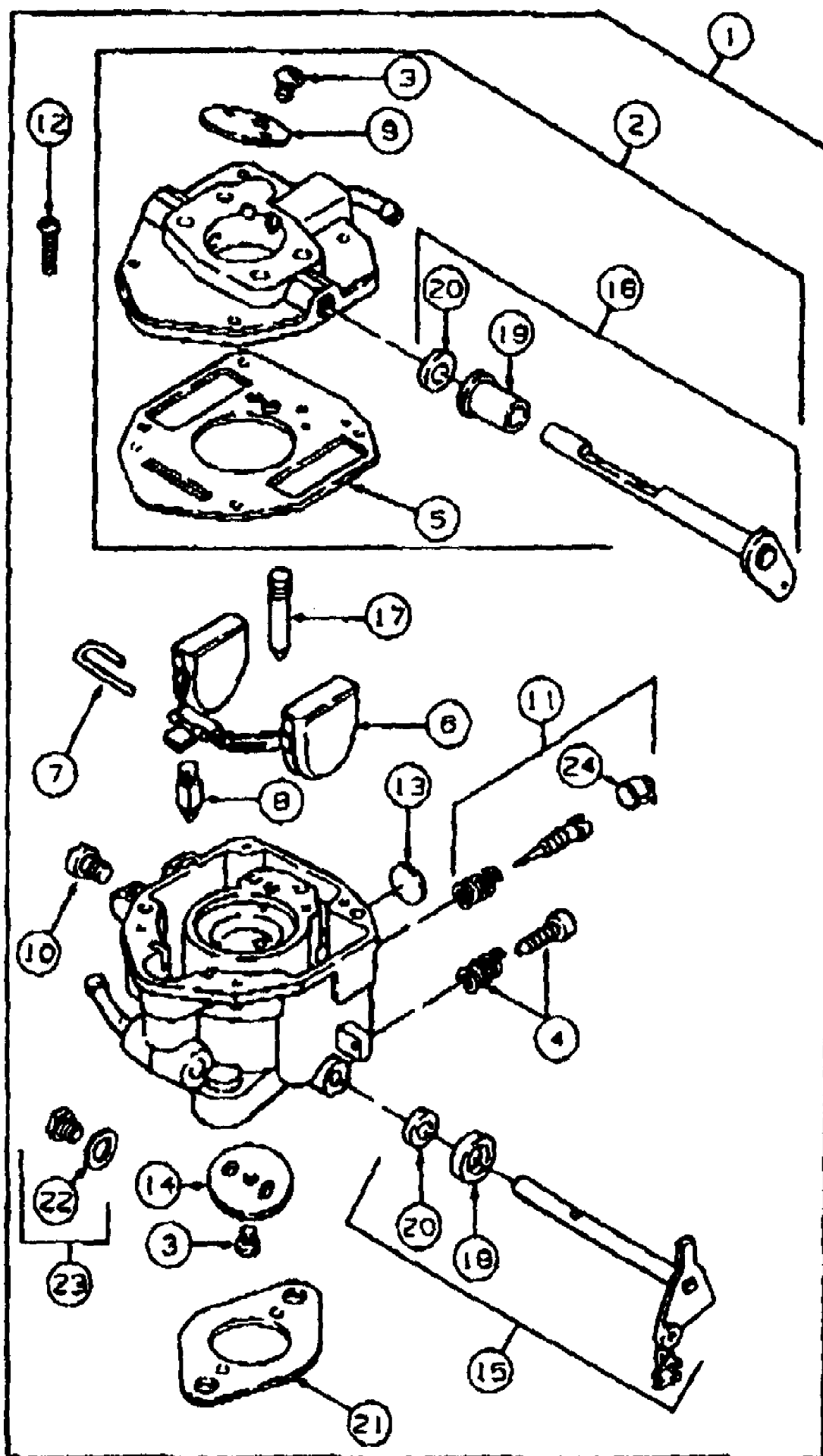
Ref #	Part Number	Qty	S/P/F	Description
50	741-3074	3		Bearing, Flange, .626 x .93 x .344
51	747-3216	1		Rod, Brake
52	747-3219	1		Rod, Parking Brake
53	747-3299	1		Rod, Connecting (Mfg Date E067 and Before; Replace by Ordering 759-3935)
54	747-3307	1		Rod, Cruise
55	748-3060	1		Latch, Cruise
56	618-3060	1	S	Plate, Brake
57	703-2191	1		Arm, Brake
58	710-3262	1		Screw, Low Hd Cap, 3/8-16 x .75
59	732-0152	1		Spring, Compression
60	732-3077	1		Spring, Brake
61	761-3019	1		Drum, Brake
62	761-3020	1	S	Shoe, Brake
63	761-3028	1		Actuator, Brake Shoe
64	747-3341	1	S	Rod, Rear Connecting (Mfg Date E077 to I308)
	747-3341A	1	/P	Rod, Rear Connecting (Mfg Date J018 and After)
65	747-3344	1	S	Rod, Front Connecting (Mfg Date E077 to J018; Replace by Ordering 759-3935)
	747-3383	1	/P	Rod, Front Connecting (Mfg Date J018 and After)
	759-3935	1	/P	Rod, Kit Connecting (Replaces 747-3344 or 747-3299)
	759-3935	1	/P	ROD KIT-CONNECTING



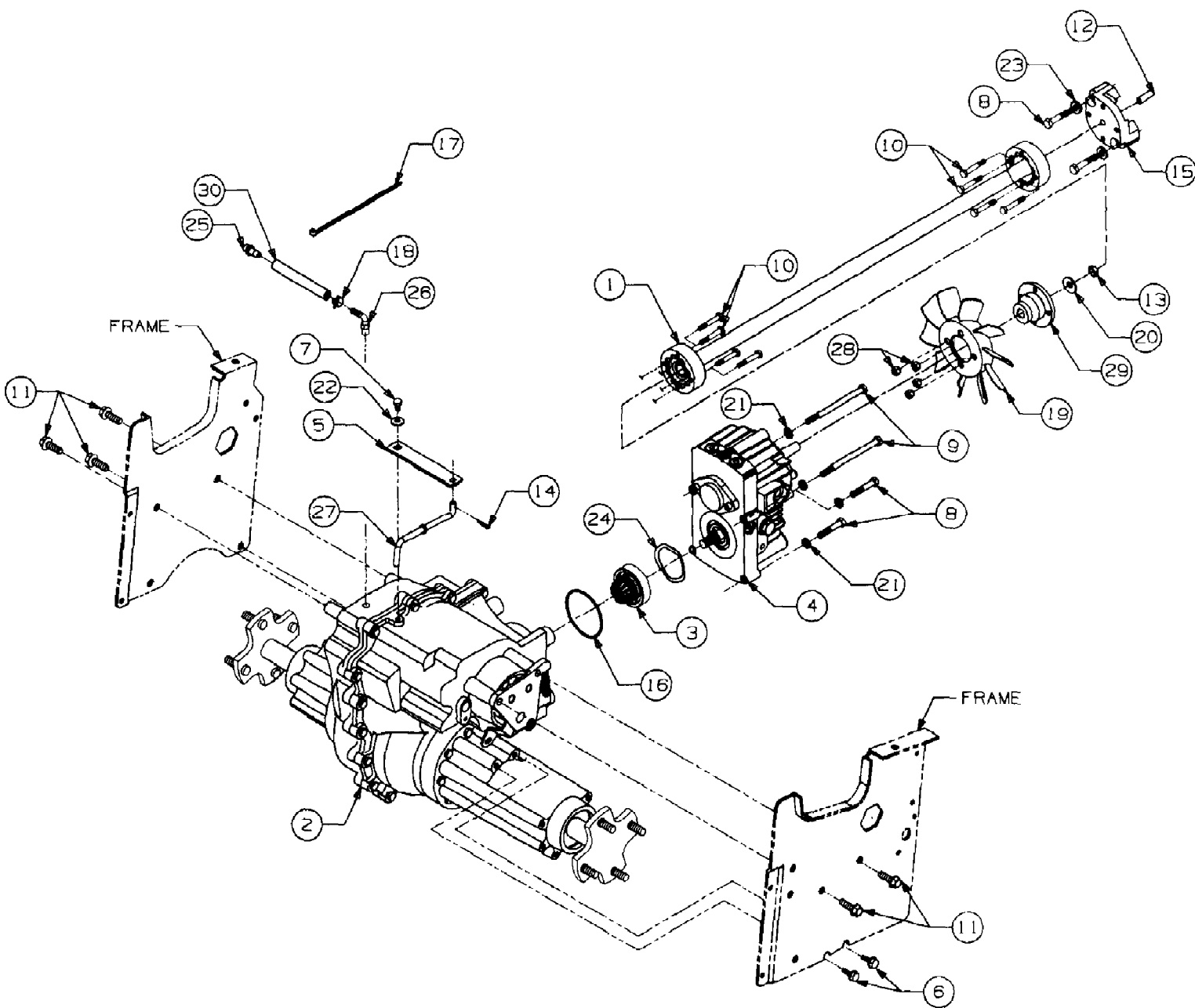
2165 Tractor S/N 326,006 & Up
Bulkhead, Dash Panel And Engine Controls

Page 14 of 75

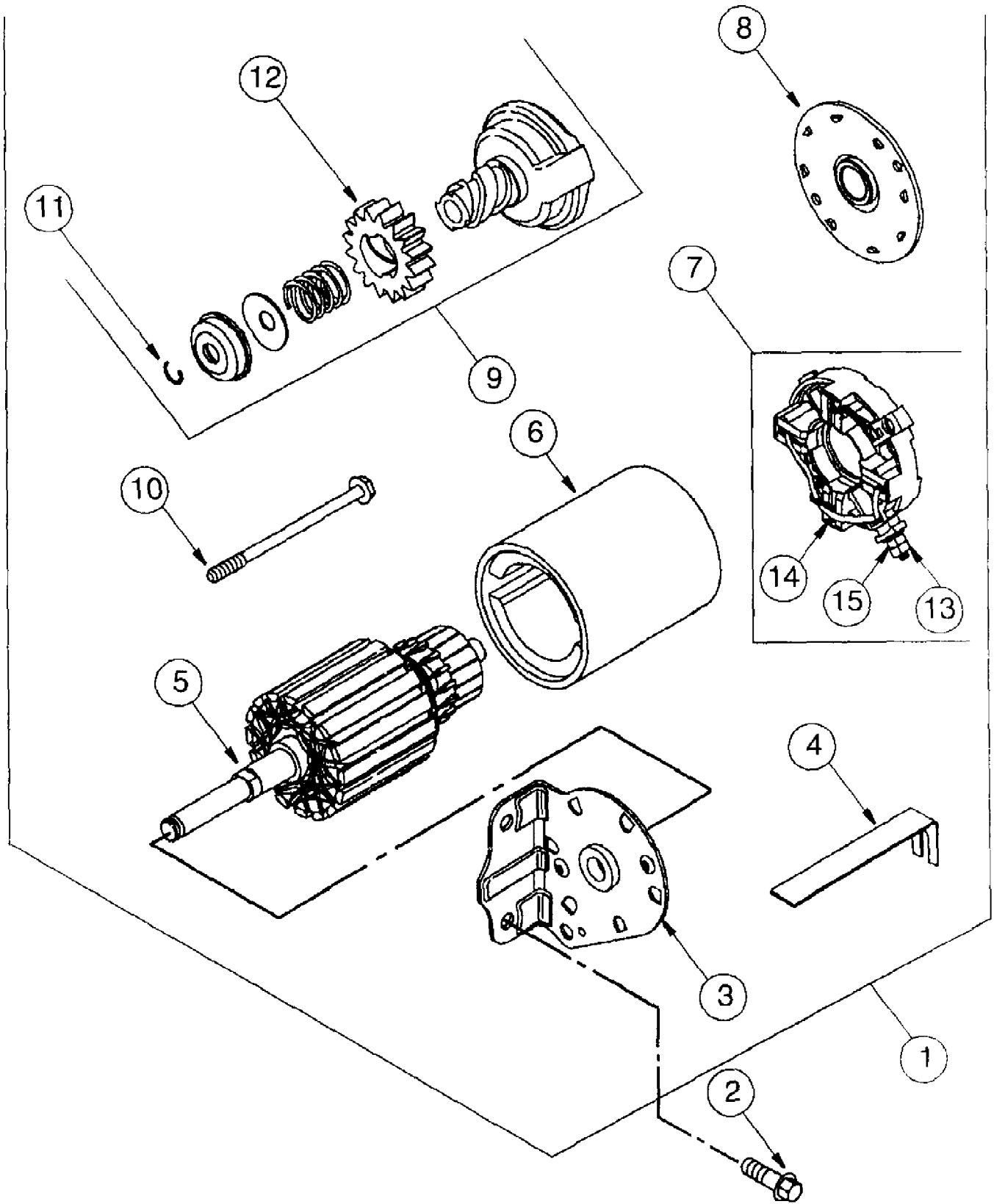
Ref #	Part Number	Qty	S/P/F	Description
1	703-2557	1	S	Screen, Intake Dash
2	703-2562B	1		Bulkhead, Lower (Mfg Date Prior to H017)
2	703-3108	1	S	Bulkhead, Lower (Mfg Date H017 and After)
3	710-0751	2	/P	Screw, Hex Cap, 1/4-20 x .625 GR5
4	710-0597	4	/P	Screw, Hex Cap, 1/4-20 x 1.0
5	710-3217	3	/P	Screw, Cross Rec Truss Hd, #8-32 x.38
6	712-0142	1	/P	Nut, #8-32
7	712-0397	2	S	Nut, Wing w/Bell Washer, 1/4-20
8	720-3024	1	S	Seal, Push On Trim
9	723-3042	1	/P	Bushing, Snap, 7/8 ID
10	726-3048	2		Nut, U-Type Speed, 1/4-20
11	726-3054	4		Nut, U-Clip, 1/4-20
12	731-3137	1	S	Panel Dash
12	777-1703	1	S	Graphic, Ignition Switch (S/N 359000 and Below)
12	731-3137A	1	/P	Panel, Dash
12	777120306	1		Graphic, Ignition Switch (S/N 359001 and Above)
13	731-3161	1	S	Knob, Throttle
14	731-3166	1		Boot, Intake
15	736-3128	4		Washer, Flat, .285 x 1.75 x .10
16	746-3035	1	/P	Control, Throttle 22 LG x .70 EXT
16	746-3049	1	S	Control, Throttle 28.75 LG x .70 EXT
17	746-3051	1	S	Control, Choke 30.5 LG x 7.0 EXT
17	746-3052	1		Control, Choke 24.5 LG x 2.0 EXT
18	747-3226	1		Rod, RH Mounting
19	747-3227	1		Rod, LH Mounting
20	777120312	1		Label, Dash
21	710-0136	1	/P	Screw, Hex Cap, 1/4-20 x 1.75 GR5 (Mfg Date H017 and After)
22	736-0342	1		Washer, Flat, .283 x .75 x .030 (Mfg Date H017 and After)
23	731-3232	1		Roller, Hood Latch (Mfg Date H017 and After)
24	712-0271	1	/P	Nut, Hex Sems, 1/4-20 (Mfg Date H017 and After)



Ref #	Part Number	Qty	S/P/F	Description
1	BS-808251	1	S	Carburetor Assembly
2	BS-807919	1		Body, Upper Carb. (Incl. 3, 5, 9, 16)
3	BS-805538	3		Screw, Valve Mounting
4	BS-808177	1		Screw, Throttle Adjustment
5	BS-805541	1	S	Gasket, Intake Elbow (Incl. in carb. overhaul kit BS-808273)
6	BS-805546	1	S	Float Assembly
7	BS-805545	1		Pin, Float Hinge (Incl. in carb. overhaul kit BS-808273)
8	BS-805547	1	S	Valve, Fuel Inlet (Incl. in carb. overhaul kit BS-808273)
9	BS-805539	1		Valve, Choke
10	BS-805853	1	S	Jet, Main
11	BS-808293	1	S	Valve, Idle Adjusting Needle
12	BS-805540	4	S	Screw, Upper Body Mounting
13	BS-805559	1	S	Plug, Welch
14	BS-805554	1		Valve Throttle
15	BS-807720	1		Shaft, Throttle (Incl. 18 & 20)
16	BS-807722	1		Shaft, Choke (Incl. 19 & 20)
17	BS-805553	1	S	Jet, Slow Speed (Incl. in carb. overhaul kit BS-808273)
18	BS-805557	1		Collar, Throttle (Incl. in carb. overhaul kit BS-808273)
19	BS-805543	1		Collar, Choke (Incl. in carb. overhaul kit BS-808273)
20	BS-805544	2		Seal, Shaft
21	BS-805700	1	S	Gasket, Carburetor Mounting (Incl. in carb. overhaul kit BS-808273 & gasket set BS-807989)
22	BS-805549	1		O-Ring (Incl. in carb. overhaul kit BS-808273)
23	BS-807723	1		Plug, Jet
24	BS-805862	1	S	Cap, Limiter (Incl. in carb. overhaul kit BS-808273)
	BS-808273	1	S	Kit, Overhaul
	BS-807989	1	S	Set, Gasket

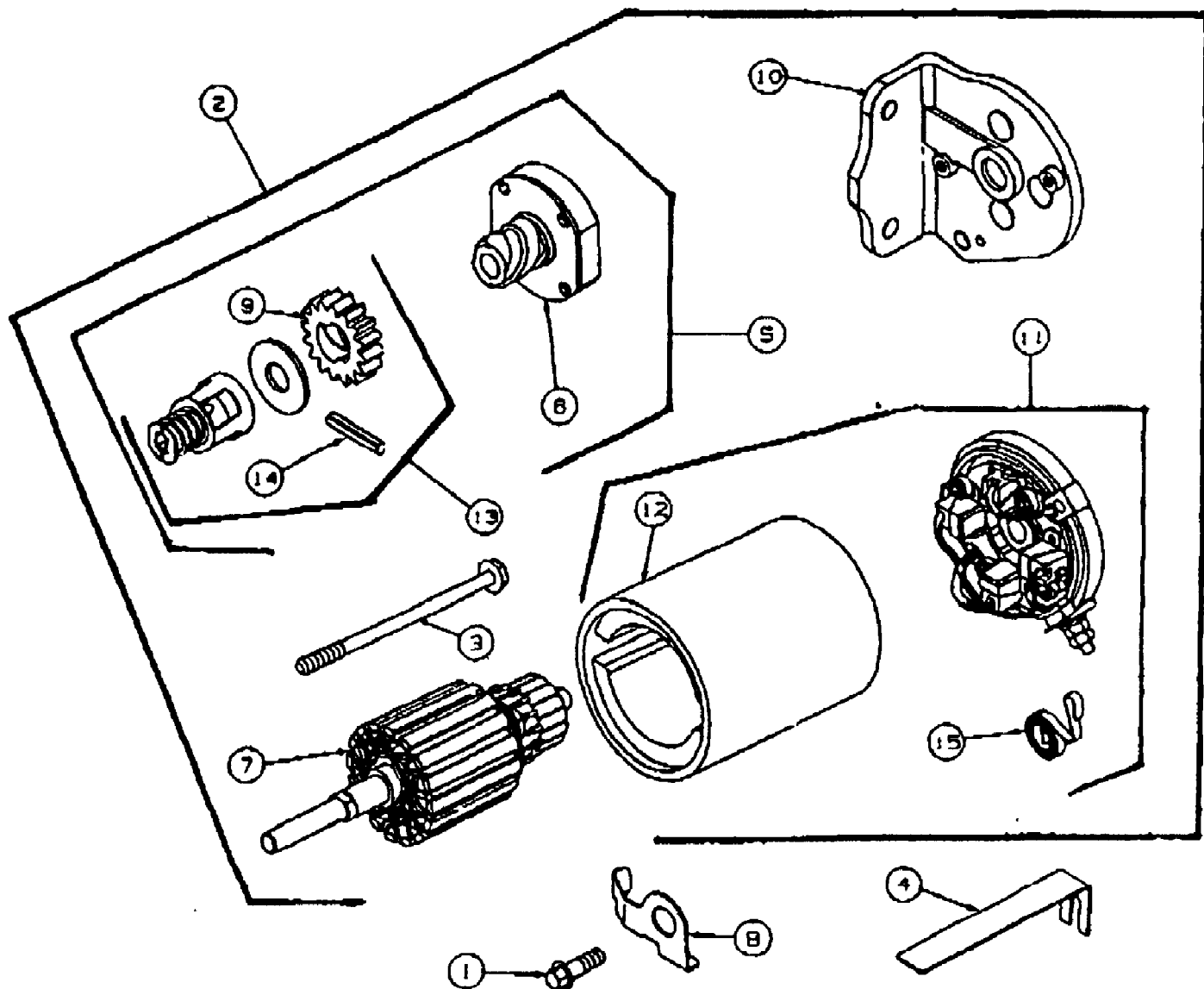


Ref #	Part Number	Qty	S/P/F	Description
1	603-0179	1		Shaft Assy, Drive, 29.06 Lg
	759-3764	2	/P	Kit, Drive Barrel
2	618-3085A	1	S	Transmission Assembly, Hydro (For Components See "Transmission" ill. and parts list.)
3	618-3088	1		Pinion Assy, Input
4	618-3111	1	S	Pump, Hydrostatic (For Components See "Hydrostatic Pump" ill. & parts list.)
5	703-2568	1		Arm, Hydro Dump
6	710-1260	2	S	Screw, Hex Wash Hd Tap, 5/16-18 x .75
7	710-0642	1	/P	Screw, Hex Wsh Hd Tap, 1/4-20 x .75 GR5
8	710-3258	2		Screw, Hex Patch, M8-1.25 x 50mm
9	710-3195	2		Screw, Hex Cap, 5/16-18 x 4.5 GR5
10	710-3288	8		Screw, Hex Patch, 1/4-20 x 1.62 GR5
11	710-3290	5		Screw, Hex Wash Hd Tap, 3/8-16 x 1.25
12	711-3330	1		Pin, Locating
13	712-0262	1	/P	Nut, Hex Center Lock Jam, 3/8-24
14	714-0104	1	S	Pin, Internal Cotter, 5/16 Dia x 1.12
15	719-3096	1	/P	Adapter, Drive Shaft
16	721-0261	1		O-Ring, 2.75 x .103
17	725-0157	1	/P	Tie, Self-Clinch Cable
18	726-0205	1	/P	Clamp, Hose
19	731-3095	1	S	Fan, 10 Blade Cooling
20	736-0105	1	/P	Washer, Bell, .380 x .88 x .063
21	736-0119	4	S	Washer, Lock, 5/16
22	736-0270	1	/P	Washer, Bell, .265 x .75 x .062
23	736-3008	2	S	Washer, Flat, .312 x .750 x .119
24	736-3099	1	S	Washer, Spring Wave, 1.96 x 2.44 x .06
25	737-0296	1	/P	Vent
26	737-0299	1		Fitting, Elbow
27	747-3228	1		Rod, Hydro Disengagement
28	748-3037	4	S	Nut, Fan, 1/4-20
29	748-3052	1		Adapter, Pump
30	759-3330	1	/P	Line, Fuel, 7 in. Lg (Order Bulk Fuel Line P/N 759-3330, 10 Ft Section)



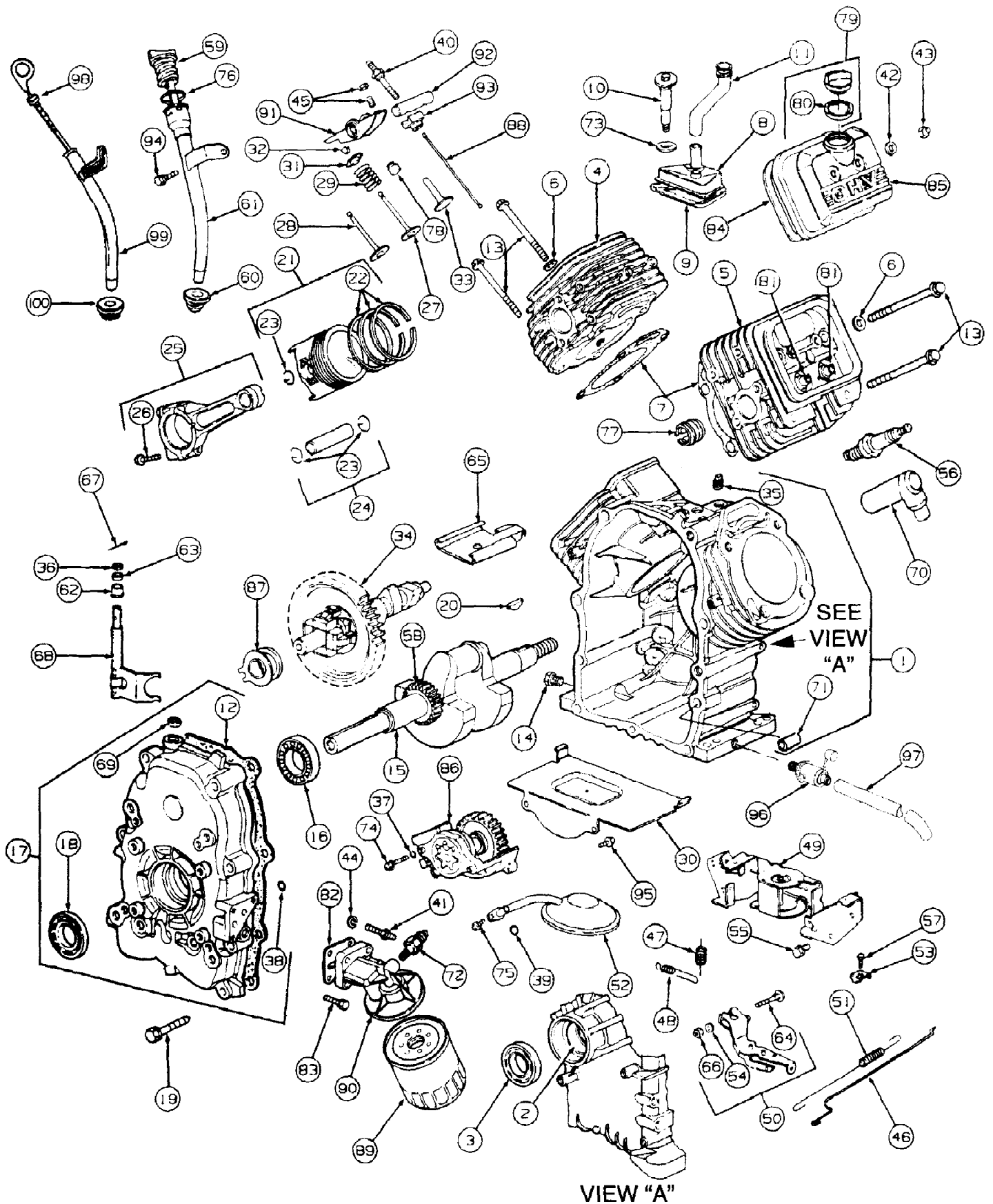
2165 Tractor S/N 326,006 & Up
 Electric Starting Motor Retaining Ring Type Starter Drive

Ref #	Part Number	Qty	S/P/F	Description
1	BS-499521	1	S	Starter Motor Assembly
2	BS-805247	1	/P	Screw, Hex
3	BS-497626	1	S	Drive End Cap Assembly
4	BS-806000	1	S	Strap, Starter
5		1		Armature Assembly (Order Starter Motor Assembly)
6		1		Housing Assembly (Order Starter Motor Assembly)
7	BS-497605	1	S	Retainer, Brush
8	BS-497607	1	S	End Cap Assembly, Commutator
9	BS-497606	1	S	Starter Drive Group
10	BS-95035	1		Screw, Hex
11	BS-263080	1	S	Ring, Retaining
12	BS-280104	1	S	Gear, Starter
13	BS-92278	1	S	Nut, Hex
14	BS-497608	1	/P	Brush Set
15	BS-225137	1		Washer, Flat



2165 Tractor S/N 326,006 & Up
 Electric Starting Motor Roll Pin Retained Starter Drive

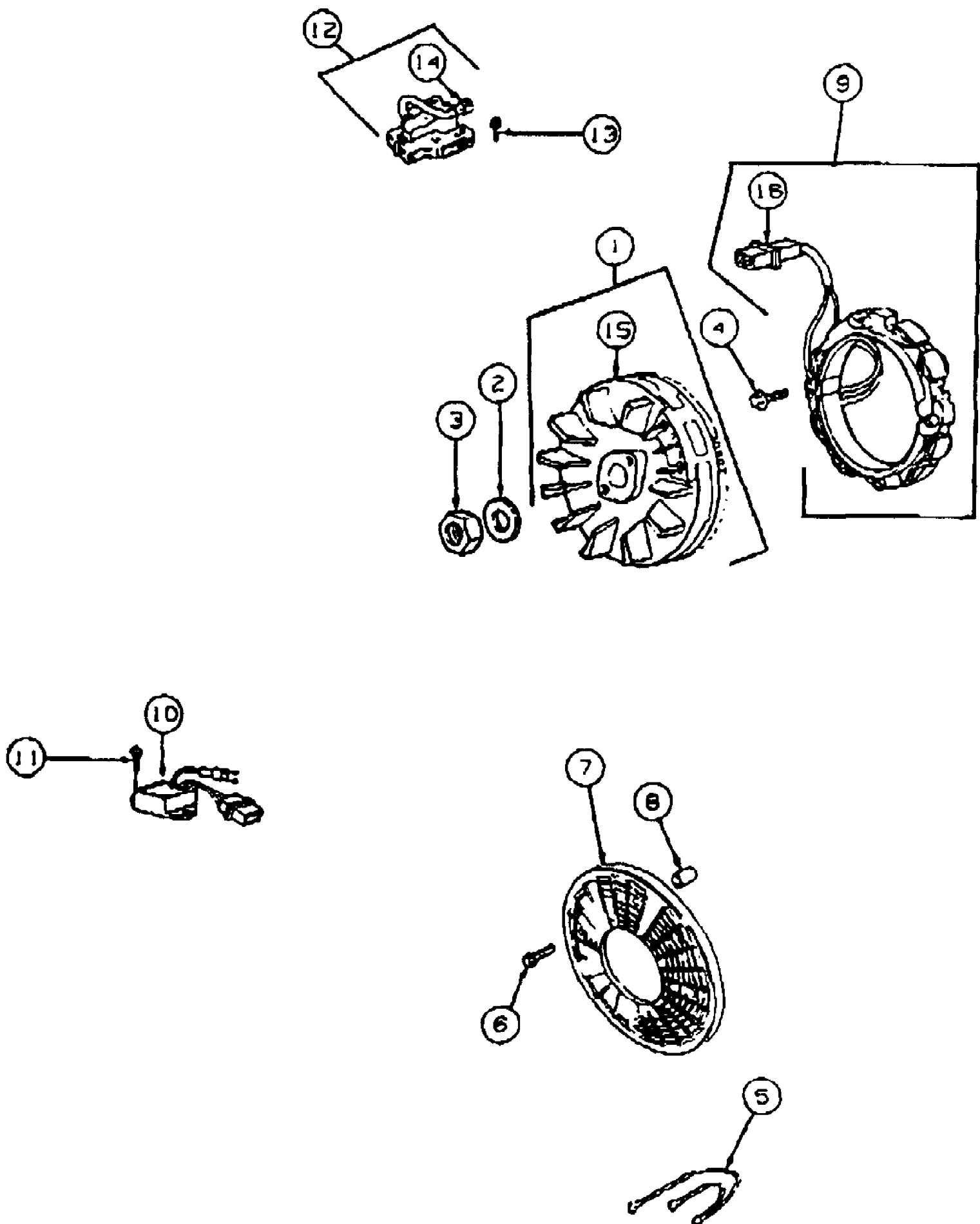
Ref #	Part Number	Qty	S/P/F	Description
1	BS-94627	1		Screw, Hex
2	BS-494990	1	S	Starter Assy., Motor
3	BS-94004	1		Screw, Hex
4	BS-806000	1	S	Strap, Starter
5	BS-495878	1	S	Starter, Drive Group
6	BS-398003	1	S	Clutch Assy
7	BS-490309	1		Armature Assy
8	BS-224723	1		Clip, Wire
9	BS-280104	1	S	Gear, Starter
10	BS-394856	1	S	Drive End Cap Assy
11	BS-494988	1		Cap Assy, Commutator End
12	BS-494205	1		Housing Assy
13	BS-495877	1	S	Kit, Gear
14	BS-94288	1	S	Pin, Roll
15	BS-490316	1		Spring, Brush



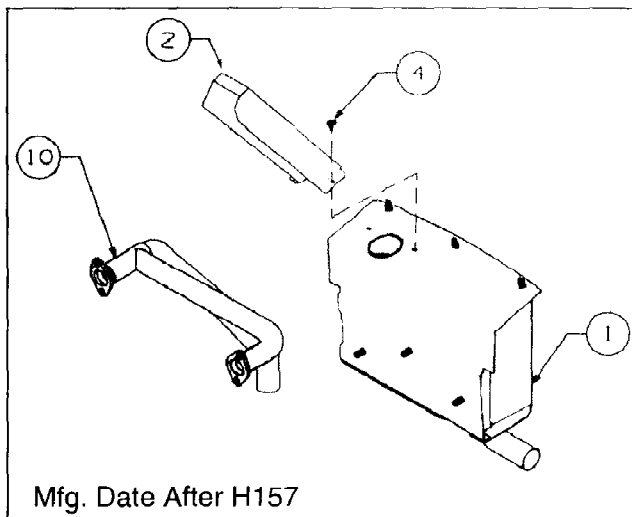
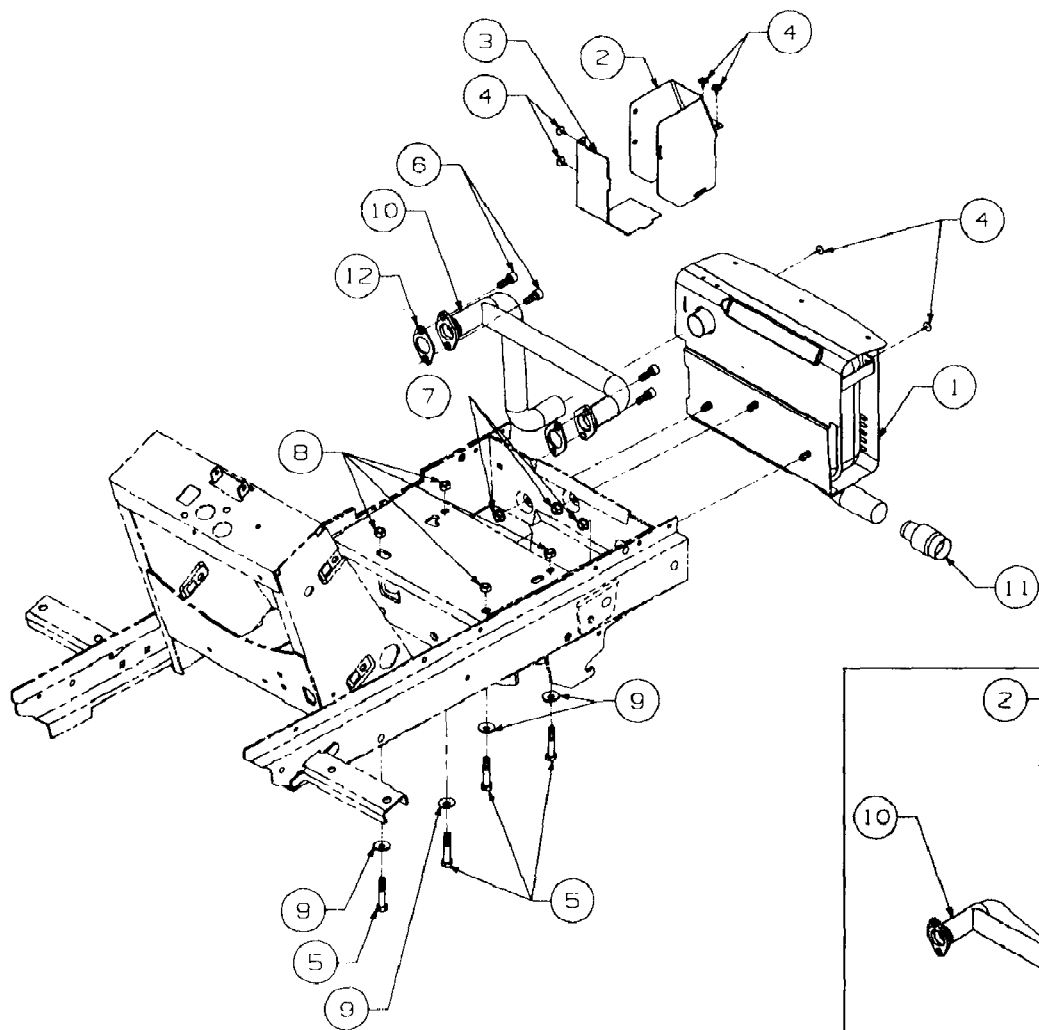
Ref #	Part Number	Qty	S/P/F	Description
1	BS-807521	1		Cylinder Assembly
2	BS-807687	1	/P	Bearing
3	BS-805101	1	S	Seal, Oil
4	BS-807987	1	S	Head, Cylinder (#1)
5	BS-807988	1	S	Head, Cylinder (#2)
6	BS-805193	8		Washer
7	BS-807986	2	/P	Gasket, Cylinder Head
8	BS-807795	1	S	Breather Assembly
9	BS-805379	1	S	Gasket, Breather
10	BS-805751	1	S	Screw
11	BS-805362	1	S	Tube, Breather
12	BS-805112	1	S	Gasket, Cover
13	BS-805097	8	S	Screw
14	BS-805048	1	S	Plug, Oil Drain
15	BS-807589	1		Crankshaft
15	BS-807625	1		Washer, Thrust
16	BS-805213	1	S	Bearing, Ball
17	BS-807628	1	S	Cover, Crankcase
18	BS-805049	1	S	Seal, Oil
19	BS-805017	9		Screw, Cover
20	BS-805016	1		Key, Flywheel
21	BS-807619	2	S	Piston Assembly
21	BS-807807	2		Piston Assembly, .010 O.S.
21	BS-807809	2		Piston Assembly, .020 O.S.
21	BS-807811	2		Piston Assembly, .030 O.S.
22	BS-807620	2	S	Ring Set, Piston
22	BS-807808	2		Ring Set, Piston, .010 O.S.
22	BS-807810	2		Ring Set, Piston, .020 O.S.
22	BS-807812	2		Ring Set, Piston, .030 O.S.
23	BS-805099	4	S	Lock, Piston Pin
24	BS-807621	2		Pin Assembly, Piston
25	BS-807622	2	S	Rod Assembly
25	BS-807803	2		Rod Assembly, .020 U.S.
26	BS-805395	4	S	Screw, Rod
27	BS-807681	2	/P	Valve, Exhaust
28	BS-807680	2	/P	Valve, Intake
29	BS-805937	4	S	Spring, Valve
30	BS-805300	1		Plate, Windage
31	BS-805092	4	S	Retainer, Valve Spring
32	BS-807683	8	/P	Retainer
33	BS-805354	4	S	Valve, Tappet
34	BS-807542	1	S	Gear, Cam
35	BS-805059	1		Plug, Pipe
36	BS-805054	1	S	Seal, Governor Shaft
37	BS-805058	2	S	O-Ring
38	BS-805198	1		O-Ring
39	BS-805316	1	S	O-Ring
40	BS-805343	4		Stud
41	BS-805073	1	S	Stud, Adapter
42	BS-805420	4	S	Washer
43	BS-805019	4	S	Nut, Nylock
44	BS-805449	1		Lockwasher
45	BS-807623	4		Screw, Adjustment

Ref #	Part Number	Qty	S/P/F	Description
46	BS-805480	1		Link, Governor
47	BS-805460	1	S	Spring, Governor
48	BS-805453	1	S	Spring, Idle
49	BS-807610	1	S	Bracket Governor
50	BS-807528	1		Lever, Assembly
51	BS-805465	1	S	Spring, Governor Link
52	BS-807598	1		Screen, Pick-Up
53	BS-221535	2	S	Clamp, Casing
54	BS-805018	1	S	Washer
55	BS-805025	5	S	Screw, Sems
56	759-3336	2	/P	Spark Plug
57	BS-805169	2	S	Screw, Hex Head
58	BS-805675	1		Gear, Timing
58	BS-94196	1		Key, Timing Gear
59	BS-807977	1	S	Dipstick (Before Code 98053100)
60	BS-805259	1	S	Seal (Before Code 98053100)
61	BS-807976	1	S	Tube, Filler (Before Code 98053100)
62	BS-805413	1		Bushing
63	BS-805412	1		Bushing
64	BS-805381	1		Bolt
65	BS-805197	1	S	Baffle, Breather
66	BS-805383	1	S	Nut, Hex
67	BS-805417	1		Pin, Cotter
68	BS-807596	1	S	Fork, Governor
69	BS-805416	1	S	Washer
70	BS-805529	2	S	Elbow, Spark Plug
71	BS-805103	1		Dowel
72	BS-491657	1	S	Switch, Oil Pressure
73	BS-807688	1	S	Seal, Screw
74	BS-805057	2	S	Screw, Sems
75	BS-805317	1	S	Screw, Mounting
76	BS-805386	1	S	O-Ring (Before Code 98053100)
77	BS-805083	2	S	Liner, Exhaust Port
78	BS-805094	2	S	Seal, Valve Guide
79	BS-491832	1	S	Plug, Oil Fill
80	BS-271983	1	S	Seal, Fill Plug
81	BS-805084	4	S	Guide, Valve
82	BS-805250	1	S	Gasket, Adapter
83	BS-805030	2		Screw, Sems
84	BS-806039	2	S	Gasket, Valve Cover
85	BS-805842	1	S	Cover, Valve LH (Shown)
85	BS-807665	1	S	Cover, Valve RH (Not Shown)
86	BS-807644	1		Oil Pump Assembly
87	BS-805313	1	S	Slider, Governor
88	BS-805352	2	S	Rod, Push
88	BS-805617	2	S	Rod, Push (exhaust)
89	BS-492932	1	S	Filter, Oil
90	BS-805292	1	S	Adapter, Filter
91	BS-808096	4		Arm, Rocker
92	BS-805342	2	S	Shaft
93	BS-805341	4	S	Support
94	BS-805177	1		Screw, Mounting
95	BS-805406	2	S	Screw, Sems

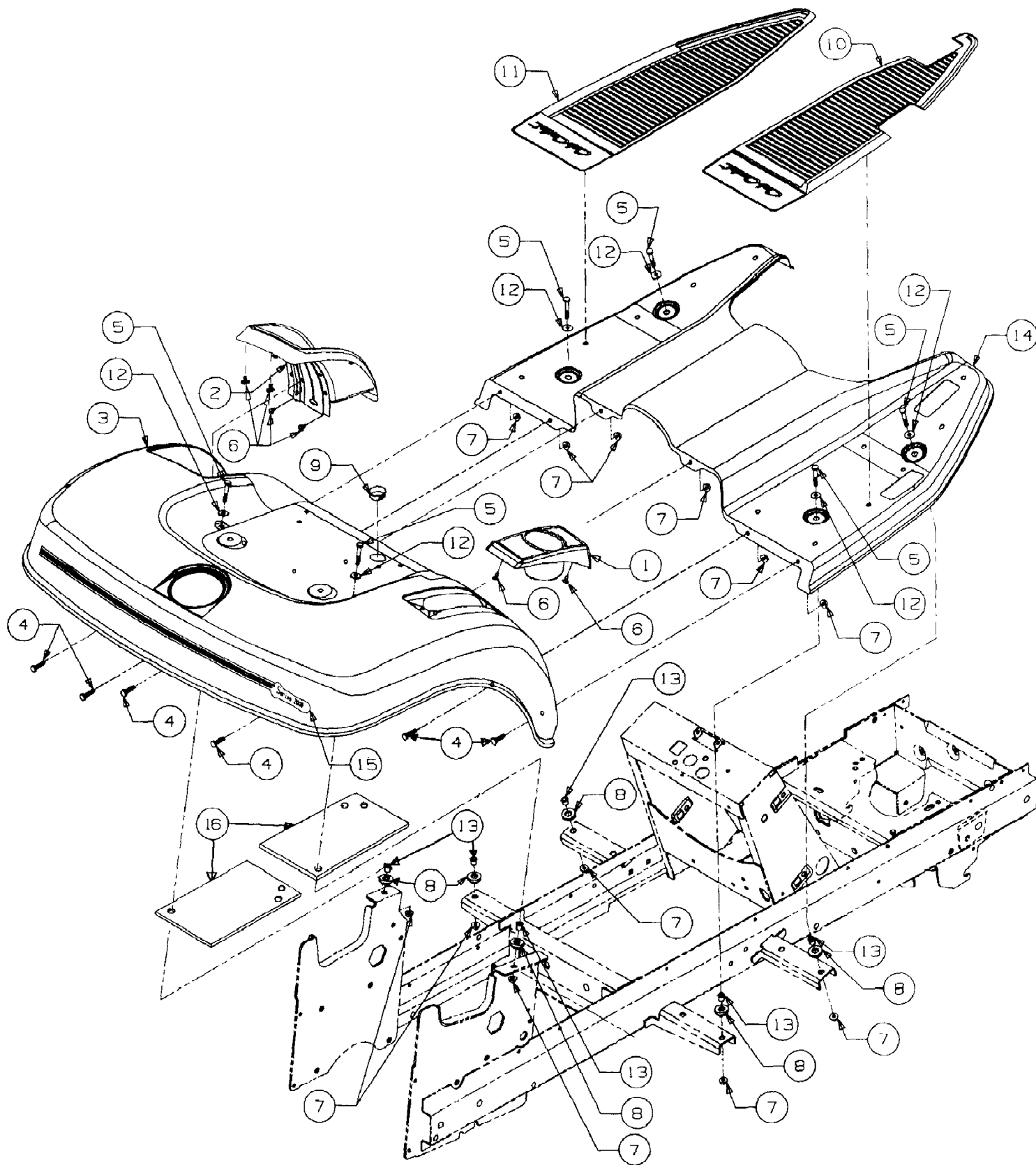
Ref #	Part Number	Qty	S/P/F	Description
96	751-3140	1	S	Drain, Oil
96	751-3142	1		Cap
97	751-3141-12	1	S	Hose, Oil Drain
98	BS-693175	1		Dipstick (After Code 98053100)
99	BS-693174	1		Dipstick Tube (After Code 98053100)
100	BS-693172	1		Seal (After Code 98053100)
	BS-305447-0079	1	/P	Engine, Complete Not Shown
	BS-494054	1		Short Block Not Shown



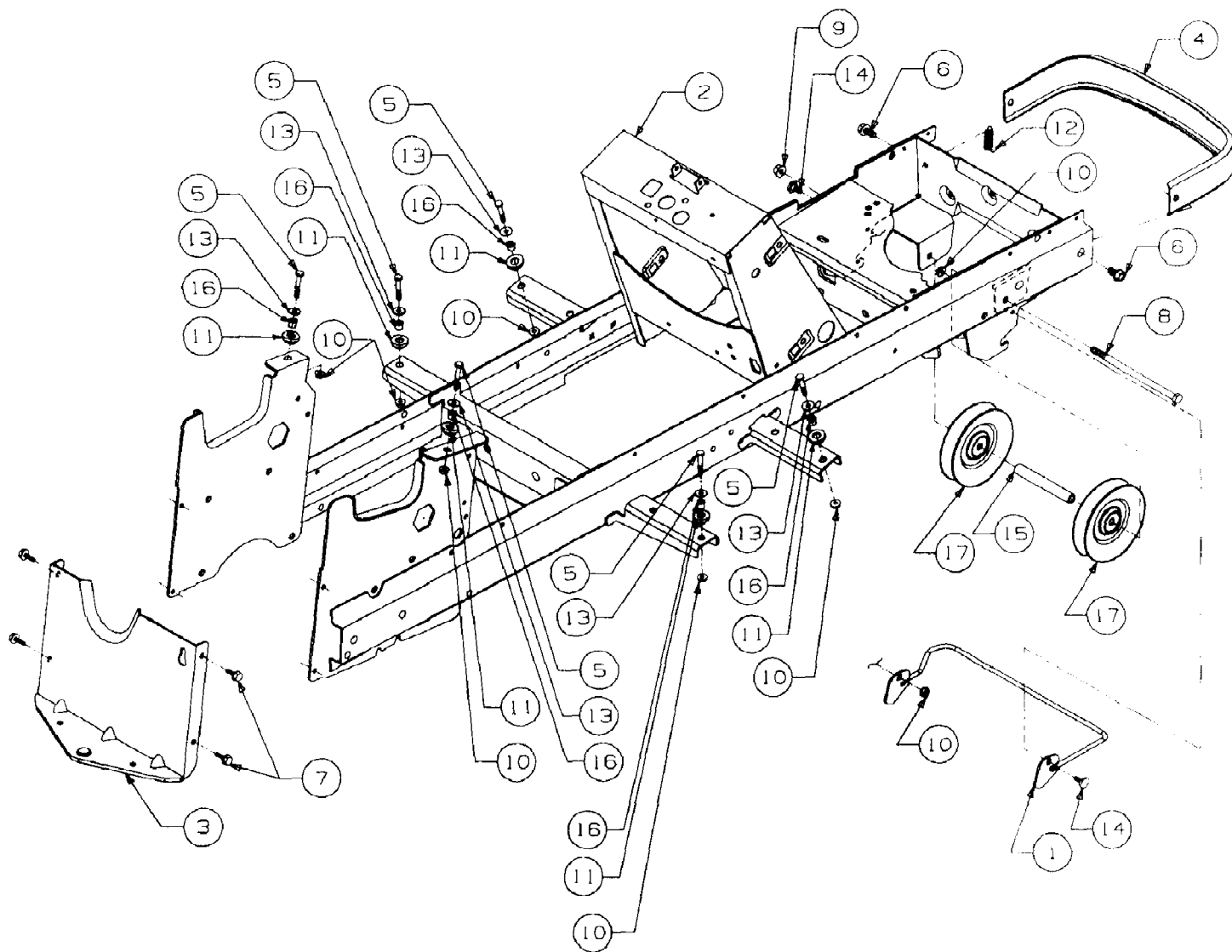
Ref #	Part Number	Qty	S/P/F	Description
1	BS-807531	1	S	Flywheel & Ring Gear
2	BS-805007	1	S	Washer, Spring
3	BS-805021	1		Nut, Hex
4	BS-805407	4	S	Screw, Mounting
5	BS-493792	1	S	Wire, Ground
6	BS-805447	4	S	Screw, Sems
7	703-2164	1		Screen, Rotating
8	BS-805402	4	S	Spacer
9	BS-393295	1	S	Stator, 16 Amp
10	BS-394890	1	S	Regulator
11	BS-805448	2	S	Screw, Mounting
12	BS-492341	2	/P	Armature
13	BS-805407	4	S	Screw, Mounting
14	BS-493880	1	S	Terminal
15	BS-807805	1		Gear, Flywheel Ring
16	BS-393537	1		Diode & Connector Assy



Ref #	Part Number	Qty	S/P/F	Description
1	951-3000A	1		Muffler Assy (Mfg Date Before H147)
	651-3001	1	S	Muffler Assy (Mfg Date After H157; Replaces 951-3000A by Ordering P/N 751-0655 and 703-3099)
2	703-2845	1		Shield, Exh. (Mfg Date Before H147)
	703-3099	1	S	Shield, Exh. (Mfg Date After H157)
3	703-2847	1		Shield, Rear Exh. (Mfg Date Before H147)
4	710-1268	6	/P	Screw, Hex Wash Hd Tapp, #10-16 x .38
5	710-3180	4	/P	Bolt, Engine Mnting, 5/16-18 x 1.75 GR5
6	710-3292	4	/P	Screw, Socket Hd Cap, M8-1.25 x 20mm
7	712-3004A	3	/P	Nut, Hex Flange Lock, 5/16-18
8	712-3010	4	S	Nut, Hex, 5/16-18 GR5
9	736-0242	4	/P	Washer, Bell, .345 x .88 x .060
10	751-3139	1		Tube, Exhaust (Mfg Date Before H147)
	751-0655	1		Tube, Exhaust (Mfg Date After H157)
11	759-3744	1	S	Arrestor, Spark
12	BS-805024	2	S	Gasket, Exhaust



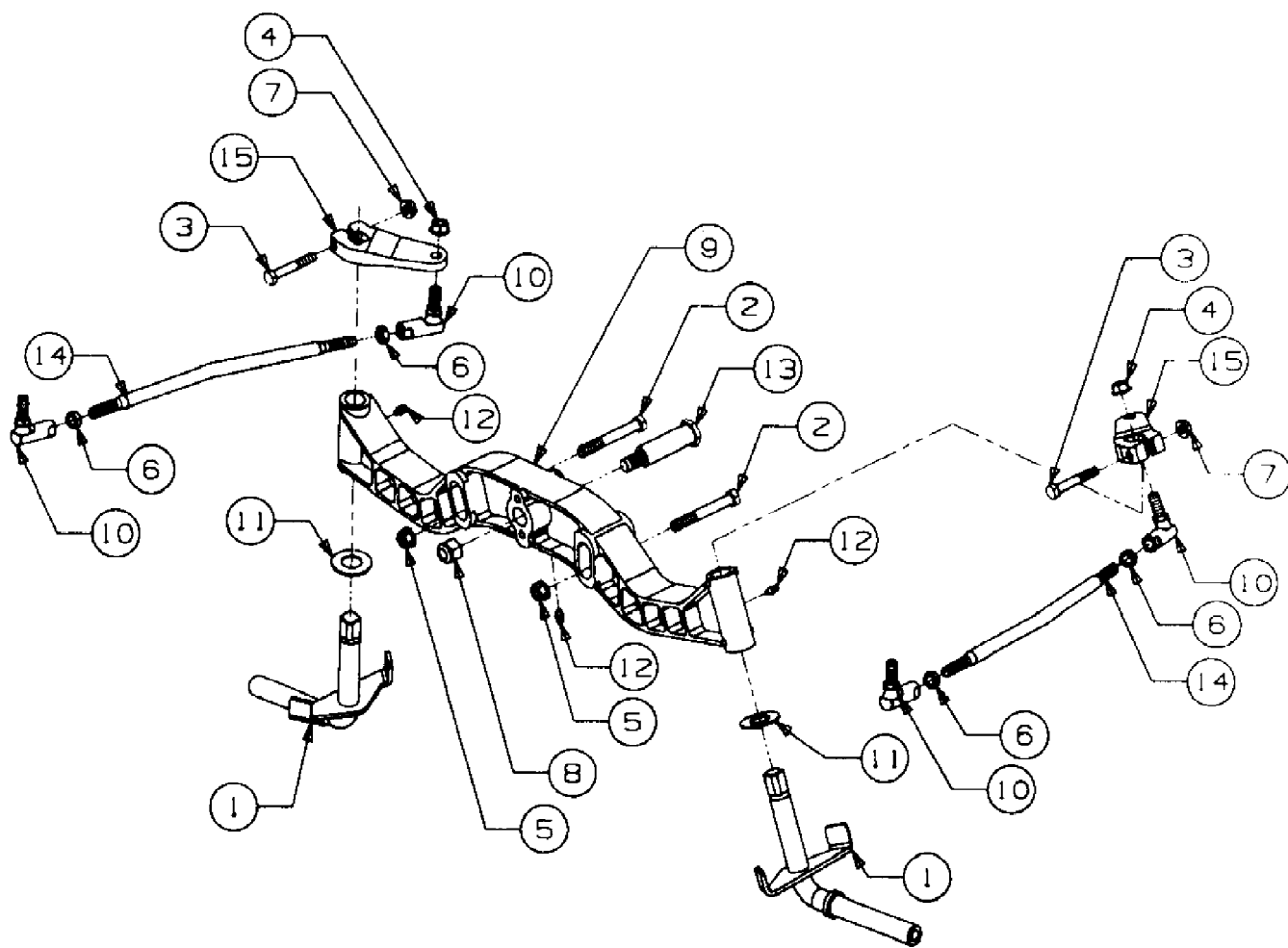
Ref #	Part Number	Qty	S/P/F	Description
1	731-3212	1	S	Cup Holder
2	631-3002	1		Cover, Implement Lift
3	703-2278B-0498	1		Fender
4	710-0751	6	/P	Screw, Hex Cap, 1/4-20 x .62 GR5
5	710-0597	6	/P	Screw, Hex Cap, 1/4-20 x 1.0
6	710-1268	6	/P	Screw, Hex Tapp, #10 x .38 Lg
7	712-3027	12	S	Nut, Hex Flange Lock, 1/4-20
8	722-0258	6	S	Grommet, Insulator
9	723-3042	1	/P	Bushing, Snap, 7/8 ID
10	735-3046A	1	/P	Pad, RH Foot
11	735-3047	1		Pad, LH Foot
12	736-3090	6	/P	Washer, Flat, .255 x .72 x .06
13	750-3169	6	S	Spacer, .28 ID x .40 OD x .42 Lg
14	759-3738-0498	1	S	Running Board w/Graphic
	777S30171	1	/P	Graphic, Warning
15	777D00430	1	S	Graphic, Rear Fender
16	703-2628	2		Bracket, Fender Reinforcement



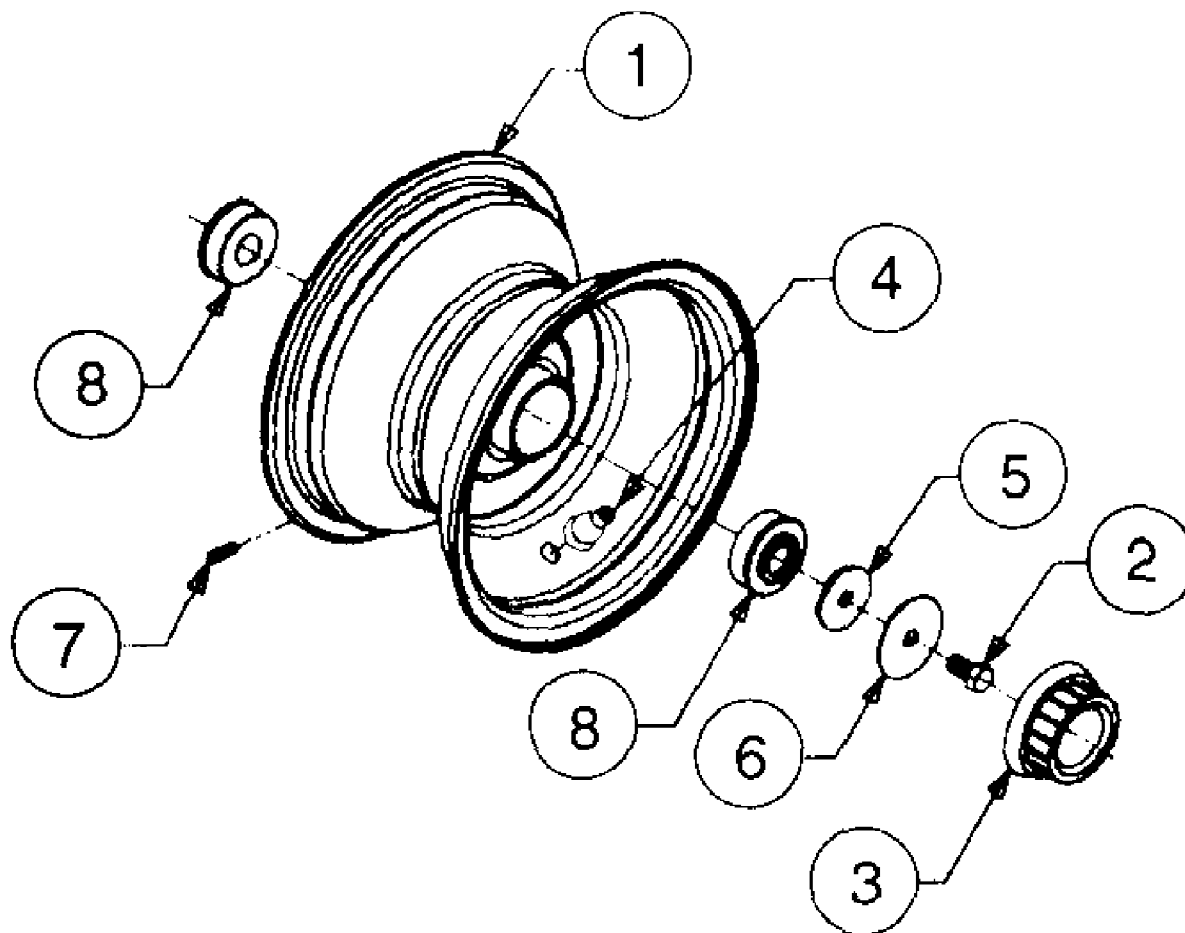
2165 Tractor S/N 326,006 & Up
Frame And Drawbar

Page 34 of 75

Ref #	Part Number	Qty	S/P/F	Description
1	603-0132-0498	1	S	Rod, Quick Attach
2	603-0328A-0498	1	S	Frame
3	703-2257-0498	1	S	Drawbar
	777I20296	1		Graphic, Trans Release Lever
4	703-2577-0498	1	S	Bumper
5	710-0597	6	/P	Screw, Hex Cap, 1/4-20 x 1.0
6	710-0623	2	/P	Screw, Hex Wash Hd Tap, 3/8-16 x .75
7	710-1260A	4	/P	Screw, Hex Wsh Hd Tap, 5/16-18 x.75
8	710-3261	1		Screw, Hex Cap, 3/8-16 x 7.0
9	712-0431	1	S	Nut, Hex Flanged Lock, 3/8-16
10	712-3027	8	S	Nut, Hex Flange Lock, 1/4-20
11	722-0258	6	S	Grommet, Insolator
12	732-3002	1	S	Spring, Latch
13	736-3090	6	/P	Washer, Flat, .255 x .72 x .60
14	738-0255	2	S	Bolt, Shoulder
15	750-3114	1	S	Spacer, Idler, .407 x .62 x 4.38
16	750-3169	6	S	Spacer, .28 x .40 x .42 Lg
17	756-3045	2	S	Pulley, Idler

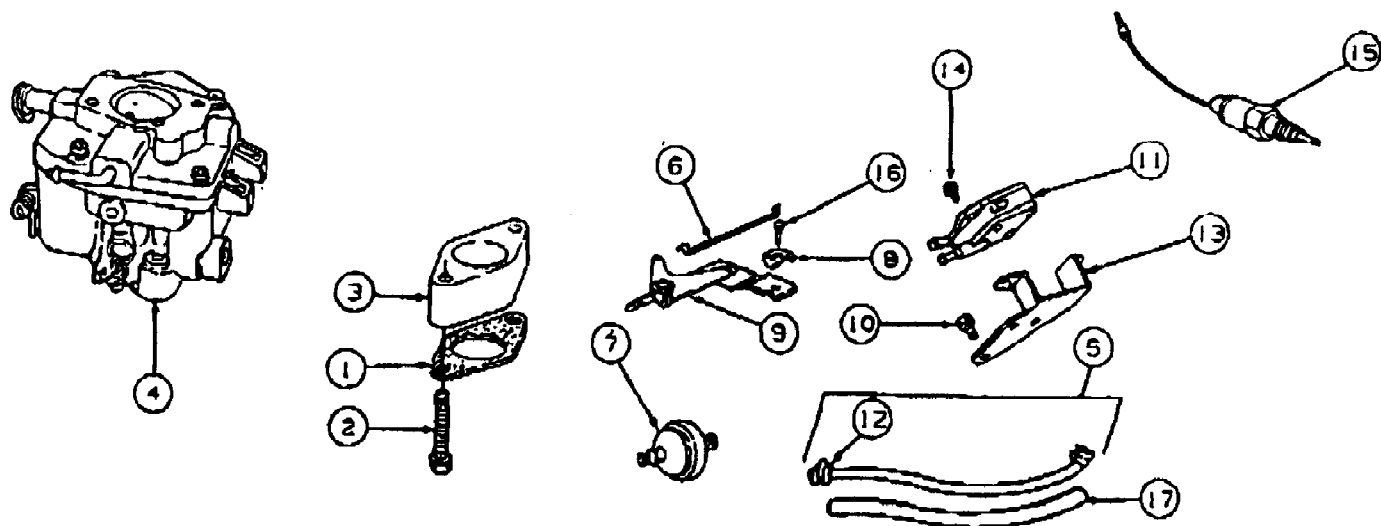


Ref #	Part Number	Qty	S/P/F	Description
1	603-0066	2		Knuckle Assembly, Steering
2	710-3066	2	/P	Screw, Hex Cap, 3/8-16 x 2.75 GR8
3	710-3103	2	/P	Screw, Hex Cap, 5/16-18 x 2 GR5
4	712-3054	2	/P	Nut, Hex Lock, 3/8-24 GR5
5	712-0431	2	S	Nut, Hex Flanged Lock, 3/8-16
6	712-3001	4	S	Nut, Hex Jam, 3/8-24 GR5
7	712-3004A	2	/P	Nut, Hex Flange Top Lock, 5/16-18
8	712-3083	1	/P	Nut, Hex Top Nylon Lock, 1/2-13
9	719-3095	1		Axle, Front Pivot
10	723-0156	4	S	Joint, Ball, 3/8-24
11	736-0188	2	/P	Washer, Flat, .760 x 1.49 x .06 Thk.
12	737-3000	3	S	Fitting, Lube, 3/16 Drive Type
13	738-3110	1	S	Bolt, Pivot Shoulder, 3/4 Dia x 2.23
14	747-3171	2		Rod, Tie
15	748-3049	2		Arm, Steering



2165 Tractor S/N 326,006 & Up
Front Wheel

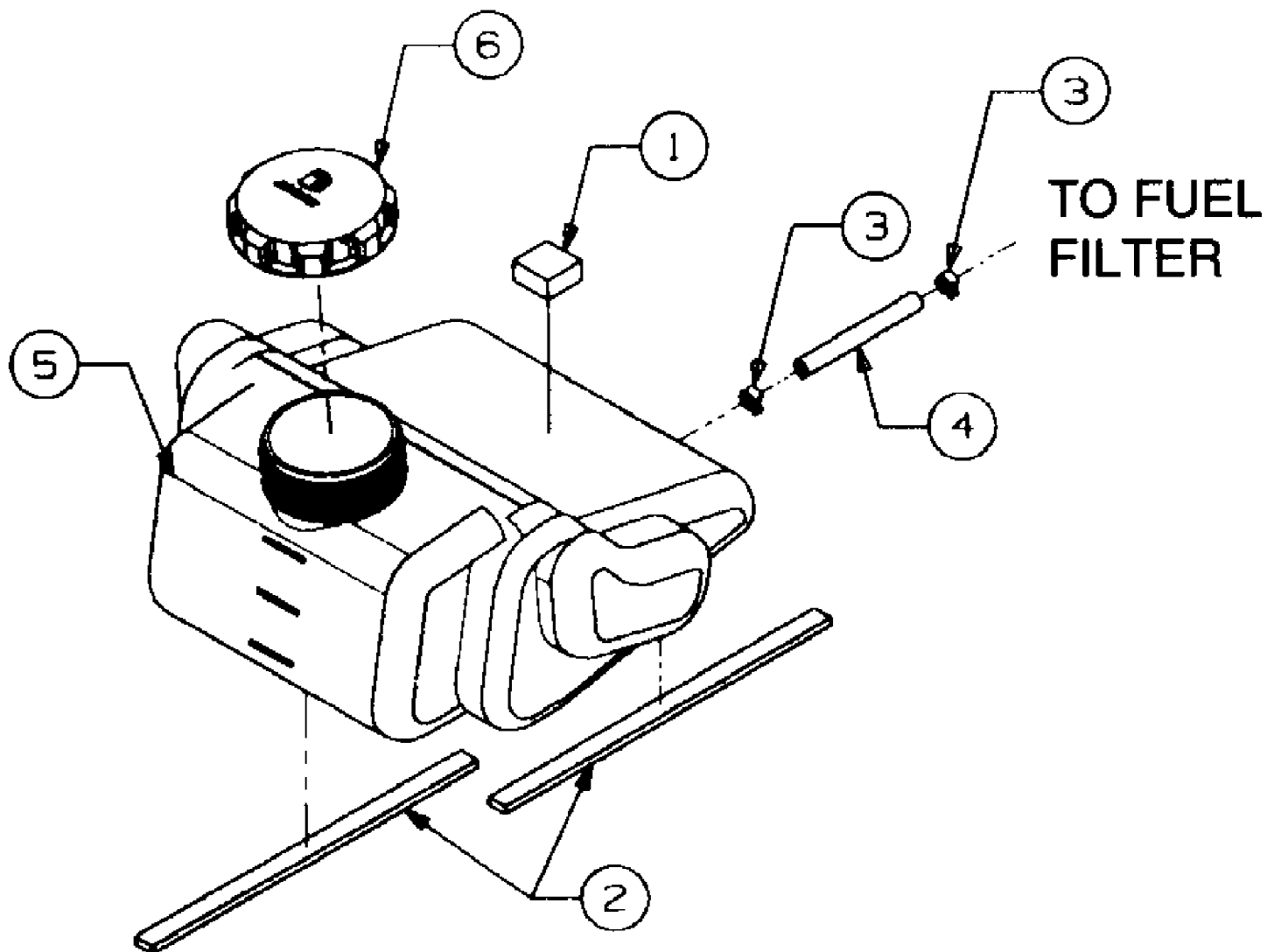
Ref #	Part Number	Qty	S/P/F	Description
	734-3105A	2	S	Tire, Cub Tread, 16 x 6.5 x 8 (S/N 359000 & Below)
	734-3187	2	S	Tire, Cub Tread, 16 x 6.5 x 8 (S/N 359001 & Above)
1	634-3016-0499	2	/P	Rim Assembly, Front
2	710-3119	2	/P	Bolt, Hex Patch, 3/8-16 x .75 GR5
3	731-3020	2	S	Cap, Hub
4	734-0255	2	S	Valve, Tubeless Air
5	736-3039	2	S	Washer, Flat, .406 x 1.5 x .110
6	736-3040	2	/P	Washer, Flat, .406 x 1.92 x .06
7	737-0224	2		Fitting, Grease
8	741-3032	4	S	Bearing, Ball



2165 Tractor S/N 326,006 & Up
Fuel System

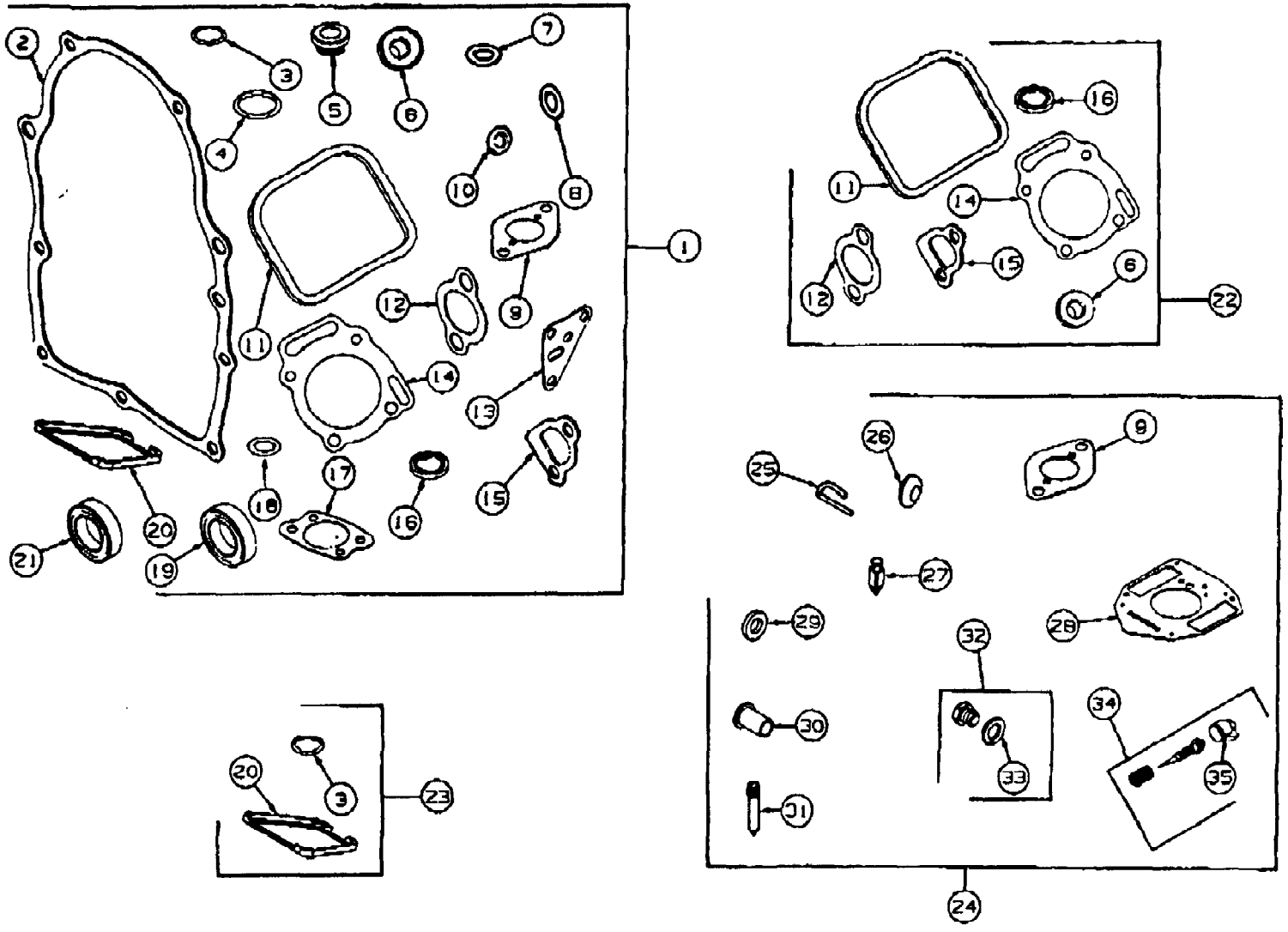
Page 40 of 75

Ref #	Part Number	Qty	S/P/F	Description
1	BS-805700	1	S	Gasket, Carburetor Mtg
2	BS-805466	2		Screw, Sems
3	BS-805328	1	S	Spacer, Carburetor
4	BS-808294	1		Carburetor Assy (See "Engine Assembly" for breakdown)
5	BS-393815	1		Line, Fuel (Cut to suit)
6	BS-805439	1	S	Link, Choke
7	BS-493629	1	S	Filter, Fuel,
8	BS-221535	1	S	Clamp, Casing
9	BS-808145	1	S	Bracket, Choke
10	BS-805025	2	S	Screw, Sems
11	BS-491922	1	S	Pump, Fuel
12	BS-805187	6	S	Clamp, Fuel Line
13	BS-807685	1	S	Bracket, Fuel Pump
14	BS-805317	2	S	Screw, Mtg
15	BS-807664	1	S	Solenoid
16	BS-805169	1	S	Screw, Max Hd
17	BS-280866	1		Insulation, Fuel Line

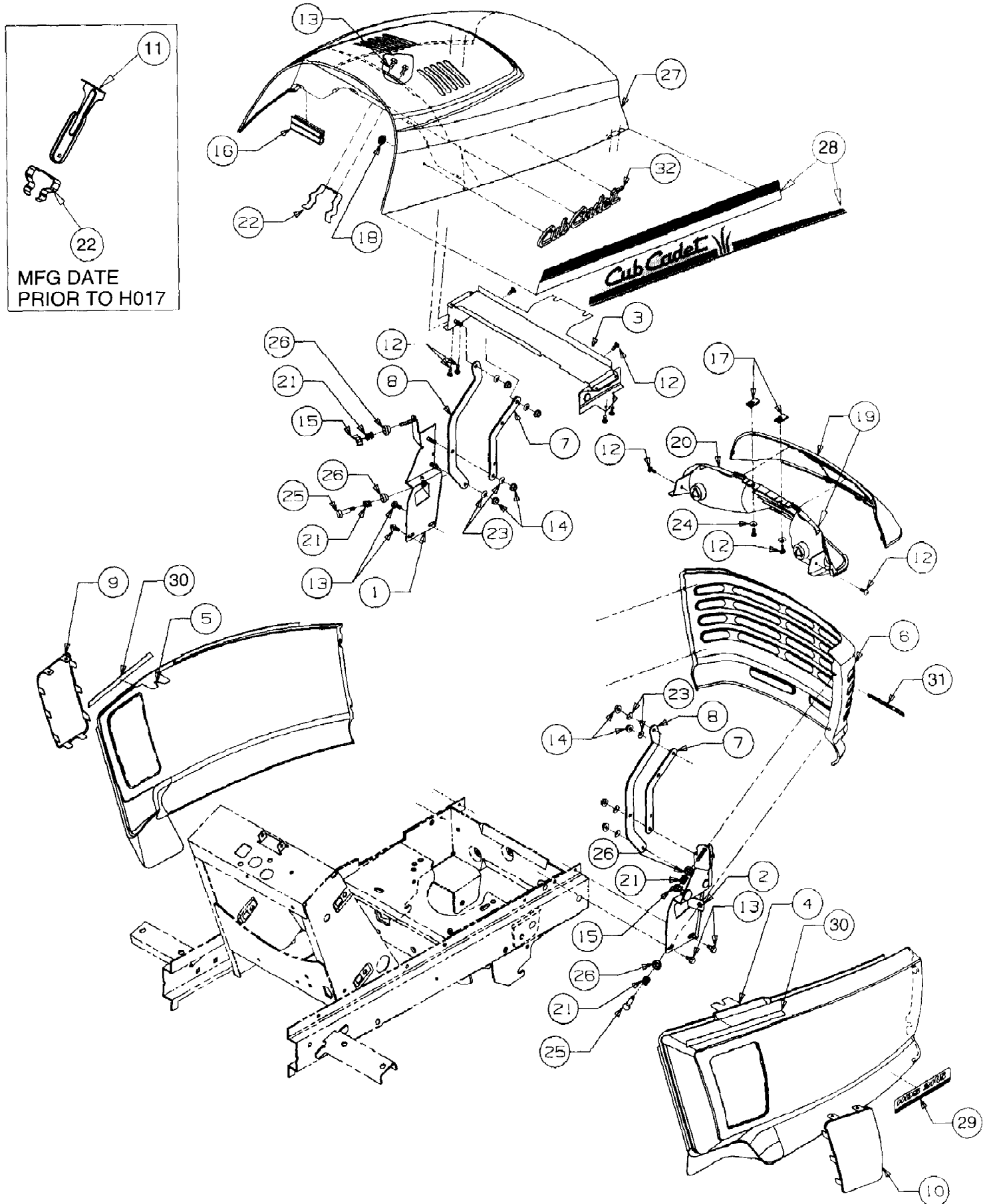


2165 Tractor S/N 326,006 & Up
Fuel Tank

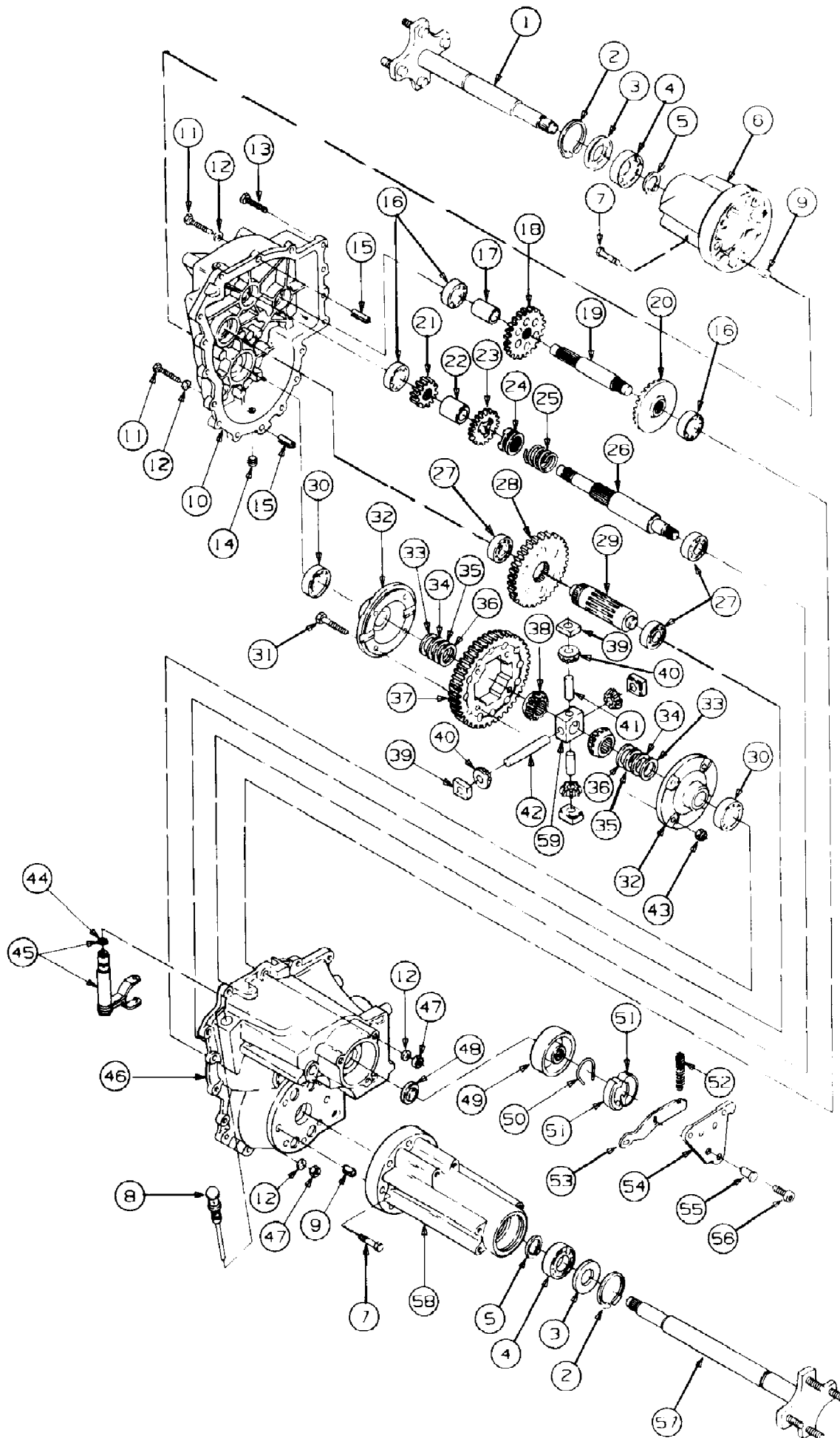
Ref #	Part Number	Qty	S/P/F	Description
1	722-3020	AR		Foam, 1.25 Sq x .62 Thk
2	722-3022	AR	S	Tape, Foam, .625 Wide x .25 Thk
3	726-0205	2	/P	Clamp, Hose
4	759-3330	1	/P	Line, Fuel, 72 in. Lg (Order Bulk Fuel Line Part No. 759-3330 10 ft lg)
5	751-3112	1	S	Tank, Fuel
6	751-3124B	1	S	Cap, Fuel
	723-3066	1	S	Insulator, Foam Fuel Line (Not Shown)



Ref #	Part Number	Qty	S/P/F	Description
1	BS-807989	1	S	Gasket Set
2	BS-805112	1	S	Gasket, Crankcase
3	BS-805483	1	S	Seal, Breather Tube
4	BS-805386	1	S	Seal, O-Ring
5	BS-805259	1	S	Seal, Fill Tube
6	BS-805420	4	S	Washer
7	BS-805198	1		Seal, O-Ring (Crankcase Cover)
8	BS-805058	2	S	Seal, O-Ring (Oil Pump)
9	BS-805700	2	S	Gasket, Intake
10	BS-805316	1	S	Seal, O-Ring (Oil Pump Screen)
11	BS-806039	2	S	Gasket, Valve Cover
12	BS-805024	2	S	Gasket, Exhaust
13	BS-805250	1	S	Gasket, Valve Cover
14	BS-807986	2	/P	Gasket, Cylinder Head
15	BS-805023	2	S	Gasket, Intake
16	BS-271983	1	S	Seal, Fill Plug
17	BS-805655	1	S	Gasket, Air Cleaner
18	BS-805054	1	S	Seal, Governor Shaft
19	BS-805049	1	S	Seal, Oil
20	BS-805379	1	S	Gasket, Breather
21	BS-805101	1	S	Seal, Oil
22	BS-807990	1	S	Gasket Set, Valve
23	BS-807688	1	S	Gasket Set, Breather
24	BS-808273	1	S	Overhaul Kit, Carburetor
25	BS-805545	1		Pin, Float Hinge
26	BS-805559	1	S	Plug, Welch
27	BS-805547	1	S	Valve, Fuel Inlet
28	BS-805541	1	S	Gasket, Carburetor Body
29	BS-805557	1		Collar, Throttle
30	BS-805543	1		Collar, Choke
31	BS-805553	1	S	Nozzle, Carburetor (Slow Speed)
32	BS-807723	1		Plug, Jet
33	BS-805549	1		Washer
34	BS-808293	1	S	Valve, Idle, Adjust
35	BS-805862	1	S	Cap, Limiter



Ref #	Part Number	Qty	S/P/F	Description
1	603-0211	1		Bracket, Grille LH
2	603-0212	1	S	Bracket, Grille RH
3	603-0583-0499	1	S	Bracket, Upper Hood
4	703-2396-0499	1	/P	Panel, RH Side
5	703-2397-0499	1	/P	Panel, LH Side
6	703-2398-0499	1	/P	Grille
7	703-2465	2	/P	Link, Short Hood
8	703-2466A	2	S	Link, Long Hood
9	703-2495-0499	1	/P	Screen, LH Panel
10	703-2496-0499	1	/P	Screen, RH Panel
11	703-2612	1		Guide, Hood (Mfg Date 6317 and Before)
12	710-0351	8	/P	Screw, Truss Mach Tapp, #10 x .50
13	710-0599	6	/P	Screw, Hex Wash Hd Tapp, 1/4 x .50
14	712-3027	8	S	Nut, Hex Flange Lock, 1/4-20
15	712-3087	2	/P	Nut, Wing, 1/4-20
16	723-3059	1	/P	Seal, Heat Baffle
17	726-0139	2	/P	Nut, U-Type Speed, #10
18	726-3047	6	S	Retainer, Push Nut (S/N 359000 and Below)
19	725-3257A	1	S	Headlight Assembly (Lens Glued to Reflector on Units Built After Mfg Date H018)
	759-3693	2	S	Bulb Assembly Only, Headlamp
	731-3138A	1	S	Lens, Cub Cadet
20	731-3150A	1	S	Reflector, Headlight
21	732-0334	4	S	Spring, Compression, .50 OD x .50 Lg
22	732-3116	1		Spring, Hood Latch (Mfg Date G317 and Before)
	732-0855	1	S	Spring, Hood Latch (Mfg Date H017 and After)
23	736-0175	8	S	Washer, Spring, .265 x .562 x .025
24	736-0400	2	S	Washer, Flat, .218 x .62 x .063
25	738-3141	2	S	Bolt, Shoulder, .31 Dia x .75 Lg
26	748-3055	4	S	Bushing, Tapered
27	759-3747-0499	1	S	Hood, Series 2000
28	777-1702	1		Graphic, Hood, RH
	777-1701	1		Graphic, Hood, LH (S/N 359000 and Below)
	777D02198	1	/P	Graphic, Hood, RH
	777D02199	1	/P	Graphic, Hood, LH (S/N 359001 and Above)
29	777-1709	1		Graphic, HDS 2165 (S/N 359000 and Below)
	777D00555	2		Graphic, HGS 2165 (S/N 359001 and Above)
30	777X40079	2	/P	Strip, Protective
31	777I20314	1	/P	Graphic, Warning HOT
32	779-3536	2	S	Script w/Studs, Cub Cadet (S/N 359000 and Below)



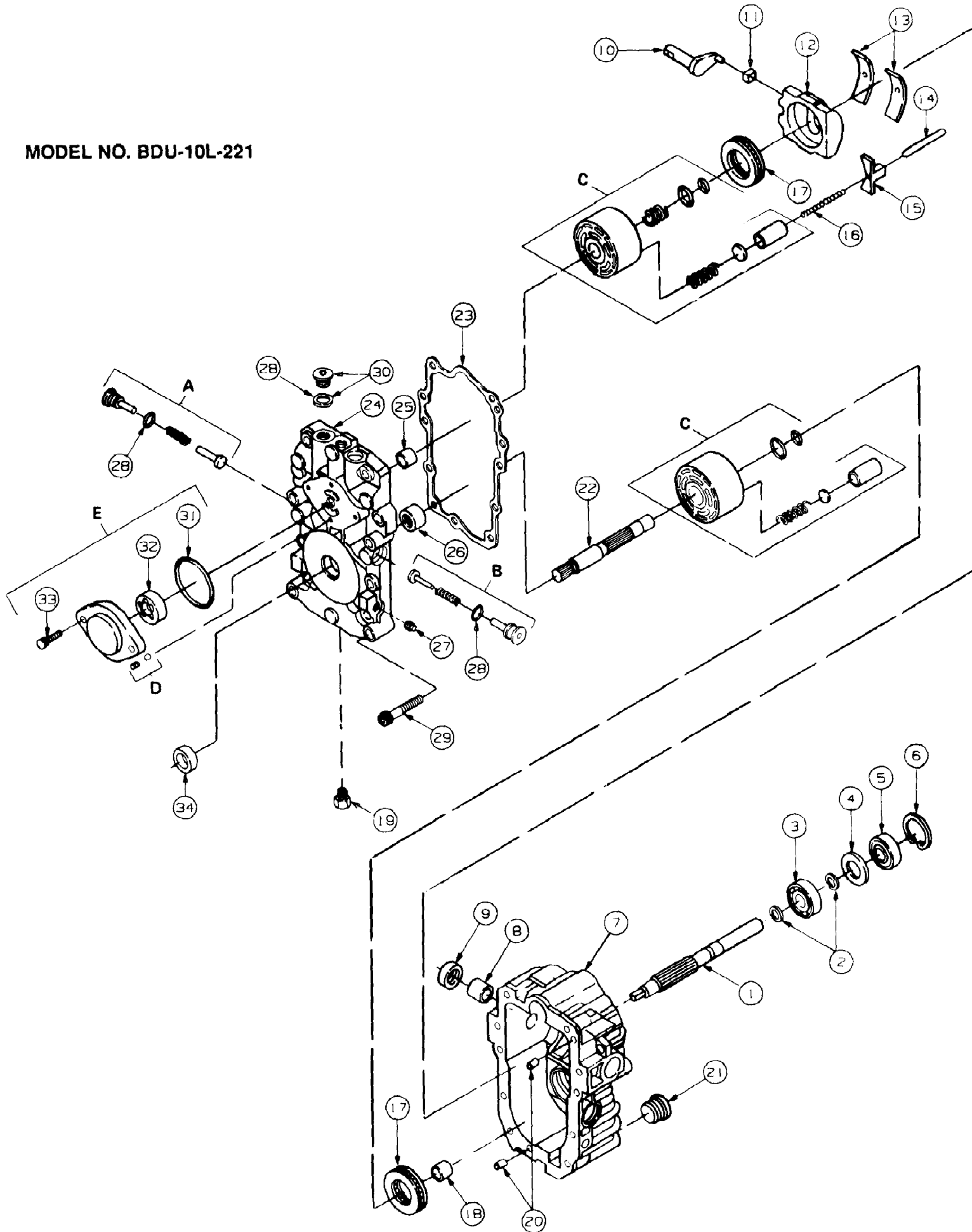
Ref #	Part Number	Qty	S/P/F	Description
1	611-3008	1		Axle Assy, LH, 11.9" Lg
2	716-3015	2		Ring, Inverted Retainer
3	721-3020A	2	S	Seal, Oil
4	741-3033A	2	S	Bearing
5	716-3018	2		Ring, External Retaining
6	619-3025	1		Housing, LH Axle
	759-3746	1		Sealant, Ultra Grey, 2 oz Tube
7	710-1008	16		Screw, Hex L-Wash Tapp, 3/8-16 x 1.88
8	727-3085	1	S	Dipstick, Oil
9	715-3045	4	S	Bushing, Dowel
10	619-3037B	1	S	Housing, LH Differential Replaces 619-3037 by also ordering: (2) 715-3045 dowel bushing; 710-1346 plug & 736-0600 washer
	759-3746	1		Sealant, Ultra Grey, 2 oz Tube
11	710-0606	2	/P	Screw, Hex Cap, 1/4-20 x 1.5
12	736-0463	4	S	Washer, Flat, .25 x .62 x .052
13	710-0788	15	/P	Screw, Hex Wash Hd Tapp, 1/4-20 x 1.0
14	737-0177	1	/P	Plug, 1/2-14 NPTF Used with 619-3037 LH differential housing
	710-1346	1	/P	Screw, Plug, M14 x 1.5 x .827 Used with 736-0600 Flat Washer for 619-3037B differential housing
15	715-3038	2		Pin, Slotted Spring, 7/16-1.0 Used with 619-3038 LH and RH differential housings
	715-3045	2	S	Bushing, Dowel Used with 619-3037B and 619-3038A LH and RH differential housings
16	741-0361	3	S	Bearing, Ball
17	750-3133	1		Spacer, .757 ID x 1.0 OD x 1.46
18	717-3388	1		Gear, 27T Drive
19	717-3374	1		Shaft, Drive
20	717-3347	1		Gear, 36T Bevel
21	717-3391	1		Gear, 16T Spur
22	750-3134	1		Spacer, .885 ID x 1.125 OD x 1.4
23	717-3387	1		Gear, 18T Shift
24	718-3039	1		Collar, Drive
25	732-3113	1		Spring, Compression, 1.015 ID x 1.6 Lg
26	711-3379A	1		Shaft, Shifter
27	741-3057	3	S	Bearing, Ball, .787 x 1.85 x .551
28	717-3392	1		Gear, 42T Spur
29	717-3346	1		Shaft, 9T Output
30	741-3037	2	S	Bearing, Ball
31	710-0151	4	/P	Screw, Hex Cap, 3/8-24 x 2.0
32	619-3013	2		Cover, Differential
33	736-0423	1		Washer, Flat, 1.0 x 1.56 x .010 Thk As required
34	736-0431	1	S	Washer, Flat, 1.0 x 1.56 x .015 Thk As required
35	736-0424	1	S	Washer, Flat, 1.0 x 1.56 x .020 Thk As required

2165 Tractor S/N 326,006 & Up
Hydro Transmission

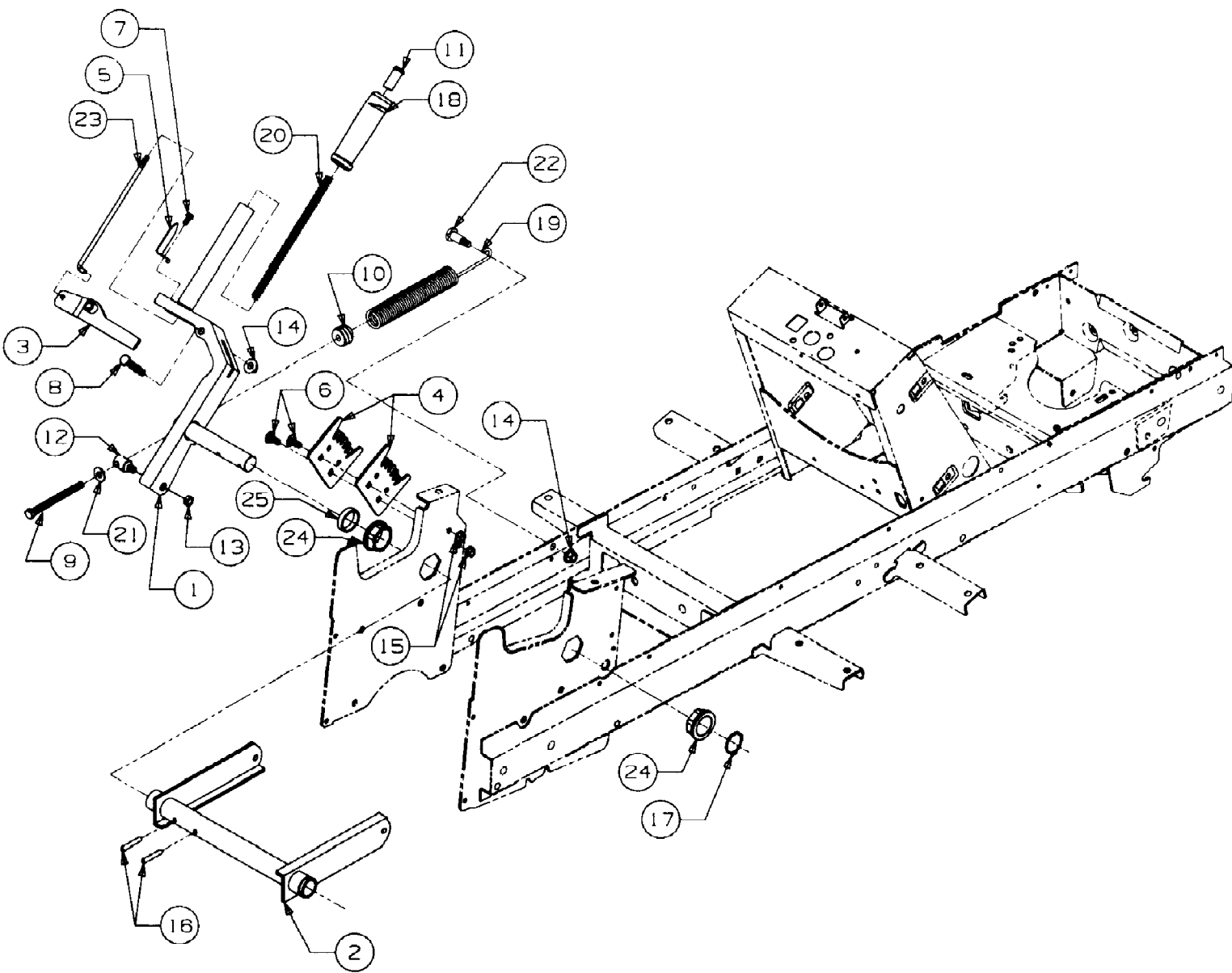
Page 49 of 75

Ref #	Part Number	Qty	S/P/F	Description
36	736-0420	1	S	Washer, Flat, 1.0 x 1.56 x .040 Thk As required
37	717-1159	1		Gear, 60T Bull
38	717-1119	2		Gear, 14T Differential Side
39	717-1190	4		Block, Differential Thrust
40	717-1120	4		Gear, 10T Differential Pinion
41	717-1178	2		Shaft, Cross
42	717-1173	1		Shaft, Cross, .50 OD x 3.485 Lg
43	712-3054	4	/P	Nut, Hex Lock, 3/8-24
44	721-3008	1	/P	O-Ring, 3/8 ID x 1/2 OD
45	618-3084	1	S	Yoke Assy, Shift (Includes Ref No. 44)
46	619-3036A	1		Housing, RH Differential Replaces 619-3036 by also ordering (2) 715-3045 Dowel Bushings.
	759-3746	1		Sealant, Ultra Grey, 2 oz Tube
47	712-0291	2	S	Nut, Hex Center Lock, 1/4-20
48	721-3029	1	S	Seal, Shift Shaft
49	761-3019	1		Drum, Brake
50	732-3077	1		Spring, Brake
51	761-3020	2	S	Shoe, Brake
52	732-0152	1		Spring, Compression
53	703-2191	1		Arm, Brake
54	618-3060	1	S	Plate, Brake
55	761-3028	1		Actuator, Brake Shoe
56	710-3262	1		Screw, Low Hd Cap, 3/8-16 x .75
57	611-3009	1		Axle Assy, RH, 15.6 Lg
58	619-3024	1		Housing, Axle - RH
	759-3746	1		Sealant, Ultra Grey, 2 oz tube
59	717-1180	1		Block, Differential Pinion

MODEL NO. BDU-10L-221



Ref #	Part Number	Qty	S/P/F	Description
A	HG-2510050	1	/P	Kit, Check Valve
B	HG-2510034	1	/P	Kit, Orificed Check Valve
C	HG-2513009	2	S	Kit, Cylinder Block
D	HG-2510011	1	/P	Kit, Charge Relief Valve
E	HG-2513027	1	/P	Kit, Charge Pump
1	HG-50185	1		Shaft, Pump
2	HG-2003016	2	/P	Ring, Retaining (Part used in Overhaul Kit P/N HG-2513013)
3	HG-2003043	1	S	Bearing, Ball
4	HG-2003018	1	/P	Spacer (Part used in Overhaul Kit P/N HG-2513013)
5	HG-9008000-0128	1	/P	Seal, Lip (Part used in Overhaul Kit P/N HG-2513013)
6	HG-2003052	1	/P	Ring, Retaining (Part used in Overhaul Kit P/N HG-2513013)
7	HG-2513036	1	/P	Housing Assy. (Includes 8, 14, & 18)
8	HG-2003009	1		Bearing, Journal
9	HG-9008000-0126	1	/P	Seal, Lip (Part used in Overhaul Kit P/N HG-2513013)
10	HG-2003005	1	/P	Arm, Trunnion
11	HG-2000015	1	/P	Guide, Slot
12	HG-2003087	1	/P	Swashplate
13	HG-2003023	2	S	Bearing, Cradle
14	HG-9004820-2536	1		Pin, Leveler
15	HG-2003091	1		Leveler, Swashplate
16	HG-2003092	1		Spring, Leveler
17	HG-2003044	2	S	Bearing, Thrust
18	HG-2003071	1		Bearing, Journal
19	HG-9005110-4400	1		Plug
20	HG-9004800-2506	2	/P	Pin
21	HG-9005110-8700	1	/P	Plug
22	HG-2003034	1		Shaft, Motor
23	HG-2003060	1	/P	Gasket, Center Section (Part used in Overhaul Kit P/N HG-2513013)
24	HG-2513037	1		Center Section Assy (Includes 25, 26)
25	HG-2003071	1		Bearing, Journal
26	HG-2003045	1		Bearing, Needle
27	HG-9005001-0600	1	/P	Plug, Pipe
28	HG-9004201-3700	3	/P	O-Ring (Part used in Overhaul Kit P/N HG-2513013)
29	HG-9007314-0808	8	/P	Screw, Socket Hd
30	HG-9005110-5600	2	/P	Plug w/Ring
31	HG-9004101-1340	1	/P	O-Ring (Part used in Overhaul Kit P/N HG-2513013)
32	HG-J1041008	1	S	Gerotor Assy
33	HG-9007375-0038	2		Screw, Socket Hd
34		1		Not Used In This Application
	HG-2513013	1	/P	Kit, Overhaul Seal

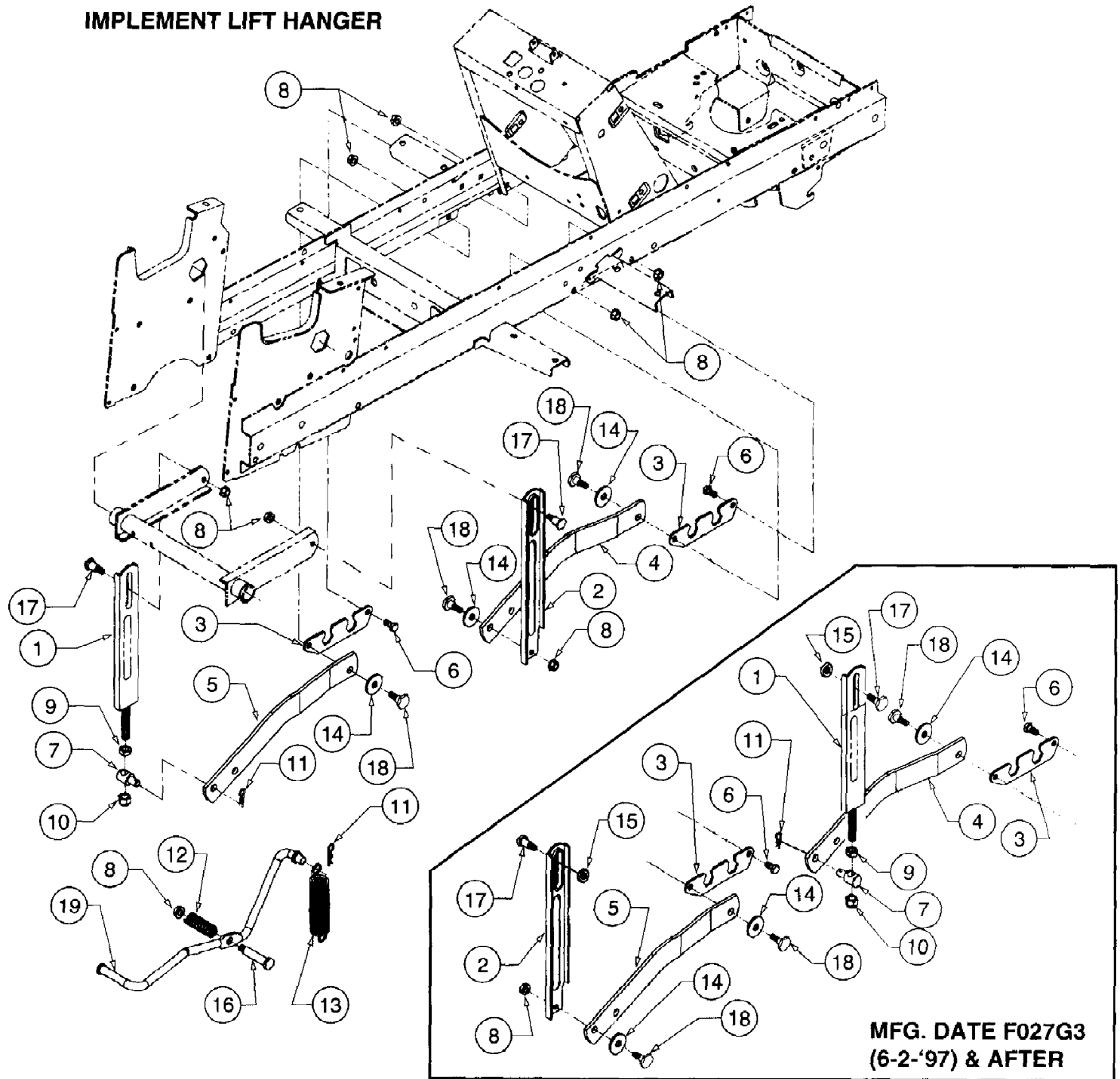


2165 Tractor S/N 326,006 & Up
Implement Lift Handle

Page 53 of 75

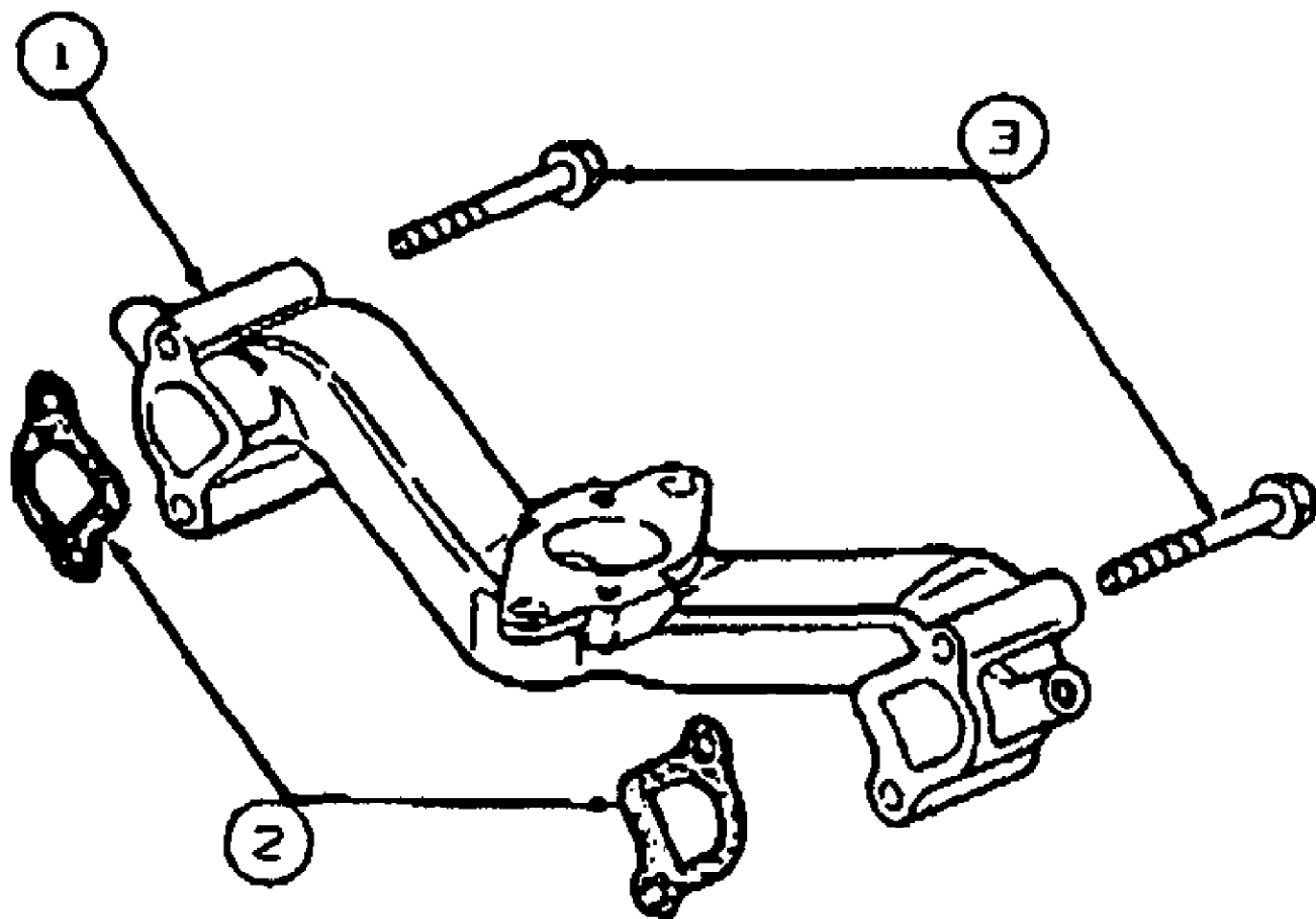
Ref #	Part Number	Qty	S/P/F	Description
1	603-0057A	1	S	Handle Assy, Lift
2	603-0059	1	S	Shaft Assy, Lift
3	603-0136	1		Fork, Lift
4	703-2239	2	S	Bracket, Lift Index
5	703-2558	1		Indicator, Lift Height
6	710-0451	2	/P	Bolt, Carriage, 5/16-18 x .75 Lg
7	710-0599	1	/P	Screw, Hex Wash Tapp, 1/4 x .50 Lg
8	710-3144	1	/P	Screw, Hex Cap, 3/8-16 x 2.0 Lg GR5
9	710-3279	1	/P	Screw, Hex Cap, 3/8-16 x 4.25 Lg GR5
10	711-0635	1	/P	Insert, Spring
11	711-0642A	1	/P	Button, Handle
12	711-3350	1		Ferrule, Adjustment
13	712-0262	1	/P	Nut, Hex Center Lock, Jam, 3/8-24
14	712-0431	2	S	Nut, Hex Flanged Lock, 3/8-16
15	712-3004A	2	/P	Nut, Hex Flanged Top Lock, 5/16-18
16	715-0114A	2	S	Pin, Spiral Spring, 1/4 Dia x 1.50 Lg
17	716-0116	1	/P	Ring, Snap, 1.25 Dia Shaft
18	731-3158	1	/P	Grip, Lift Handle
19	732-3093	1		Spring, Extension
20	732-3097	1		Spring, Compression
21	736-0267	1	S	Washer, Flat, .385 x .87 x .06 Thk
22	738-0145	1	S	Bolt, Shoulder
23	747-3175	1	S	Rod, Index
24	748-3051	2	S	Bearing, Hex Flange, 1.25 ID
25	750-3131	1		Spacer, 1.28 ID x 1.5 OD x .335 Lg

IMPLEMENT LIFT HANGER



**MFG. DATE F027G3
(6-2-'97) & AFTER**

Ref #	Part Number	Qty	S/P/F	Description
1	603-0058	1		Bracket, LH Hanger Moved to RH side Mfg. Date F027G3 (6-02-'97) & After
2	703-2234	1		Bracket, RH Hanger Moved to LH side Mfg. Date F027G3 (6-02-'97) & After
3	703-2804	2		Plate, Bearing Mounting
4	703-2832	1		Link, RH Lift
5	703-2833	1		Link, LH Lift
6	710-3000	2	S	Screw, Hex Cap, 3/8-16 x .75 GR5
7	711-3319	1	S	Ferrule, Adjustment
8	712-0431	8	S	Nut, Hex Flange Lock, 3/-16
9	712-3048	1	S	Nut, Hex Jam, 1/2-13 GR5
10	712-3083	1	/P	Nut, Hex Insert Lock, 1/2-13
11	714-0145	2	S	Pin, Internal Cotter
12	732-3094	1	S	Spring, Compression, .63 ID x 2.0
13	732-3120A	1	/P	Spring, Extension, 1.0 OD x 6.42 Lg, 43 Coils, Light Duty 46" Deck
	732-3126	1	S	Spring, Extension, .91 OD x 7.33 Lg, 46 Coils, Heavy Duty 48" Deck
14	736-3125	3	/P	Washer, Flat, .50 x 1.5 x .15 Mfg. Date F017G3 & Before
	736-0326	3	S	Washer, Flat, .51 x 1.0 x .125 Mfg. Date FO27G3 & After
15	736-3069	2		Washer, Flat, .531 x .875 x .15 Mfg. Date F027G3 & After
16	738-0129	1	/P	Bolt, Shoulder
17	738-0430	2		Bolt, Shoulder
18	738-0507B	3	S	Bolt, Shoulder
19	747-3236	1	S	Rod, RH Lift Assist



2165 Tractor S/N 326,006 & Up
Intake Manifolds

Page 57 of 75

Ref #	Part Number	Qty	S/P/F	Description
1	BS-805772	1		Manifold Assy
2	BS-805023	2	S	Gasket, Intake Manifold
3	BS-805006	4	S	Screw, Sems

13A-268-100

13A-268-100

LABEL SPECIFICATIONS SHEET

IND. PLASTICS BROWNSVILLE INDIANOLA SHELBY WILLARD OTHER _____
 CLEVELAND CANADA MARTIN TUPELO PURCHASING AUDIT

MODEL NO.	13A-268-100	DATE	DEC.11,96
CUSTOMER	CUB CADET	HP/CUT	16.0/46 or 48

777-1716



777-2656



777-4571
CENTER ON BACK OF SEAT



777-1712

STARTING INSTRUCTIONS

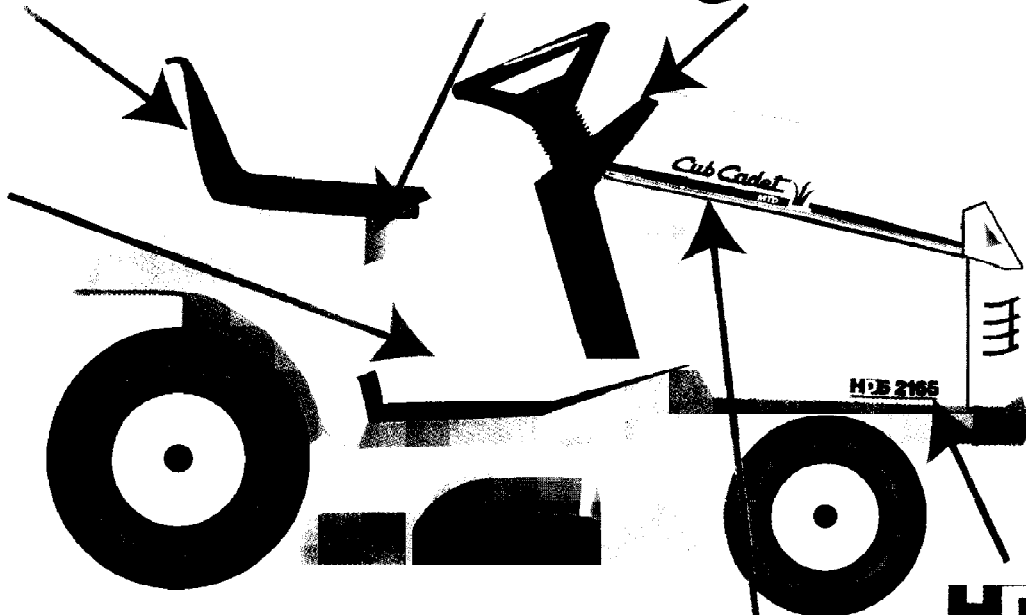
1. BE SURE THE MOWER IS ON A FLAT SURFACE.
2. BE SURE THE MOWER IS IN PARK.
3. BE SURE THE MOWER IS IN NEUTRAL.
4. BE SURE THE MOWER IS IN NEUTRAL.
5. BE SURE THE MOWER IS IN NEUTRAL.
6. BE SURE THE MOWER IS IN NEUTRAL.
7. BE SURE THE MOWER IS IN NEUTRAL.
8. BE SURE THE MOWER IS IN NEUTRAL.
9. BE SURE THE MOWER IS IN NEUTRAL.
10. BE SURE THE MOWER IS IN NEUTRAL.

STOPPING INSTRUCTIONS

1. BRING THE PTO AND BELT PULLEY TO A STOP.
2. HOLD THE PTO CONTROL TO THE POSITION AND TURN KEY OFF.

WARNING

- AVOID REVERSE SLIPPERY OR OILY.
- READ OPERATOR MANUAL AND ALL WARNING LABELS BEFORE USING MOWER.
- DO NOT OPERATE MOWER ON SLOPES.
- AVOID EXCESSIVE SPEEDS.
- DO NOT OPERATE MOWER WHERE IT COULD BE A HAZARD.
- IF MOWER STOPS STOP MOWER, STOP PTO AND BACK DOWN HILL SLOWLY.
- DO NOT OPERATE MOWER ON SLOPES AND AROUND.
- NEVER CARRY CHILDREN.
- LOOK DOWN AND AROUND BEFORE AND WHILE OPERATING.
- KEEP SAFETY DEVICES (GUARDS, BELLS, ETC.) WORKING IN PLACE AND WORKING.
- REMOVE OBJECTS THAT COULD BE THROWN BY THE MOWER.
- KNOW LOCATION AND FUNCTION OF ALL CONTROLS.
- BE SURE THE MOWER IS IN PARK AND PTO IS STOPPED BEFORE PLACING FEET ON REAR PLATES.
- BEFORE LEAVING OPERATOR'S POSITION, BRINGING PTO, ENGAGE BRAKE LOCK, SHUT OFF ENGINE AND REMOVE KEY.



777-4485

TO BE PLACED WITH # 777-4542 & # 777-4511



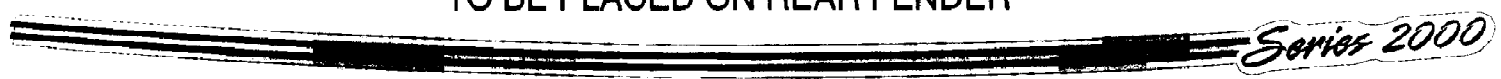
777-4542
LEFT SIDE OF HOOD

777-4511
RIGHT SIDE OF HOOD



777-4540
HDS 2165

777-1915A
TO BE PLACED ON REAR FENDER



REVISIONS	DATE

Ref #	Part Number	Qty	S/P/F	Description
777-1712	777-1712	1	S	LABEL-FRAME COVER
777-4571	777-4571	1	S	LABEL-CUB W/SPRIG
777-1716	777-1716	1		LABEL-SEAT ADJ RELEA
777-2656	777-2656	1	S	LABEL-DASH
777-4540	777-4540	1		LABEL-HDS 2165
777-4511	777-4511	1	S	LABEL-CUB BY MTD RH
777-4485	777-4485	1		LETTERS W/SPRIG-CUB
777-4542	777-4542	1		LABEL-CUB BY MTD LH
777-1915A	777-1915A	1	S	LABEL-REAR FENDER

PAGE 2 OF 2

13A-268-100

13A-268-100

LABEL SPECIFICATIONS SHEET

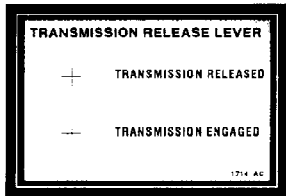
IND. PLASTICS BROWNSVILLE INDIANOLA SHELBY WILLARD OTHER _____
 CLEVELAND CANADA MARTIN TUPELO PURCHASING AUDIT

MODEL NO.	13A-268-100	DATE	DEC.11,96
CUSTOMER	CUB CADET	HP/CUT	16.0/46 or 48

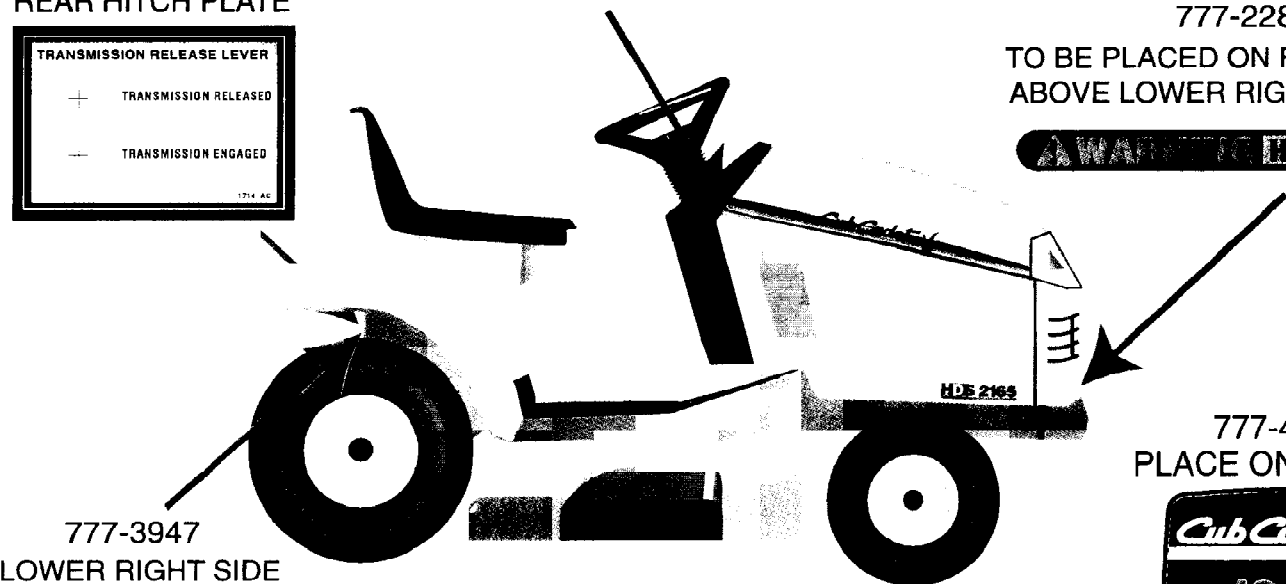
777-2276A
TO BE PLACED ON UPPER PART
OF SIDE PANEL - BOTH SIDES
(COVERED BY HOOD SIDE)



777-1714
UPPER RIGHT SIDE
REAR HITCH PLATE



777-2283
TO BE PLACED ON FRONT GRILL
ABOVE LOWER RIGHT OPENING



777-3947
LOWER RIGHT SIDE
REAR HITCH PLATE

777-4823
PLACE ON ENGINE



CAUTION
• UNDER SPRING TENSION
• HOLD LEVER SECURELY
• REFER TO OPERATOR'S MANUAL

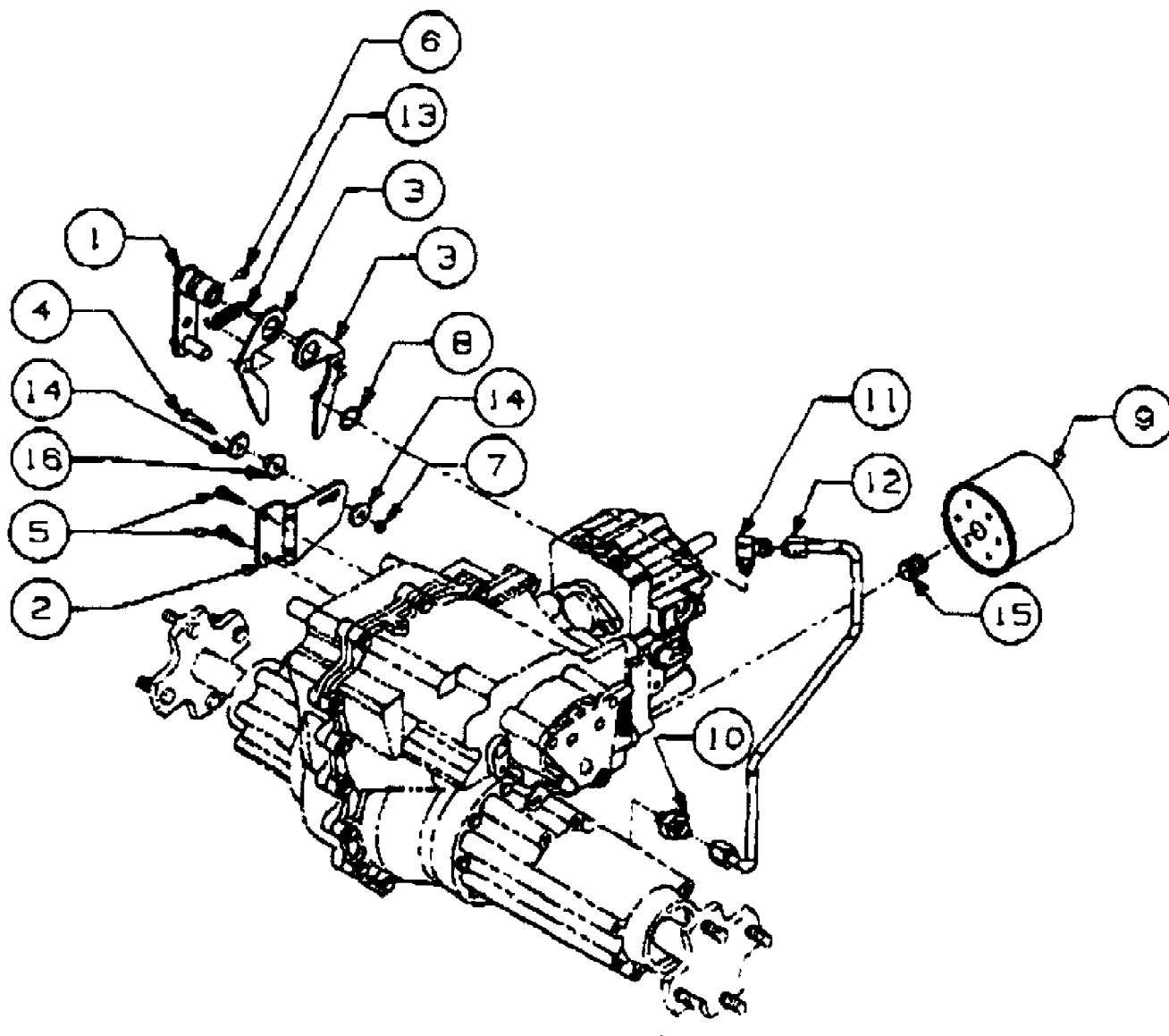
LABEL # 777-2456 I.D. PLATE
LABEL NOT SHOWN TO BE
PLACED ON REAR LEFT
SIDE OF DECK

LABEL # 777-2041 "MADE IN
THE USA" LABEL NOT SHOWN
CENTER ON BACK OF SEAT
UNDER #777-4571

LABEL # 777-6181 DATE/CODE LABEL
NOT SHOWN TO BE PLACED ON LEFT
SIDE OF FRAME UNDER HOOD SIDE
AND LEFT REAR OF DECK
(NEXT TO 777-5371)

LABEL # 777-5371 MODEL/SERIAL #
LABEL NOT SHOWN TO BE PLACED
ON LEFT SIDE OF FRAME UNDER
HOOD SIDE AND LEFT REAR OF
DECK (NEXT TO 777-6181)

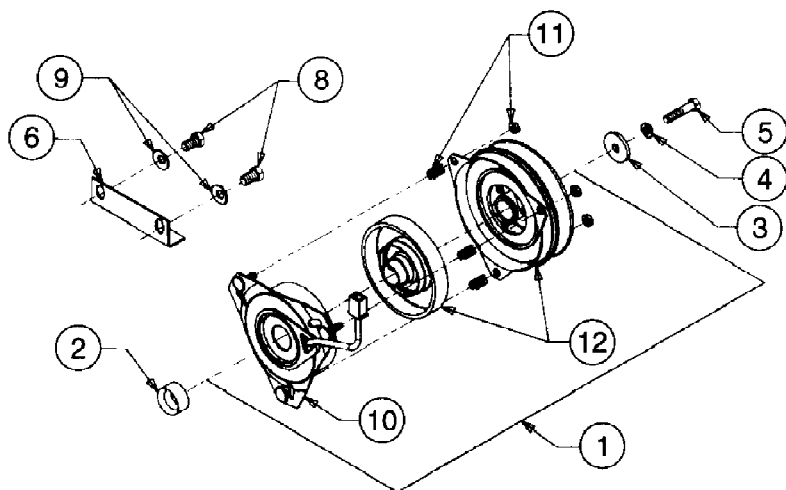
Ref #	Part Number	Qty	S/P/F	Description
777-3947	777-3947	1	S	GRAPHIC-TENSION LEVER
777-1714	777-1714	1		GRAFIC-RELEASE LEVER
777-2276A	777-2276A	1	S	STRIP, PROTECTIVE PO
777-2283	777-2283	1	S	GRAPHIC,WARNING HOT
777-4823	777-4823	1		LABEL-16HP V-TWIN
777-2041	777-2041	1	S	GRAFIC-MADE IN USA
777-5371	777-5371	1		LABEL-MODEL/SERIAL #
777-2456	777-2456	1		LABEL-I.D. PLATE
777-6181	777-6181	1		LABEL-DATE/CODE



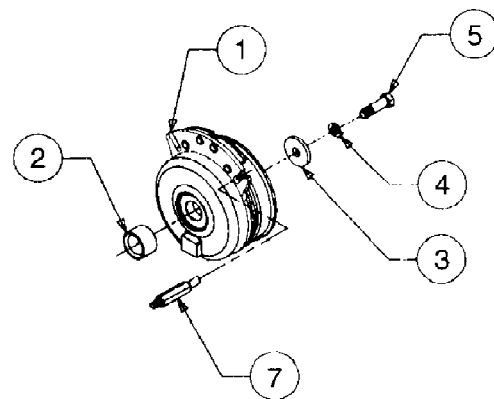
2165 Tractor S/N 326,006 & Up
 Neutral Linkage, Hydraulic Pickup And Return Tubes

Ref #	Part Number	Qty	S/P/F	Description
1	603-0160	1		Arm Assy, Control
2	703-2440	1		Bracket, Hydro Neutral
3	703-2441	2		Arm, Neutral
4	710-0106	1	/P	Screw, Hex Cap, 1/4-20 x 1.25 Lg
5	710-0788	2	/P	Screw, Hex Wash TT-Tap, 1/4-20 x 1.0 Lg
6	710-3242	1		Screw w/Patch, Set
7	712-0324	1	/P	Nut, Hex Top Lock, 1/4-20
8	716-0111	1	/P	Ring, Snap, .875 Shaft
9	723-3014	1	S	Filter, Oil
10	727-3002	1	S	Connector, Tube 37 Deg w/O-ring
	721-3001	1	/P	O-Ring, 3/8 OD Tube
11	727-3086	1		Elbow, Adjustable w/O-Ring
	721-3002	1	/P	O-Ring, 1/4 OD Tube
12	727-3088	1		Tube, Pickup
13	732-3119	1	S	Spring, Extension, .50 OD x 1.97 Lg
14	736-0176	2	S	Washer, Flat, .25 x .93 x .120 Thk
15	737-3022	1	S	Nipple, Oil Filter
16	750-0918	1		Spacer, Centering

MFG. DATE B027G3 & BEFORE



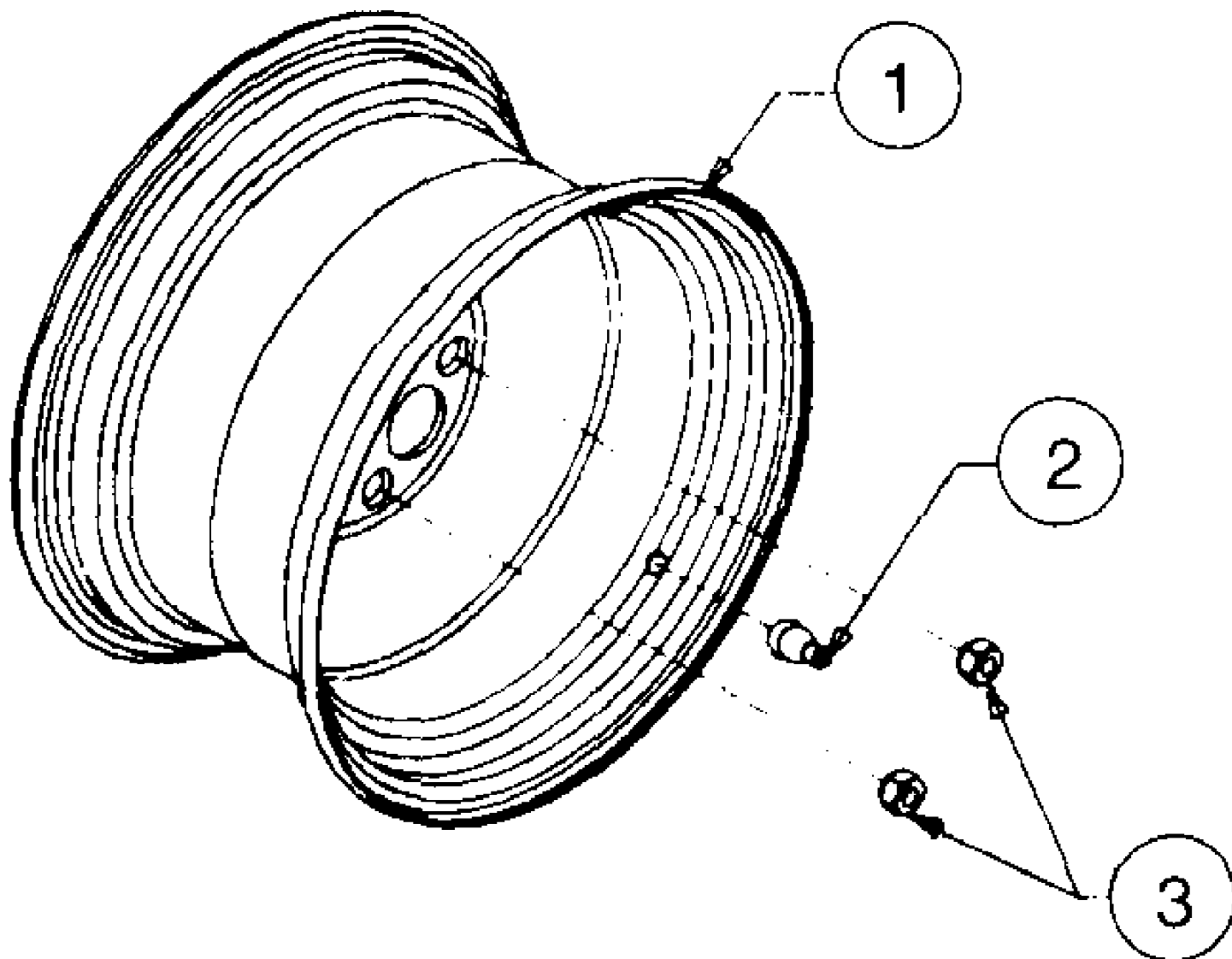
MFG. DATE B037G3 & AFTER



2165 Tractor S/N 326,006 & Up
PTO Clutch

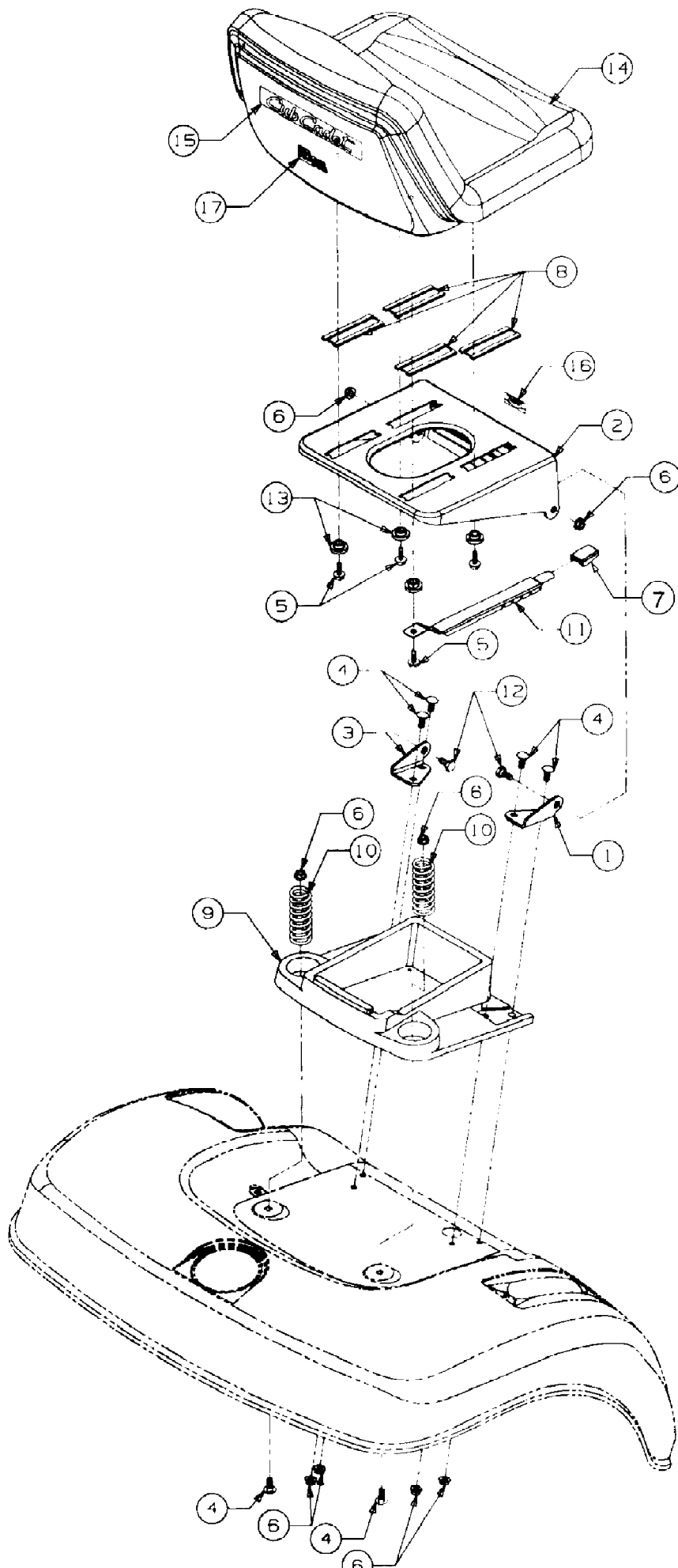
Page 65 of 75

Ref #	Part Number	Qty	S/P/F	Description
1	717-3389	1	S/F	Clutch Assy, PTO CVX Style - Mfg. Date B027G3 & Before (Includes Ref No 10, 11 & 12)
	717-3446	1	S	Clutch Assy, PTO CMS Style - Mfg. Date B037G3 & After
2	711-3179	1	S	Spacer
3	736-3082A	1	/P	Washer, Flat, .45 x 1.5 x .172
4	736-0169	1	S	Washer, Lock, 3/8
5	710-0539	1	/P	Screw, Hex Cap, 3/8-24 x 1.75 GR5 Mfg. Date B027G3 & Before
	710-1044	1	/P	Screw, Hex Cap, 3/8-24 x 1.5 GR8 Mfg. Date B037G3 & After
6	703-1986A	1	S	Bracket, Torque Mfg. Date B027G3 & Before
7	711-1197	1	S	Stud, Clutch Stop Mfg. Date B037G3 & After
8	710-3030	2		Screw, Hex Cap Mfg. Date B027G3 & Before
9	736-0407	2		Washer, Bell, .45 x 1.0 x .062 Mfg. Date B027G3 & Before
10	759-3694	1	S	Field Assy - Mfg. Date B027G3 & Before
11	759-3697	1		Clutch Hardware (3 Hex Nuts; 3 Springs) Mfg. Date B027G3 & Before
12	759-3739	1	S	Kit, Armature and Rotor Mfg. Date B027G3 & Before

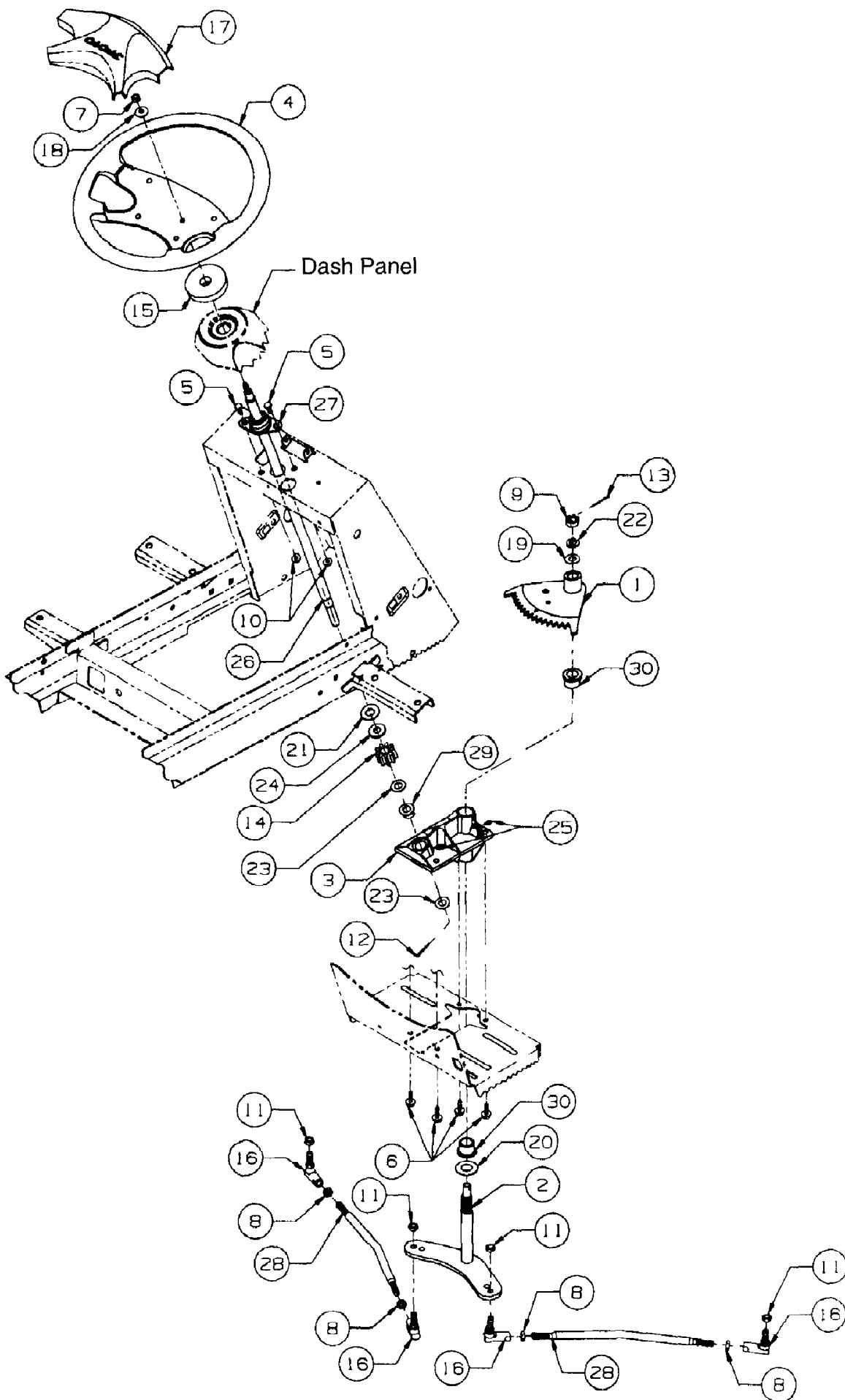


2165 Tractor S/N 326,006 & Up
Rear Wheel

Ref #	Part Number	Qty	S/P/F	Description
	734-3106	2	S	Tire, Cub Tread, 23 x 9.5 x 12 (S/N 359000 & Below)
	734-3190	2	S	Tire, Cub Tread, 23 x 9.5 x 12 (S/N 359001 & Above)
1	634-3014-0499	2	S	Rim Assembly, Rear (S/N 359000 & Below)
	634-3178-0499	2	S	Rim Assembly, Rear (S/N 359001 & Above)
2	712-3050	8	/P	Nut, Lug, 7/16-14
3	734-0255	2	S	Valve, Tubeless Air



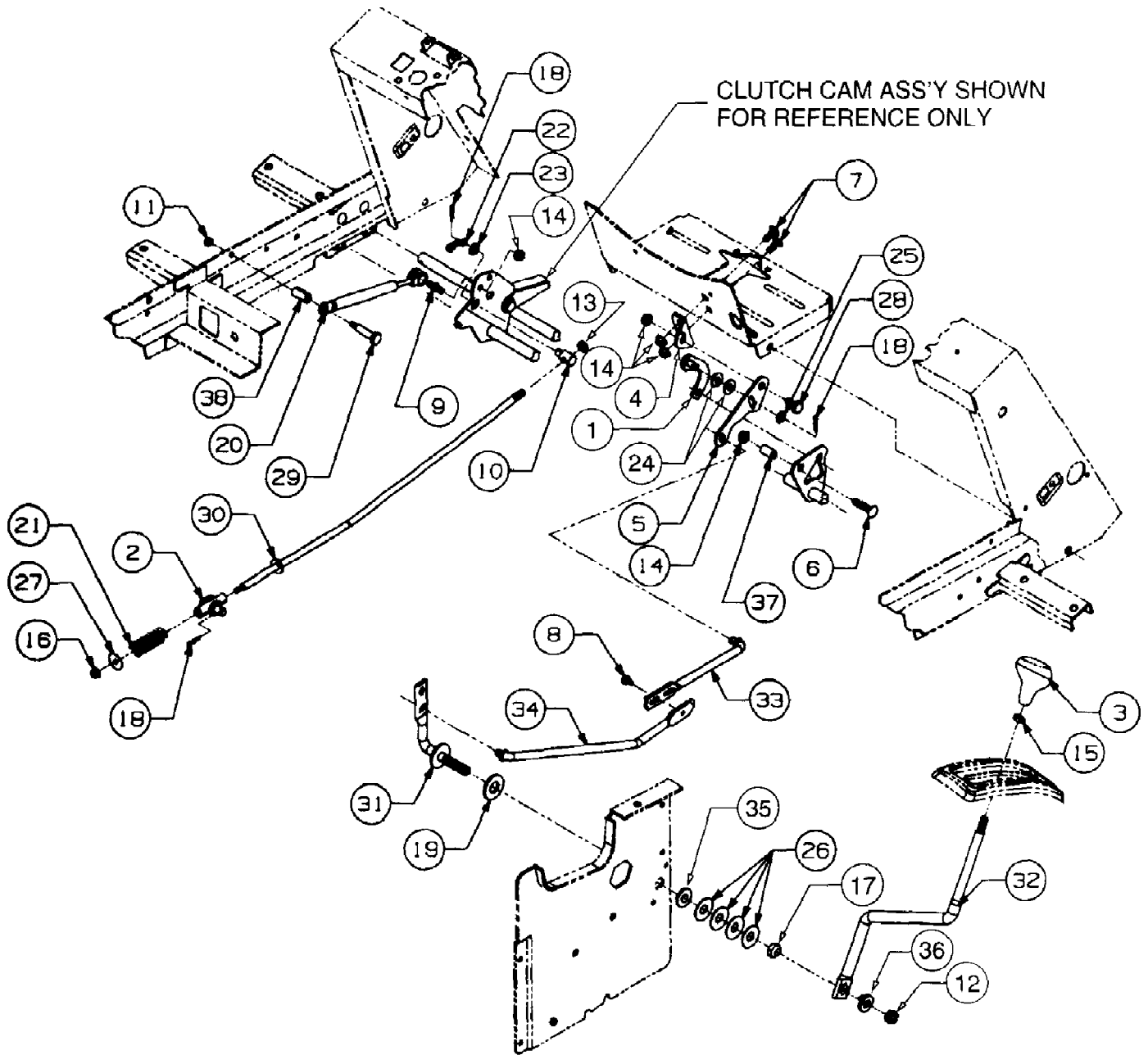
Ref #	Part Number	Qty	S/P/F	Description
1	703-2394-0498	1		Bracket, RH Seat Pivot
2	703-2395-0498	1	S	Seat, Base
3	703-2477-0498	1	S	Bracket, LH Seat Pivot
4	710-0451	6	/P	Bolt, Carriage, 5/16-18 x .75
5	710-1260	4	S	Screw, Hx Wsh Hd Tap 5/16-18 x .75
6	712-3004A	8	/P	Nut, Hex Flange Lock, 5/16-18
7	720-0190	1	S	Knob, Seat Adjuster
8	731-3154	4		Slide, Seat
9	731-3162	1	S	Tray, Tool
10	732-3080	2	S	Spring, Comp, 1.9 OD x 2.4 Lg
11	732-3098	1		Adjuster, Seat
12	738-0140	2	S	Bolt, Shoulder
13	738-0372	4	S	Spacer, Shoulder
14	757-3004	1	S	Seat, High Back
15	777-1713	1	S	Graphic, Seat Back Script (S/N 359000 & Below)
	777D00550	1	S	Graphic, Seat Back w/MTD Logo
	777D02200	1	S	Graphic, Seat Back w/out MTD Logo
16	777D20310	1		Graphic, Seat Adjuster
17	777D01782	1	/P	Graphic, Made in USA



2165 Tractor S/N 326,006 & Up
Steering

Page 71 of 75

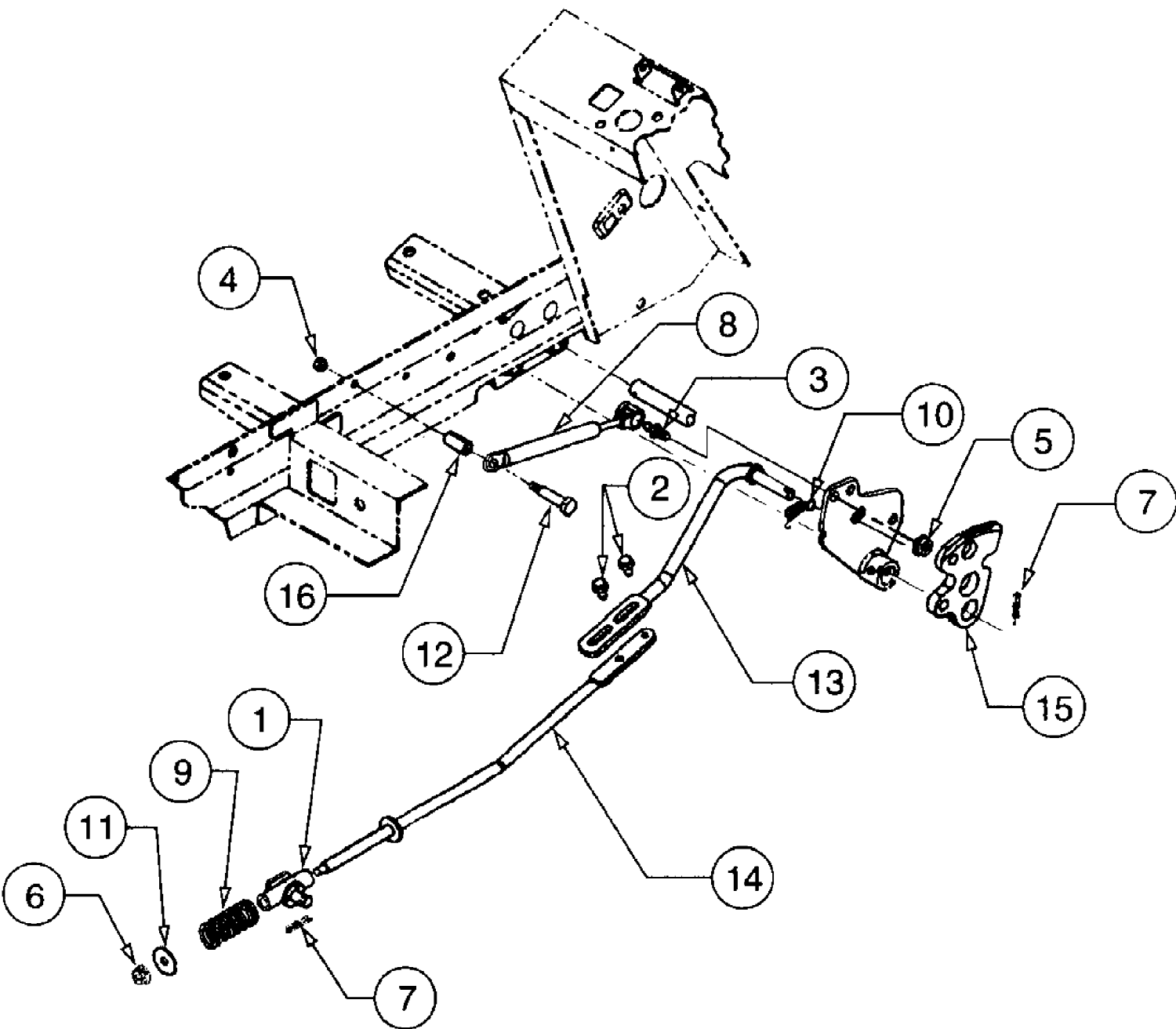
Ref #	Part Number	Qty	S/P/F	Description
1	603-0250	1	/P	Segment Assy, 1ST Steering
2	603-0064	1		Arm Assy, Lower Steering
3	603-0236	1	S	Housing Assy, (Incl. 25, 29, 30)
4	631-0005	1	S	Wheel, Steering
5	710-0751	2	/P	Screw, Hex Cap, 1/4-20 x .62, GR5
6	710-1260	4	S	Screw, Hx Wsh Hd-TPTT, 5/16-18 x .75
7	712-0237	1	S	Nut, Hex Center Lock, 5/16-24
8	712-3001	4	S	Nut, Hex Jam, 3/8-24 GR5
9	712-3012	1	S	Nut, Hex Slotted, 1/2-20 GR5
10	712-3027	2	S	Nut, Hex Flange Lock, 1/4-20
11	712-3054	4	/P	Nut, Hex Lock, 3/8-24 GR5
12	714-0115	1	S	Pin, Cotter, 1/8 Dia x 1
13	714-3004	1		Pin, Cotter, 3/32 Dia x 1.25
14	717-3382	1		Pinion, Steering
15	722-3019	1		Gasket, Steering
16	723-0156	4	S	Joint, Ball, 3/8-24
17	731-3139	1		Insert, Steering Wheel
18	736-0242	1	/P	Washer, Bell, .340 x .88 x .06 Thk
19	736-0272	1	S	Washer, Flat, .510 x 1 x .06 Thk
20	736-0351	1	S	Washer, Flat, .760 x 1.5 x .03 Thk
21	736-0355	1	/P	Washer, Flat, .56 x 1 x .04 Thk
22	736-0921	1	S	Washer, Lock, 1/2
23	736-3013	2	S	Washer, Flat, .531 x 1 x .027 Thk
24	736-3132	1		Wshr, Rubber Flat, .50 x 1.12 x .125 Thk
25	737-3000	2	S	Fitting, Grease, 3/16 Drive Type
26	738-3105	1		Shaft, Steering
27	741-3025	1		Bearing, Flange
28	747-3171	2		Rod, Tie
29	748-0108	1	S	Bearing, Flange, .503 ID
30	748-3007A	2	S	Bearing, Bronze Flange, .75 ID



2165 Tractor S/N 326,006 & Up
Transmission Controls Serial Number 359,000 And Below

Page 73 of 75

Ref #	Part Number	Qty	S/P/F	Description
1	603-0252	1		Bracket, Cruise Return
2	603-0272	1		Pivot Assy, Sleeve
3	631-0009	1	S	Knob, Shifter
4	703-2488	1		Bracket, Cruise Pivot
5	703-2635	1		Cam, Hydro Cruise
6	710-0262	1	/P	Bolt, Carriage, 5/16-18 x 1.5
7	710-0451	2	/P	Bolt, Carriage, 5/16-18 x .75
8	710-0599	1	/P	Screw, Hex Wash Hd Tap 1/4-20 x .50
9	710-3170	1		Screw, Ball, 5/16-18
10	711-3397	1		Ferrule, Adjustment
11	712-0271	1	/P	Nut, Hex Sems, 1/4-20
12	712-3053	1	S	Nut, Hex Top Lock, 1/2-20
13	712-3001	1	S	Nut, Hex Jam, 3/8-24 GR5
14	712-3004A	5	/P	Nut, Hex Flange Lock, 5/16-18
15	712-3008	1	S	Nut, Hex Jam, 3/8-16 GR5
16	712-3027	1	S	Nut, Hex Flange Lock, 1/4-20
17	712-0333	1	S	Nut, Hex, 1/2-20
18	714-0104	3	S	Pin, Internal Cotter
19	723-3013	1	S	Washer Friction
20	727-3090	1	/P	Cylinder, Damper
21	732-3094	1	S	Spring, Compression, .63 ID x 2.0
22	732-3118	1		Spring, Extension, .38 OD x 1.44
23	736-0185	1	S	Washer, Flat, .406 x .75 x .063
24	736-0262	2	/P	Washer, Flat, .375 x .870 x .090
25	736-0275	1	S	Washer, Flat, 5/16
26	736-3022	4	S	Washer, Bell
27	736-3092	1	/P	Washer, Flat, .265 x 1.0 x .03 Hd
28	738-0140	1	S	Bolt, Shoulder, .437 Dia x .180 Lg
29	738-0560	1	S	Bolt, Shoulder, .347 Dia x 1.375
30	747-3234	1		Rod, Hydro Adjustment
31	747-3251	1		Rod, Shift
32	747-3252	1		Rod, Gear Selector
33	747-3257	1		Link, Front Hydro Shifter
34	747-3258	1		Link, Rear Hydro Shifter
35	748-3057	1		Bushing, Shoulder
36	748-3058	1	S	Hub, Shift
37	750-0252	1	S	Spacer, .377 ID x .50 OD x .830
38	750-0434	1	/P	Spacer Tubing .375 x .52 x 1.04



2165 Tractor S/N 326,006 & Up
 Transmission Controls Serial Number 359,001 And Above

Ref #	Part Number	Qty	S/P/F	Description
1	603-0272	1		Pivot Assembly
2	710-0599	2	/P	Screw, Hex Wash Hd Tapp 1/4-20 x .5
3	710-3170	1		Screw, Ball, 5/16-18 x .56
4	712-0271	1	/P	Nut, Hex Sems, 1/4-20
5	712-3004A	1	/P	Nut, Hex Flange Lock, 5/16-18 GR5
6	712-3027	1	S	Nut, Hex Flange Lock, 1/4-20
7	714-0104	2	S	Pin, Internal Cotter
8	727-3090	1	/P	Cylinder, Damper
9	732-3094	1	S	Spring, Compression, .63 ID x 2.0 Lg
10	732-3118	1		Spring, Extension, 3/8 OD x 1.44
11	736-3092	1	/P	Washer, Flat, .265 x 1.0 x .030
12	738-0560	1	S	Bolt, Shoulder, .374 Dia x 1.375
13	747-3304	1		Rod, Front Control
14	747-3309	1		Rod, Rear Hydro Control
15	748-3070	1		Plate, Cruise
16	750-0434	1	/P	Spacer, Split Tubing, .375 ID x 1.04